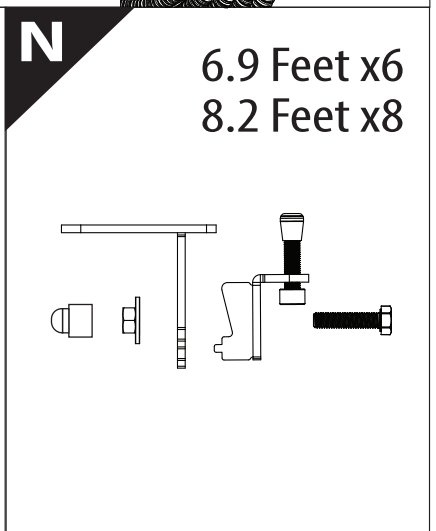
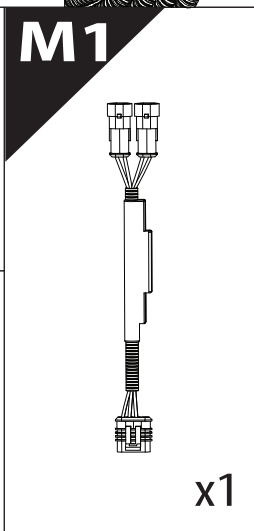
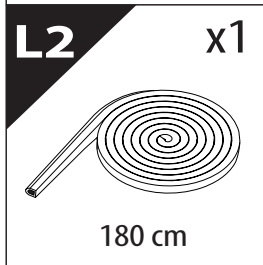
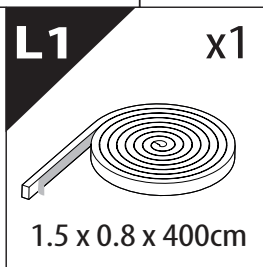
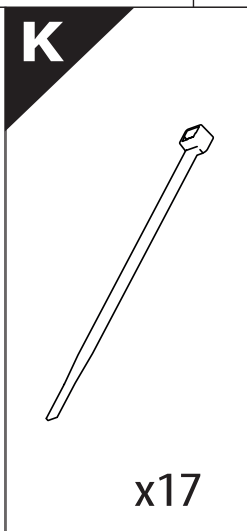
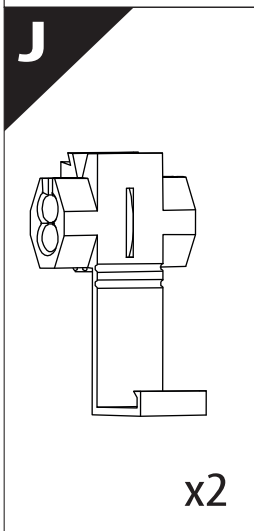
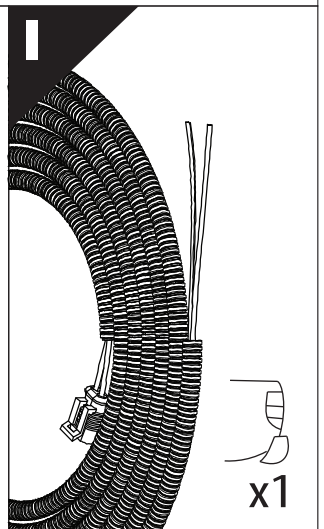
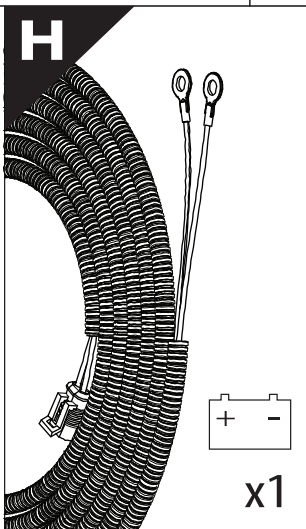
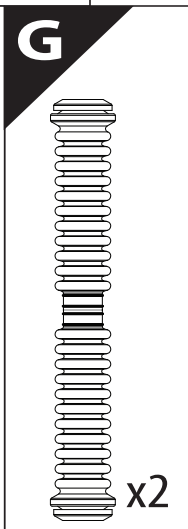
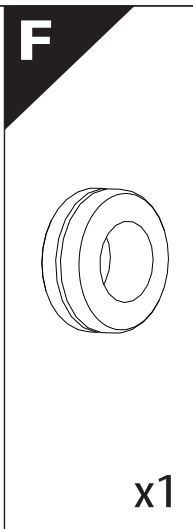
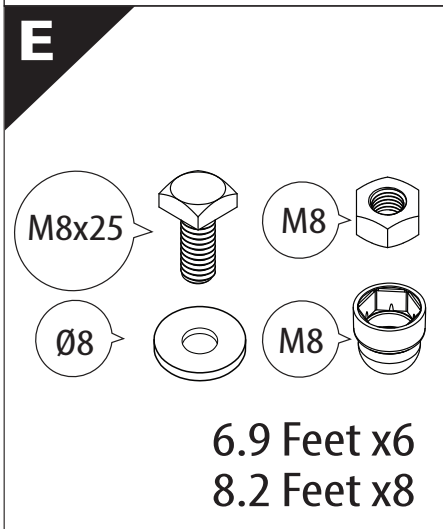
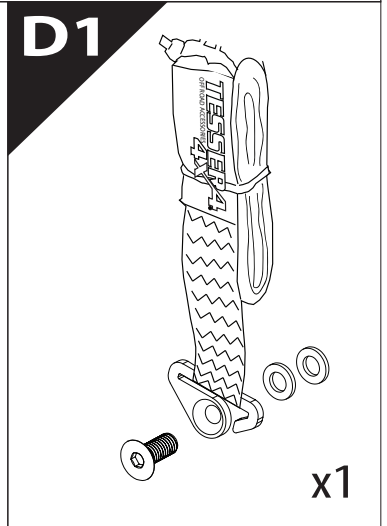
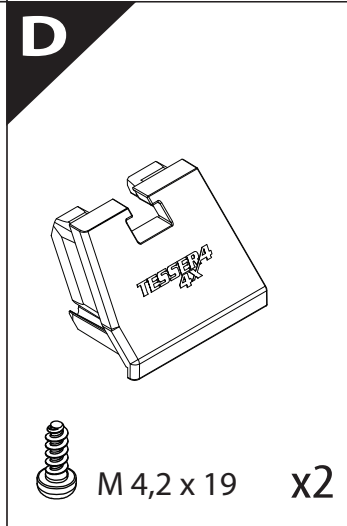
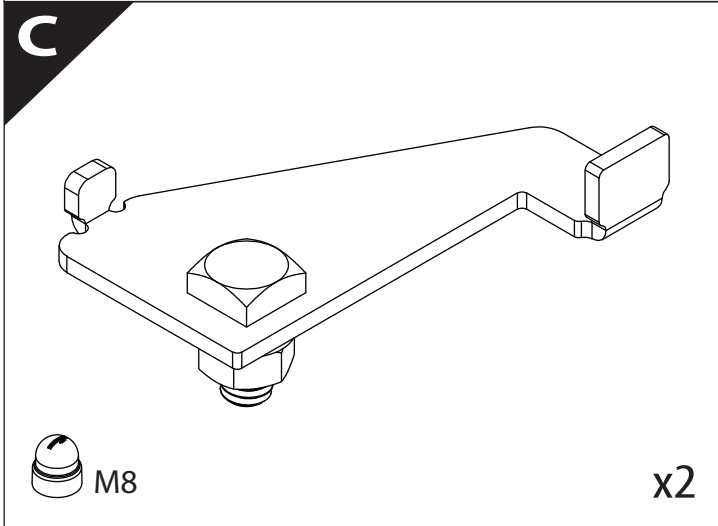
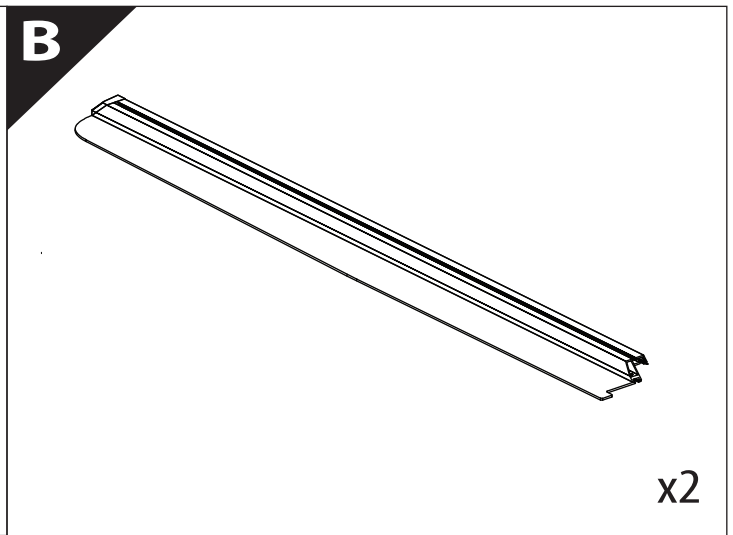
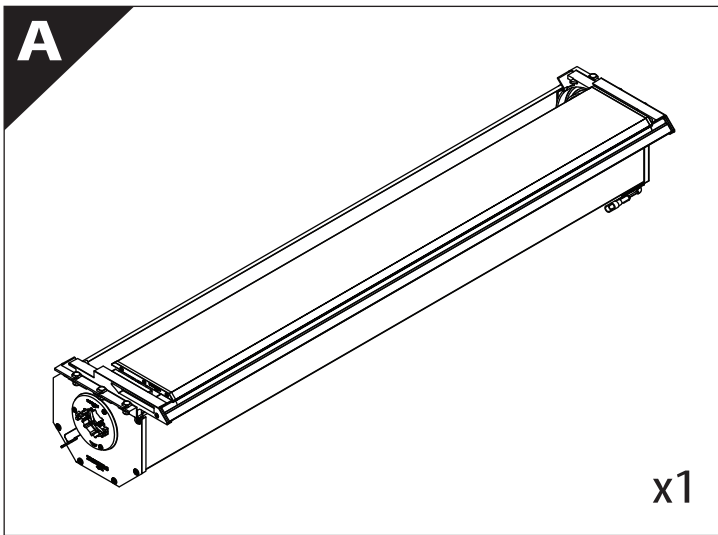


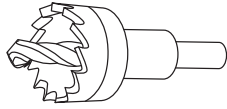


## Installation Manual

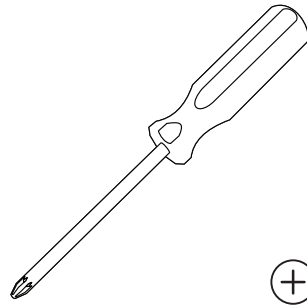
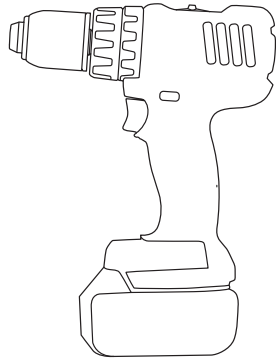
PART NUMBER(S)	Model Year
TESS 1437 ROLL	GMC Sierra 2500 / 3500 2020+
TESS 14371 ROLL	
Feet	Installation Time / Weight
6.9 Feet & 8.2 Feet	40-60 minutes / 53-57 kg



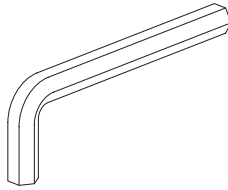
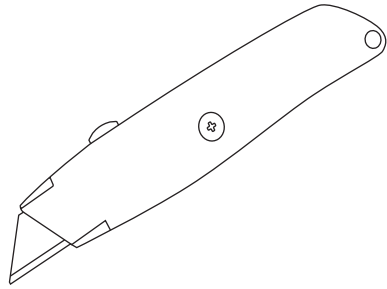
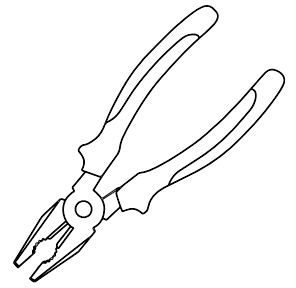




Ø 25 mm

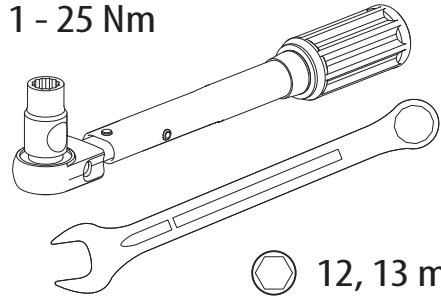


+



4 mm

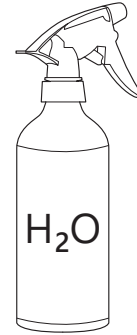
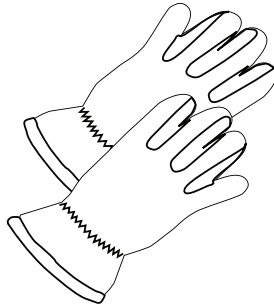
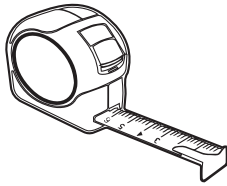
1 - 25 Nm



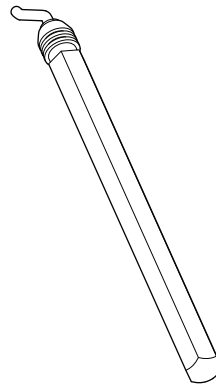
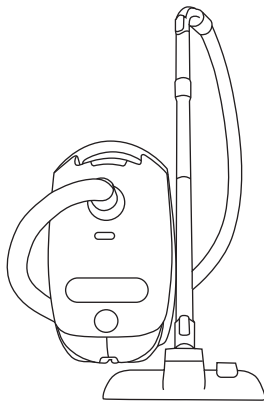
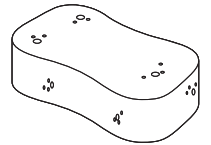
12, 13 mm



ACETONE



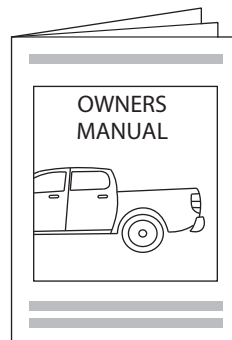
H<sub>2</sub>O



ANTI-RUST

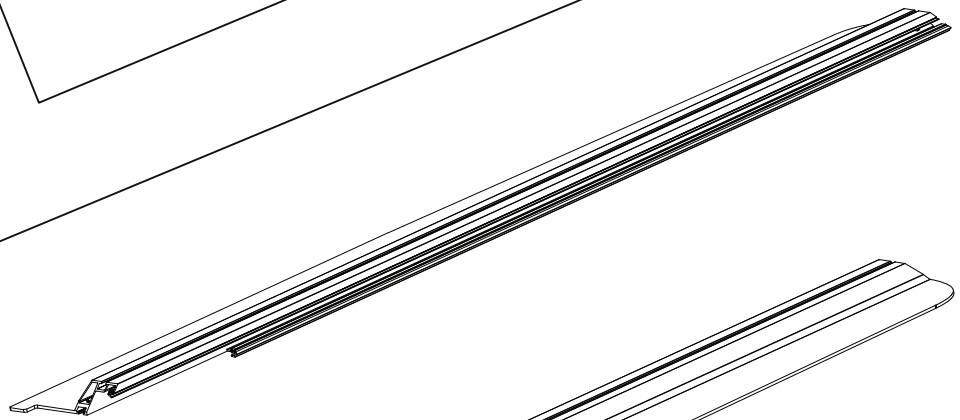
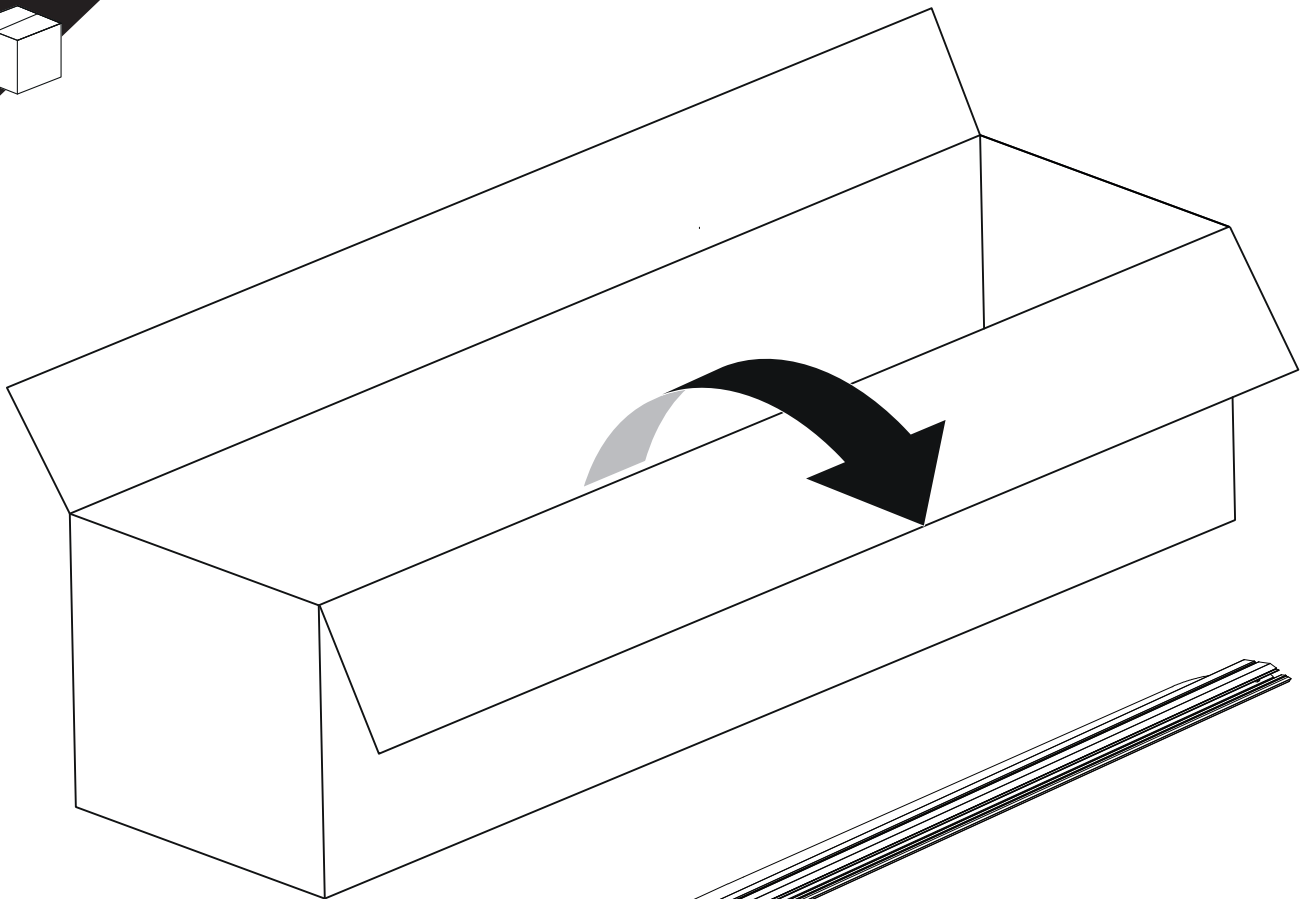


INSTALLATION  
MANUAL

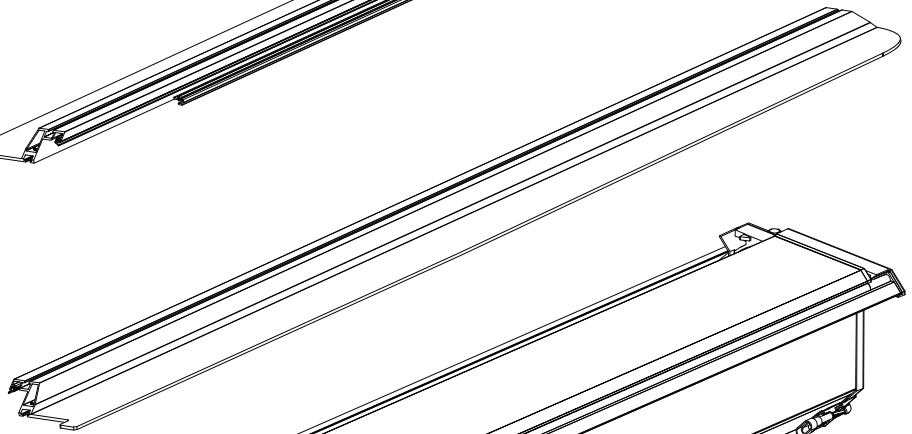


OWNERS  
MANUAL

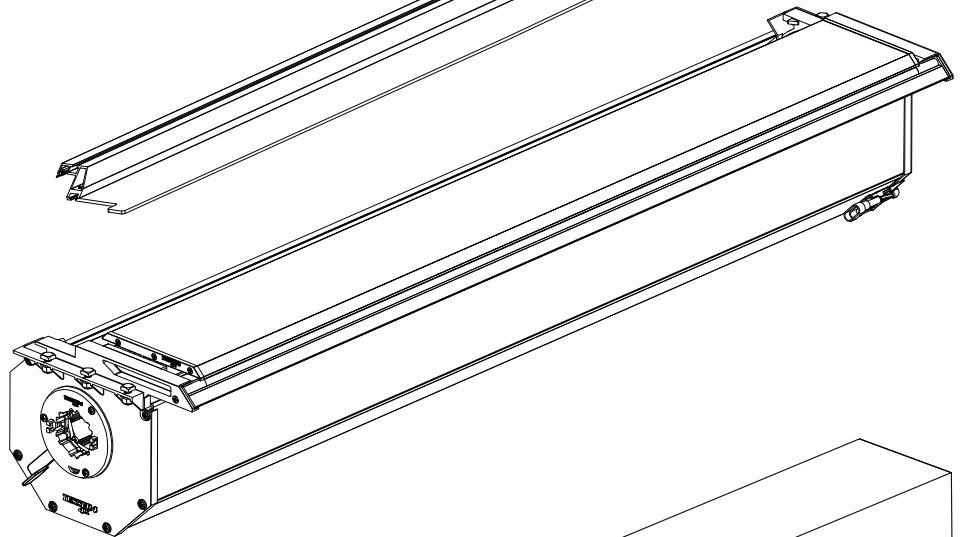
x1



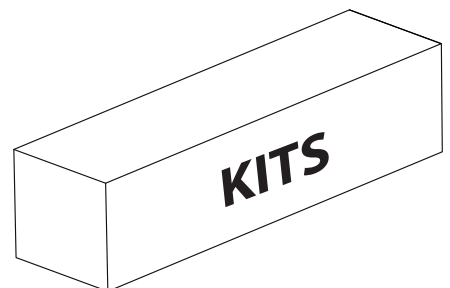
**B**



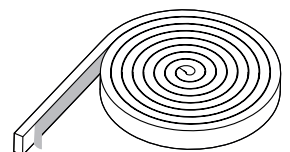
**A**

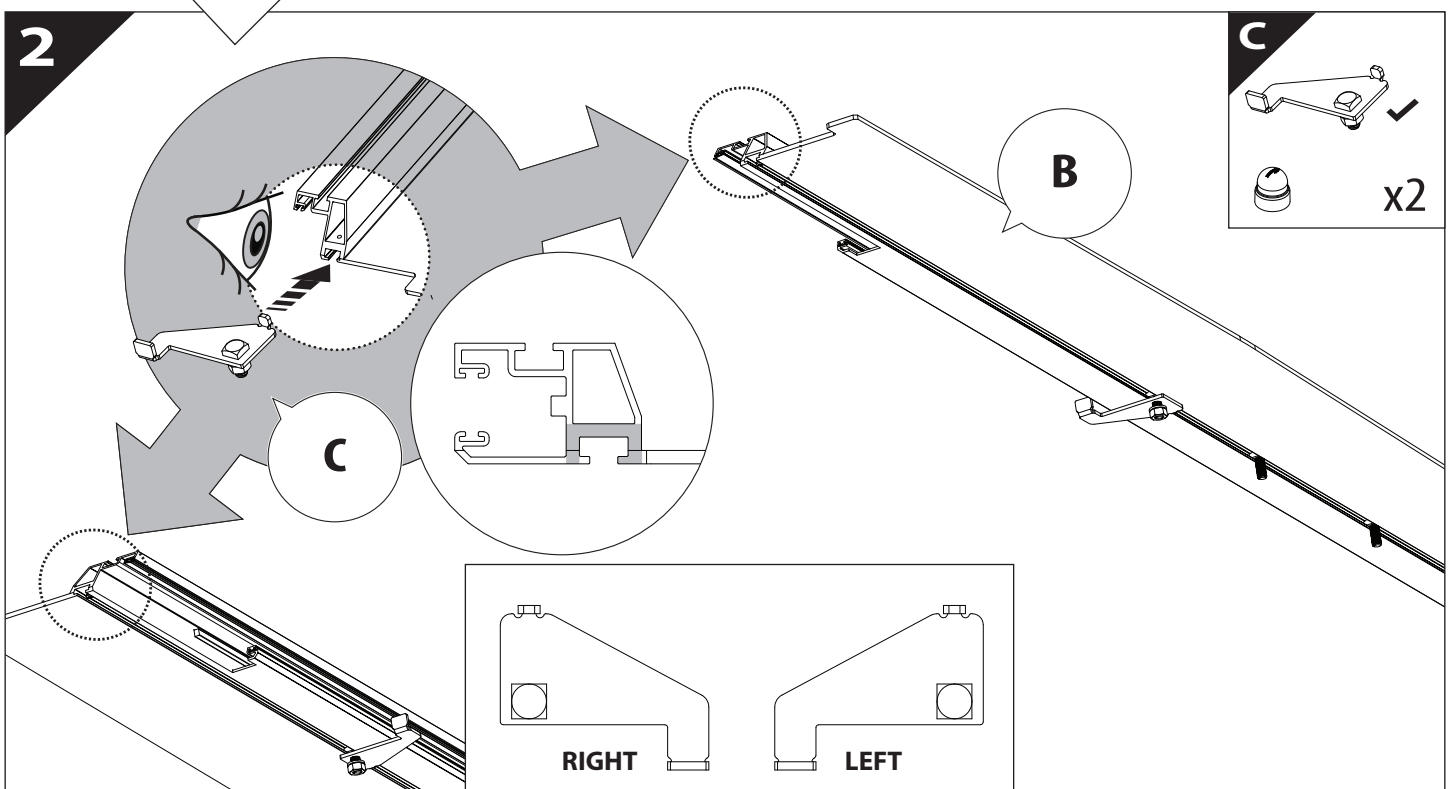
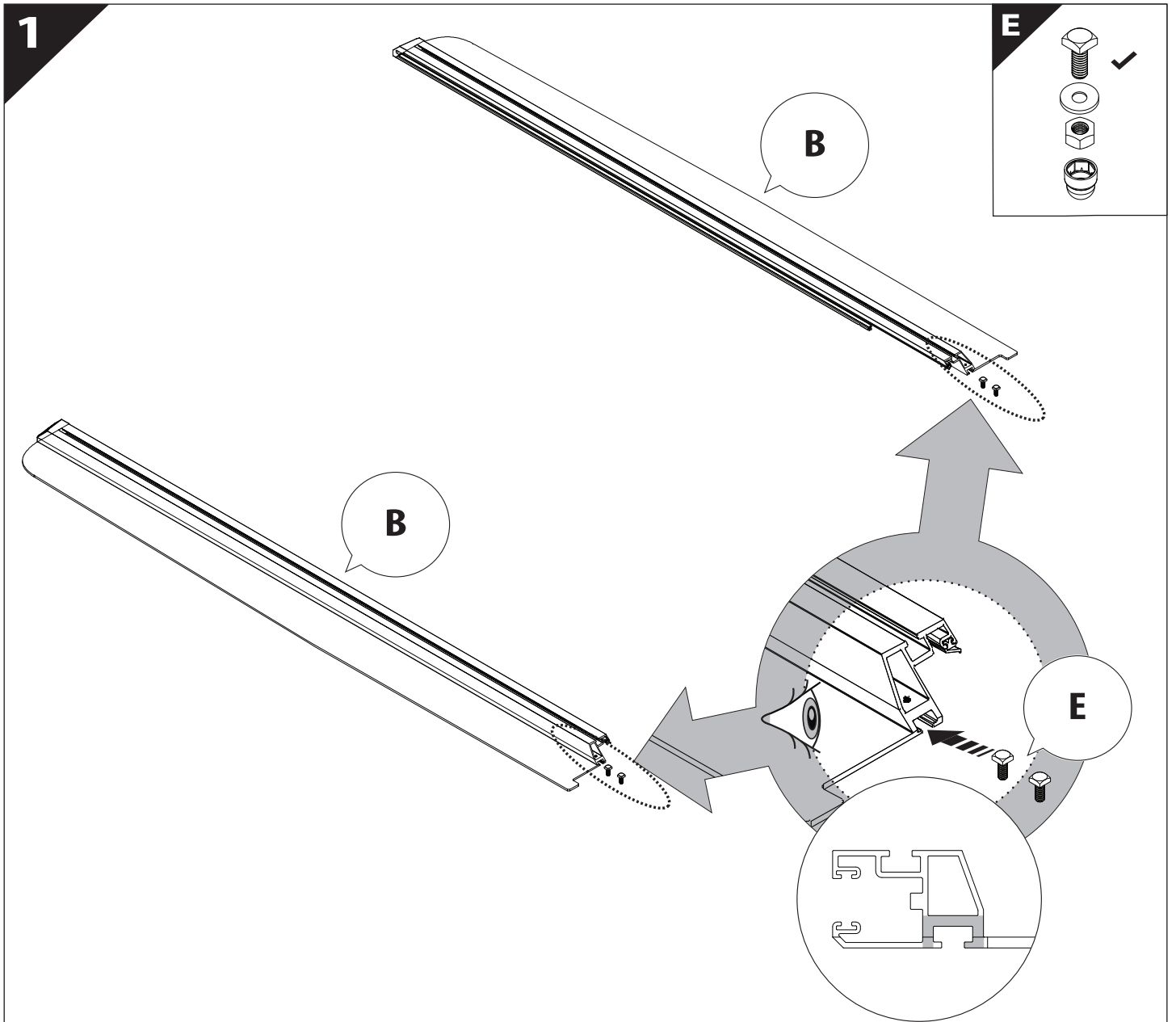


**KITS**

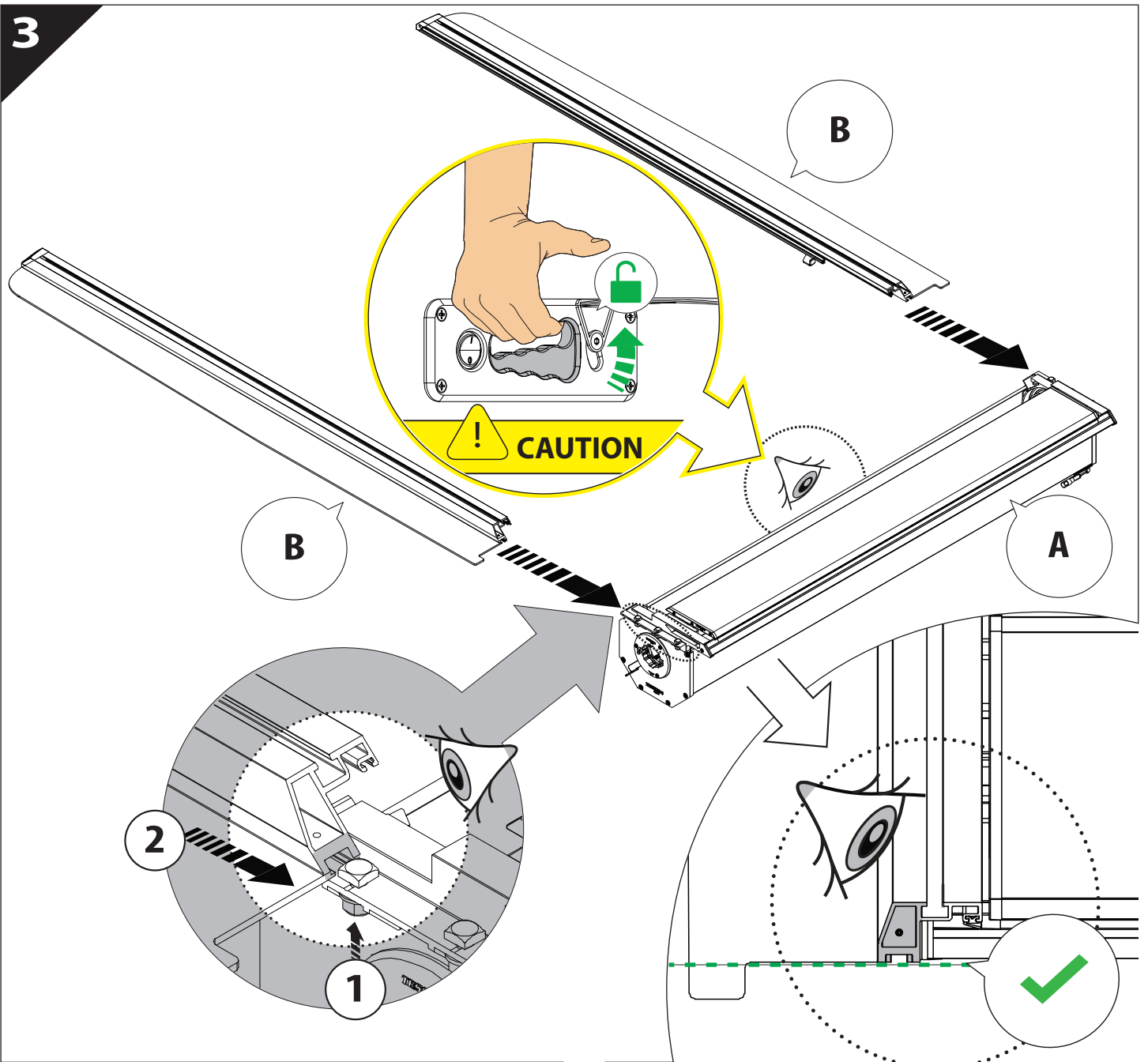


**L**

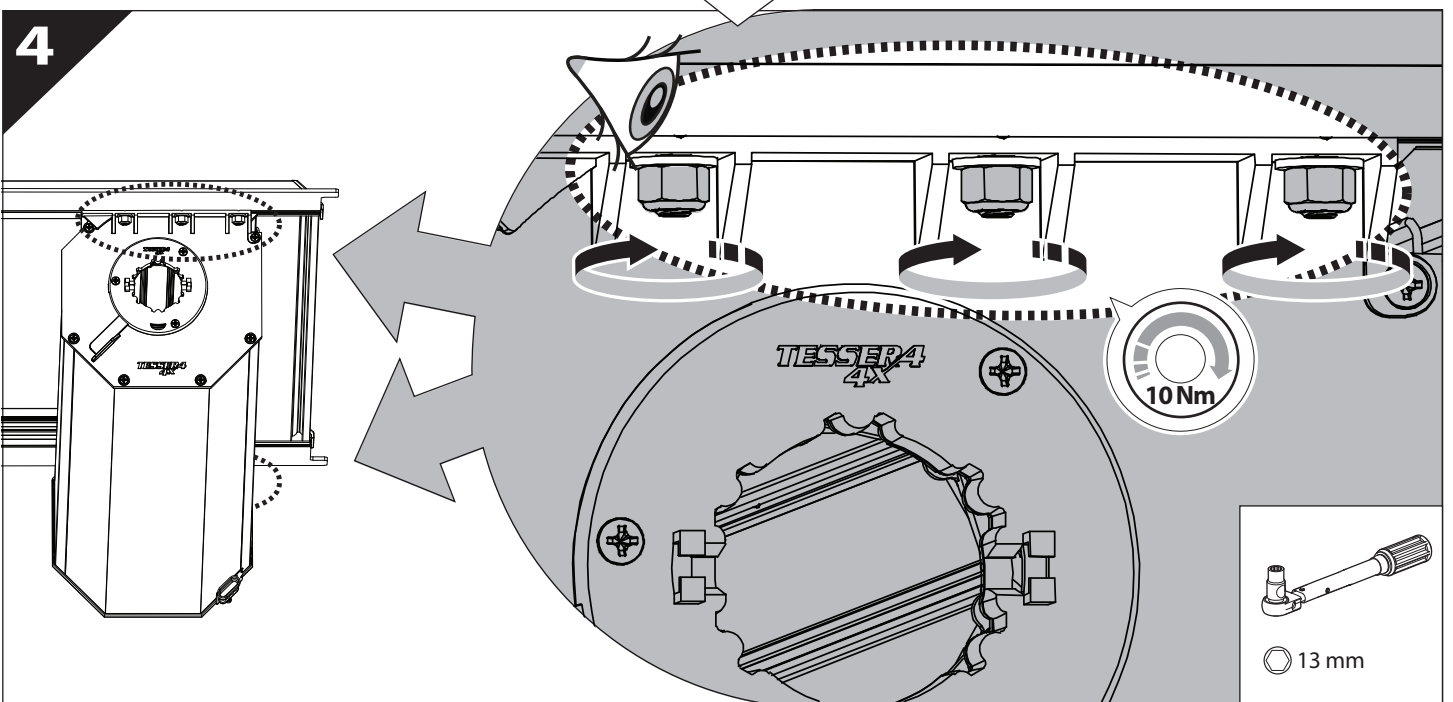


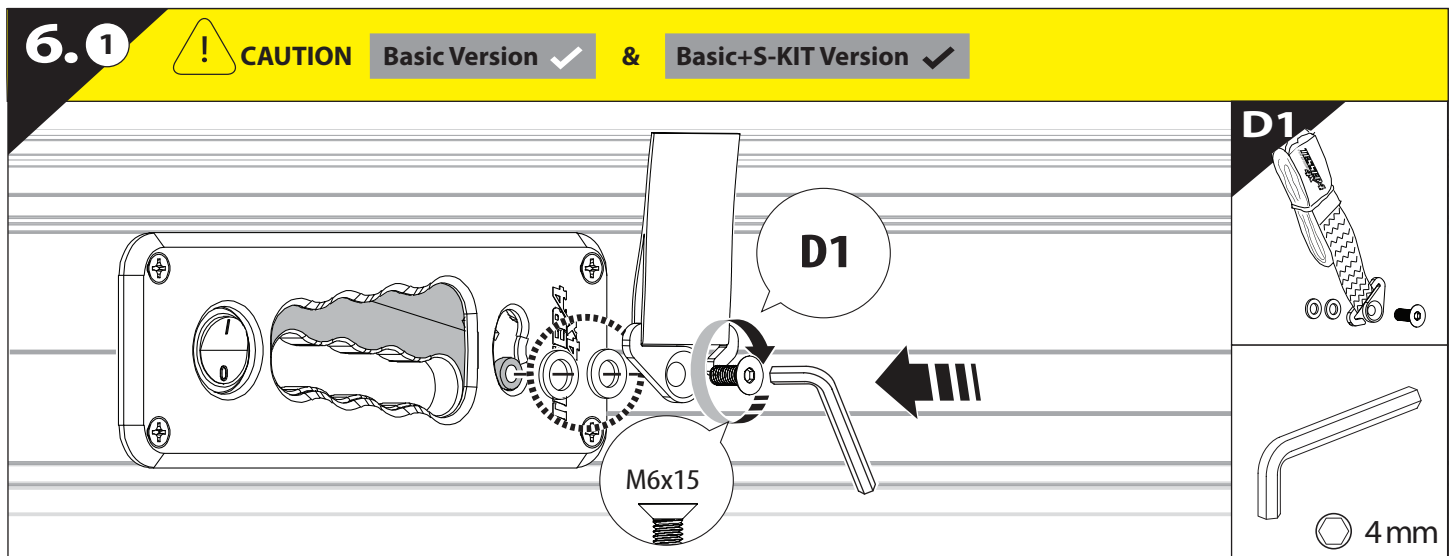
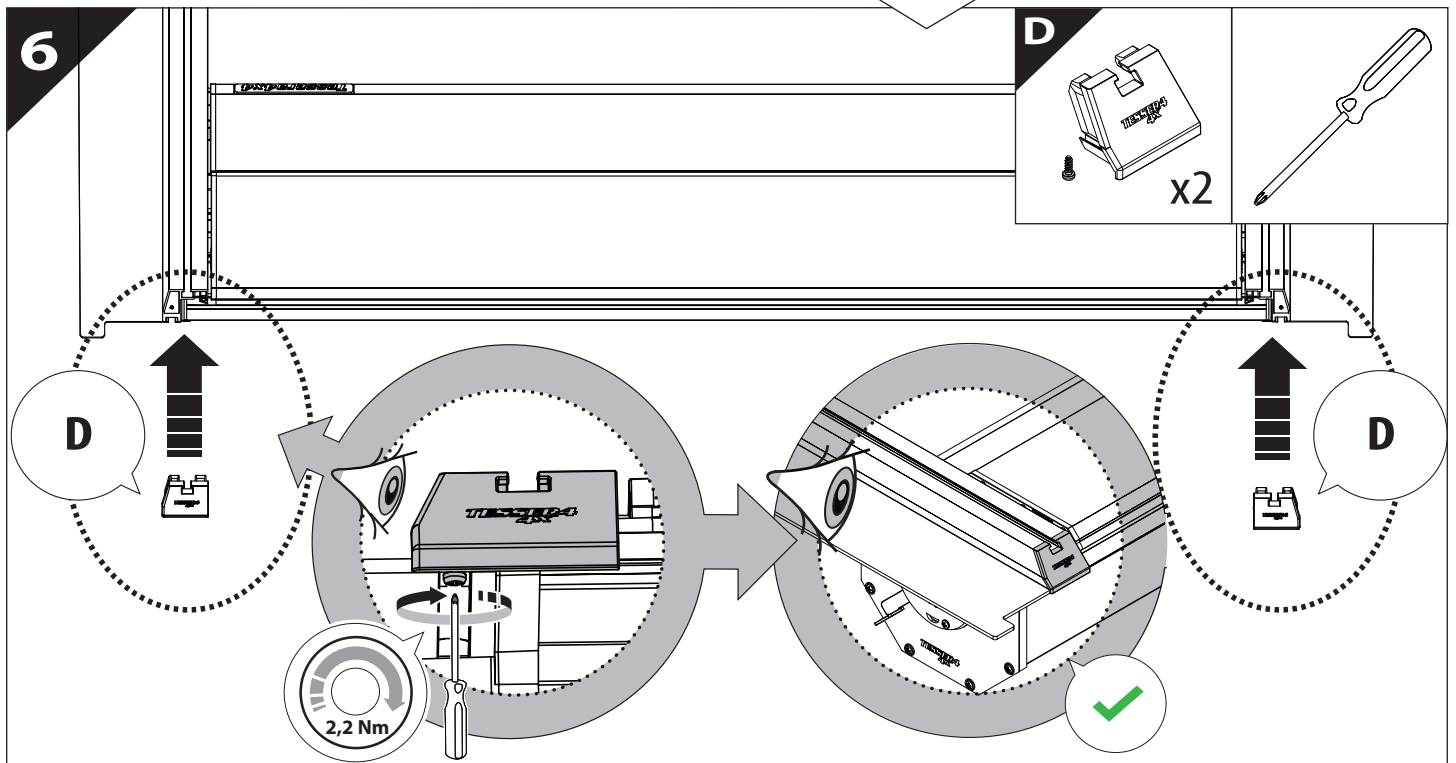
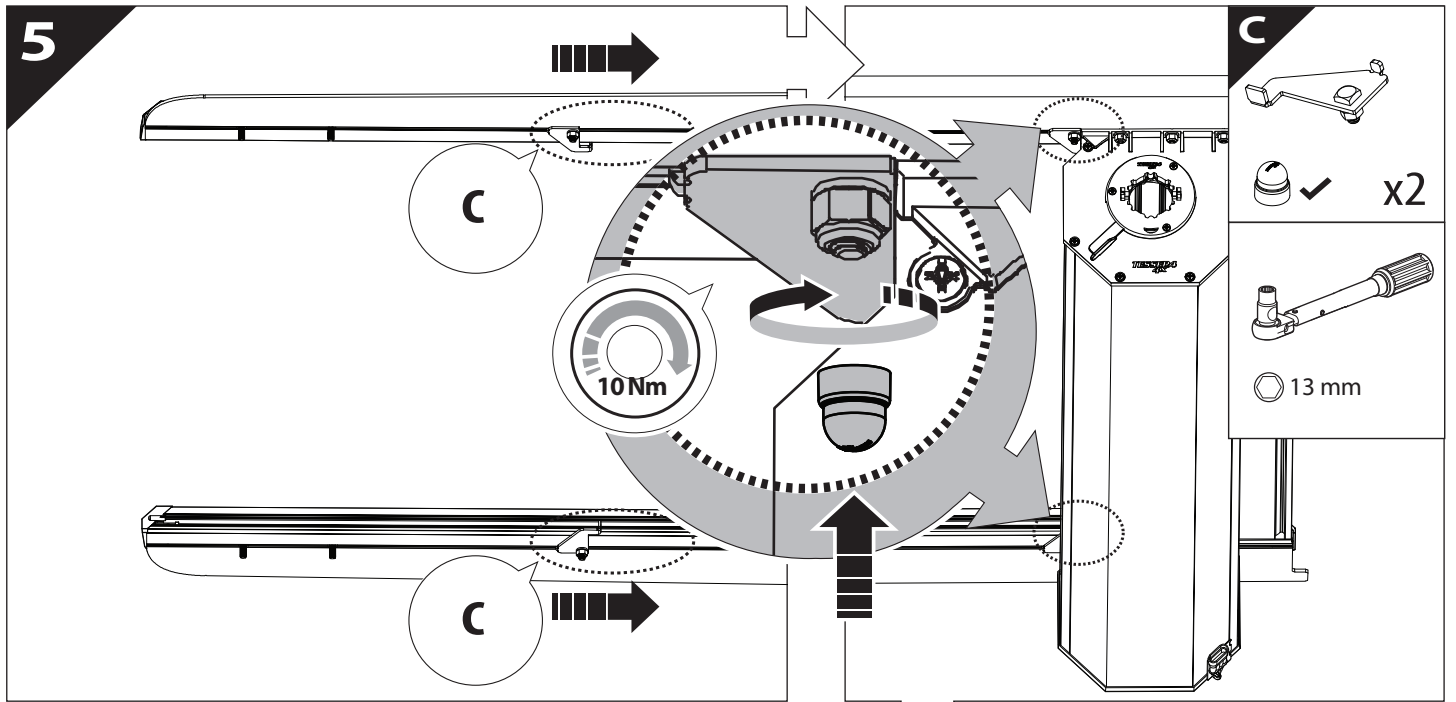


3



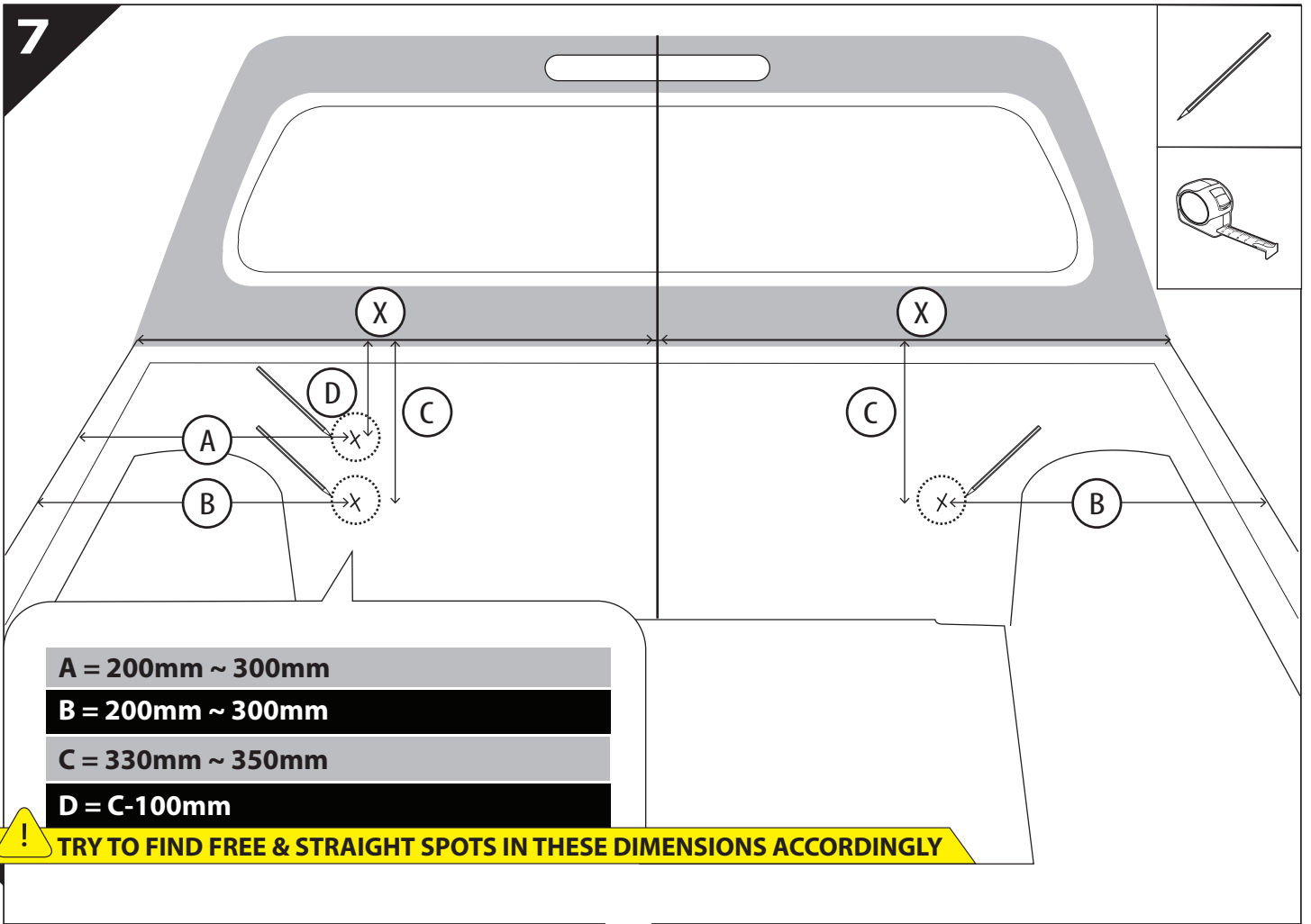
4



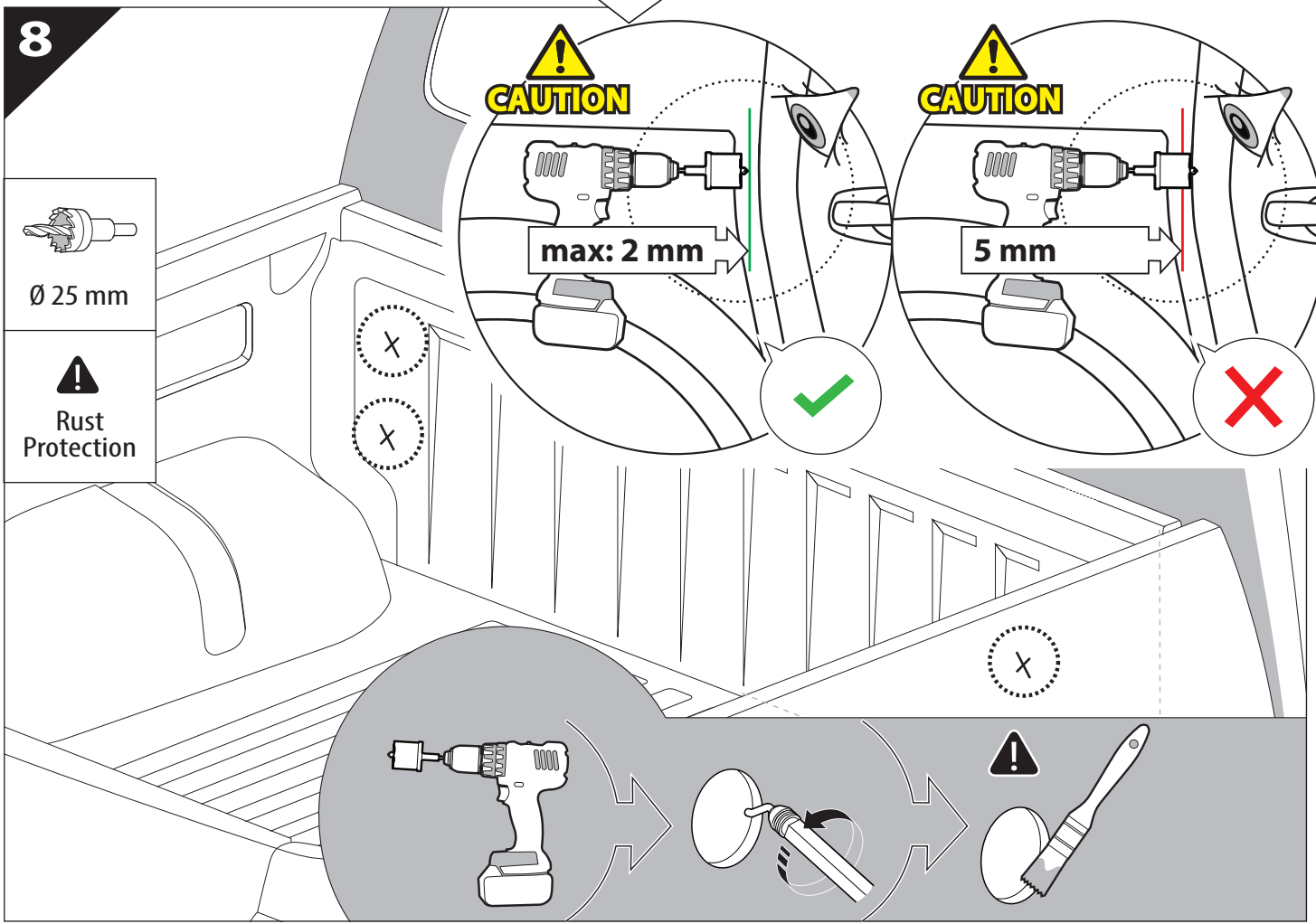




7

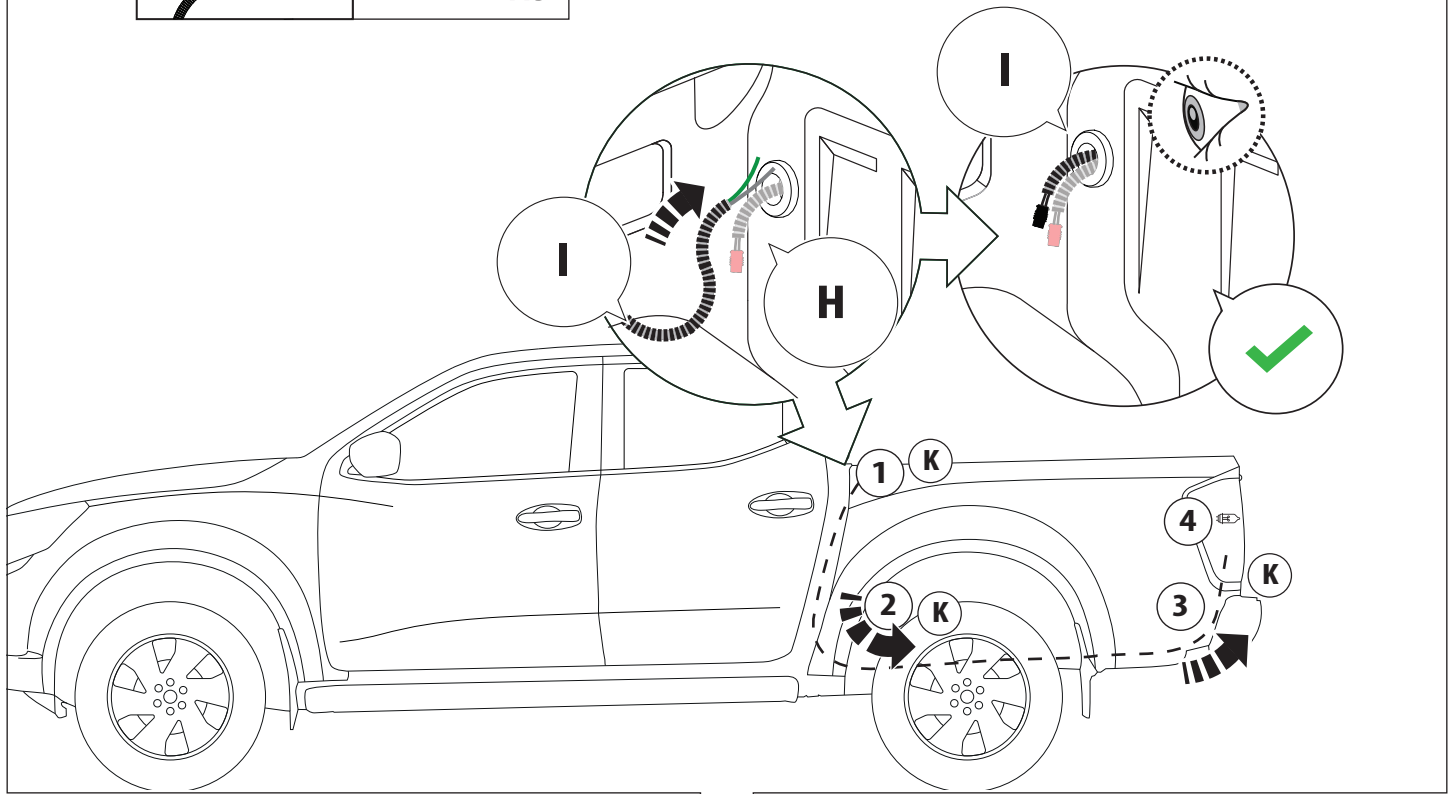
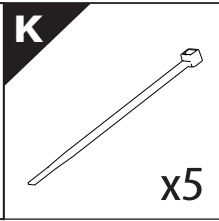
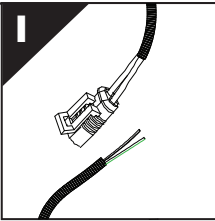


8

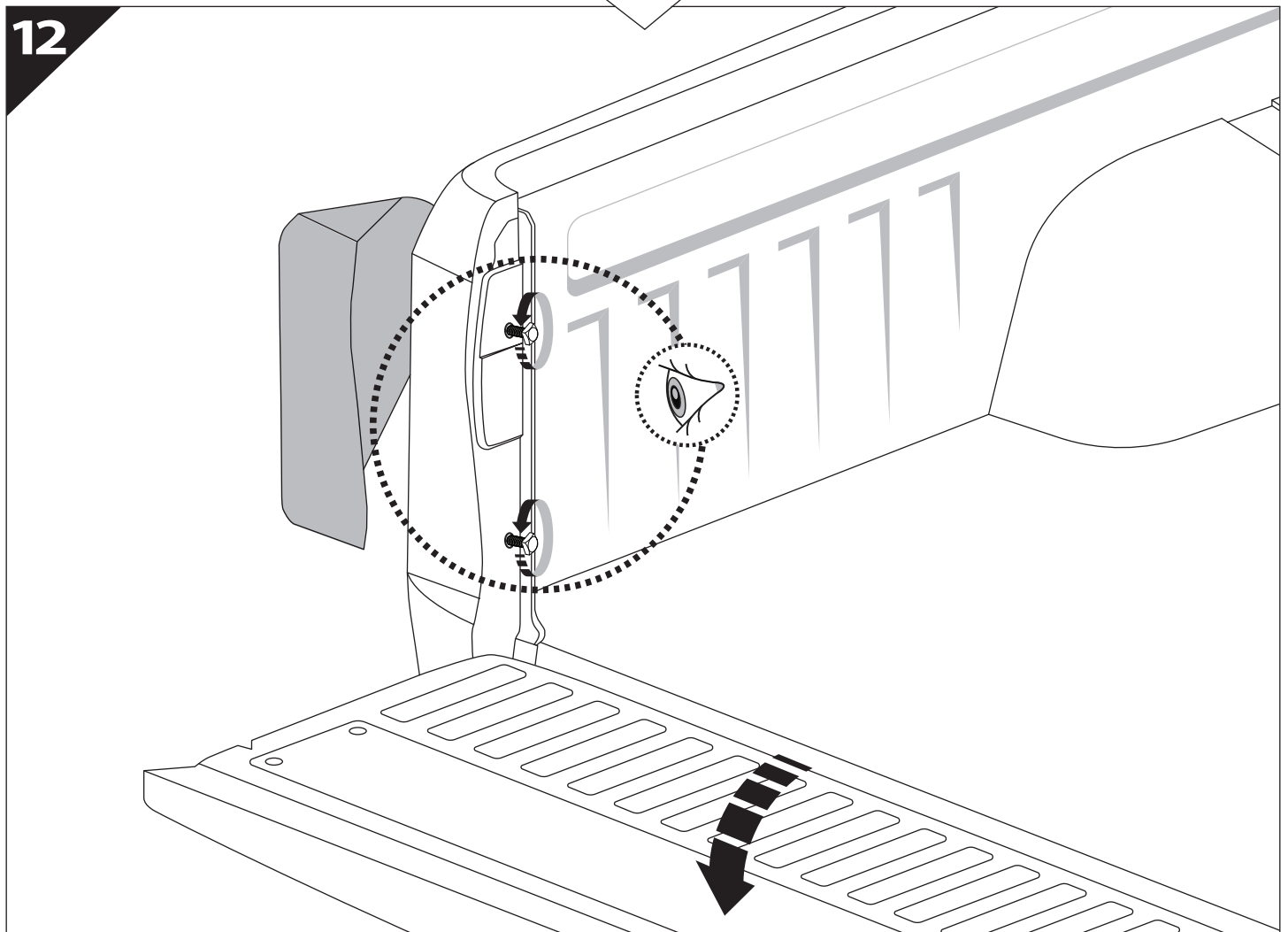




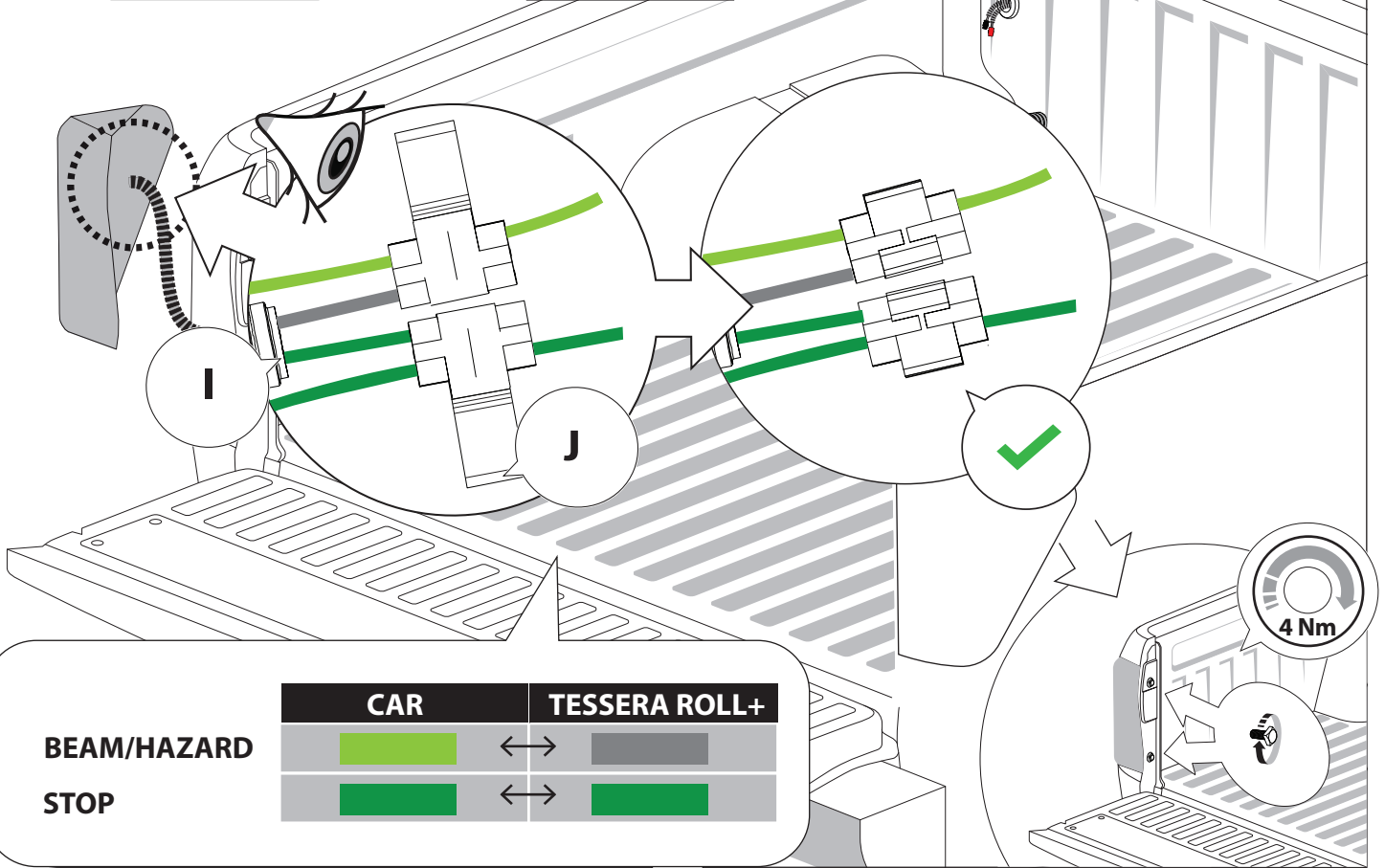
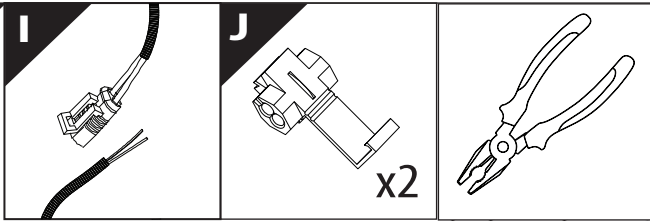
11



12

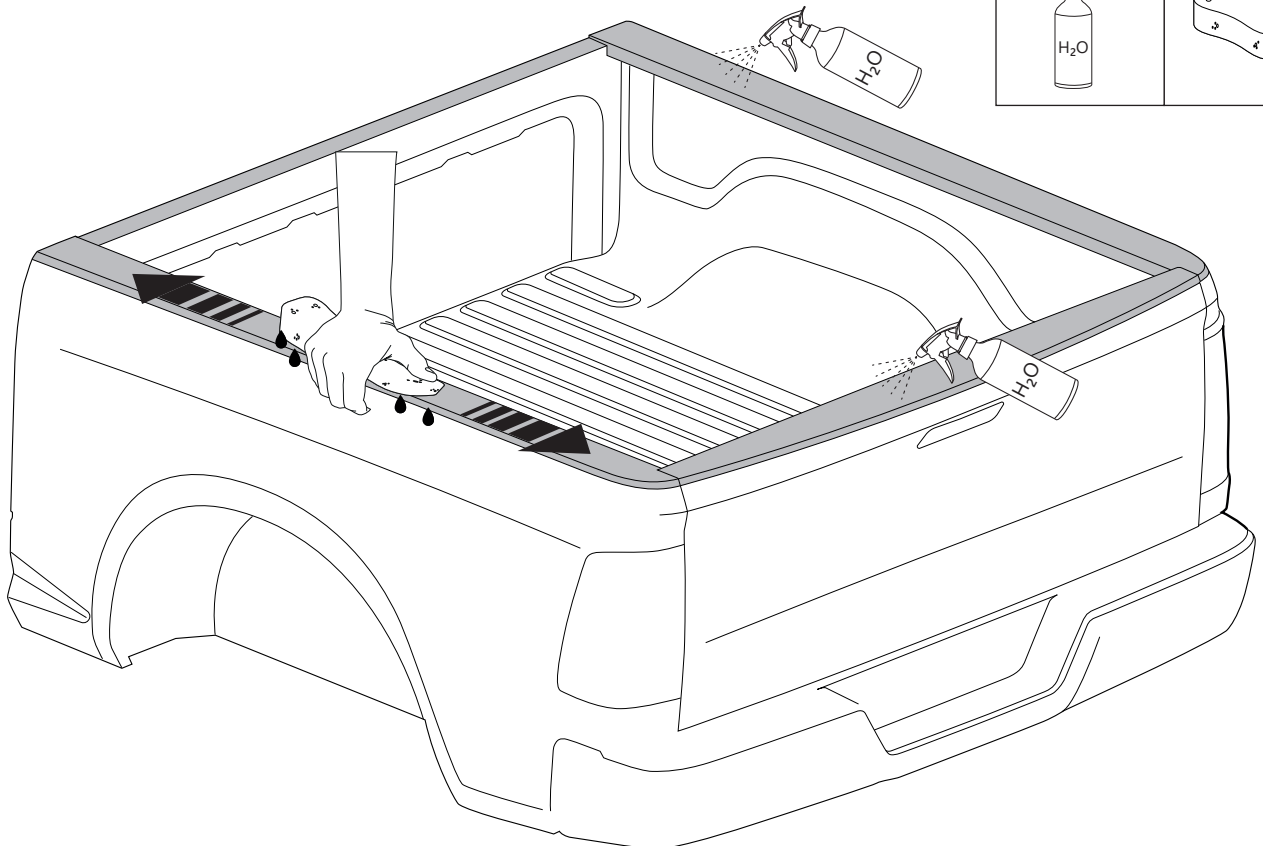
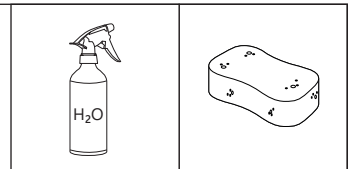


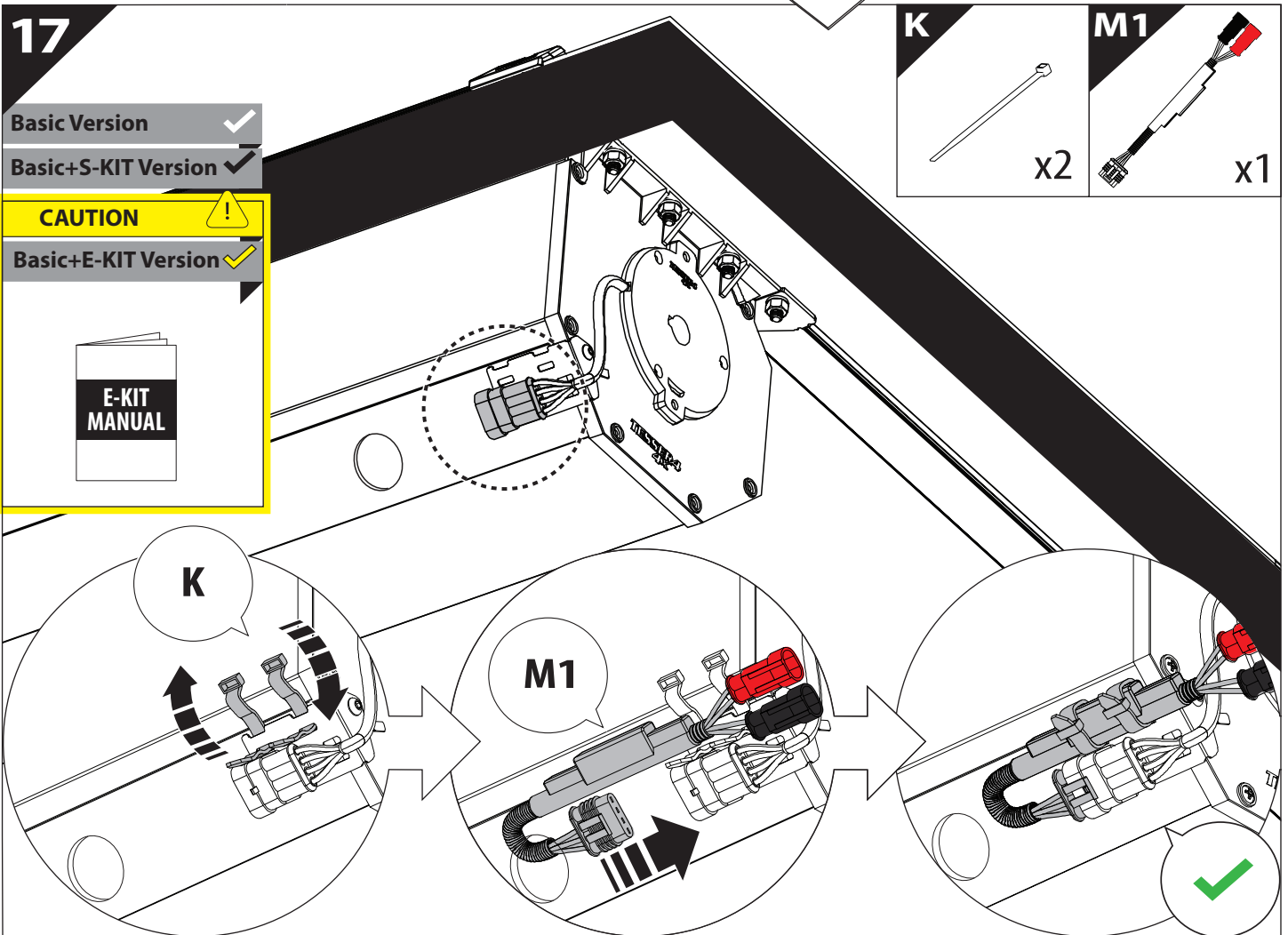
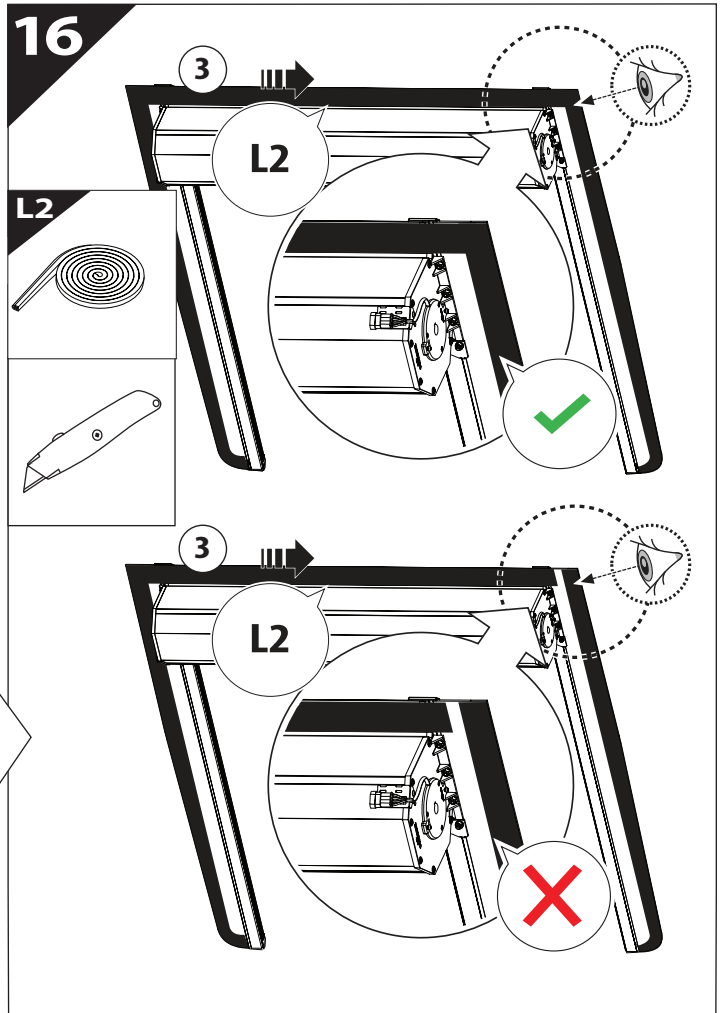
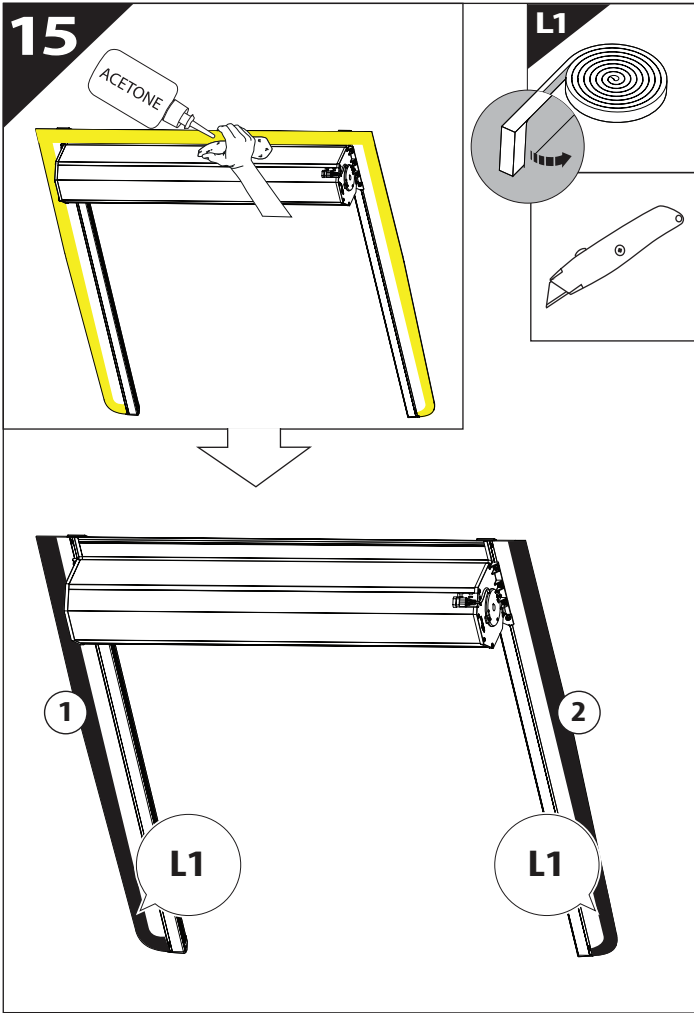
13



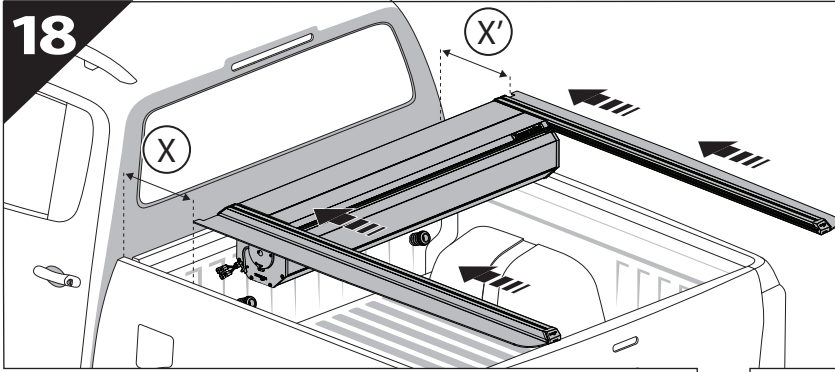
	CAR		TESSERA ROLL+
BEAM/HAZARD		↔	
STOP		↔	

14

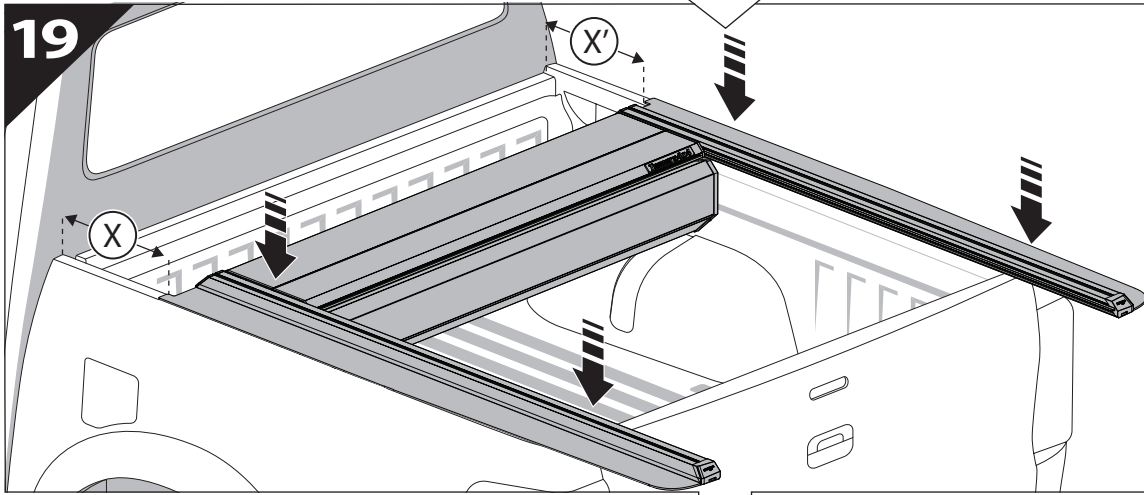




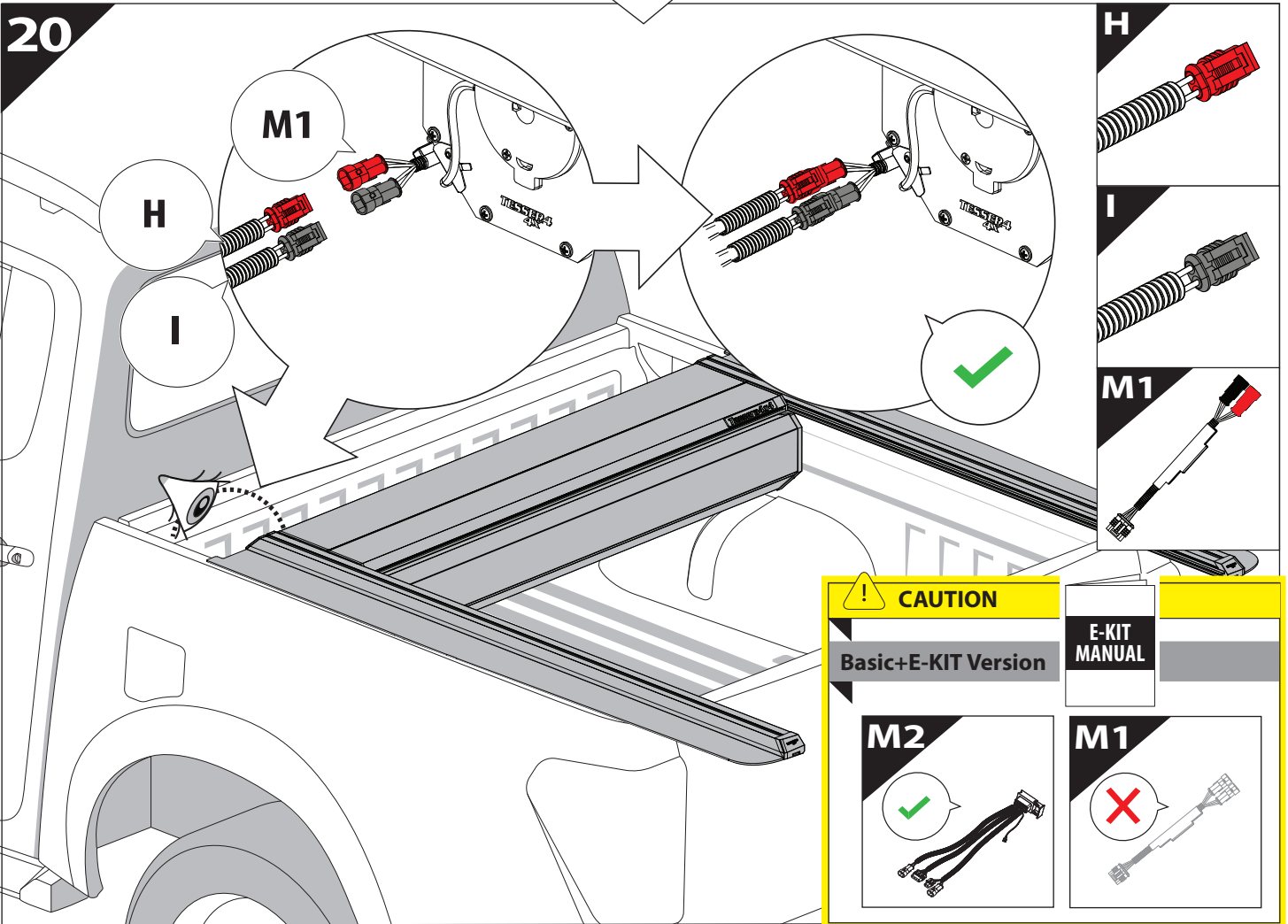
18



19



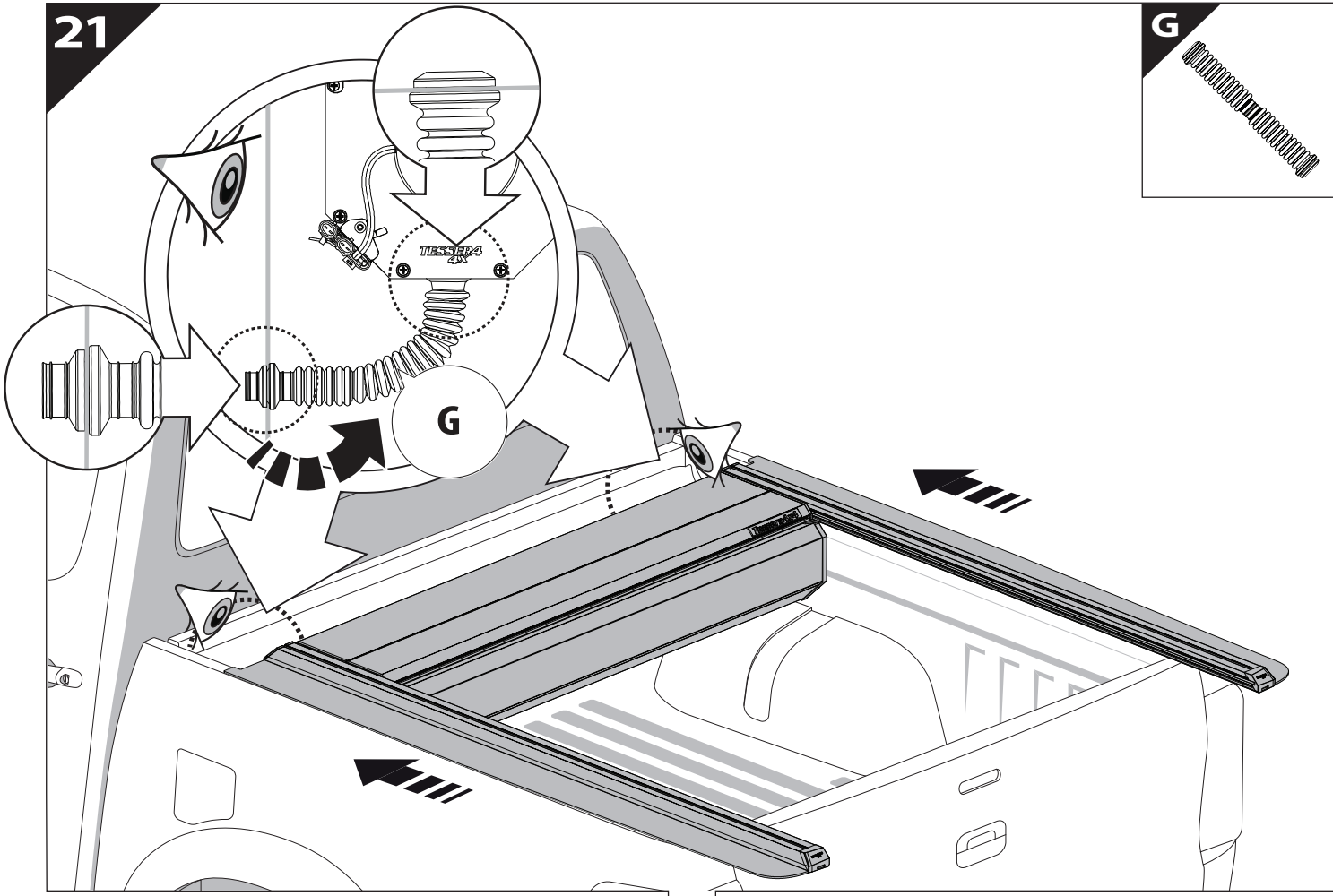
20



<b>CAUTION</b>	
Basic+E-KIT Version	
E-KIT MANUAL	
M2 ✓ 	M1 ✗ 

21

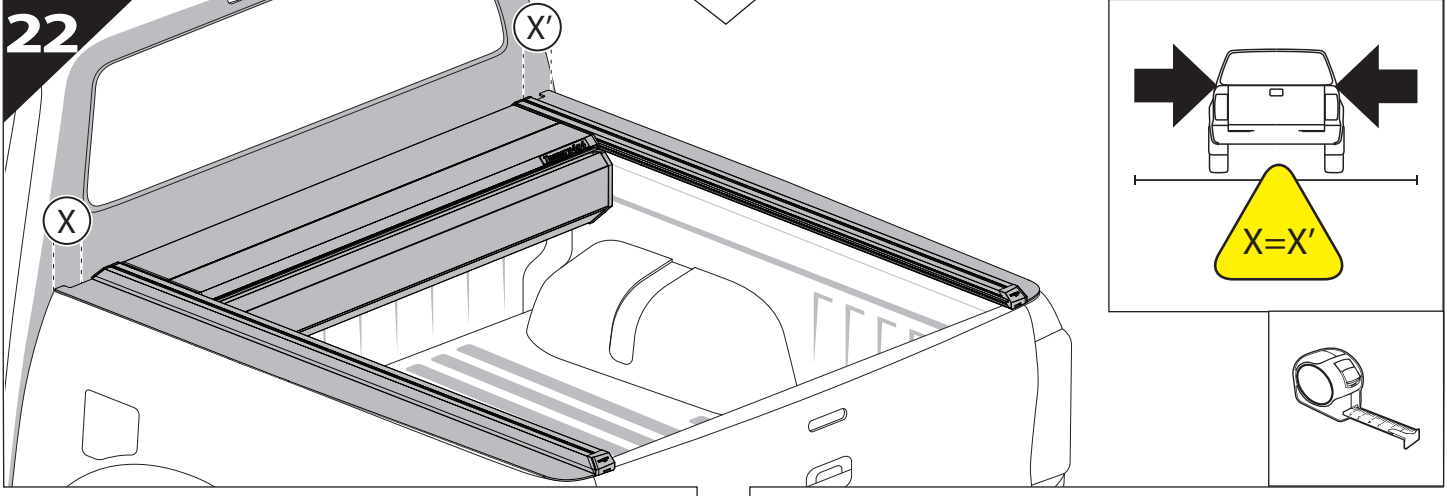
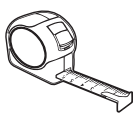
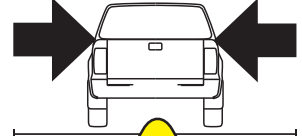
G



22

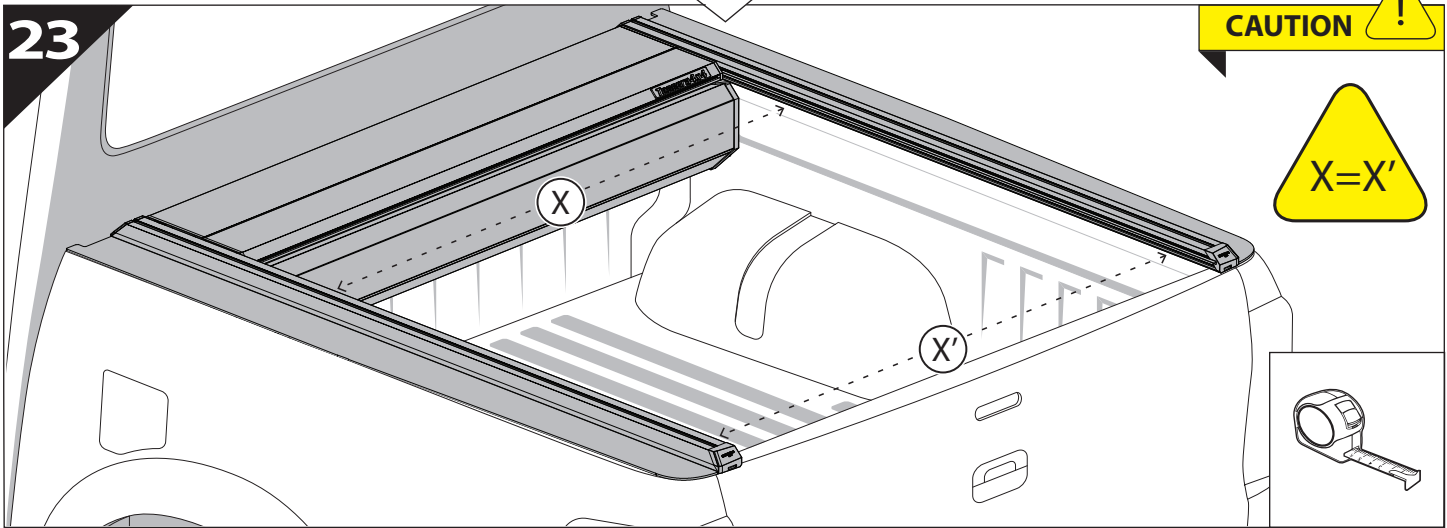
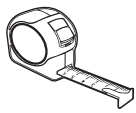
X'

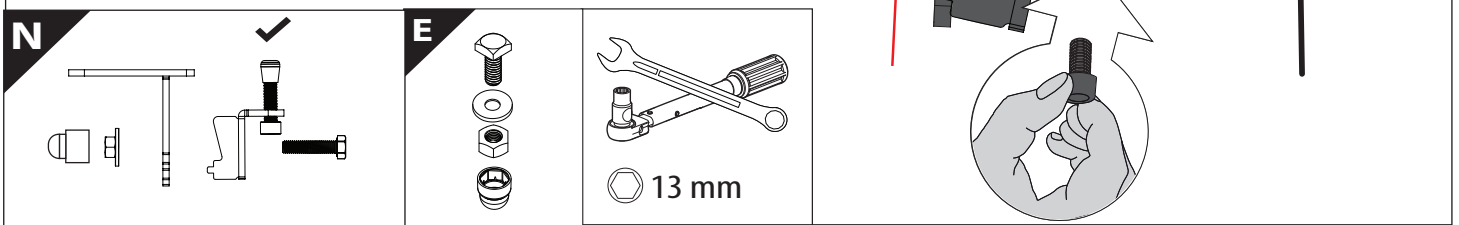
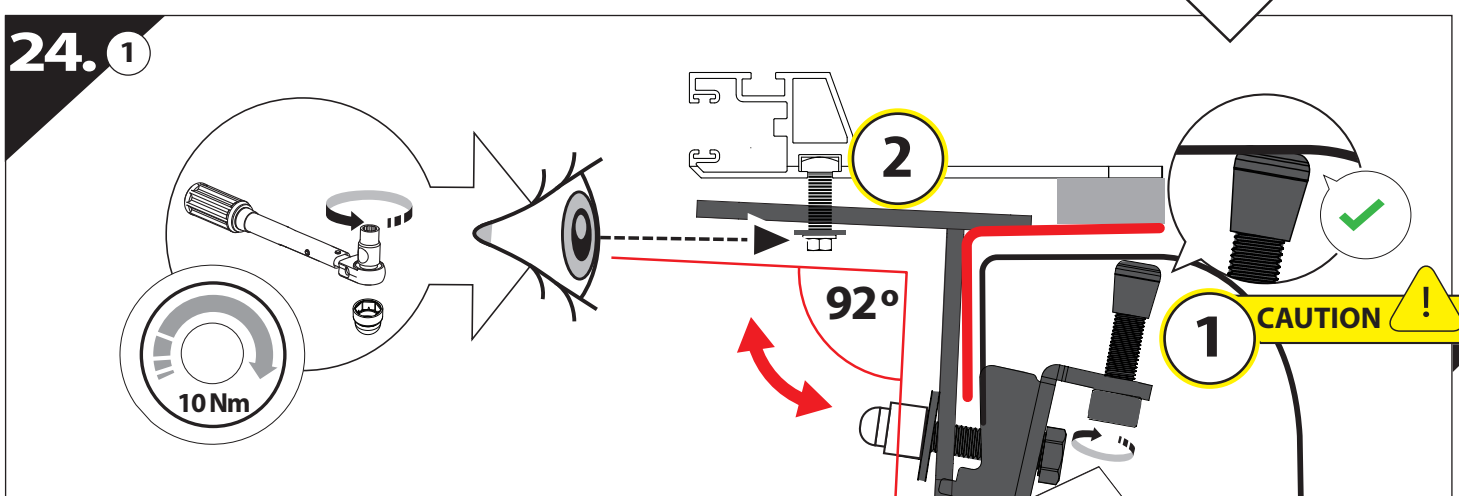
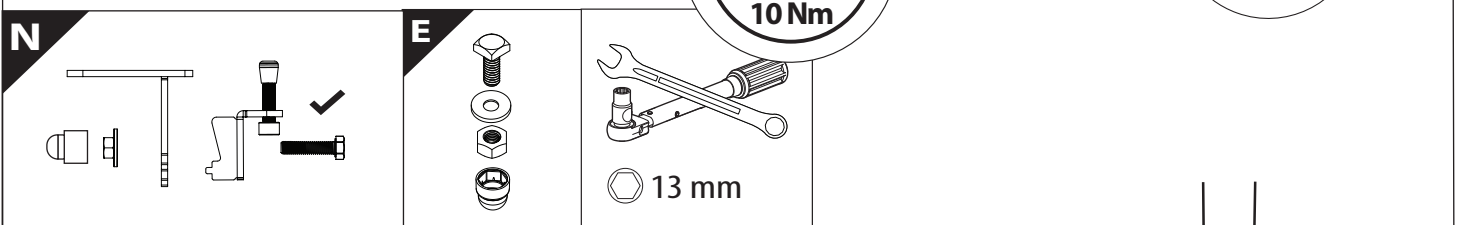
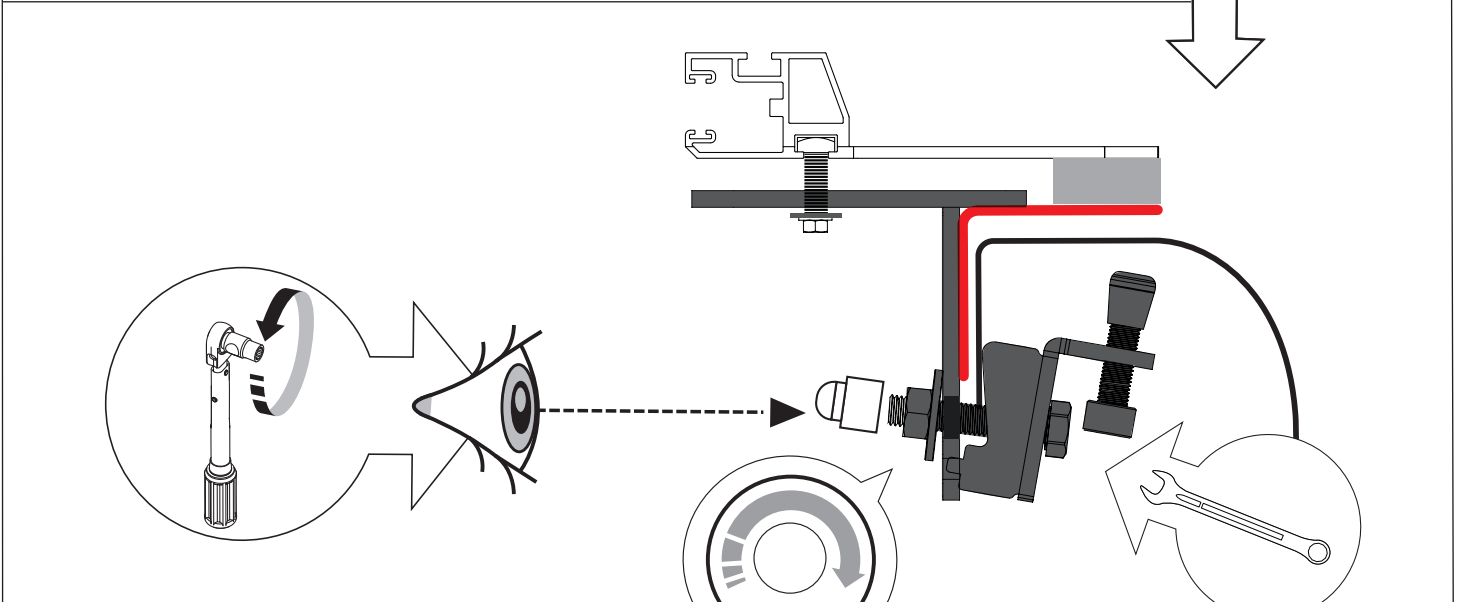
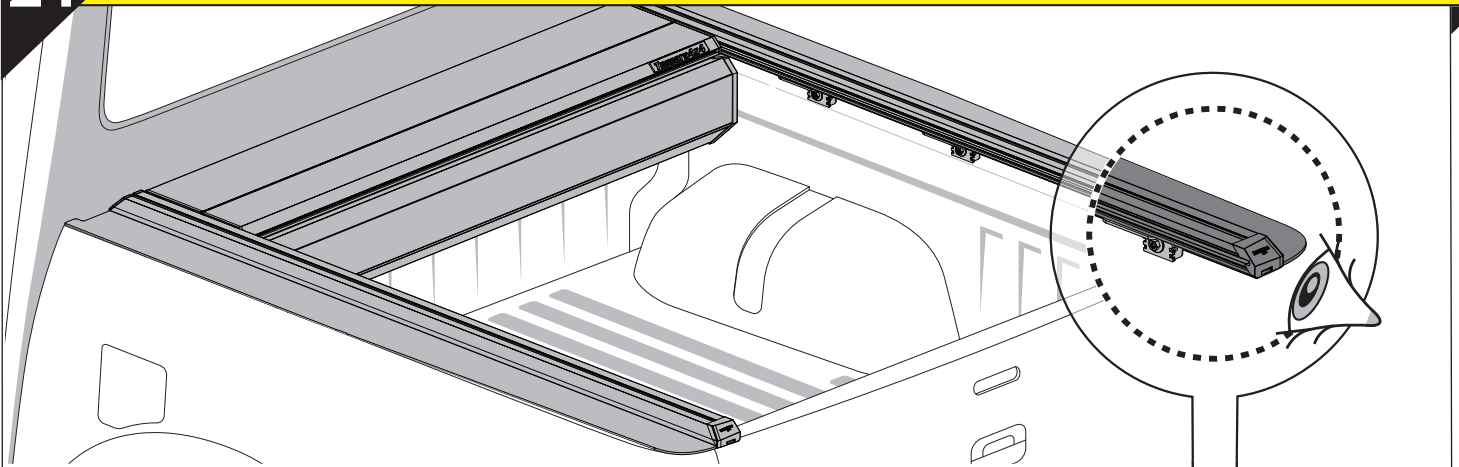
X



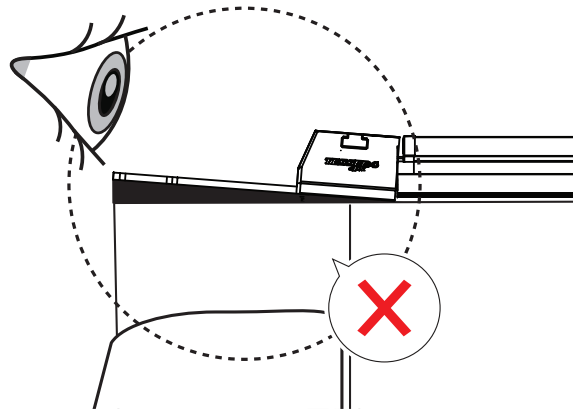
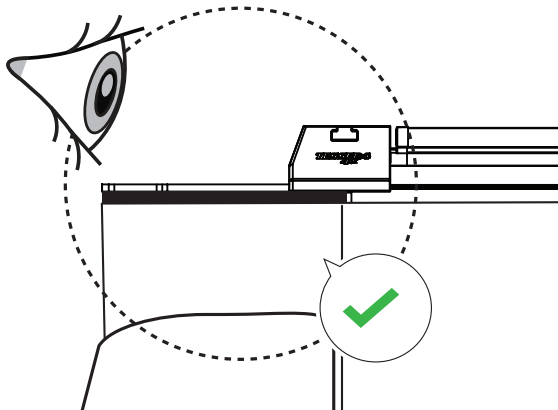
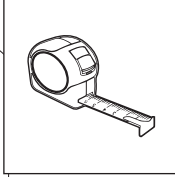
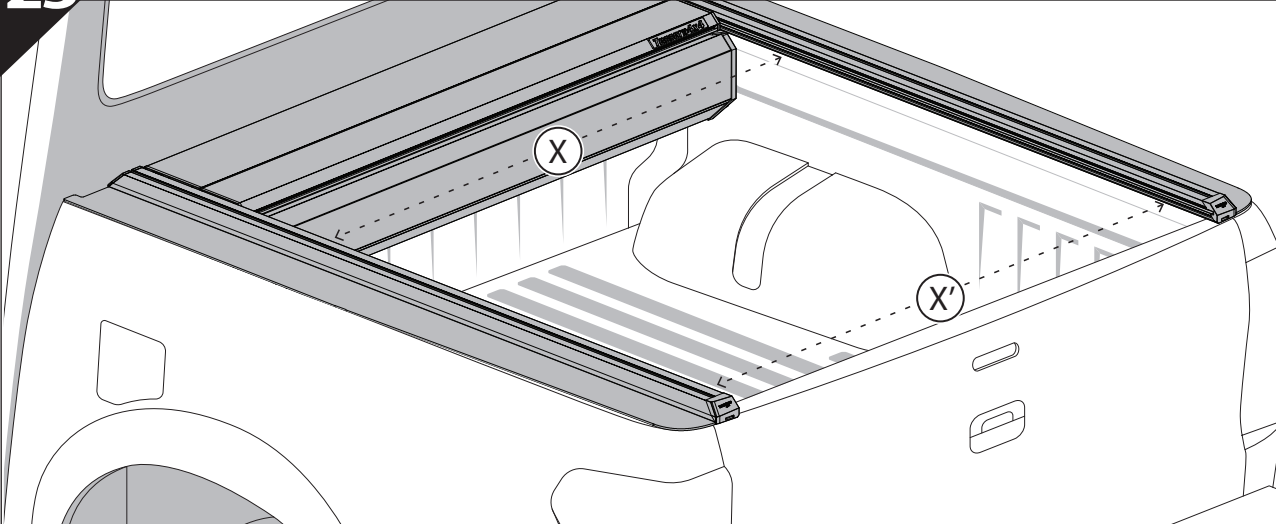
23

CAUTION

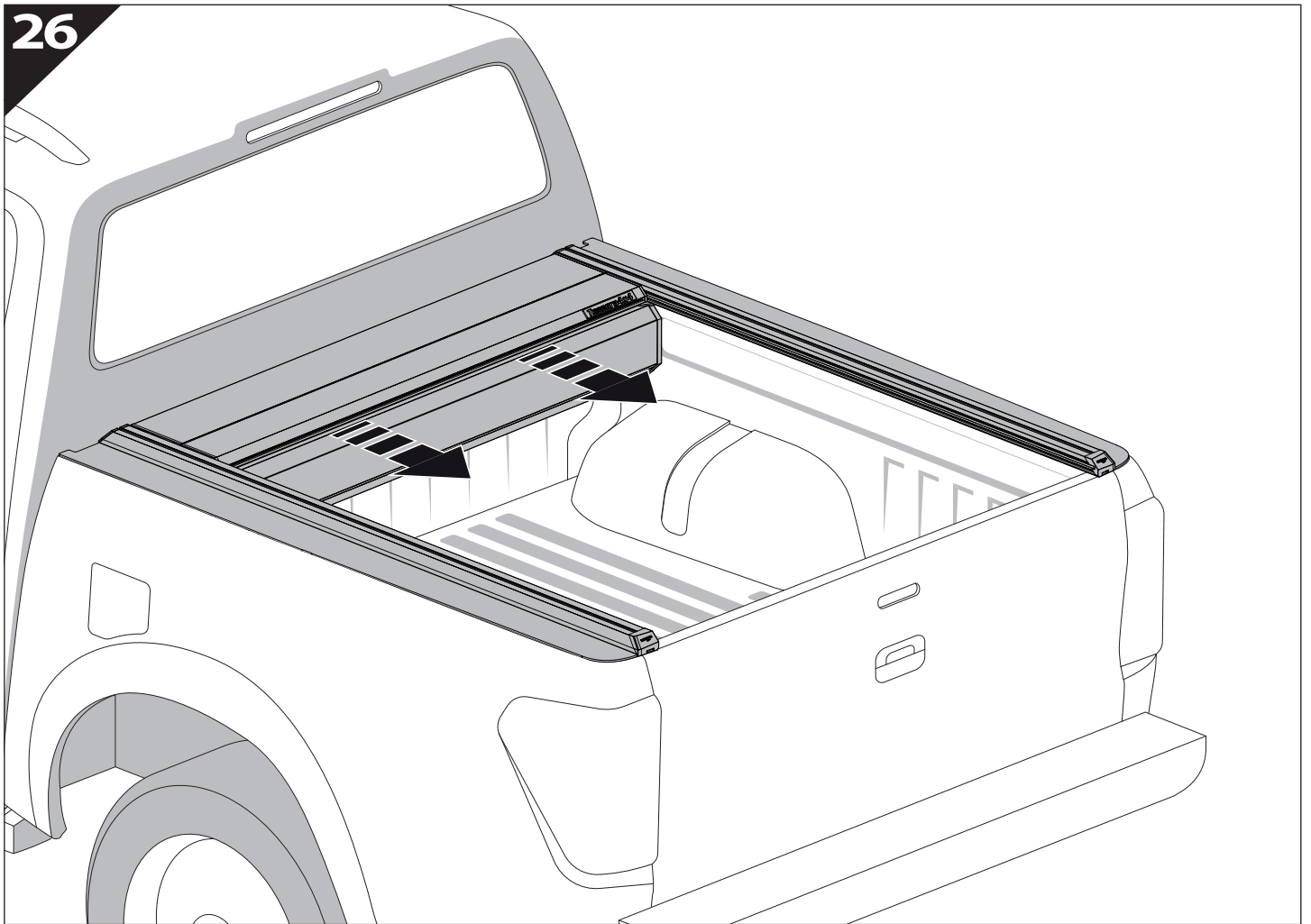




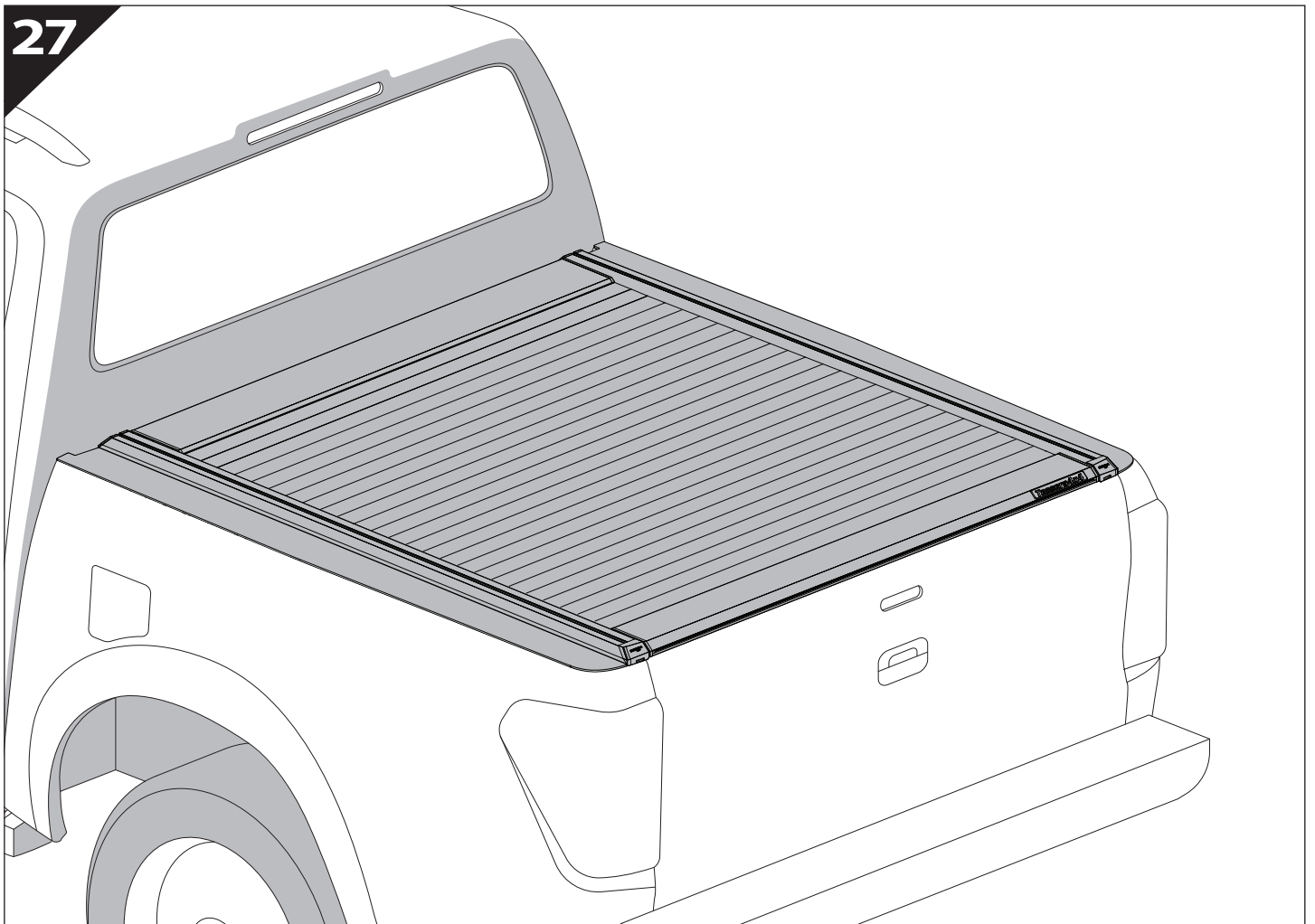




26



27







**GR:** Οδηγίες Εγκατάστασης  
**GB:** Installation manual  
**SF:** Asennusohje  
**F:** Notice de montage  
**PL:** Instrukcja montażu  
**NL:** Installatie-instructies  
**TR:** Montaj Talimatı  
**S:** Monteringsanvisning  
**E:** Instrucciones de montaje

**H:** Szerelési utasítás  
**P:** Instruções de instalação  
**RUS:** Инструкция по установке  
**N:** Monteringsveiledning  
**D:** Einbauanleitung  
**CZ:** Návod k instalaci  
**I:** Istruzioni de montaggio  
**DK:** Monteringsvejledning  
**RO:** Instructiuni de instalare

Customer Service:

+30 (210) 5541161, +30 (210) 5541154 (08:00 - 16:00 EET)

Support department:

[info@gianso.gr](mailto:info@gianso.gr)

Website:

[www.tessera4x4.com](http://www.tessera4x4.com)

Address:

19.5 km of National road Athens-Korinthos (Elefsina) Greece, P.C: 19200