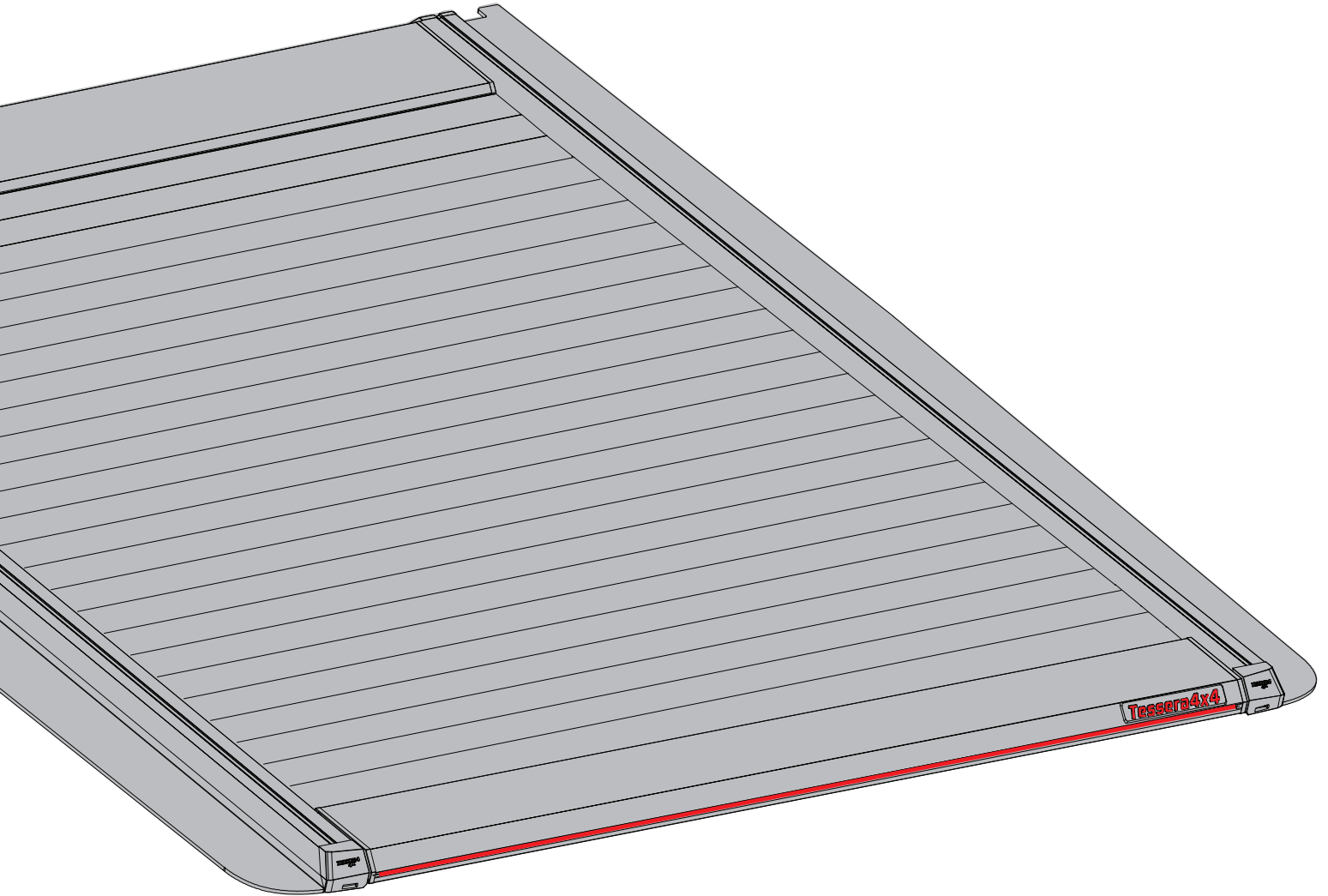


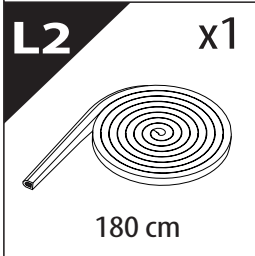
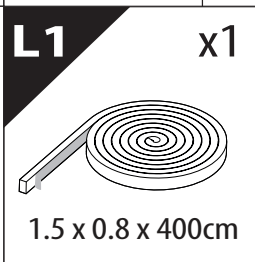
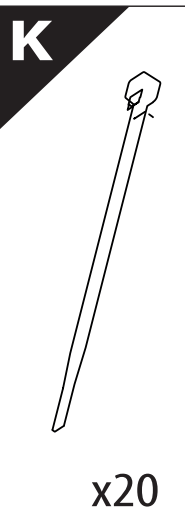
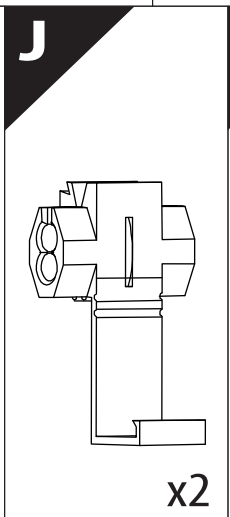
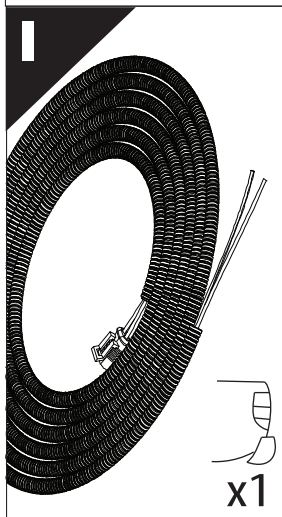
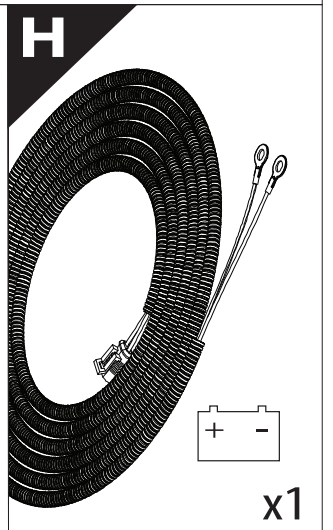
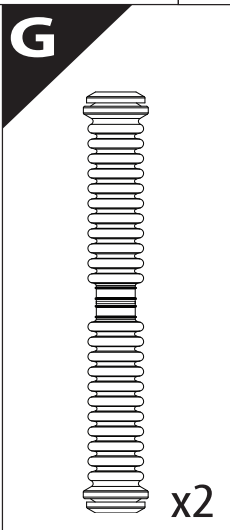
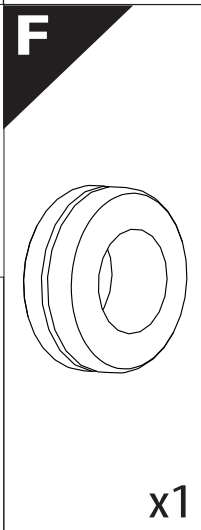
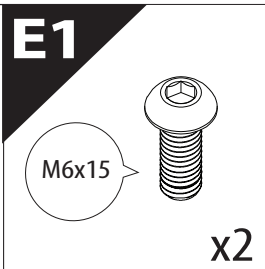
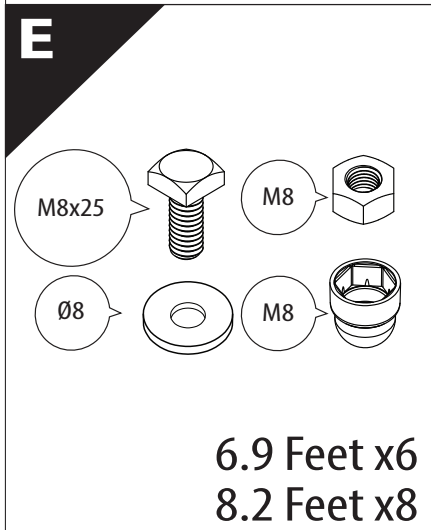
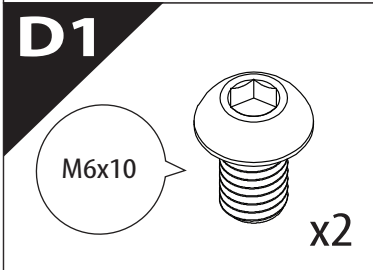
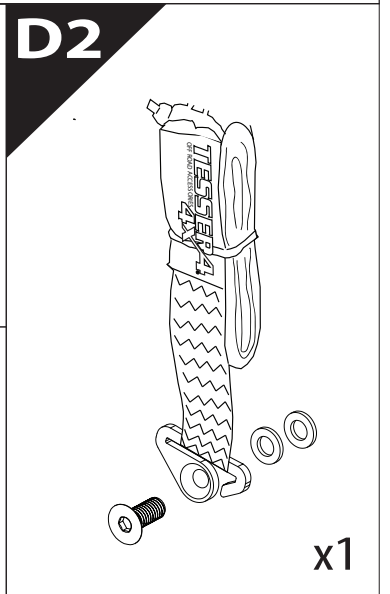
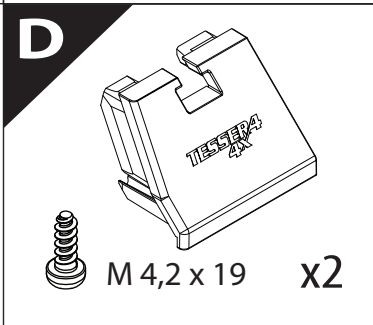
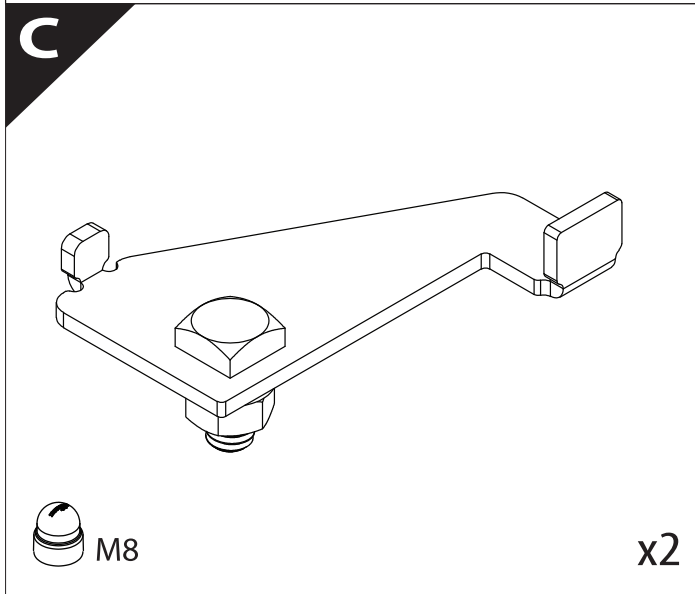
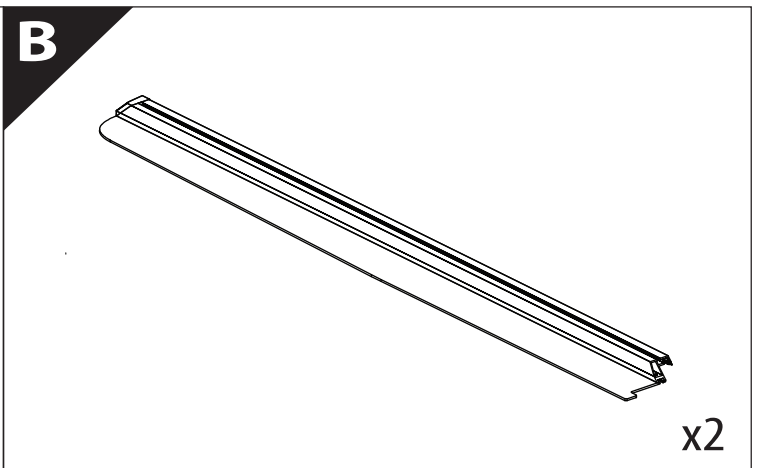
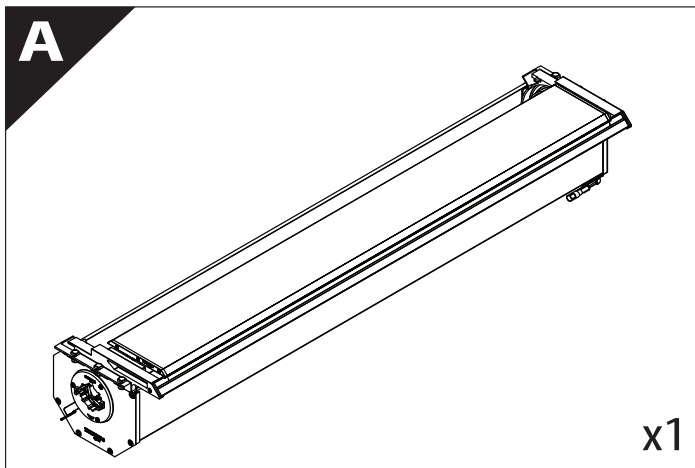
Tessera Roll+

Basic Version + ⚡ E-KIT

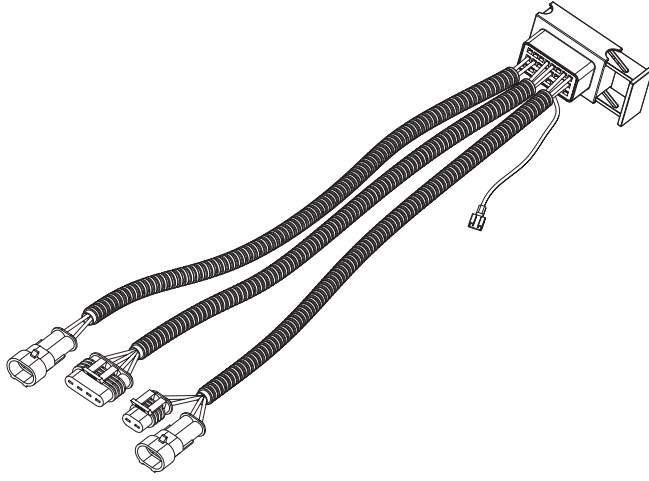


Installation Manual

PART NUMBER(S)	Model Year
TESS 1436 ROLL+E-KIT	Chevrolet Silverado 2500 / 3500 2020+
TESS 14361 ROLL+E-KIT	
Feet	Installation Time / Weight
6.9 Feet & 8.2 Feet	40-60 minutes / 53-57 kg

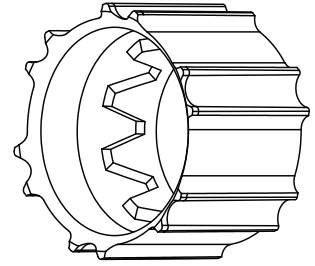


M2



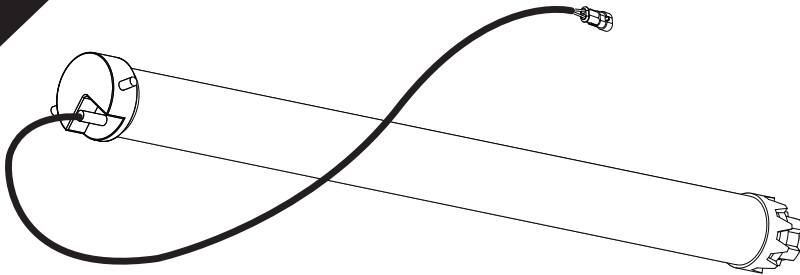
x1

N



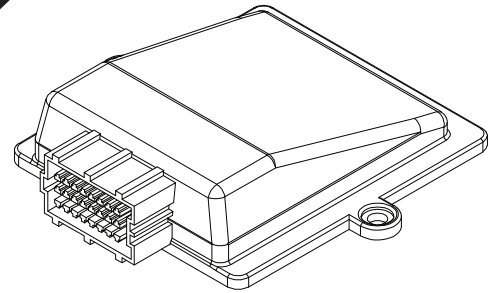
x1

O



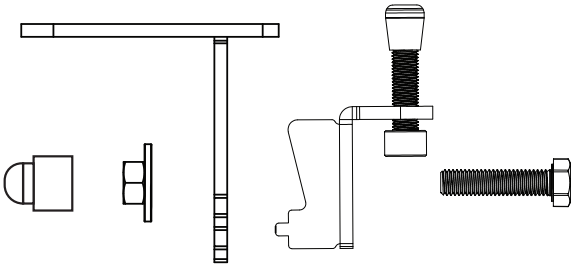
x1

P



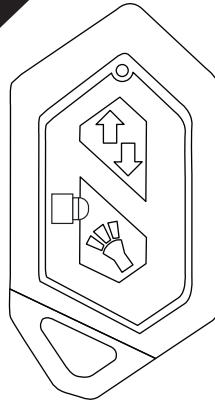
x1

Q



6.9 Feet x6
8.2 Feet x8

R

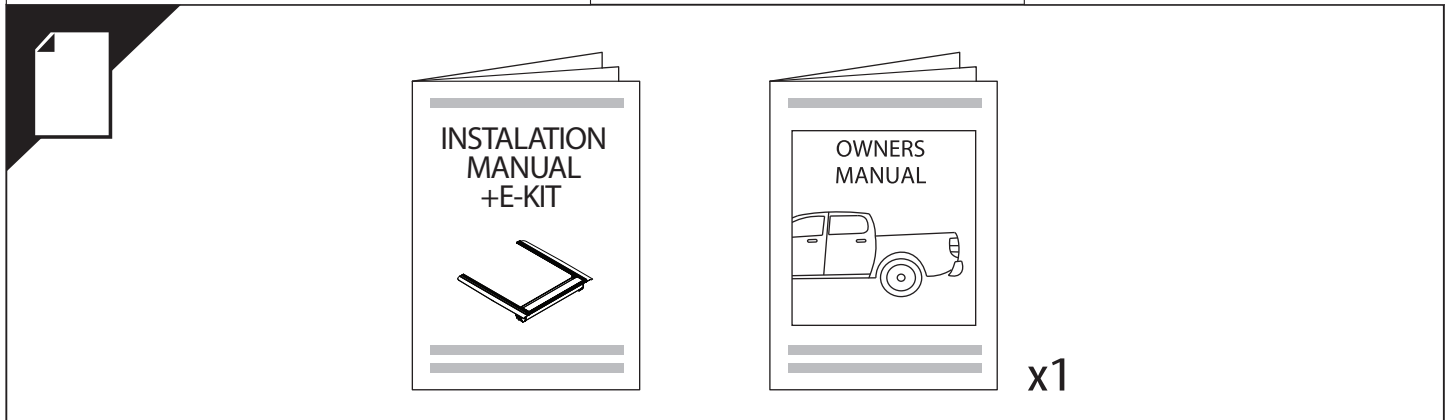
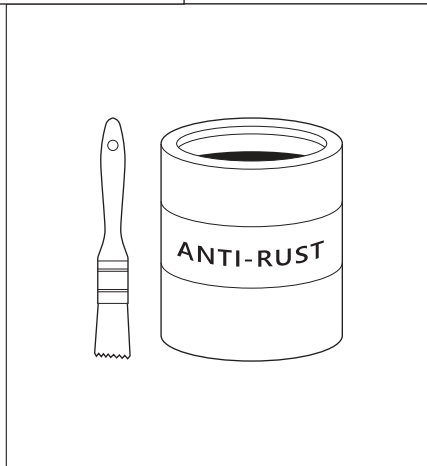
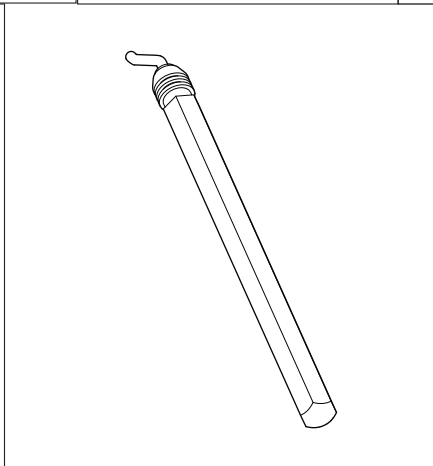
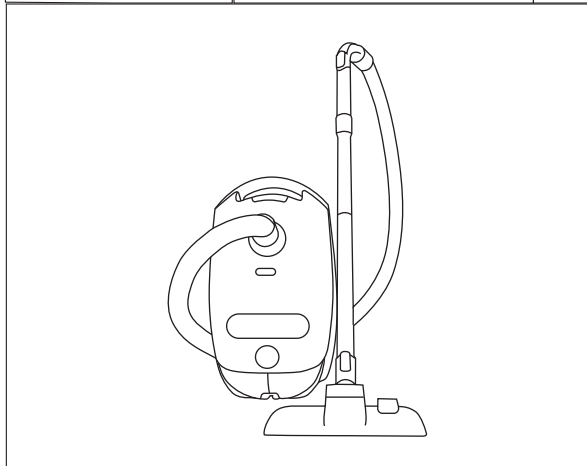
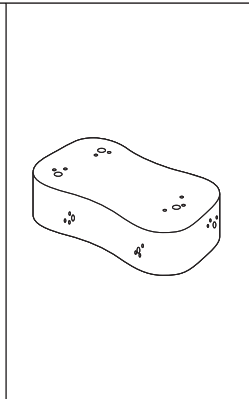
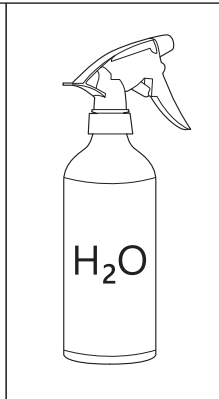
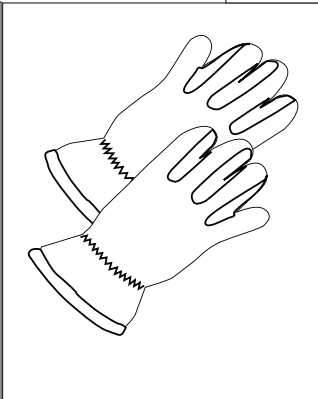
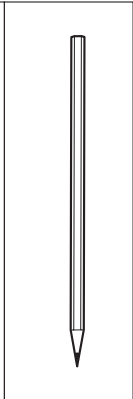
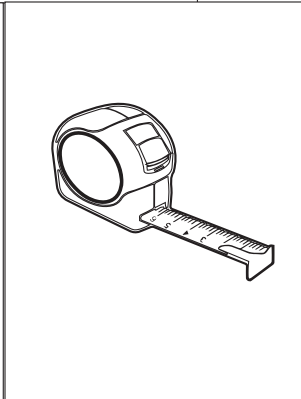
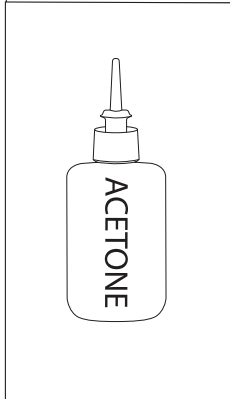
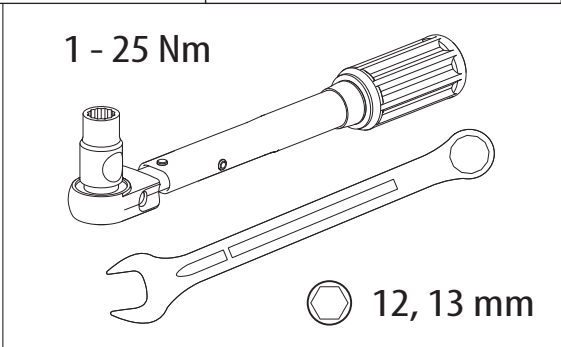
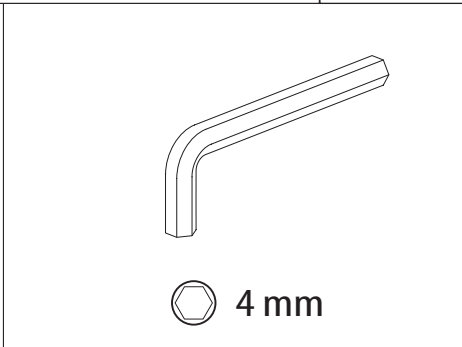
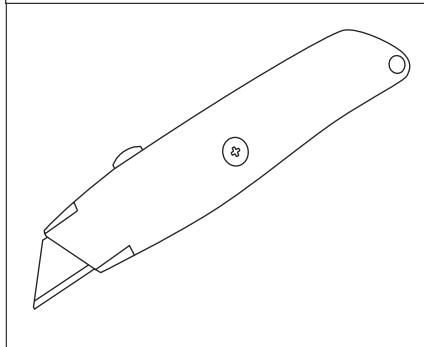
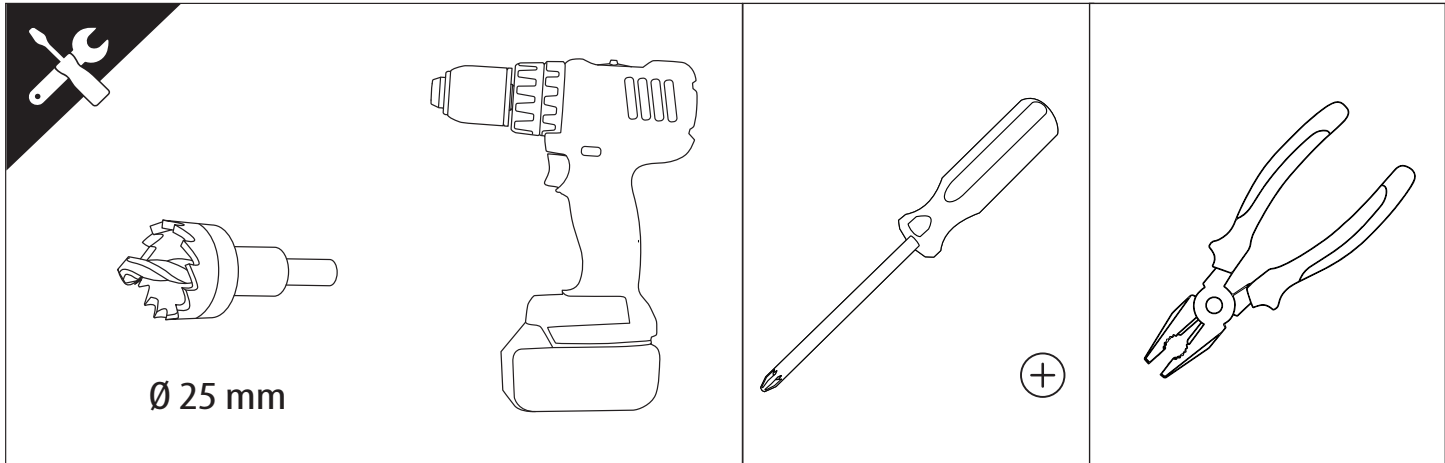


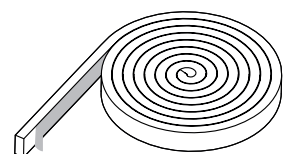
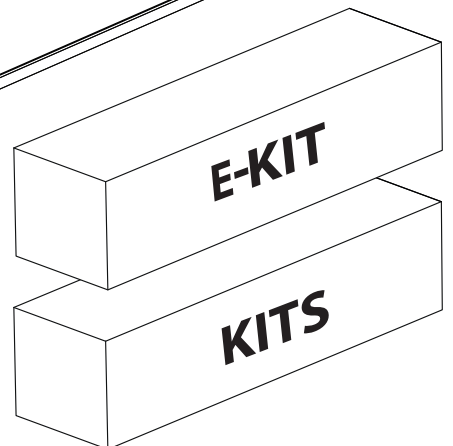
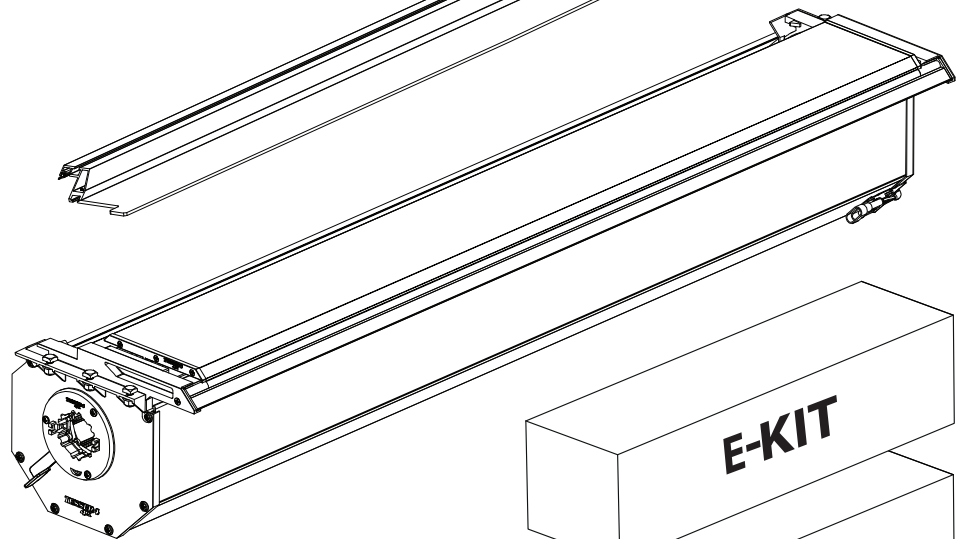
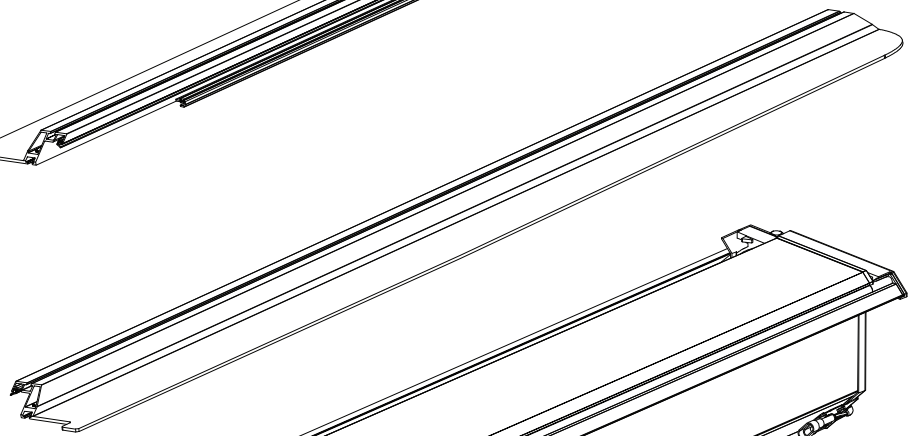
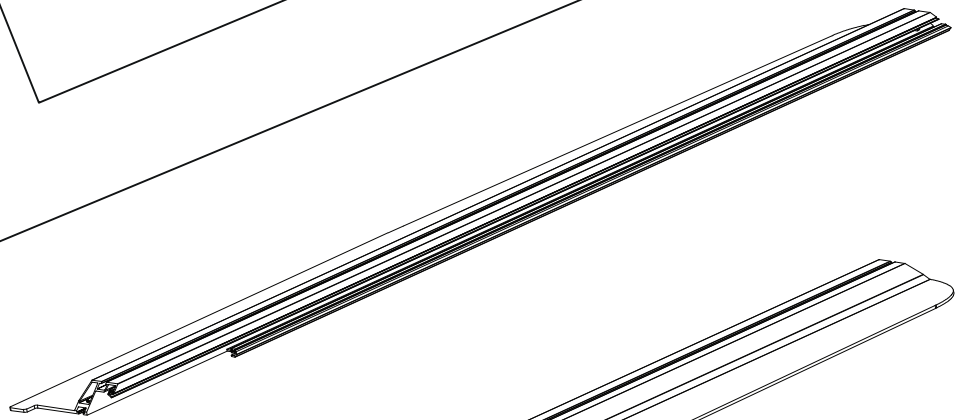
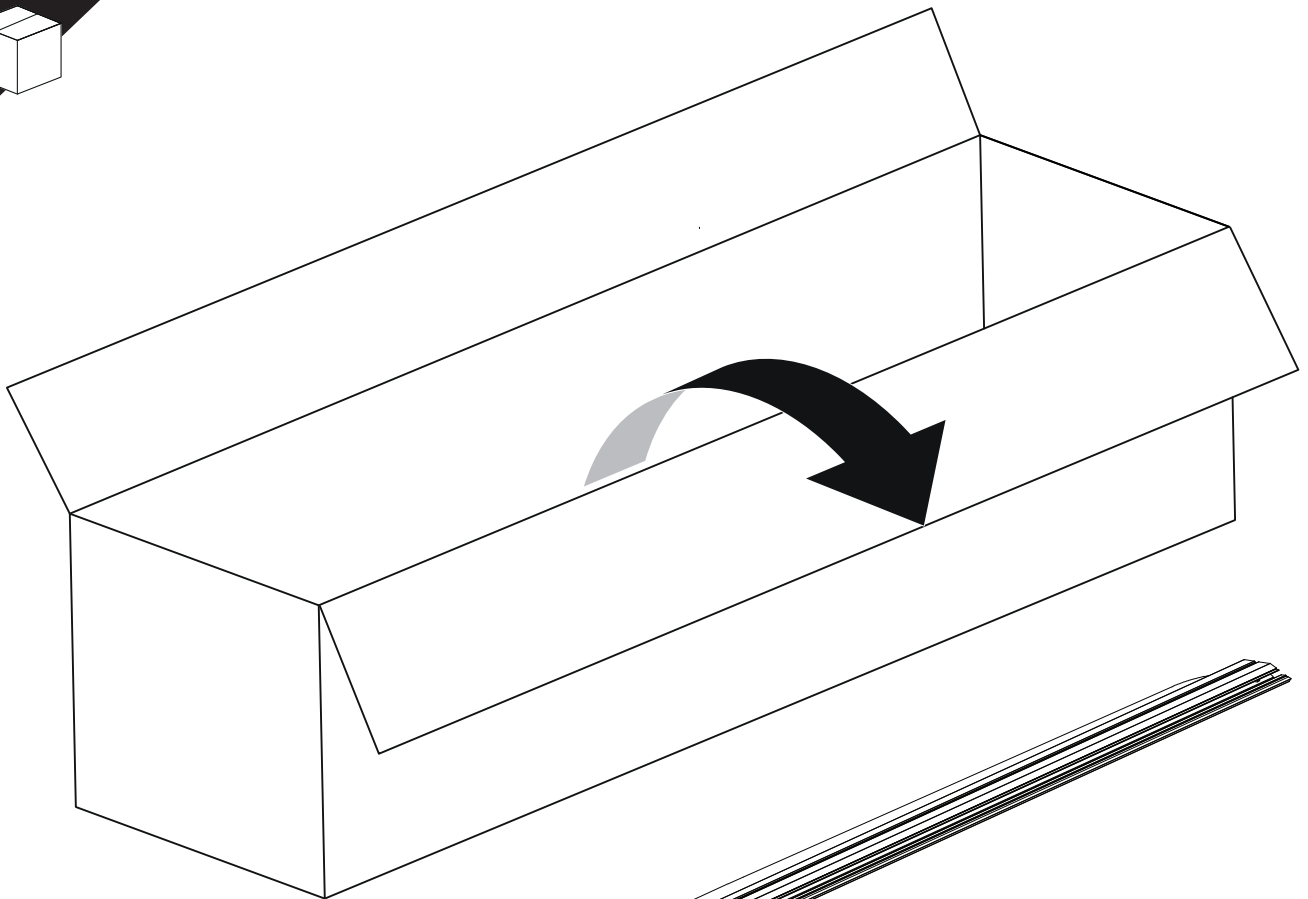
x2

S



x2



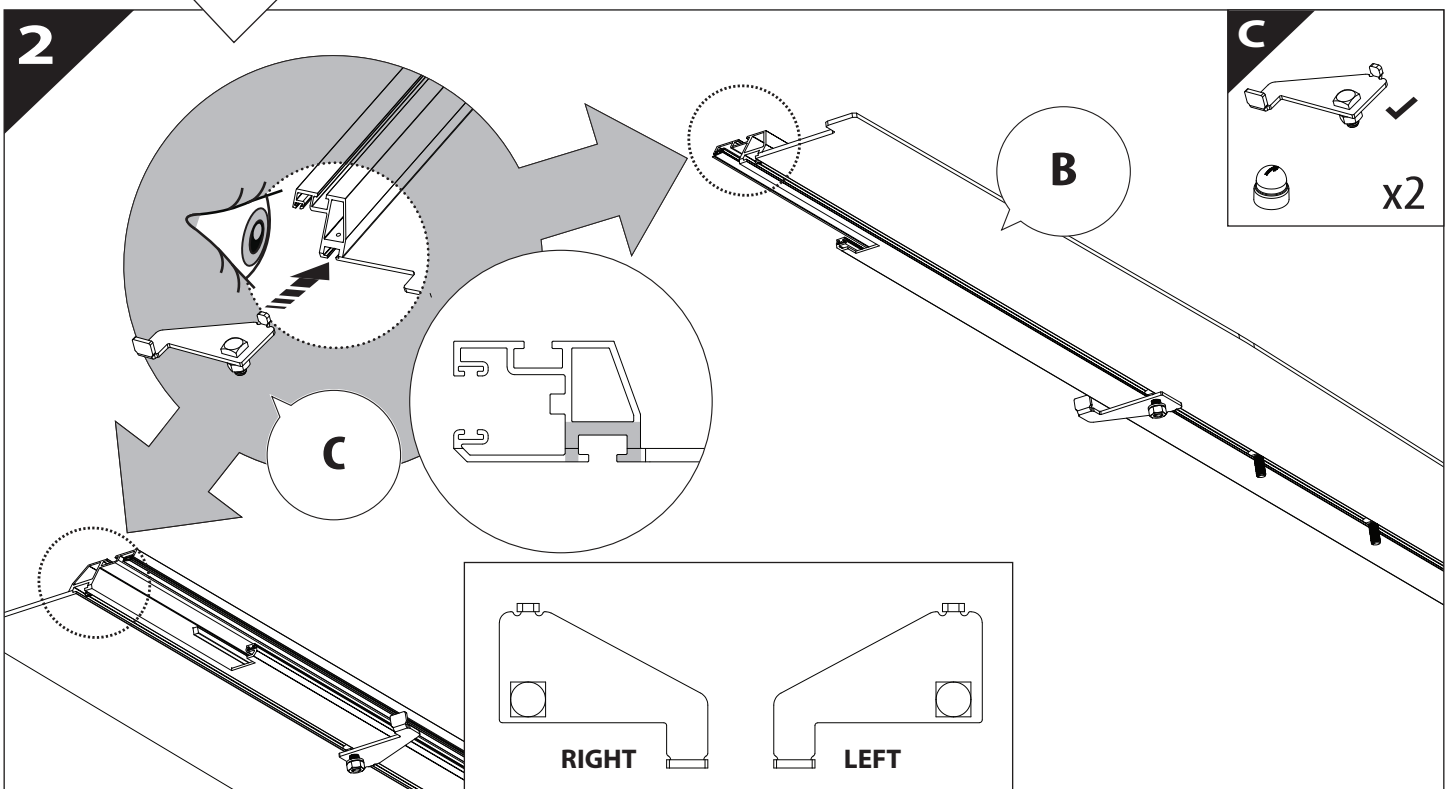
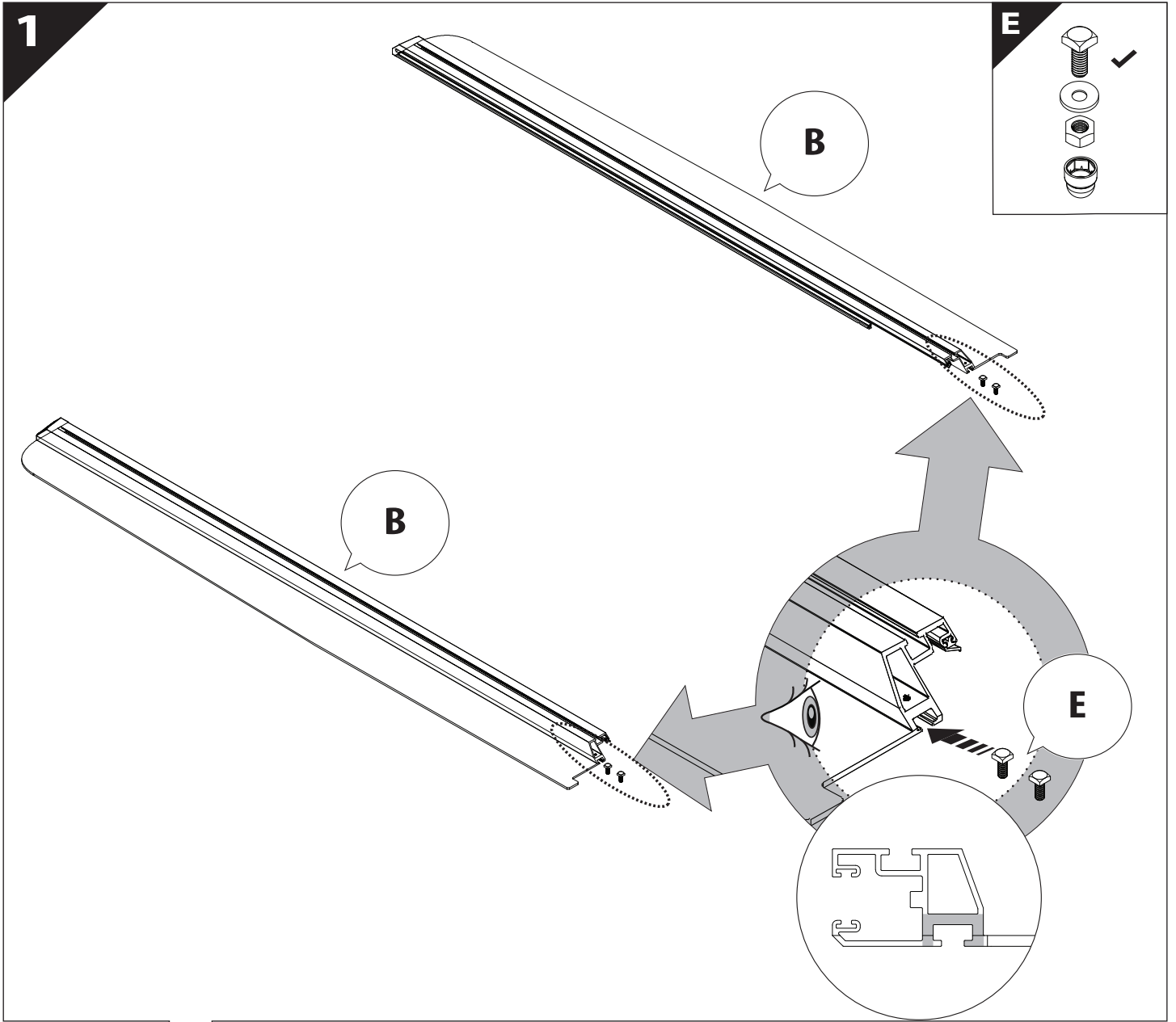


B

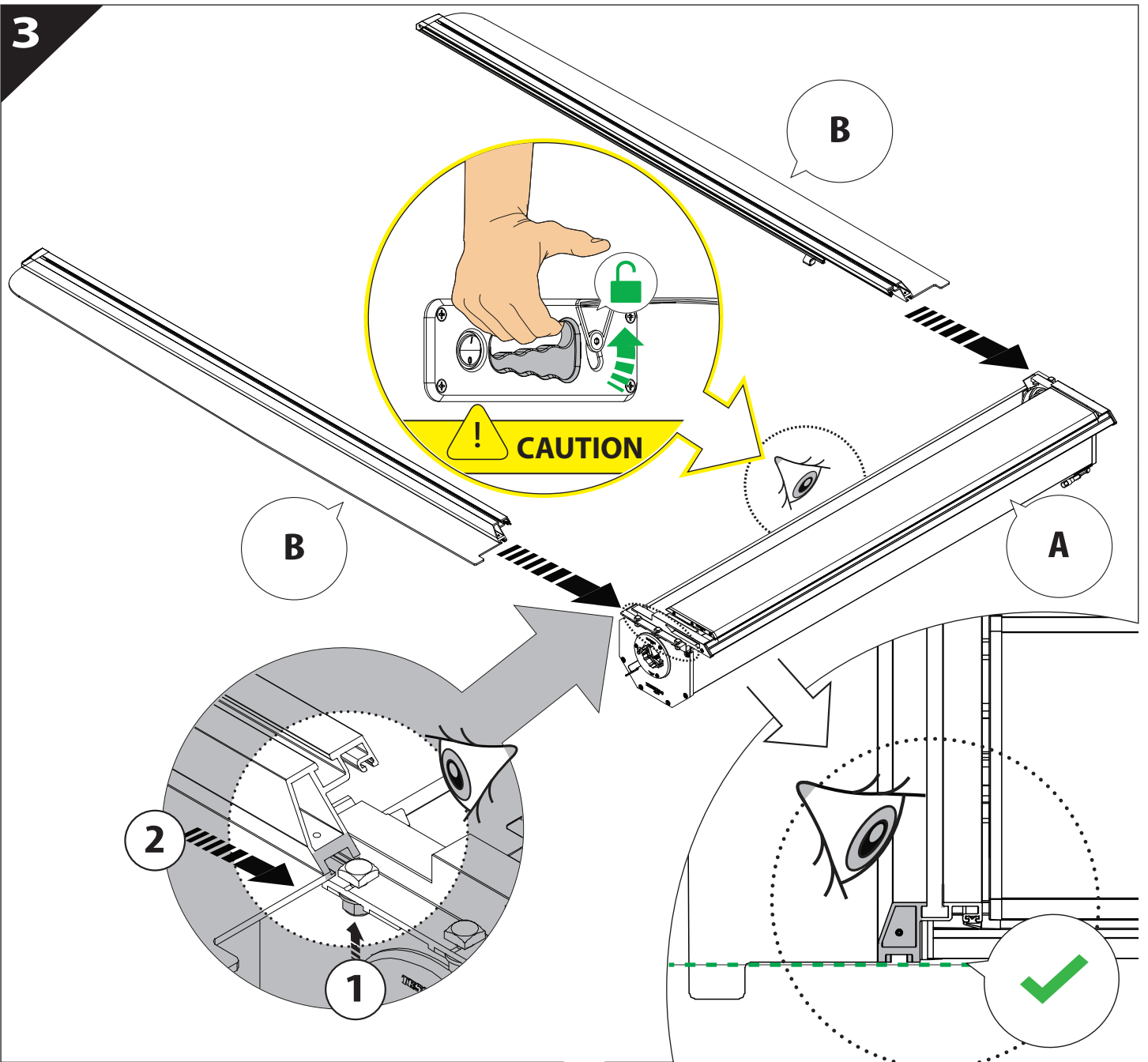
A

KITS

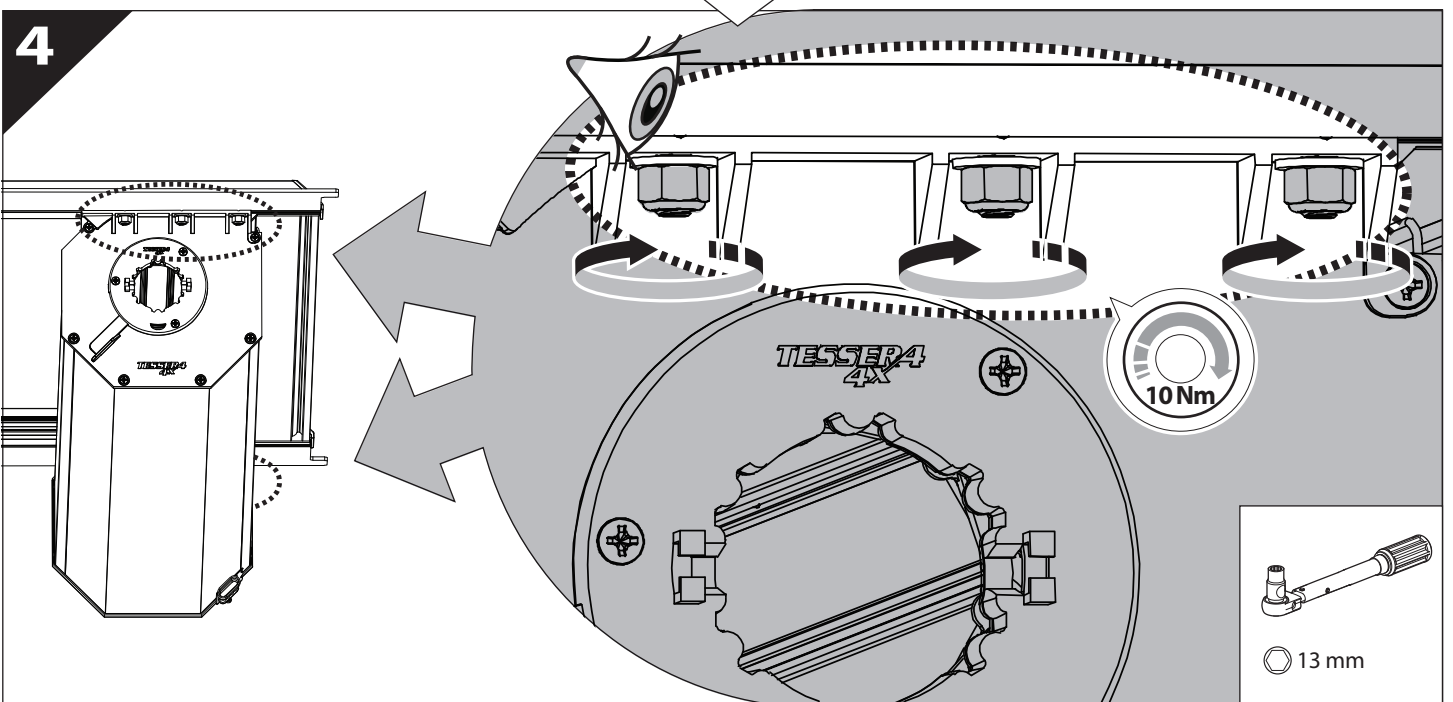
L

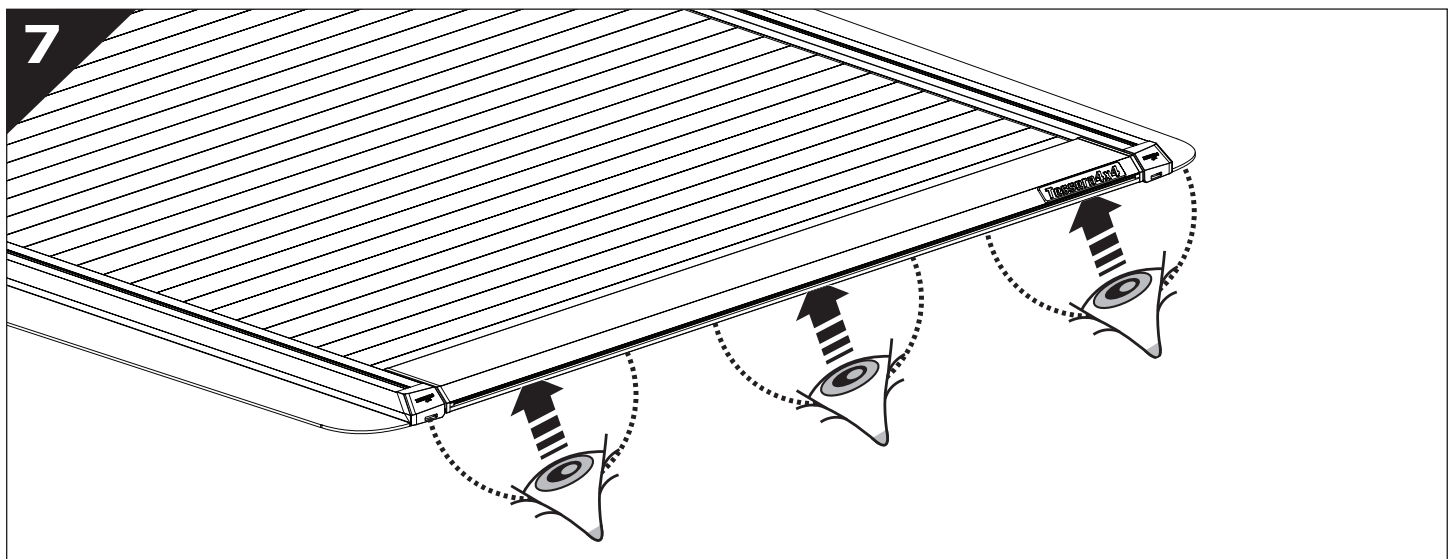
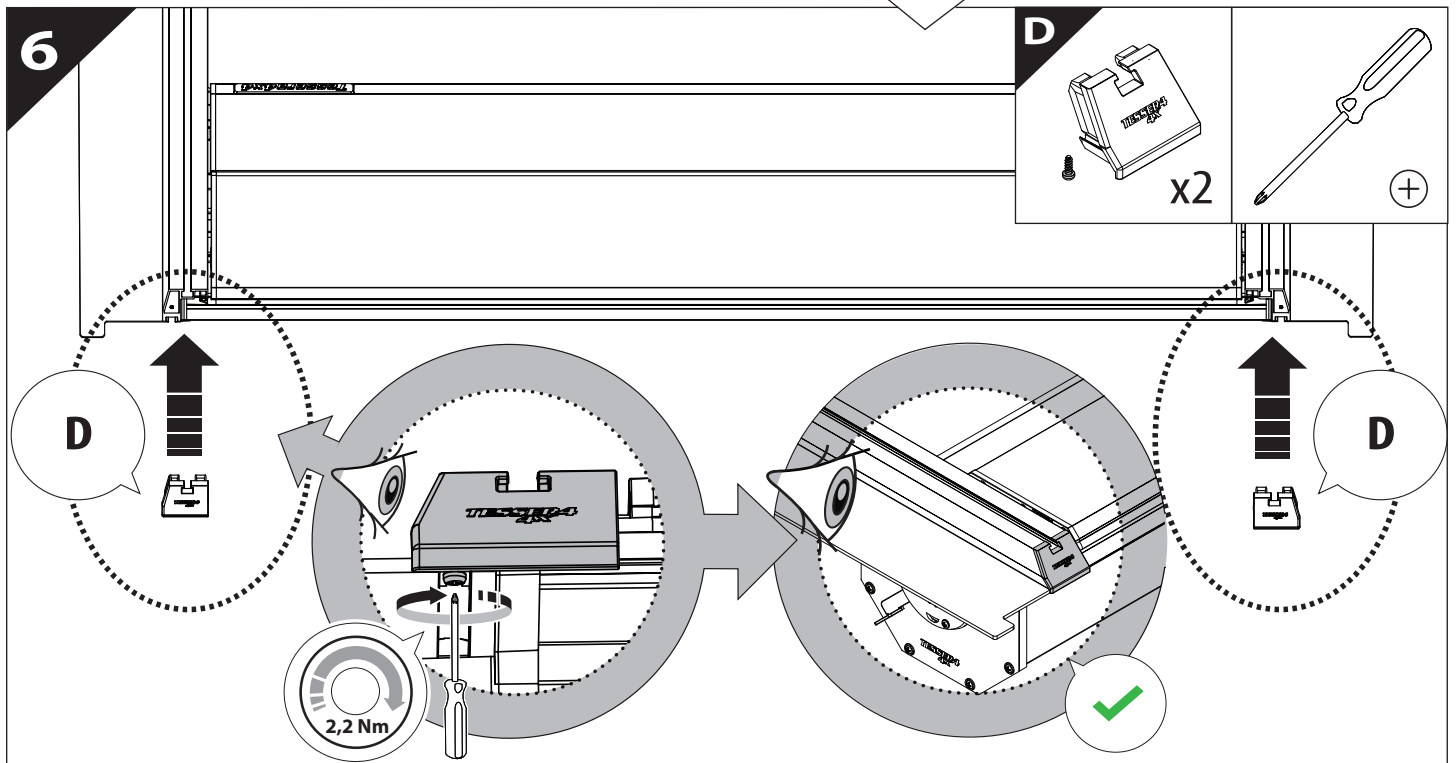
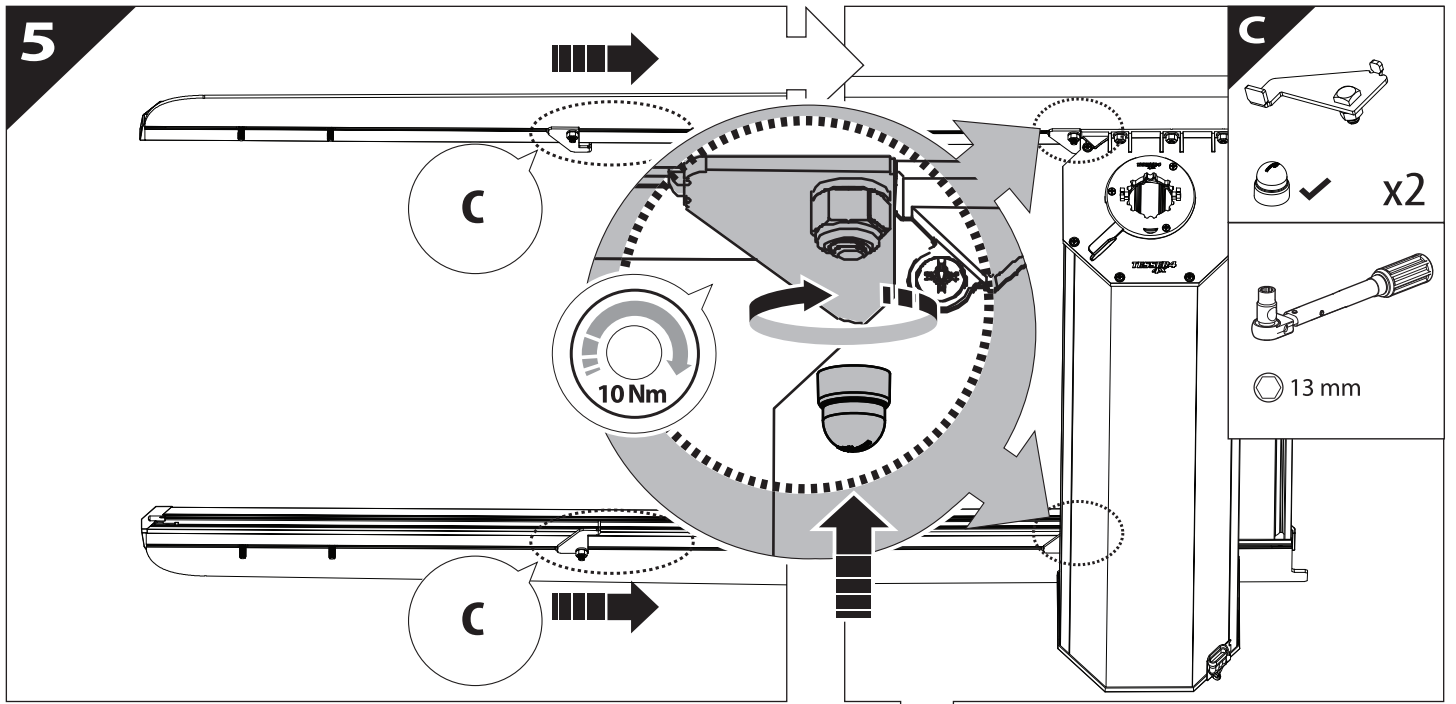


3



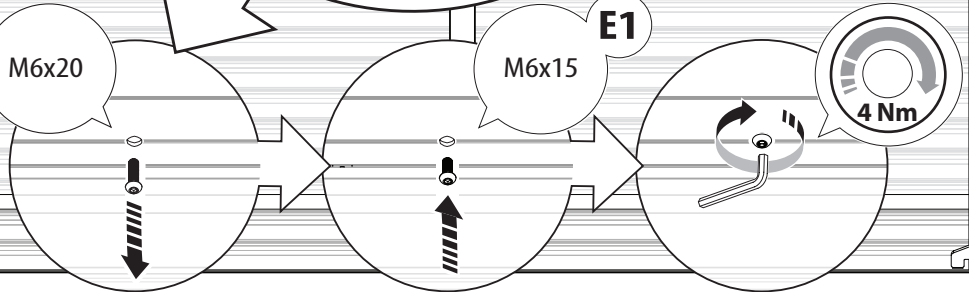
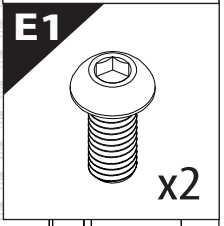
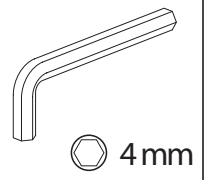
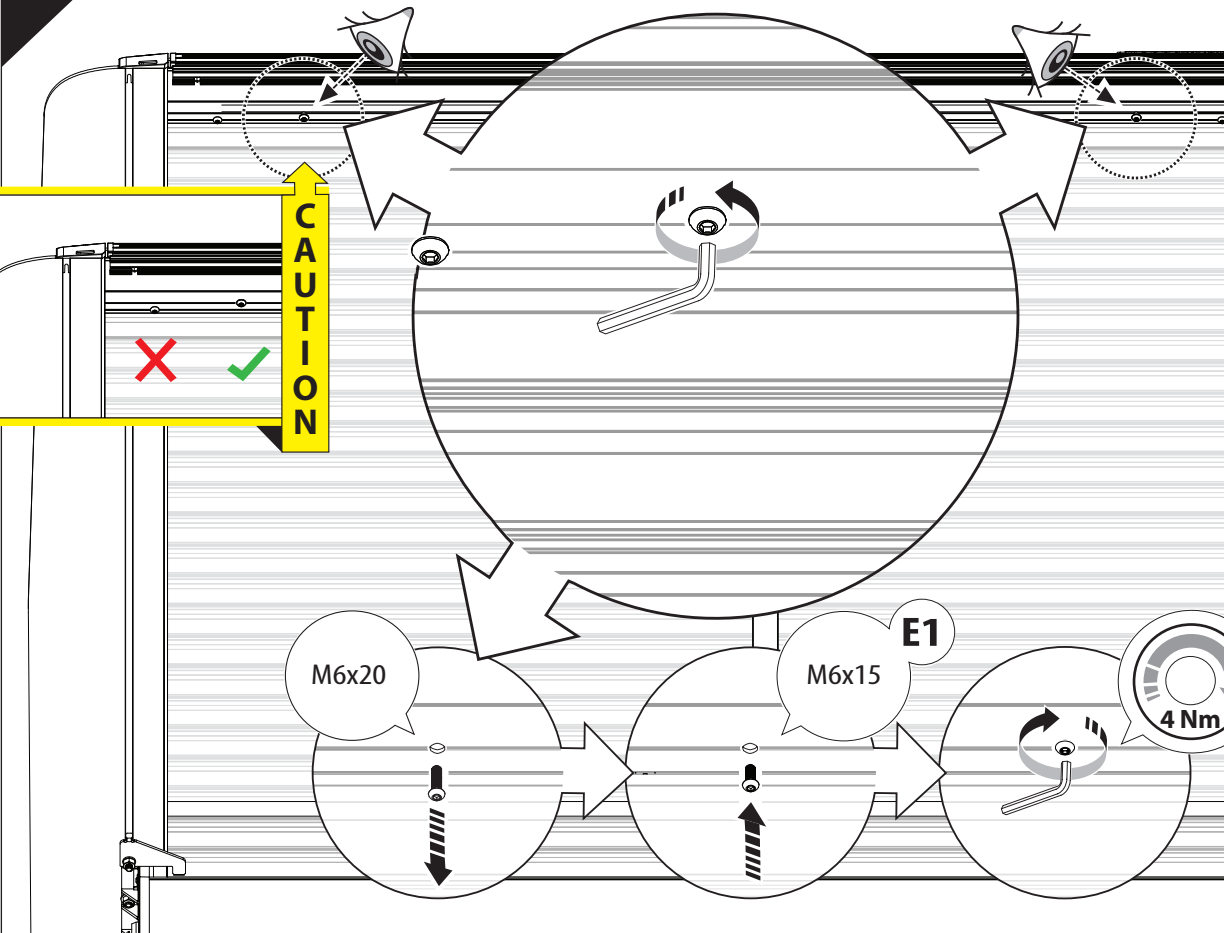
4



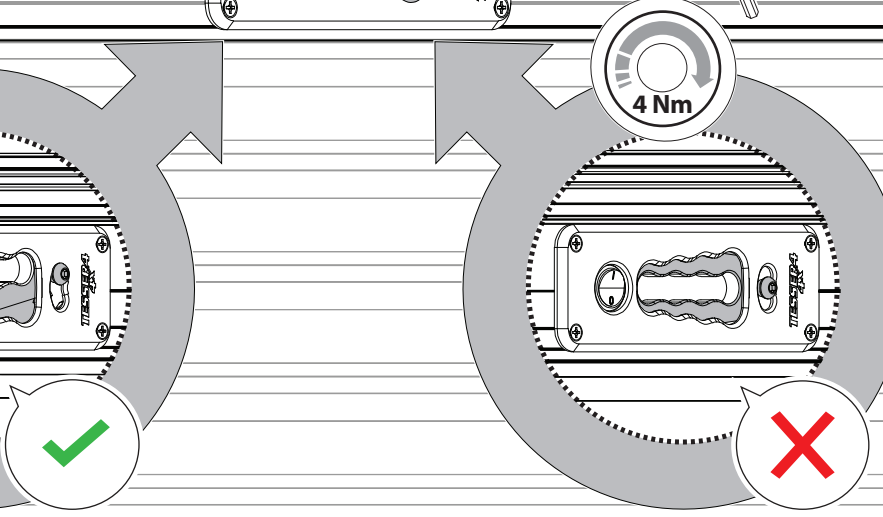
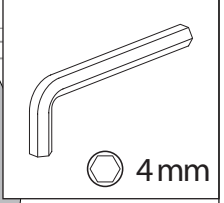
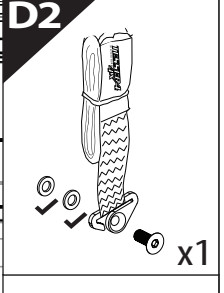
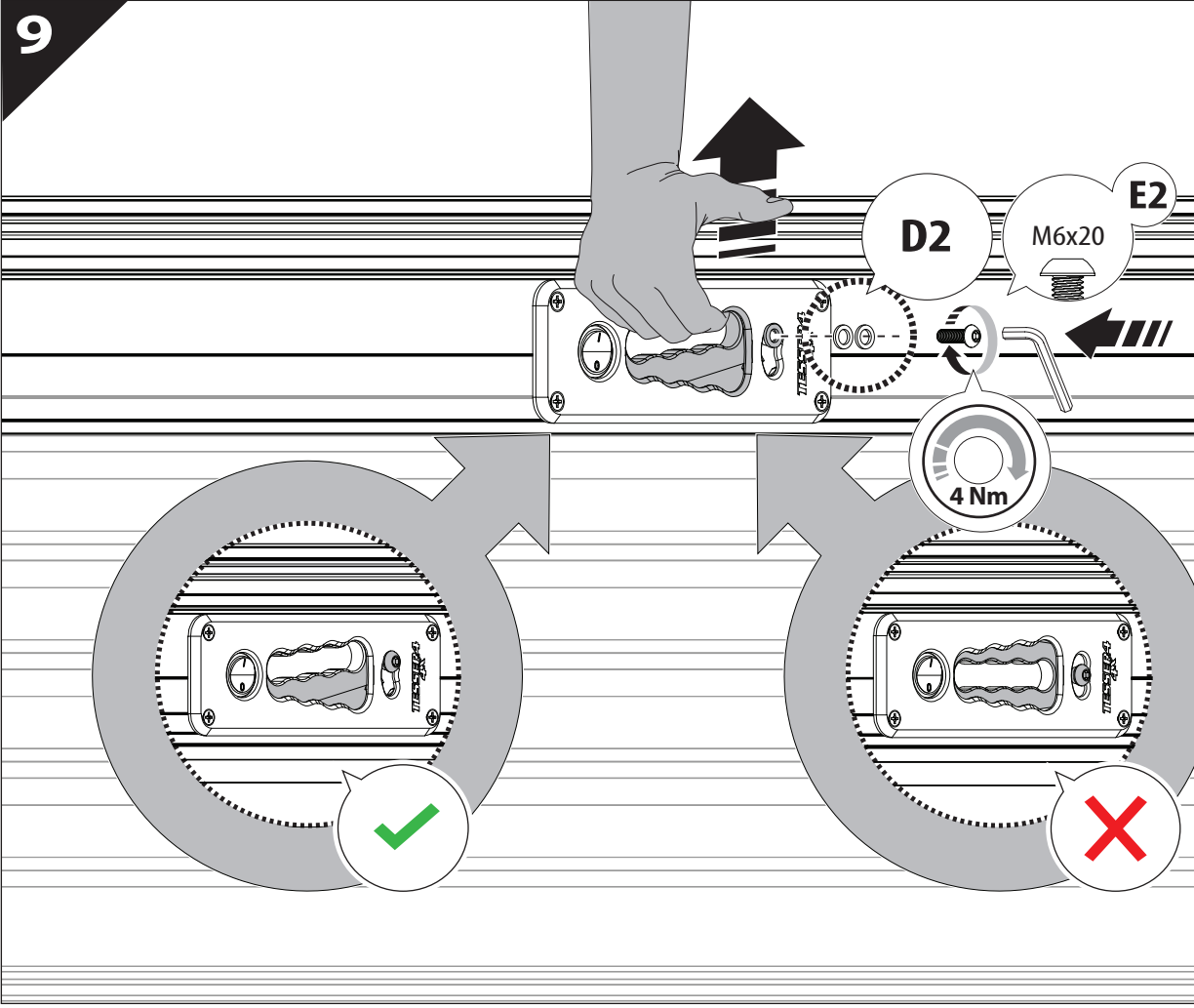


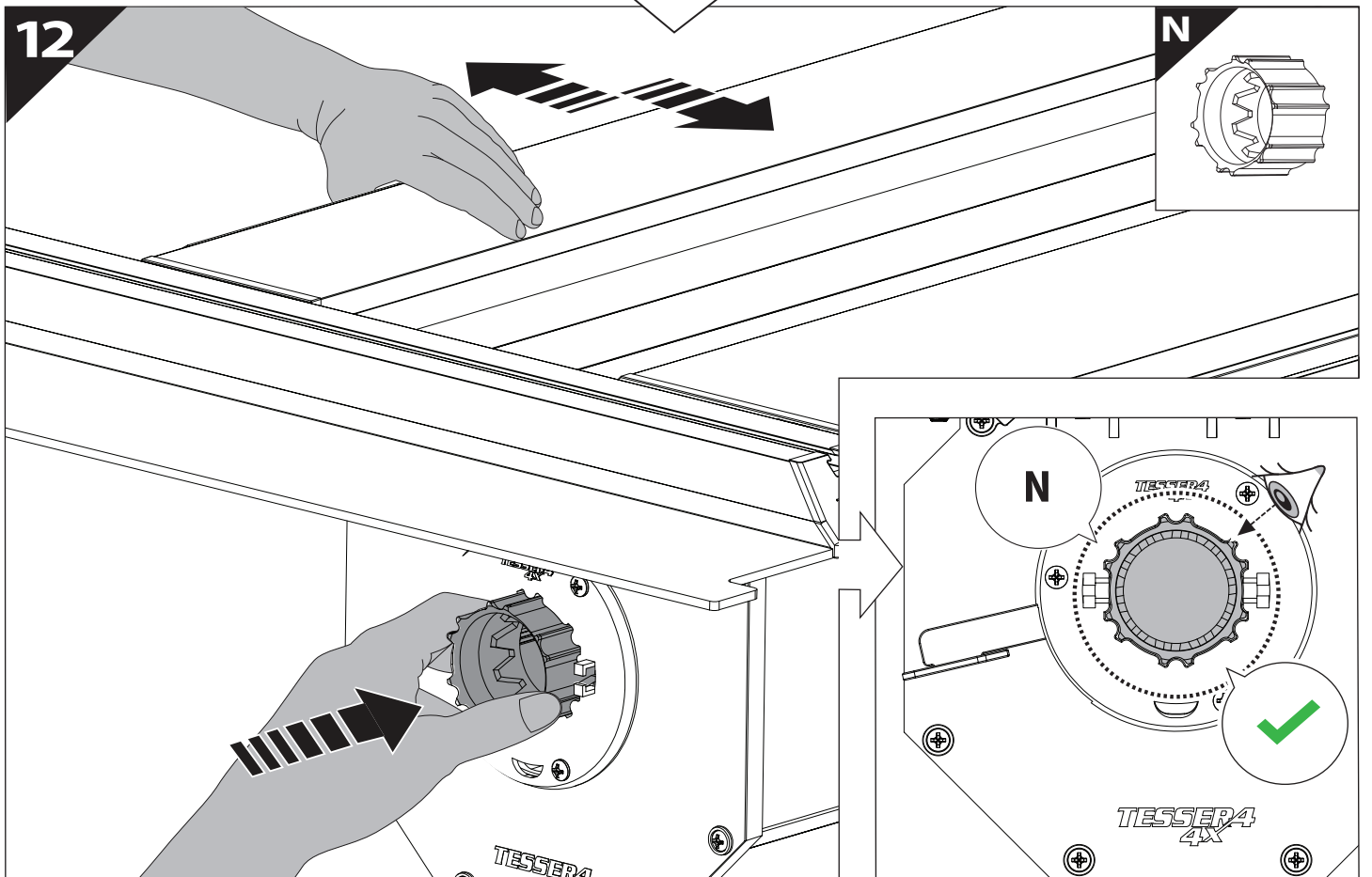
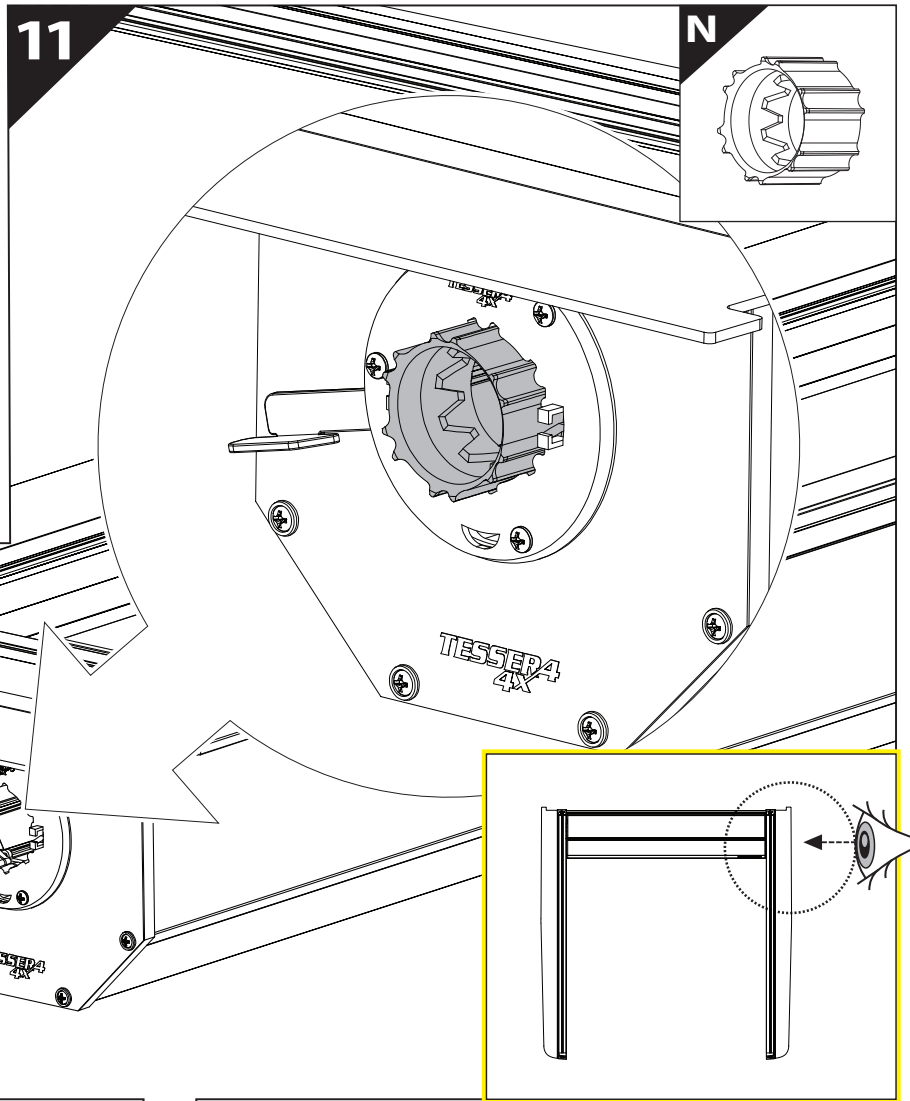
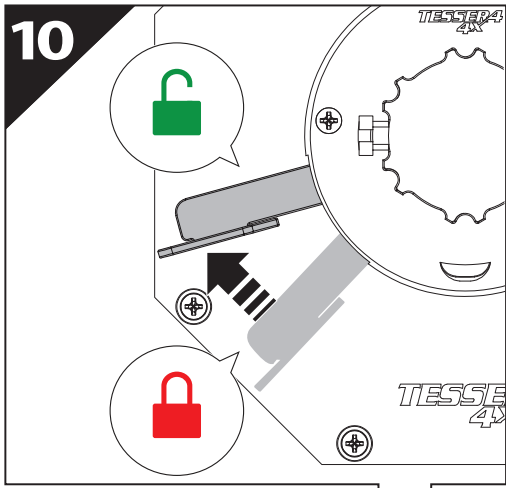
8

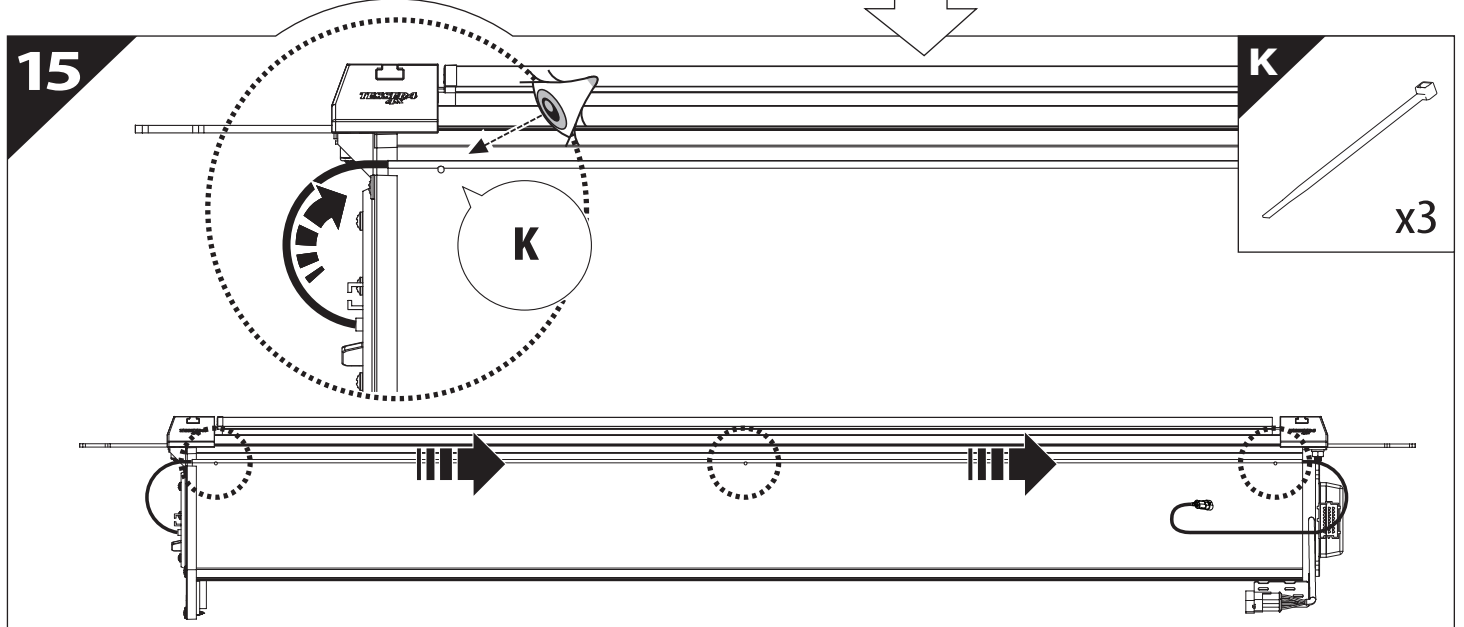
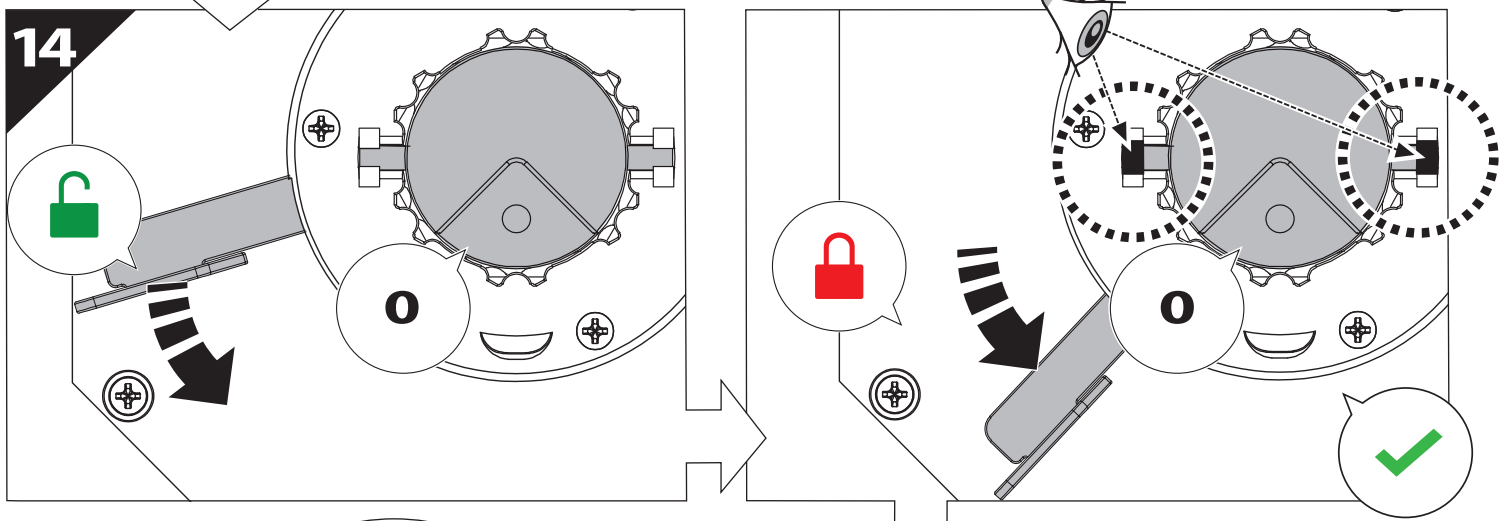
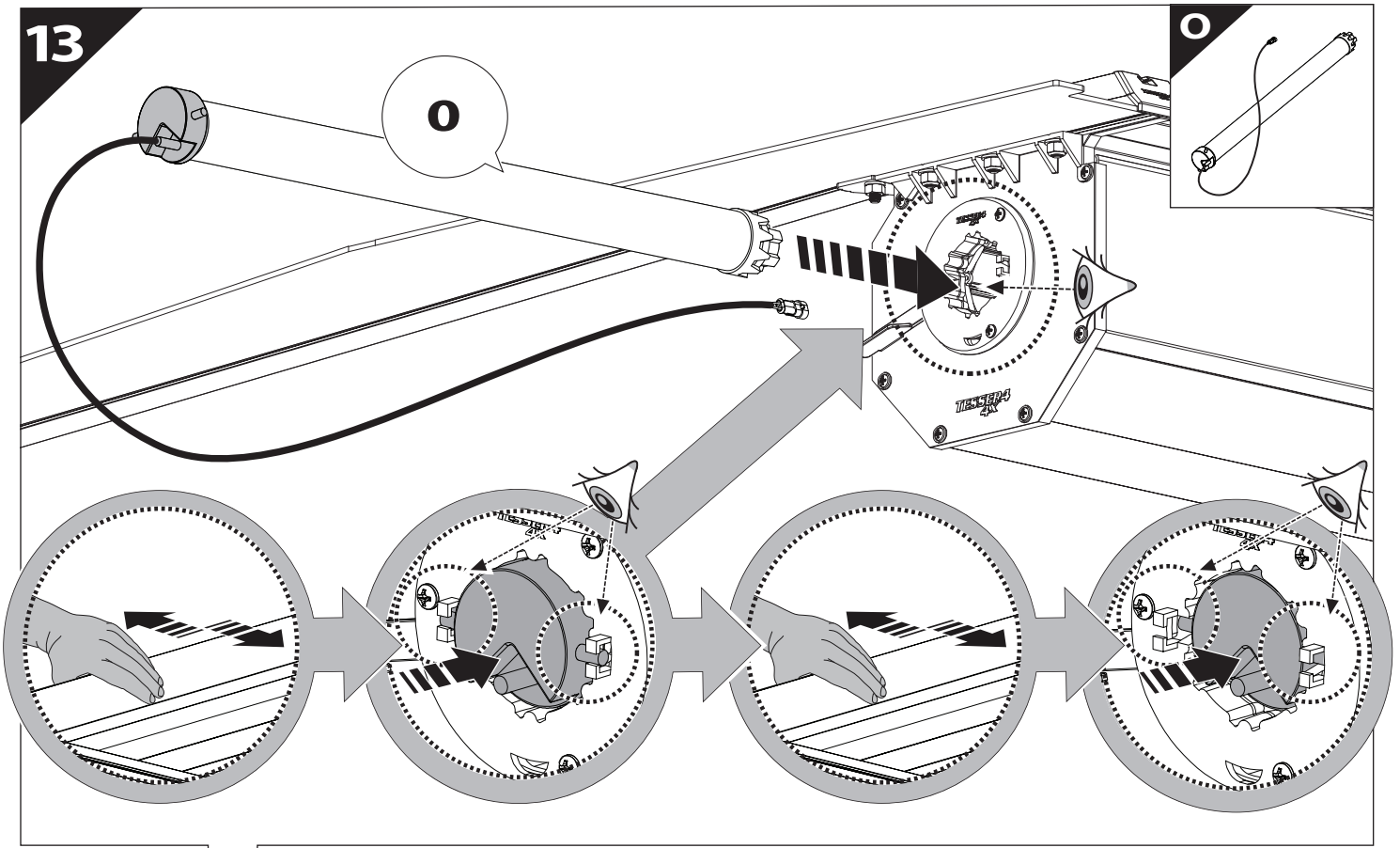
CAUTION

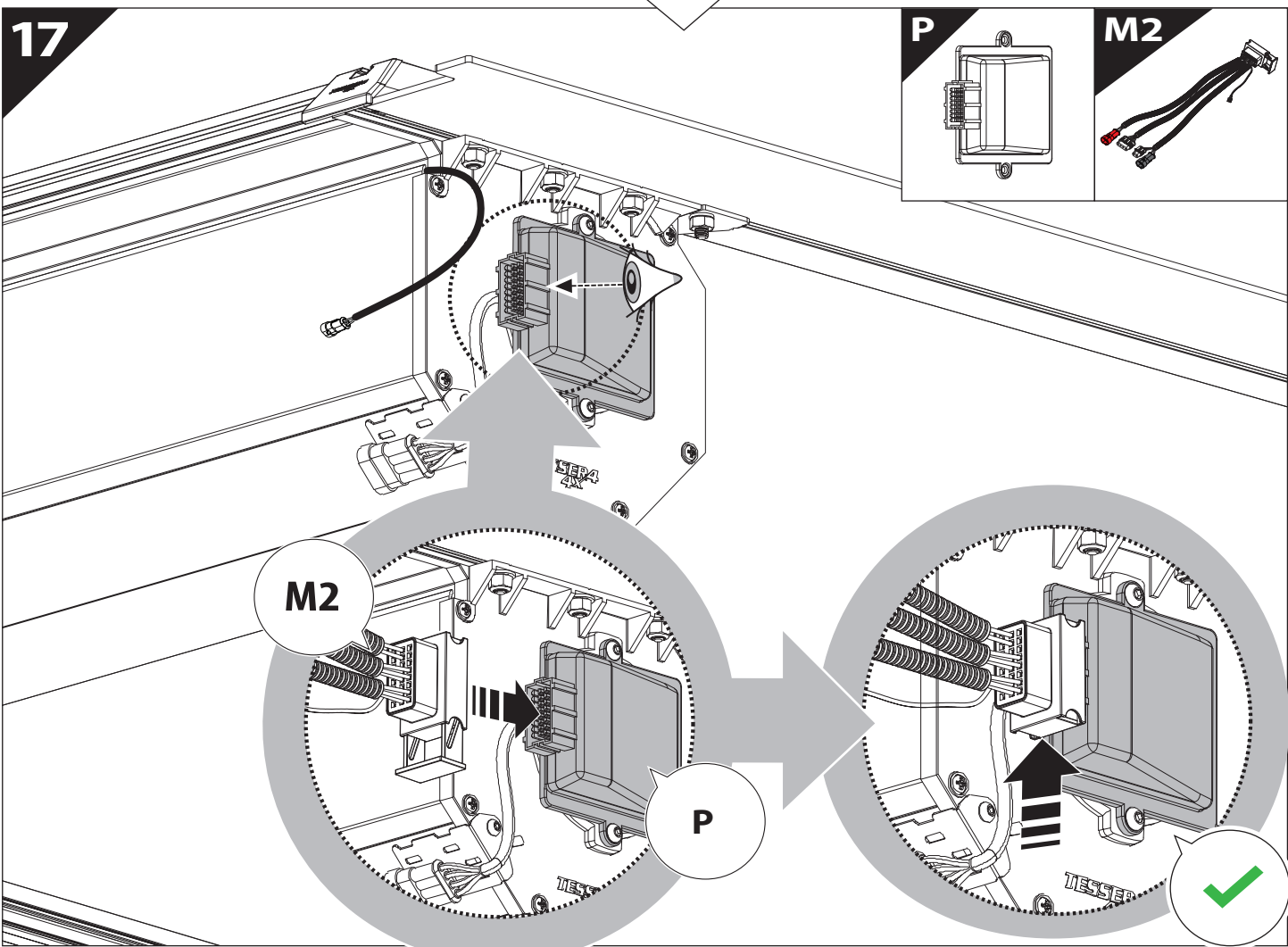
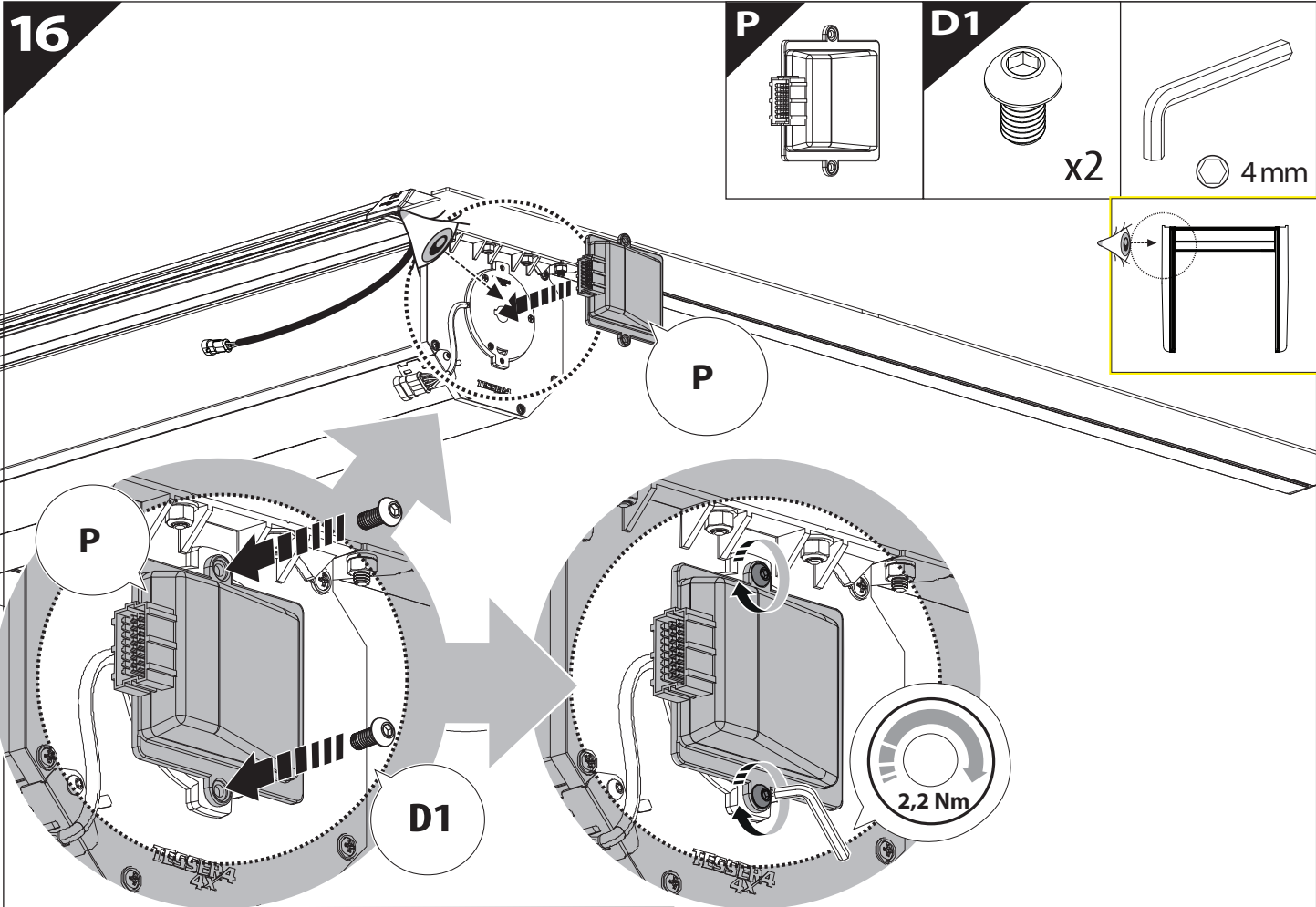


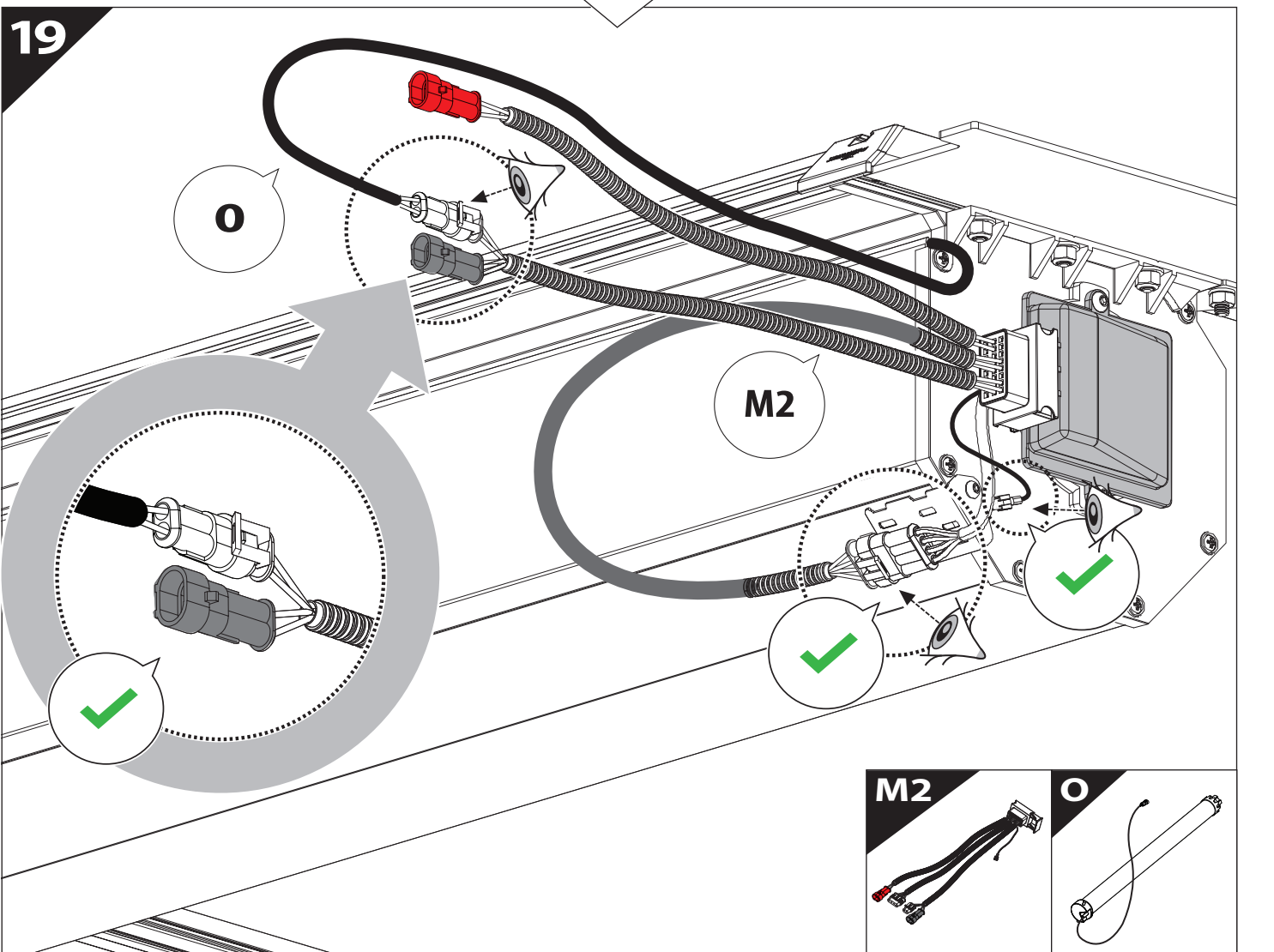
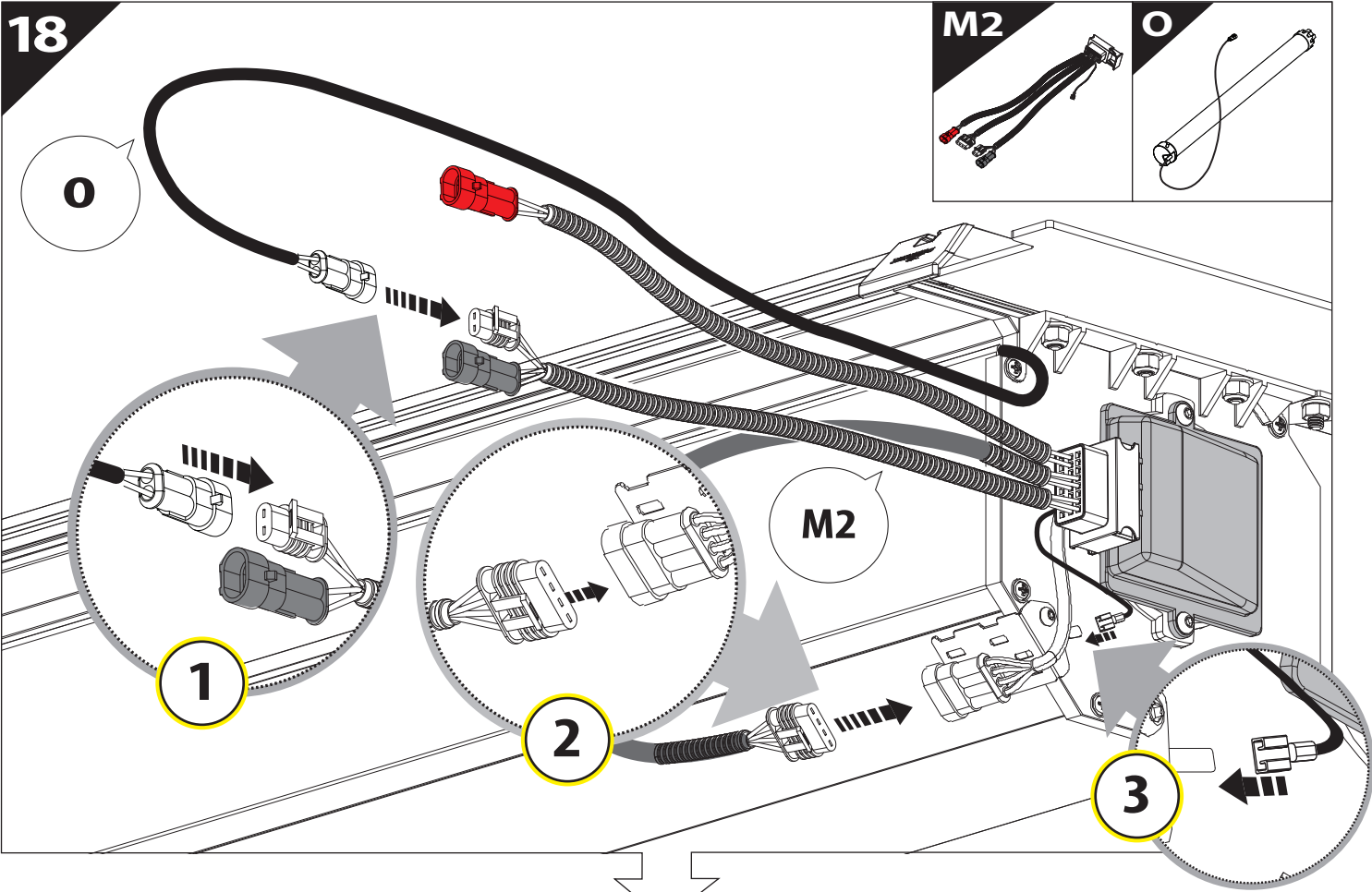
9

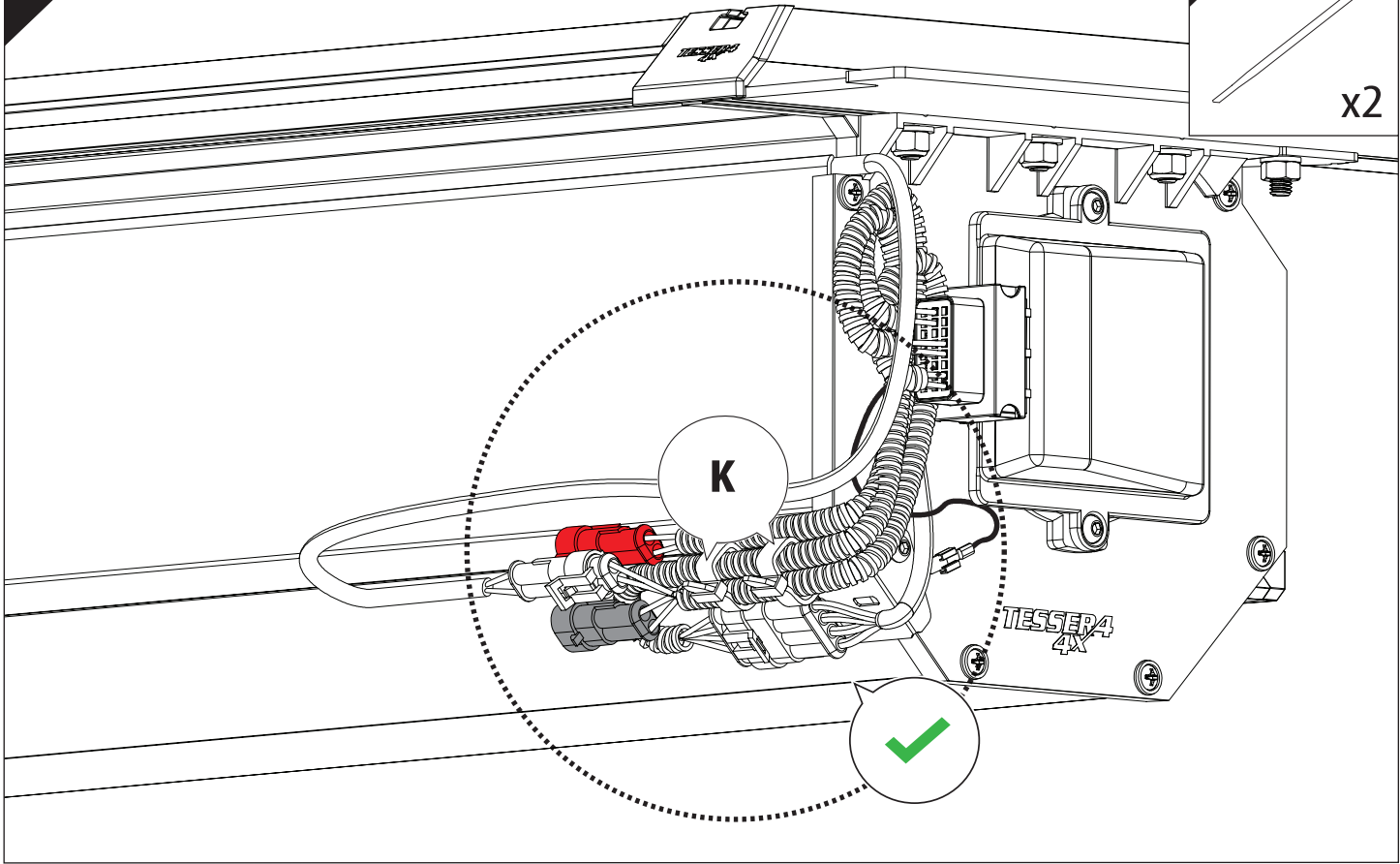




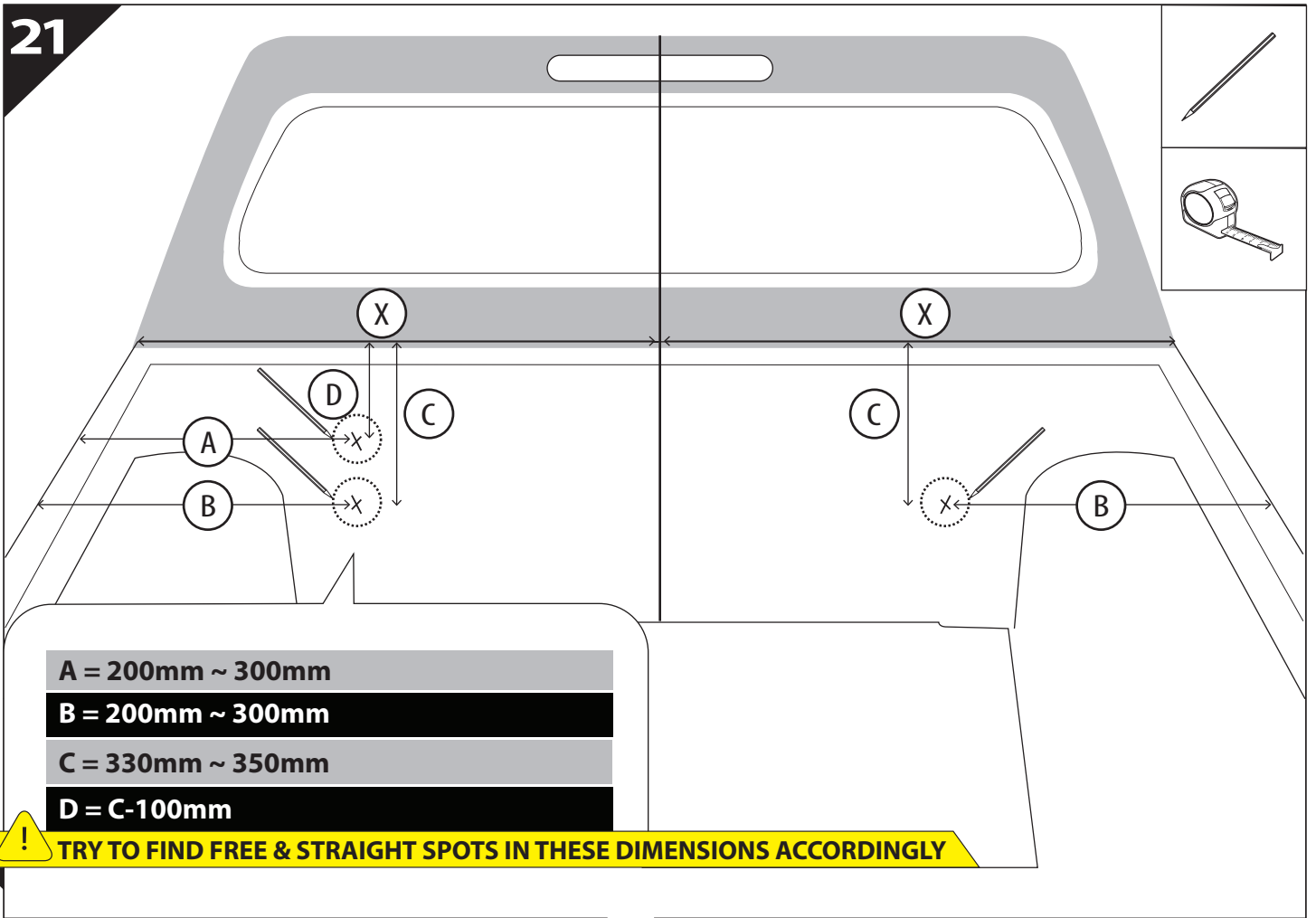








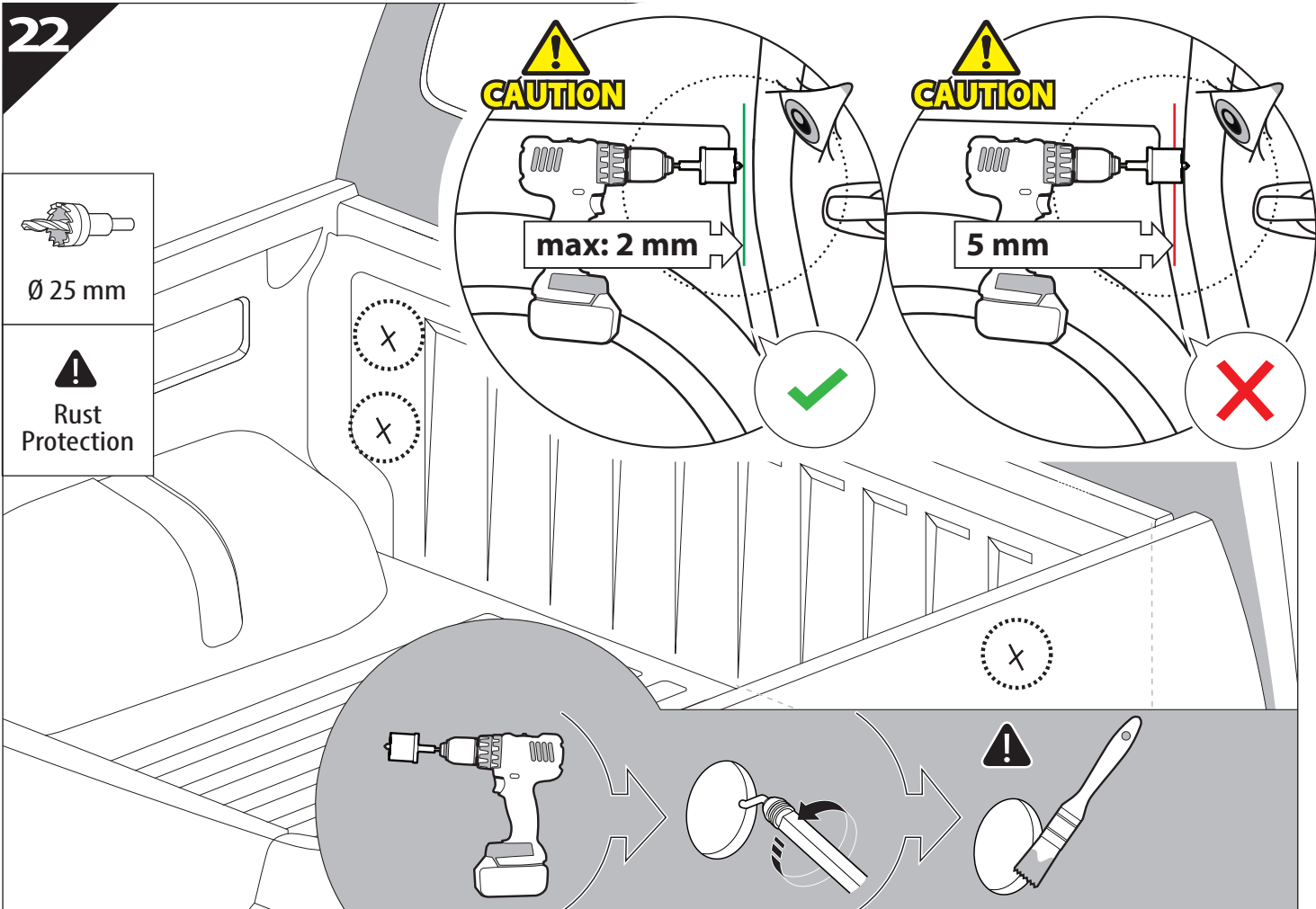
21

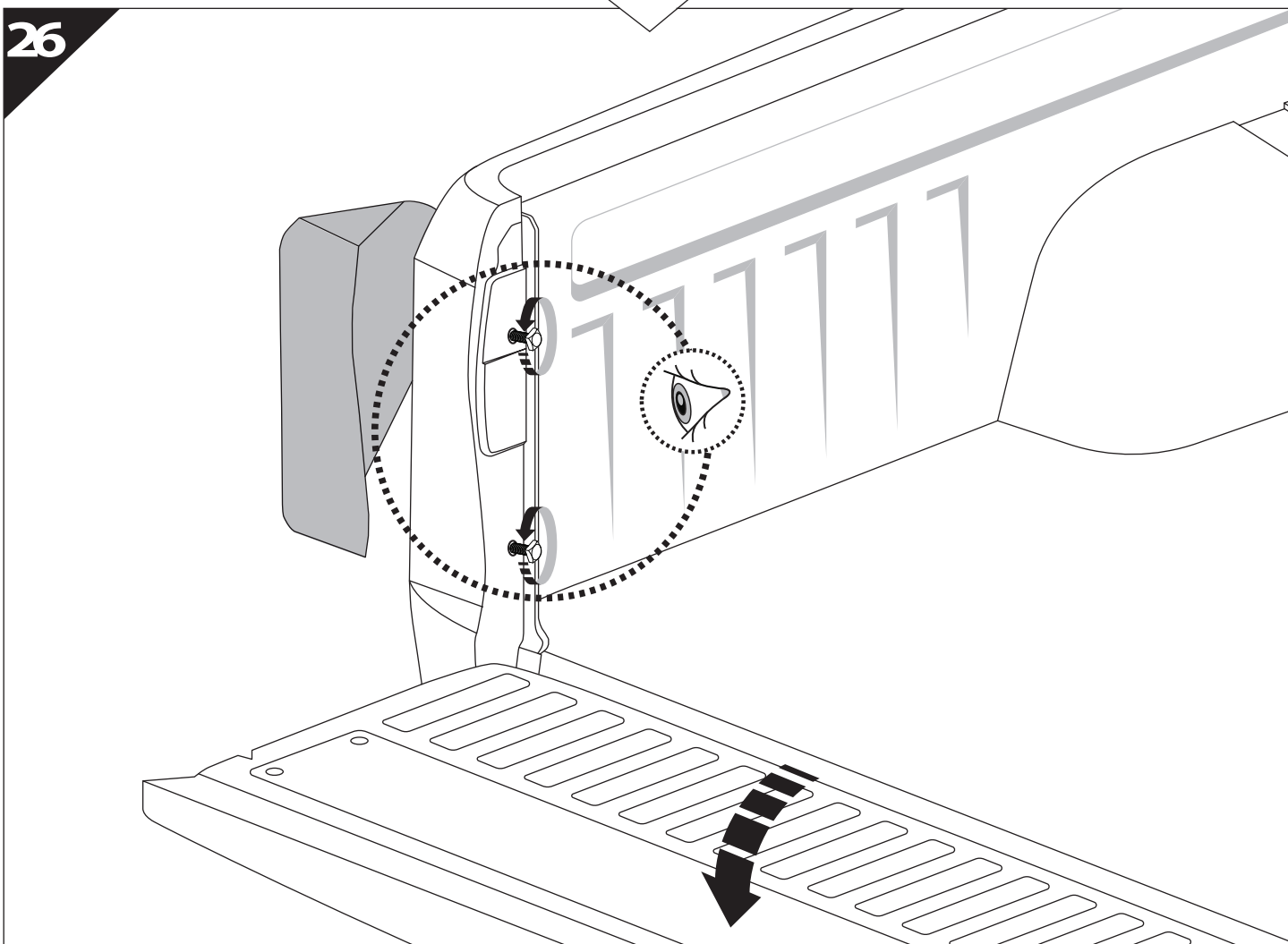
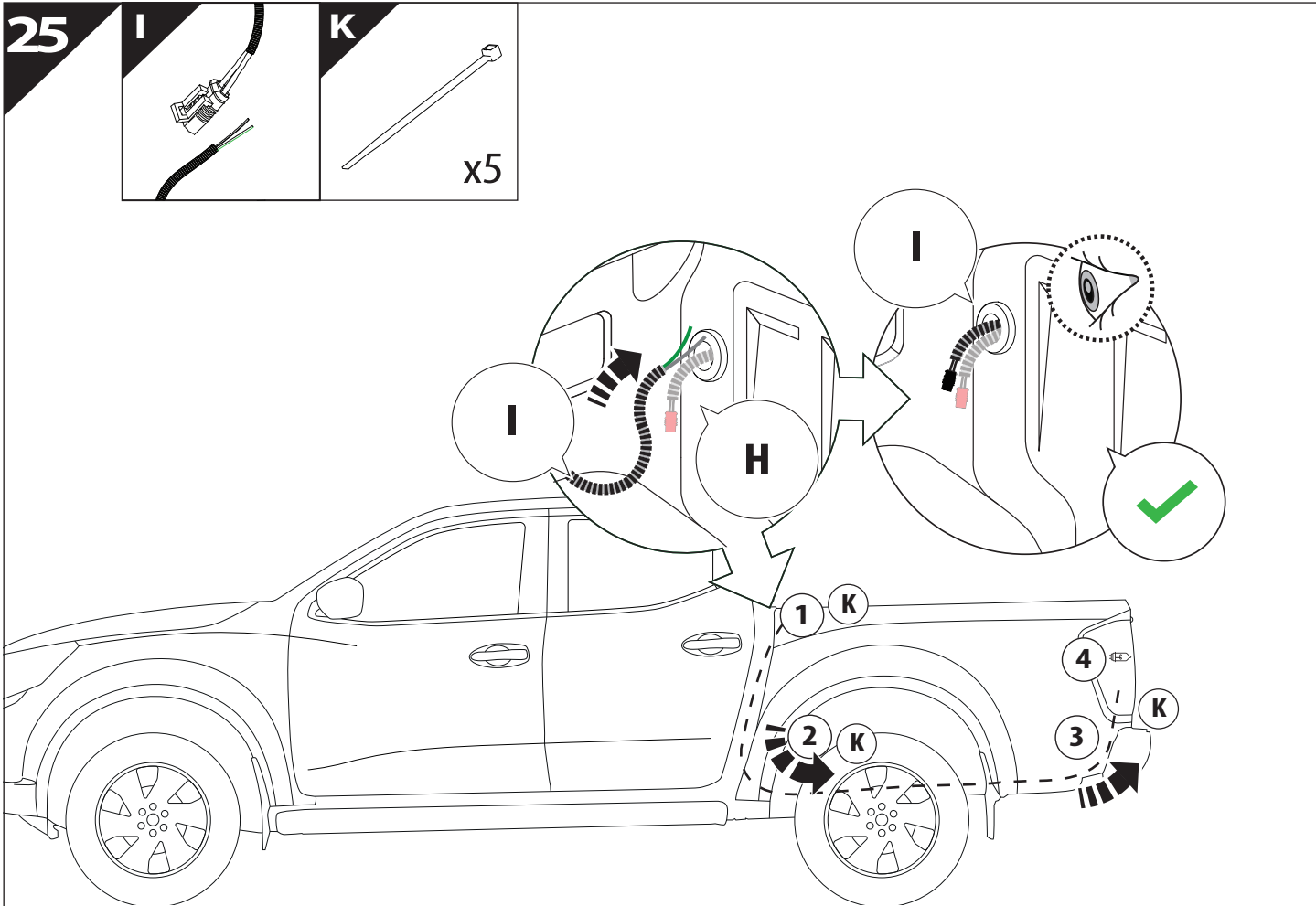


- A = 200mm ~ 300mm
- B = 200mm ~ 300mm
- C = 330mm ~ 350mm
- D = C-100mm

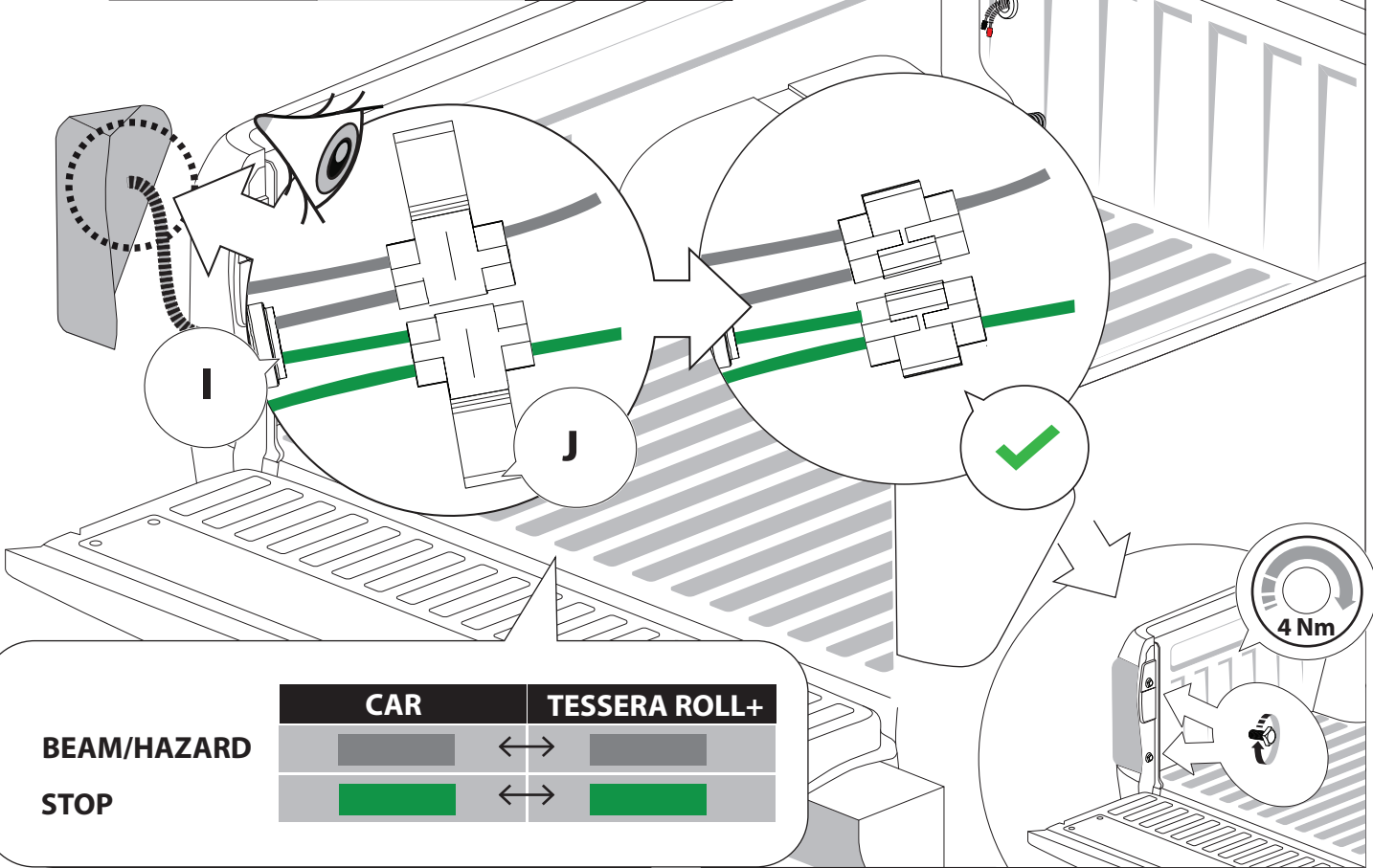
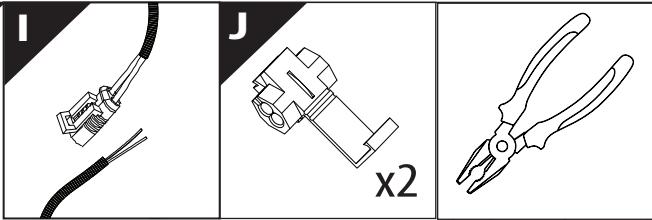
! TRY TO FIND FREE & STRAIGHT SPOTS IN THESE DIMENSIONS ACCORDINGLY

22

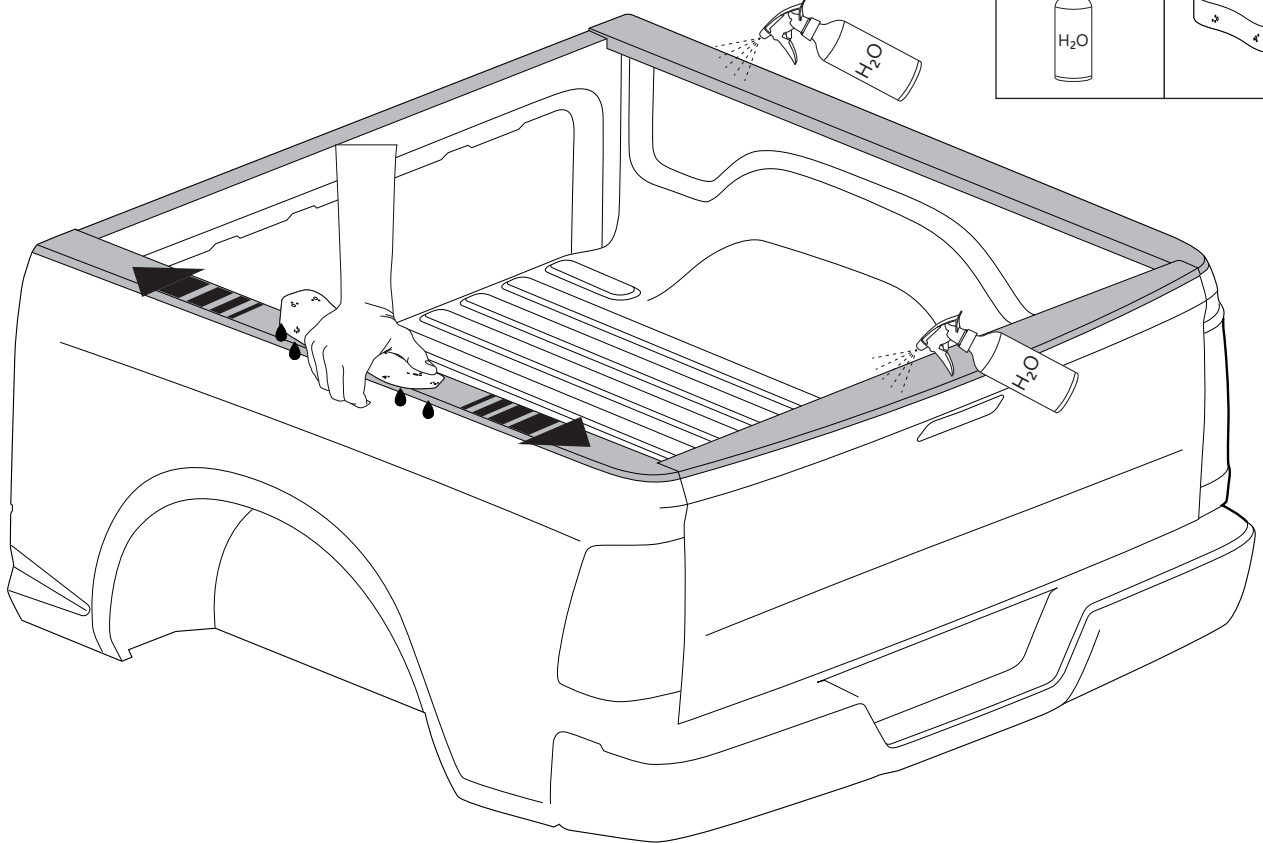
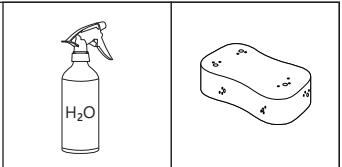


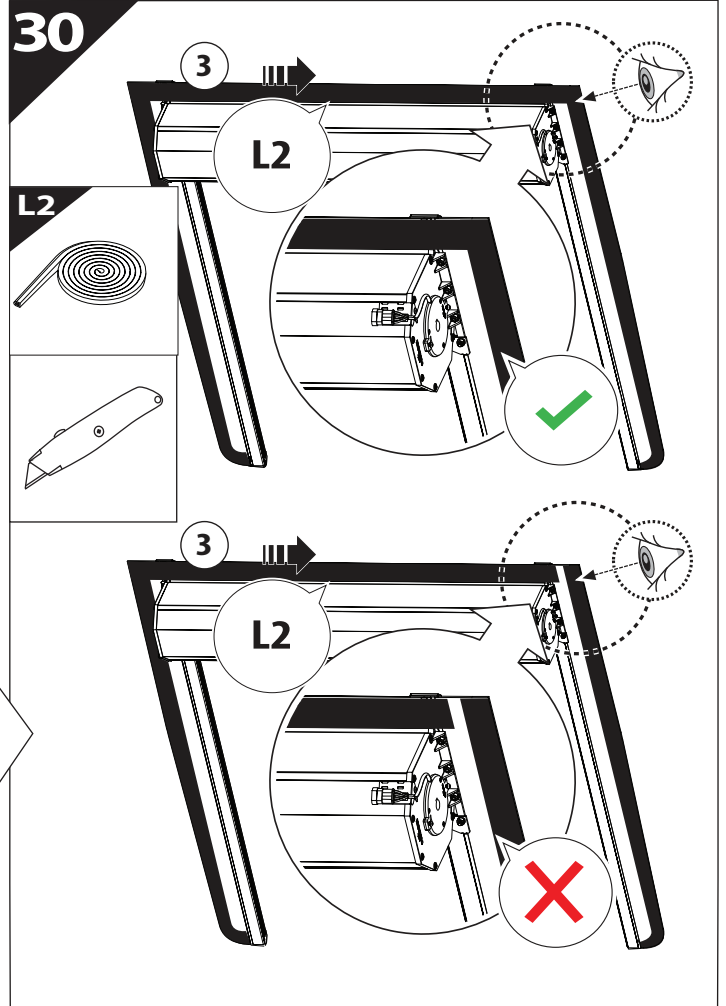
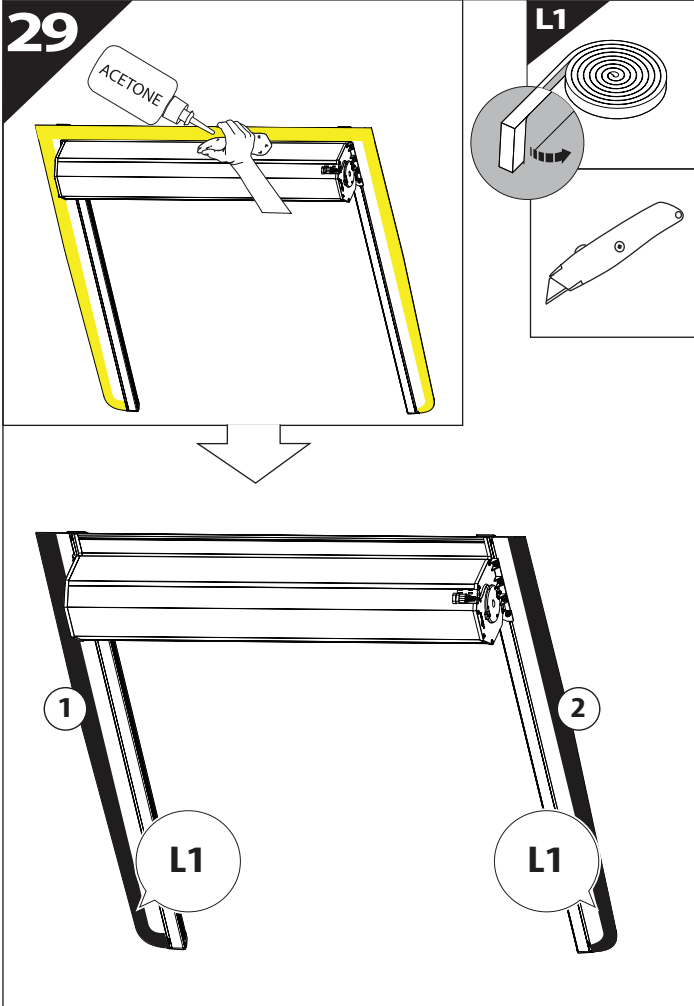


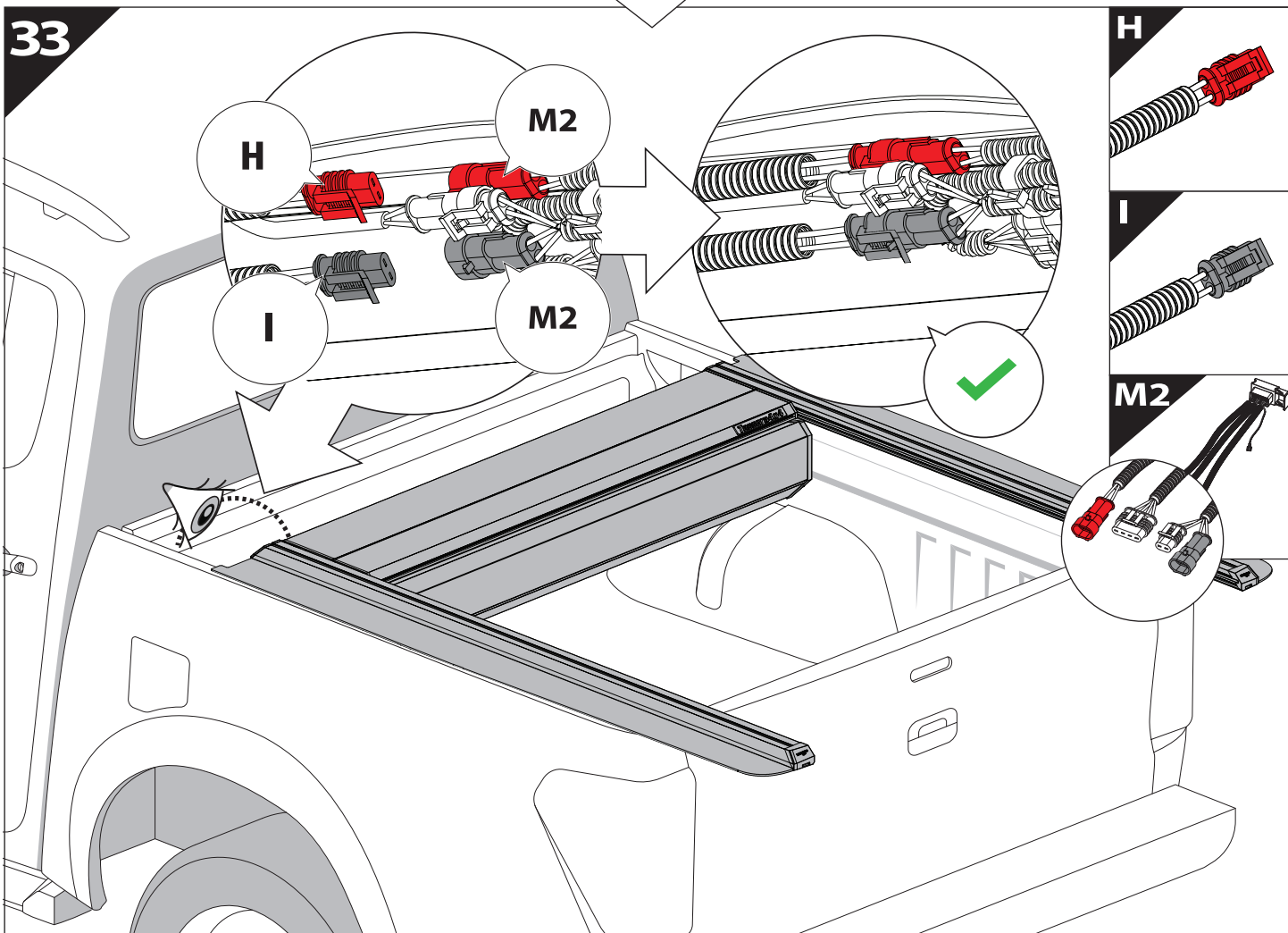
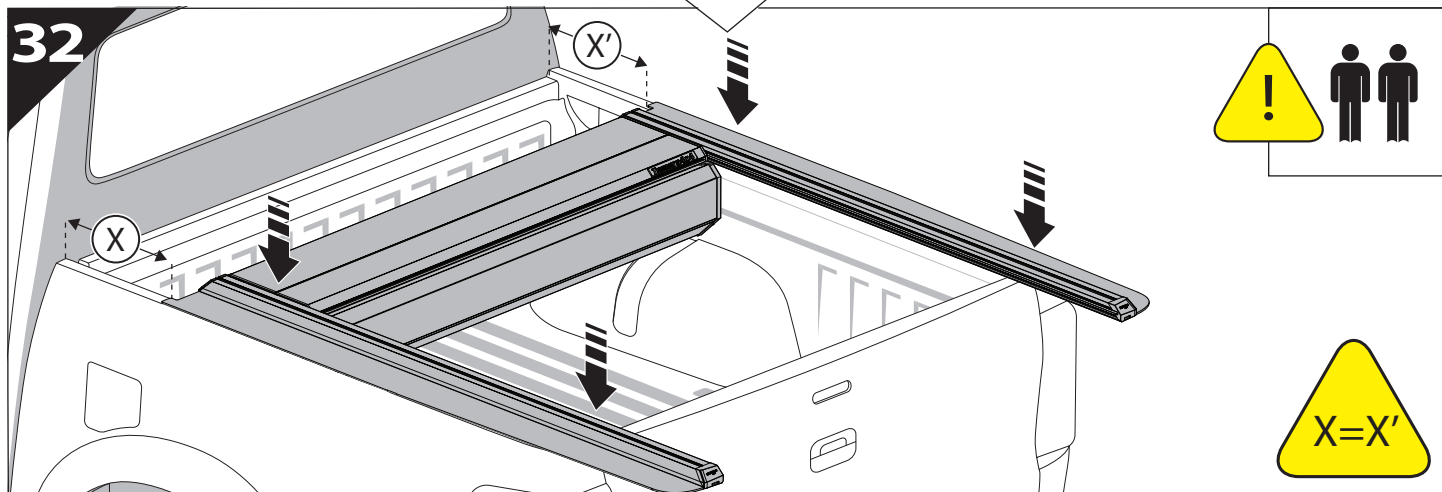
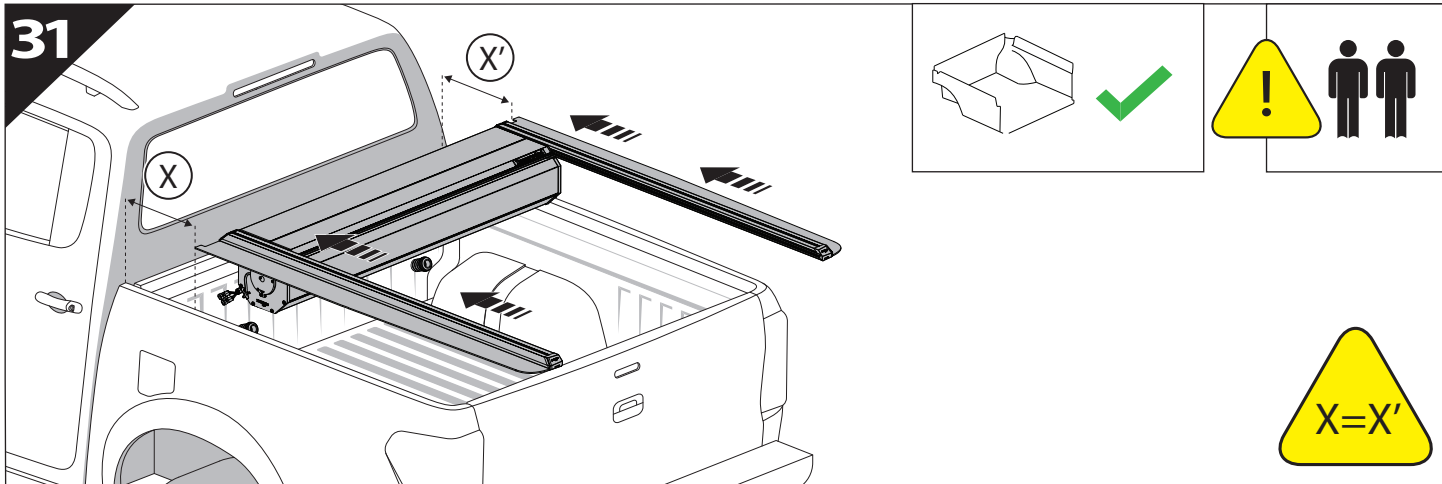
27



28

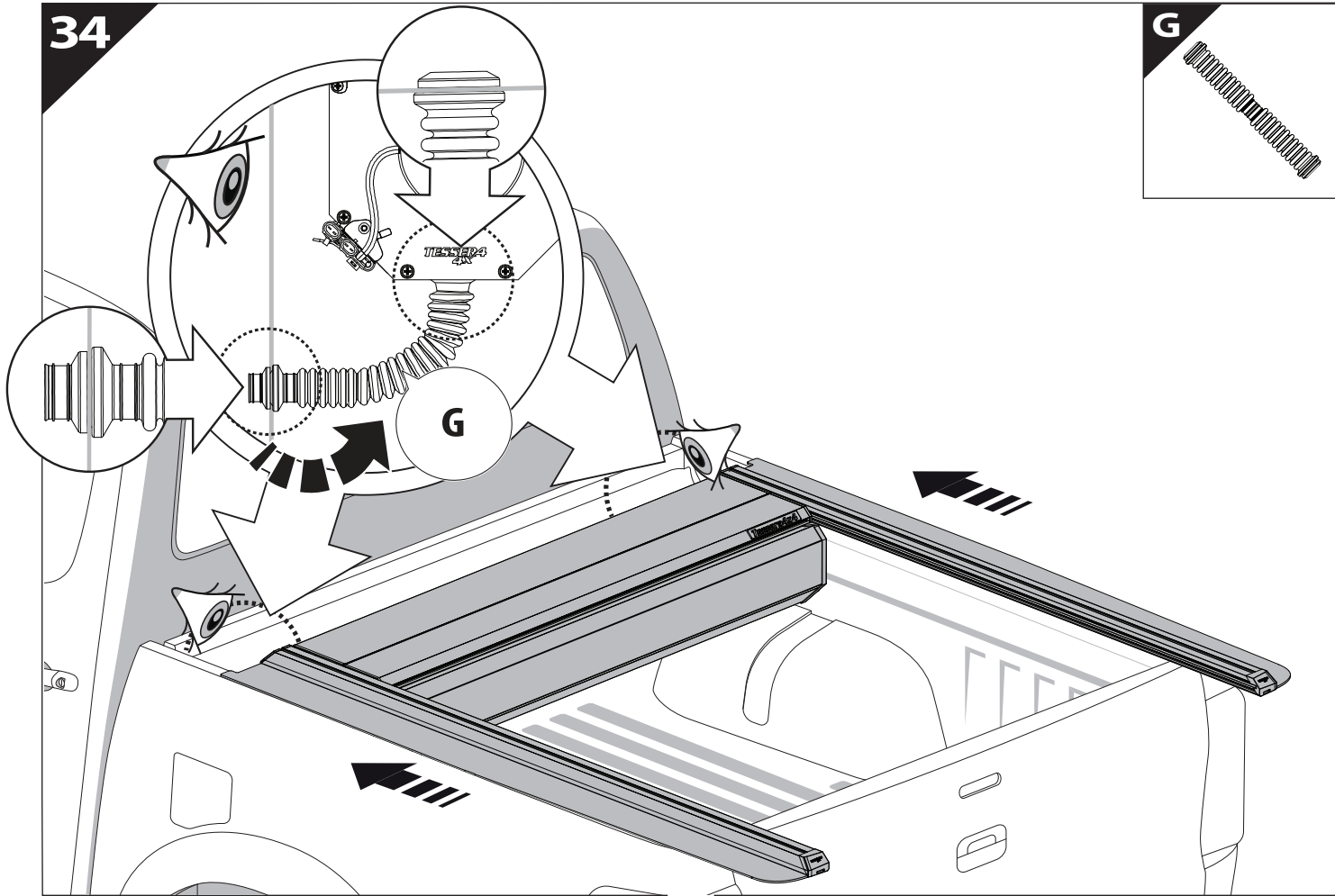




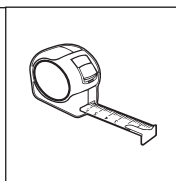
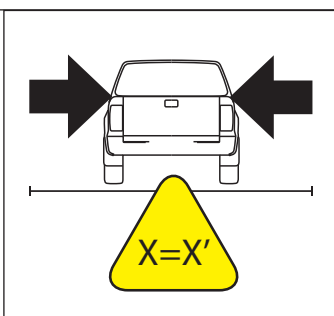
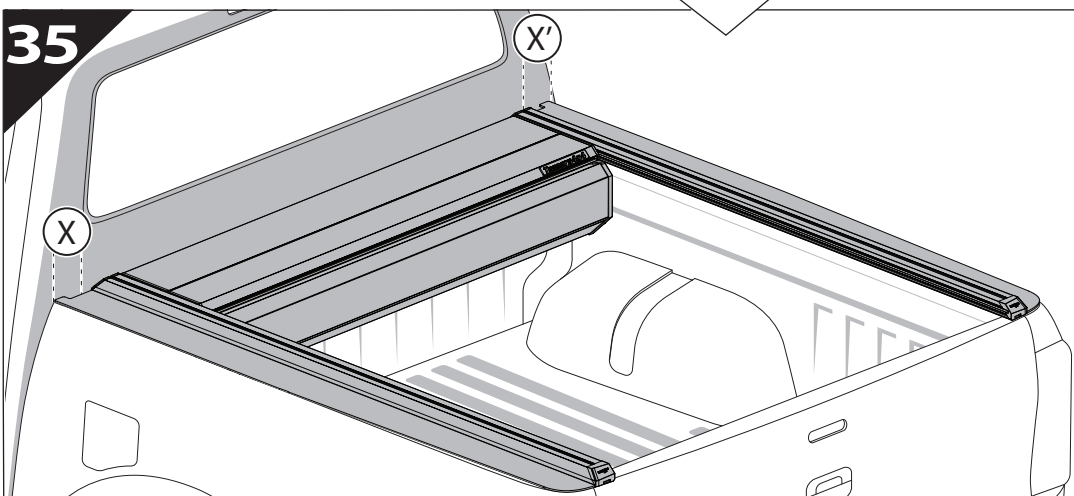


34

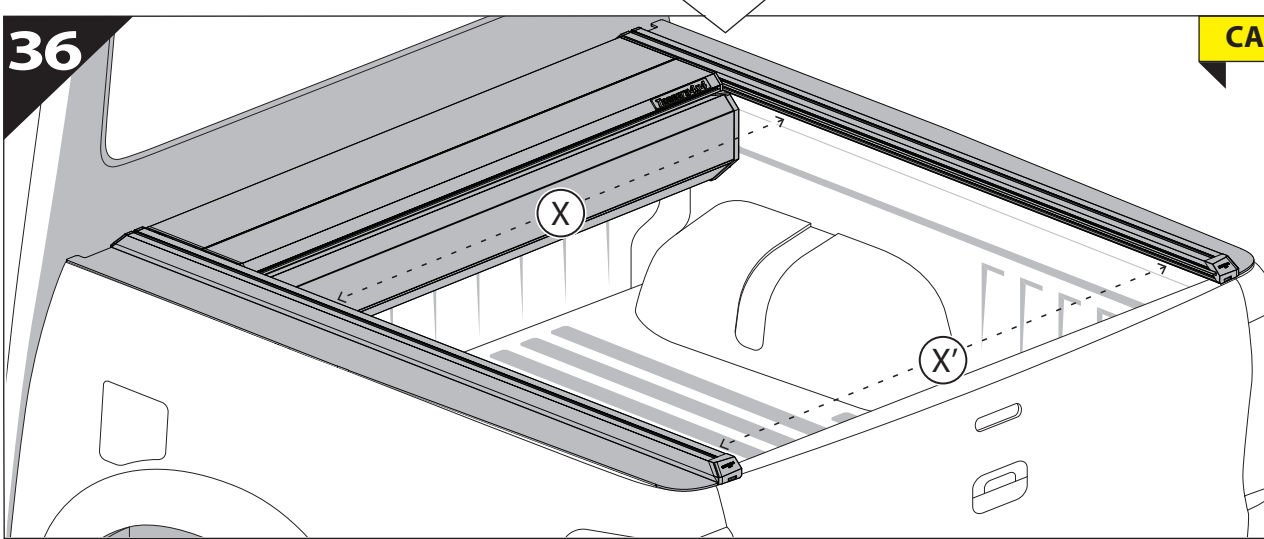
G



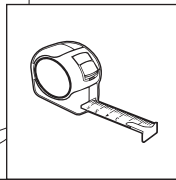
35

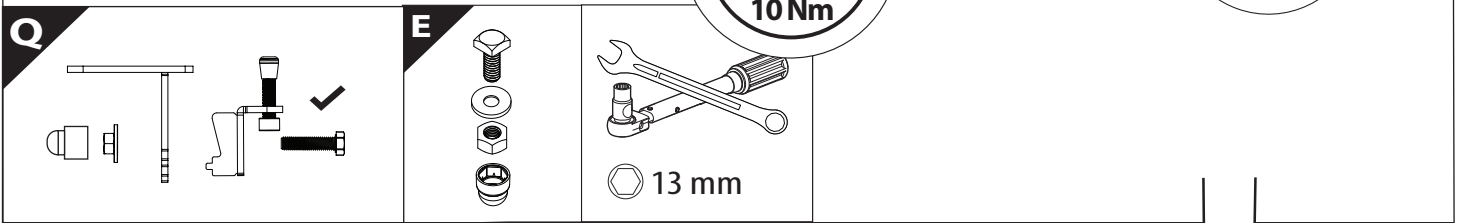
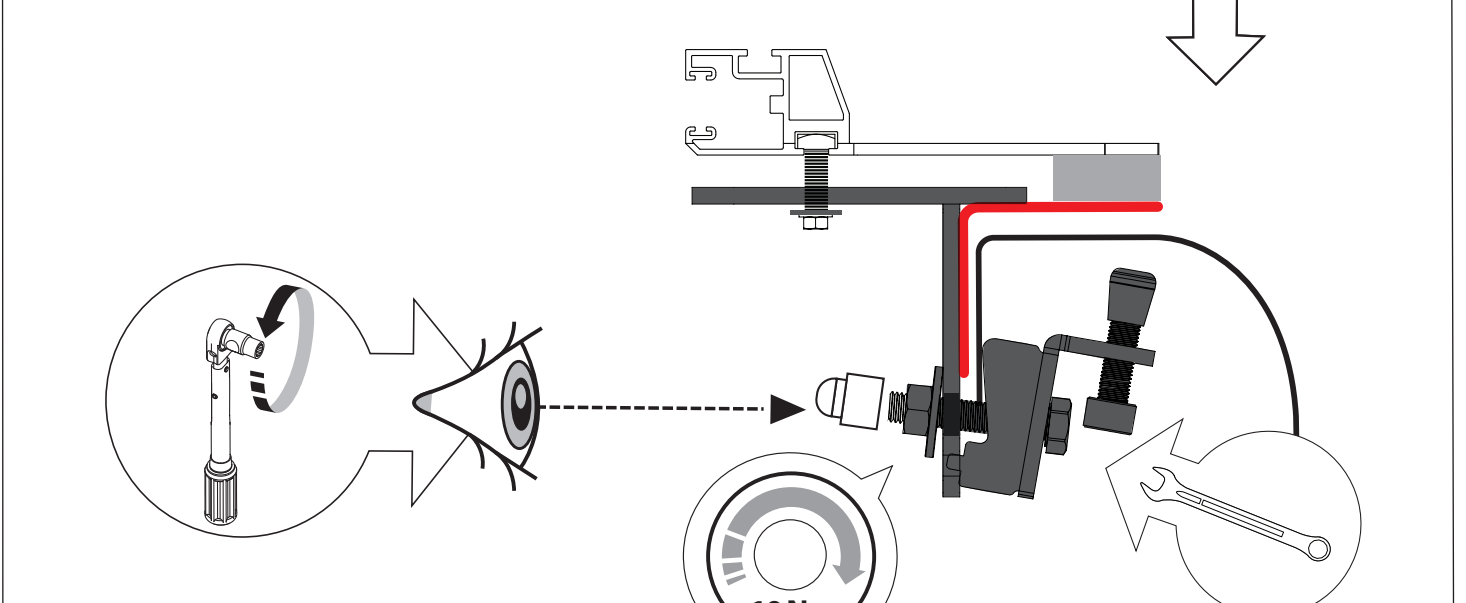
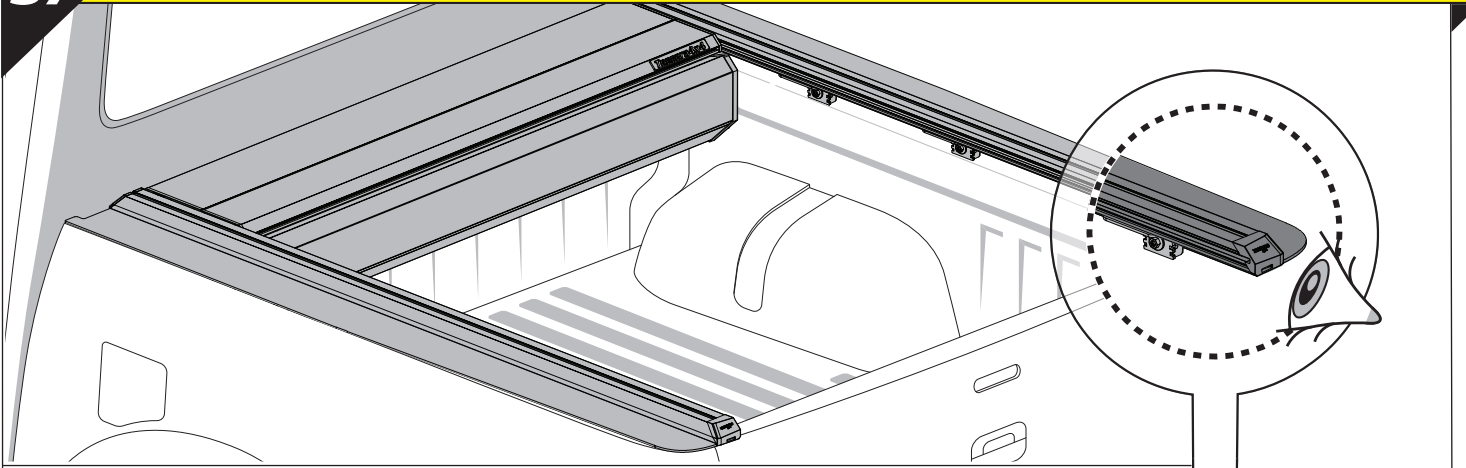


36

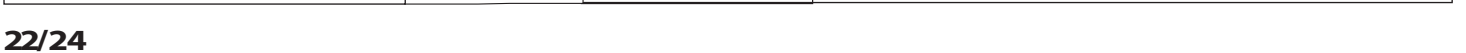
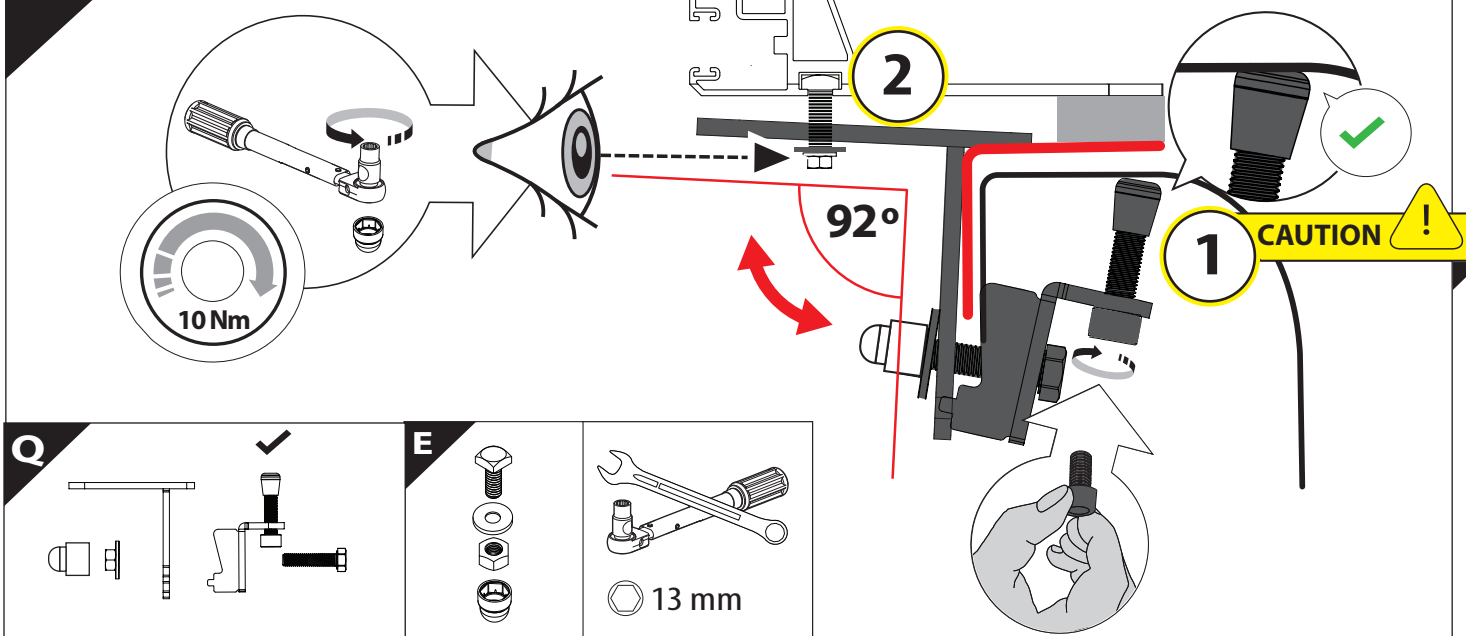


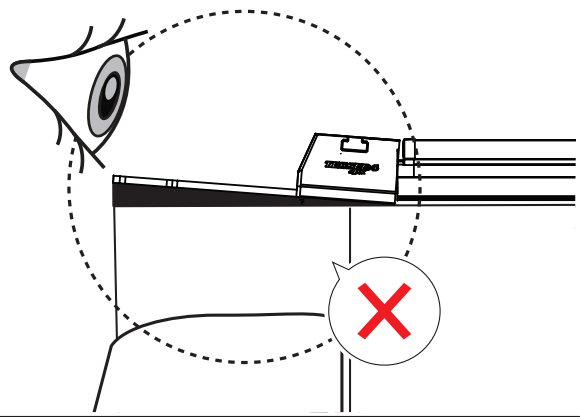
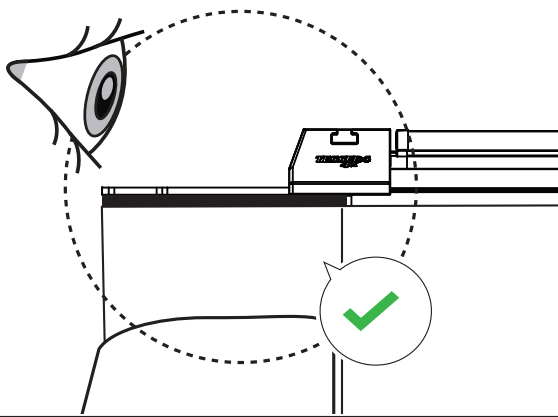
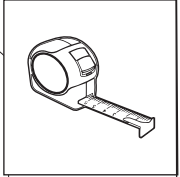
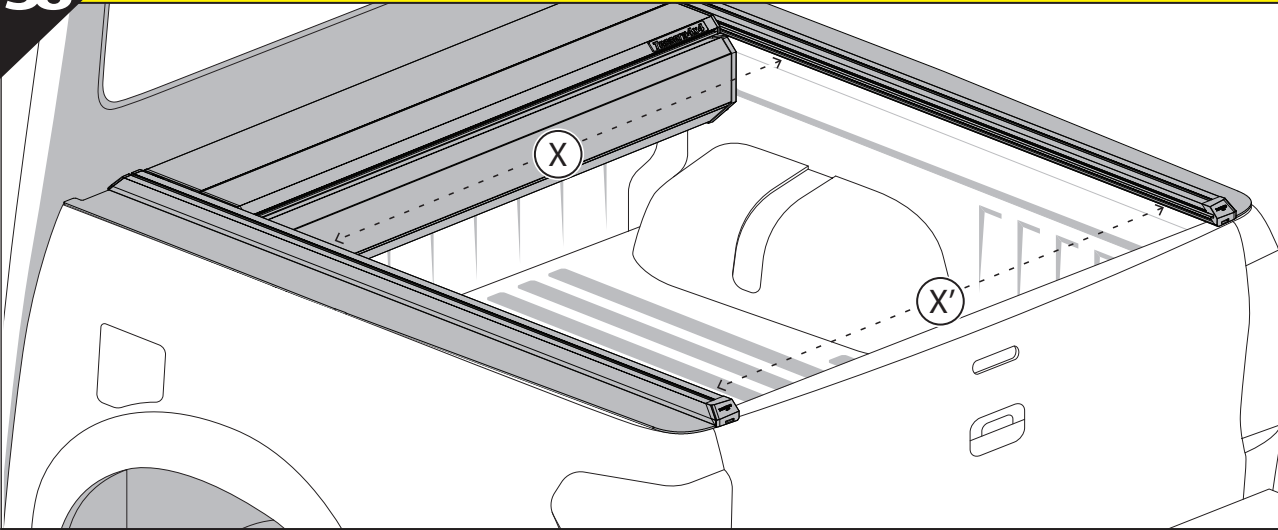
CAUTION !

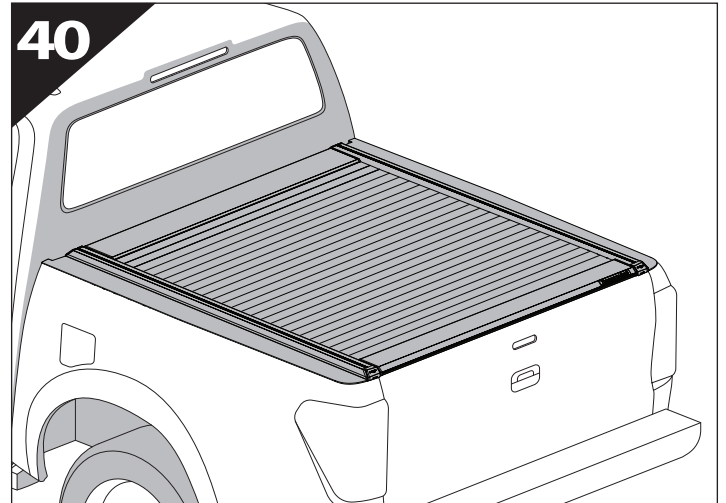
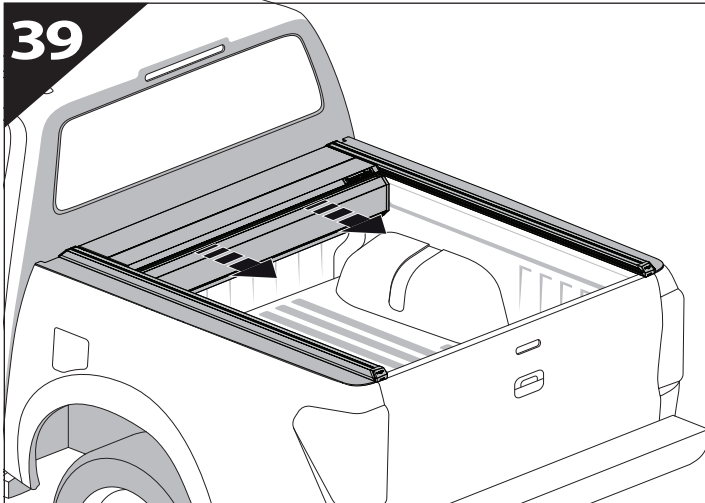




37.1







GR: Οδηγίες Εγκατάστασης
GB: Installation manual
SF: Asennusohje
F: Notice de montage
PL: Instrukcja montażu
NL: Installatie-instructies
TR: Montaj Talimatı
S: Monteringsanvisning
E: Instrucciones de montaje

H: Szerelési utasítás
P: Instruções de instalação
RUS: Инструкция по установке
N: Monteringsveiledning
D: Einbauanleitung
CZ: Návod k instalaci
I: Istruzioni de montaggio
DK: Monteringsvejledning
RO: Instructiuni de instalare

Customer Service:

+30 (210) 5541161, +30 (210) 5541154 (08:00 - 16:00 EET)

Support department:

info@gianso.gr

Website:

www.tessera4x4.com

Address:

19.5 km of National road Athens-Korinthos (Elefsina) Greece, P.C: 19200