

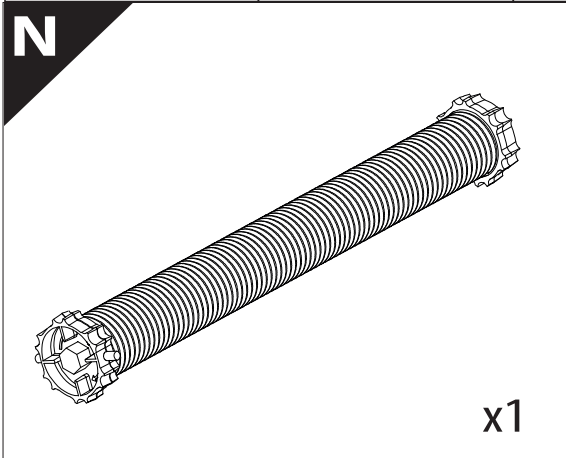
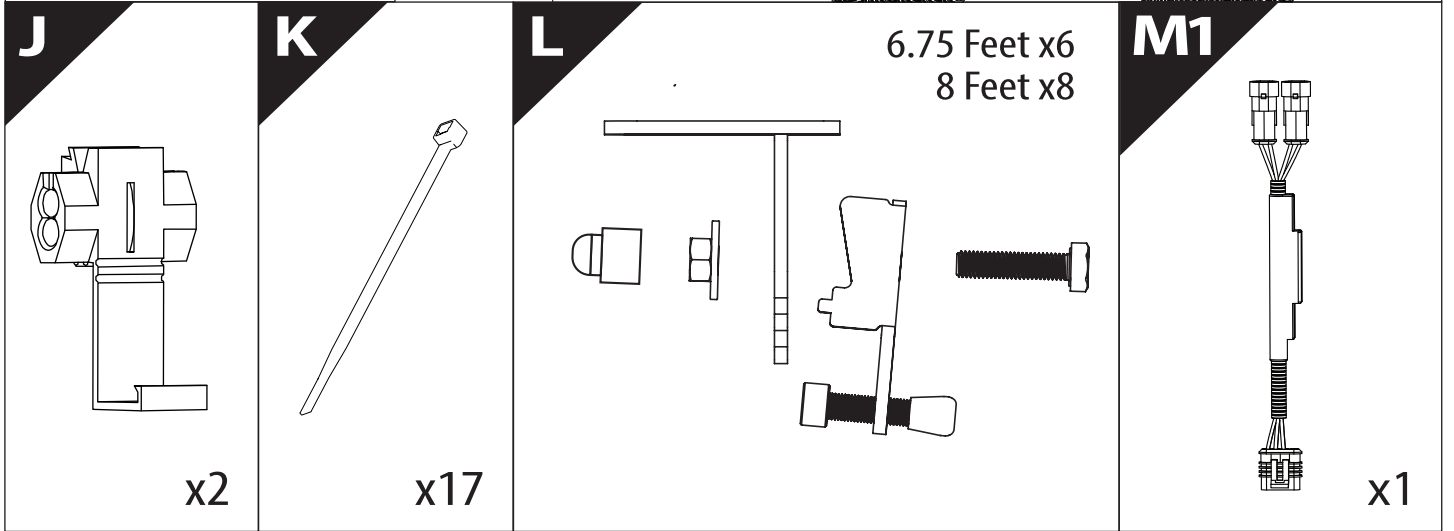
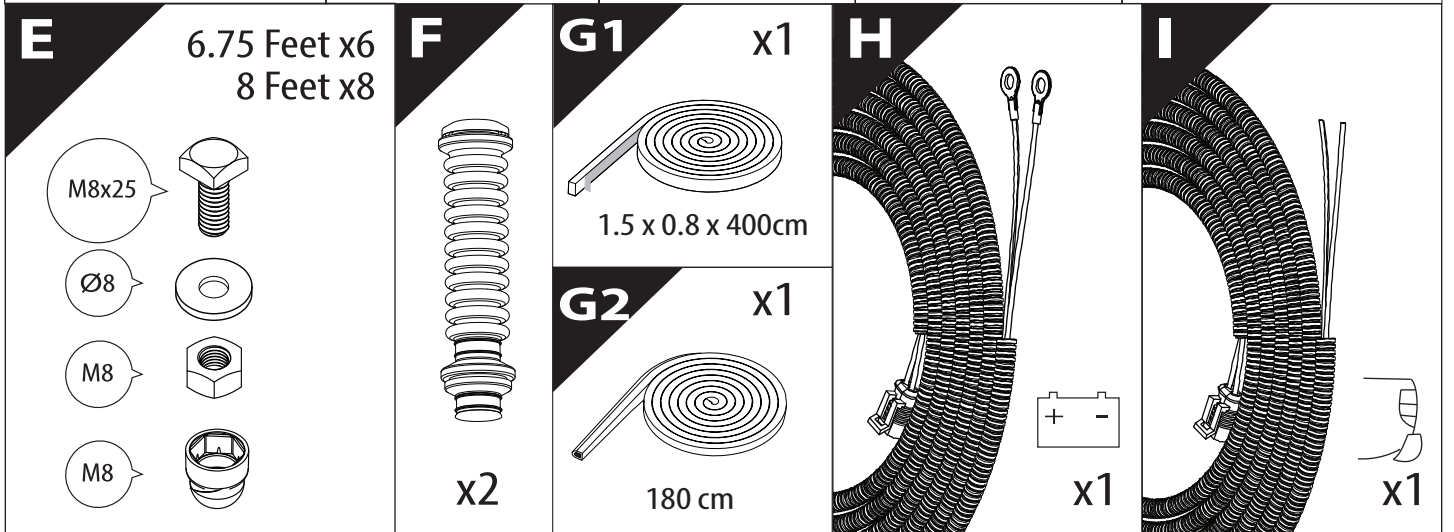
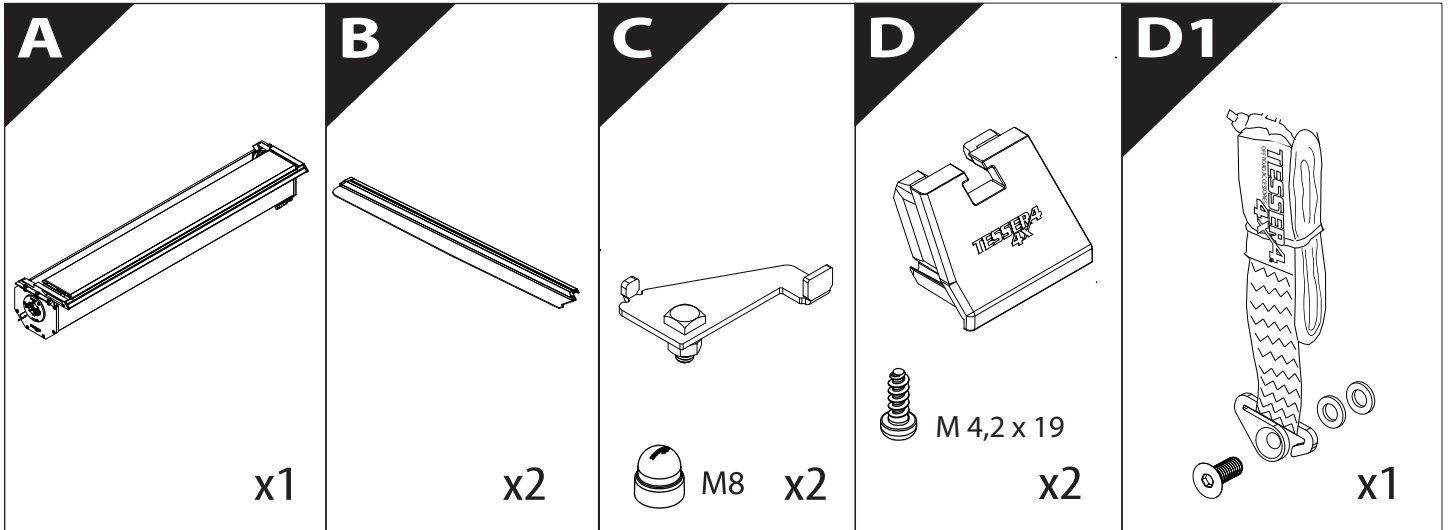
Tessera Roll+

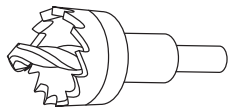
Basic Version + ⚙️ S-KIT



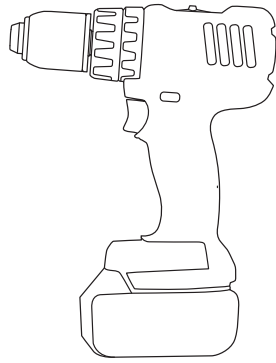
Installation Manual

PART NUMBER(S)	Model Year
TESS 1432 ROLL+S-KIT	Ford F-250 / 350 2023+
TESS 14321 ROLL+S-KIT	
Feet	Installation Time / Weight
6.75 Feet & 8 Feet	40-60 minutes / 53-57 kg





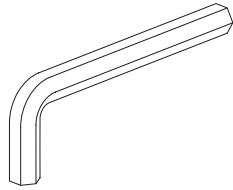
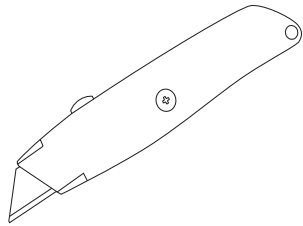
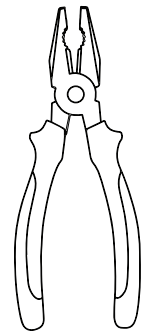
Ø 25 mm



+

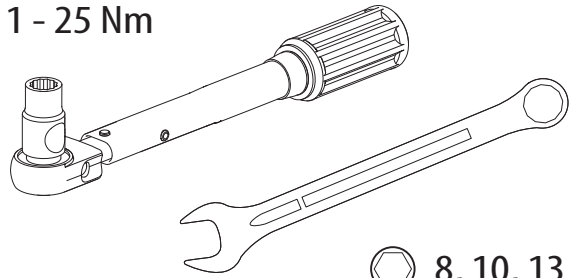


-



4 mm

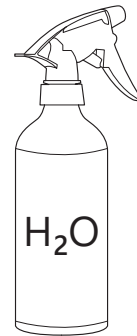
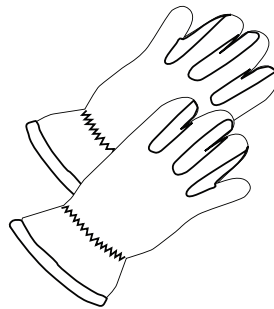
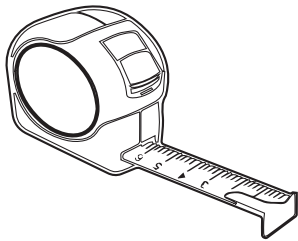
1 - 25 Nm



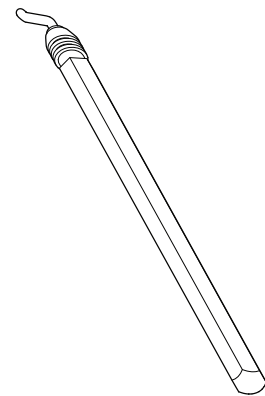
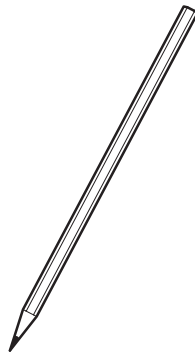
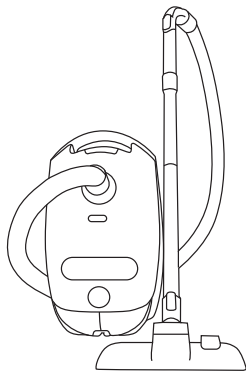
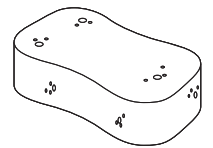
8, 10, 13 mm



ACETONE



H₂O

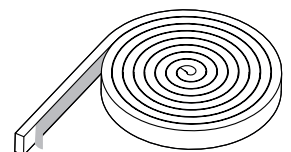
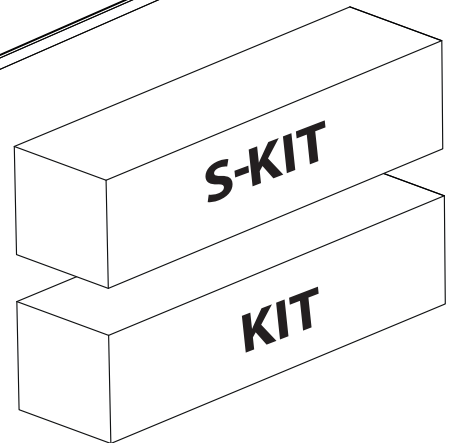
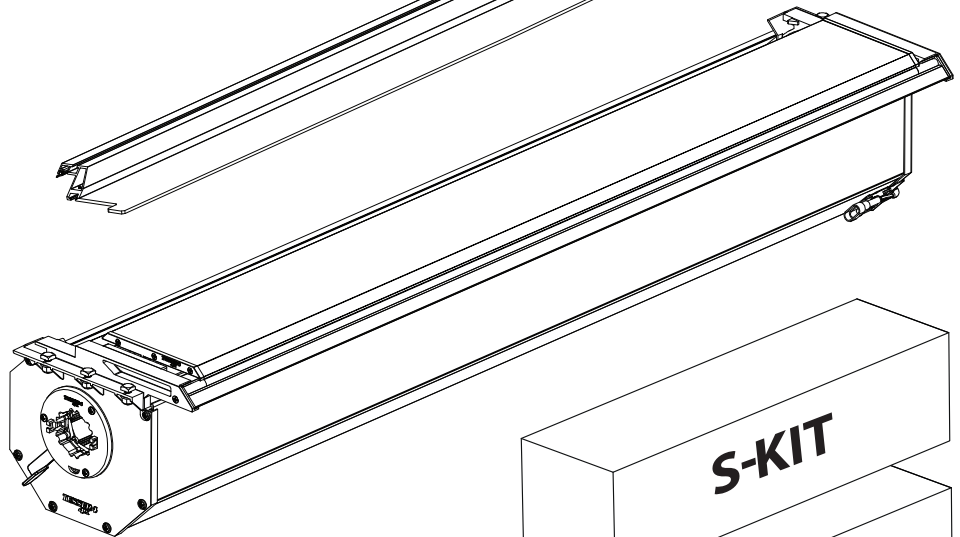
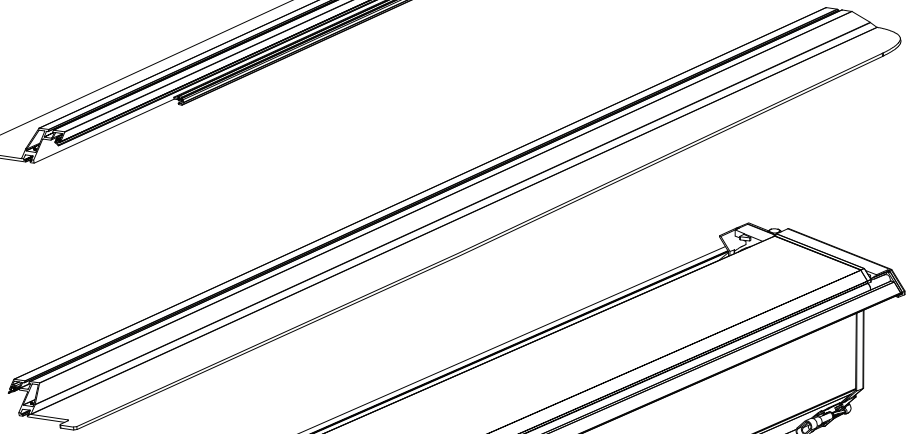
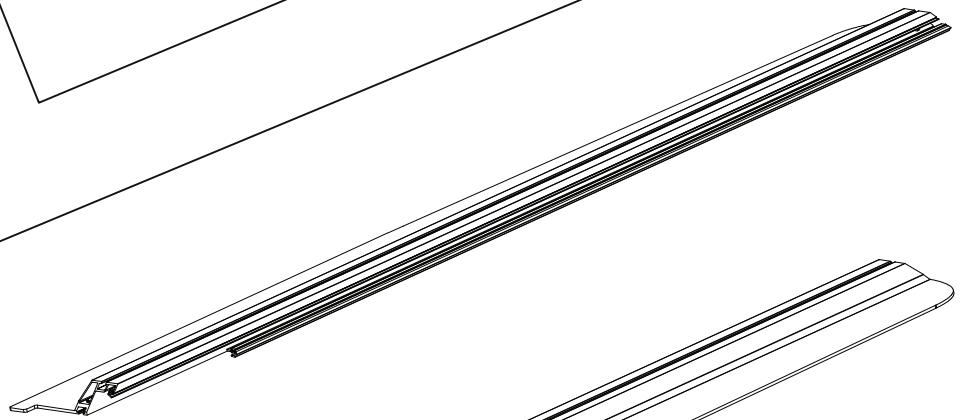
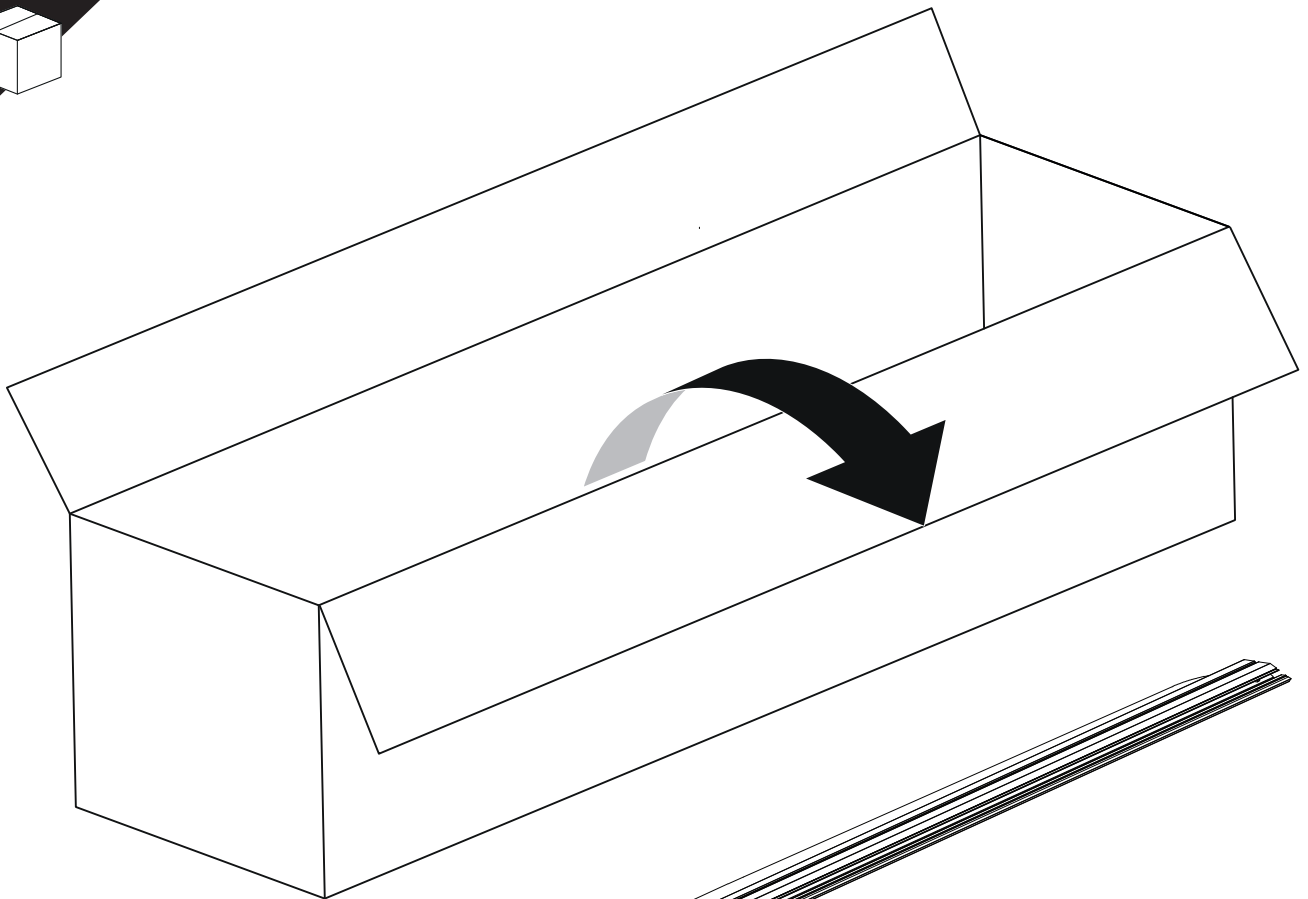


INSTALLATION
MANUAL
+S-KIT



OWNERS
MANUAL



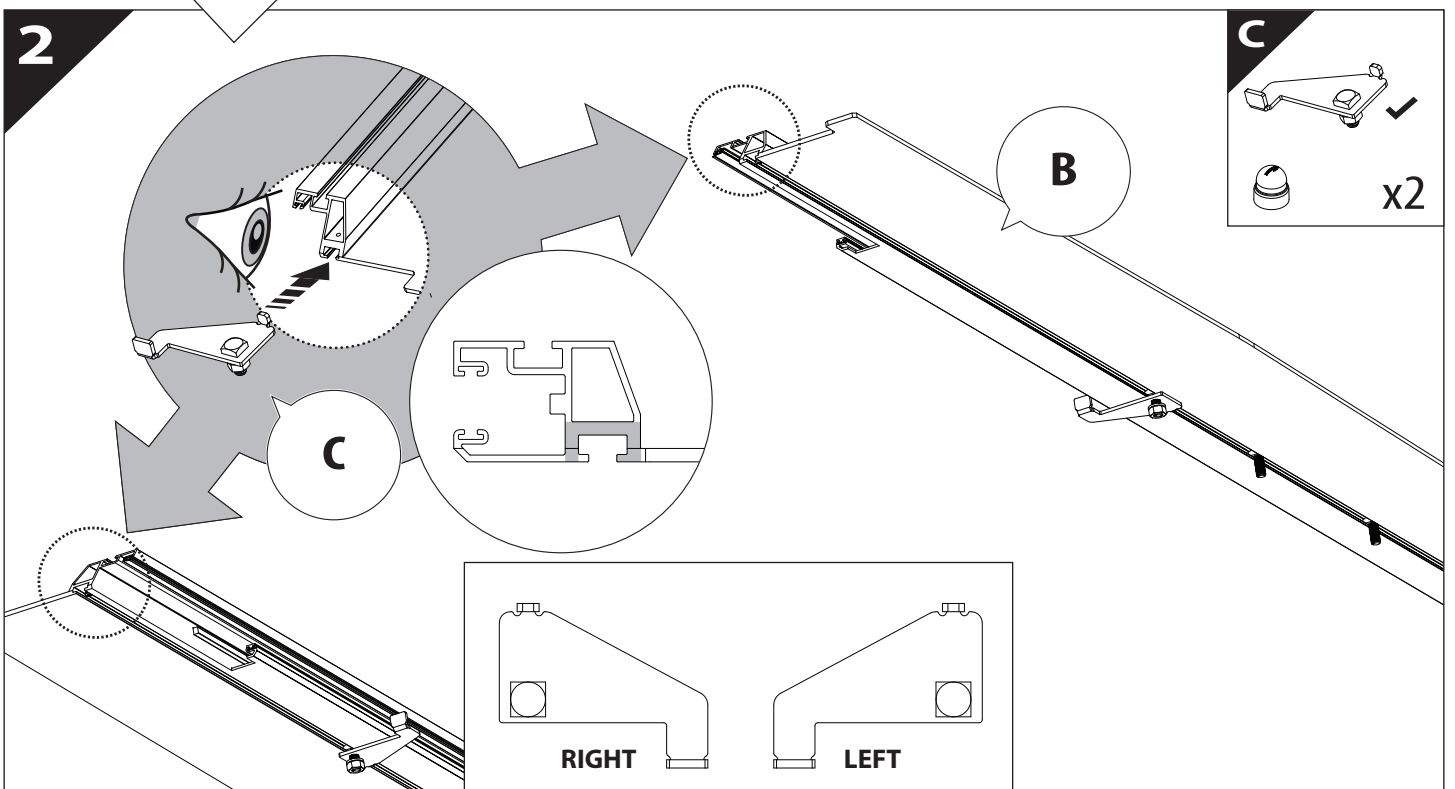
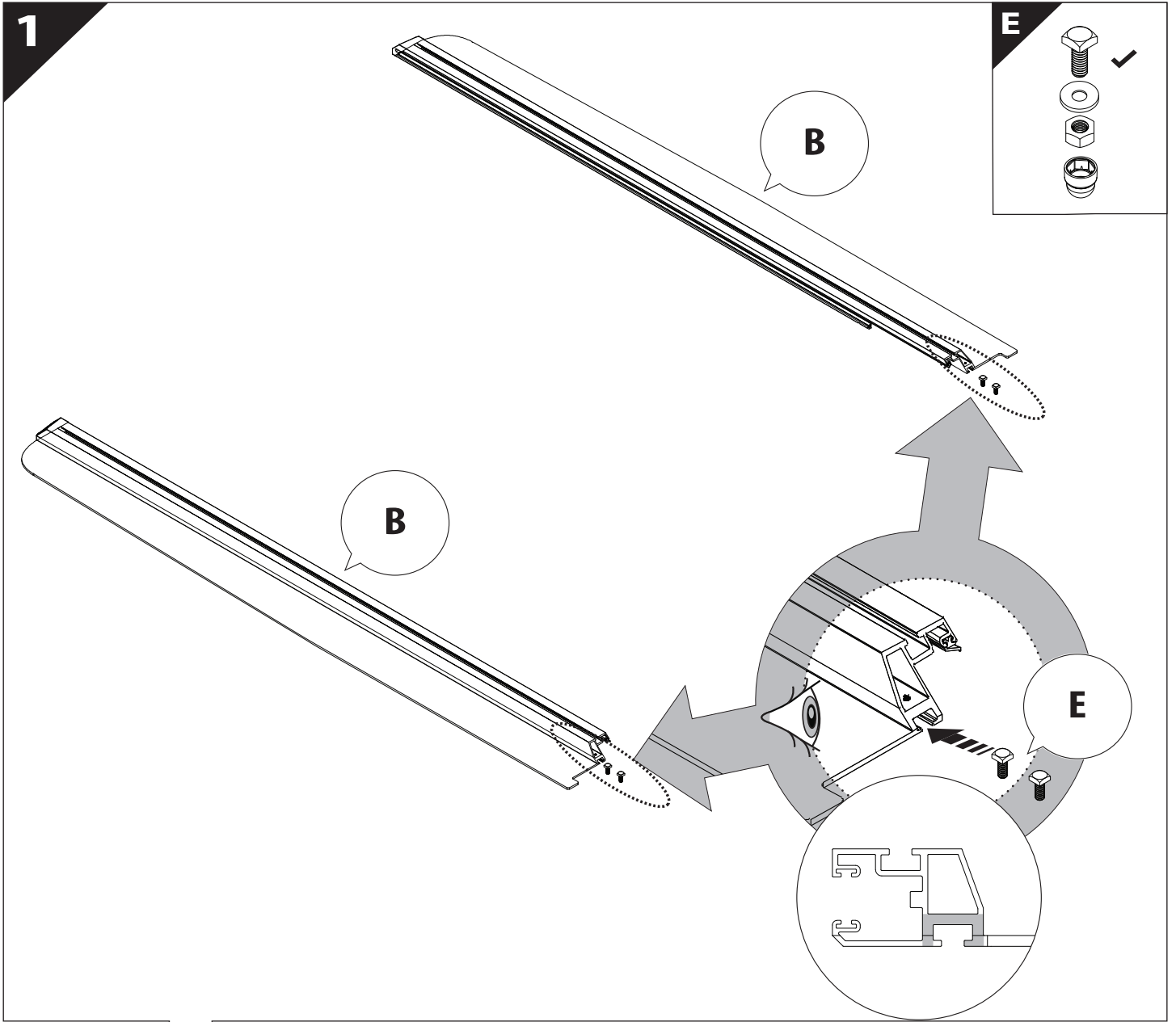


B

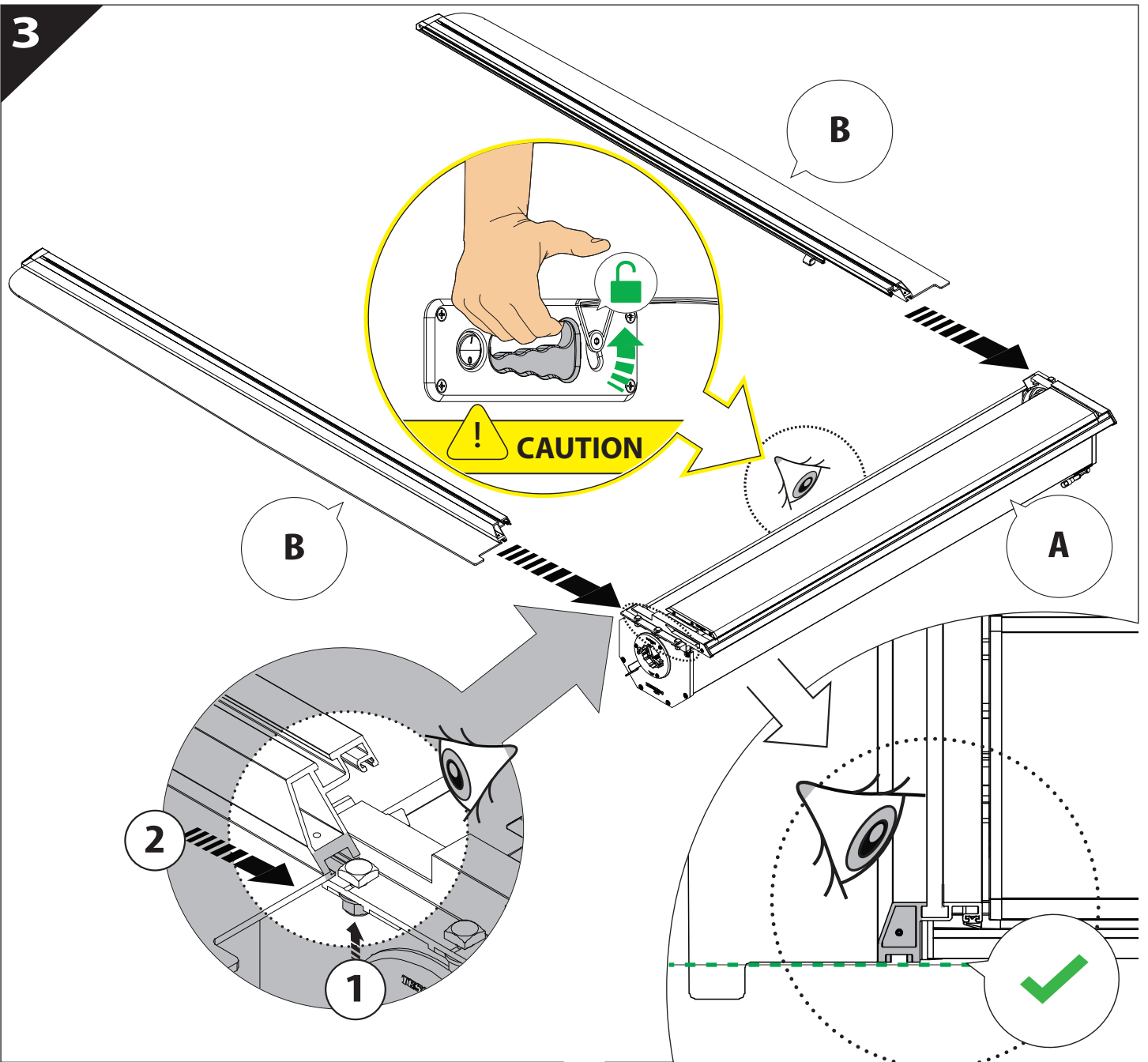
A

KITS

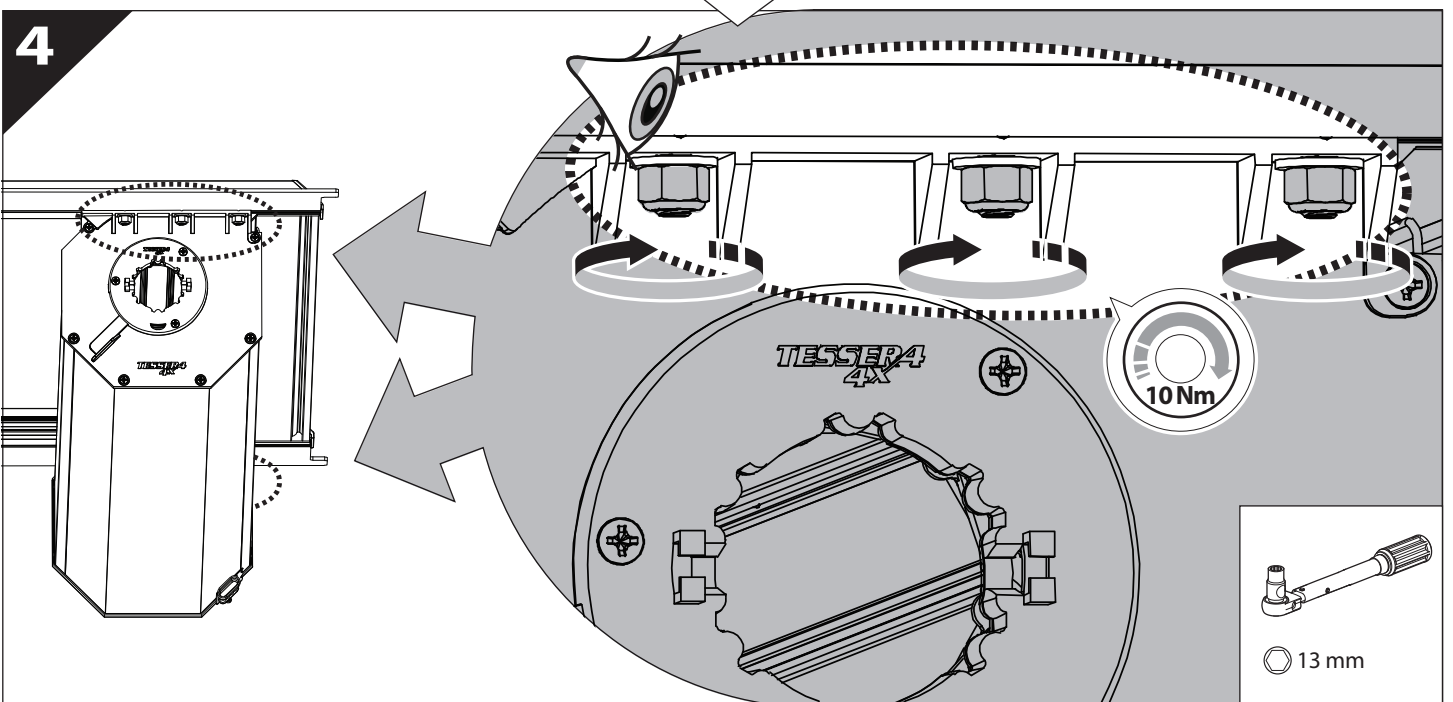
G

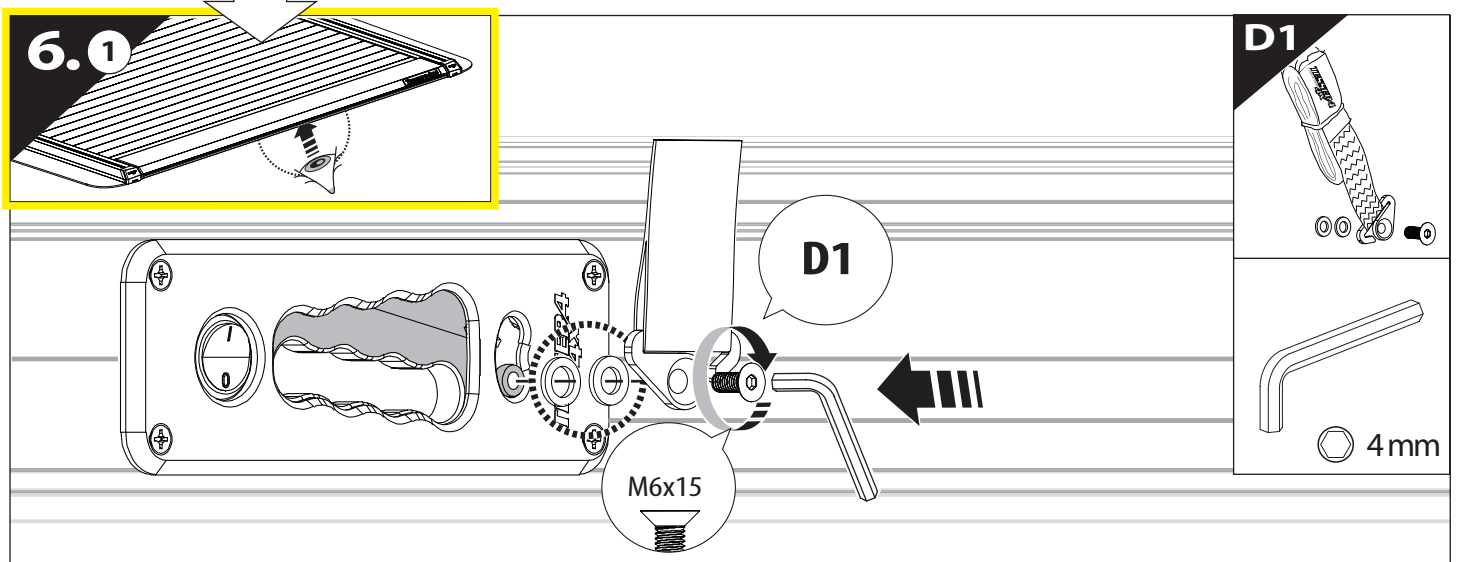
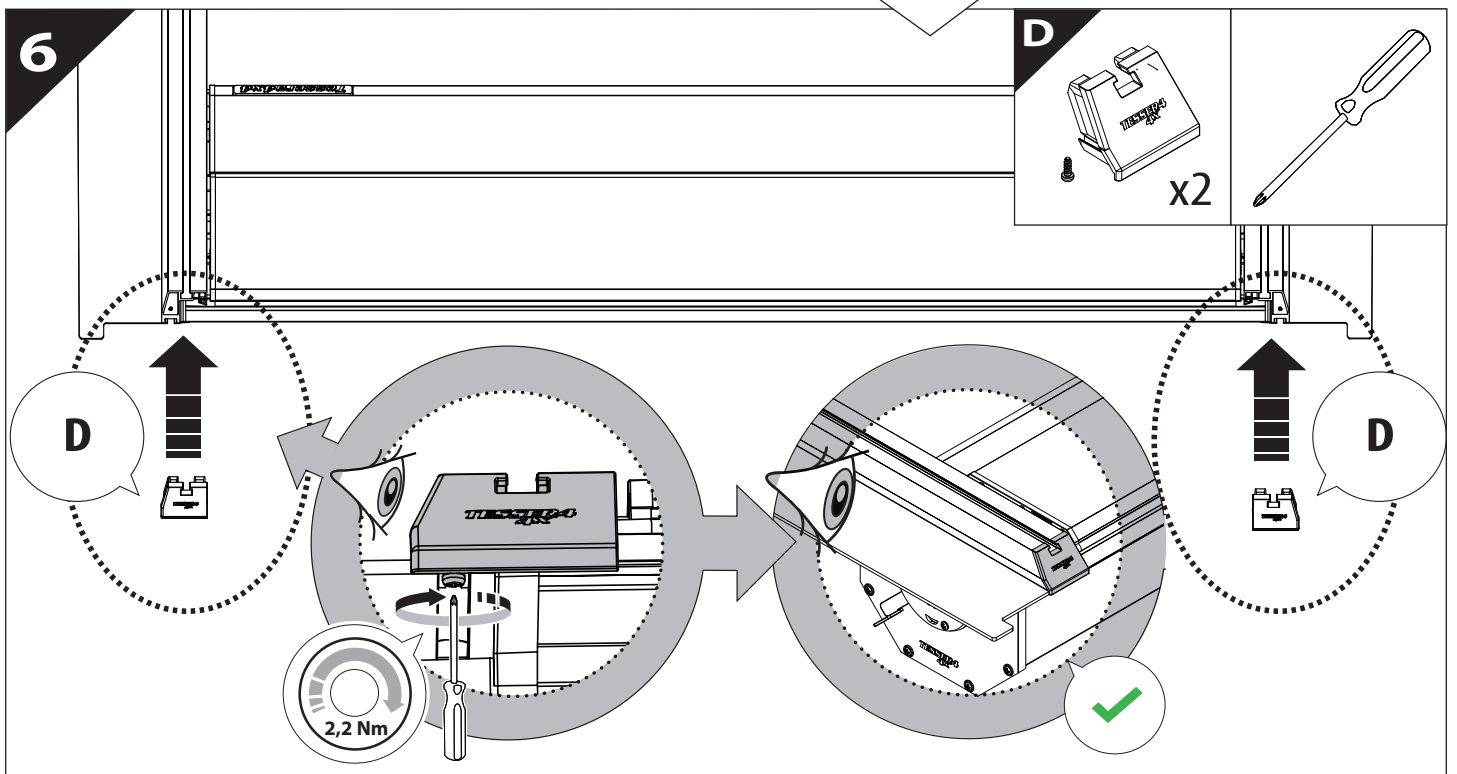
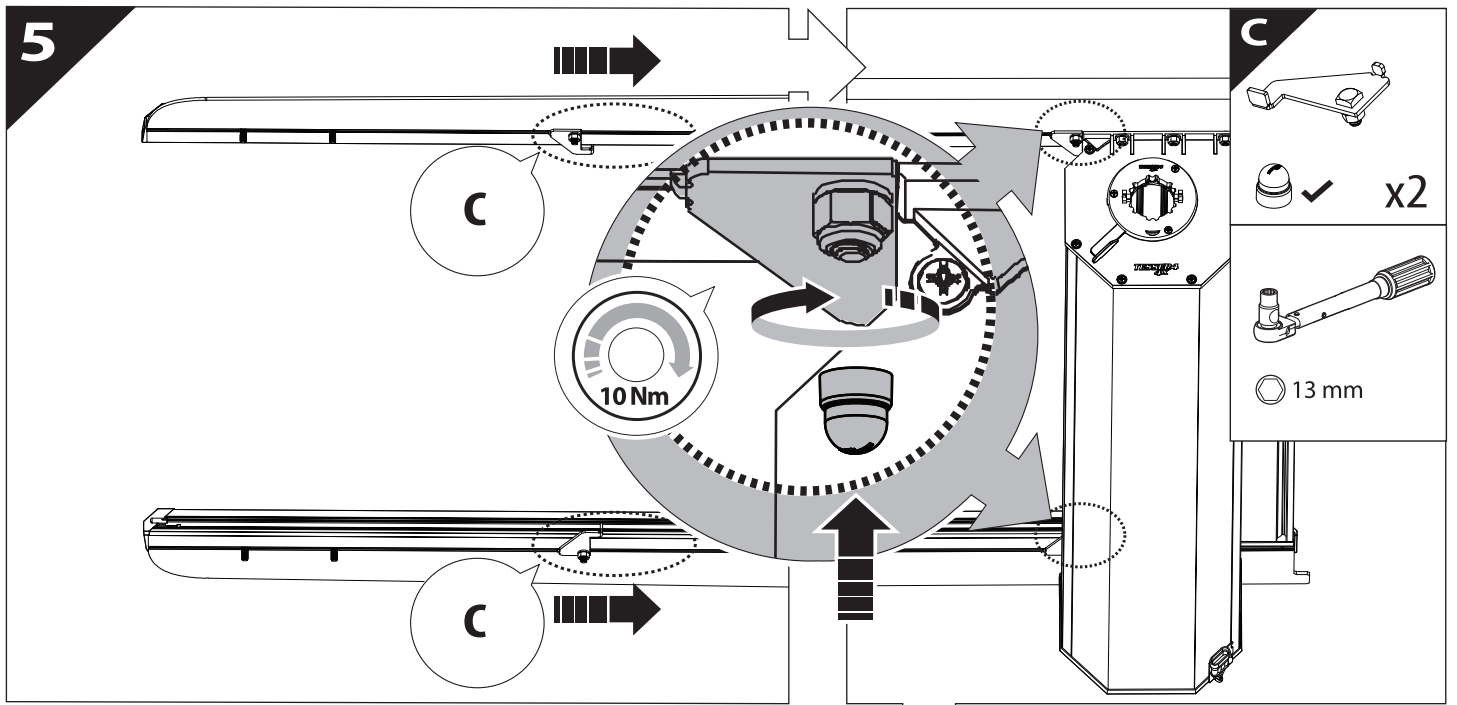


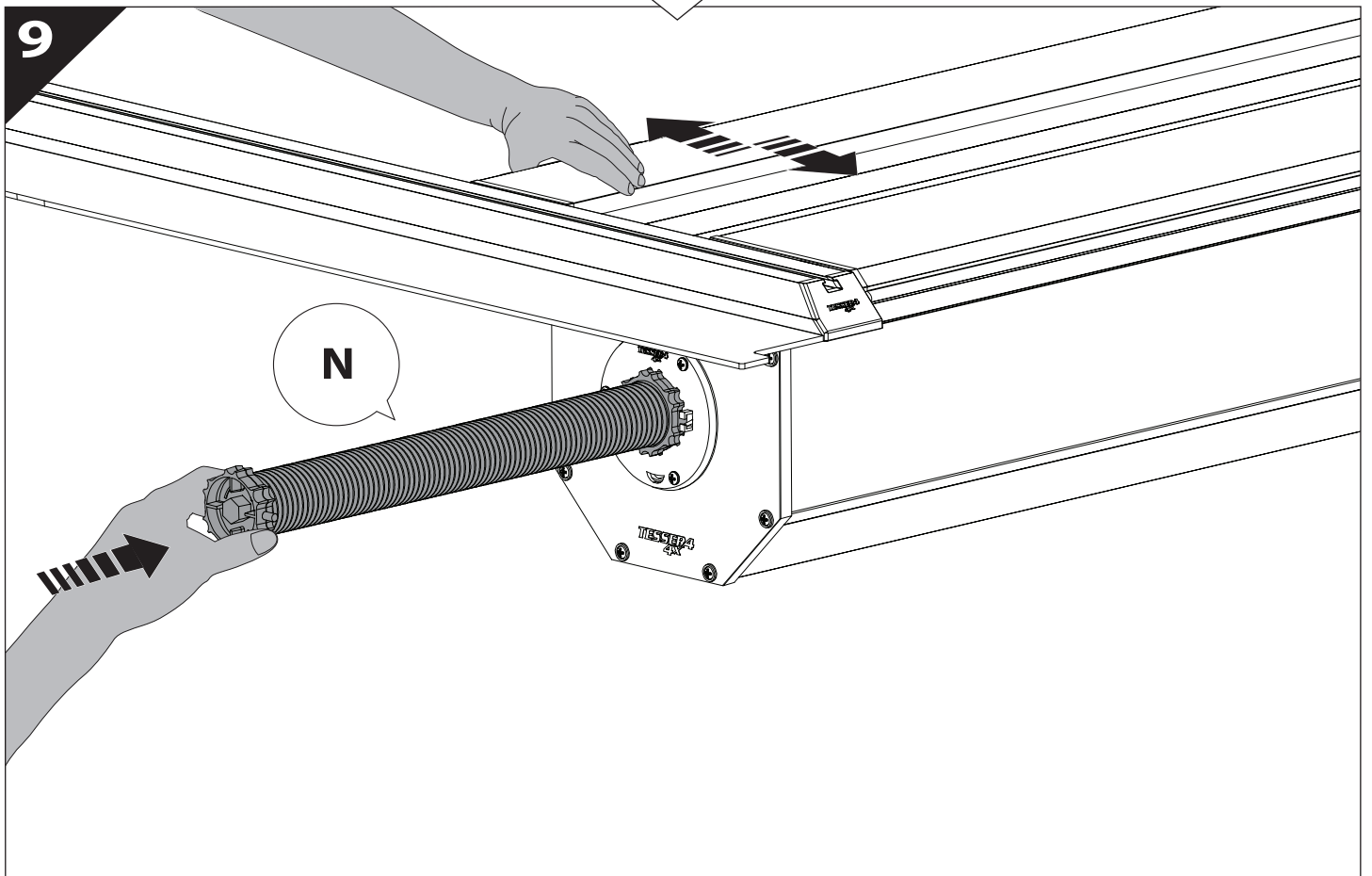
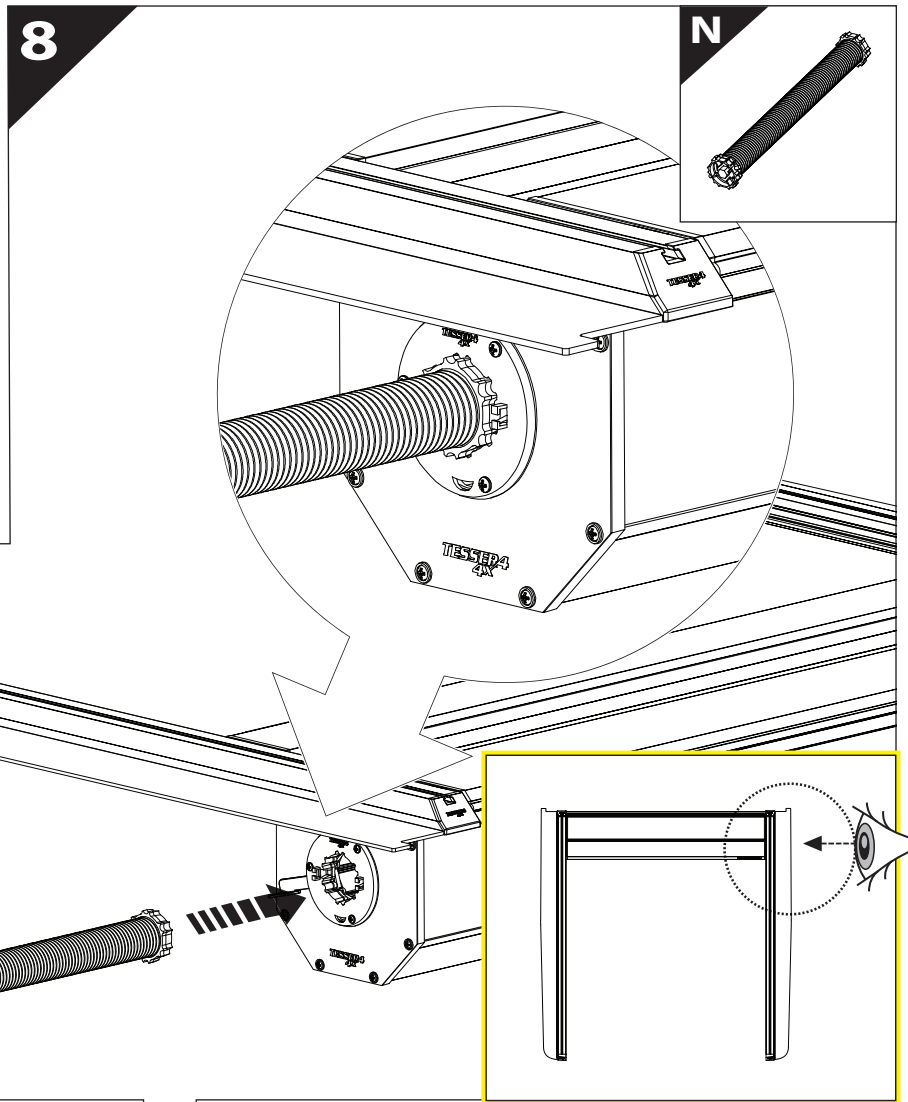
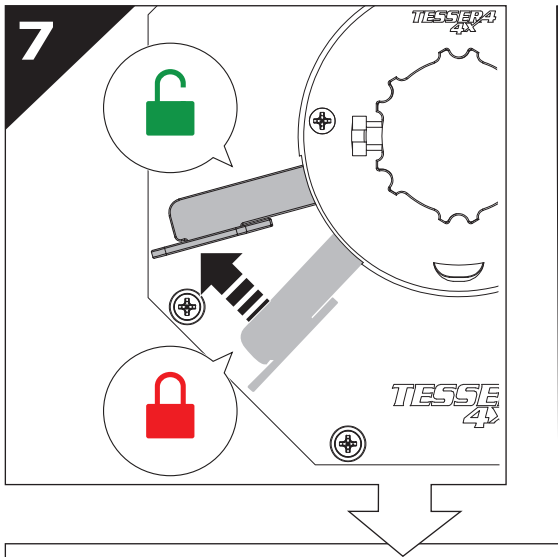
3



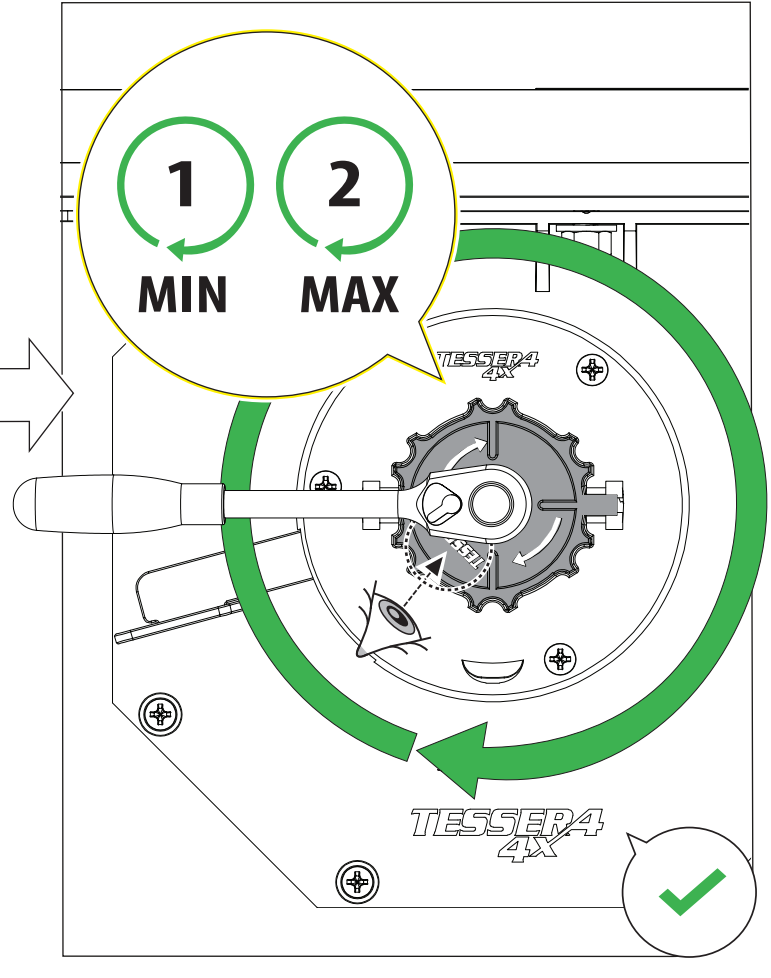
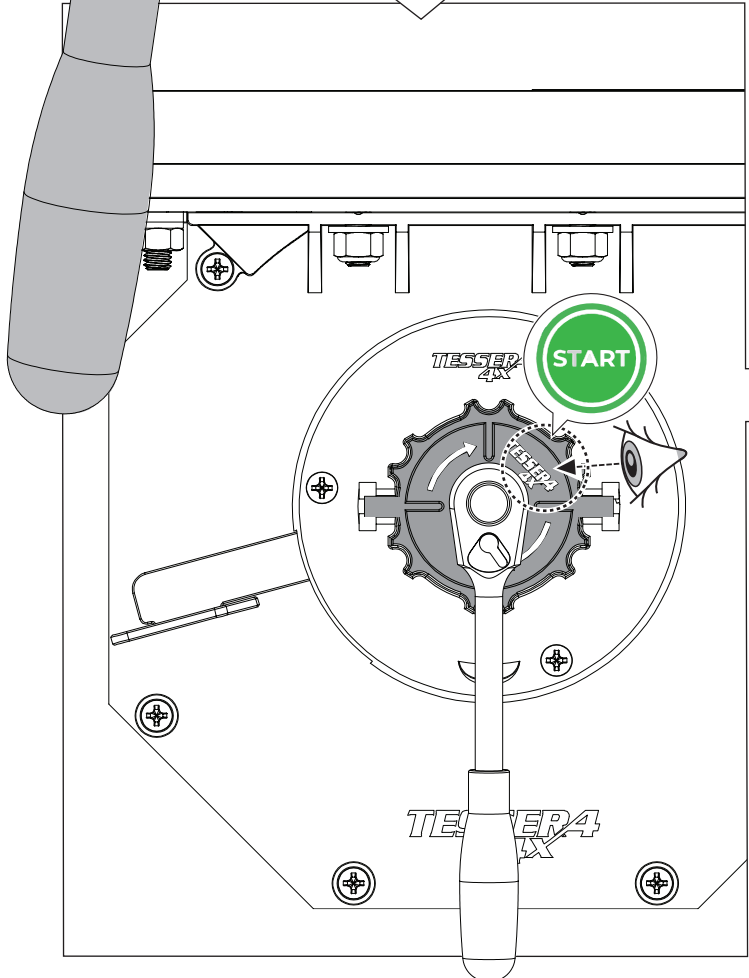
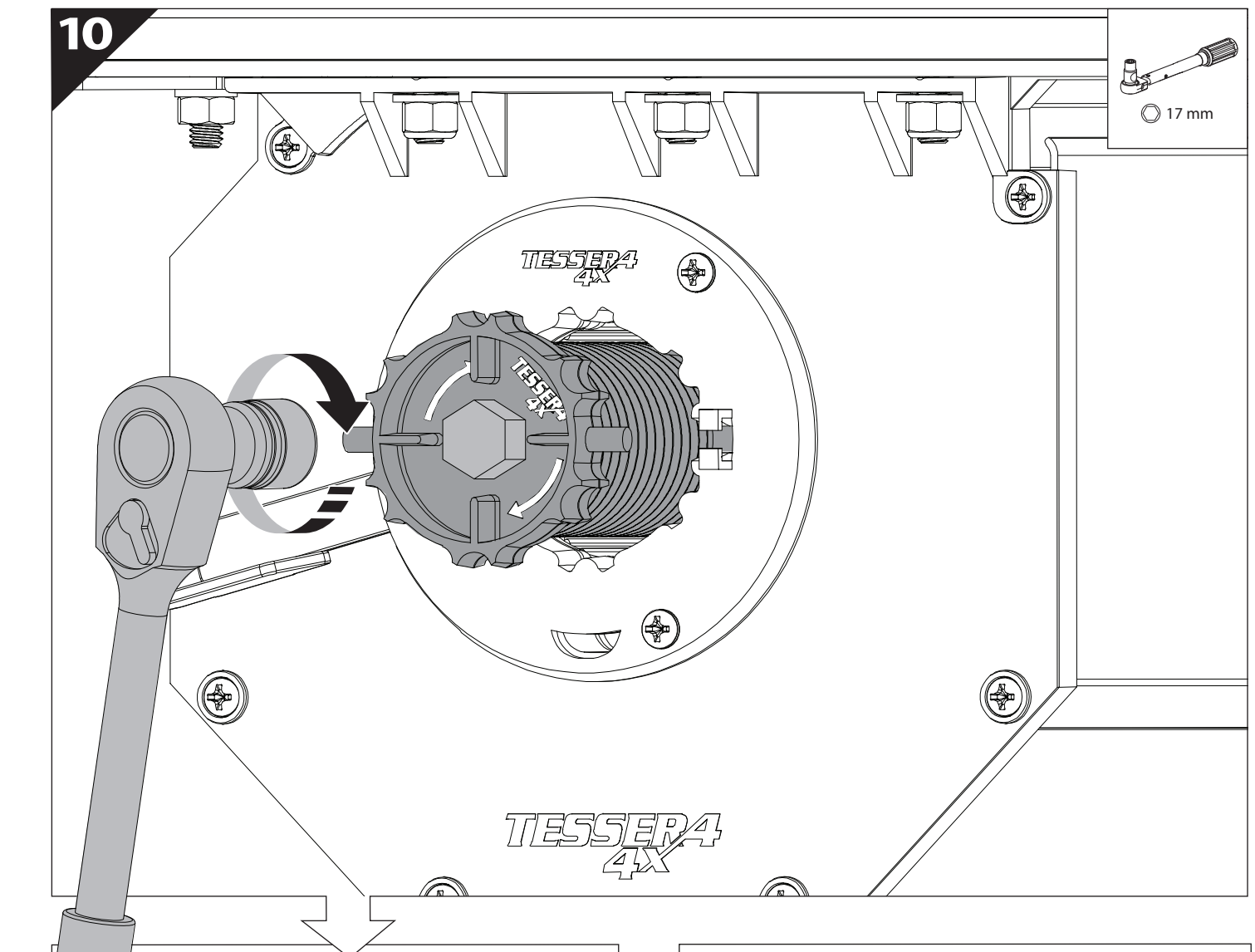
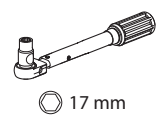
4



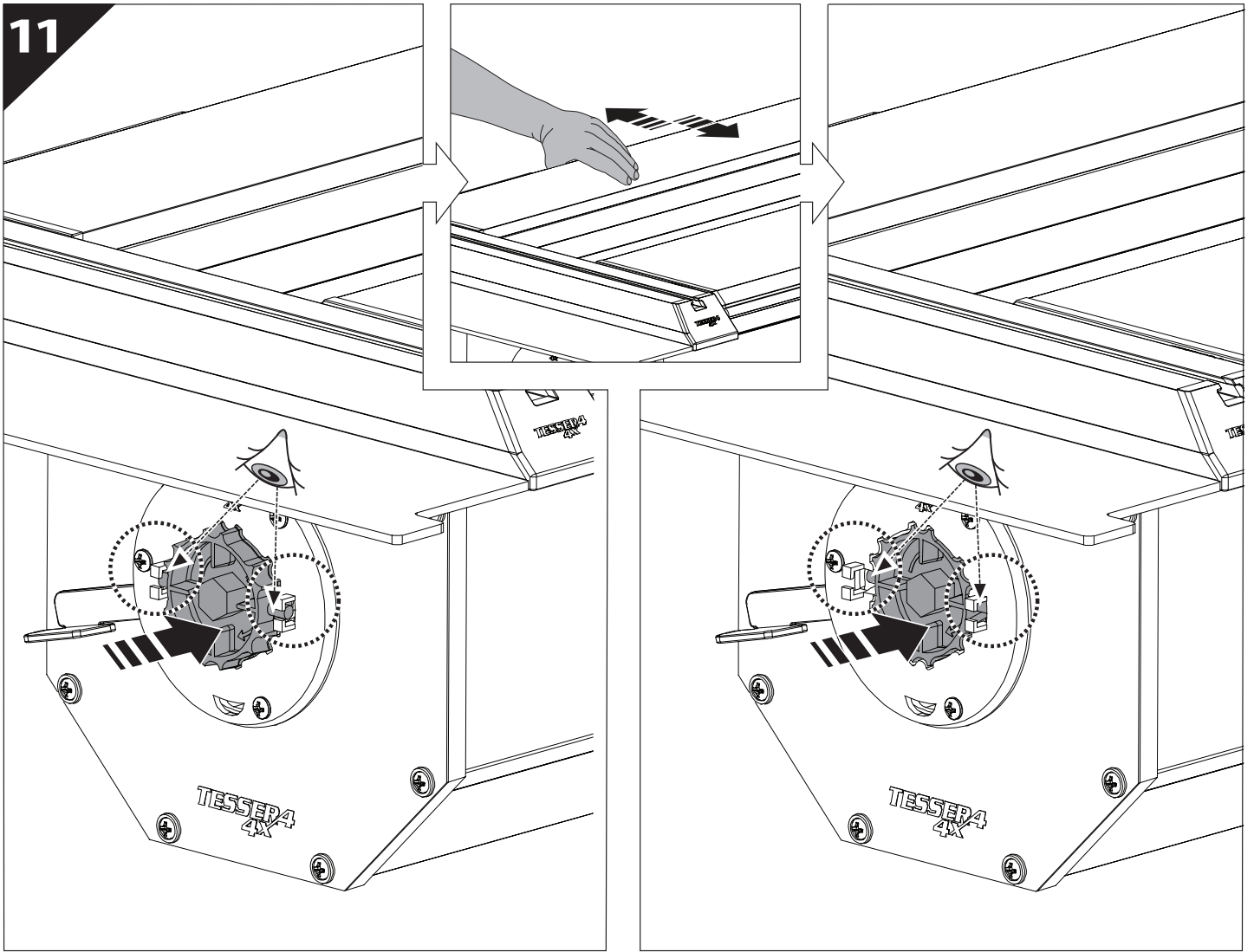




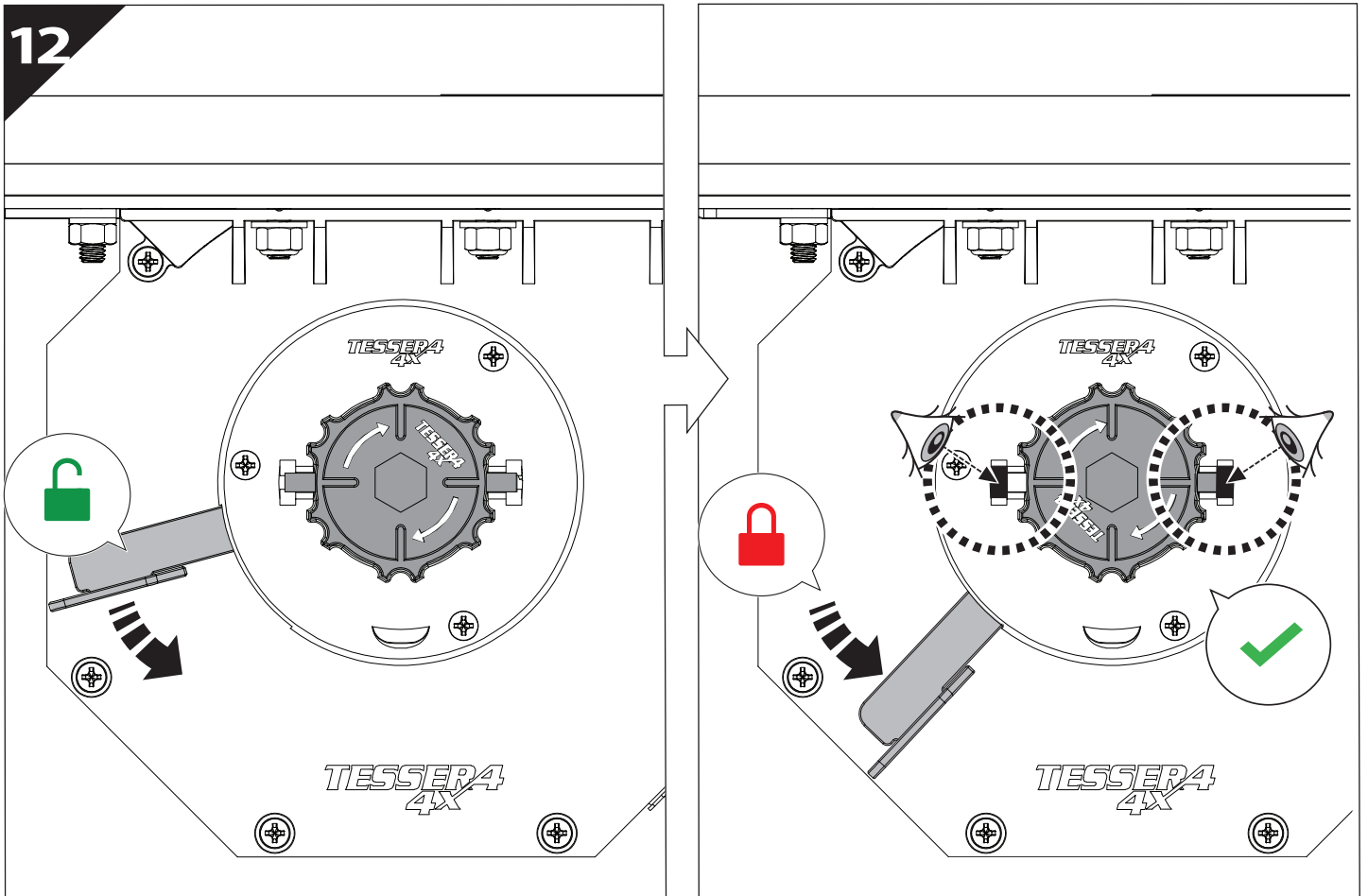
10



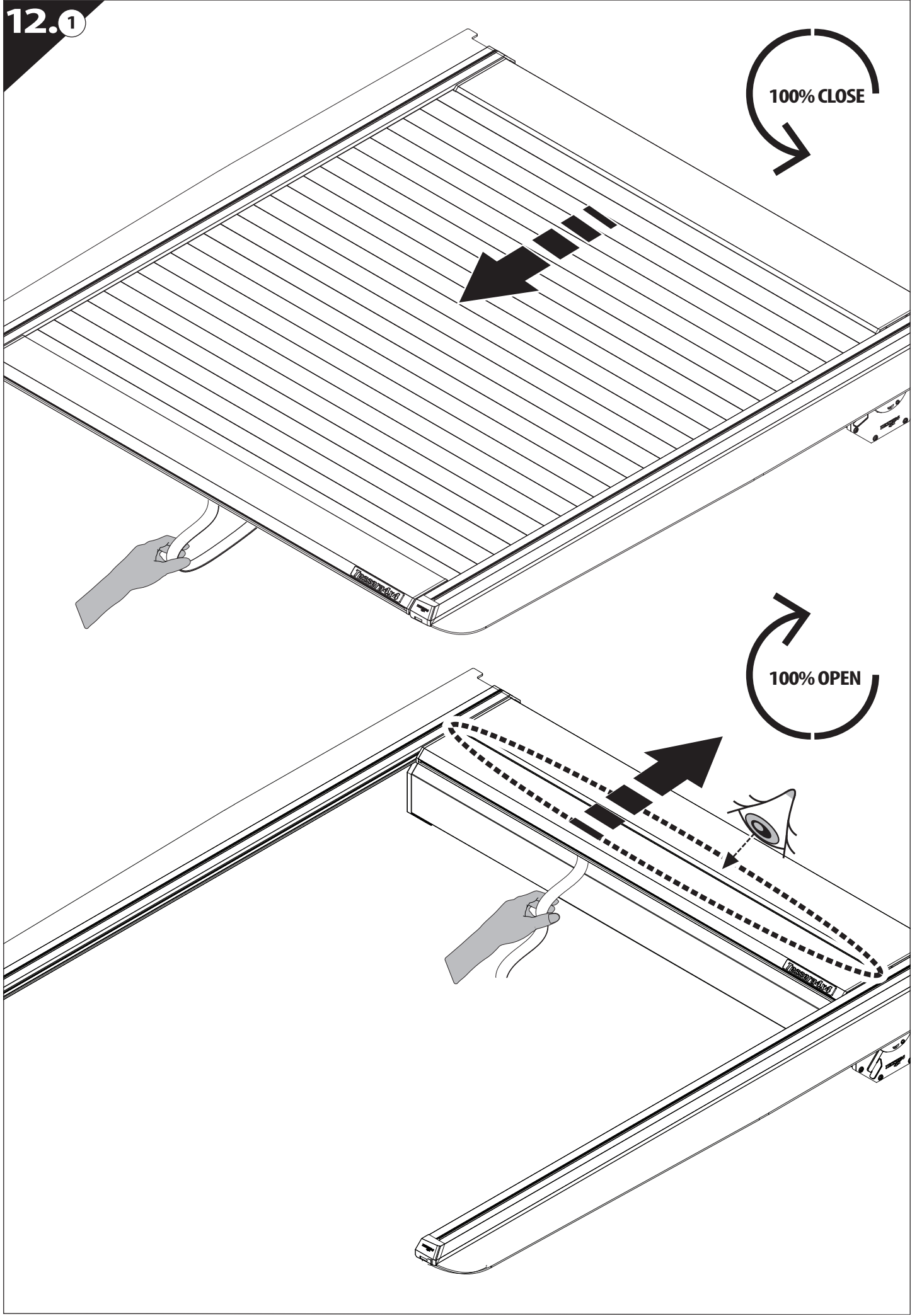
11



12



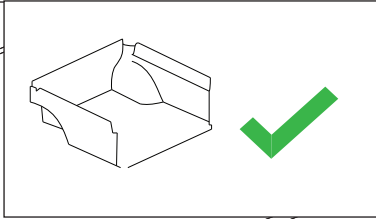
12.0



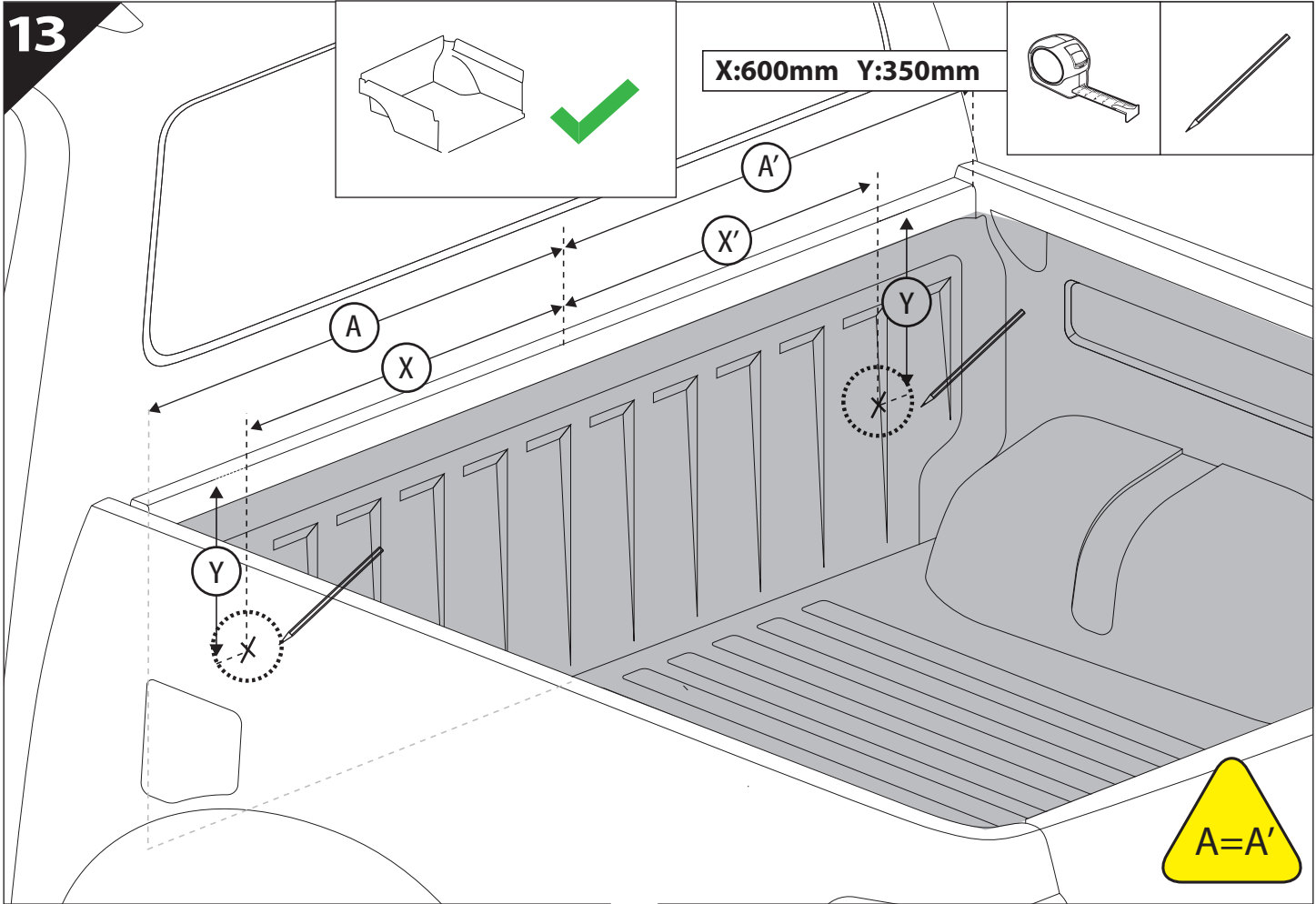
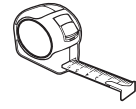
100% CLOSE

100% OPEN

13

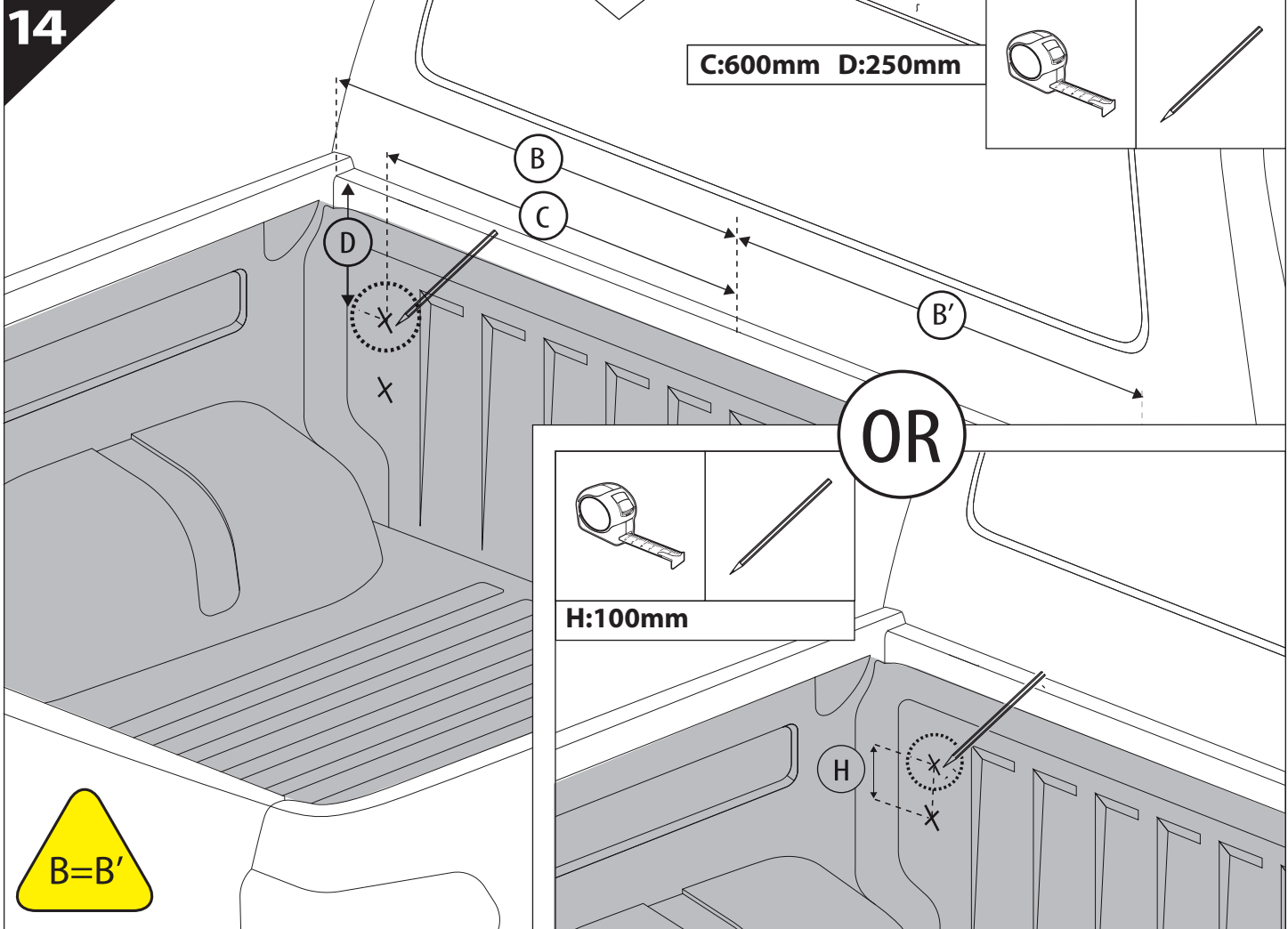
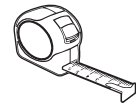


X:600mm Y:350mm

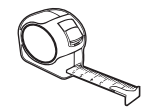


14

C:600mm D:250mm



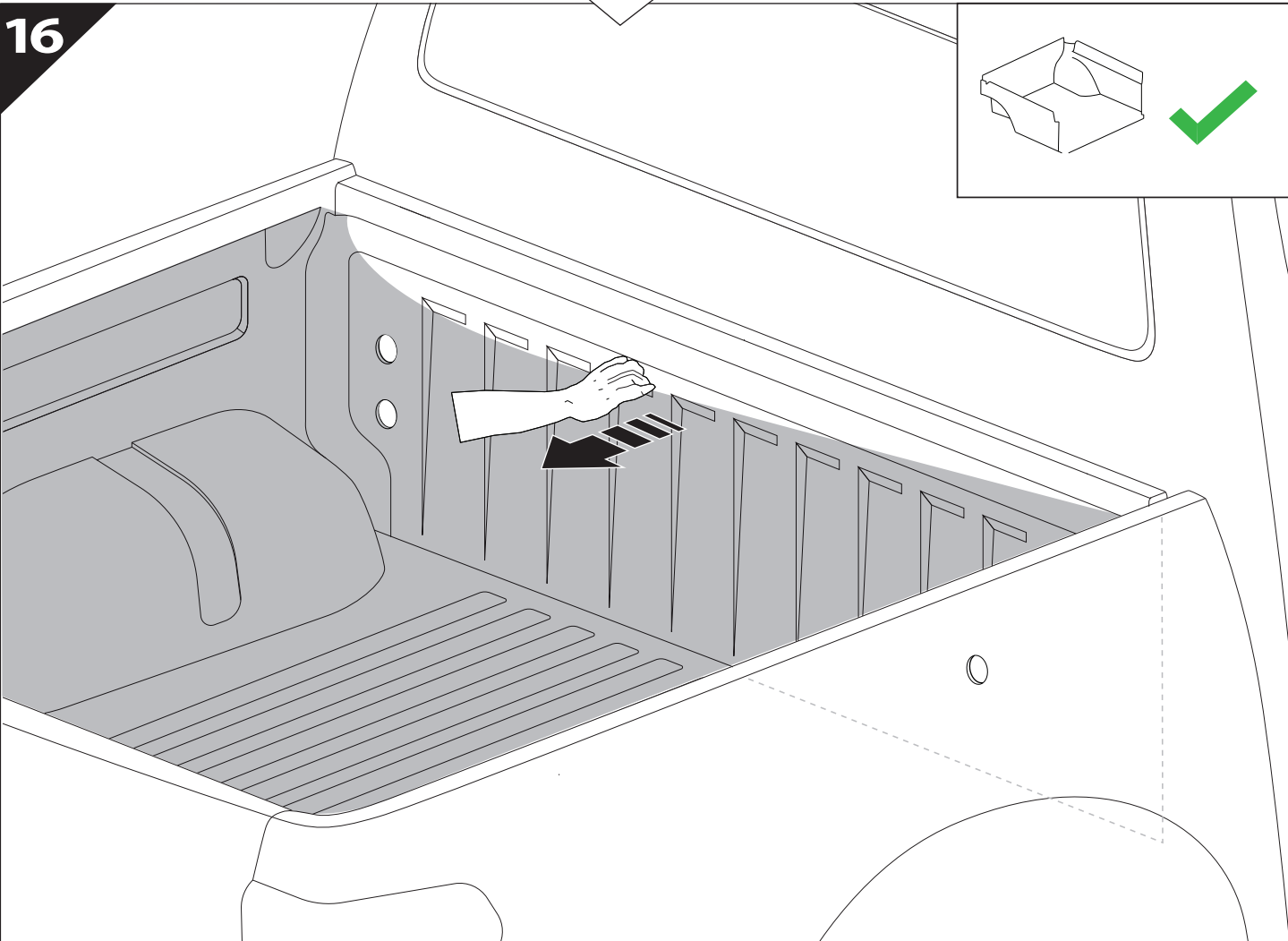
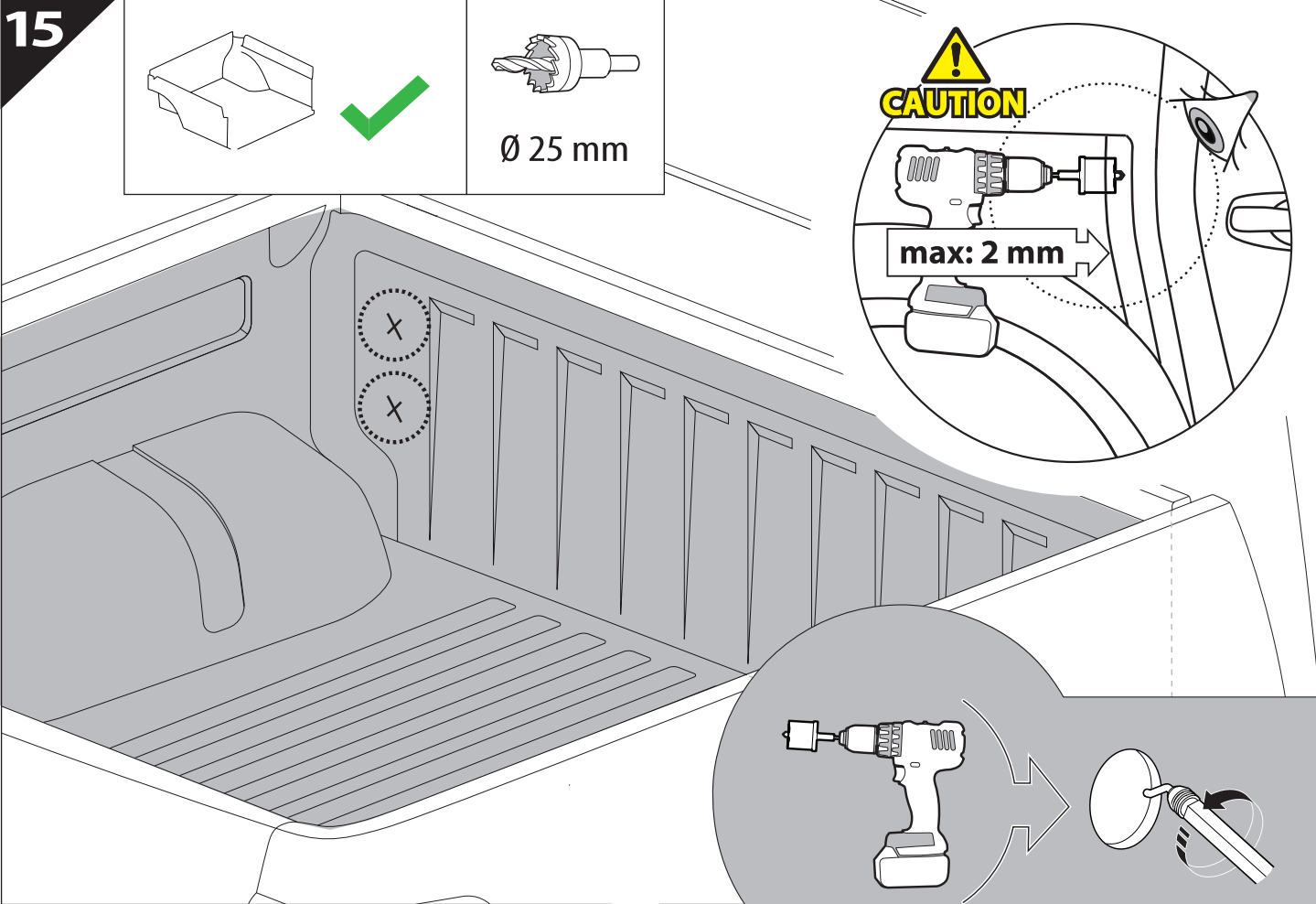
OR



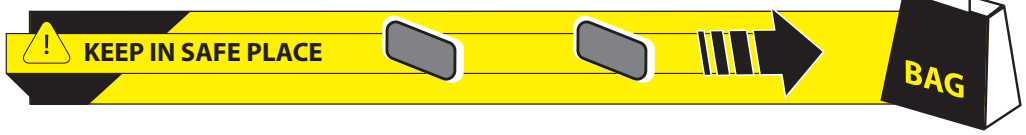
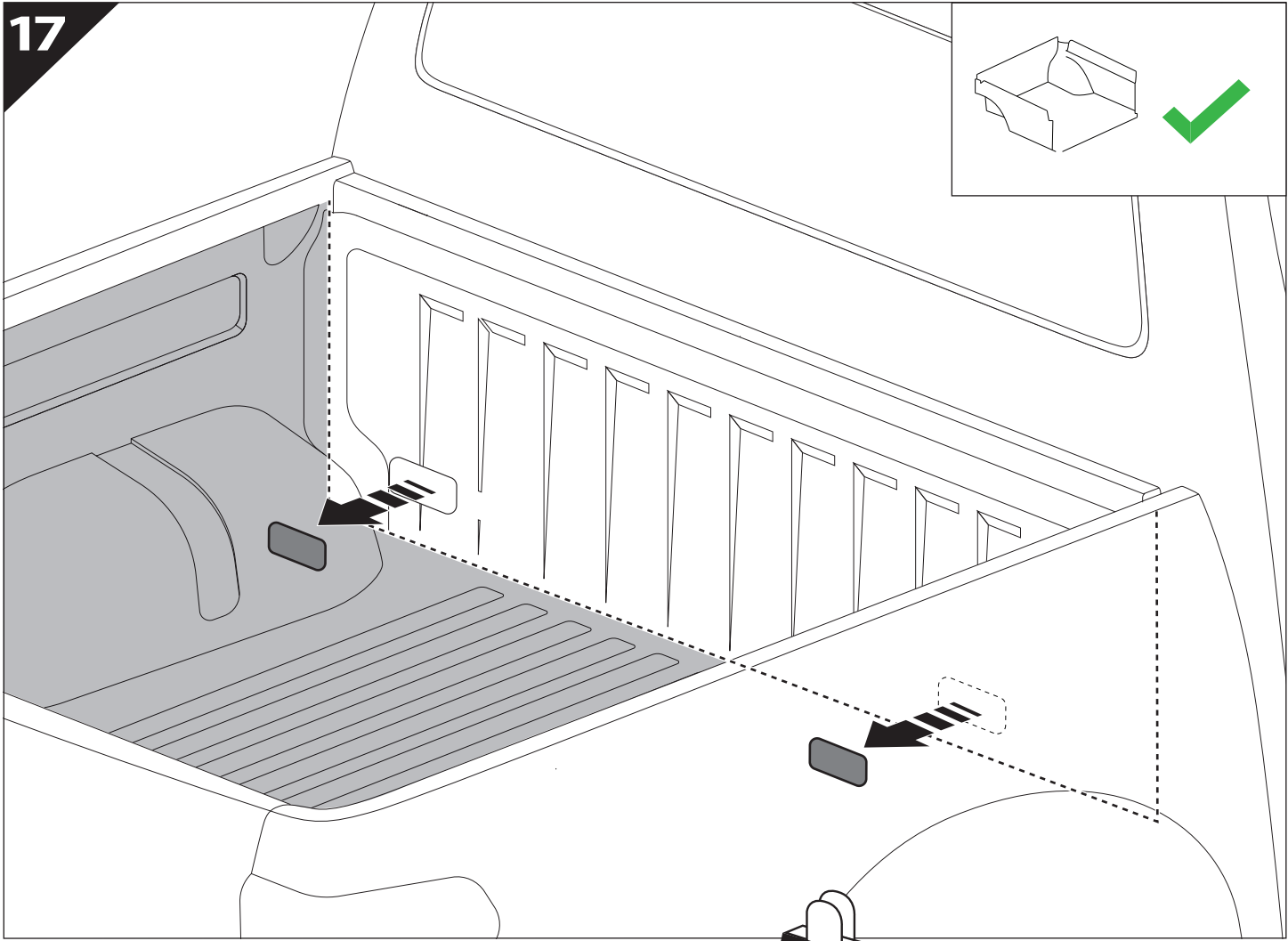
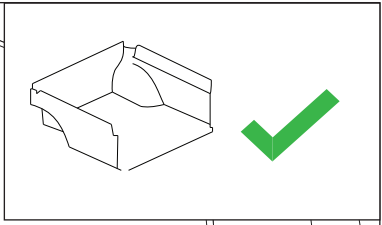
H:100mm

H



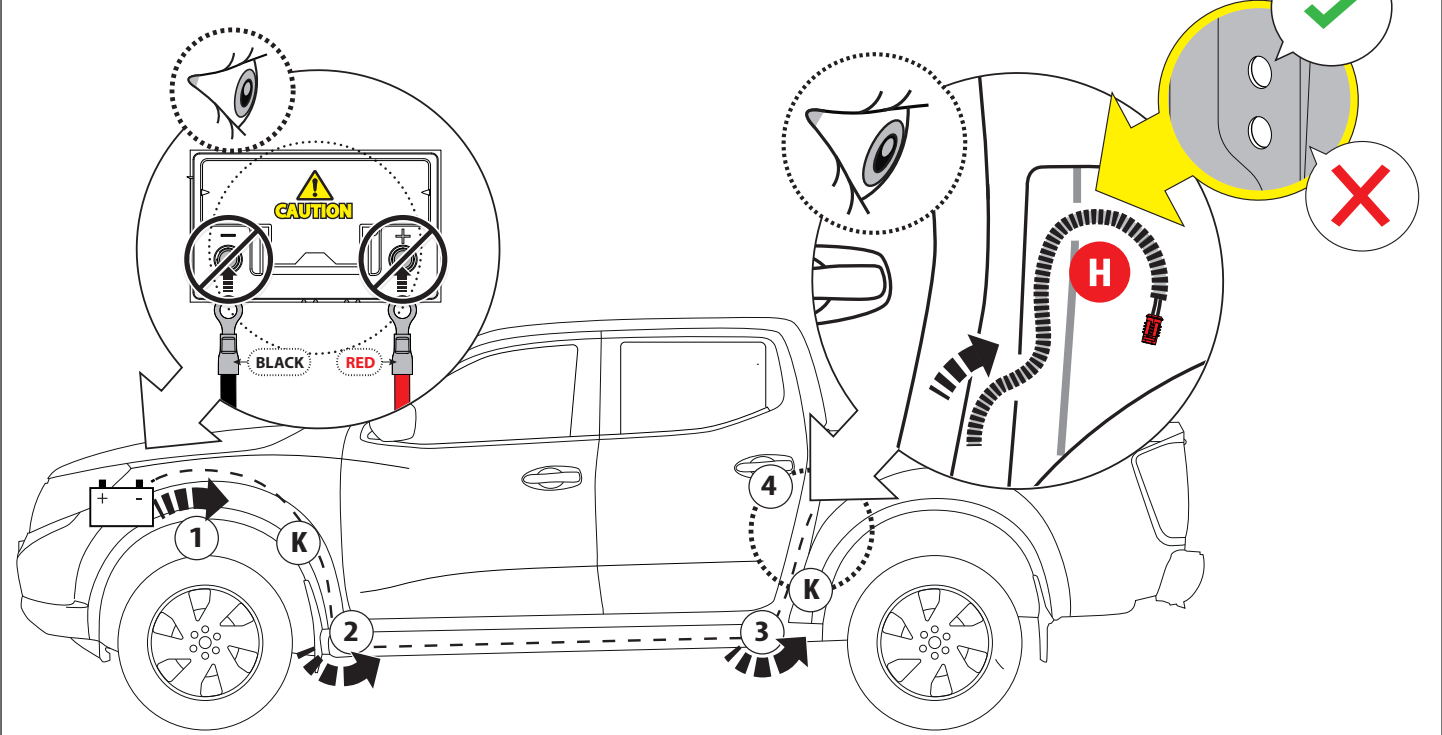
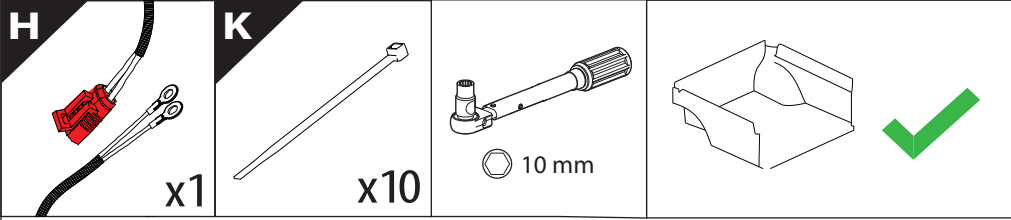


17

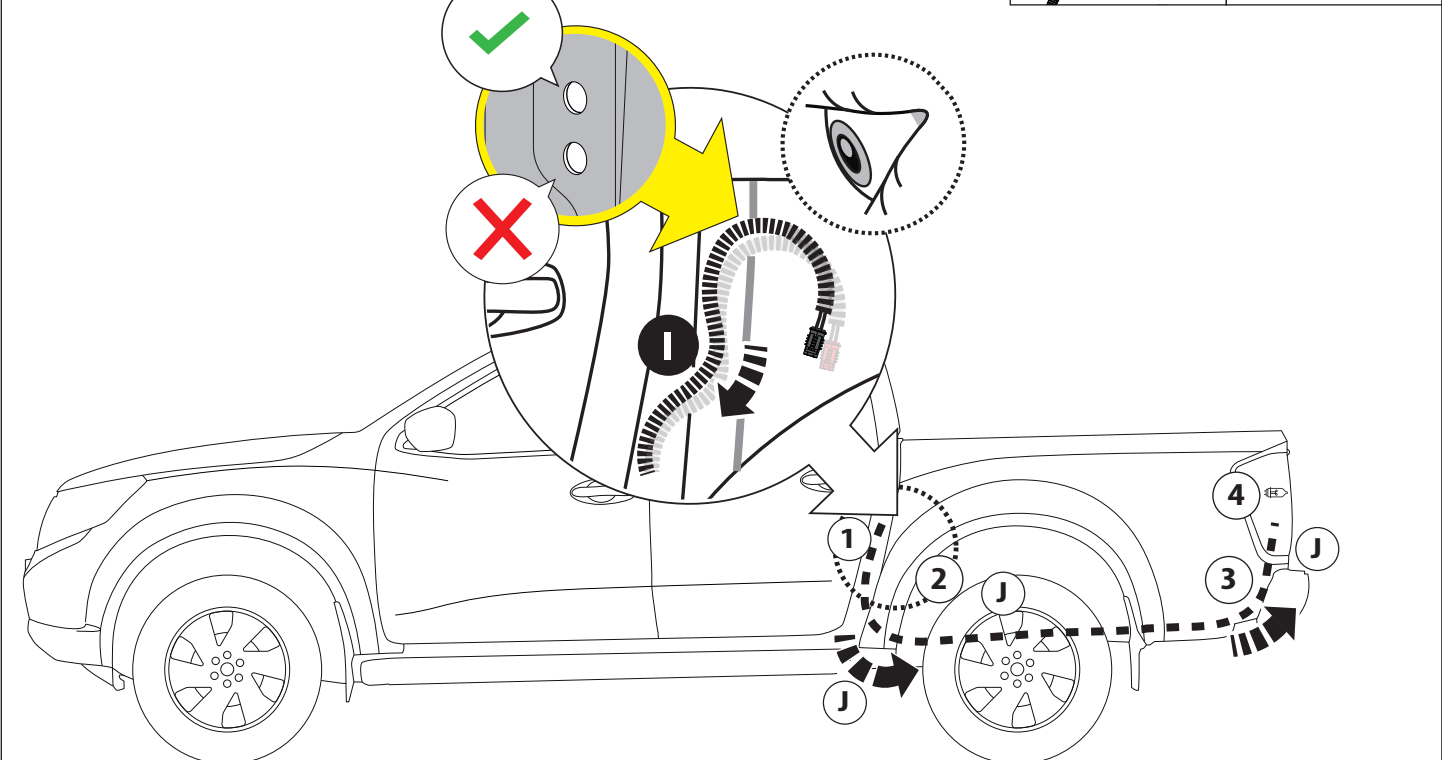
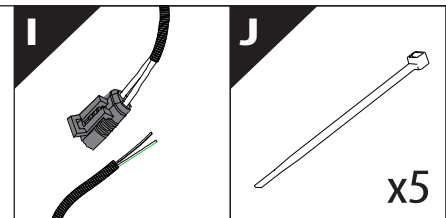


18

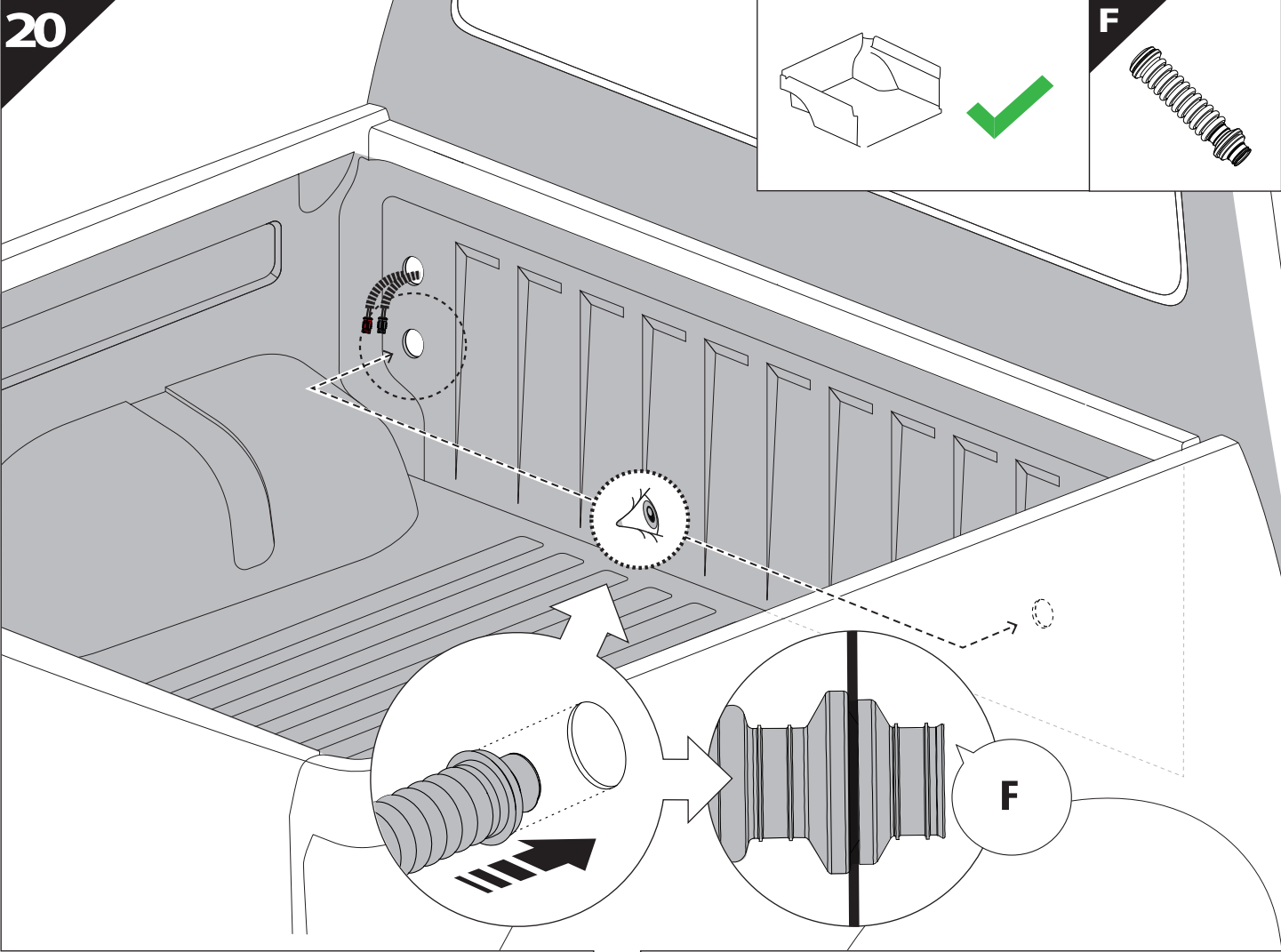
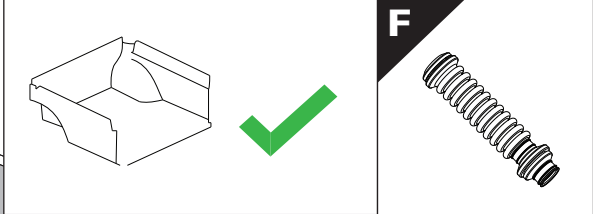
Only to be installed by authorized personnel



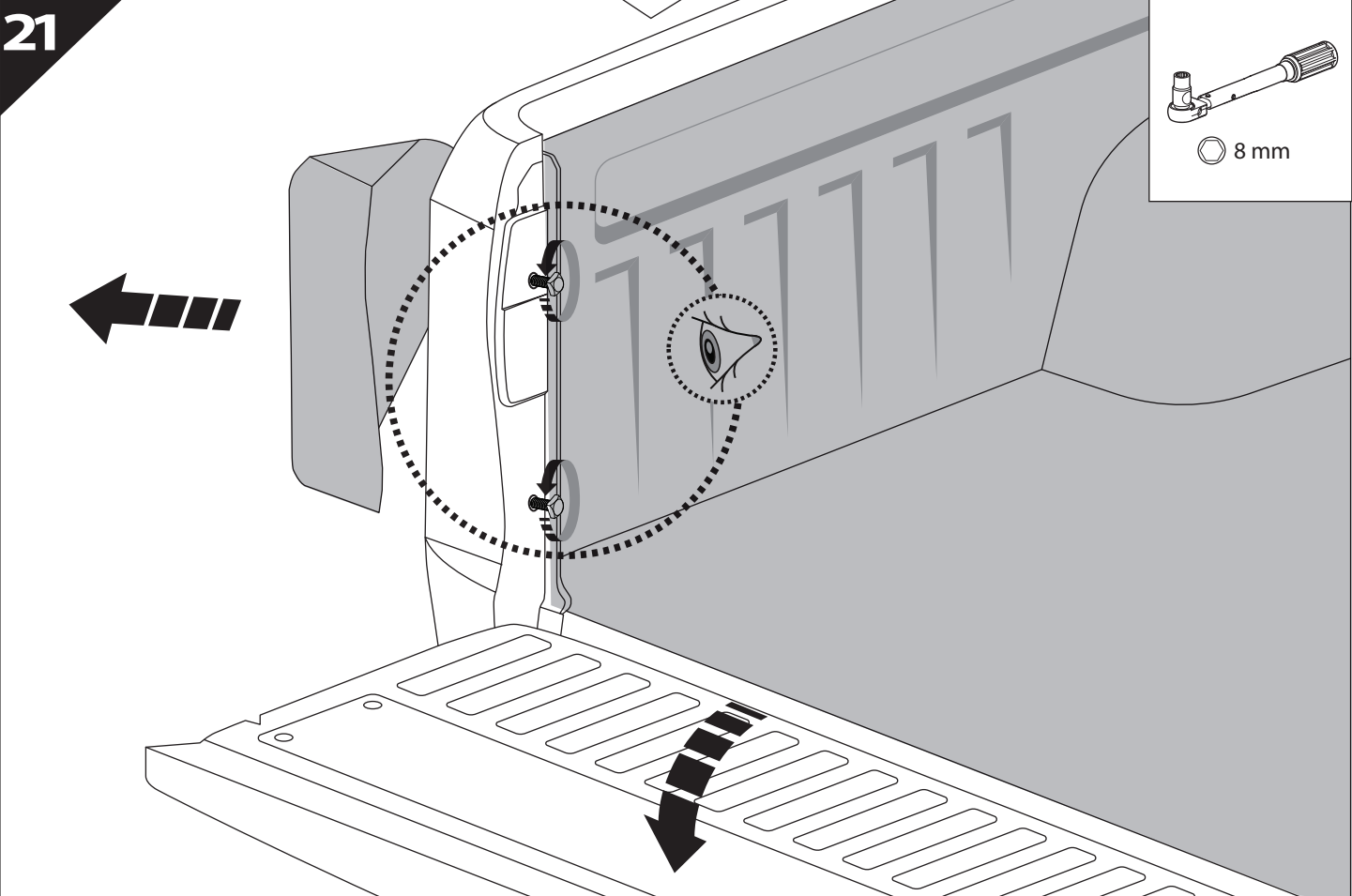
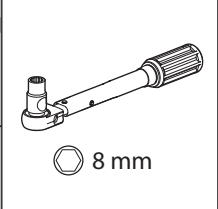
19

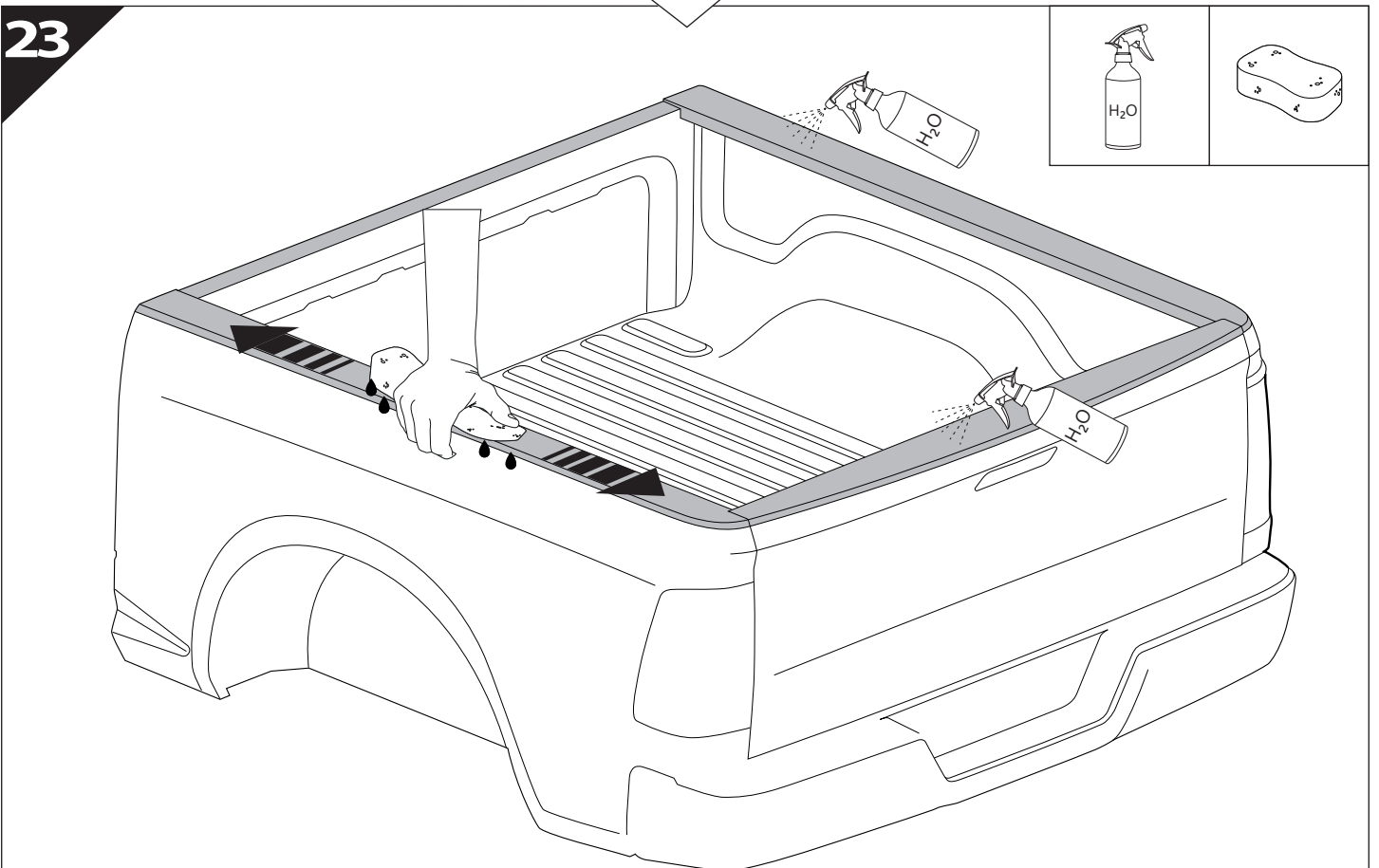
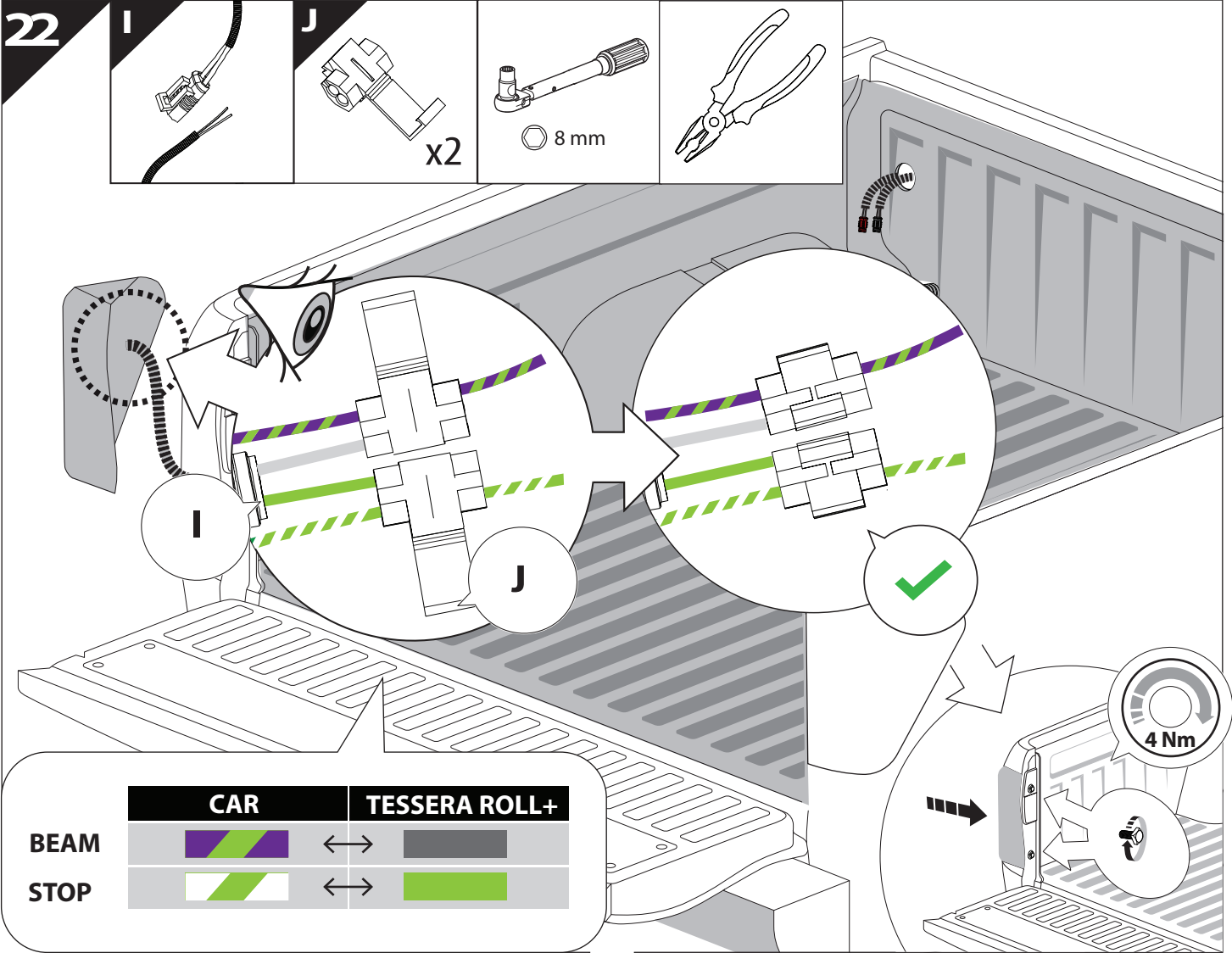


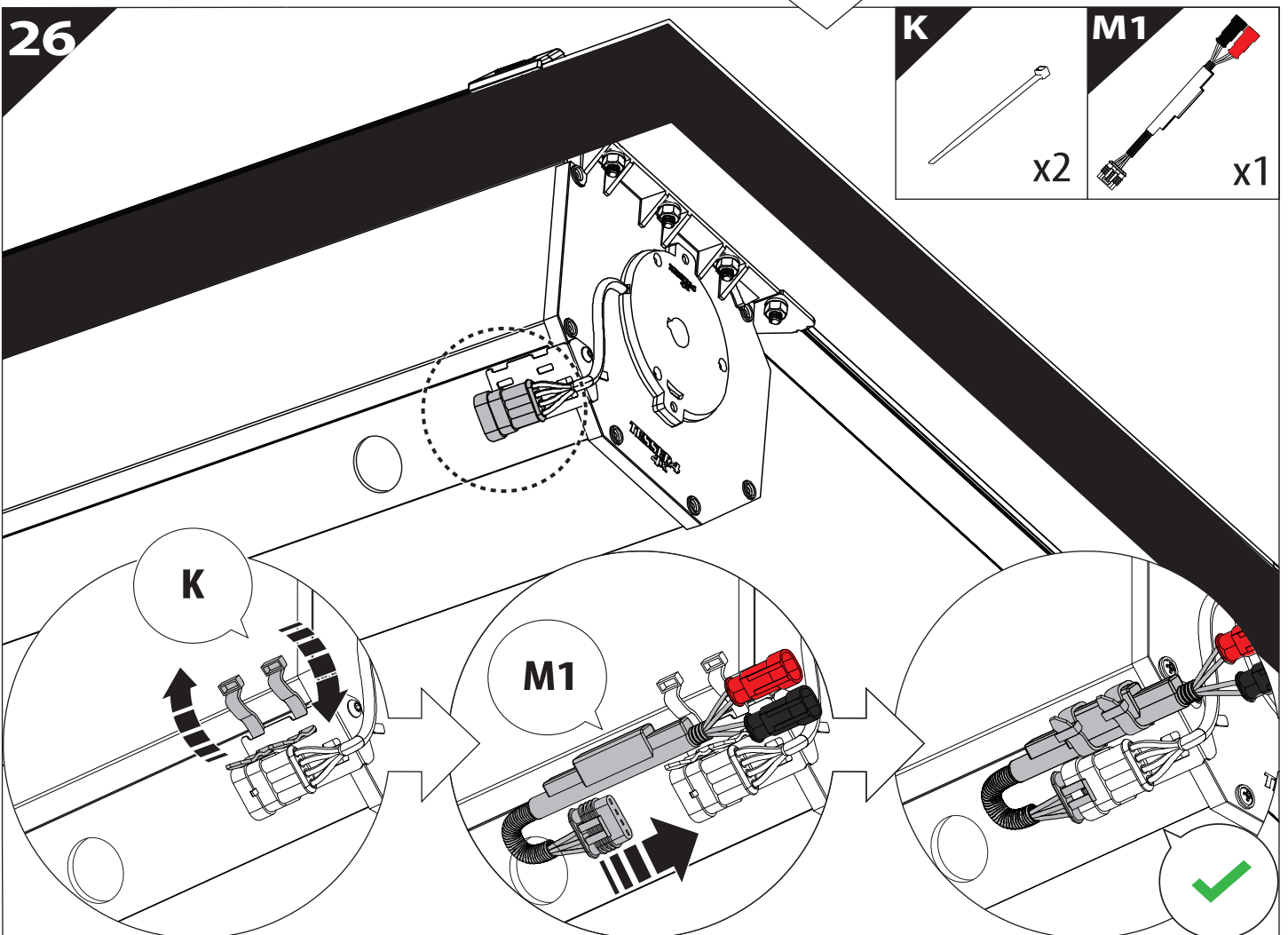
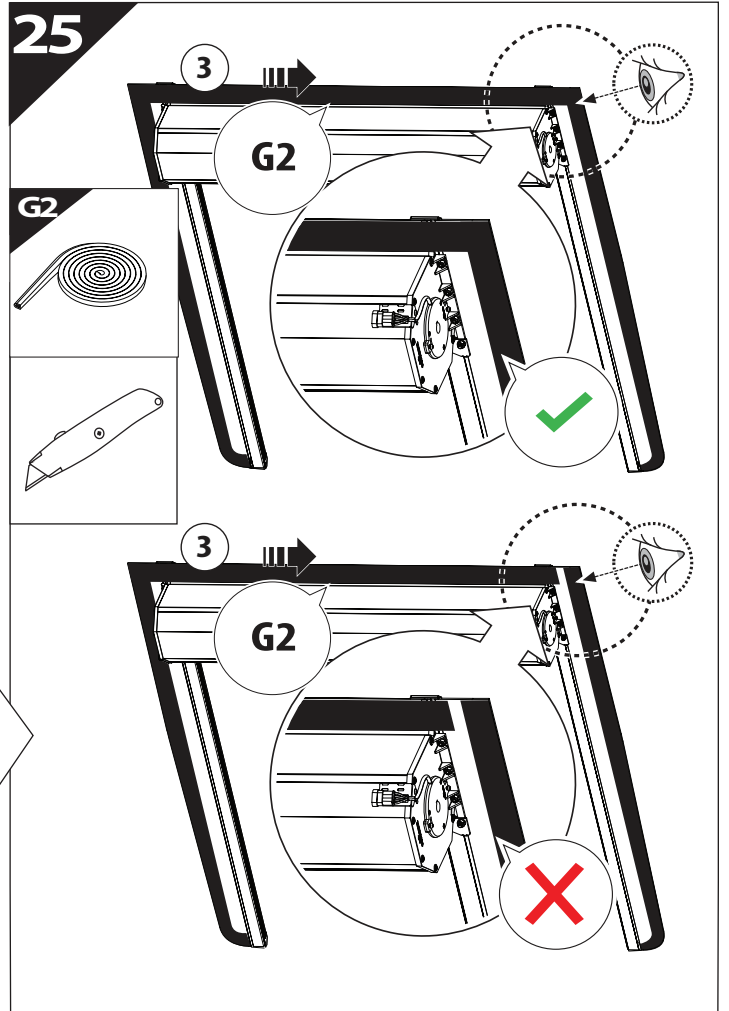
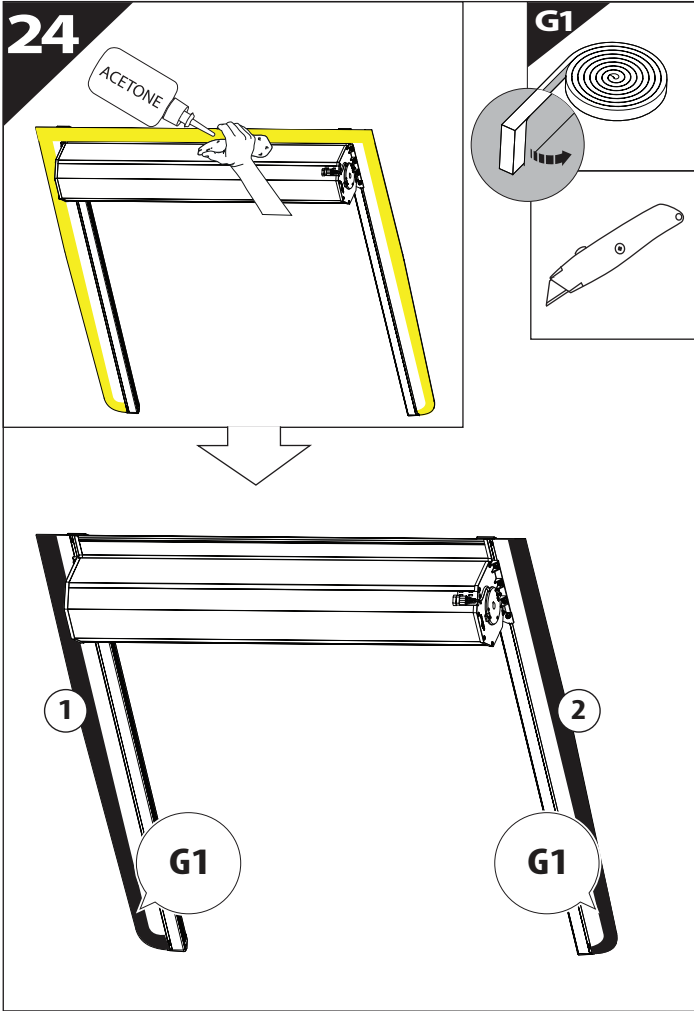
20

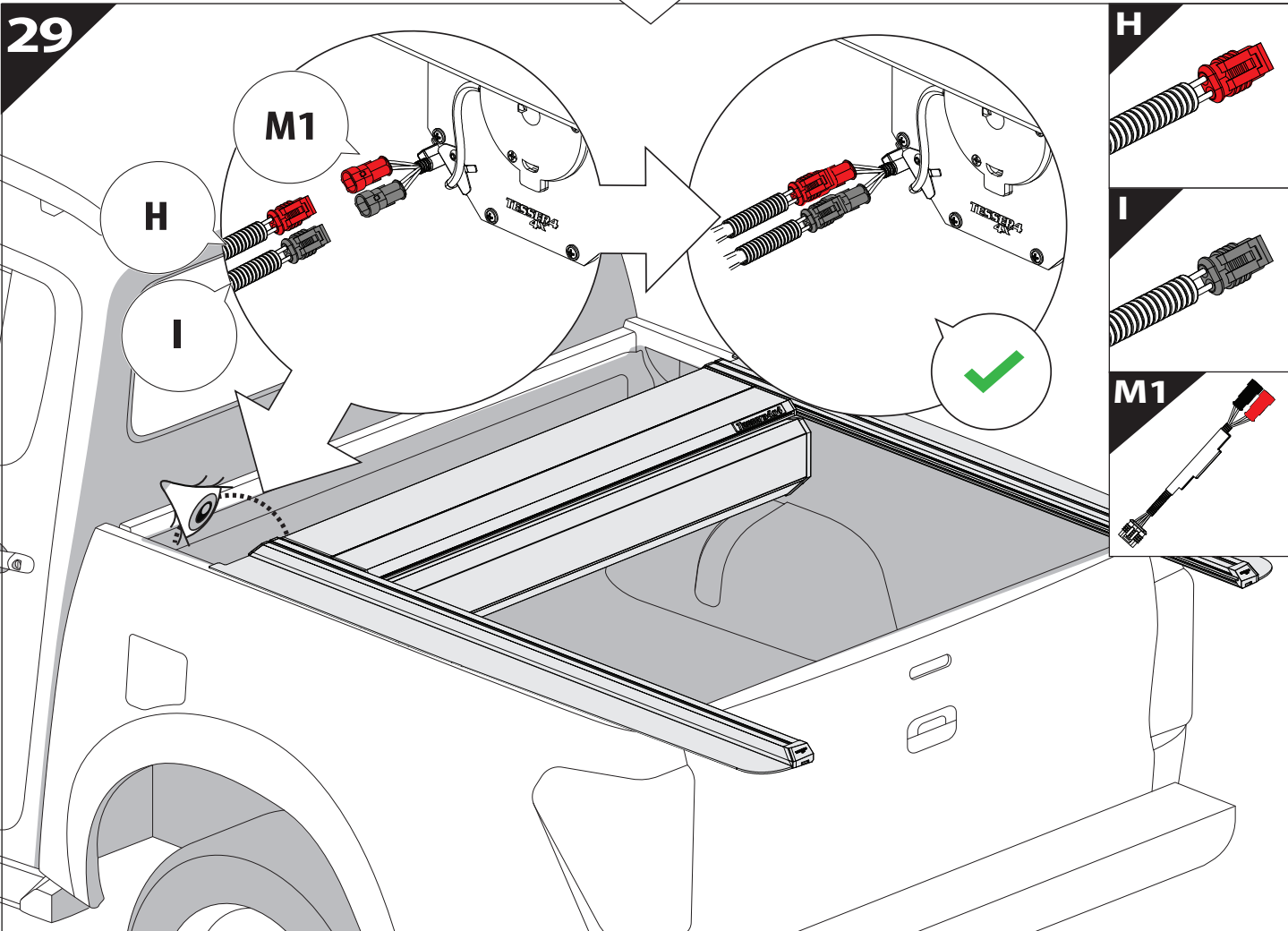
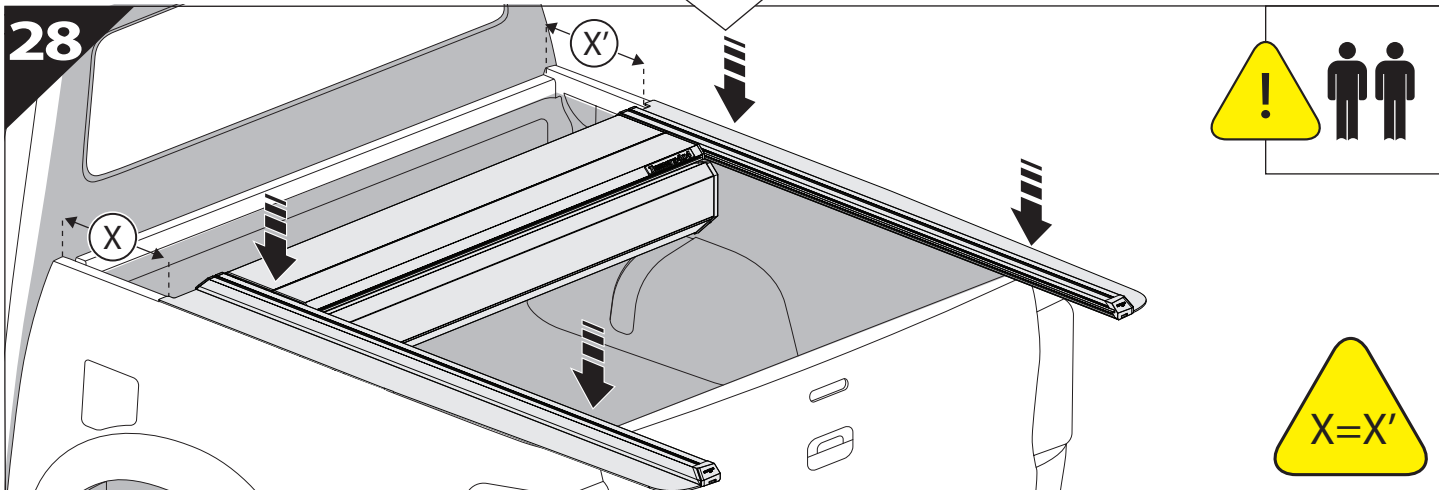
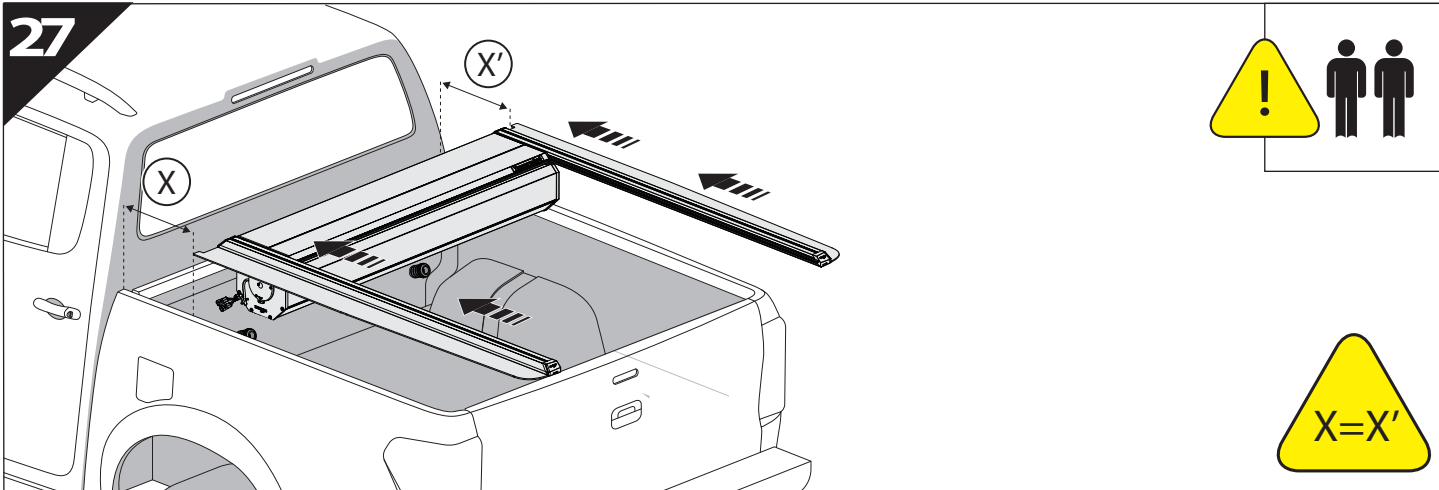


21



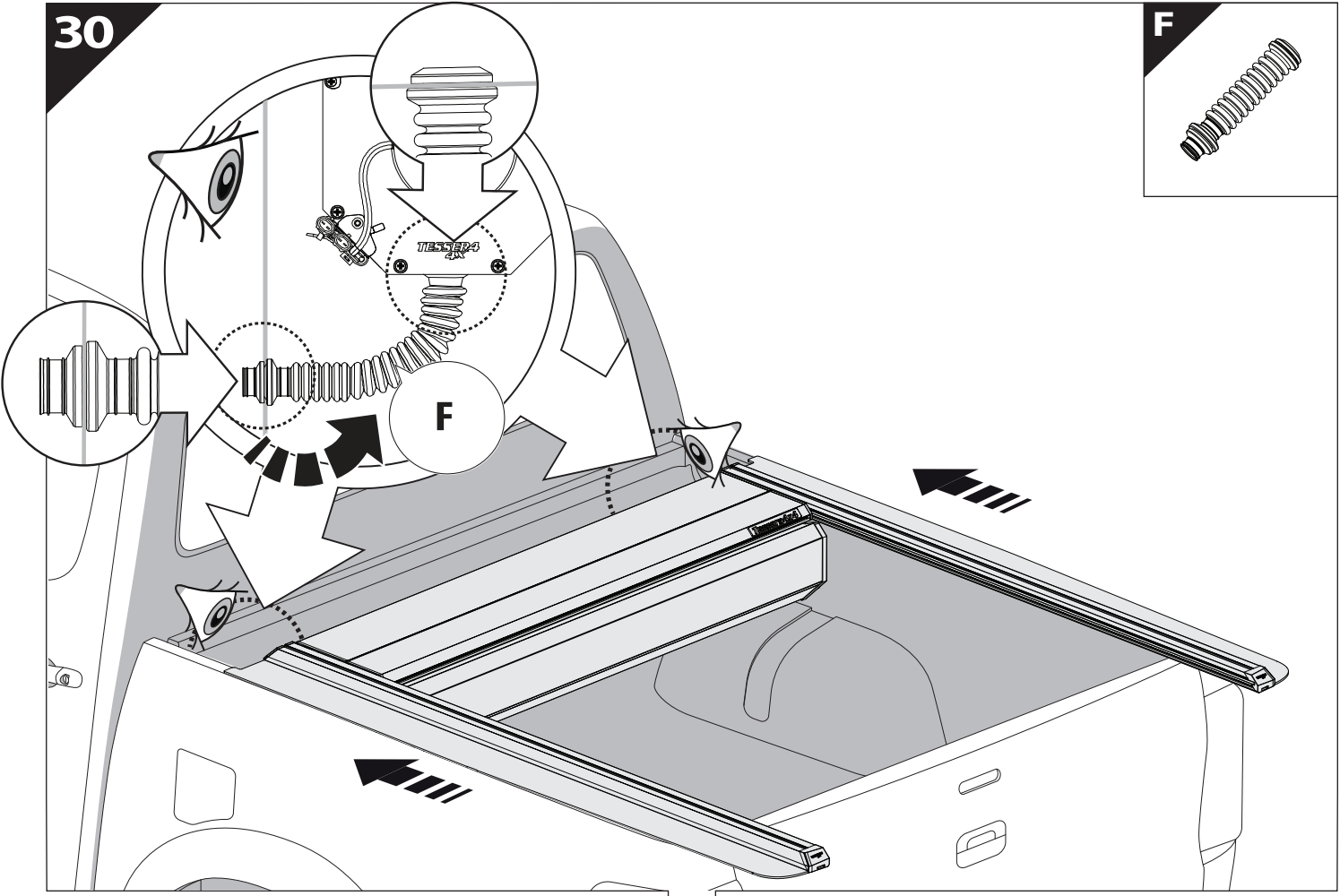




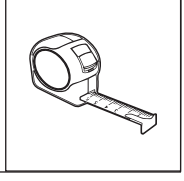
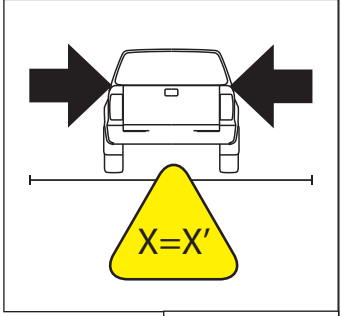
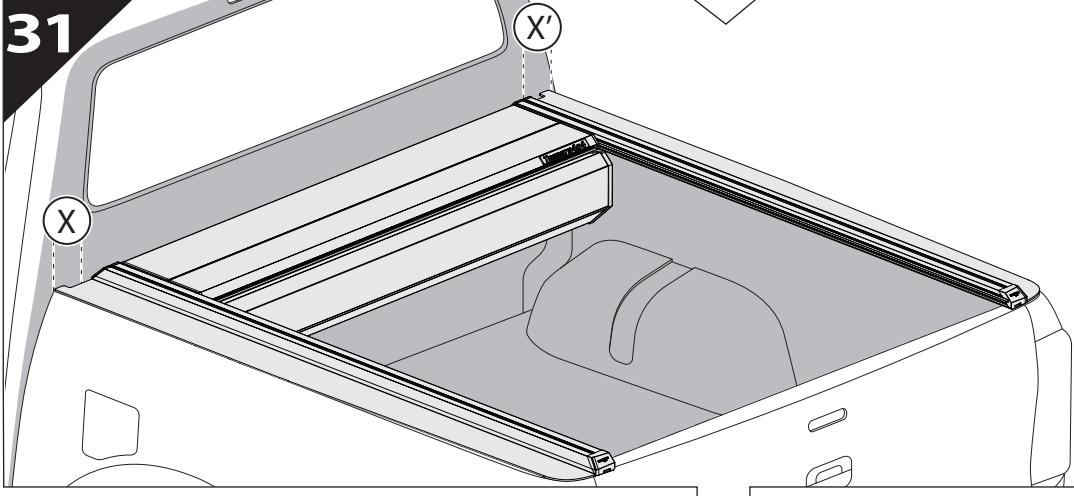


30

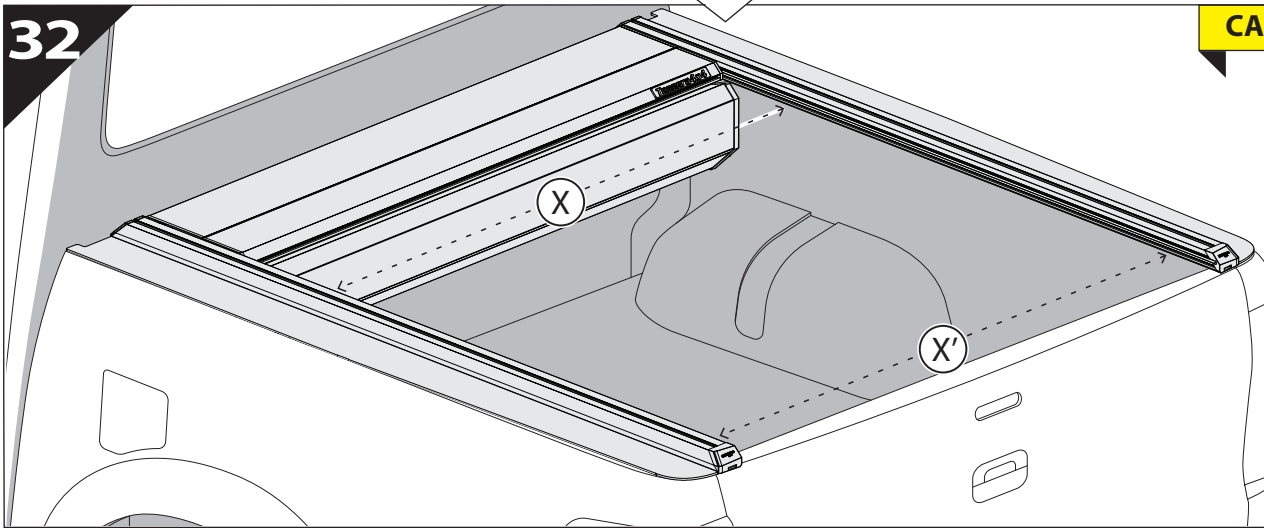
F



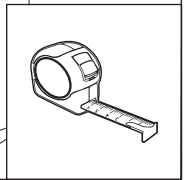
31

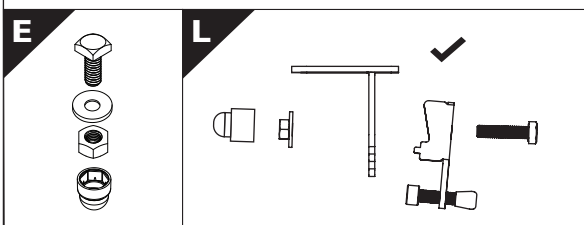
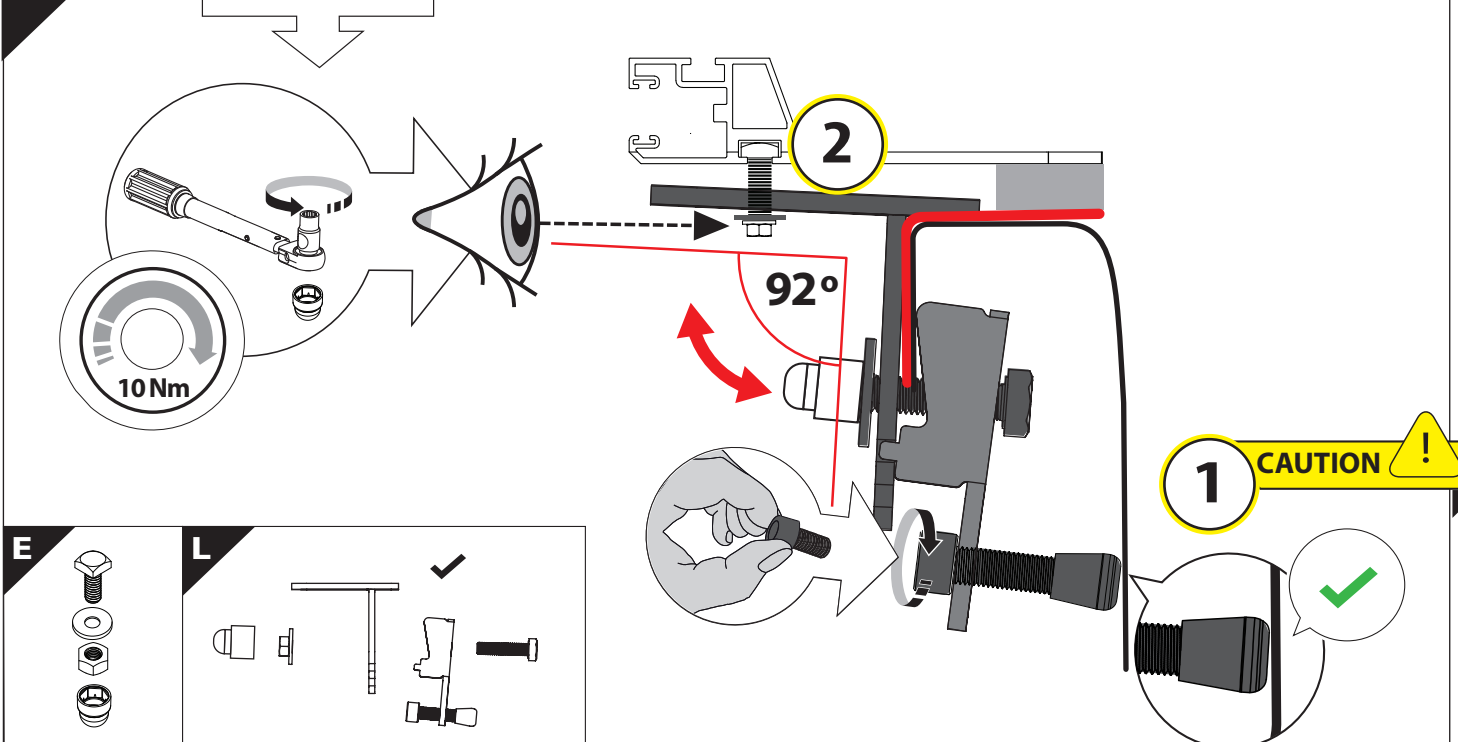
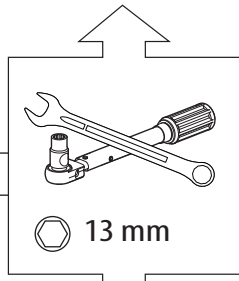
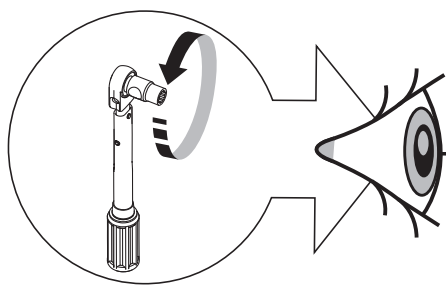
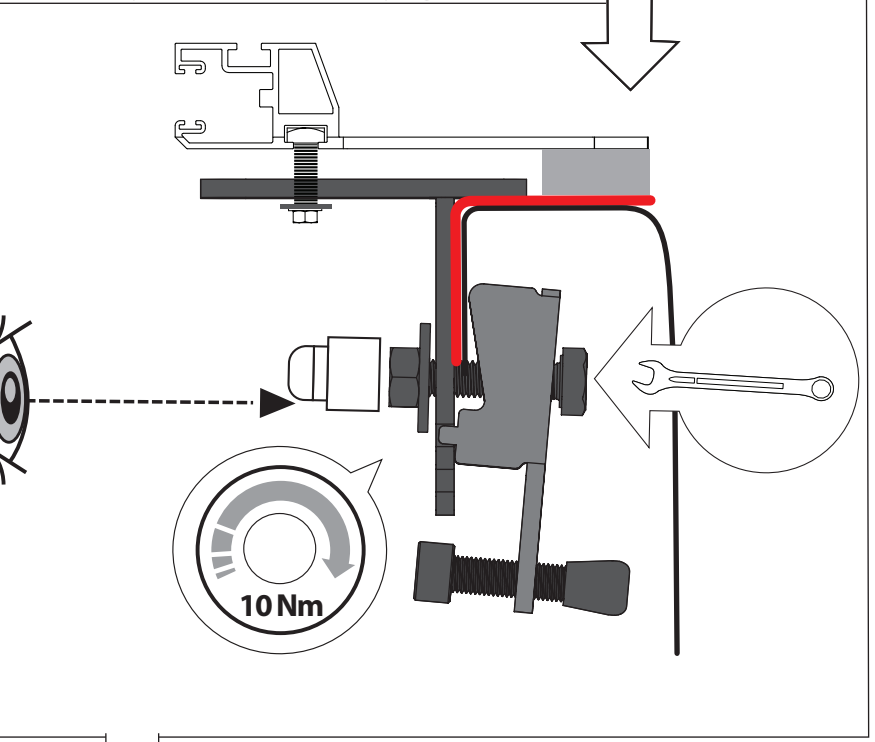
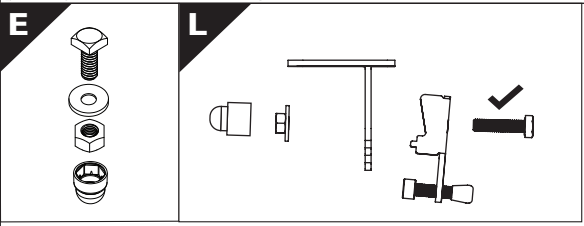
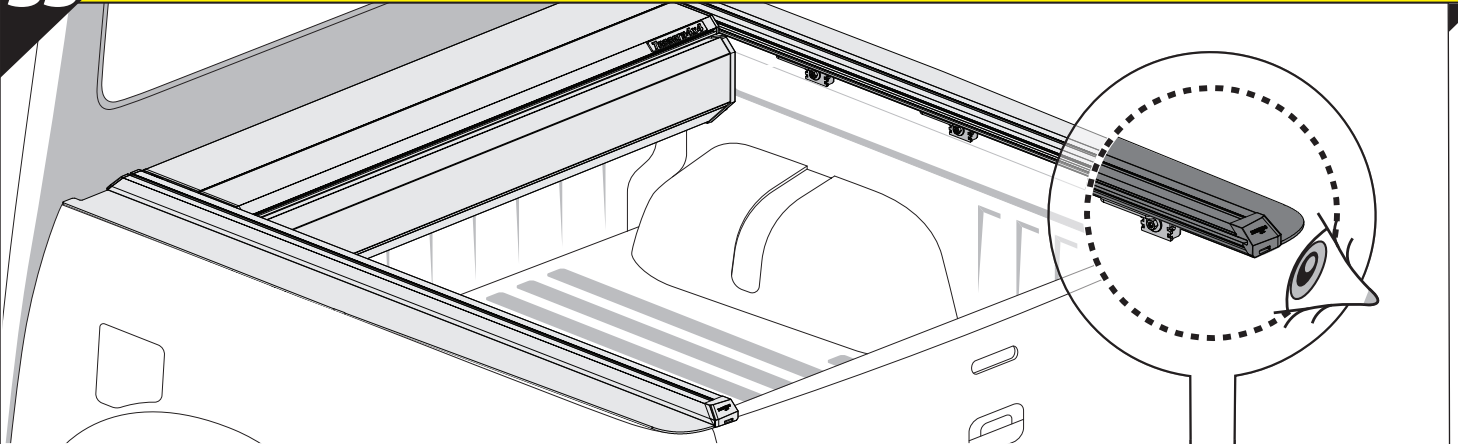


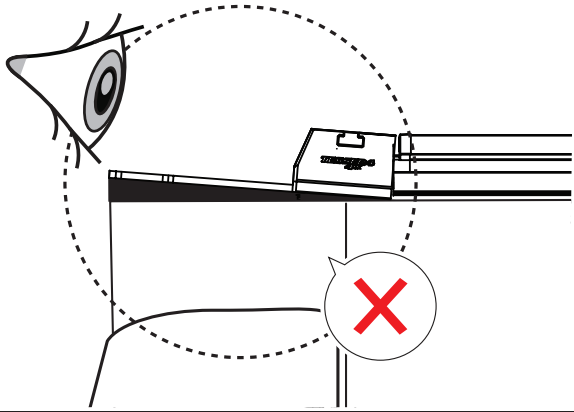
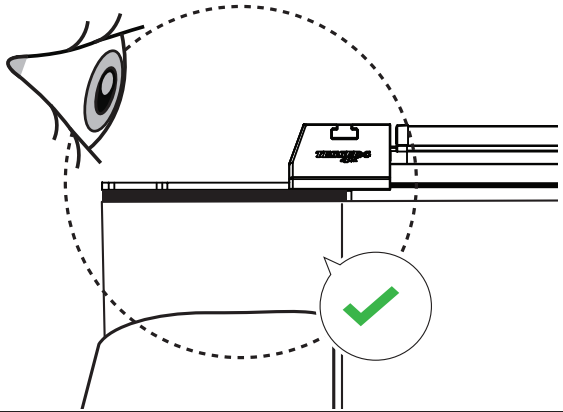
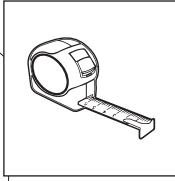
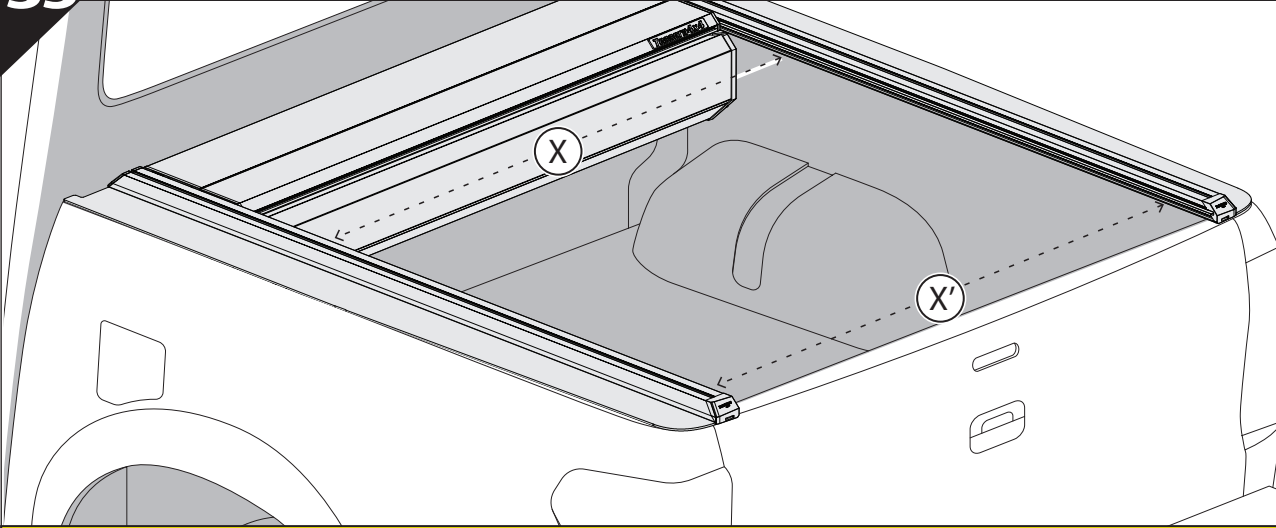
32



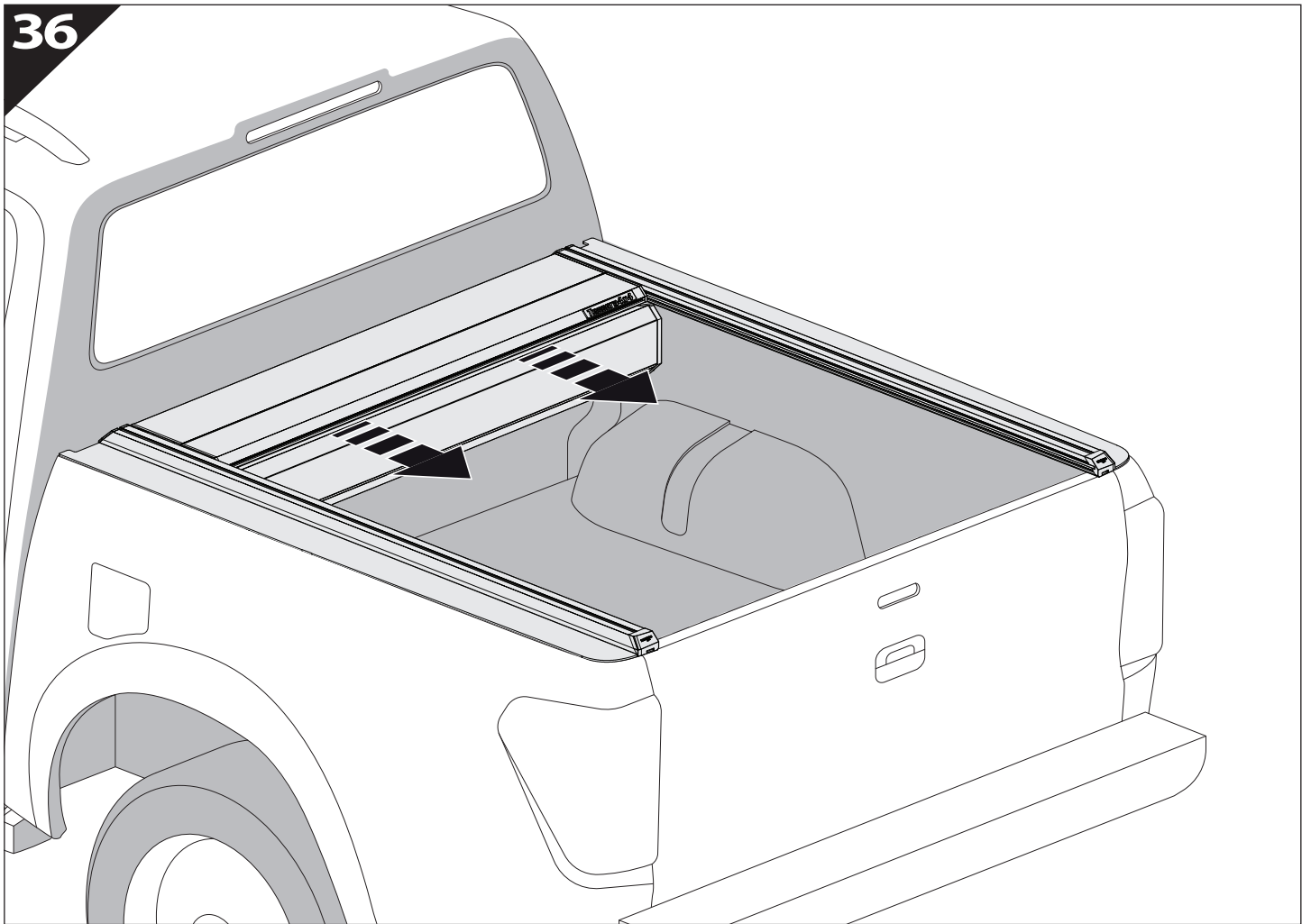
CAUTION !



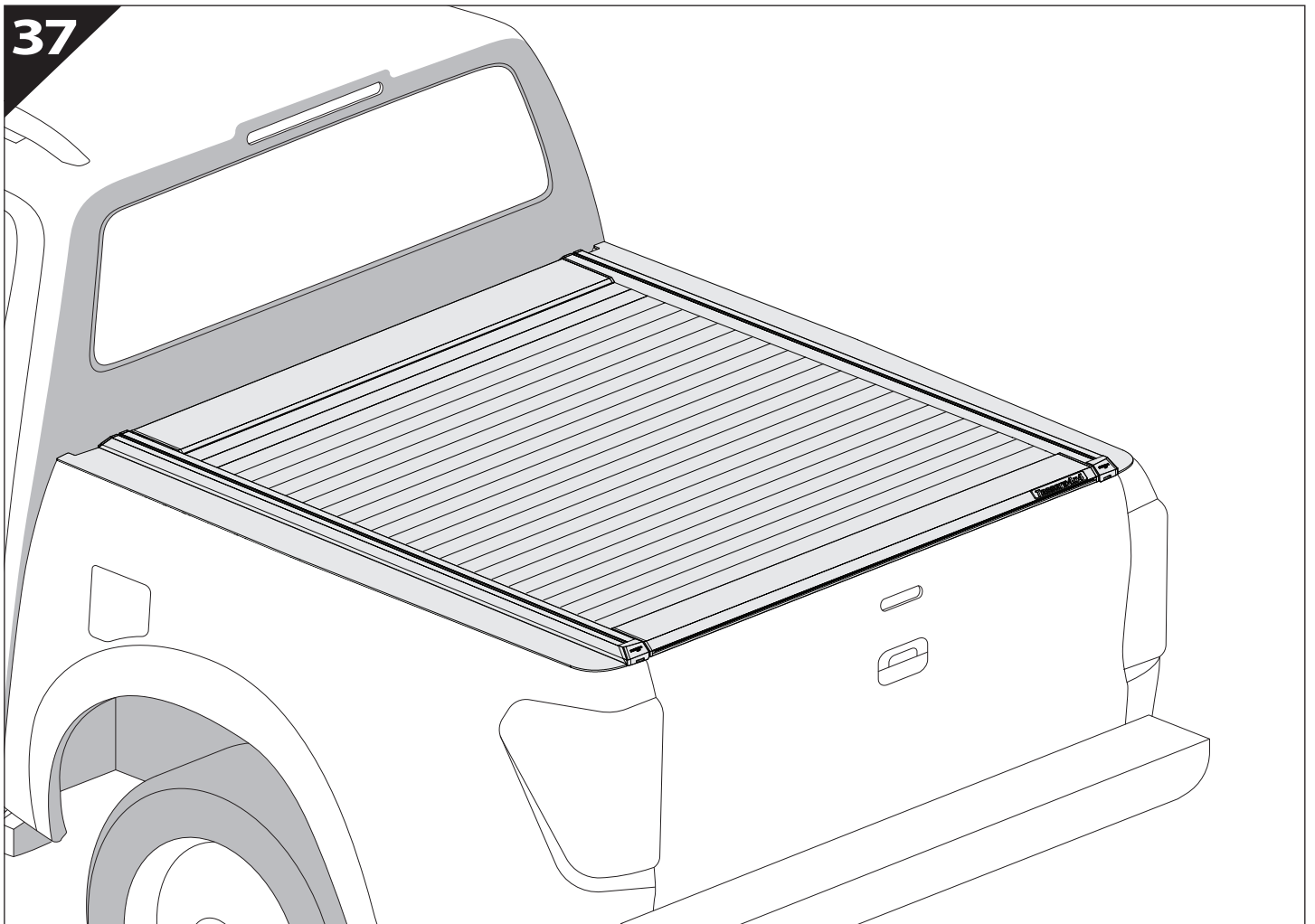




36



37





GR: Οδηγίες Εγκατάστασης
GB: Installation manual
SF: Asennusohje
F: Notice de montage
PL: Instrukcja montażu
NL: Installatie-instructies
TR: Montaj Talimatı
S: Monteringsanvisning
E: Instrucciones de montaje

H: Szerelési utasítás
P: Instruções de instalação
RUS: Инструкция по установке
N: Monteringsveiledning
D: Einbauanleitung
CZ: Návod k instalaci
I: Istruzioni de montaggio
DK: Monteringsvejledning
RO: Instructiuni de instalare

Customer Service:

+30 (210) 5541161, +30 (210) 5541154 (08:00 - 16:00 EET)

Support department:

info@gianso.gr

Website:

www.tessera4x4.com

Address:

19.5 km of National road Athens-Korinthos (Elefsina) Greece, P.C: 19200