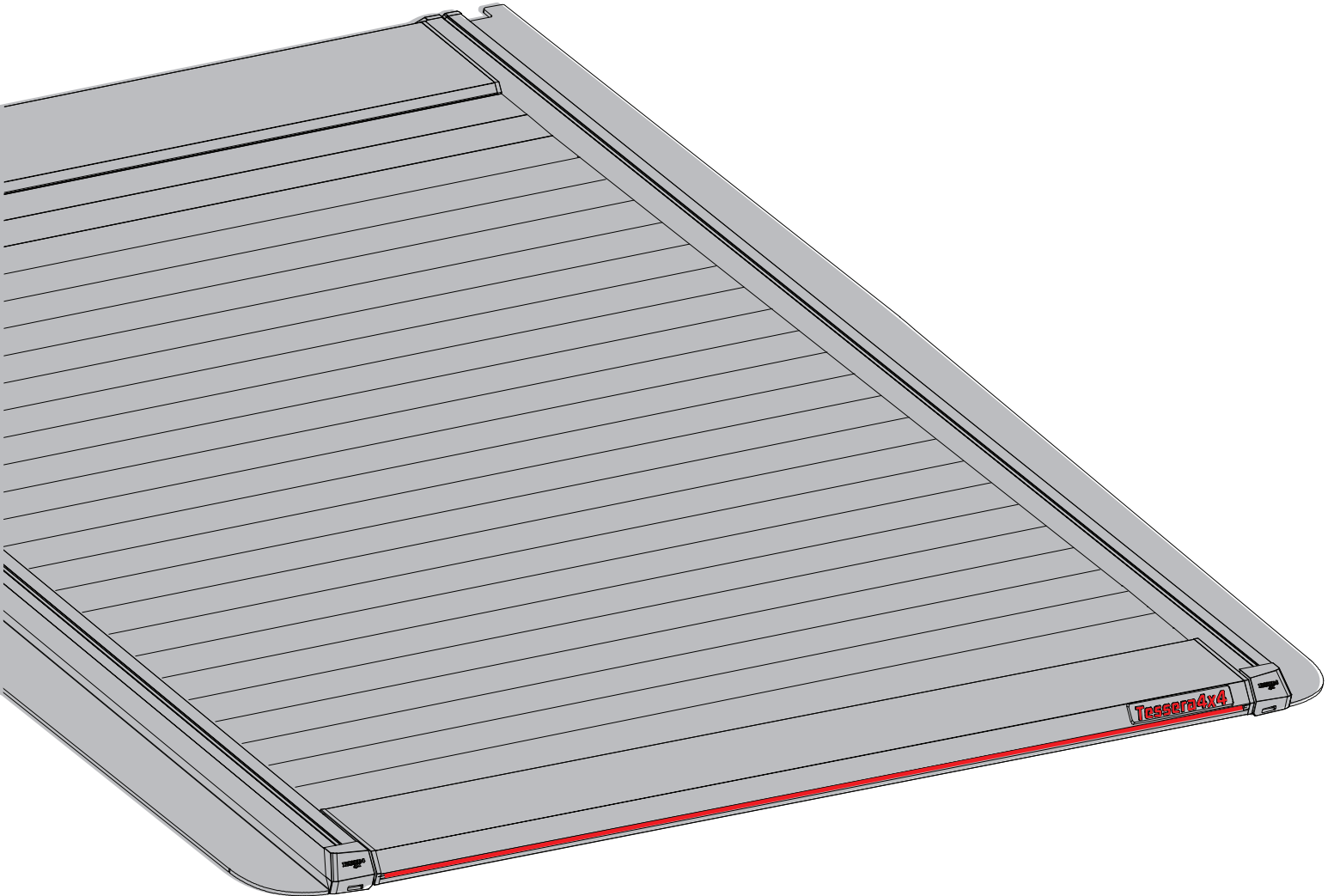


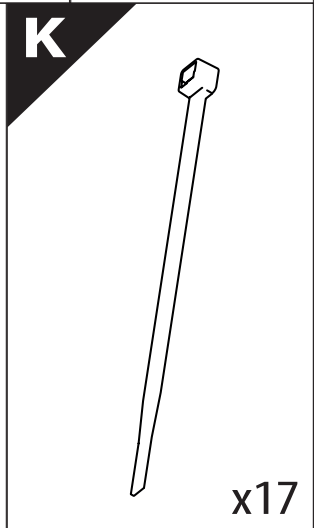
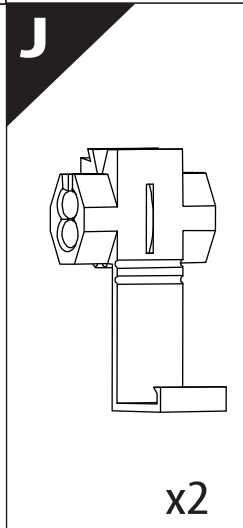
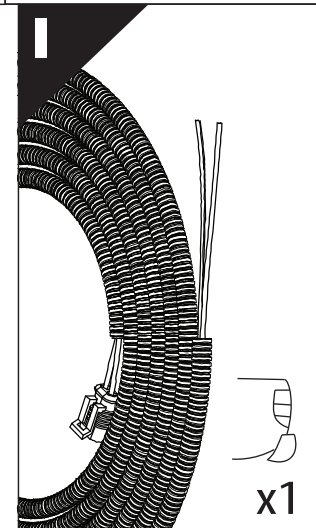
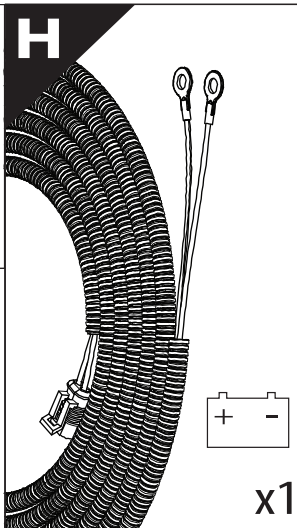
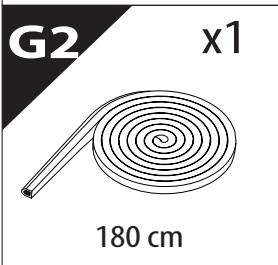
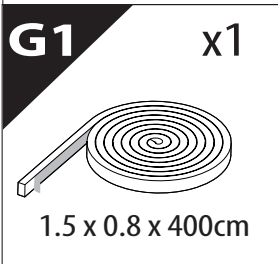
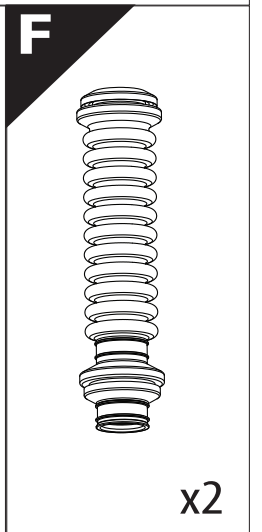
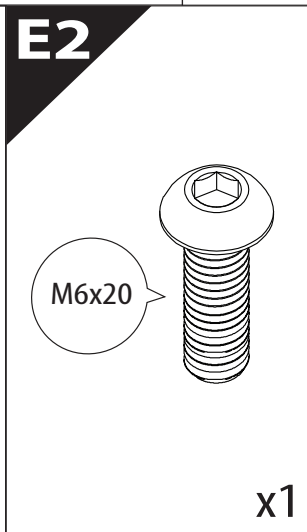
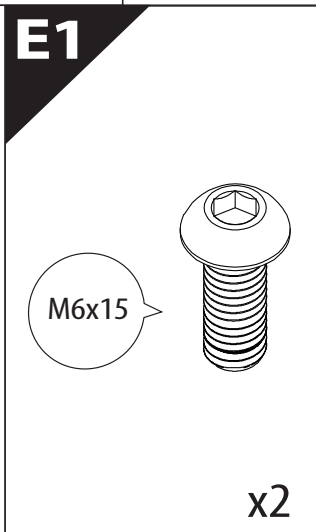
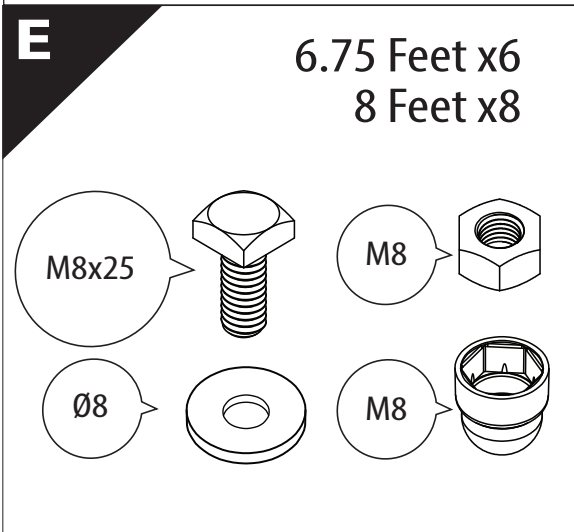
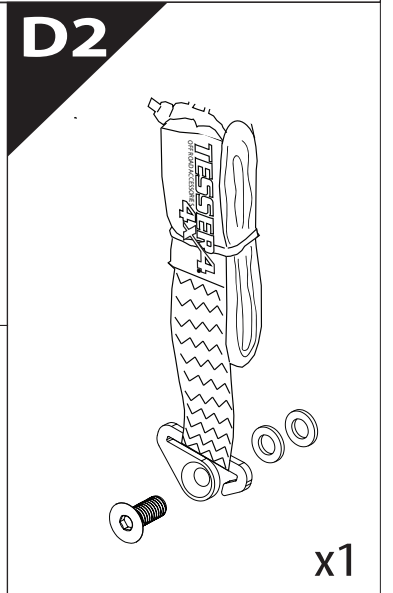
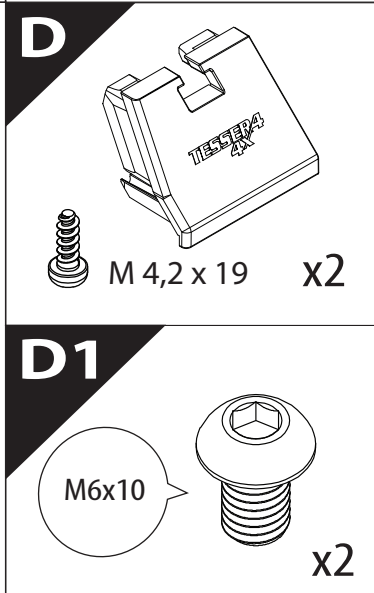
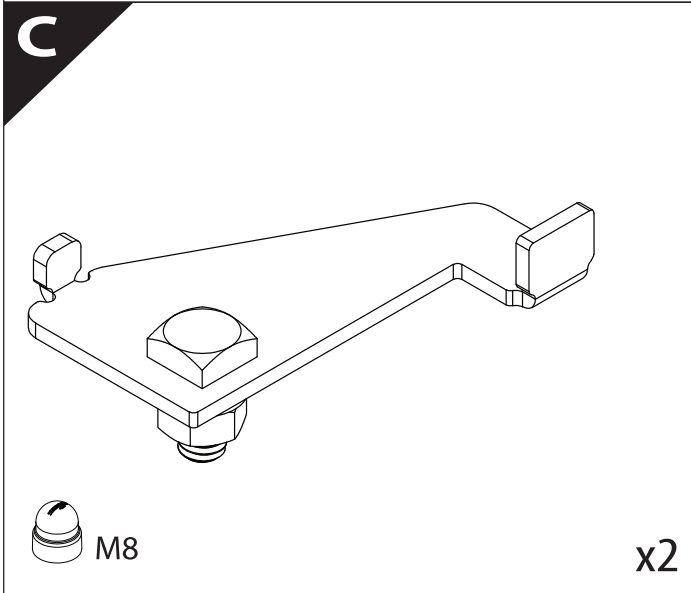
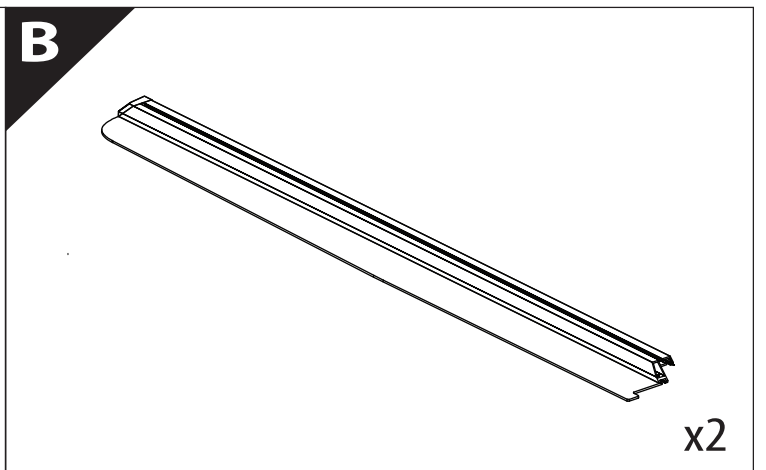
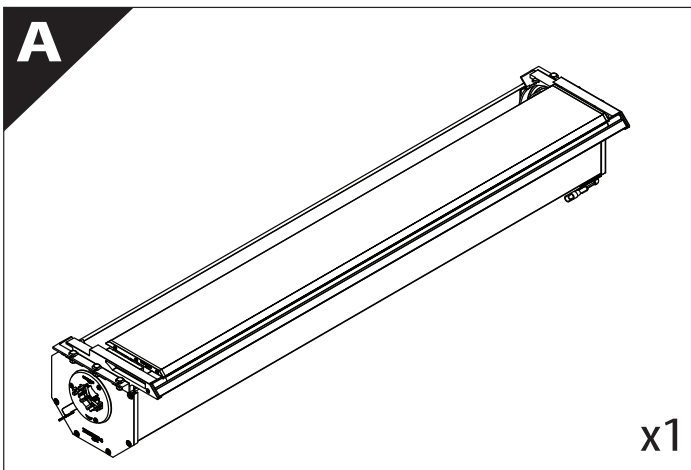
# Tessera Roll+

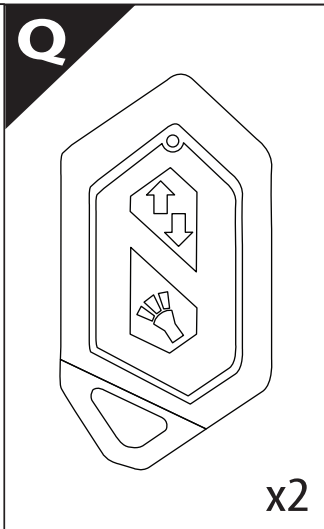
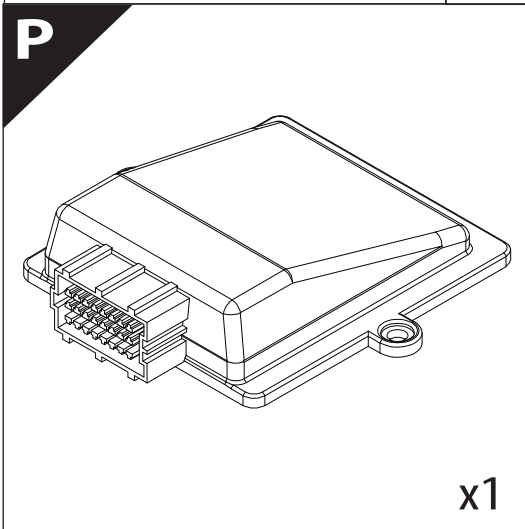
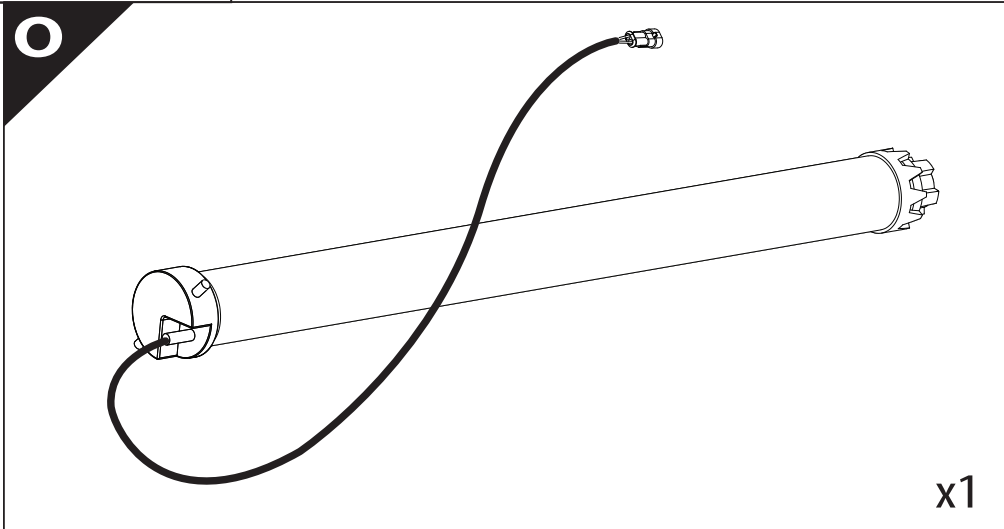
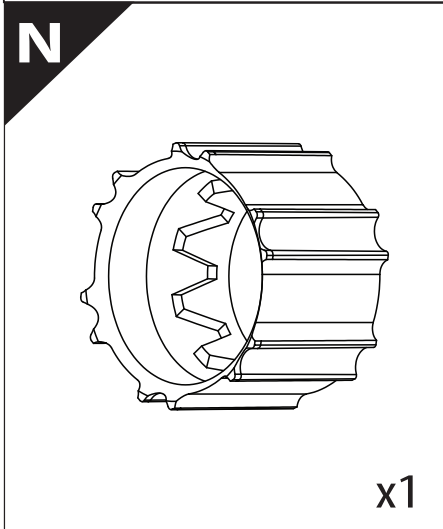
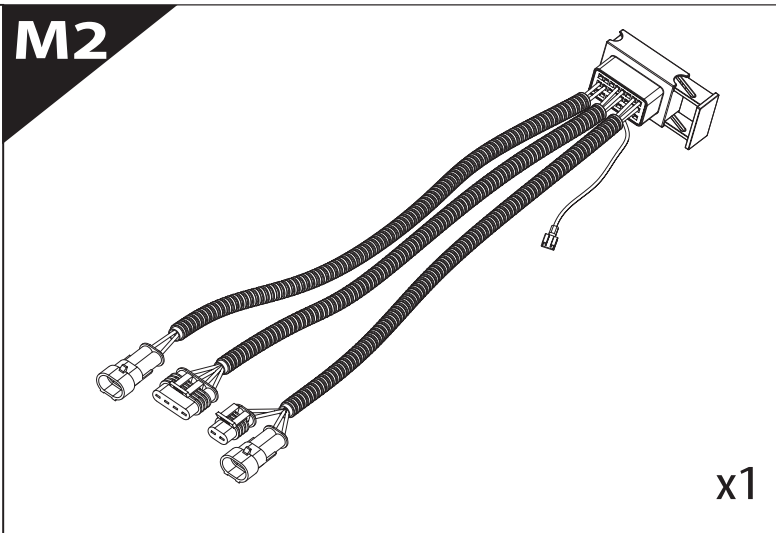
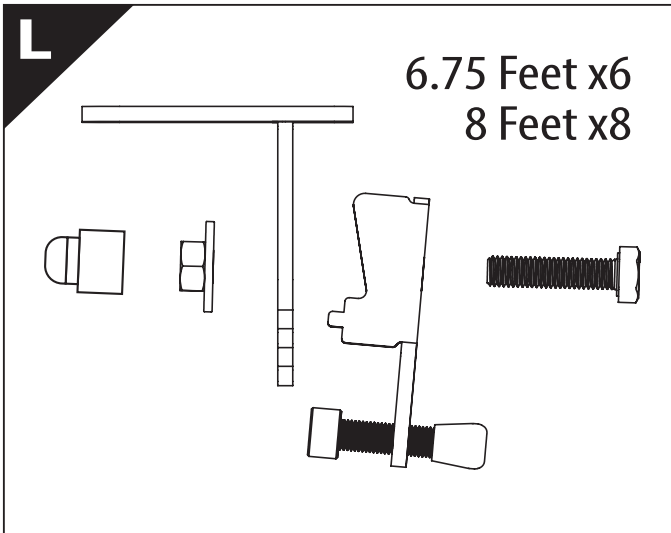
Basic Version + ⚡ E-KIT

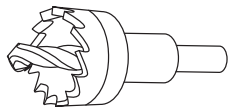


## Installation Manual

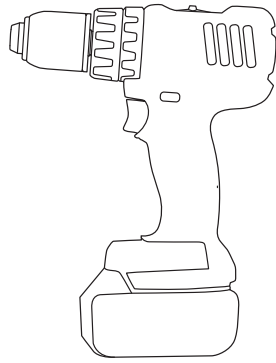
PART NUMBER(S)	Model Year
TESS 1432 ROLL+E-KIT	Ford F-250 / 350 2023+
TESS 14321 ROLL+E-KIT	
Feet	Installation Time / Weight
6.75 Feet & 8 Feet	40-60 minutes / 53-57 kg







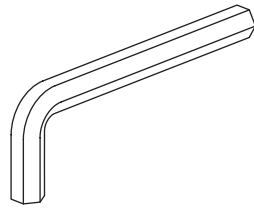
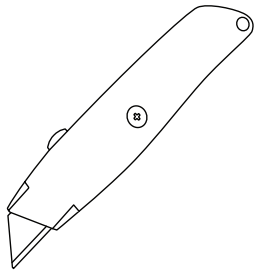
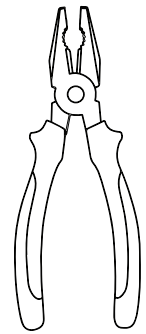
Ø 25 mm



+

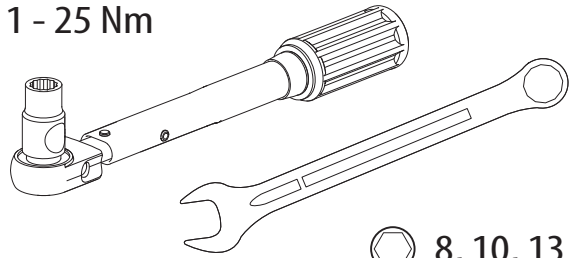


-



4 mm

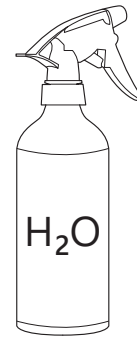
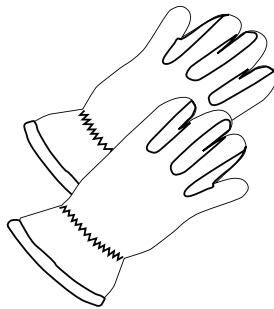
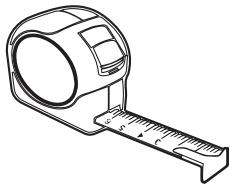
1 - 25 Nm



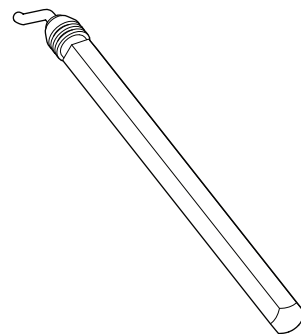
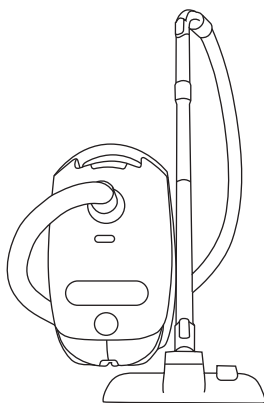
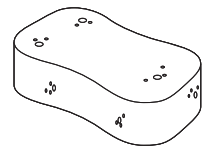
8, 10, 13 mm



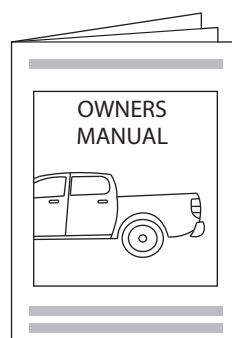
ACETONE



H<sub>2</sub>O



INSTALATION  
MANUAL  
+E-KIT

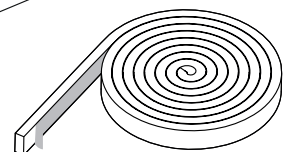
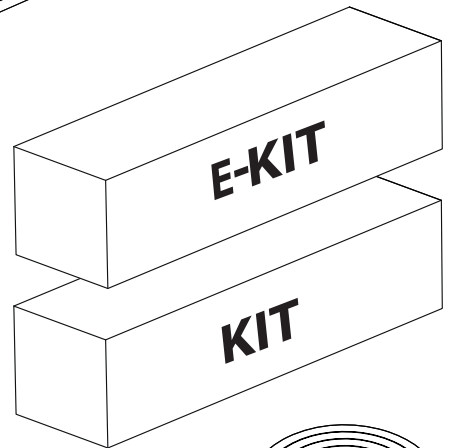
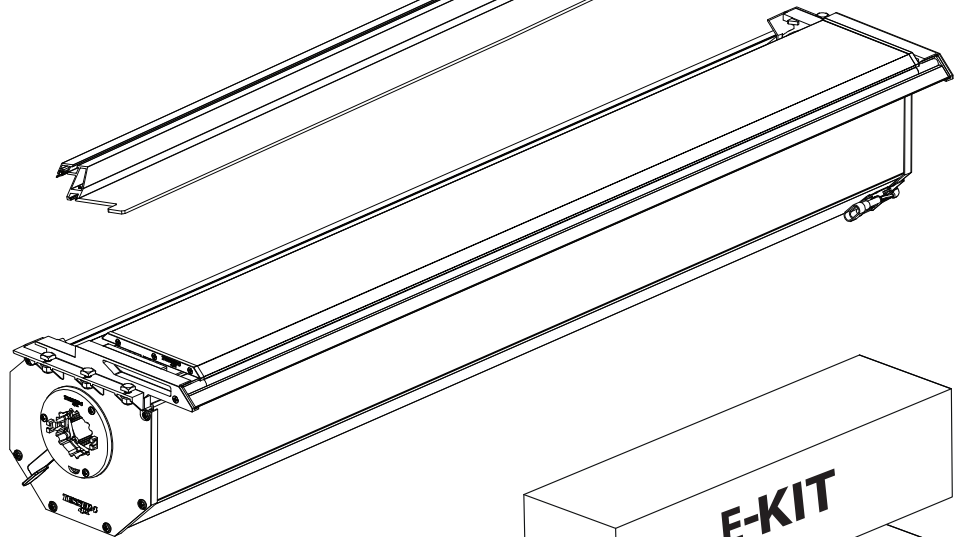
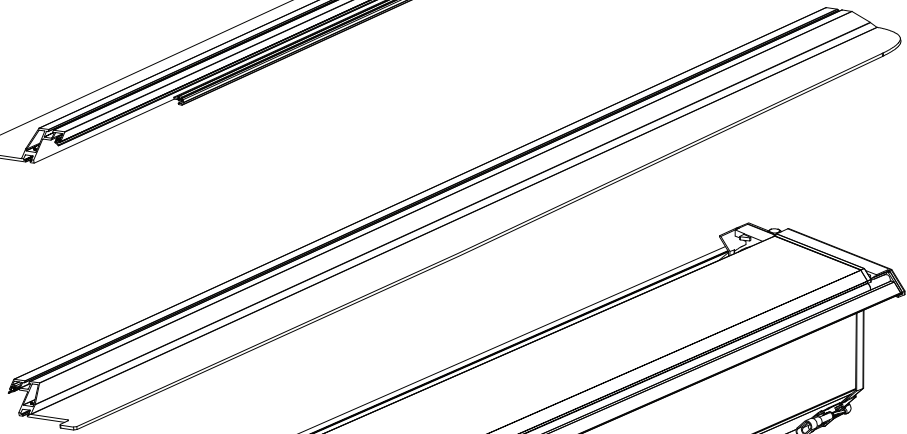
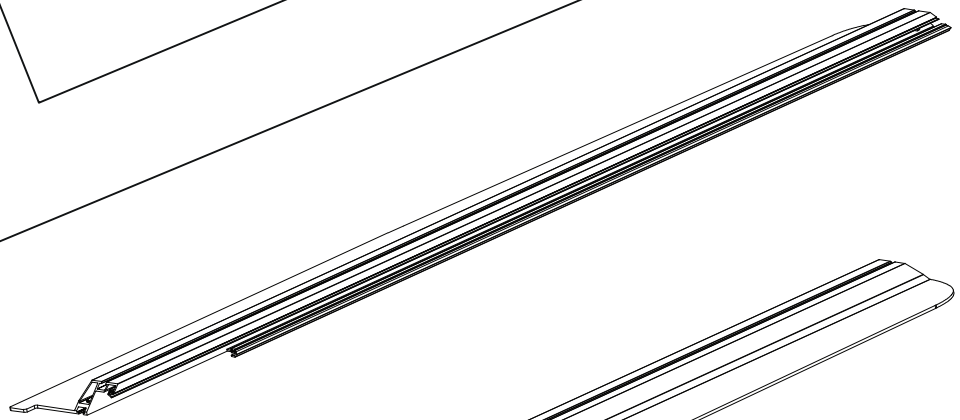
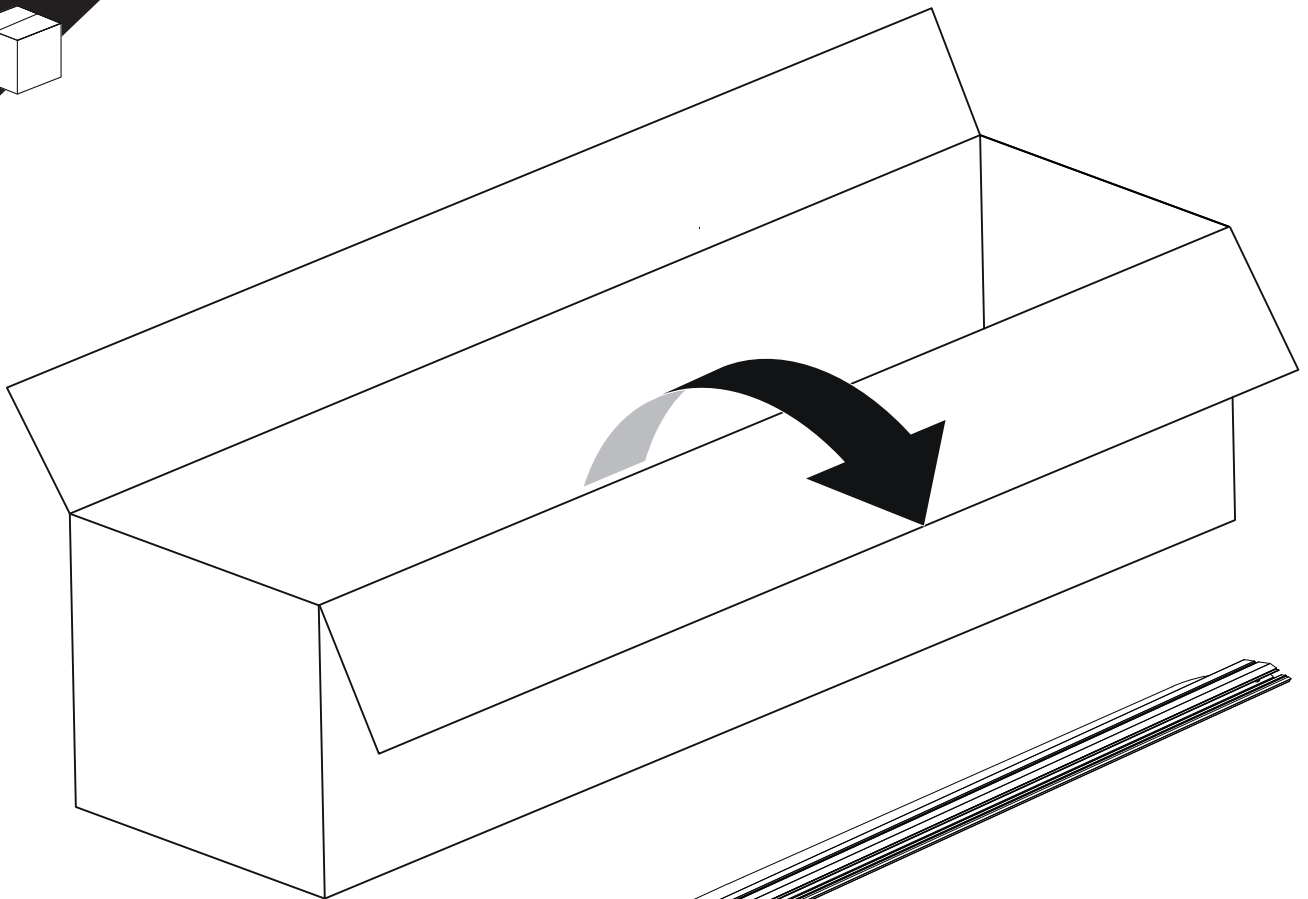


OWNERS  
MANUAL



x1



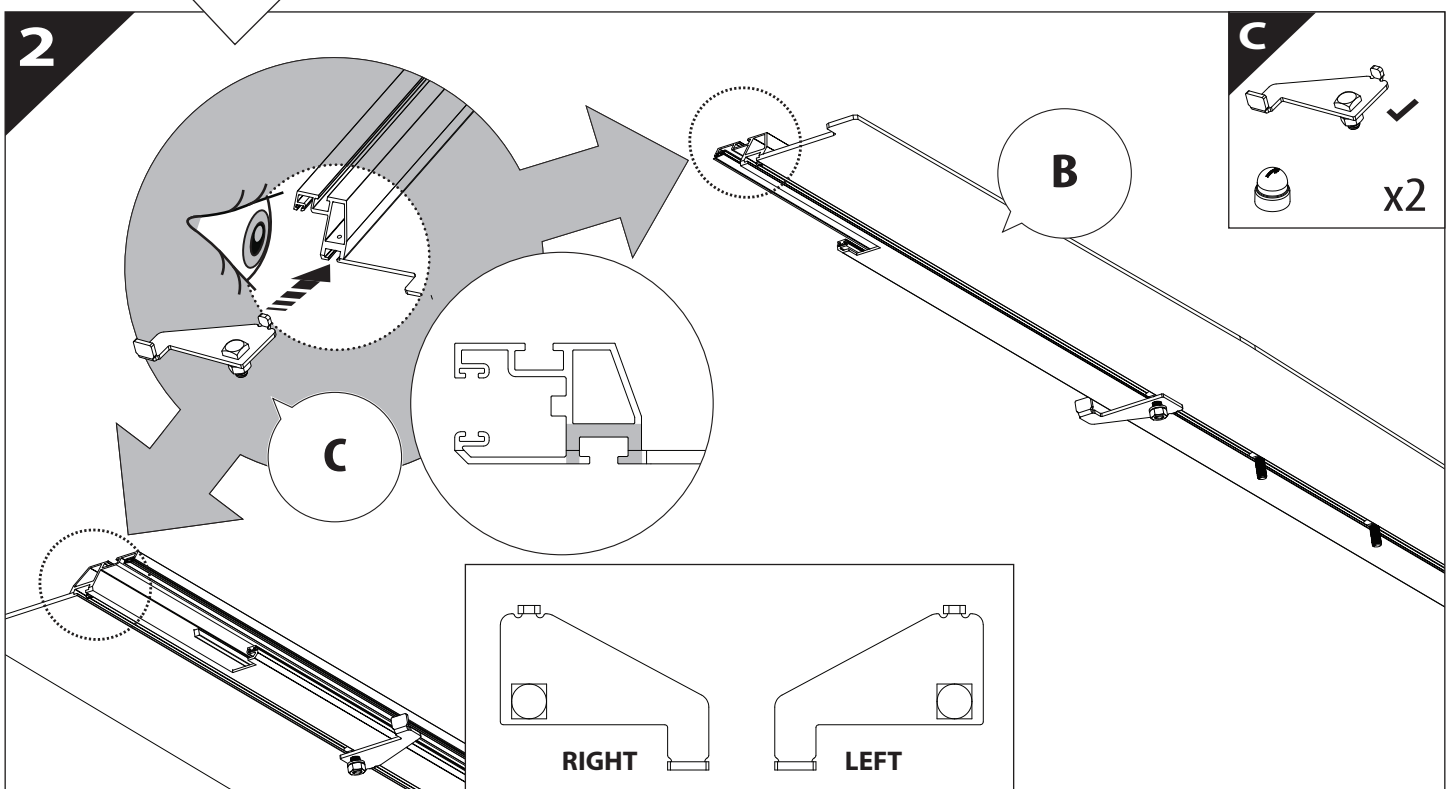
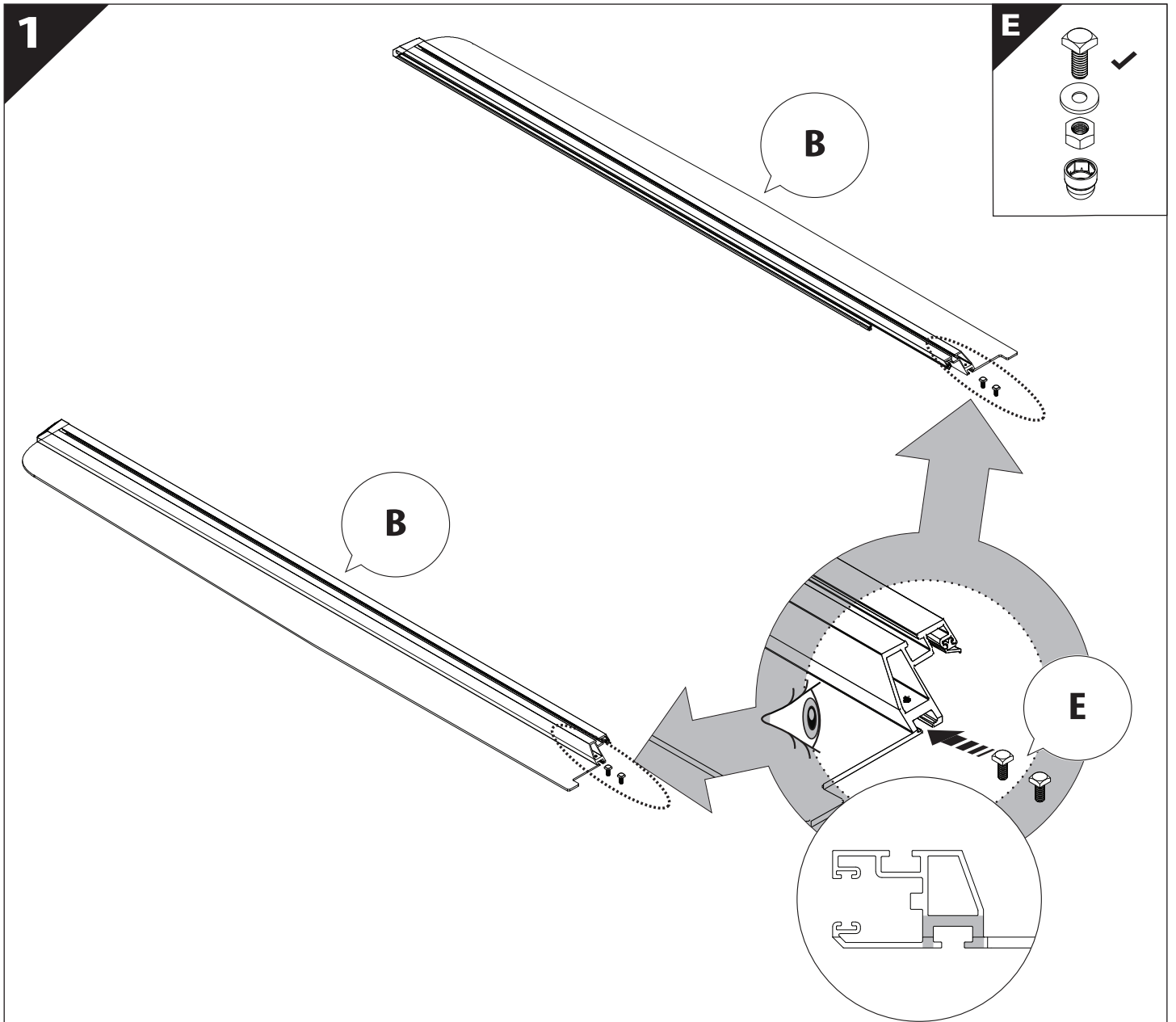


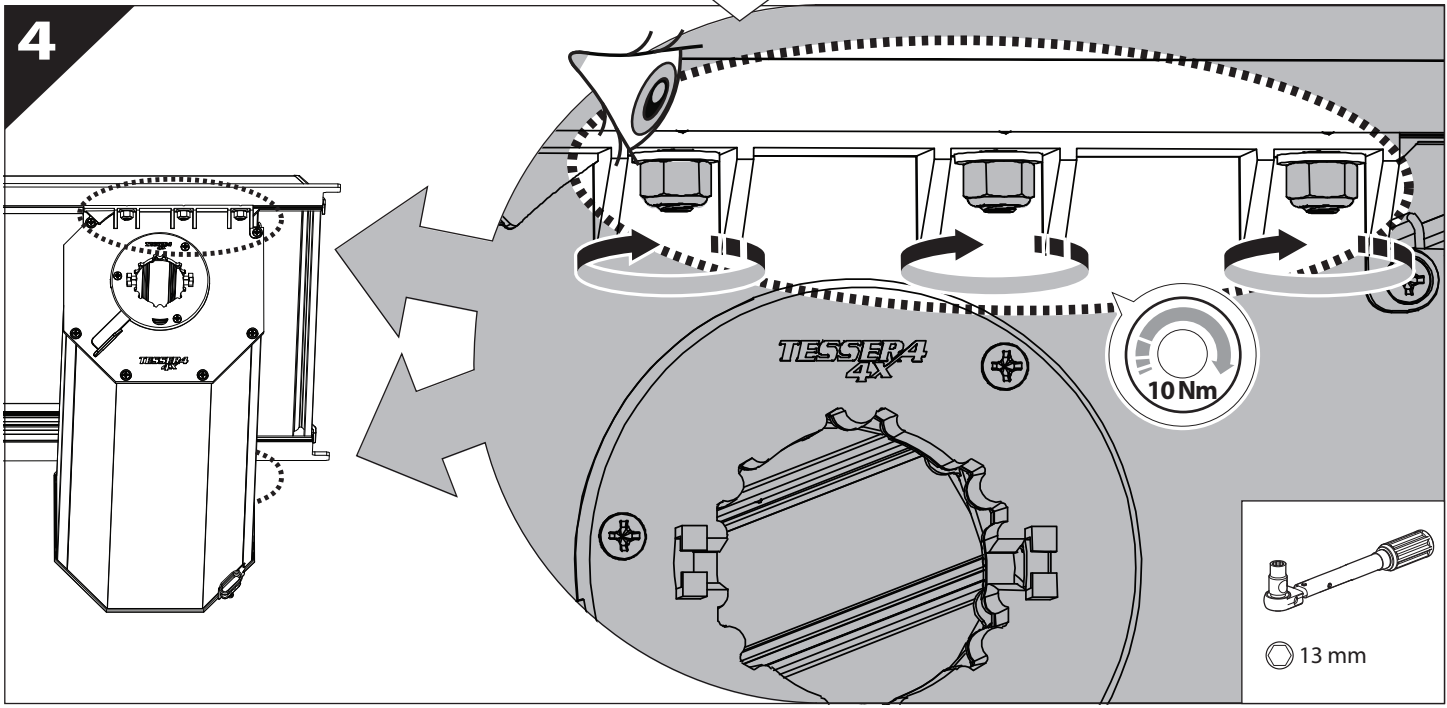
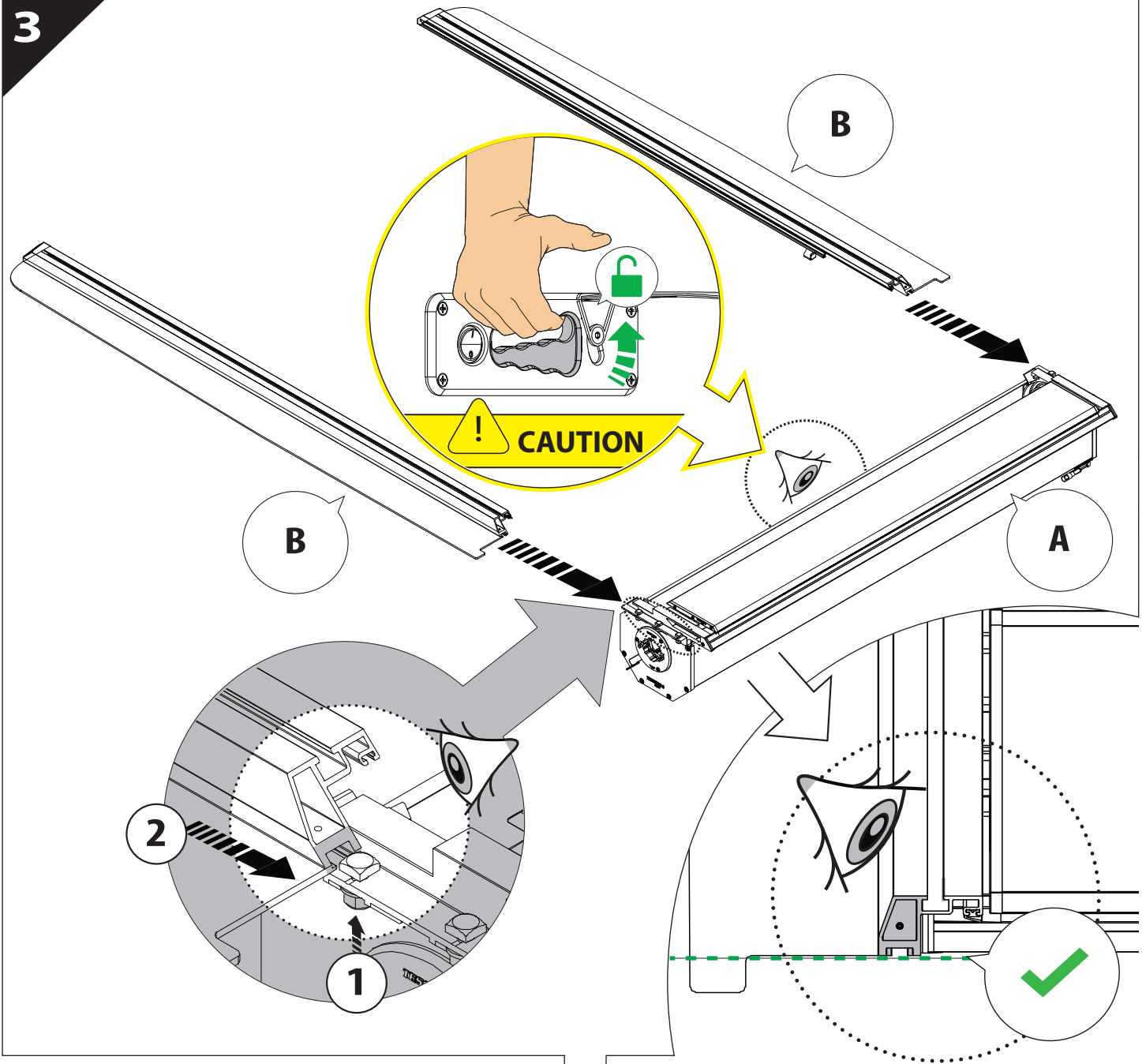
**B**

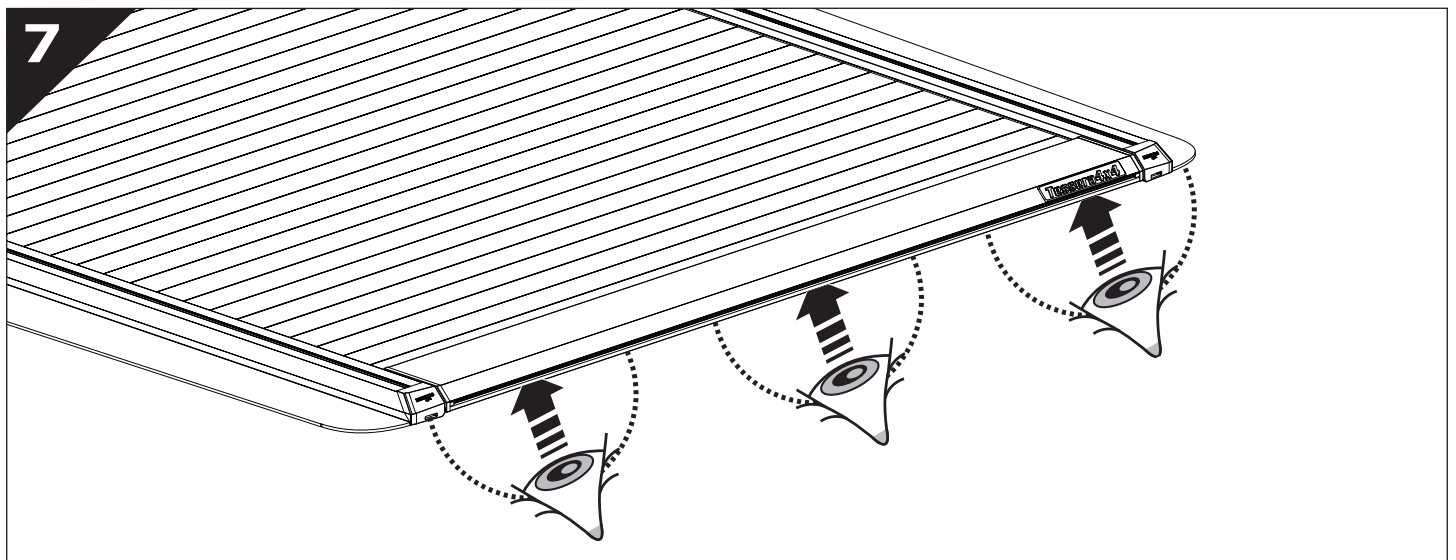
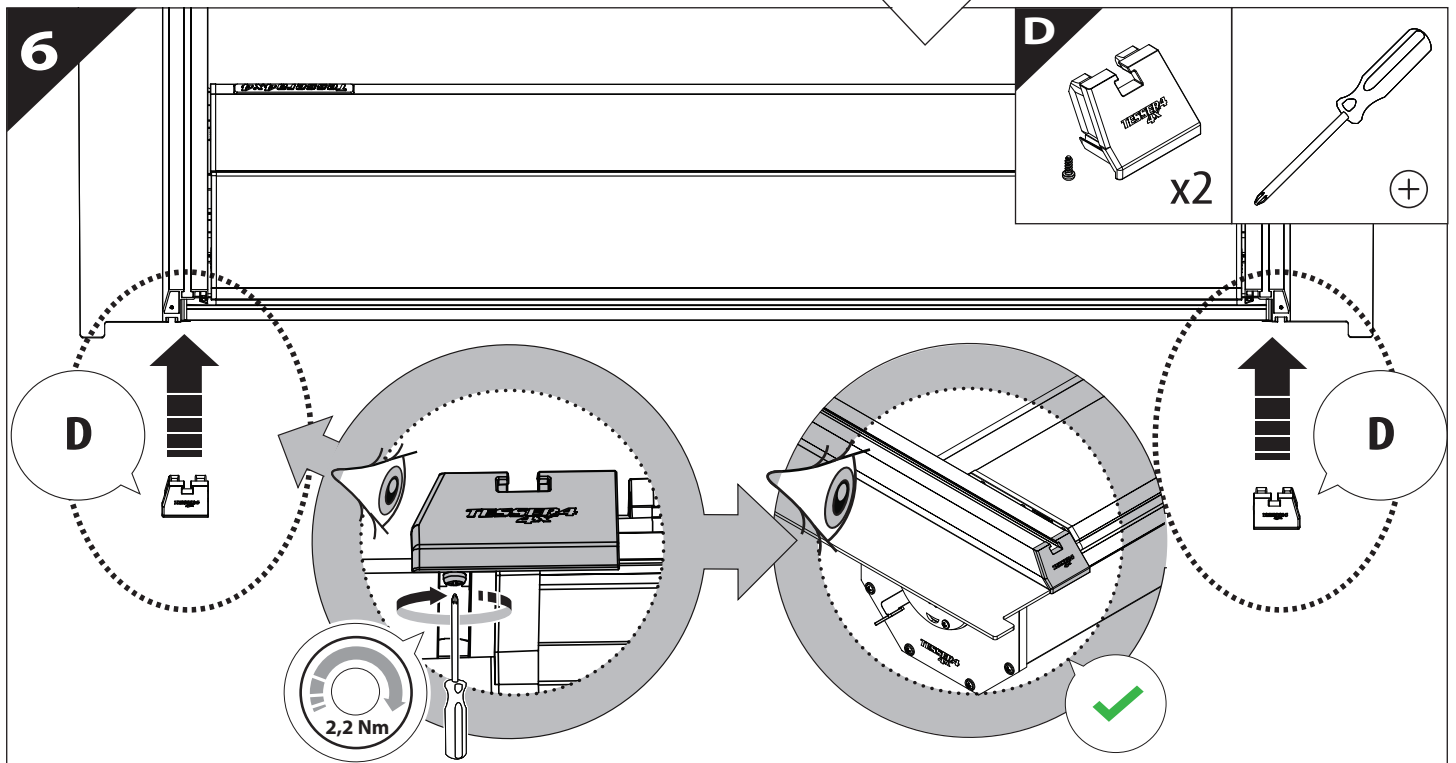
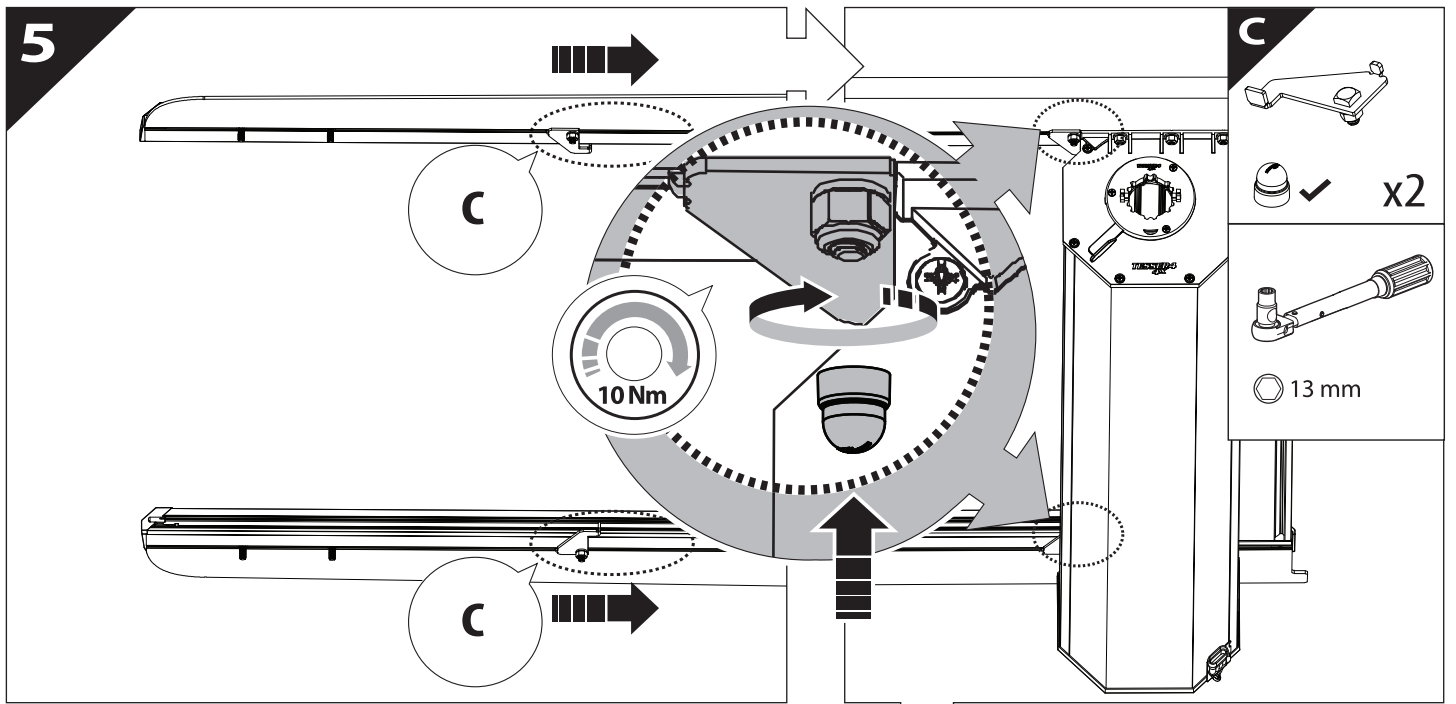
**A**

**KITS**

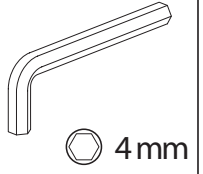
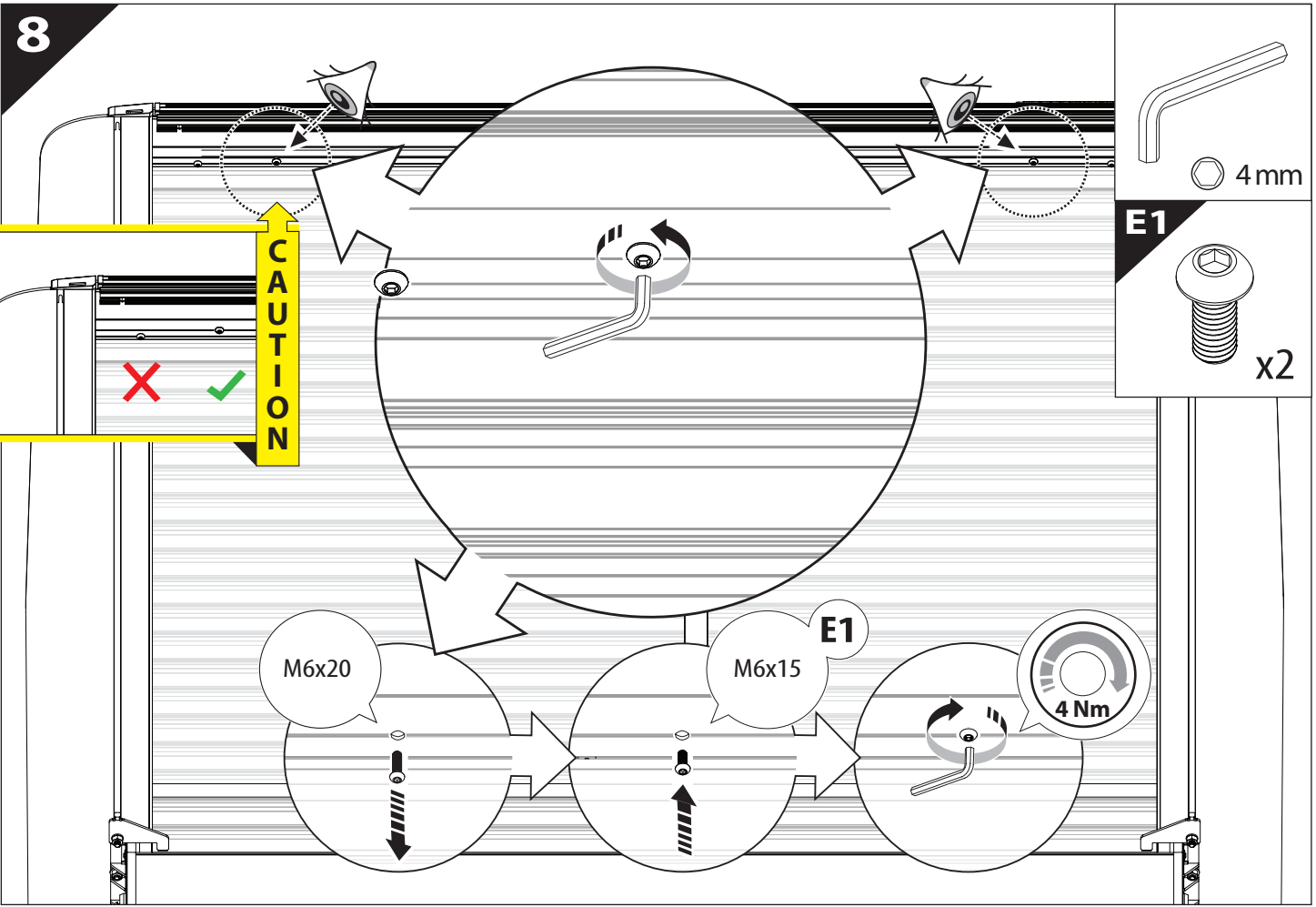
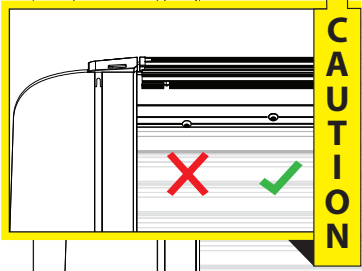
**G**







8



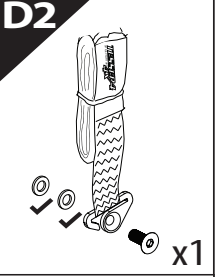
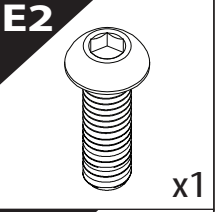
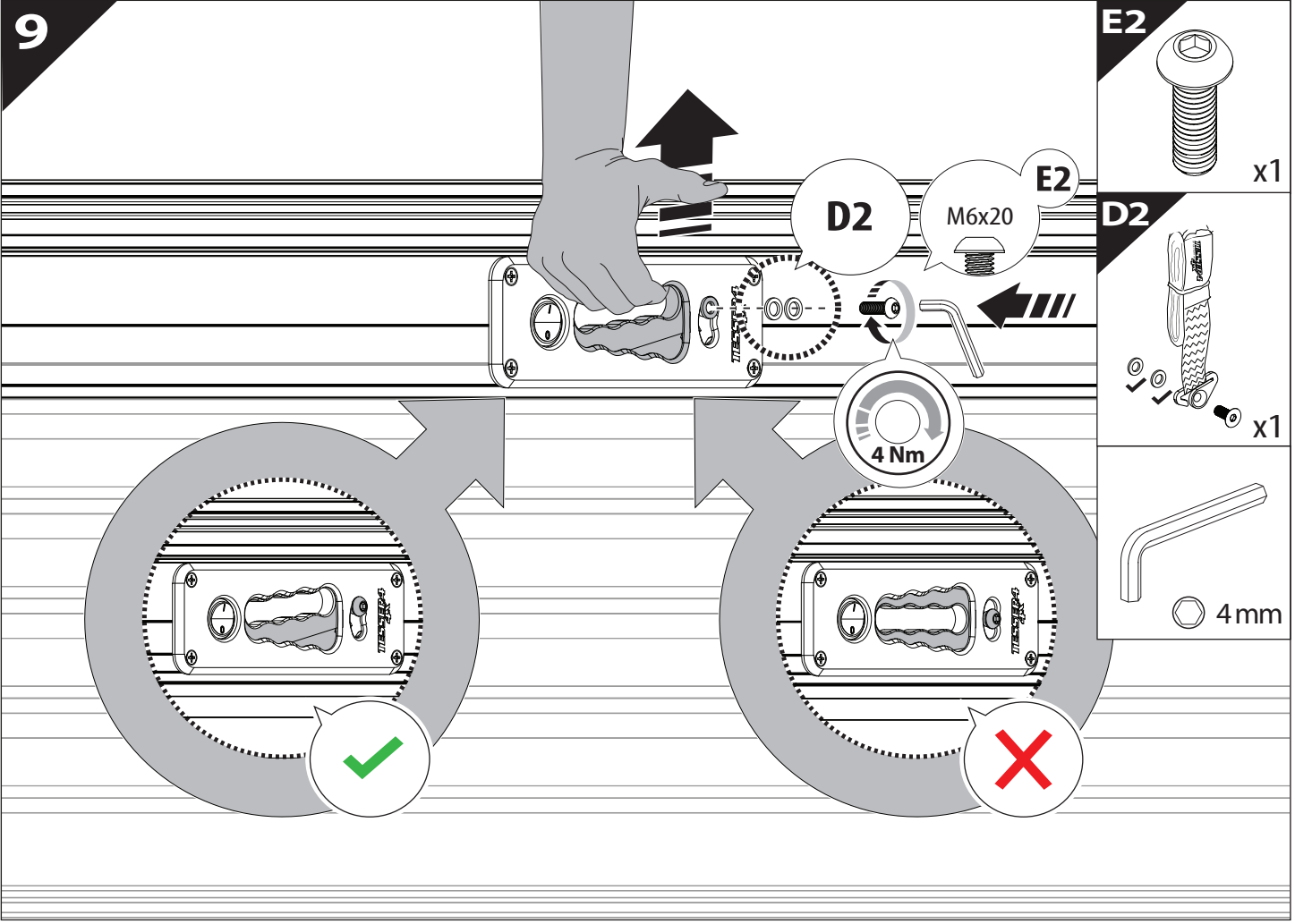
M6x20

M6x15

**E1**

4 Nm

9

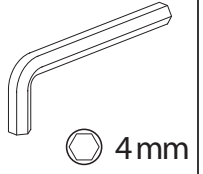


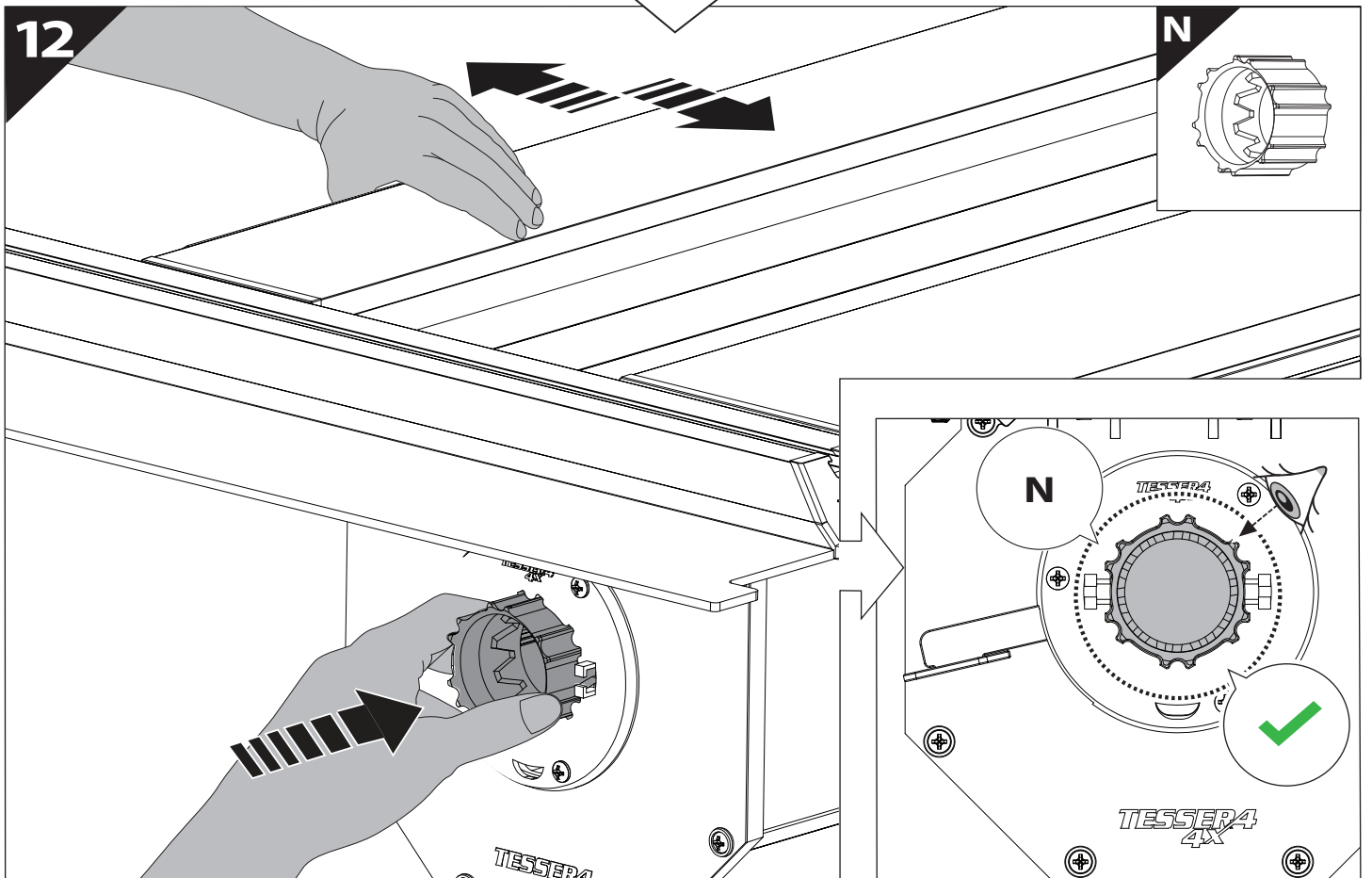
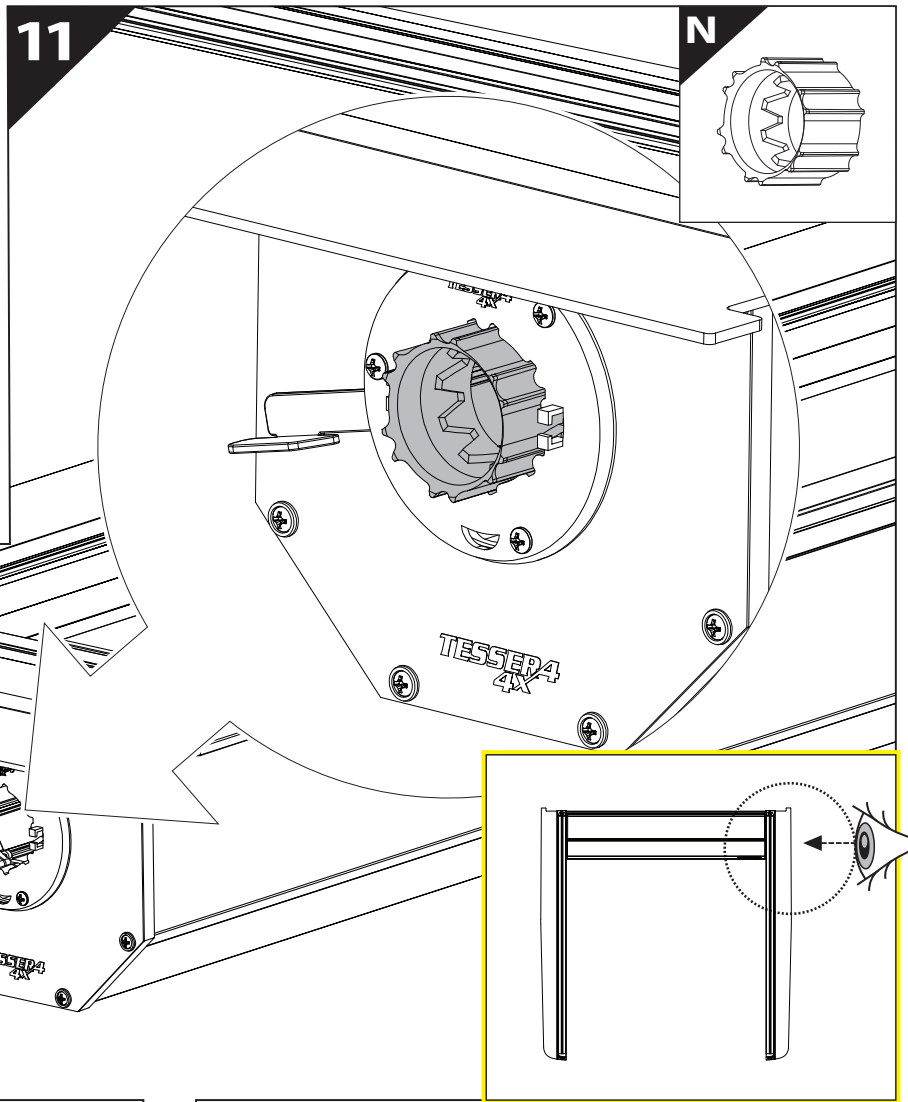
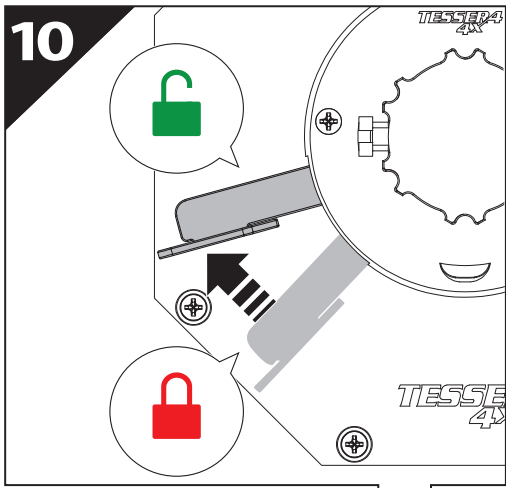
**D2**

M6x20

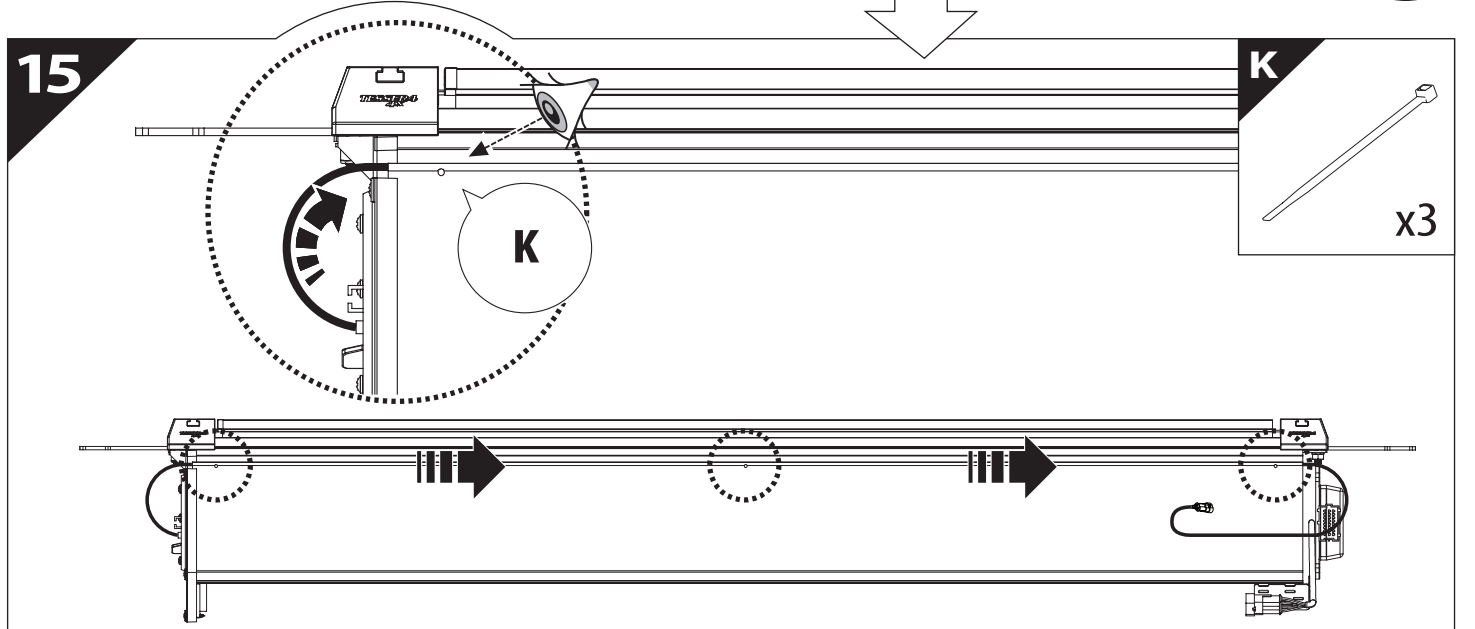
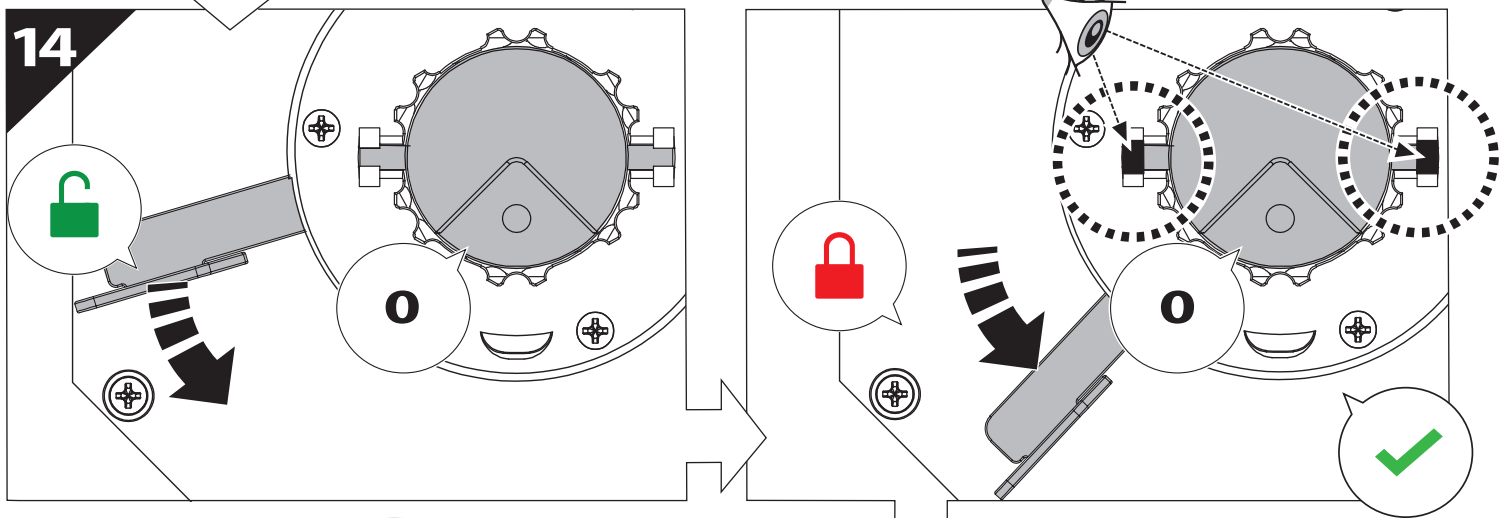
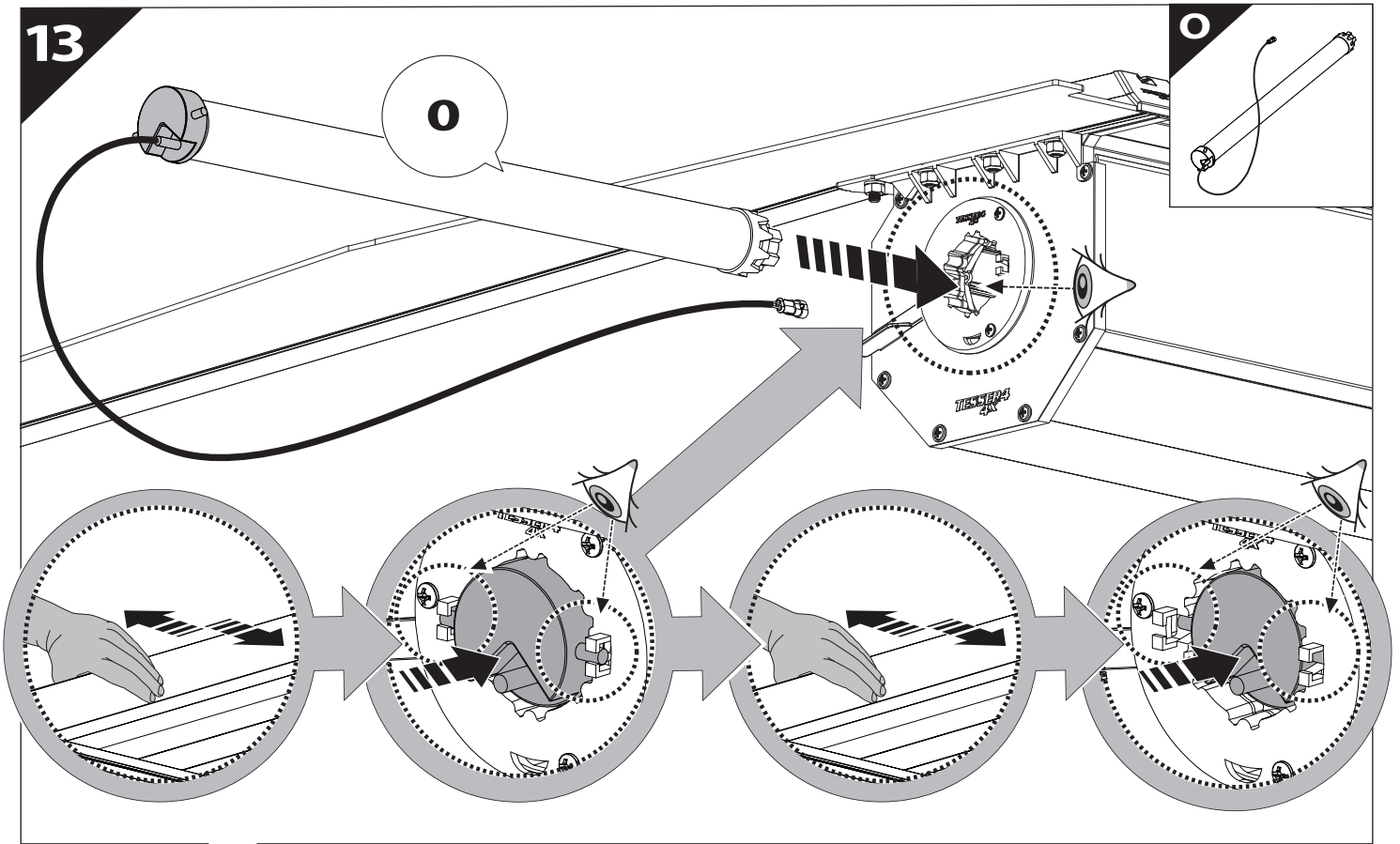
**E2**

4 Nm

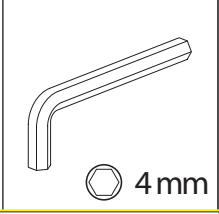
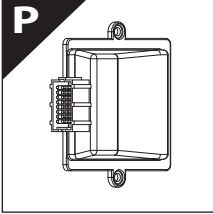






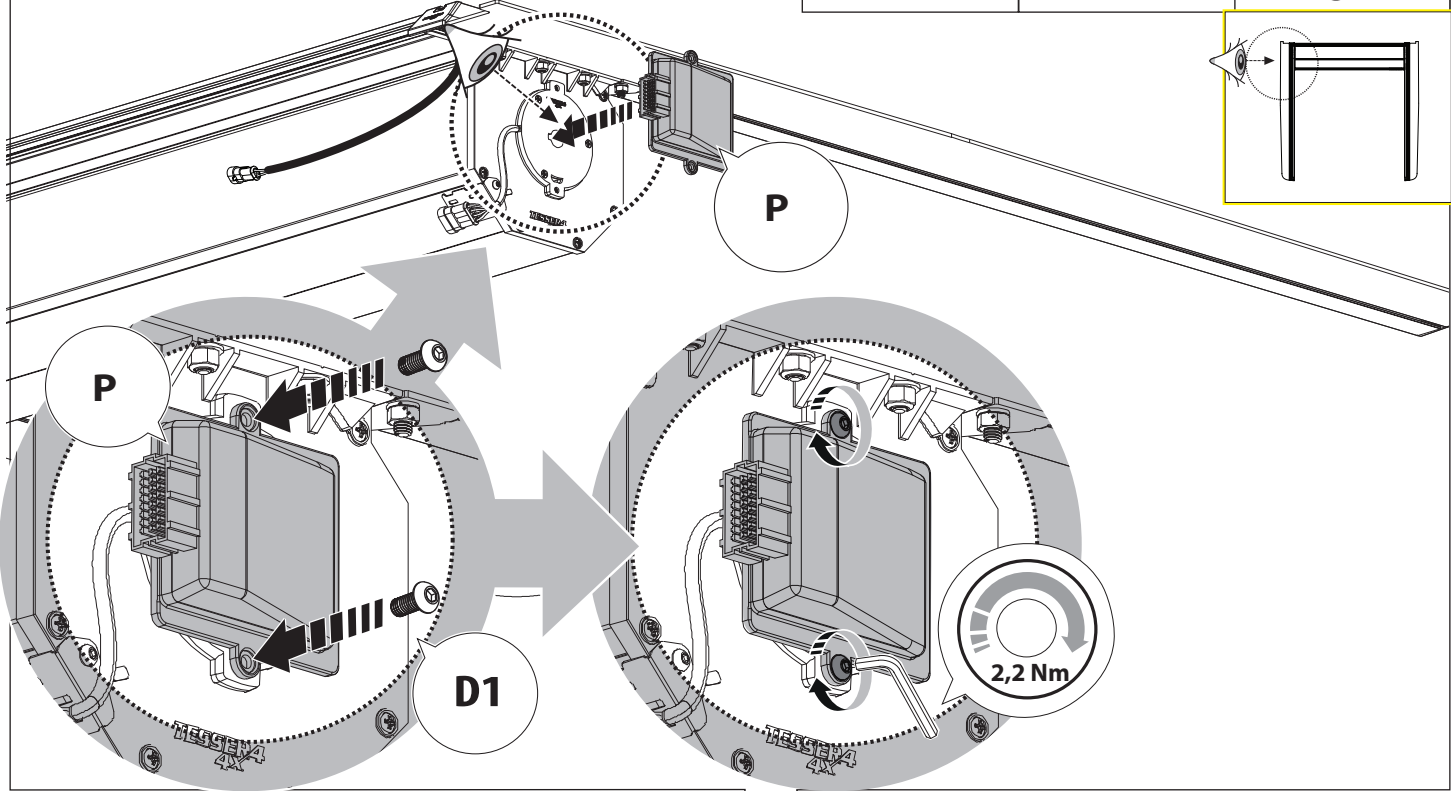
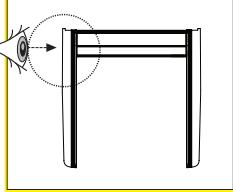


16

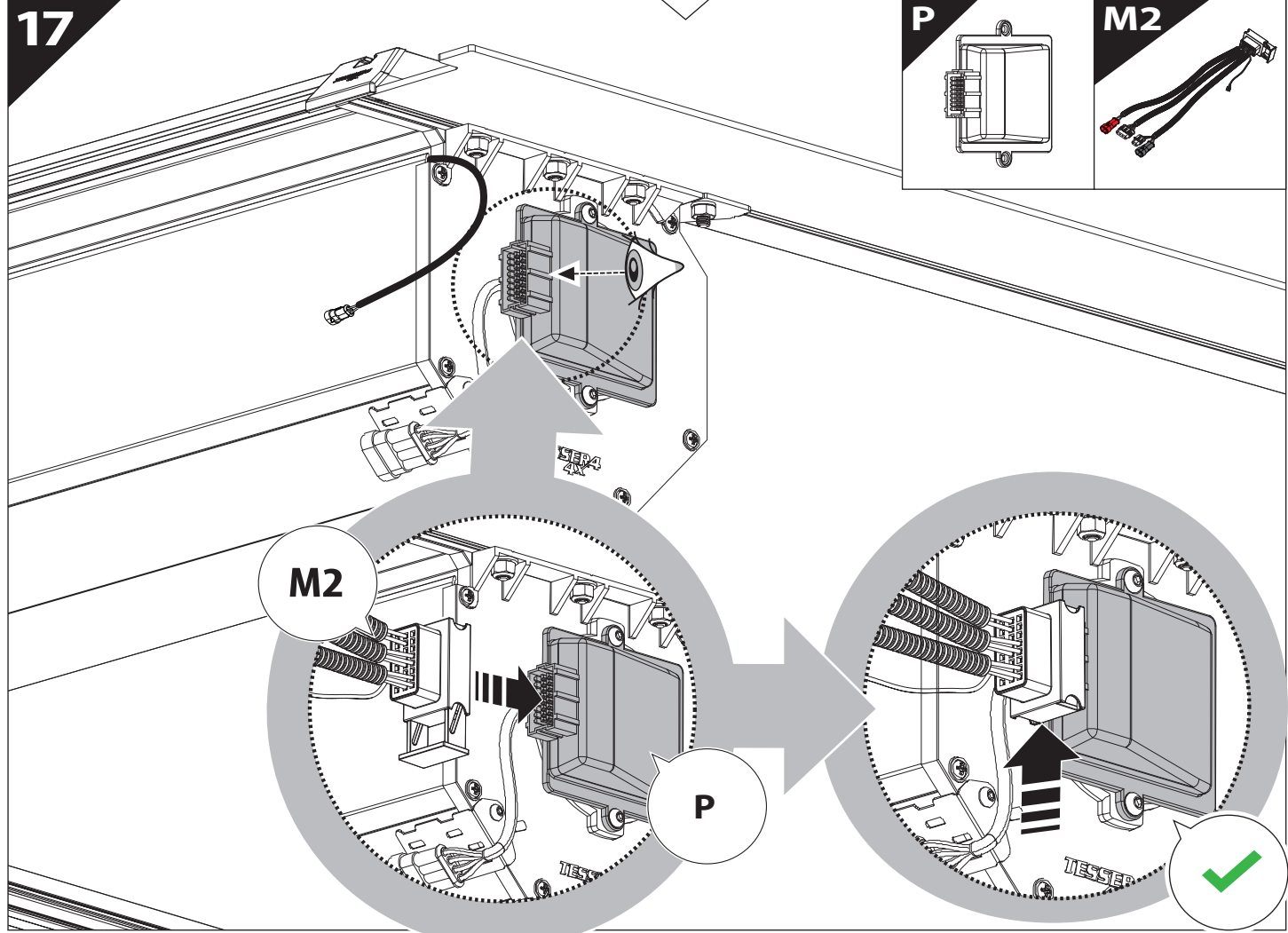
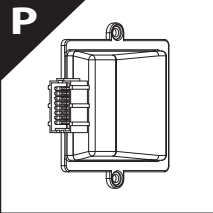


x2

4mm

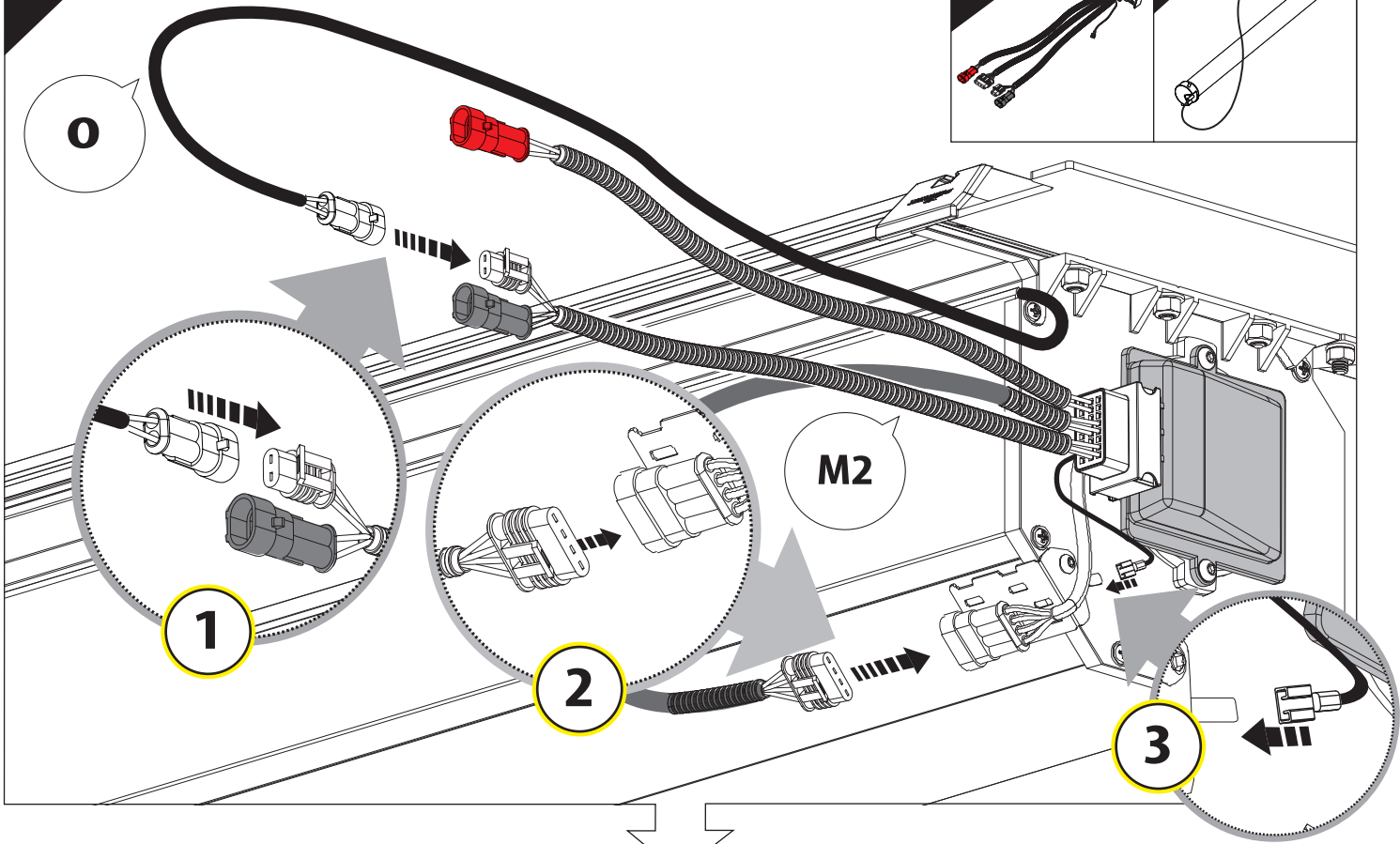
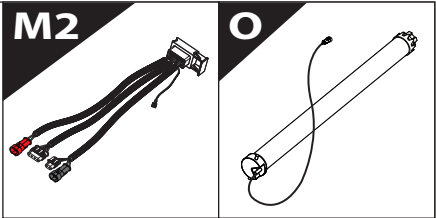


17

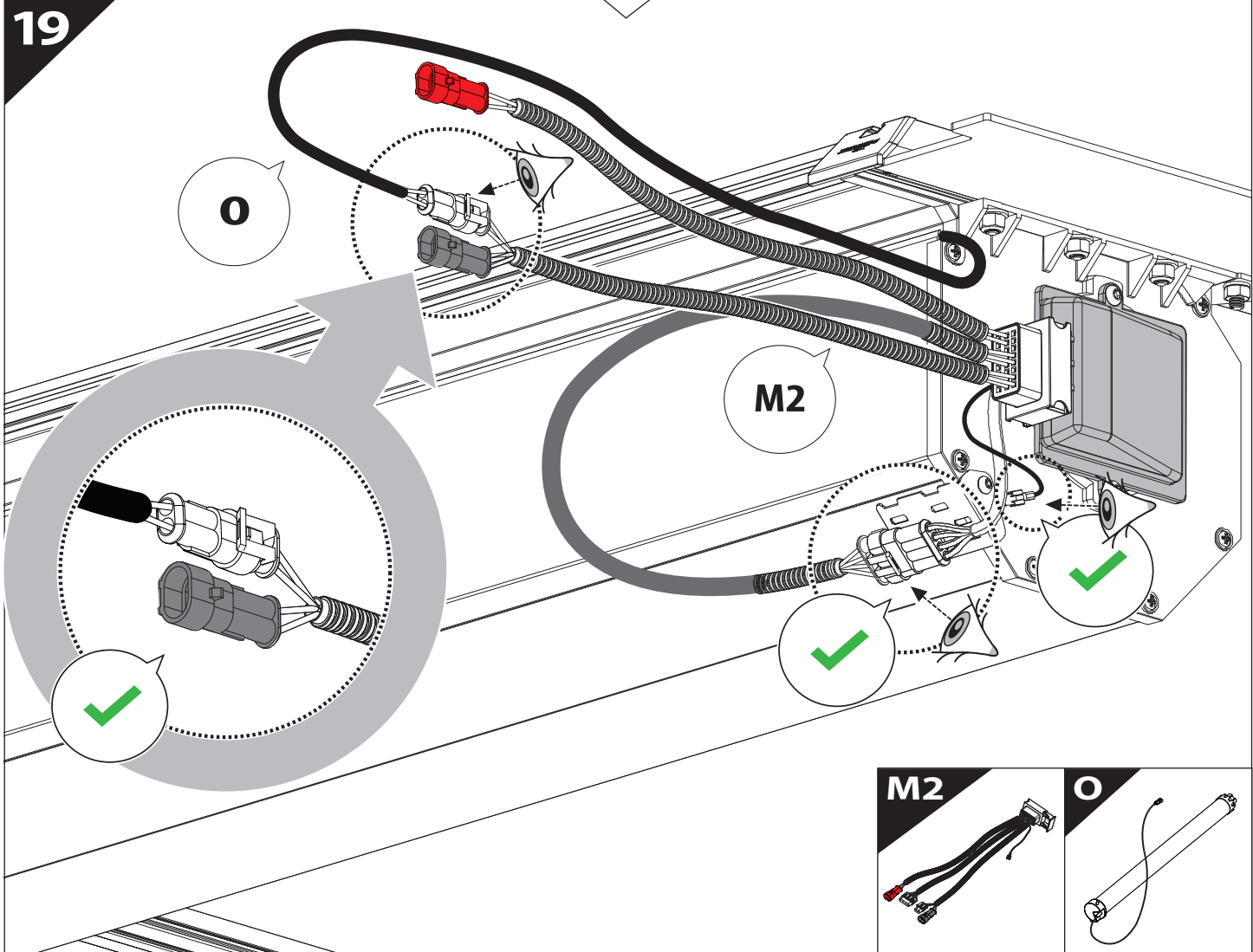
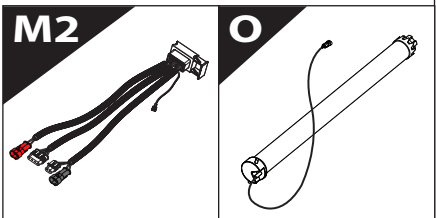


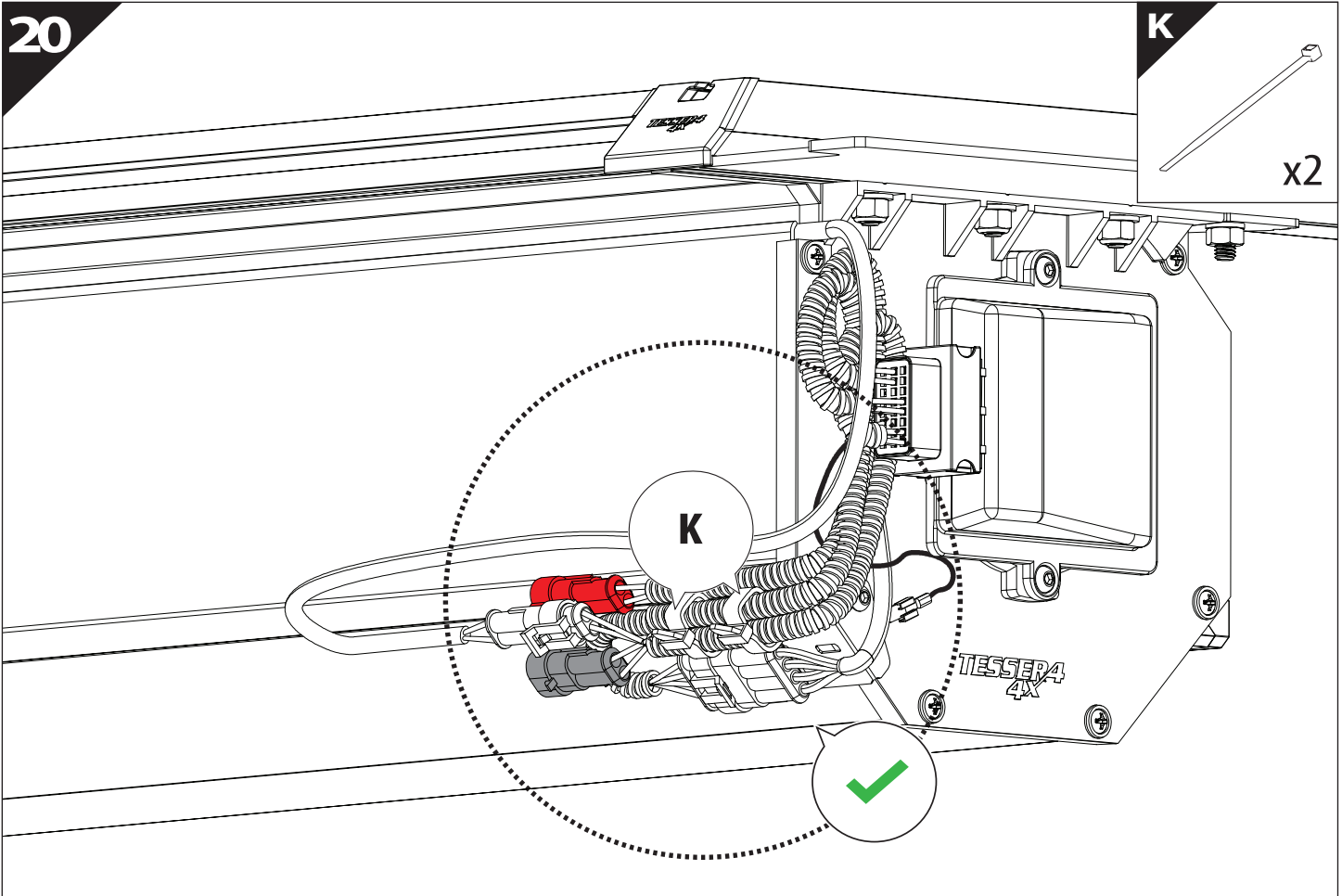


18

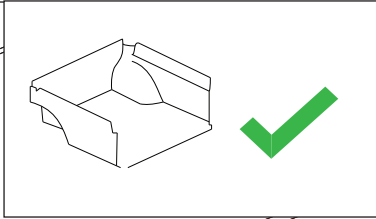


19

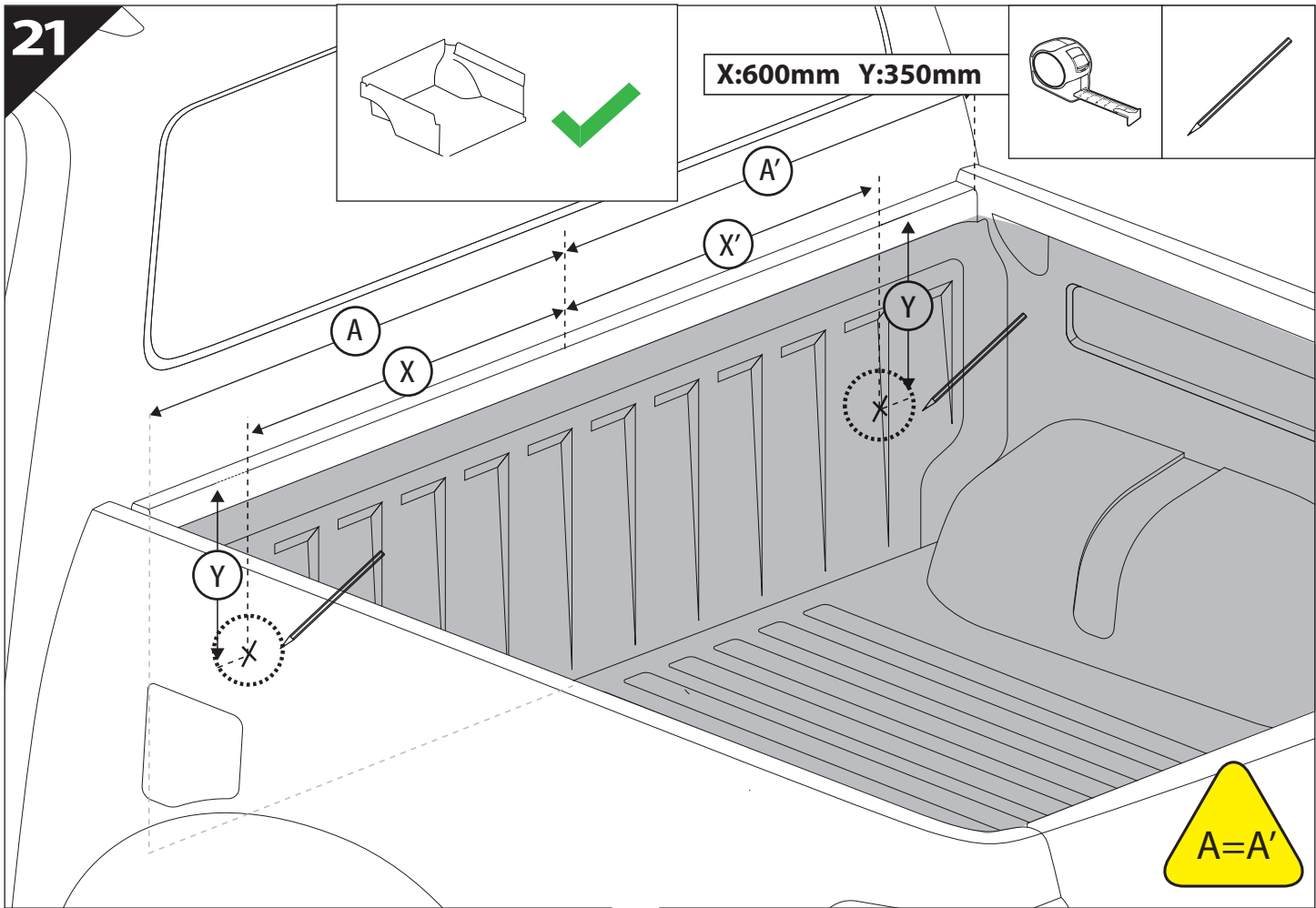
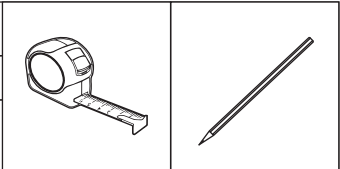




21

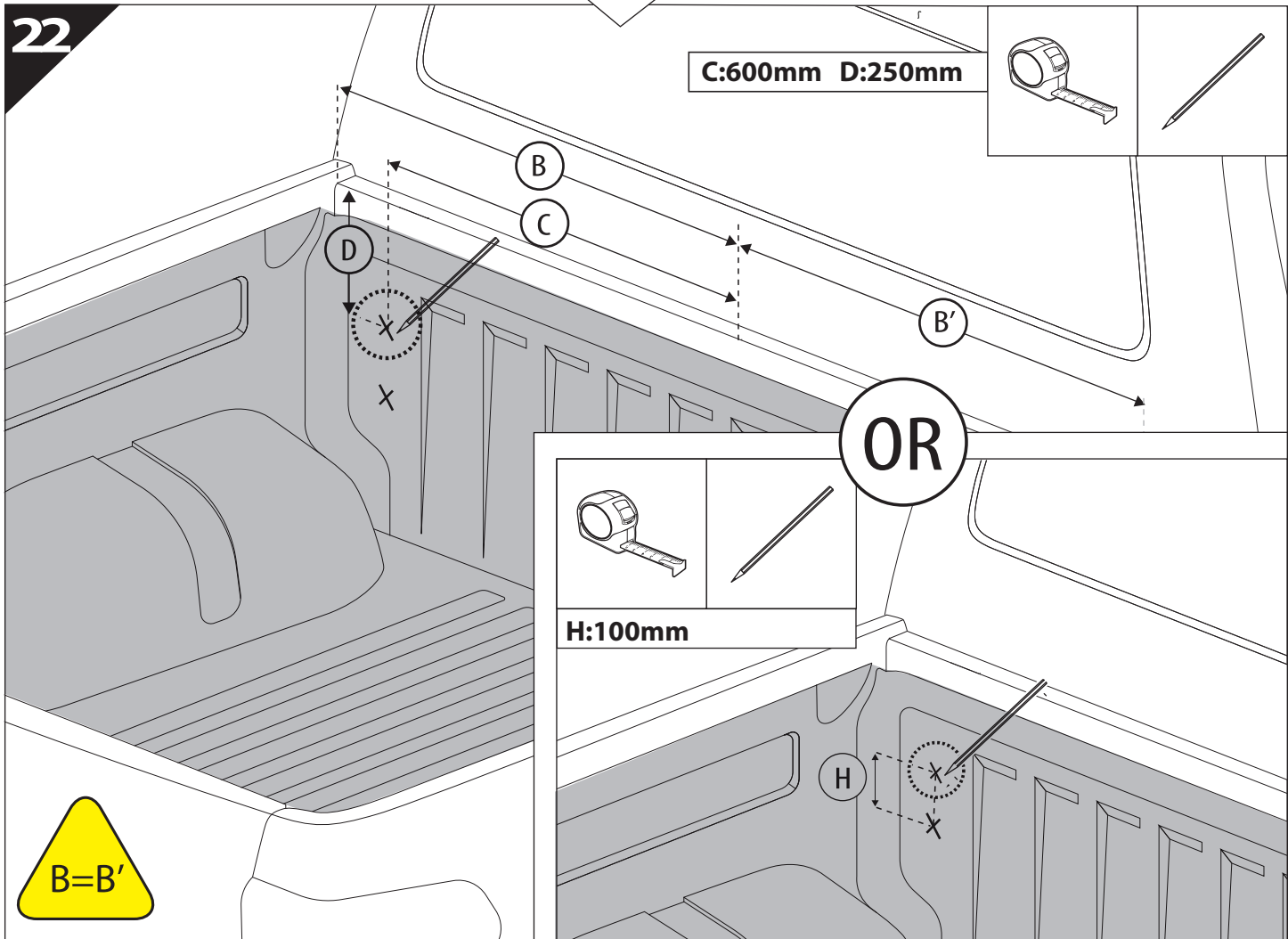
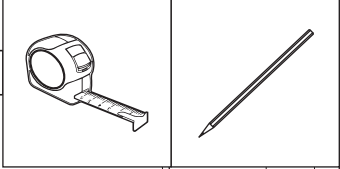


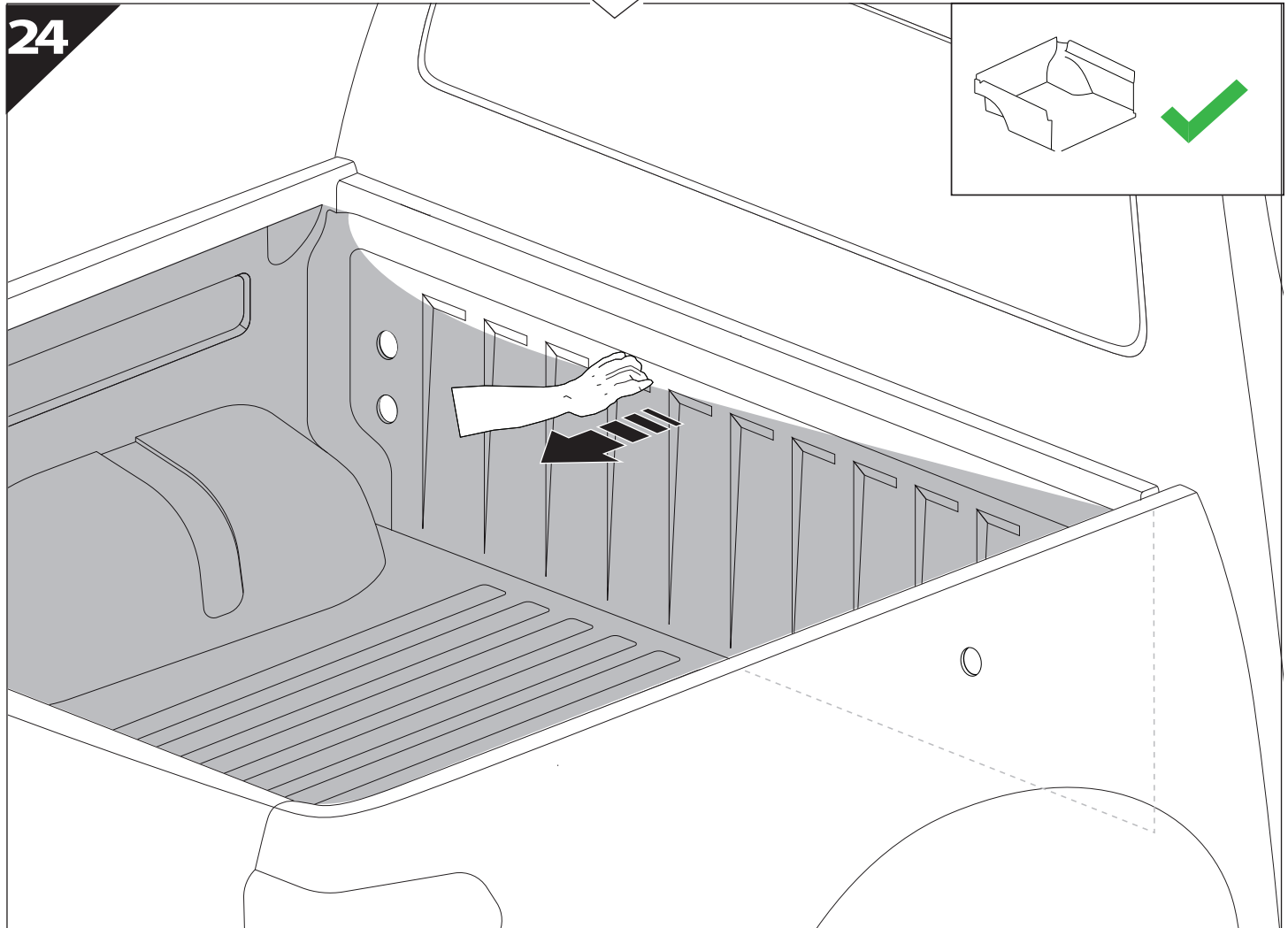
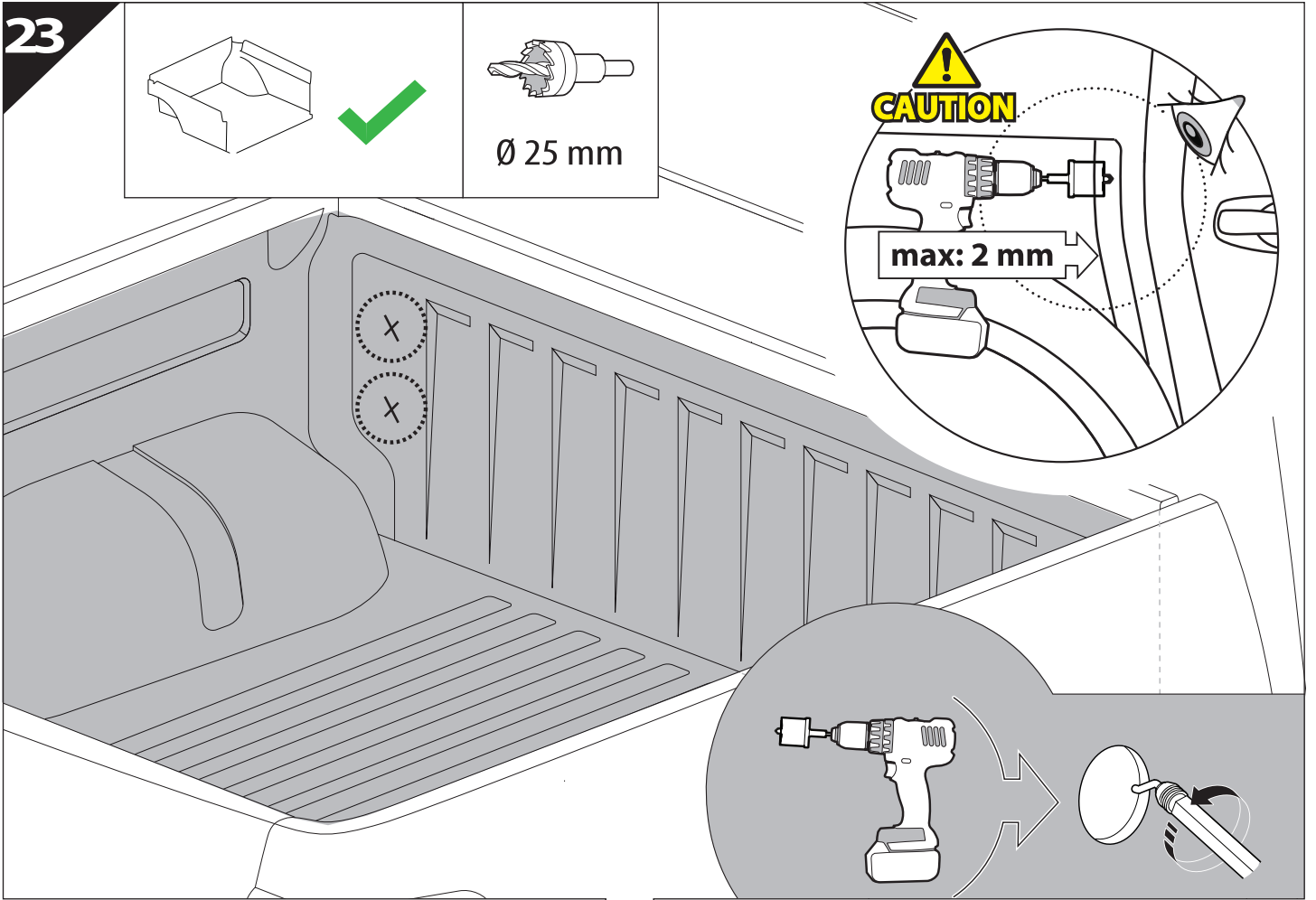
X:600mm Y:350mm



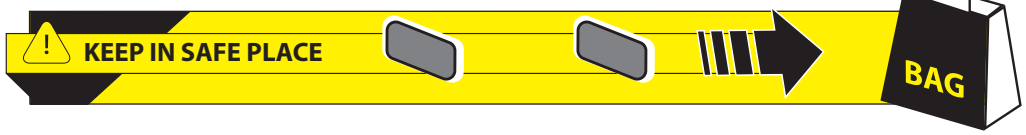
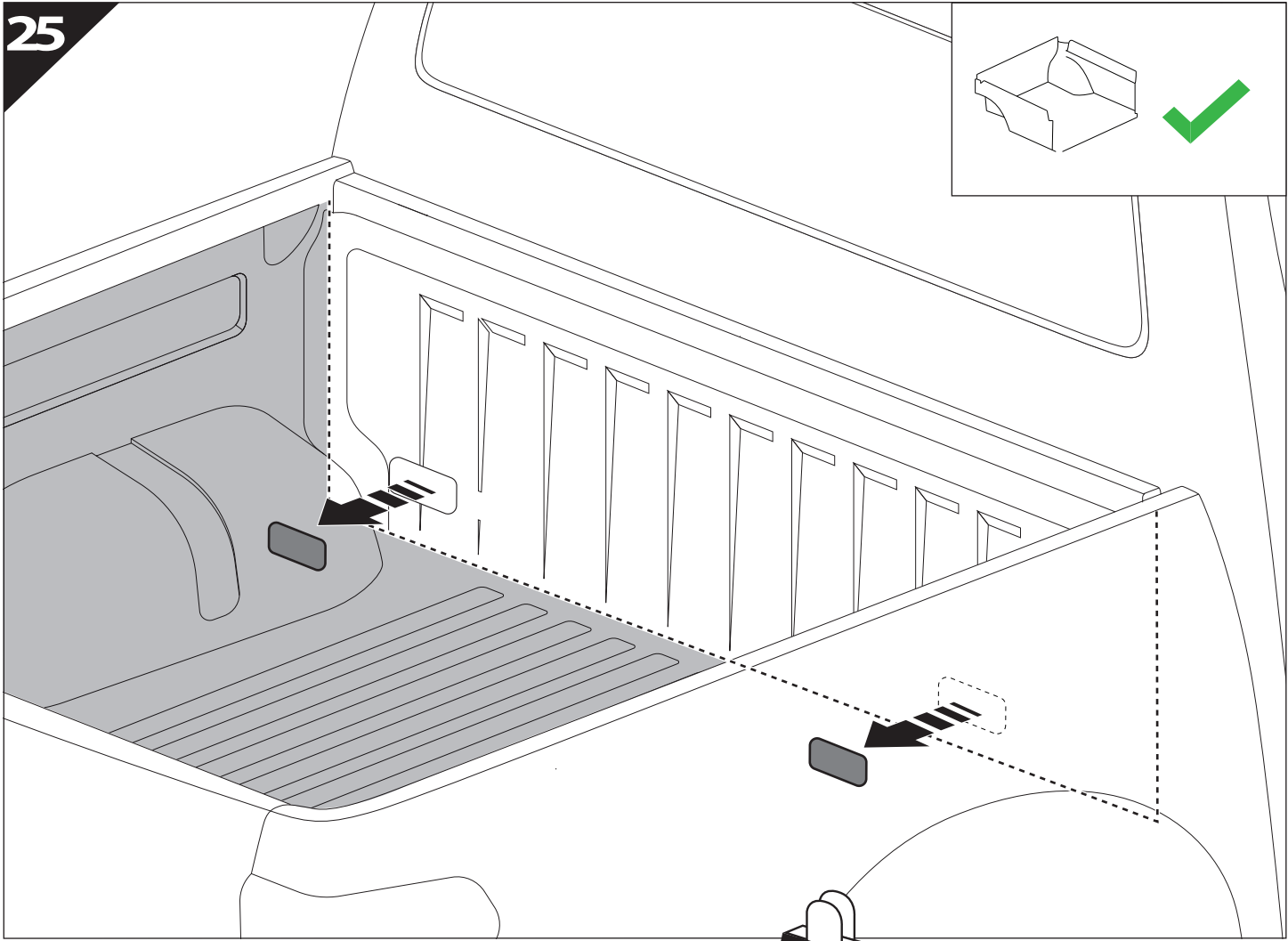
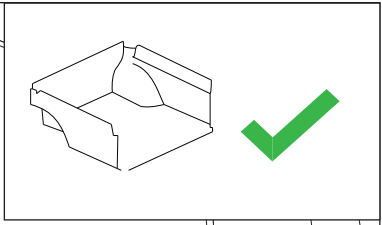
22

C:600mm D:250mm



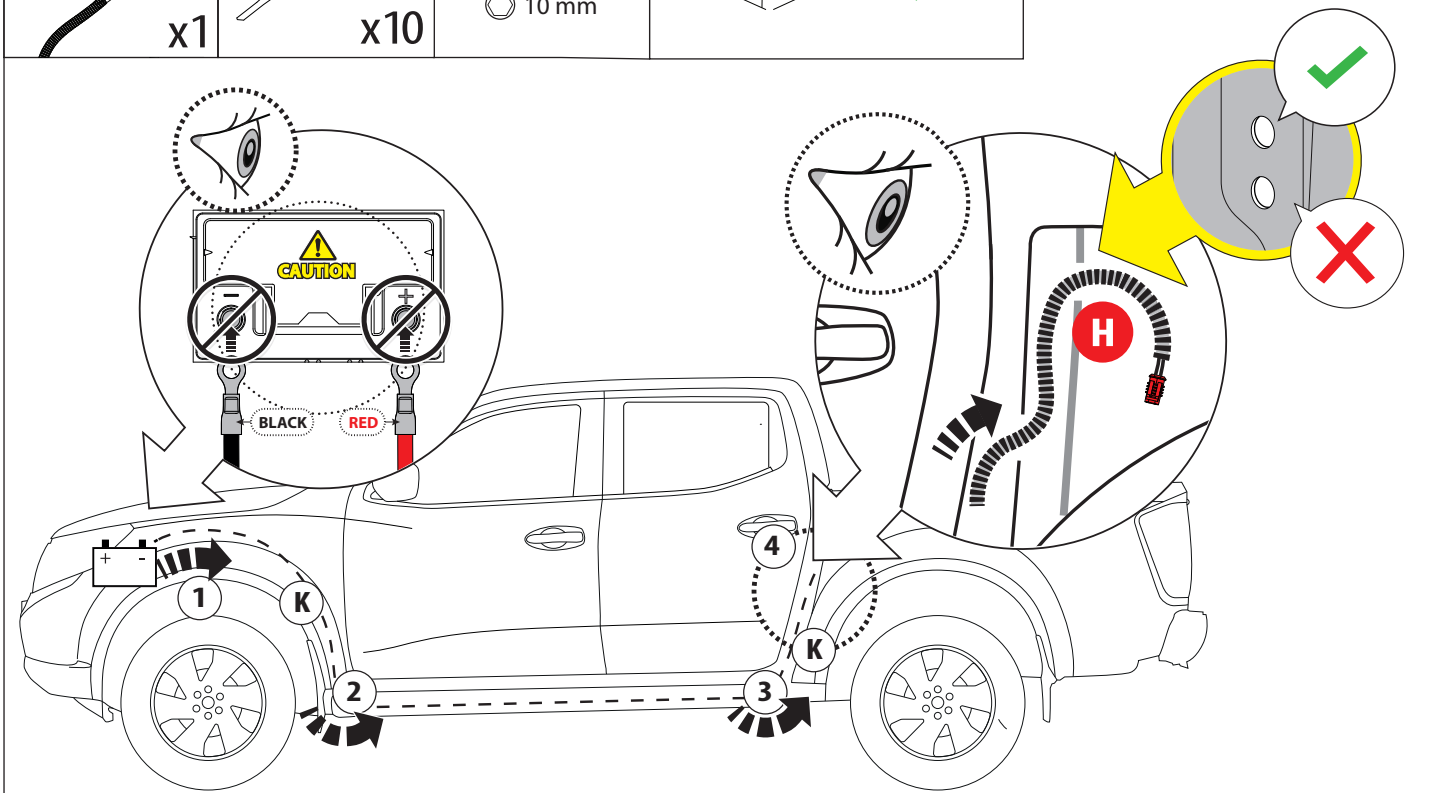
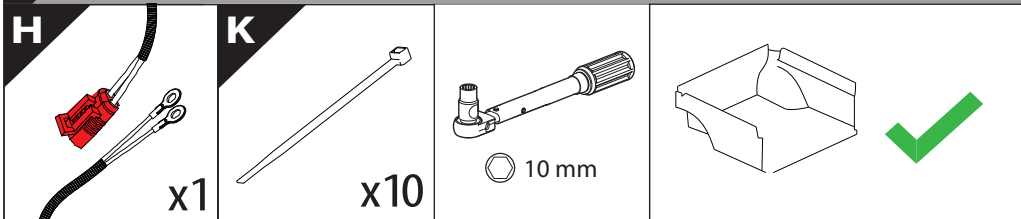


25

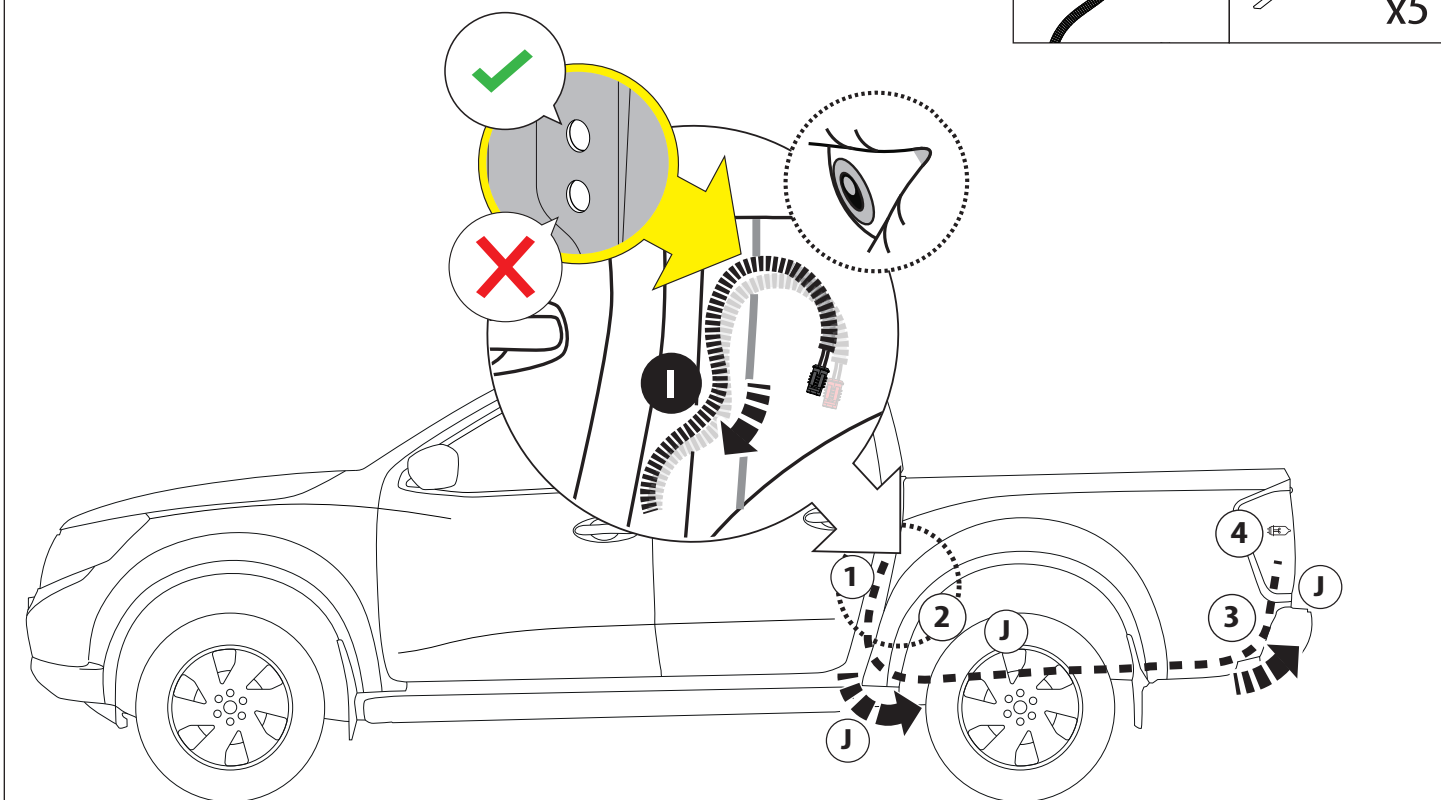
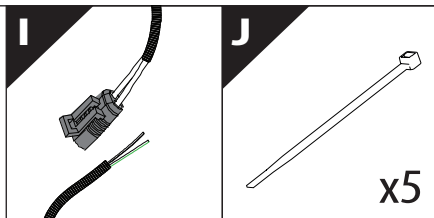


26

Only to be installed by authorized personnel

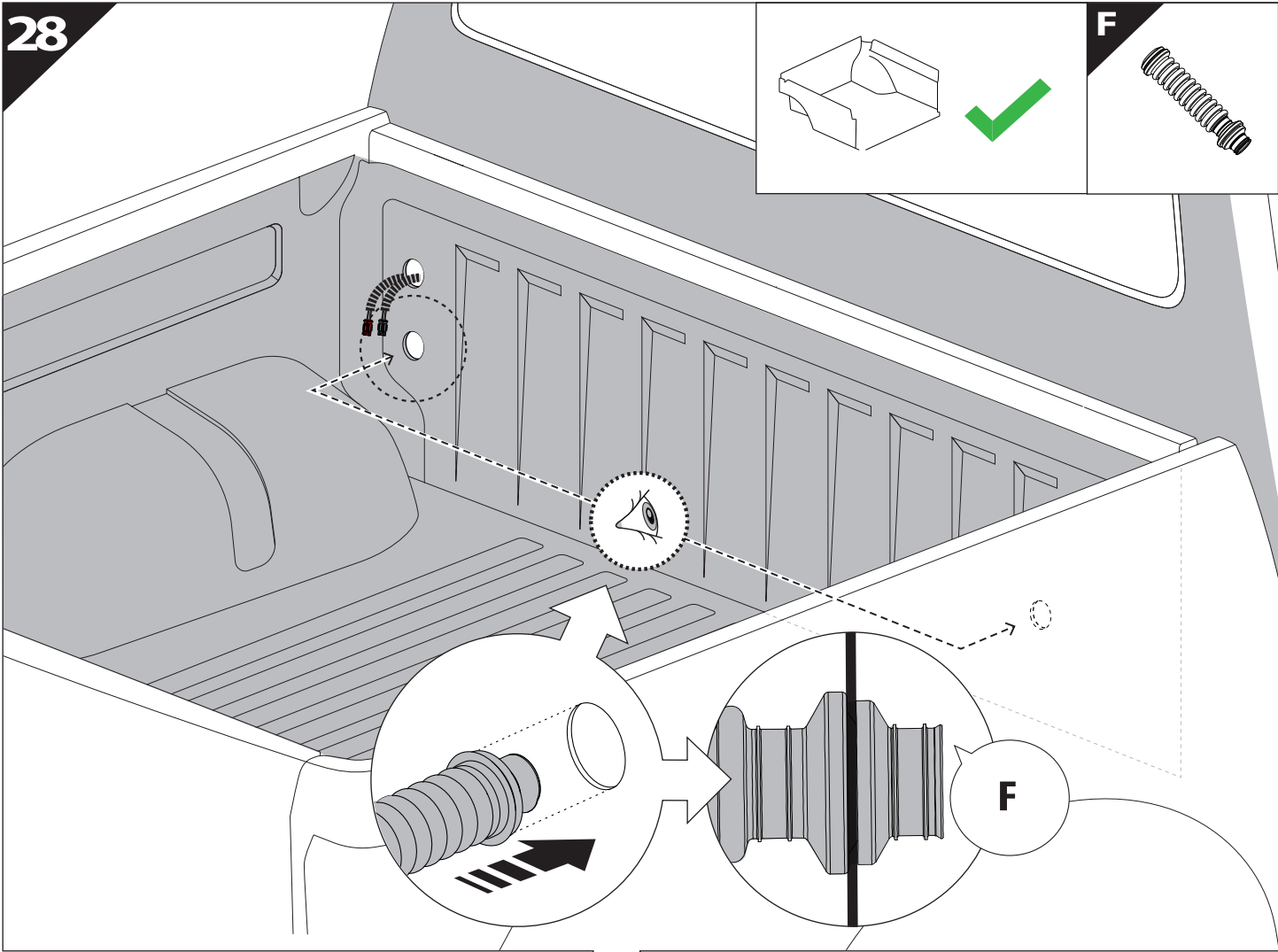
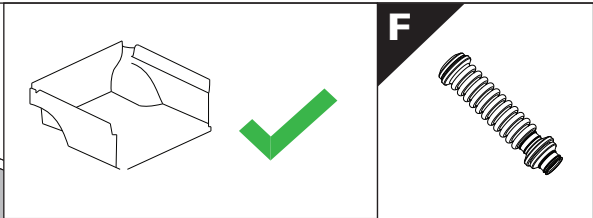


27

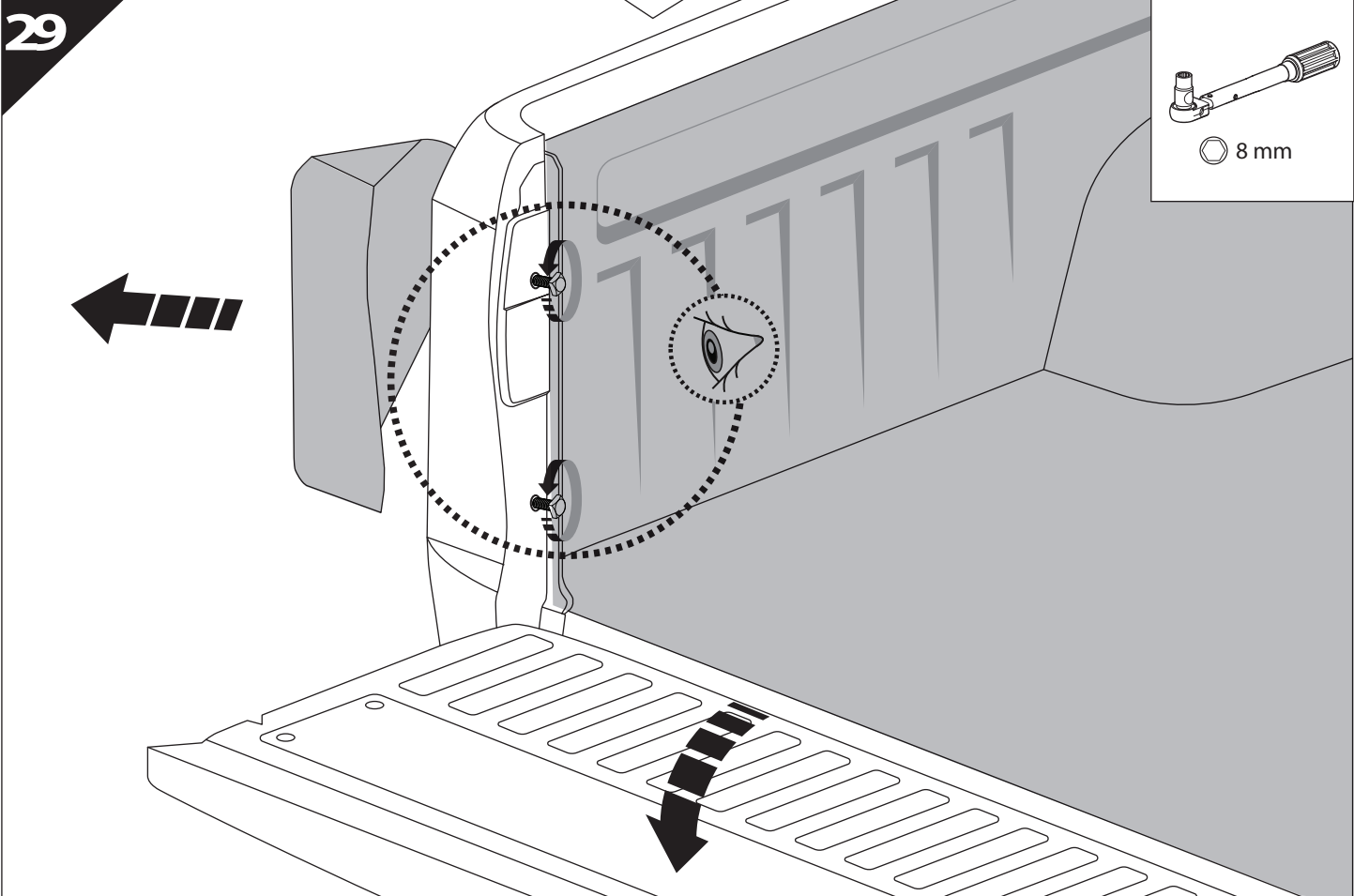
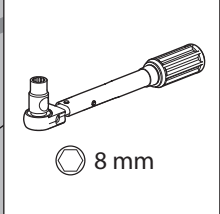


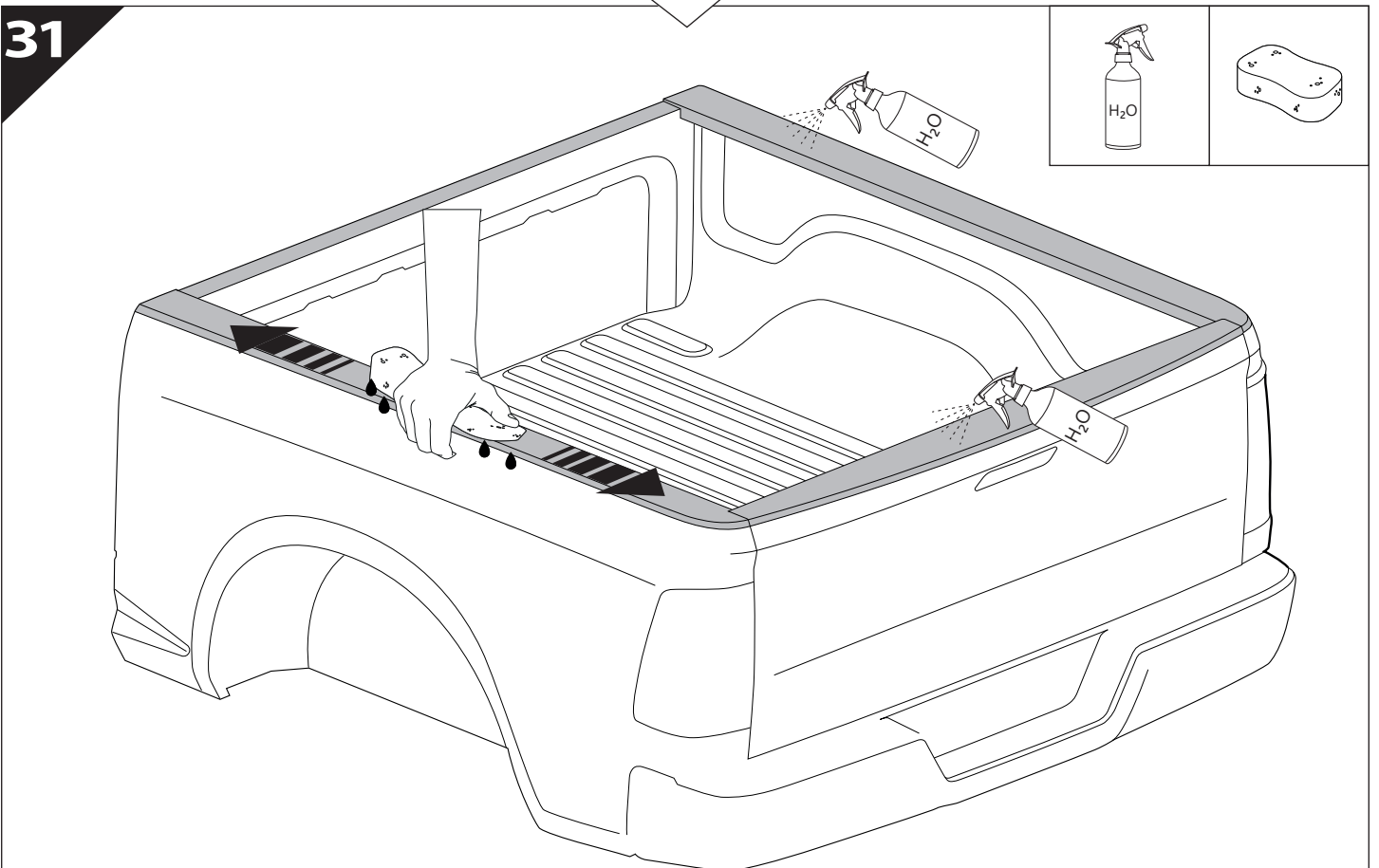
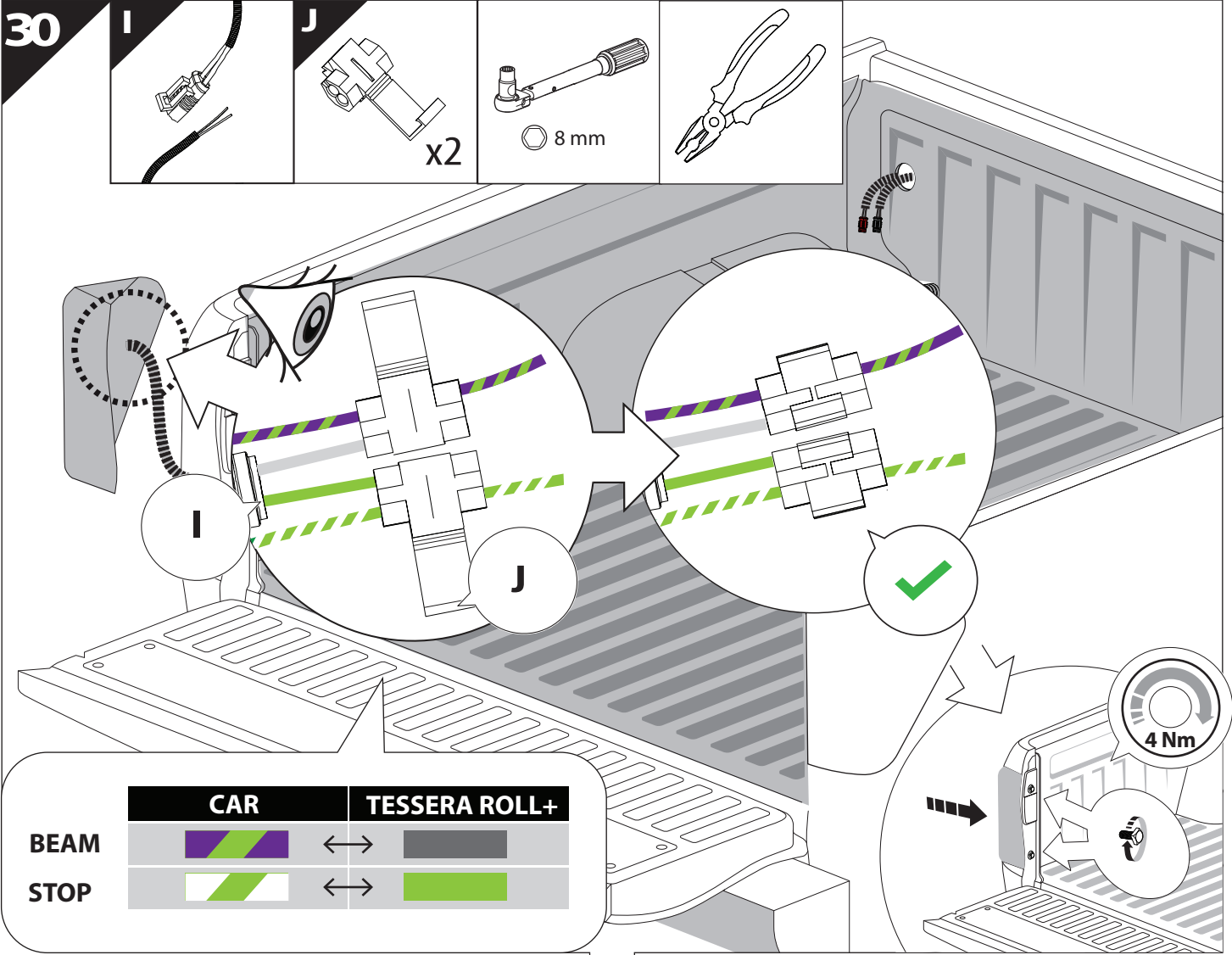


28

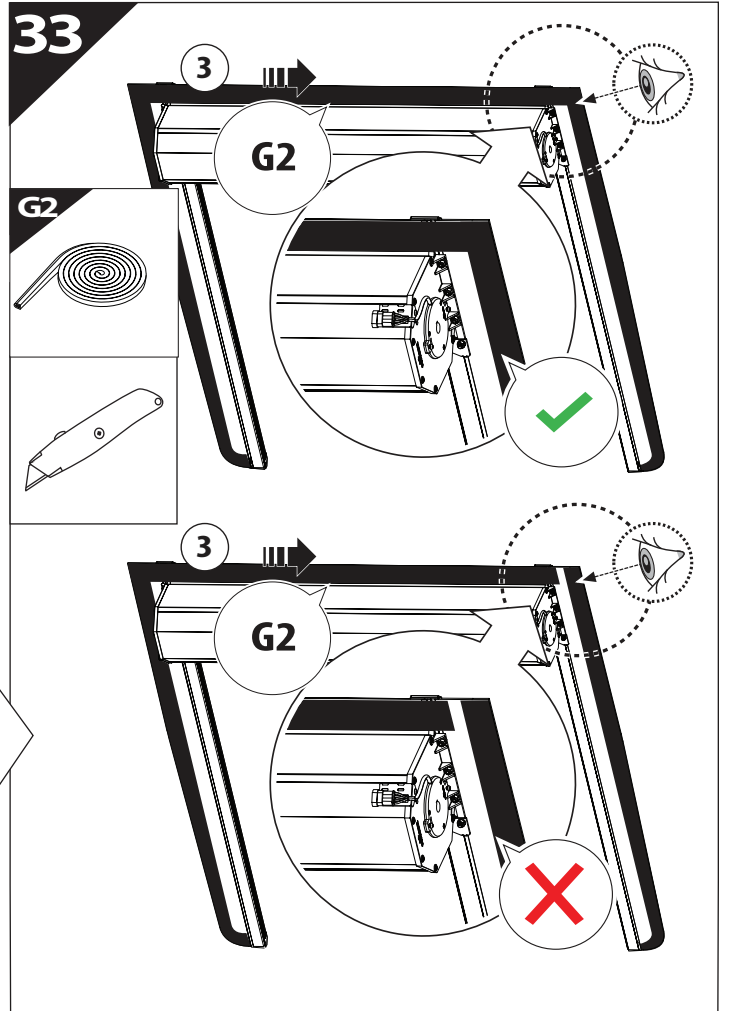
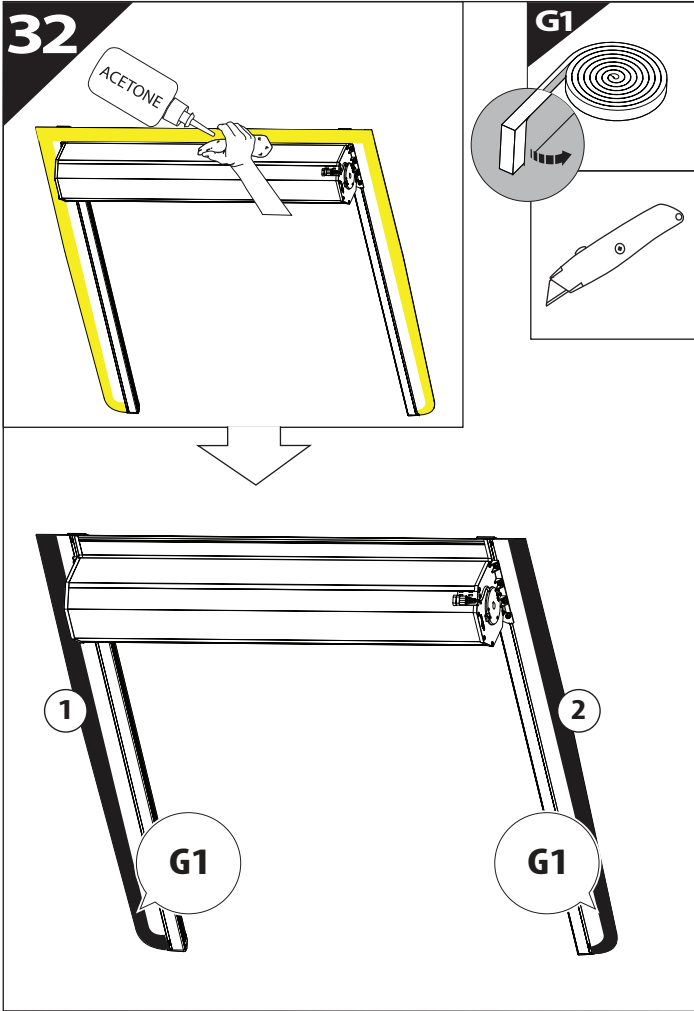


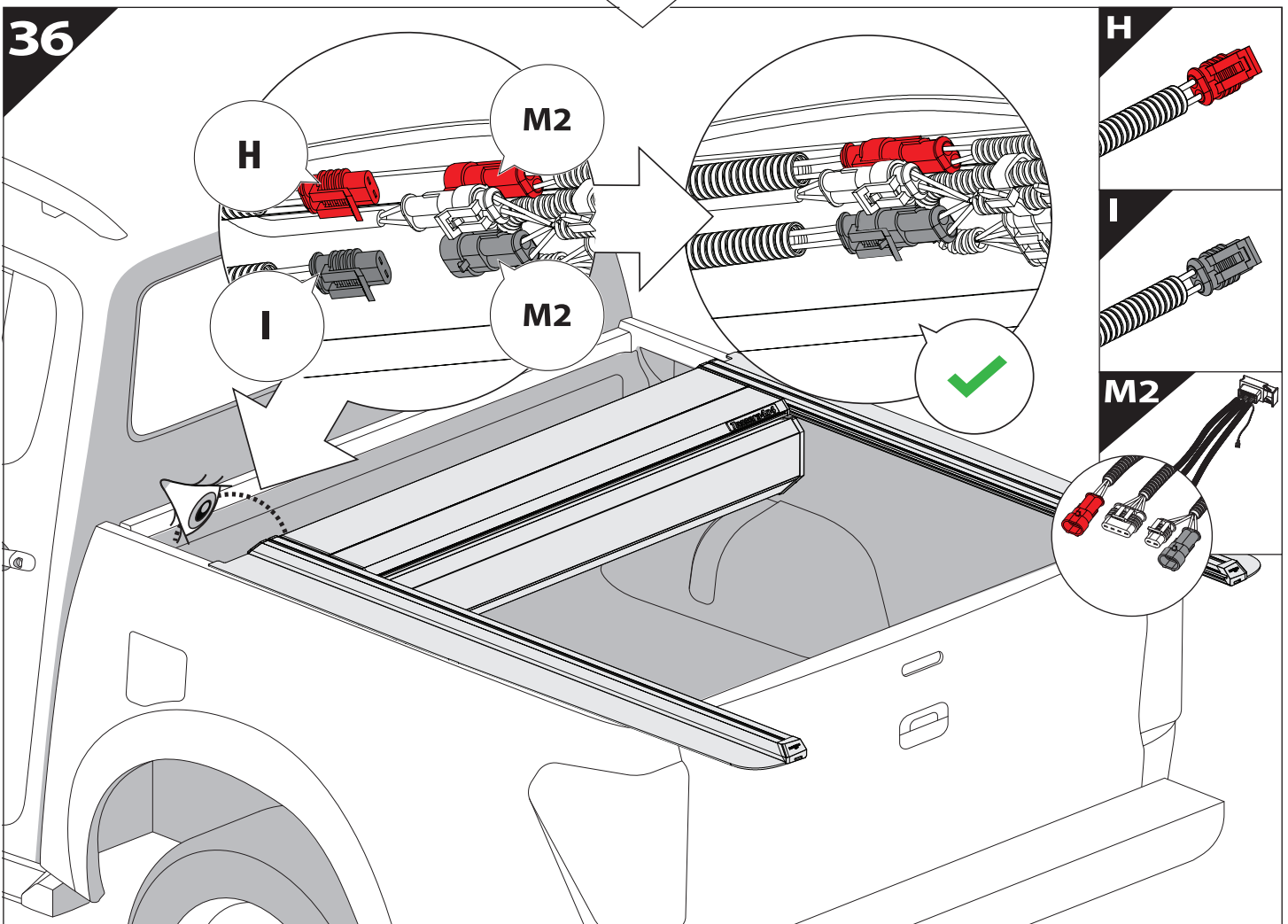
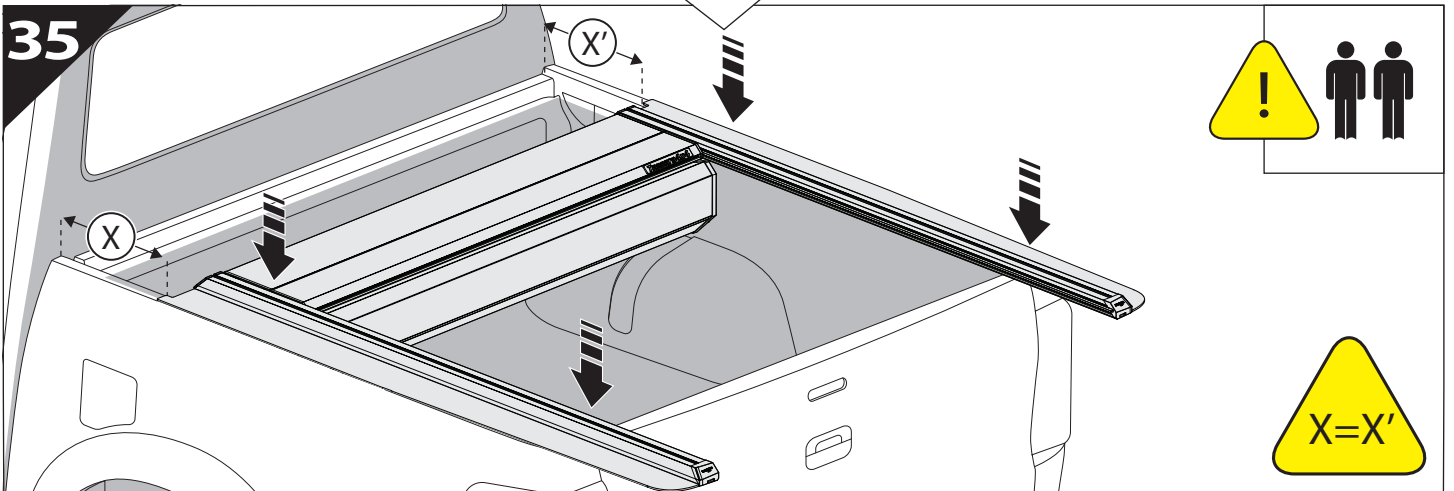
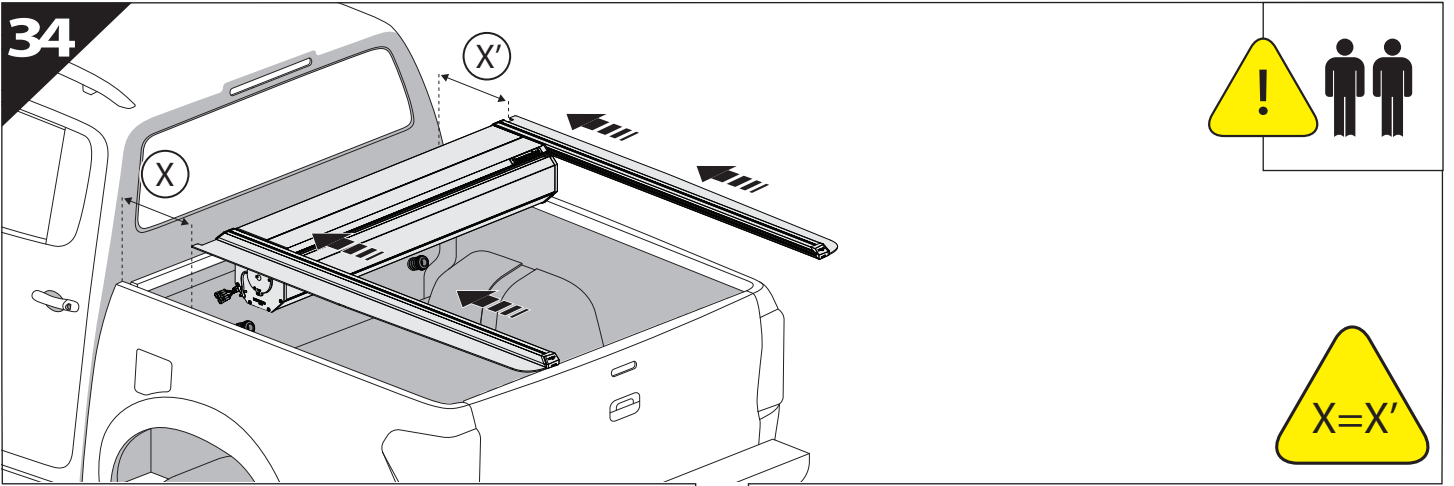
29





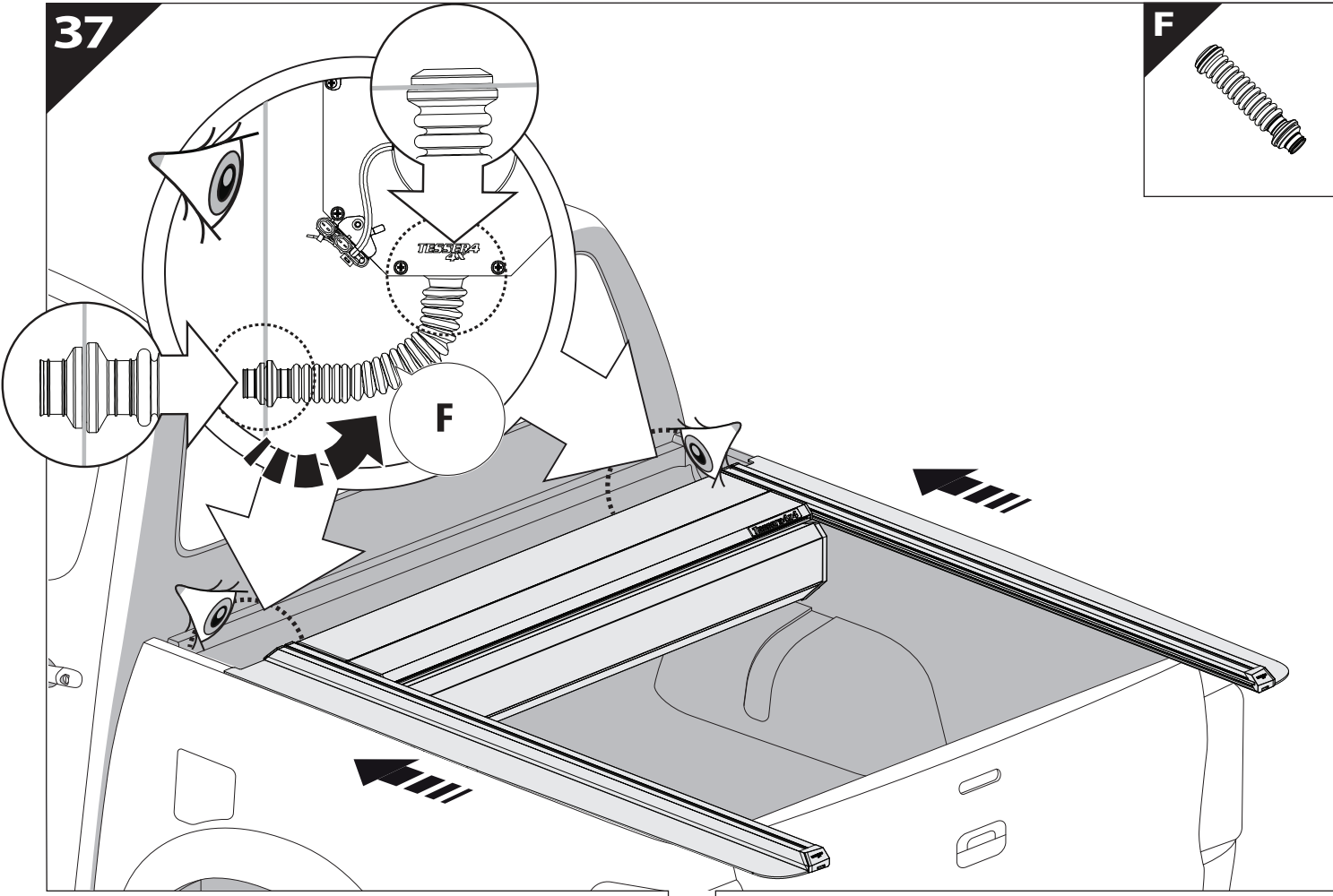




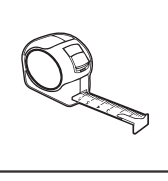
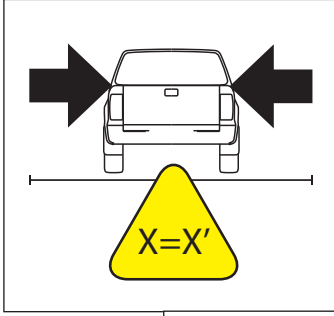
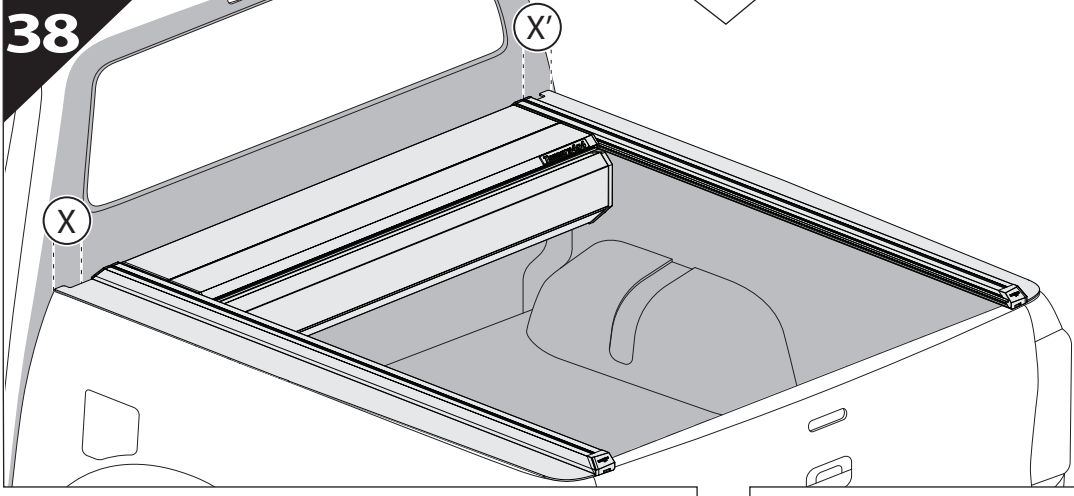


37

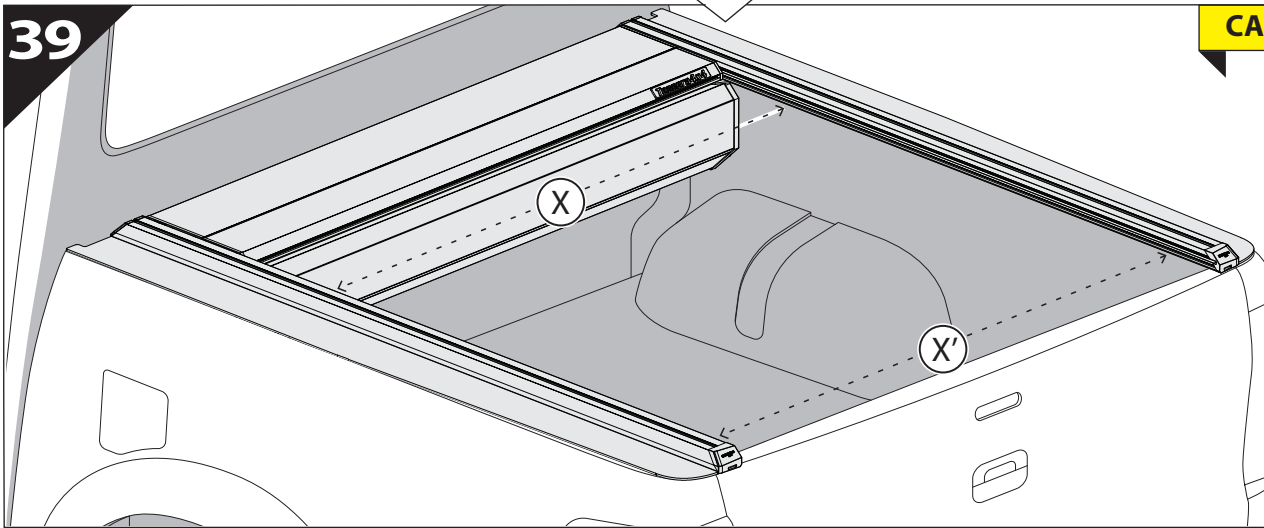
F



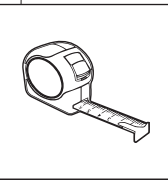
38

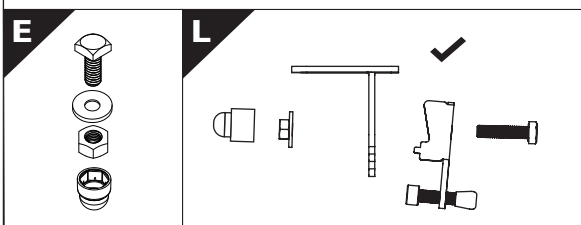
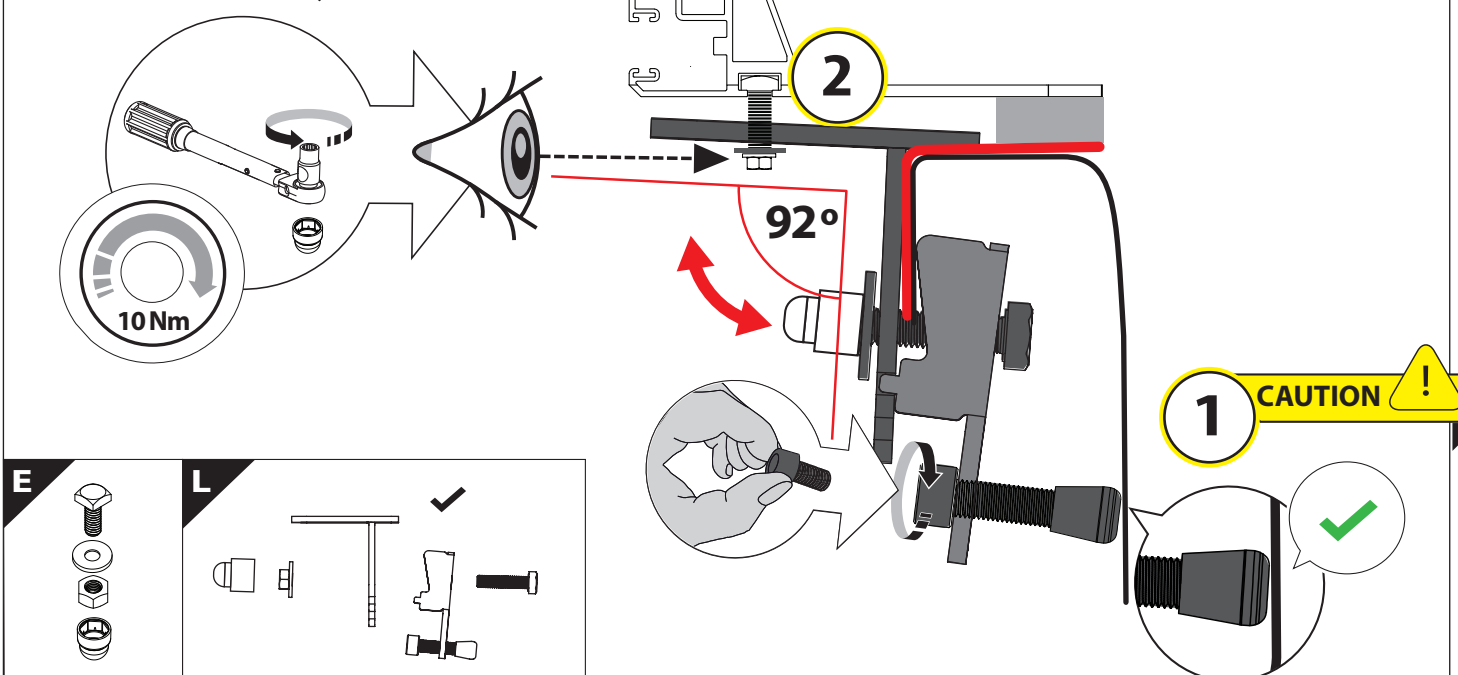
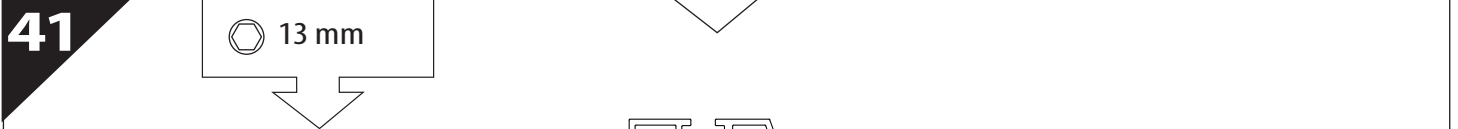
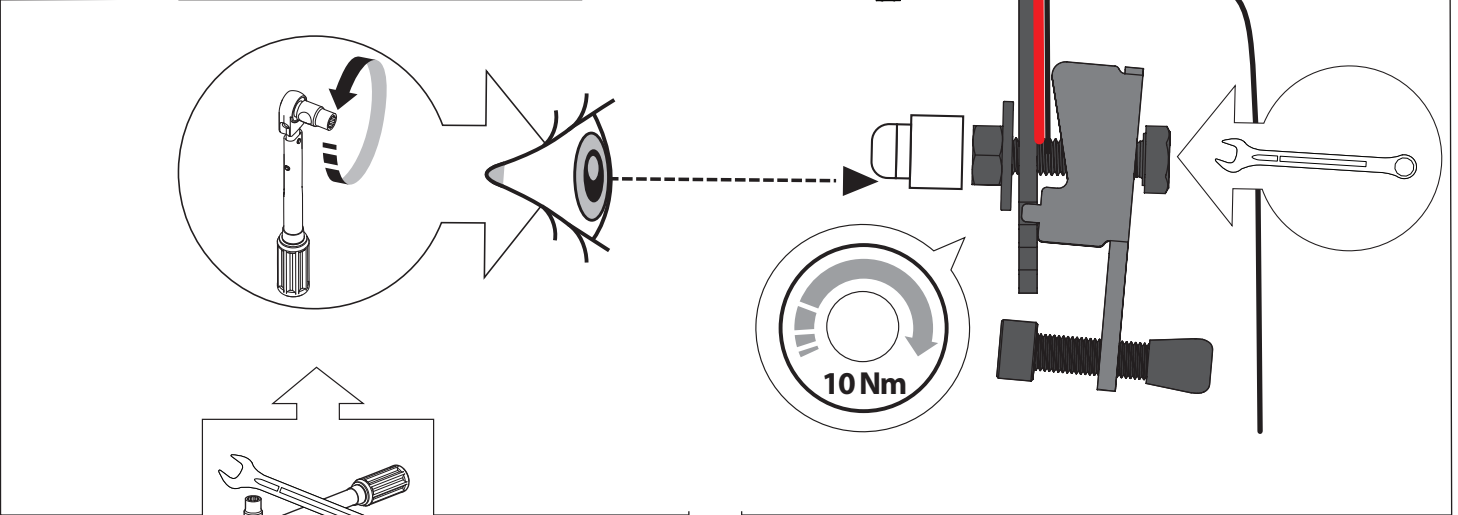
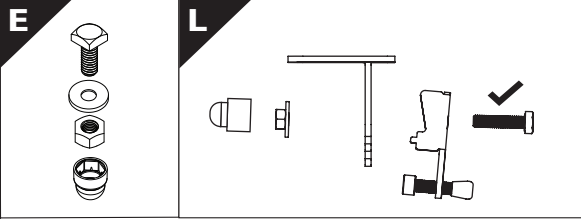
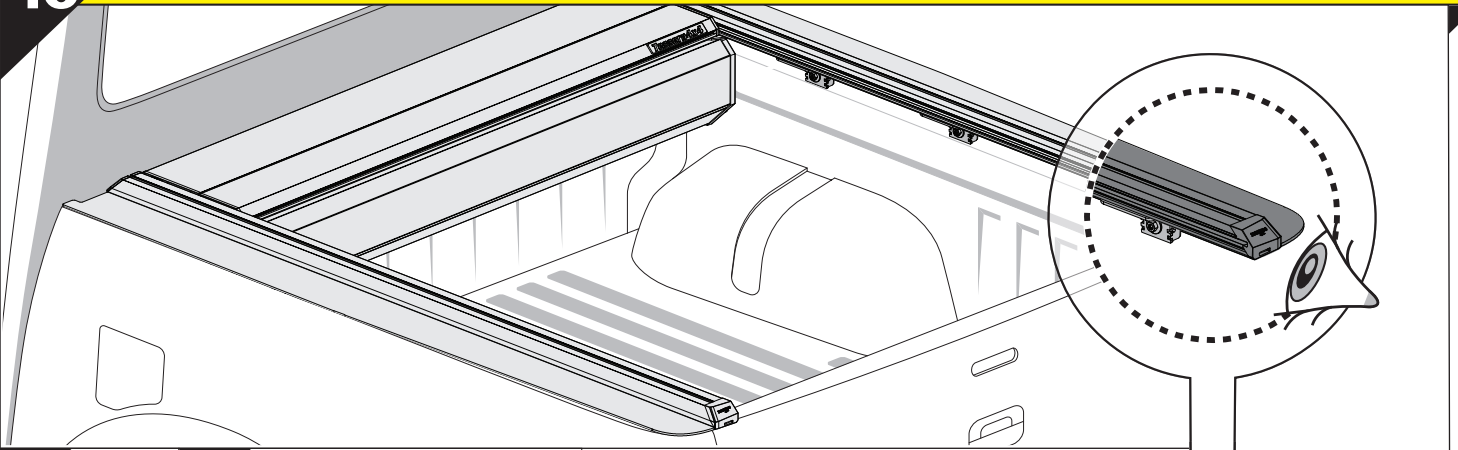


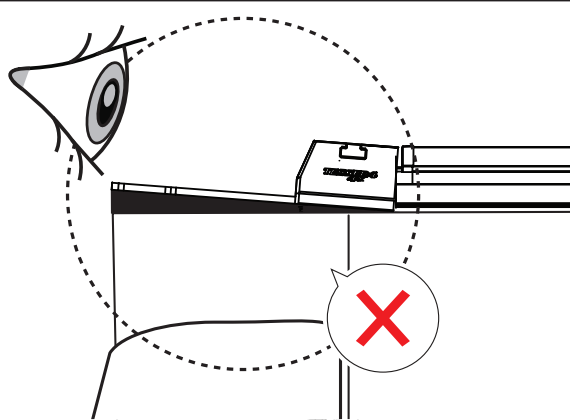
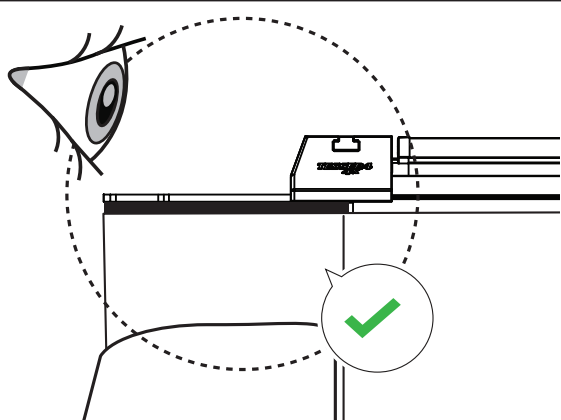
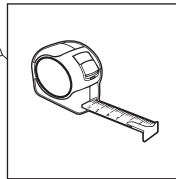
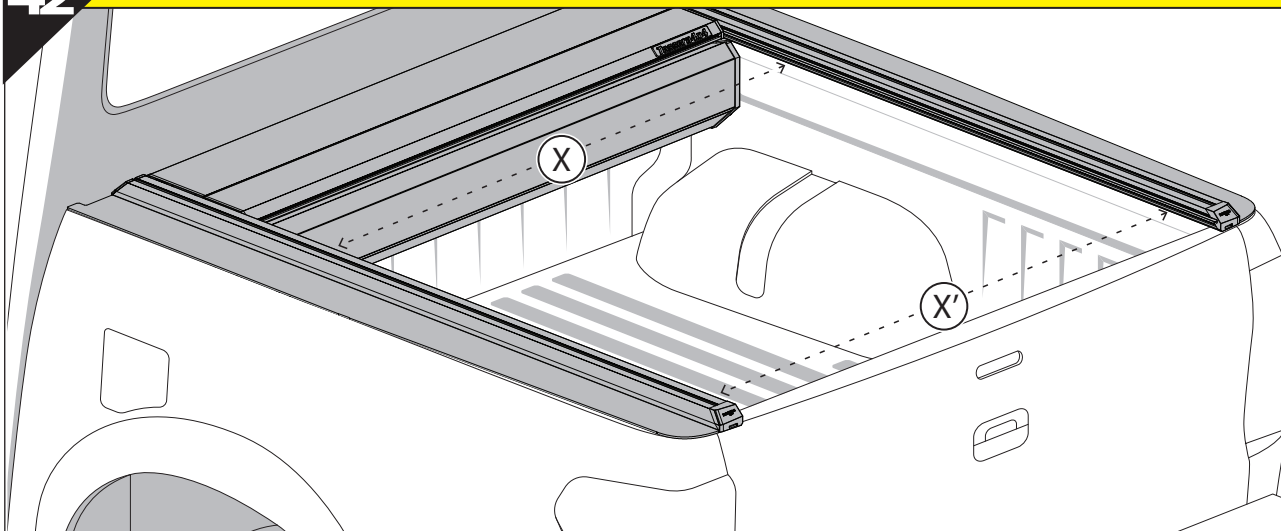
39



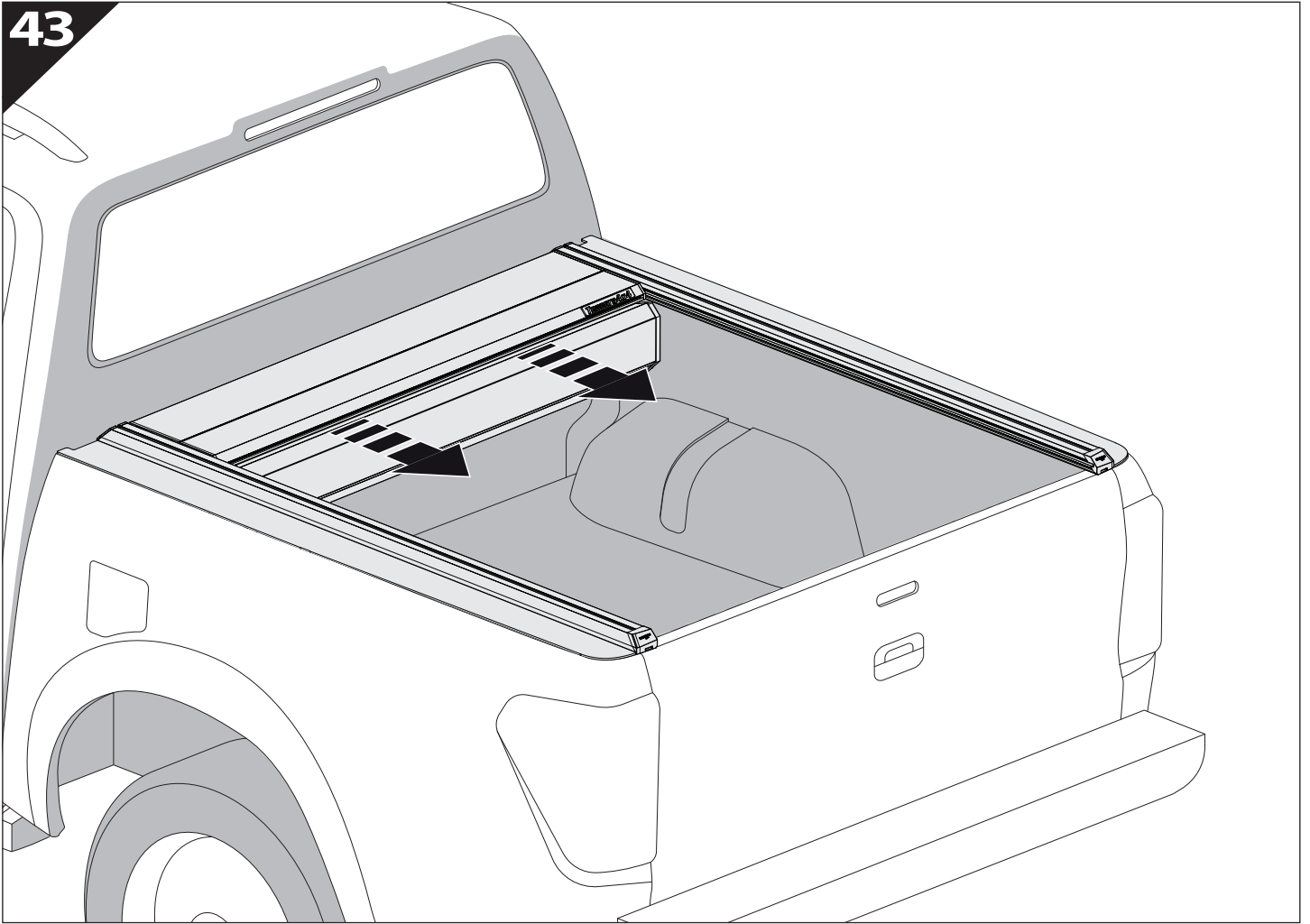
CAUTION !



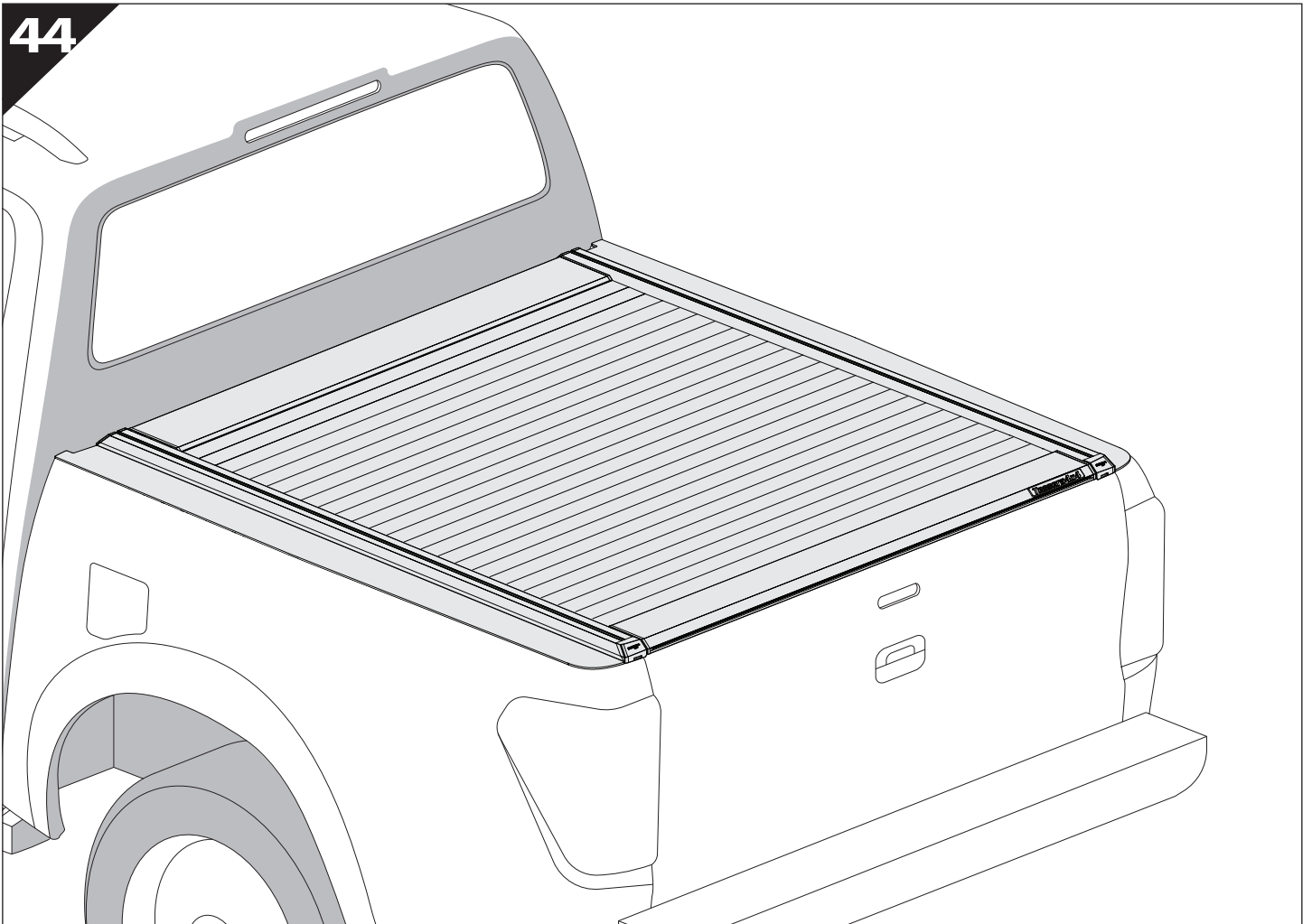




43



44







**GR:** Οδηγίες Εγκατάστασης  
**GB:** Installation manual  
**SF:** Asennusohje  
**F:** Notice de montage  
**PL:** Instrukcja montażu  
**NL:** Installatie-instructies  
**TR:** Montaj Talimatı  
**S:** Monteringsanvisning  
**E:** Instrucciones de montaje

**H:** Szerelési utasítás  
**P:** Instruções de instalação  
**RUS:** Инструкция по установке  
**N:** Monteringsveiledning  
**D:** Einbauanleitung  
**CZ:** Návod k instalaci  
**I:** Istruzioni de montaggio  
**DK:** Monteringsvejledning  
**RO:** Instructiuni de instalare

Customer Service:

+30 (210) 5541161, +30 (210) 5541154 (08:00 - 16:00 EET)

Support department:

[info@gianso.gr](mailto:info@gianso.gr)

Website:

[www.tessera4x4.com](http://www.tessera4x4.com)

Address:

19.5 km of National road Athens-Korinthos (Elefsina) Greece, P.C: 19200