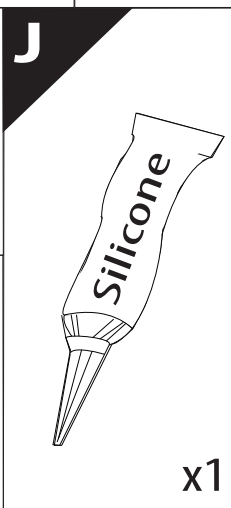
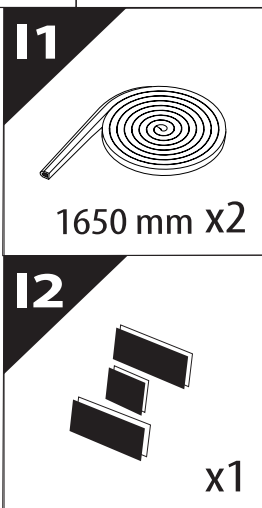
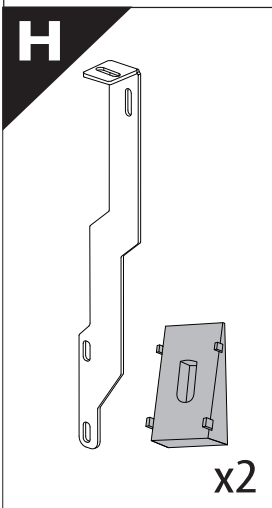
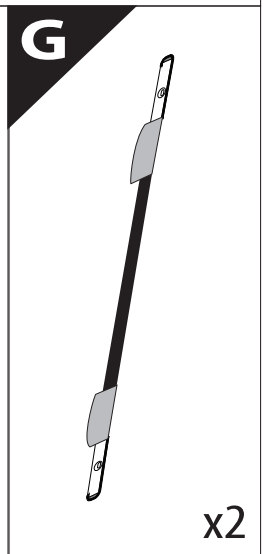
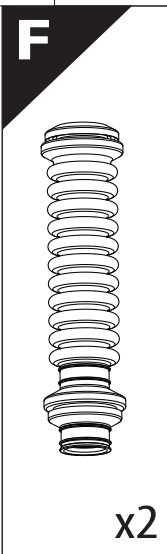
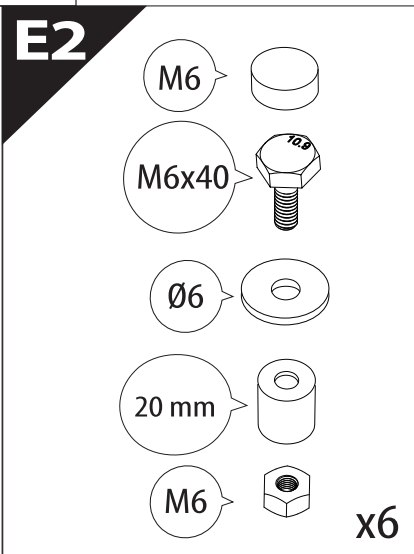
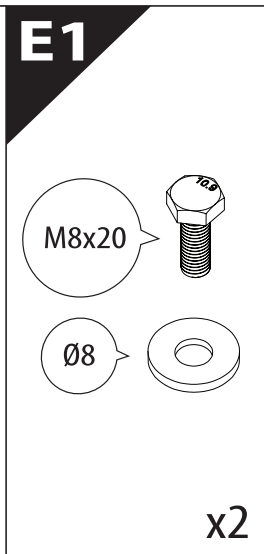
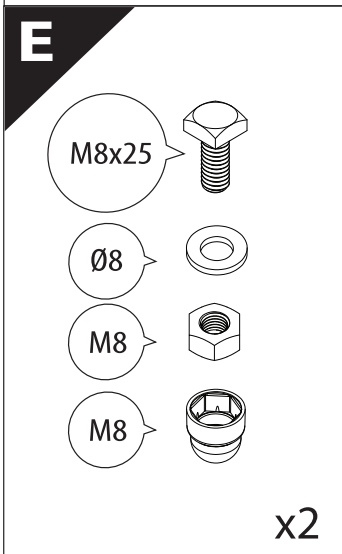
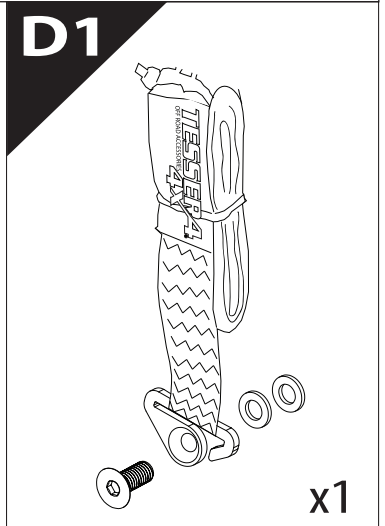
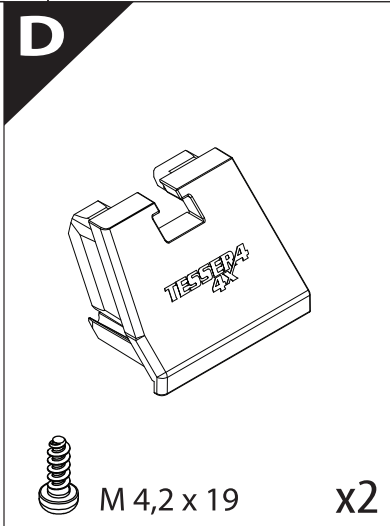
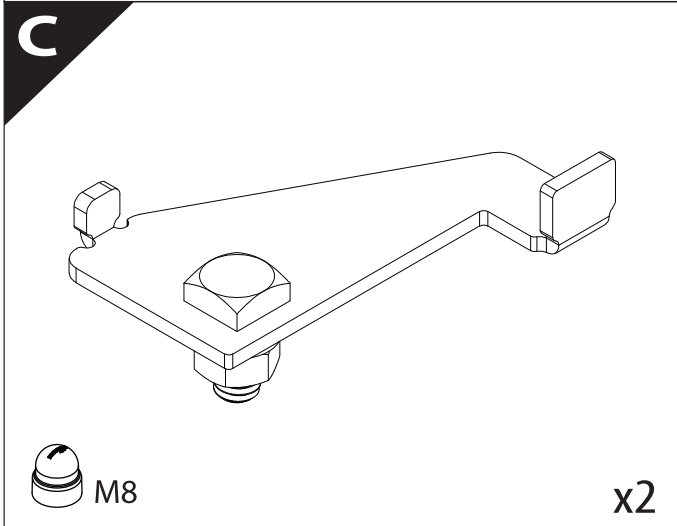
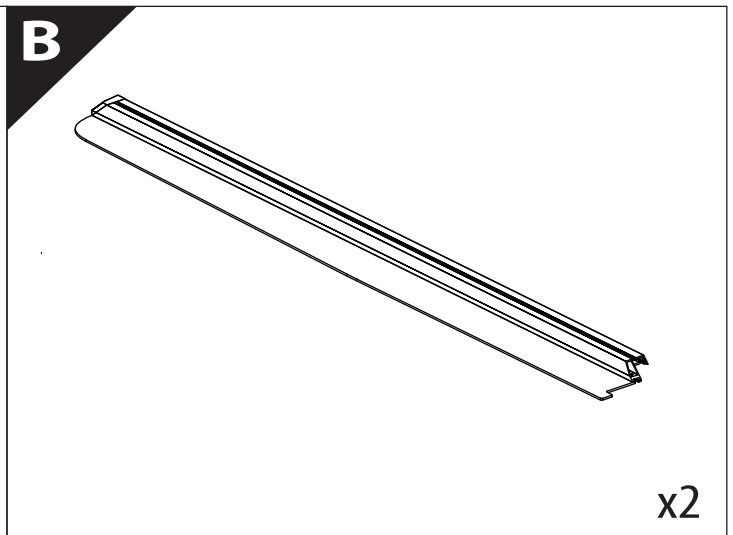
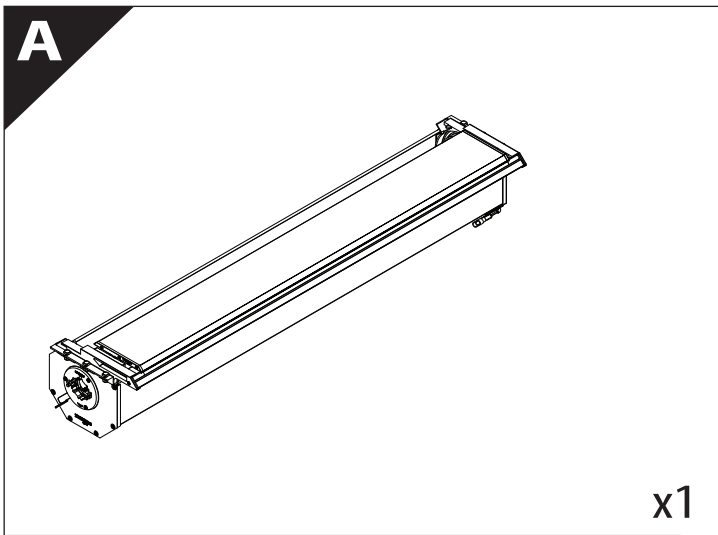
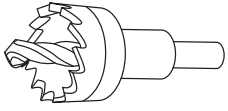


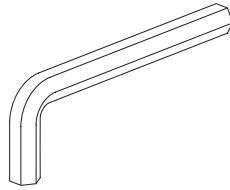
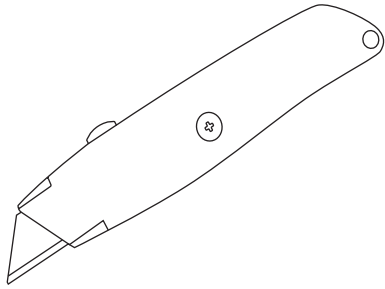
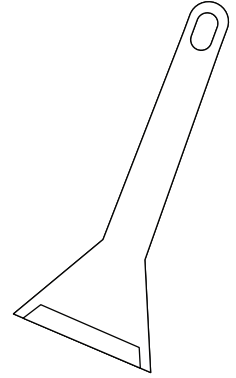
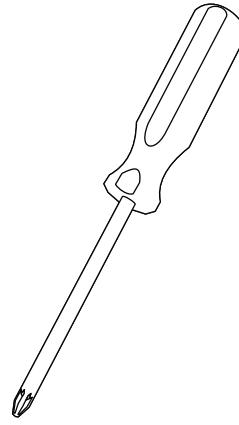
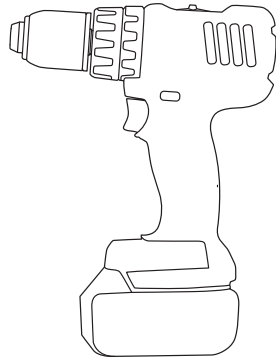
Installation Manual

PART NUMBER(S)	Model Year
TESS 15180 SE	VW AMAROK AVENTURA 2023+
Cab(s)	Installation Time / Weight
Double Cab	40-60 minutes / 53-57 kg



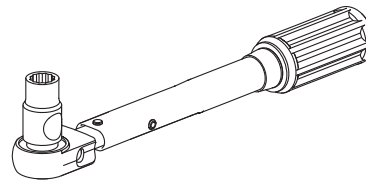


Ø 25 mm



4 mm

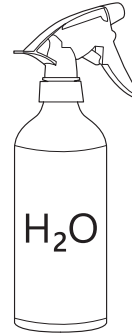
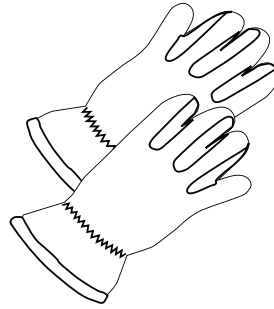
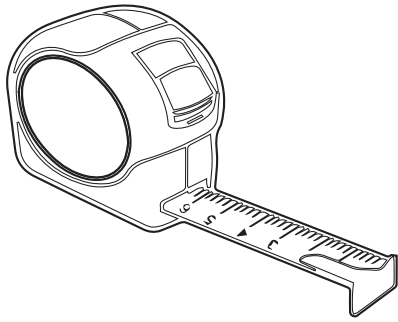
1 - 25 Nm



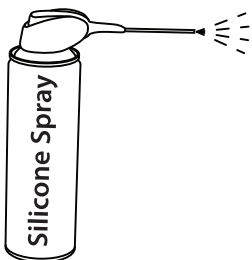
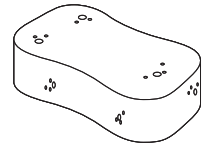
13, 17 mm



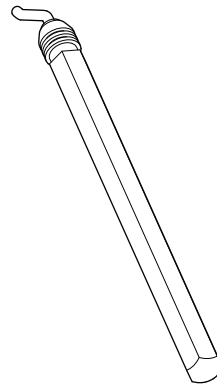
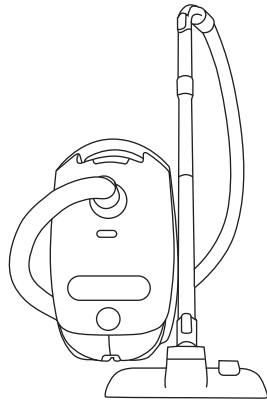
ACETONE



H₂O



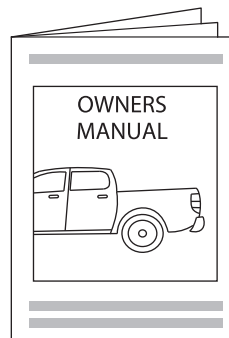
Silicone Spray



ANTI-RUST

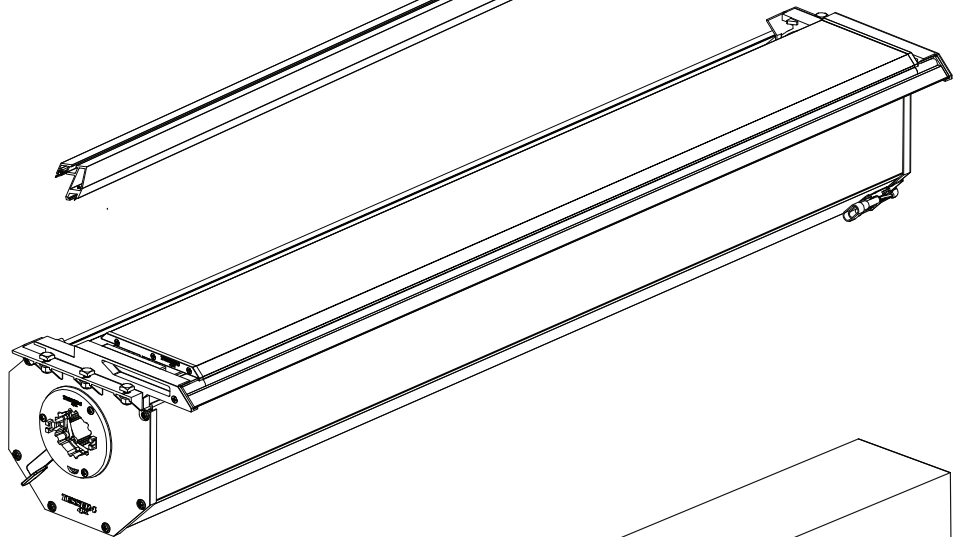
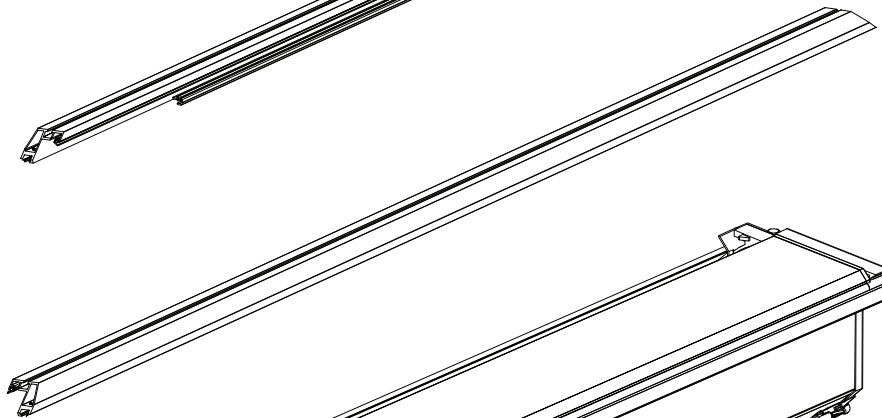
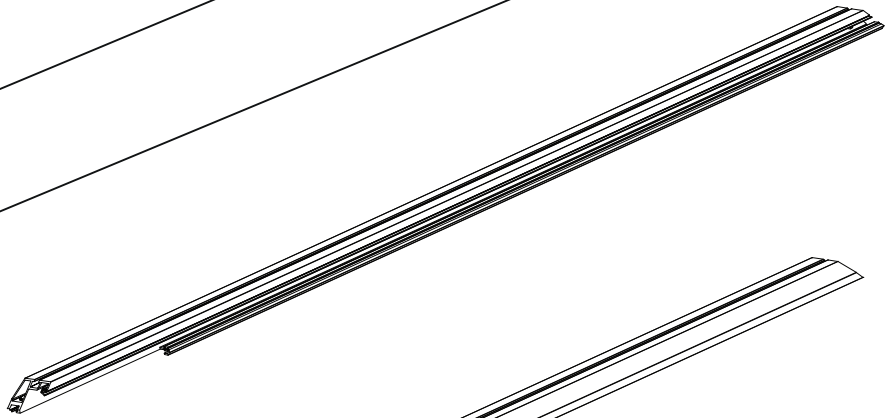
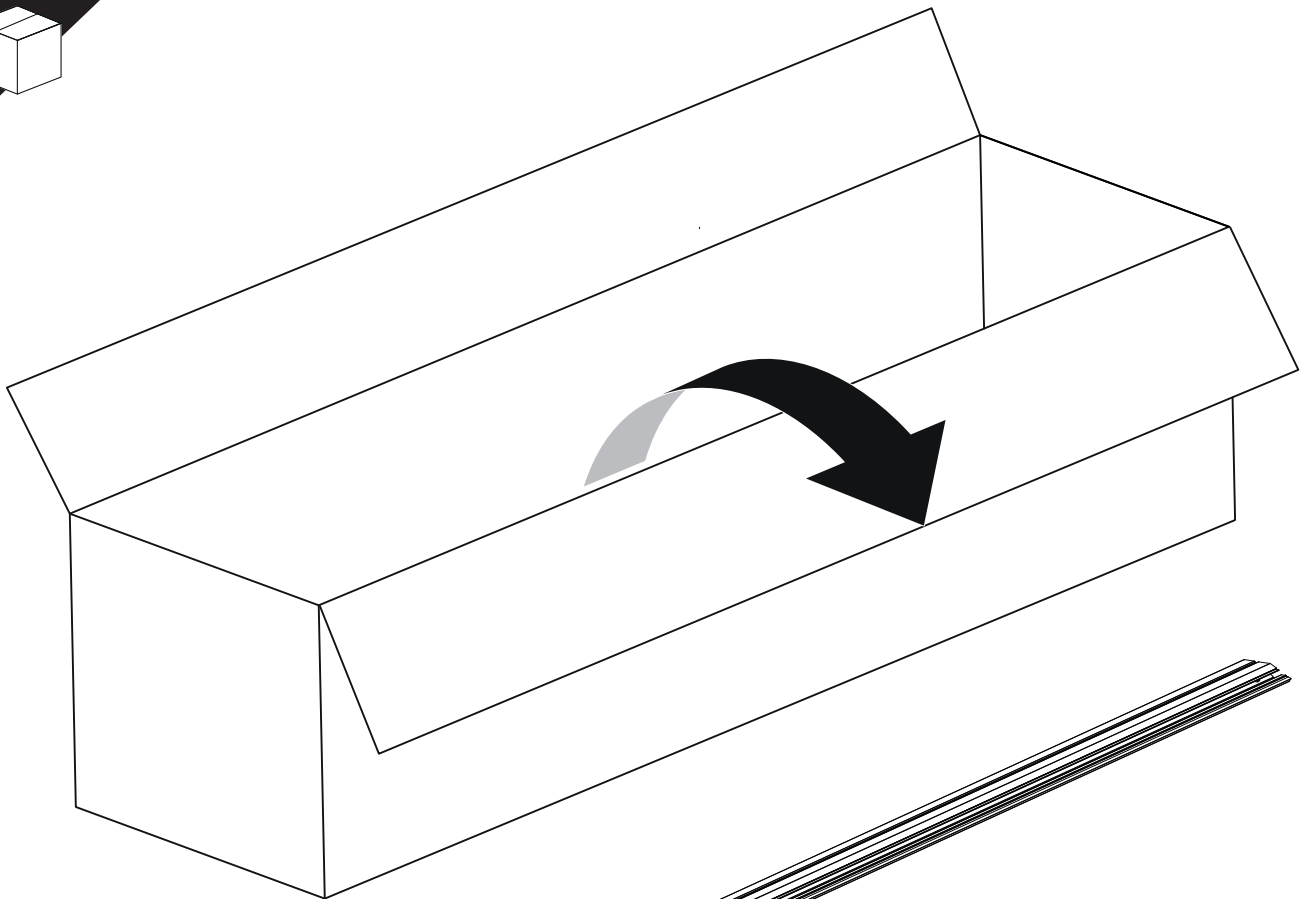


INSTALLATION
MANUAL



OWNERS
MANUAL

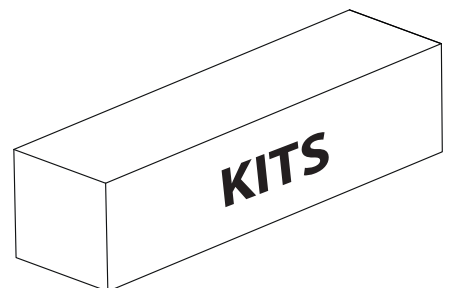
x1



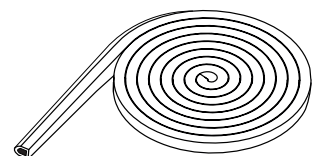
B

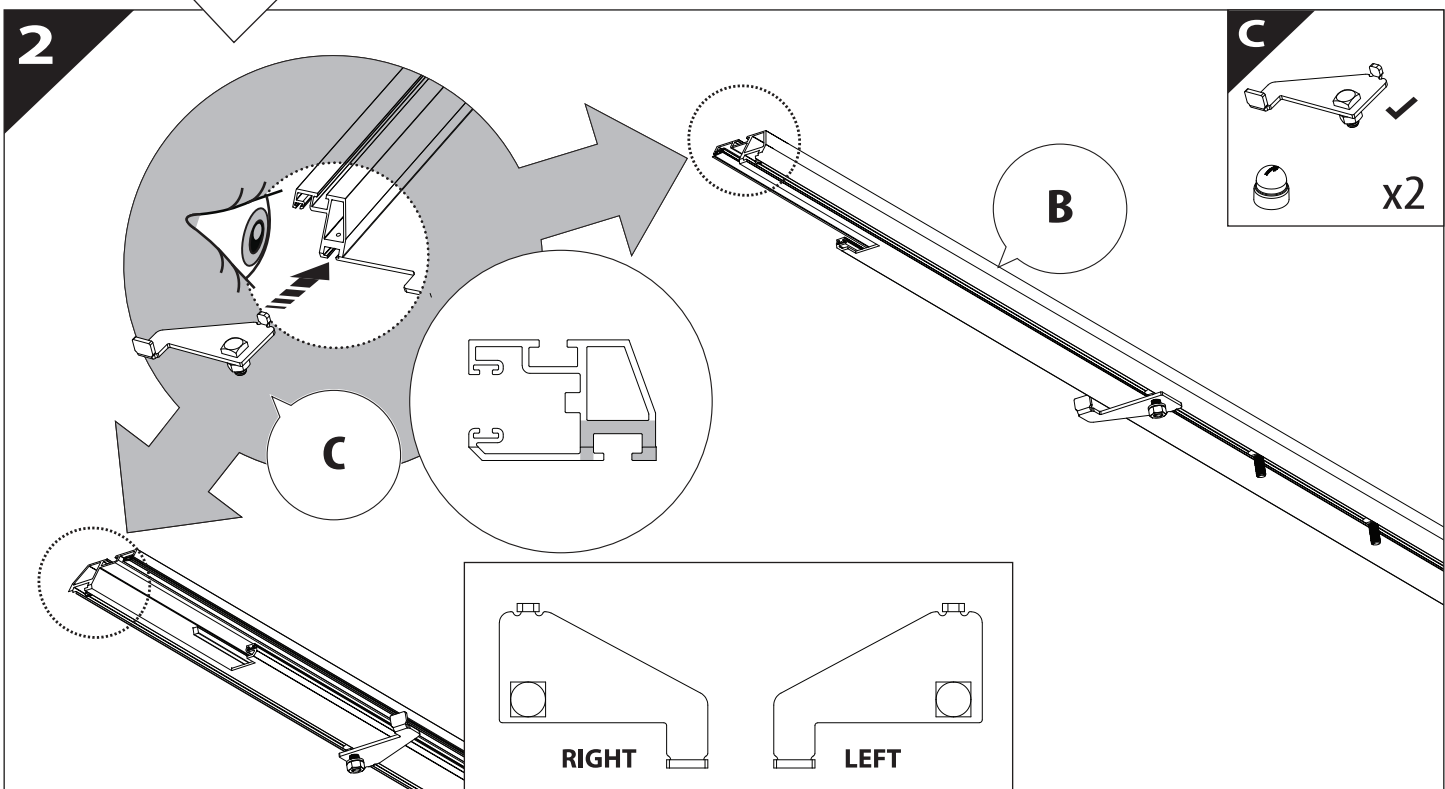
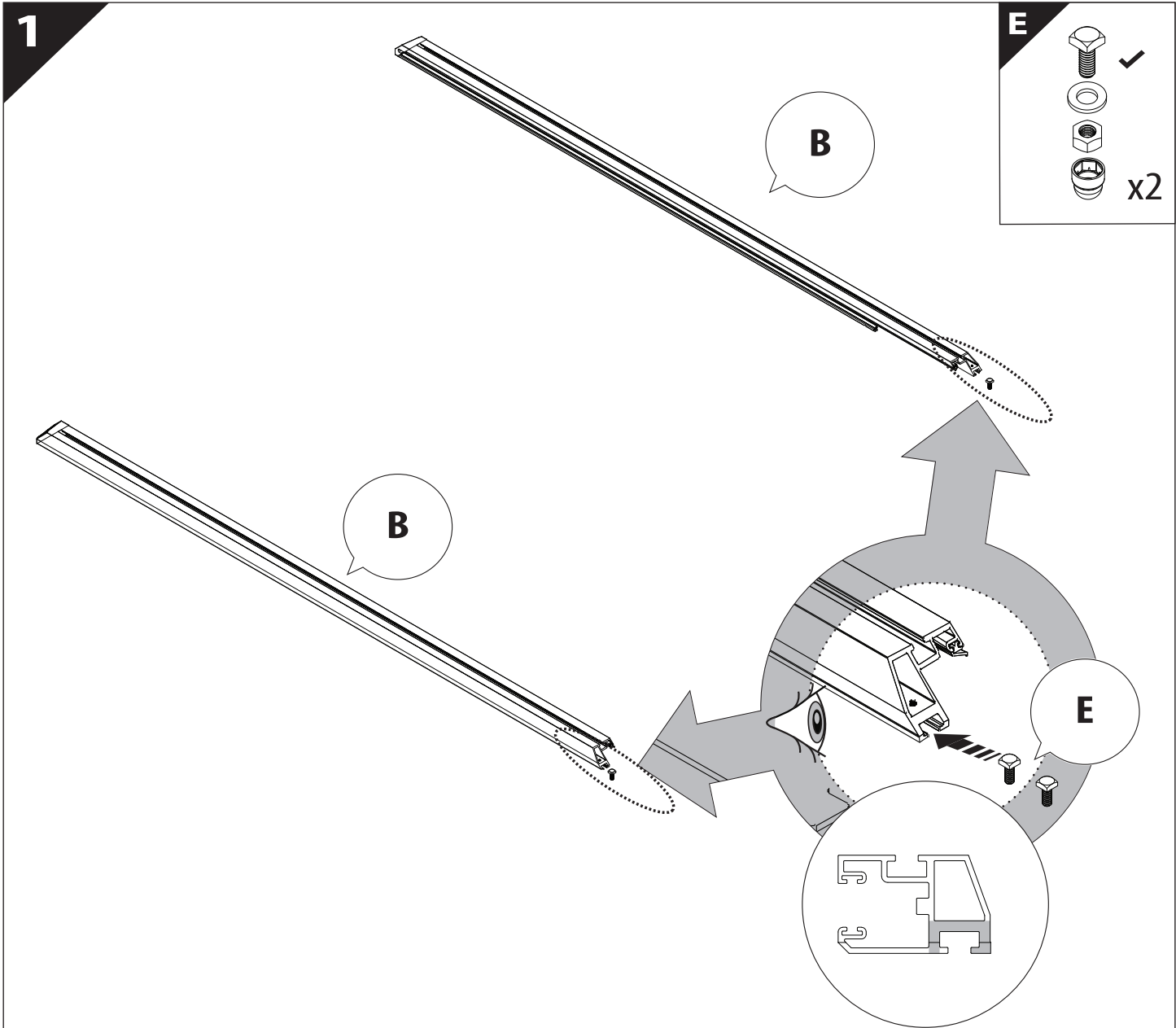
A

KITS

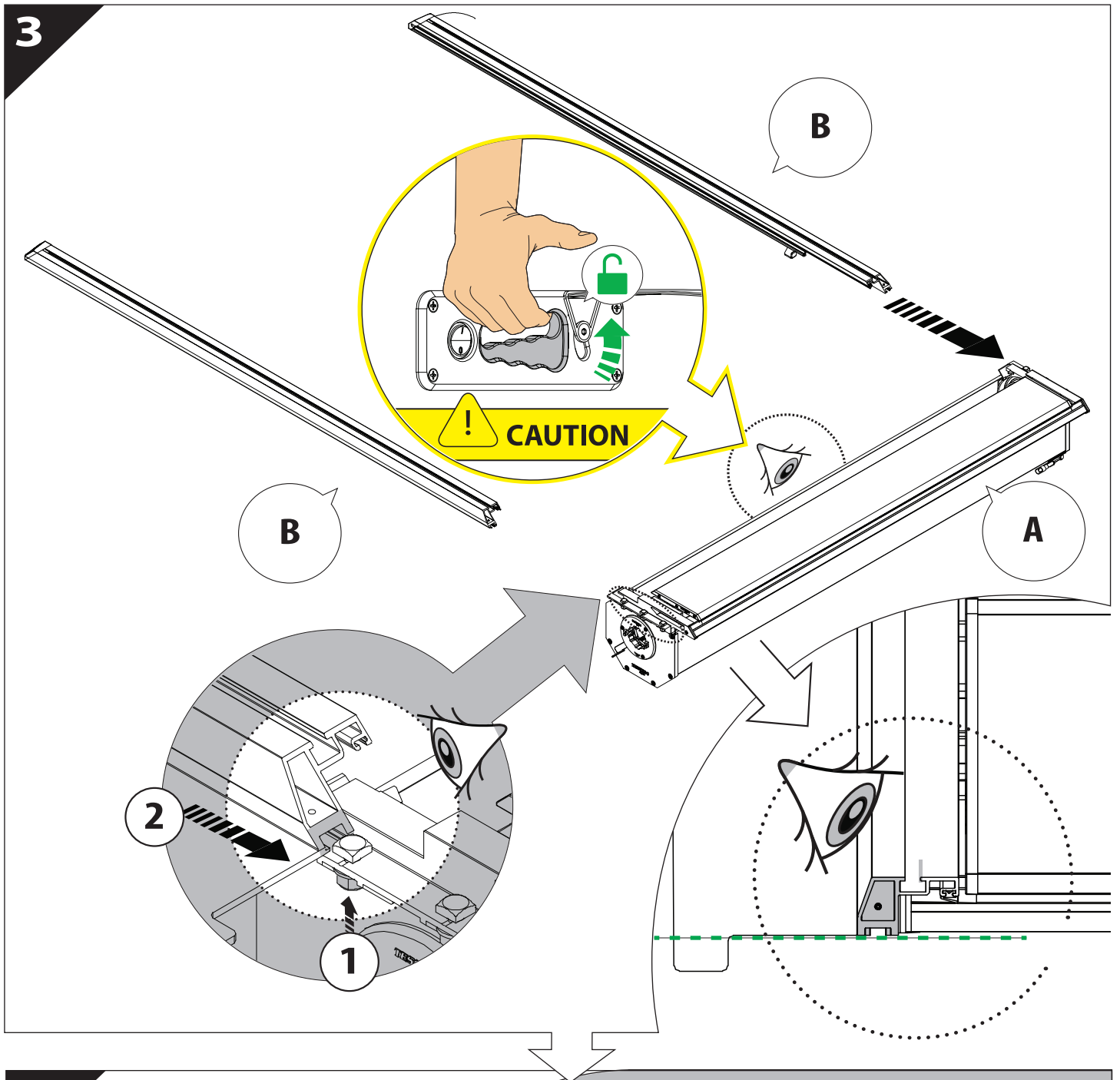


I

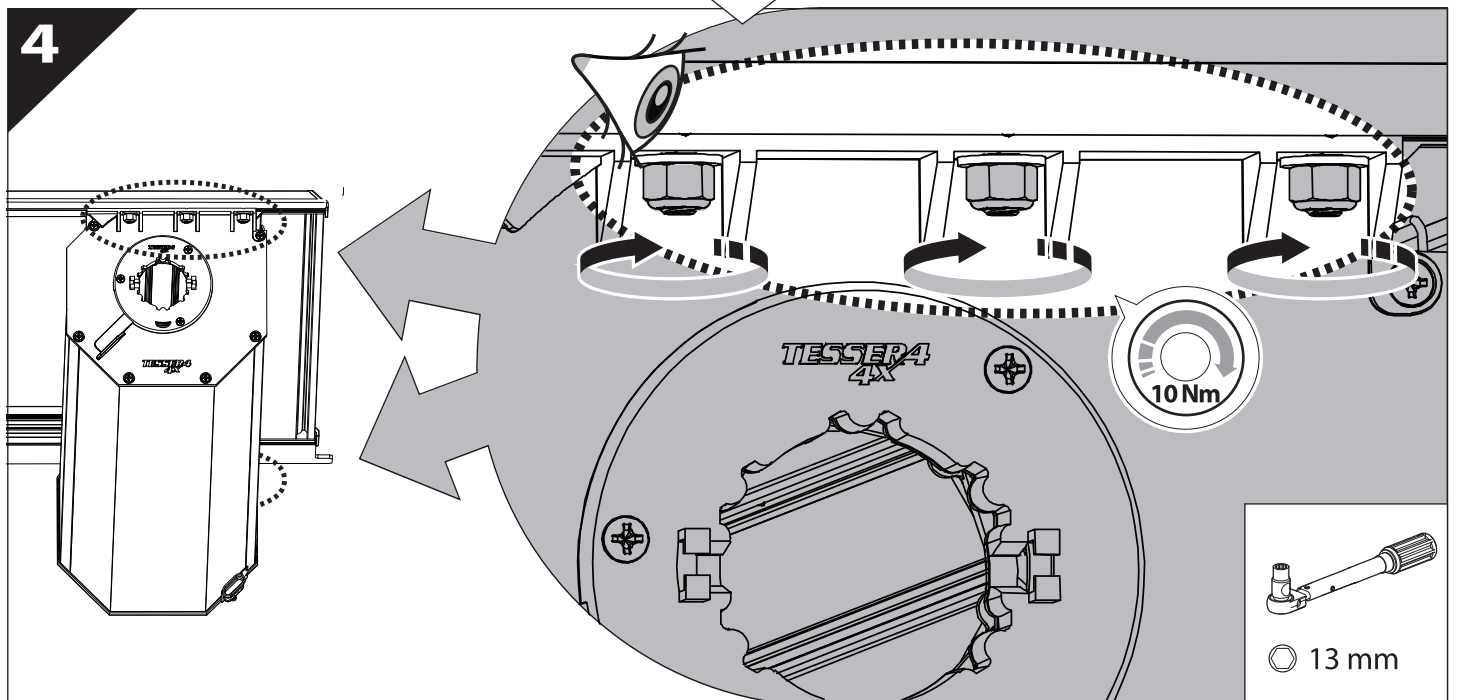


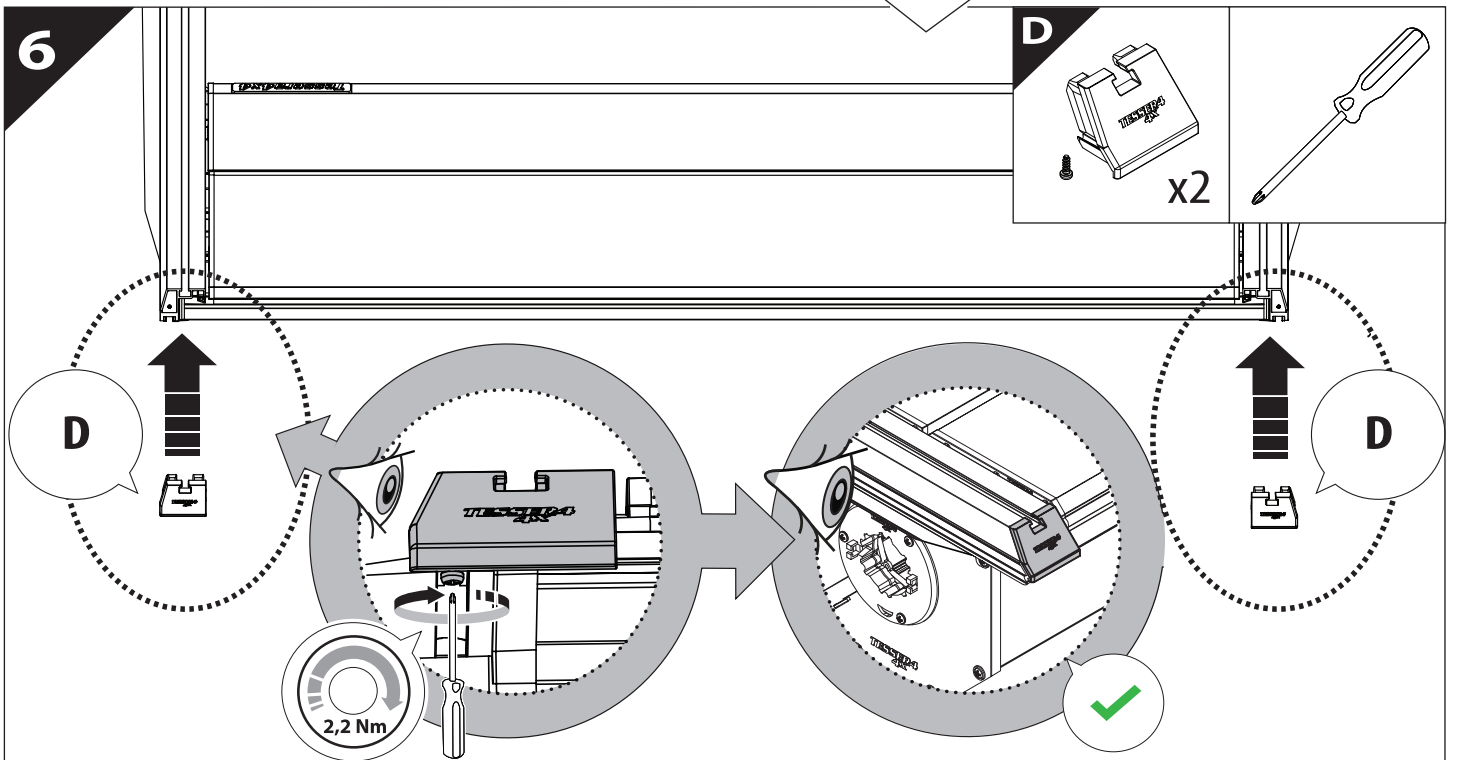
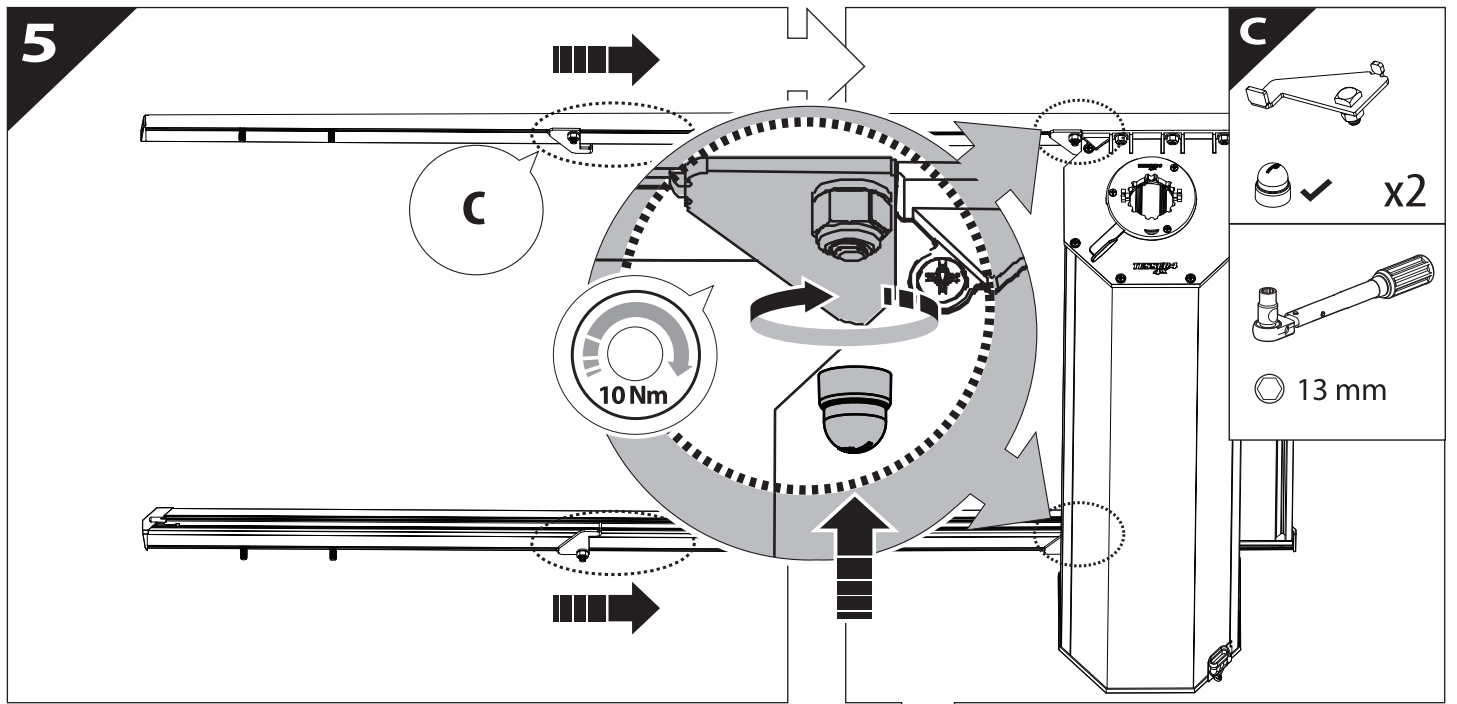


3

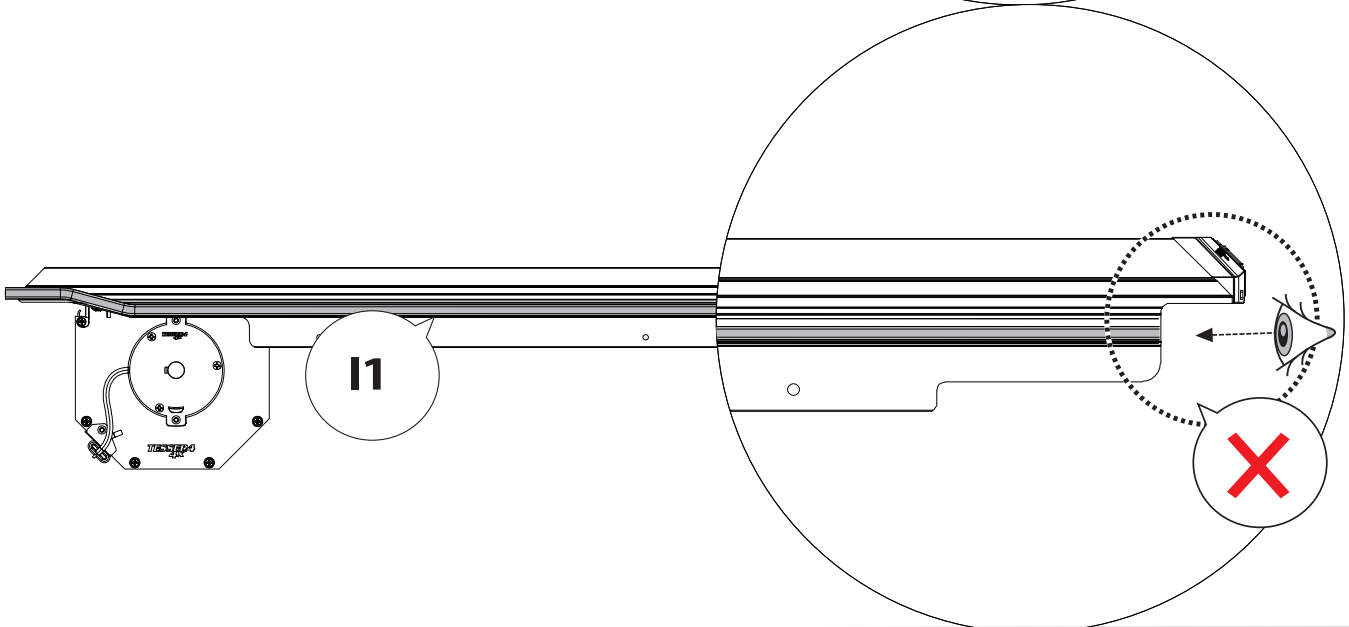
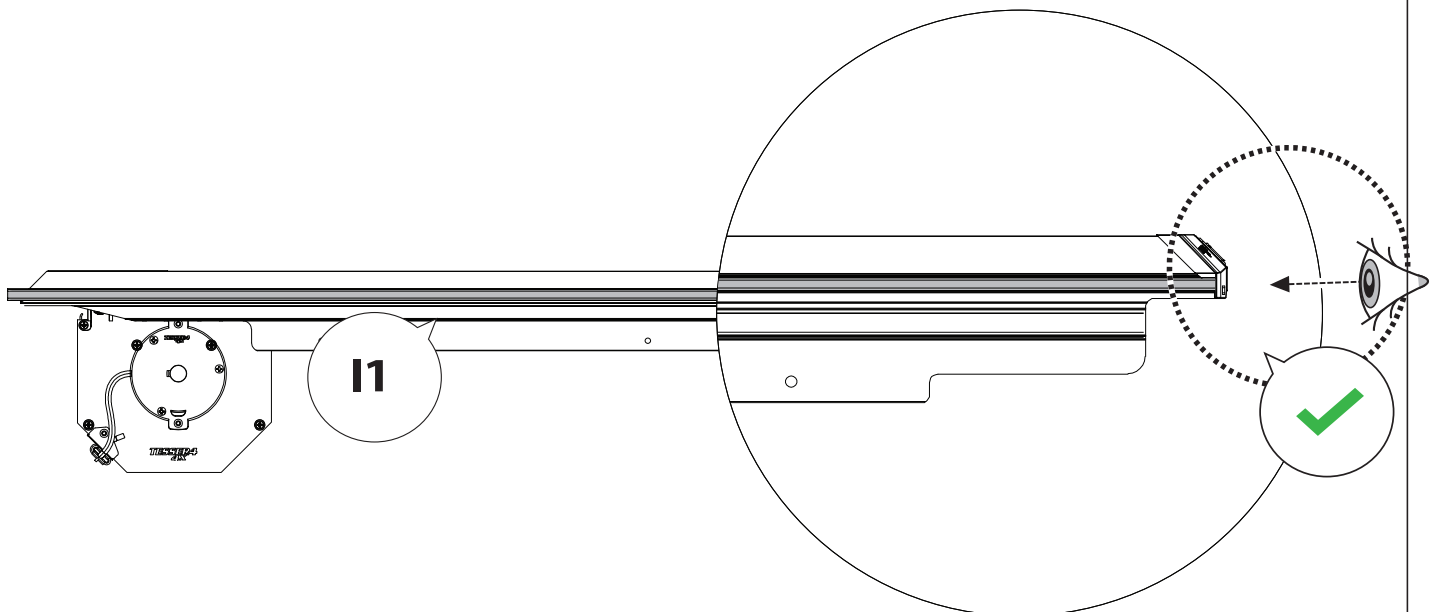
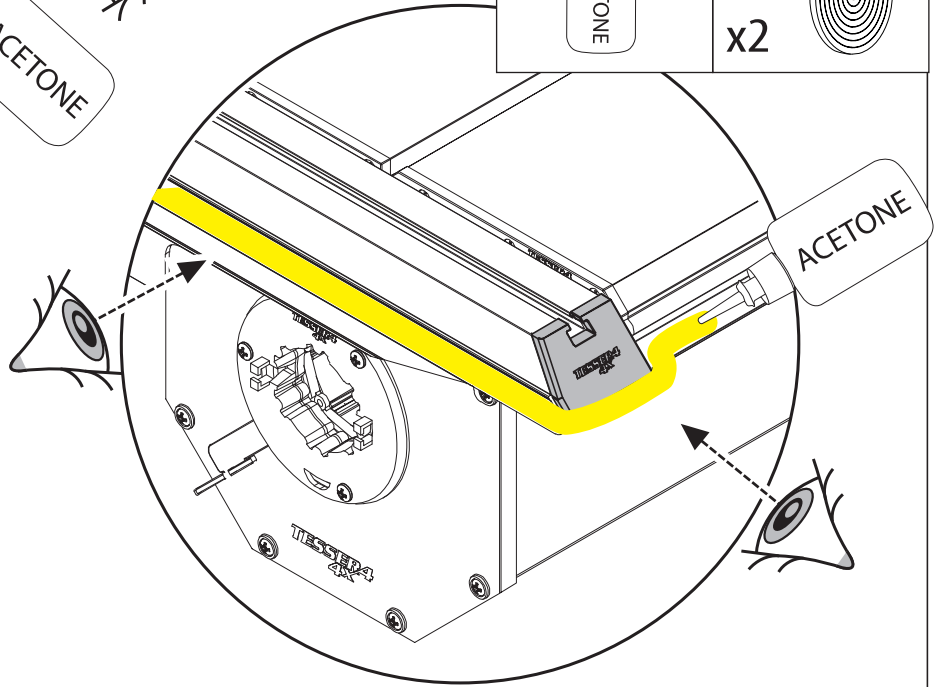


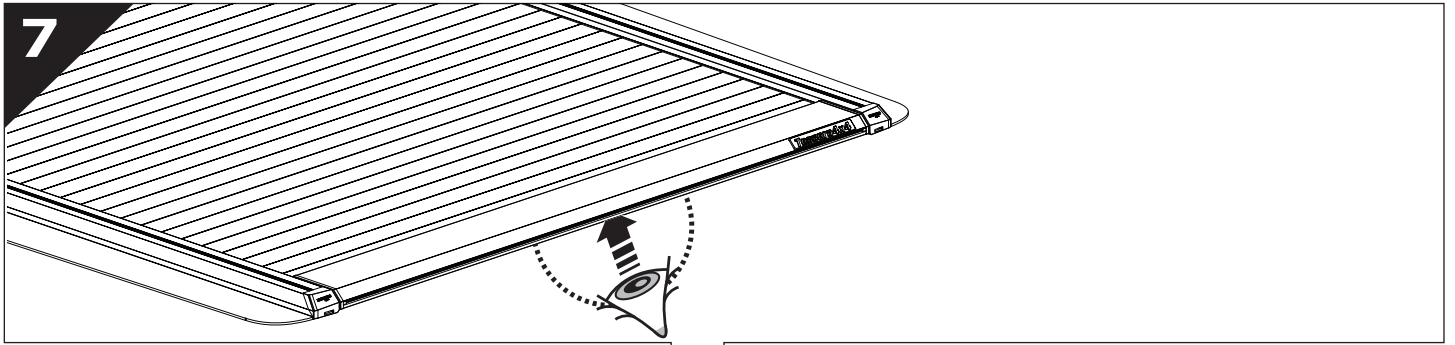
4



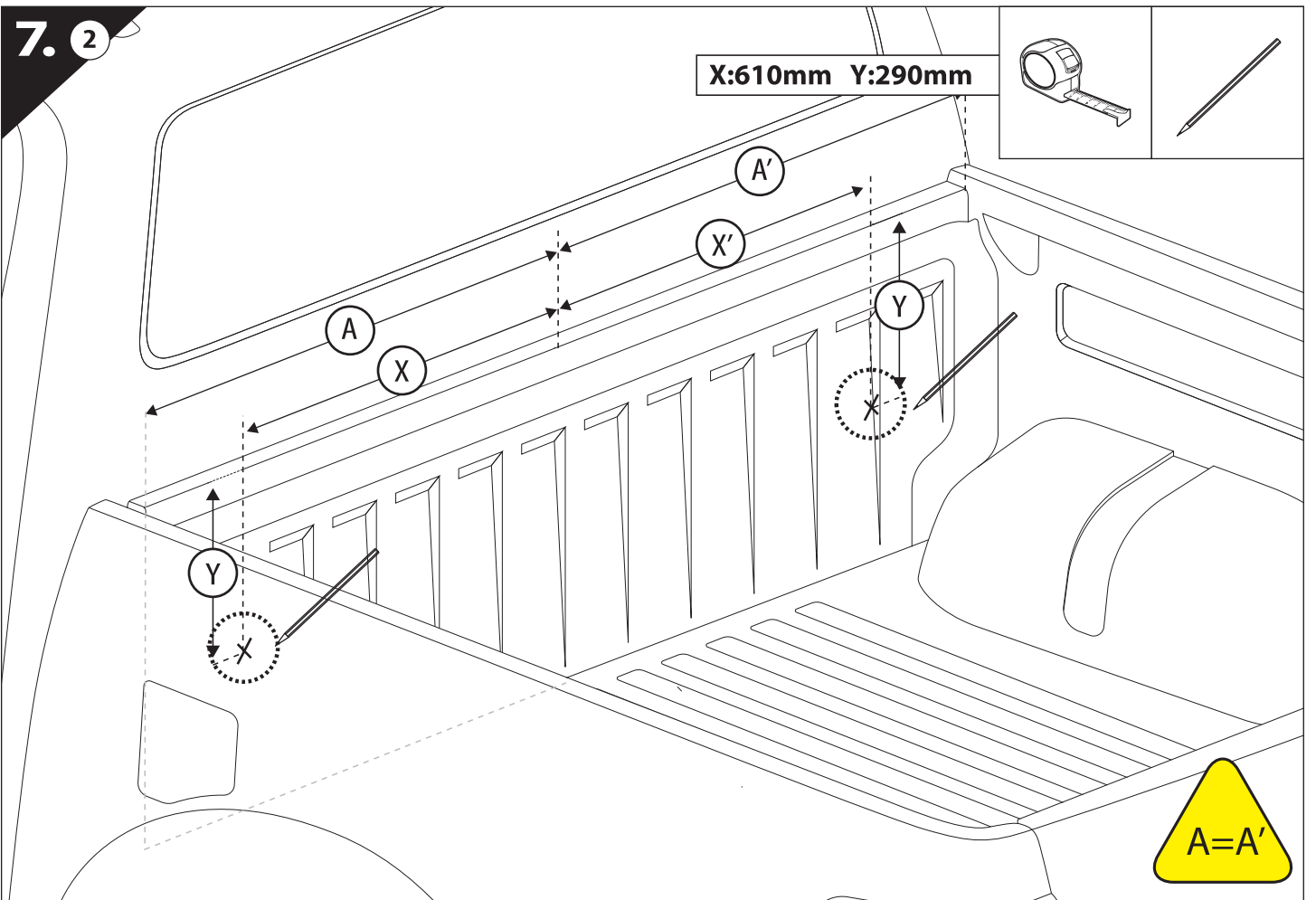
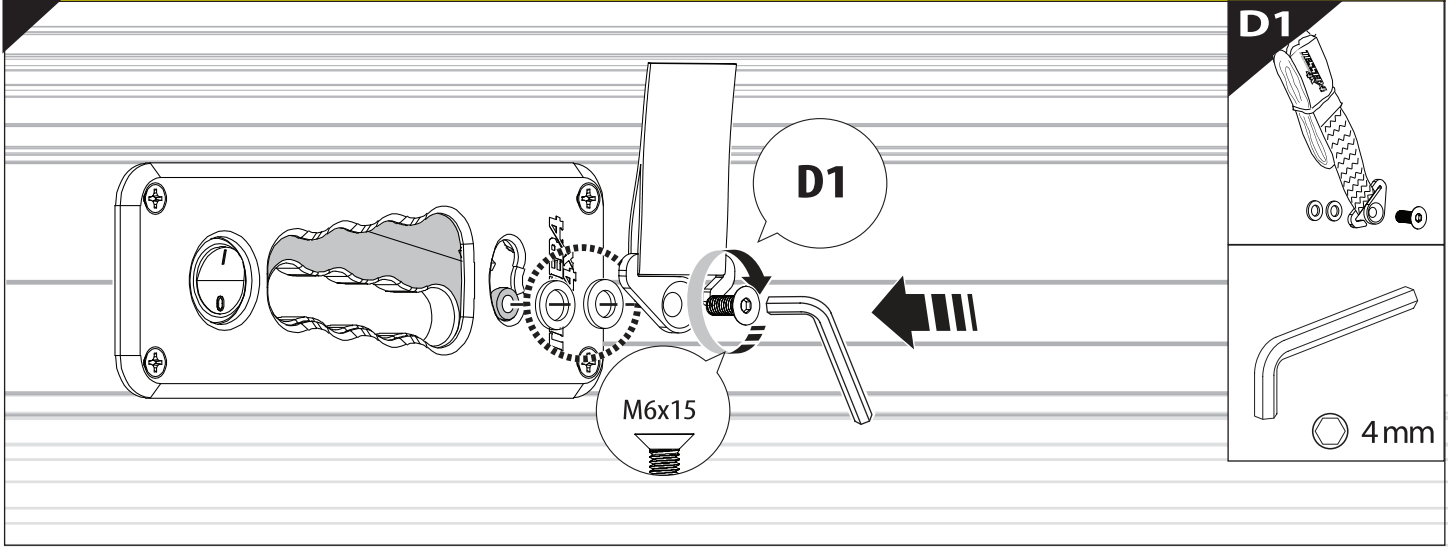


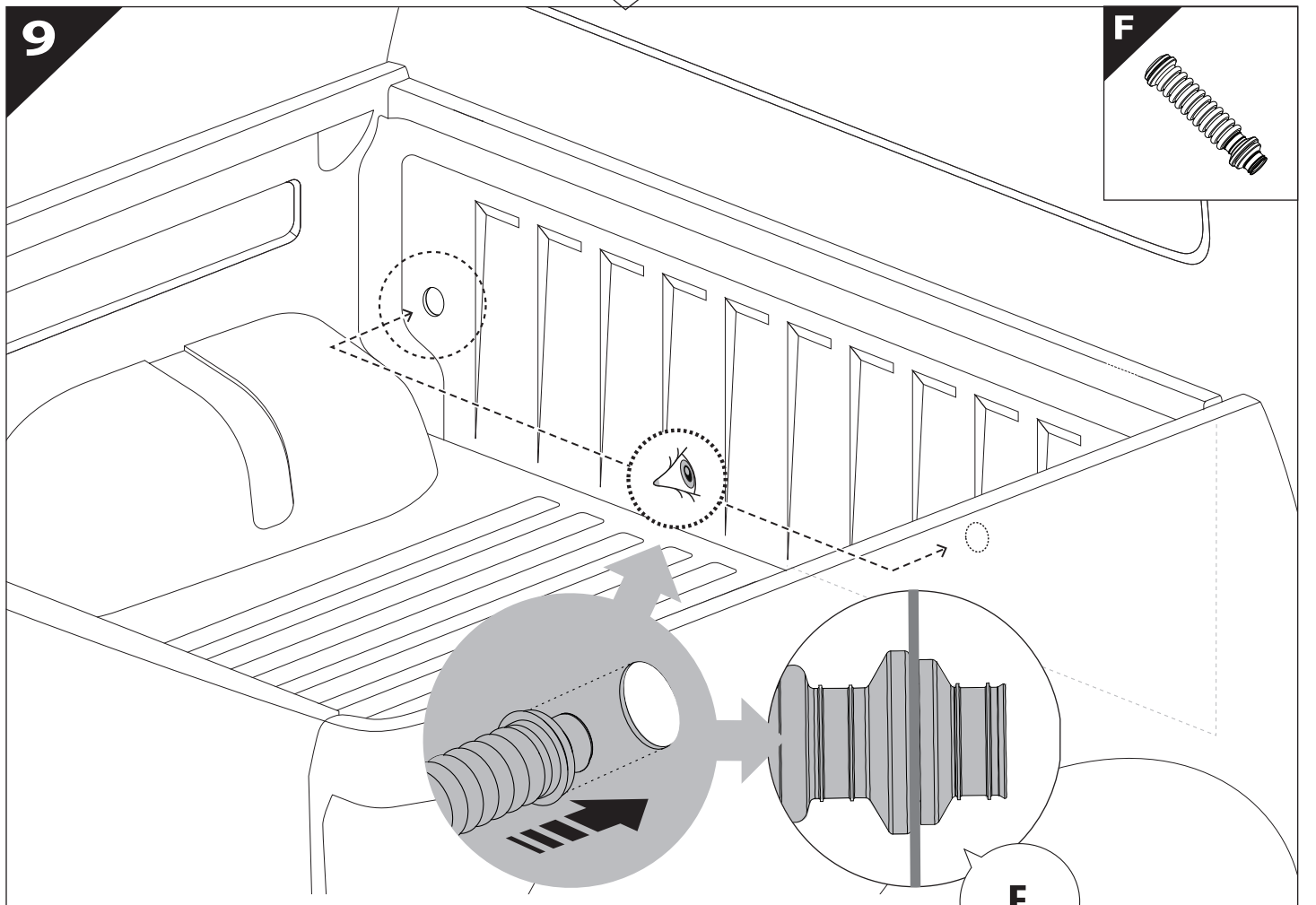
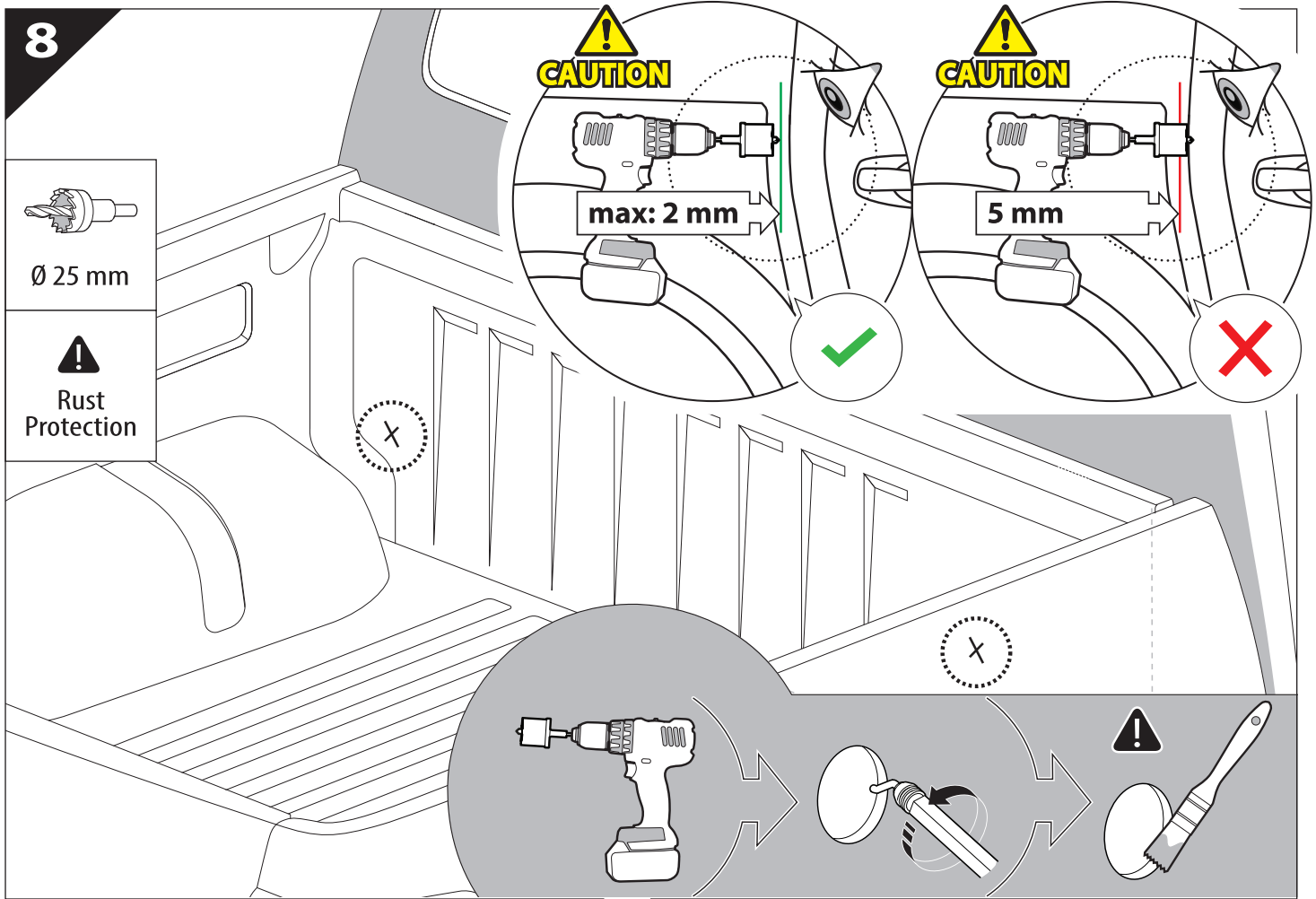
6.1

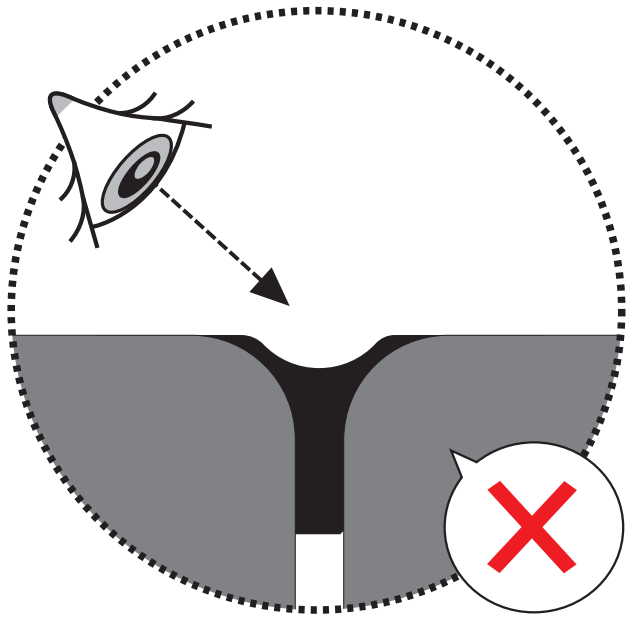
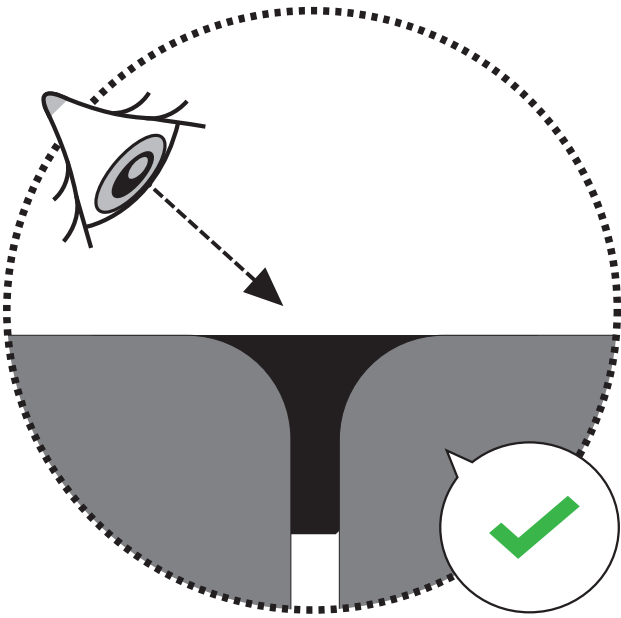
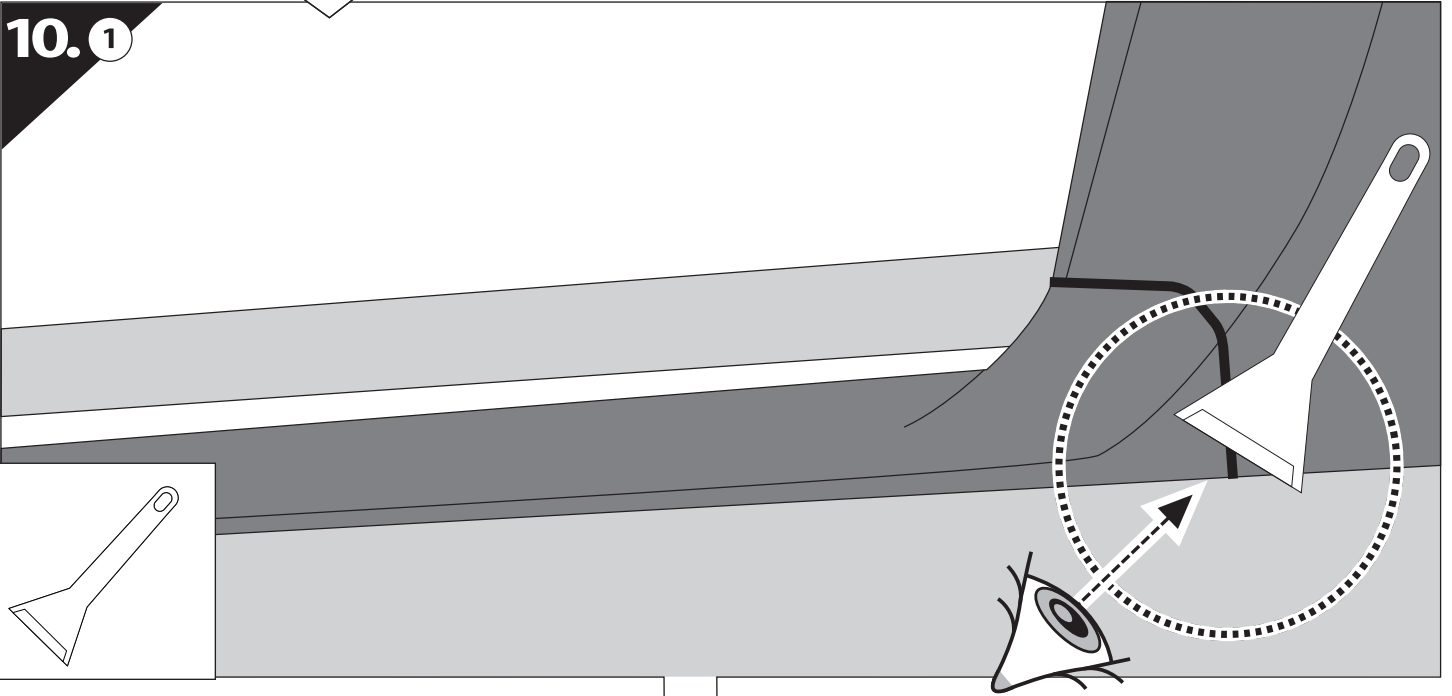
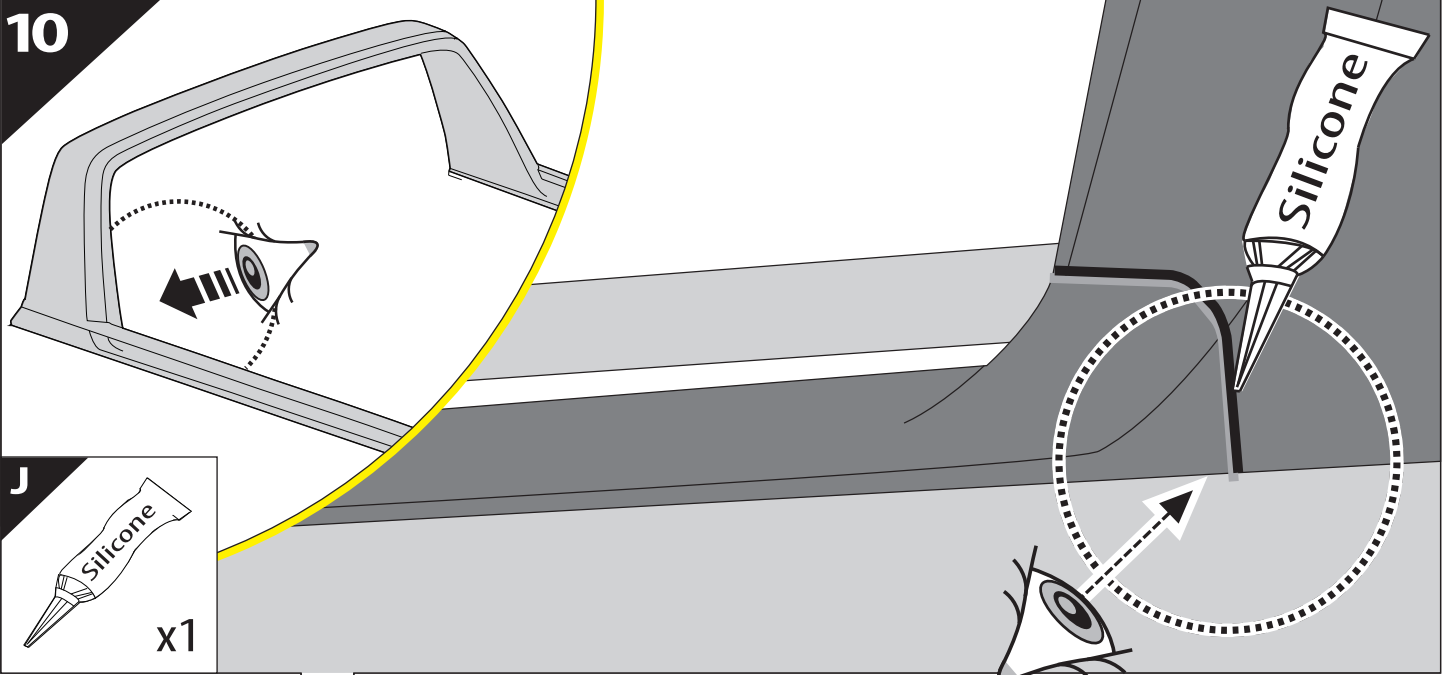


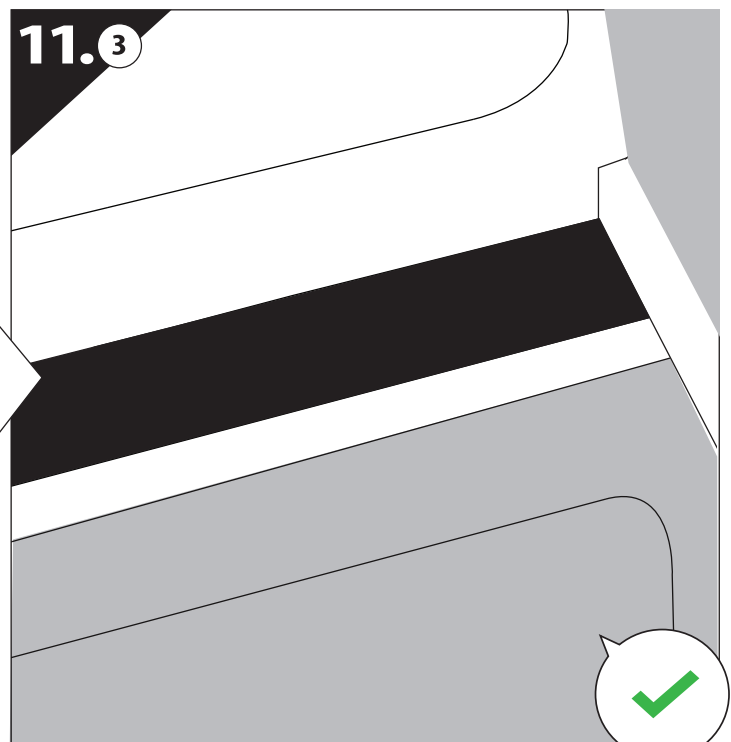
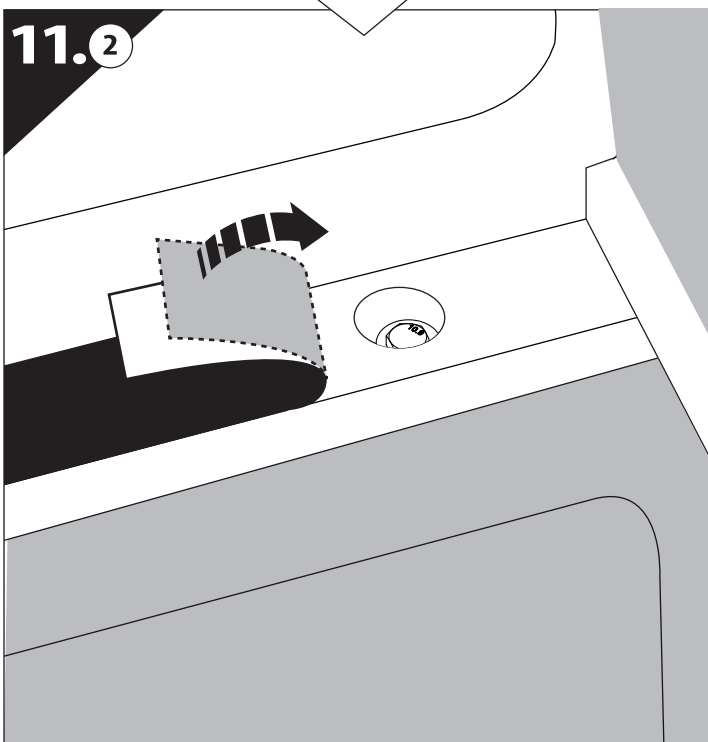
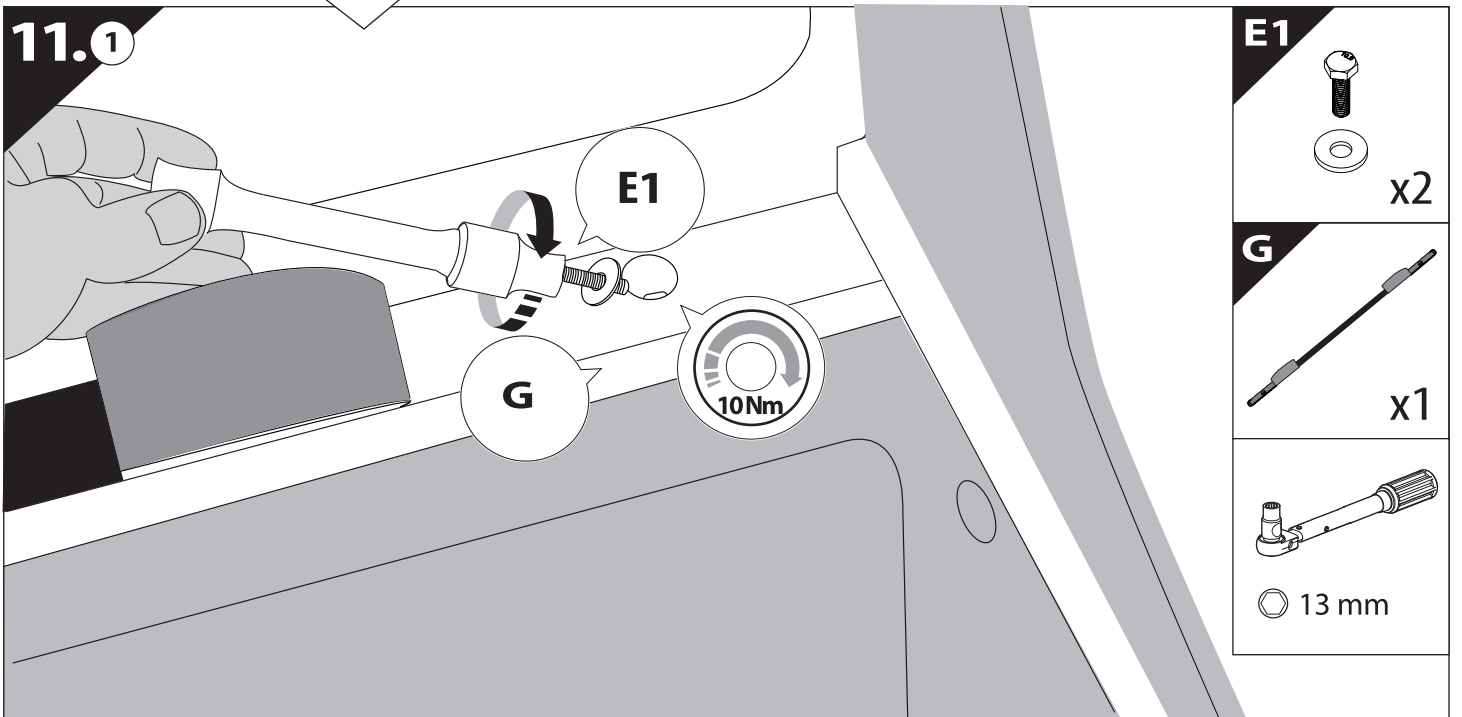
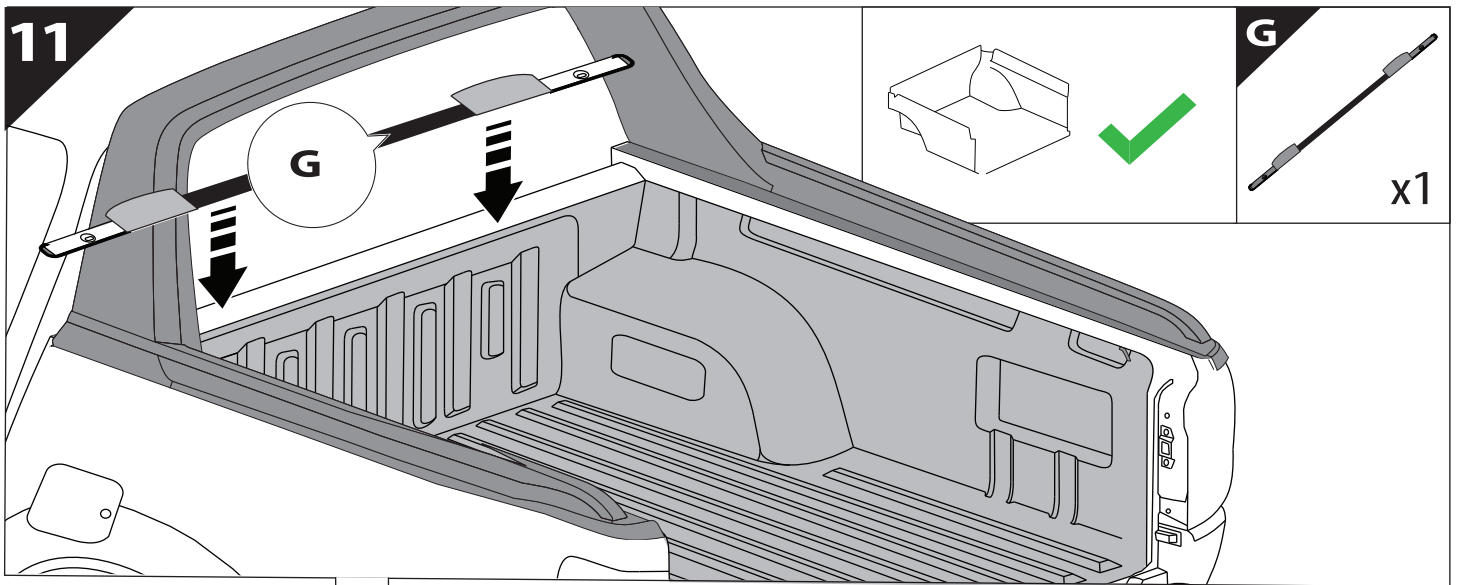


7.1 **CAUTION** Basic Version ✓ & Basic+S-KIT Version ✓



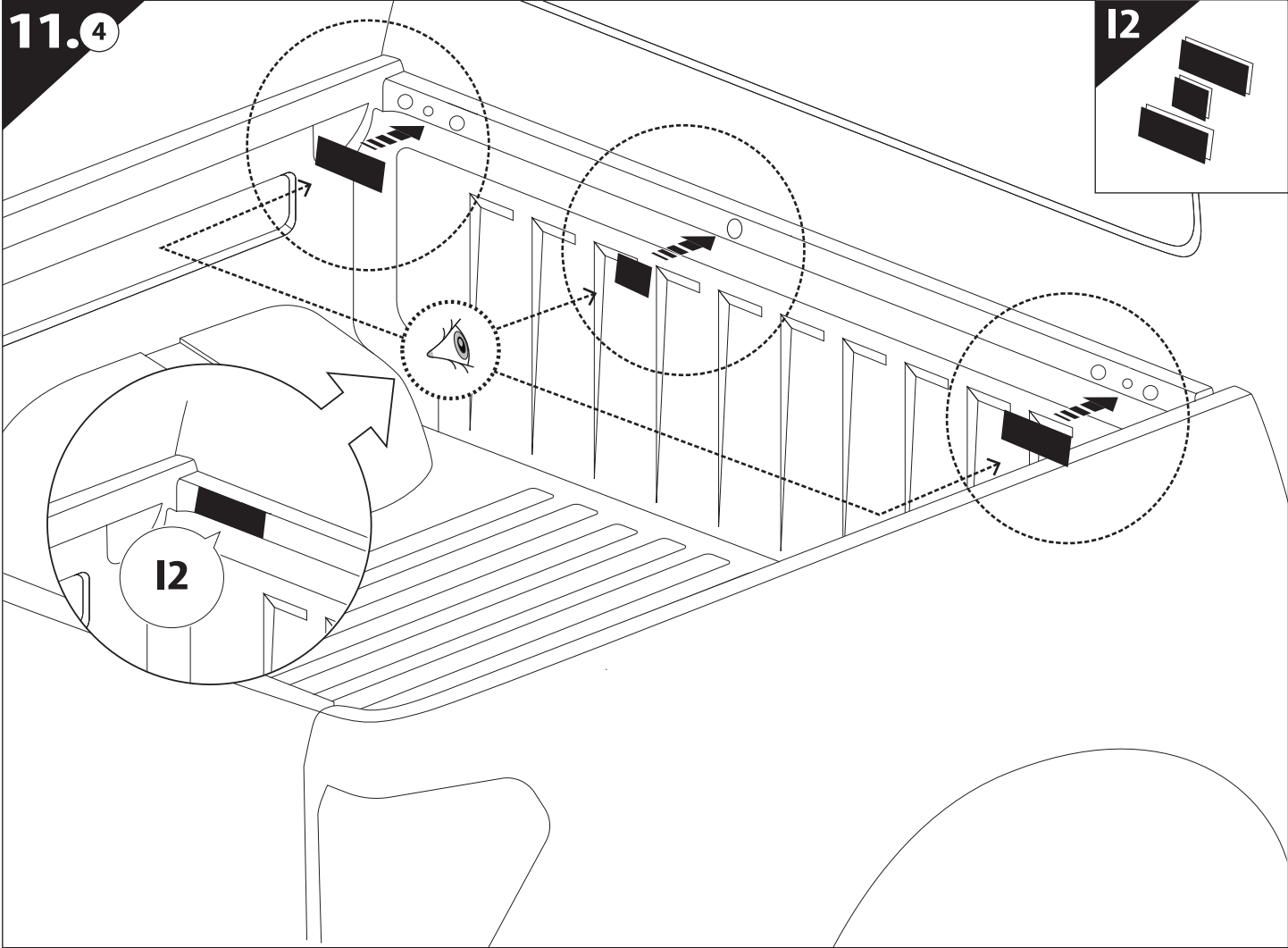


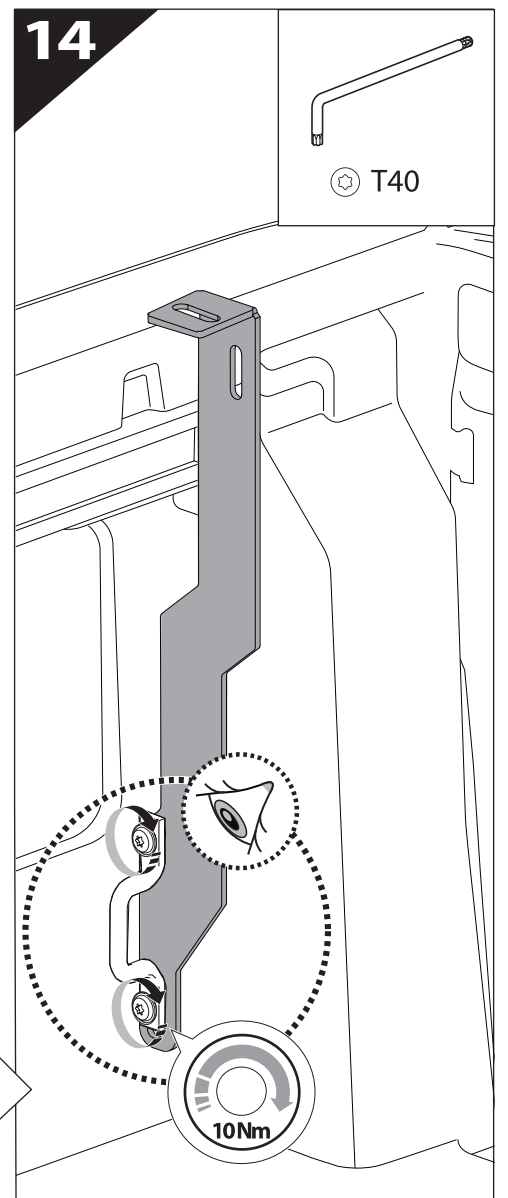
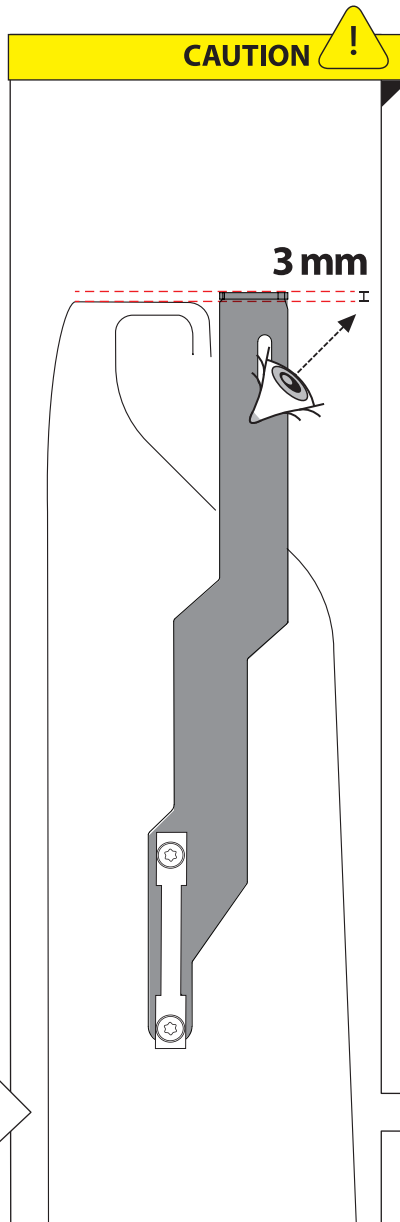
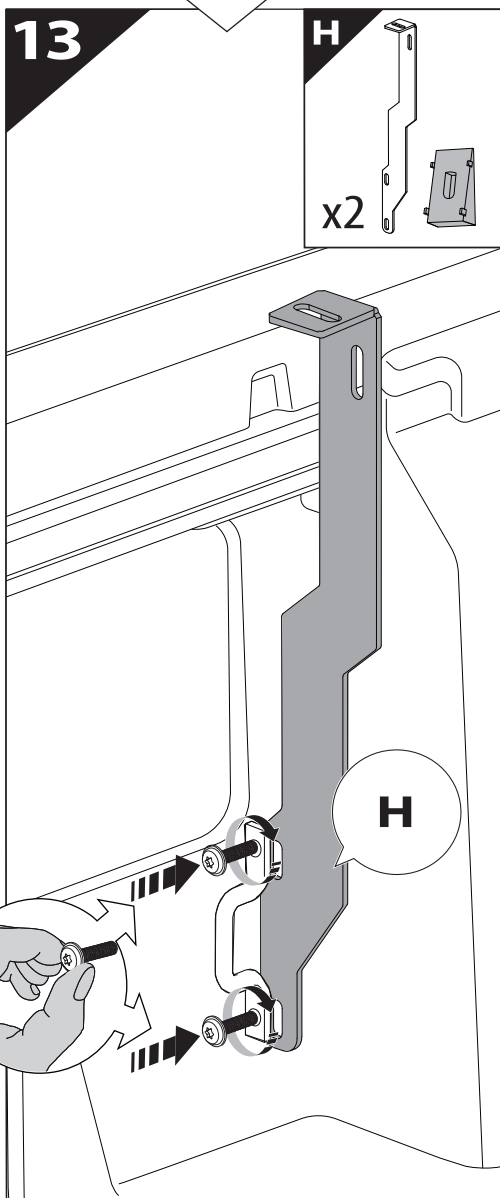
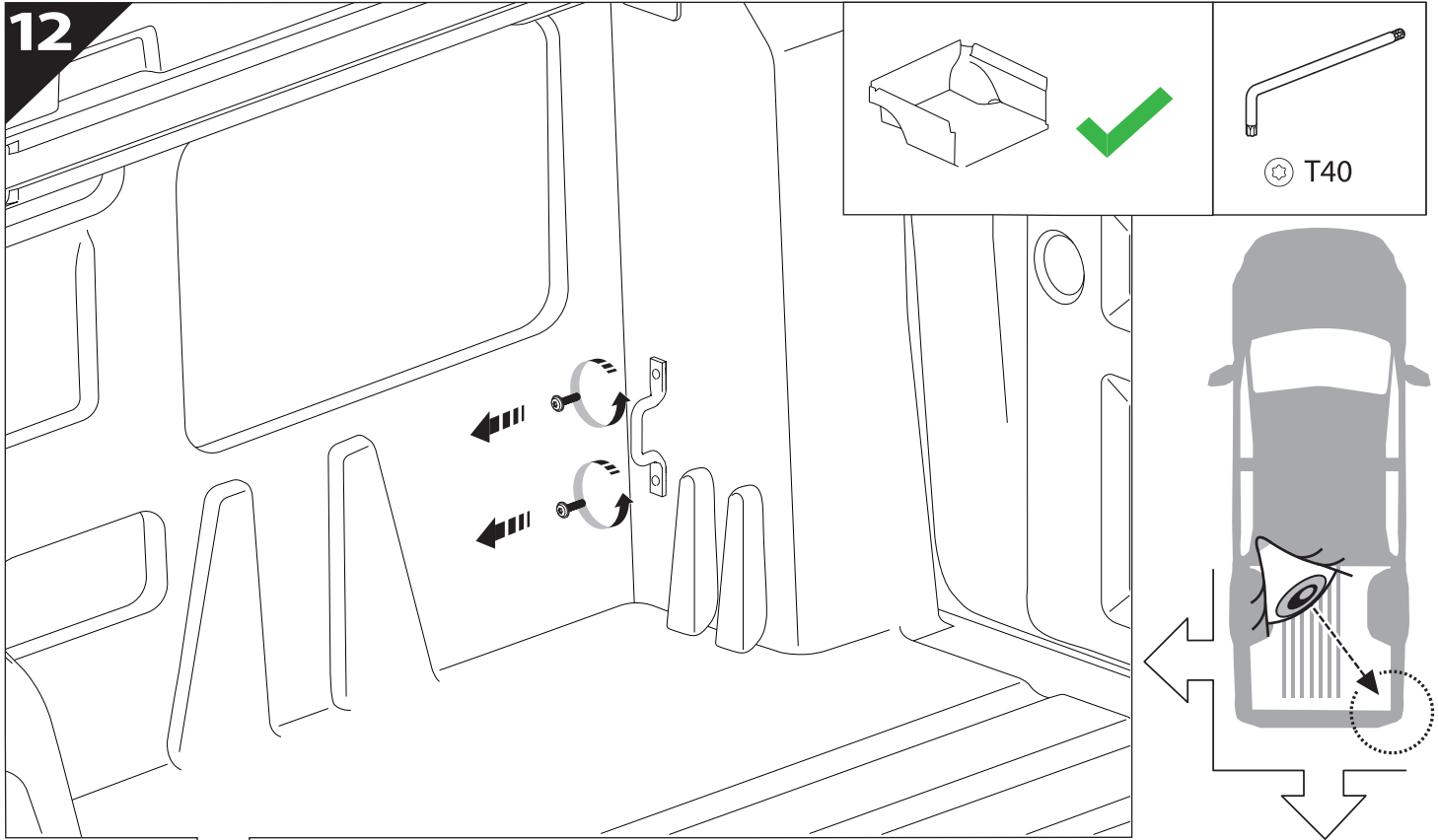




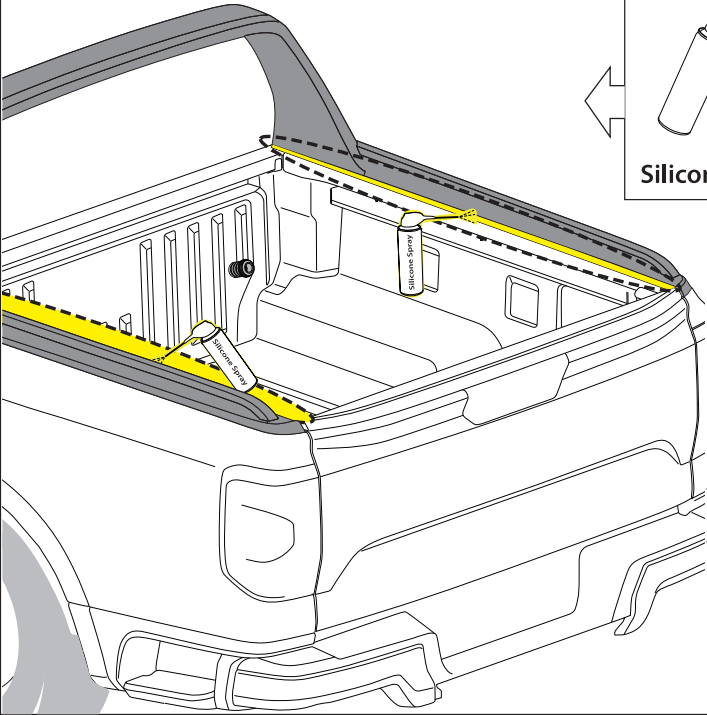
11.4

12

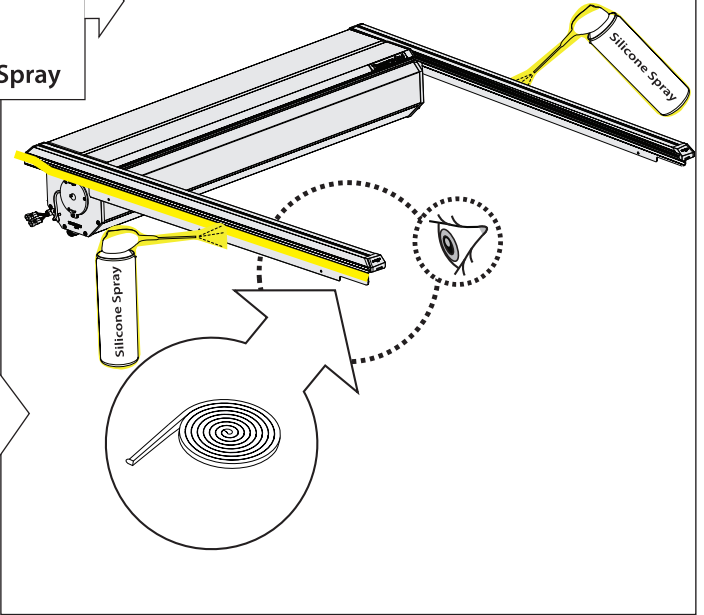
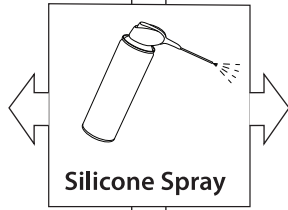




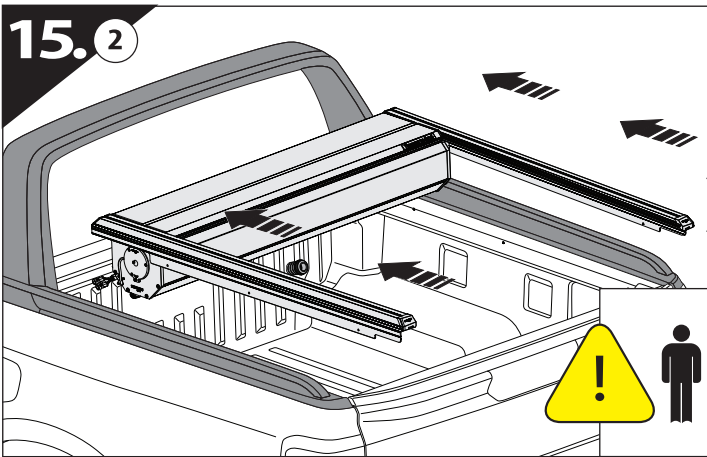
15



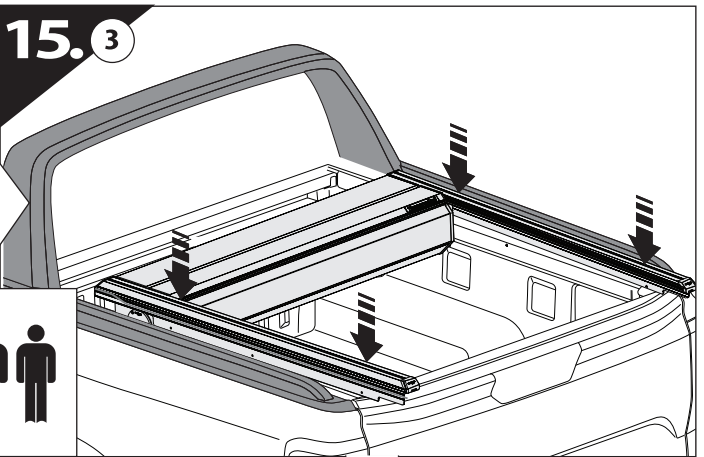
15.1



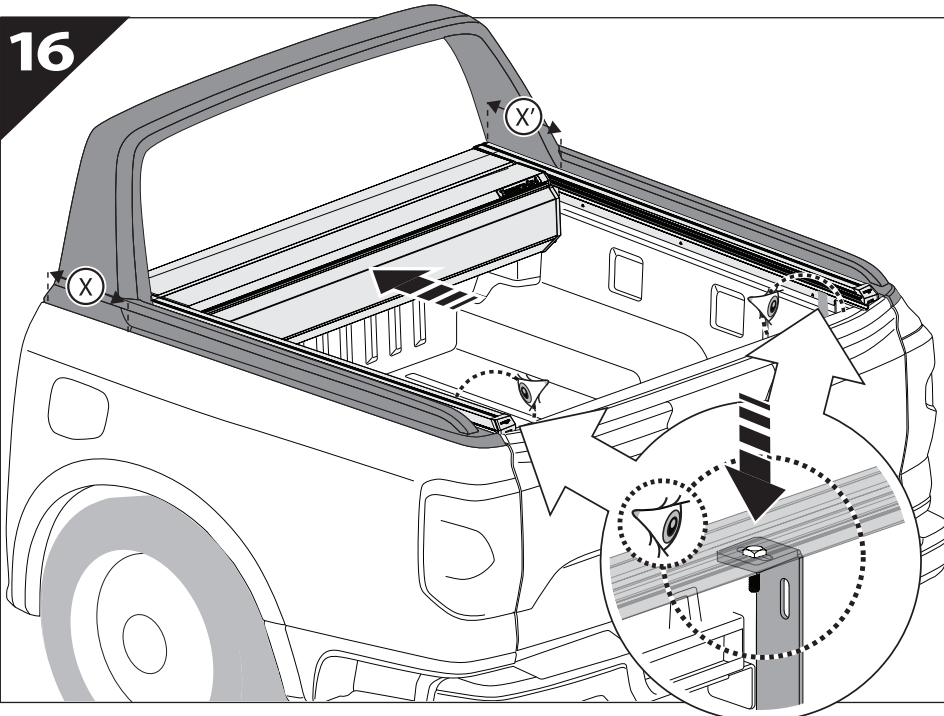
15.2

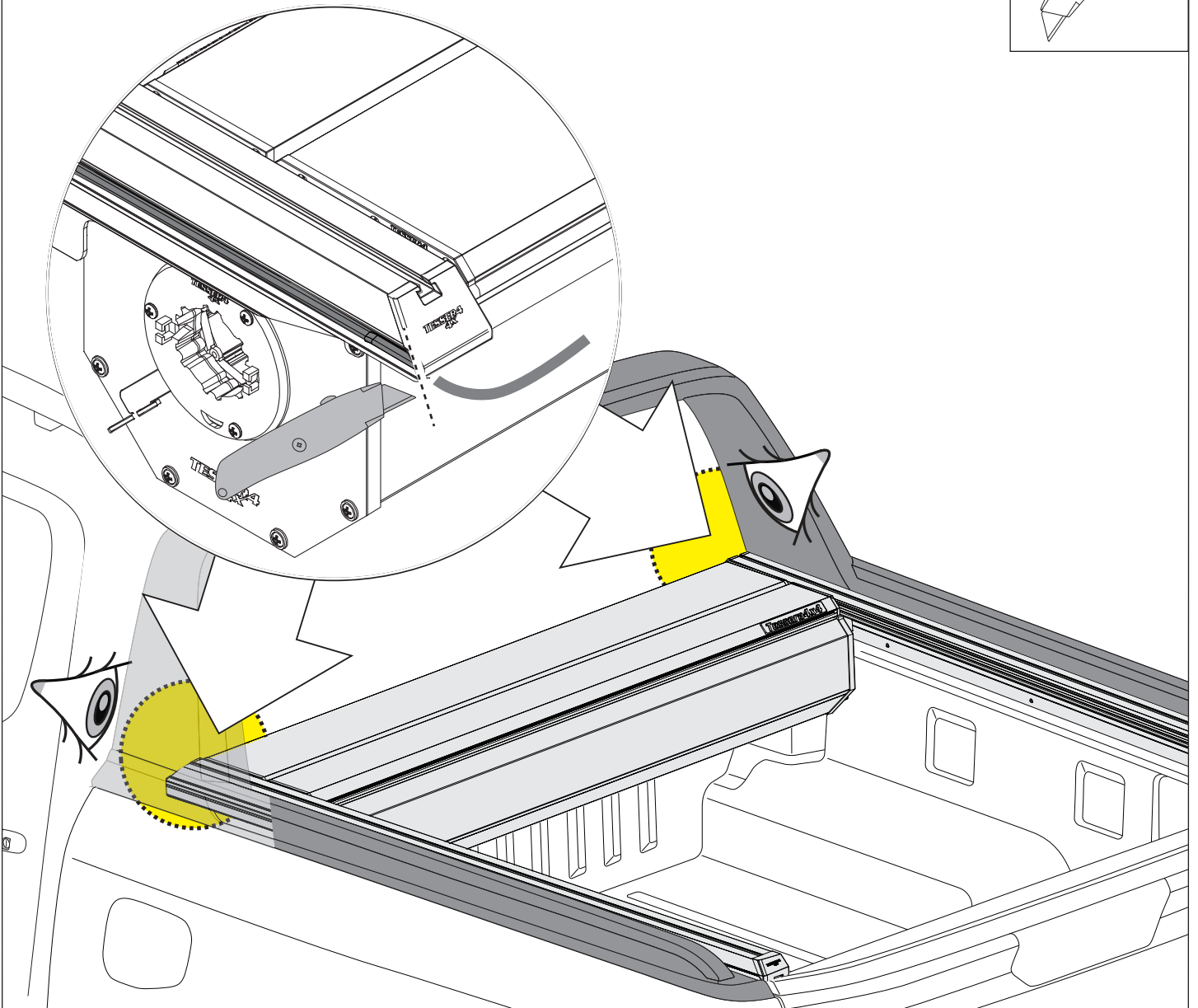
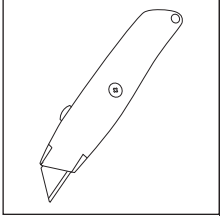


15.3

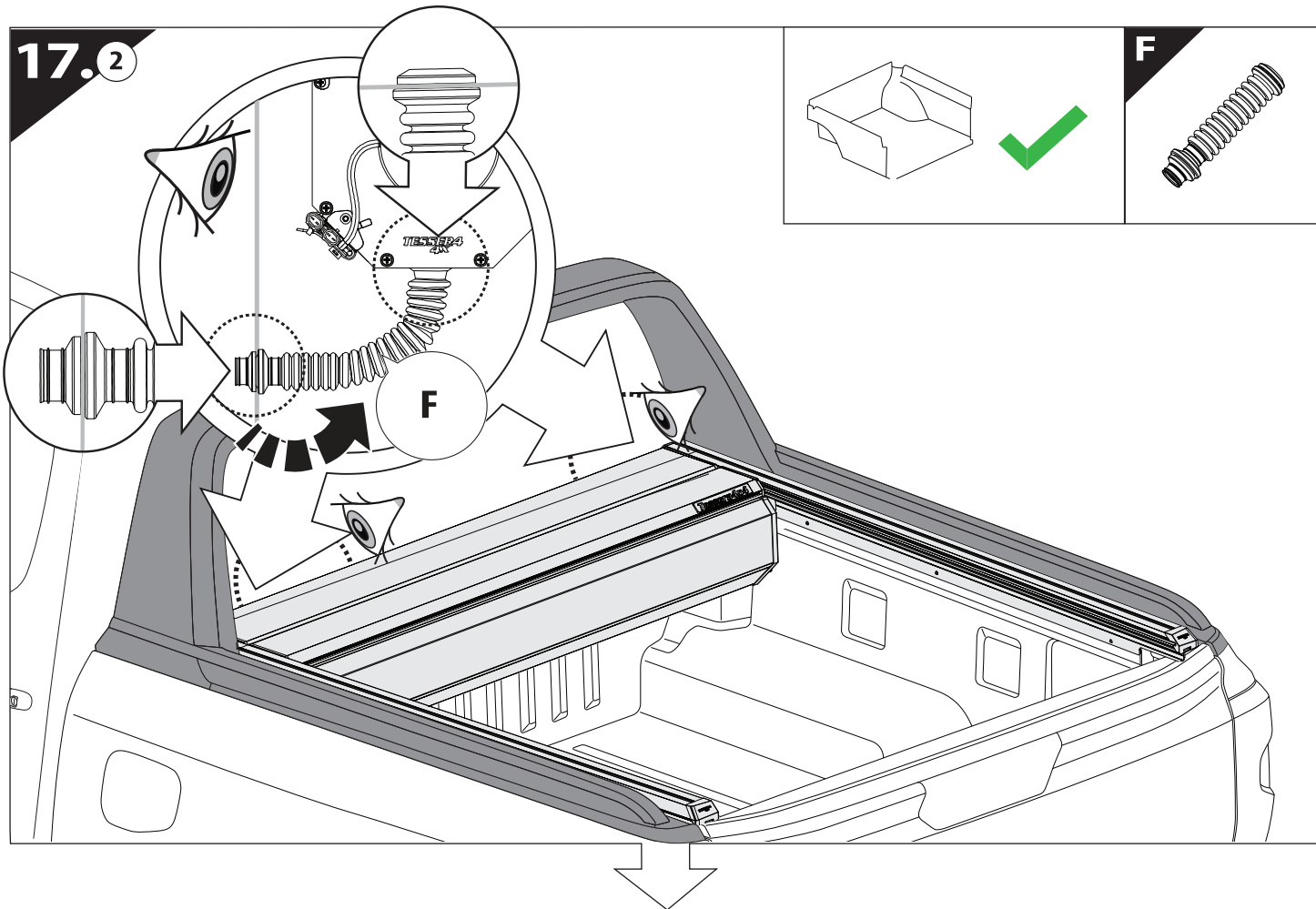


16

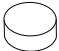








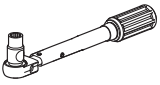
17.2



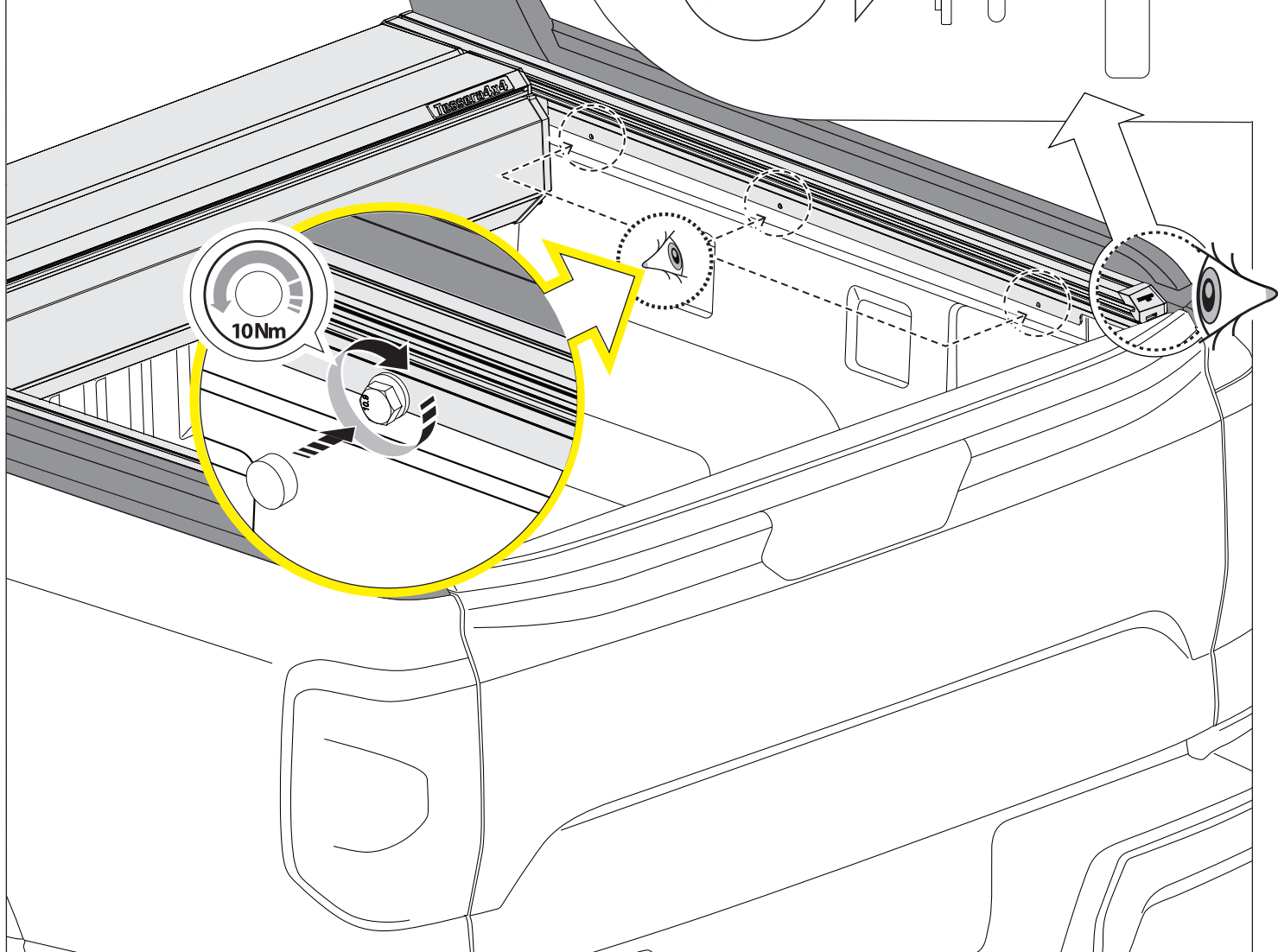
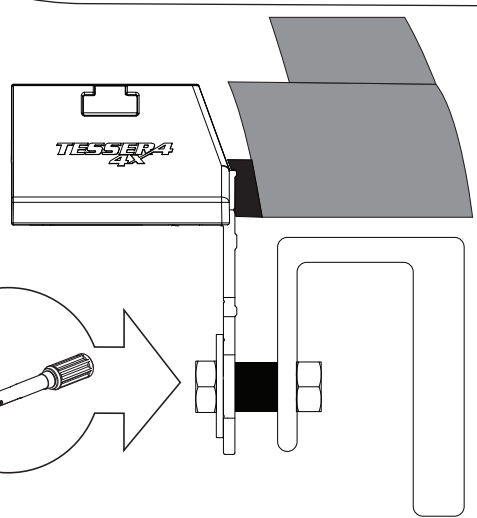
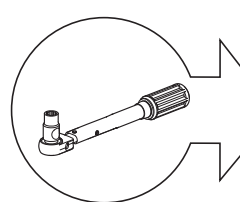
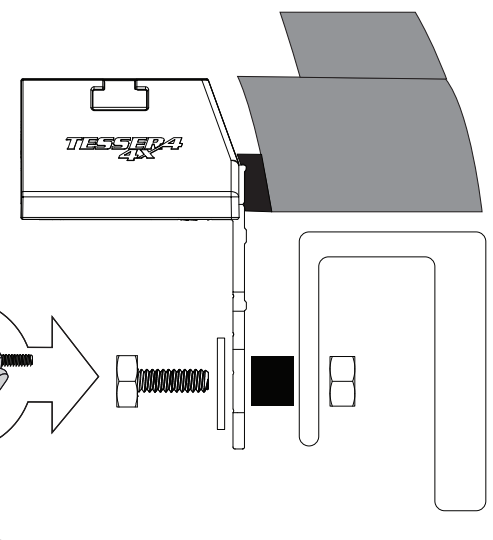
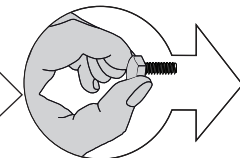
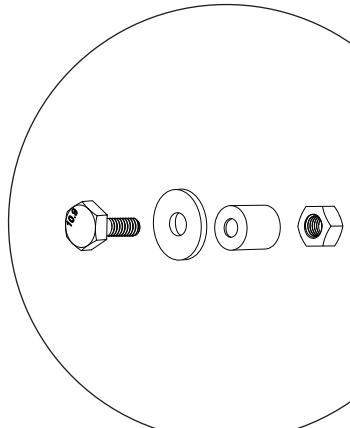
E2

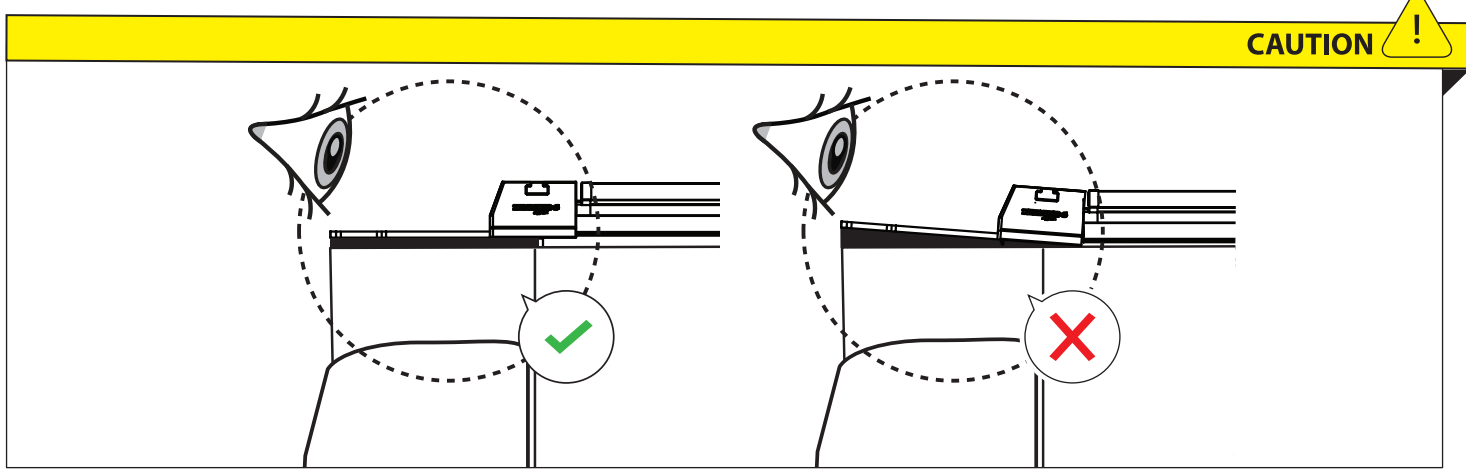
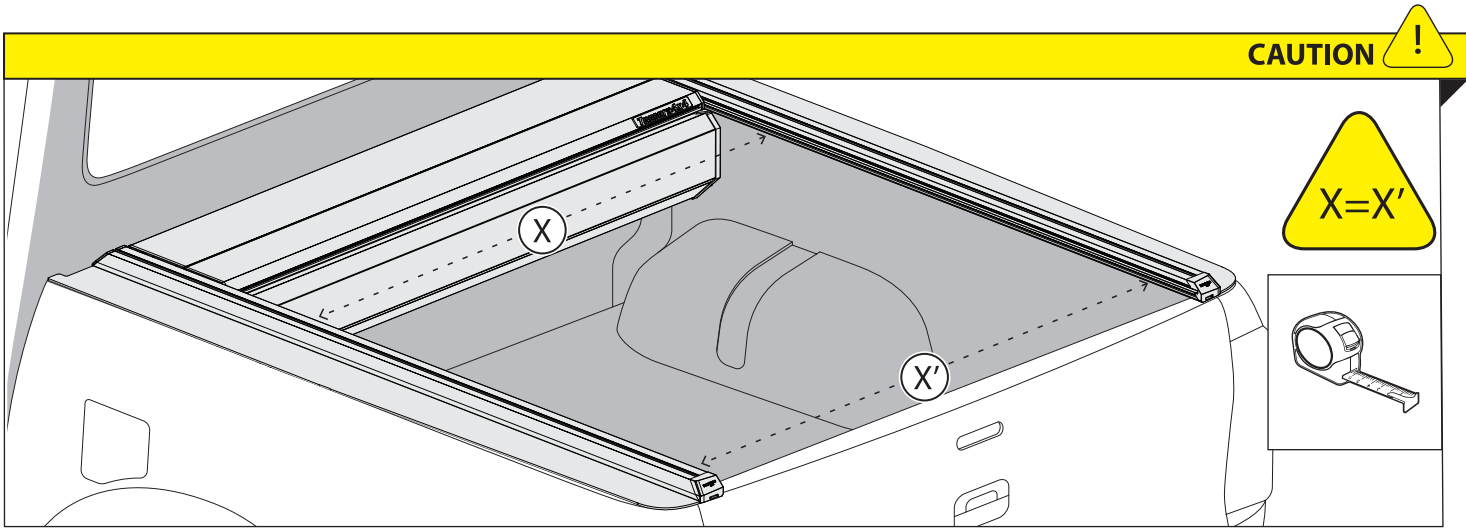
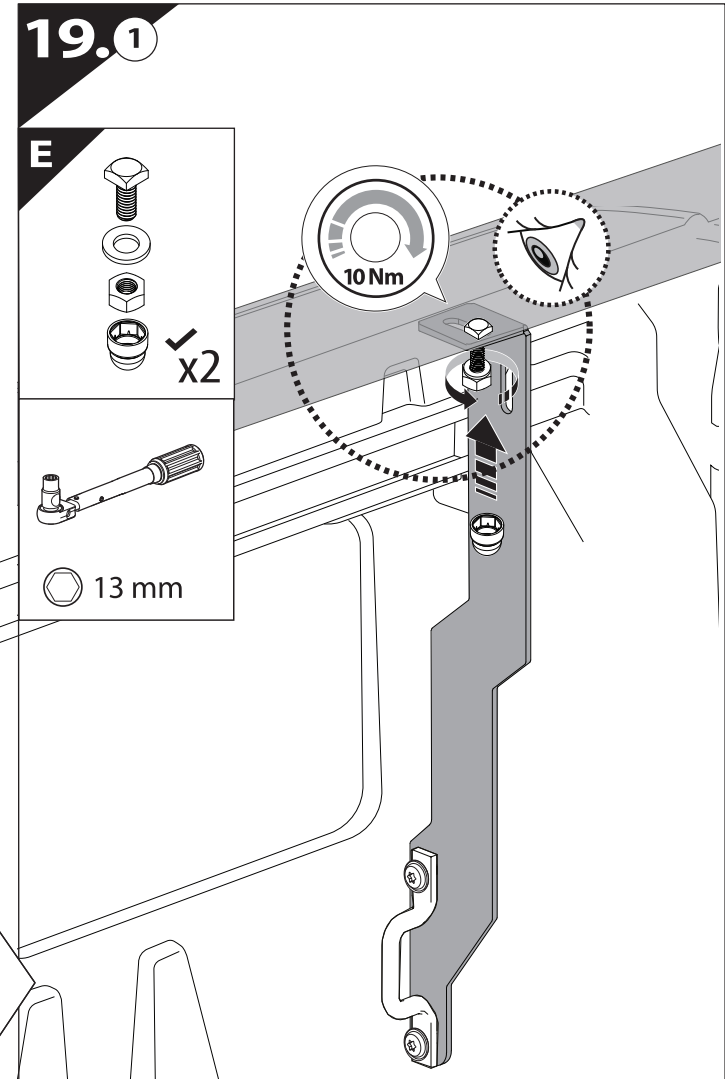
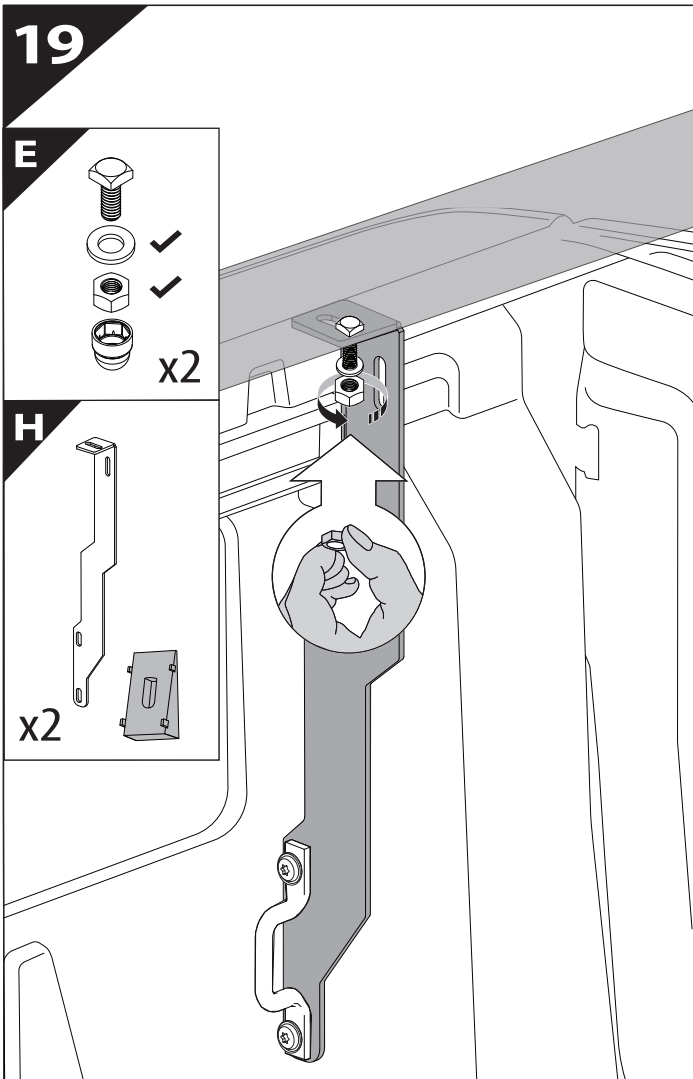
-  ✓
-  ✓
-  ✓
-  ✓
-  ✓

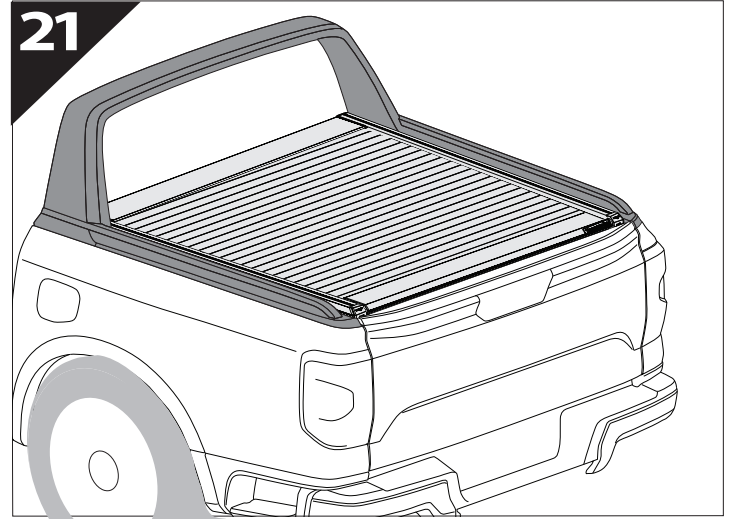
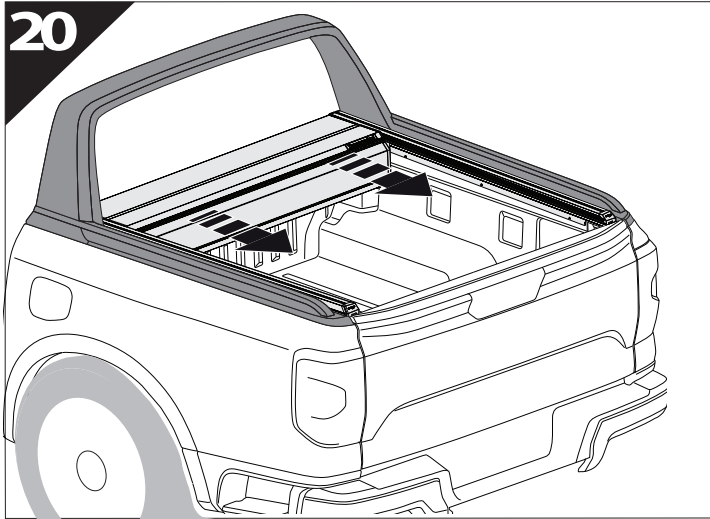
x6



10 mm







GR: Οδηγίες Εγκατάστασης
GB: Installation manual
SF: Asennusohje
F: Notice de montage
PL: Instrukcja montażu
NL: Installatie-instructies
TR: Montaj Talimatı
S: Monteringsanvisning
E: Instrucciones de montaje

H: Szerelési utasítás
P: Instruções de instalação
RUS: Инструкция по установке
N: Monteringsveiledning
D: Einbauanleitung
CZ: Návod k instalaci
I: Istruzioni de montaggio
DK: Monteringsvejledning
RO: Instructiuni de instalare

Customer Service:

+30 (210) 5541161, +30 (210) 5541154 (08:00 - 16:00 EET)

Support department:

info@gianso.gr

Website:

www.tessera4x4.com

Address:

19.5 km of National road Athens-Korinthos (Elefsina) Greece, P.C: 19200