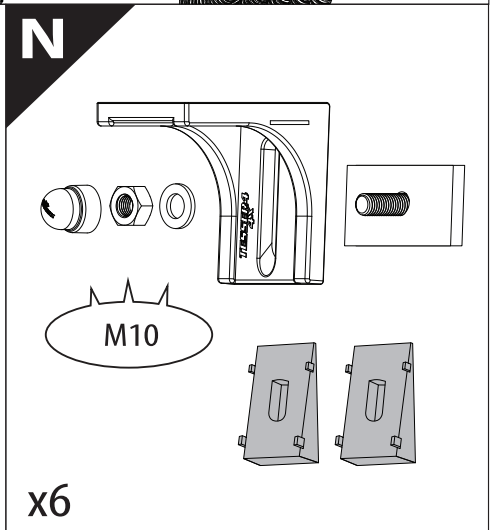
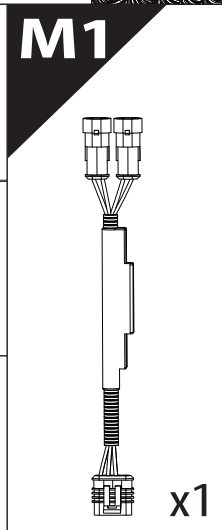
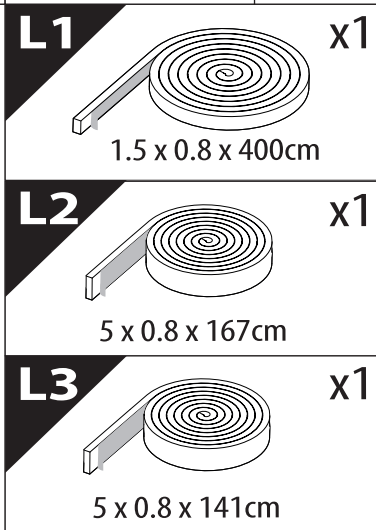
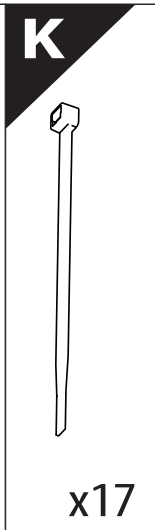
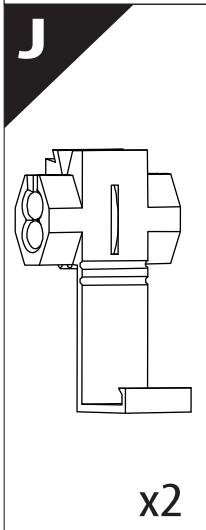
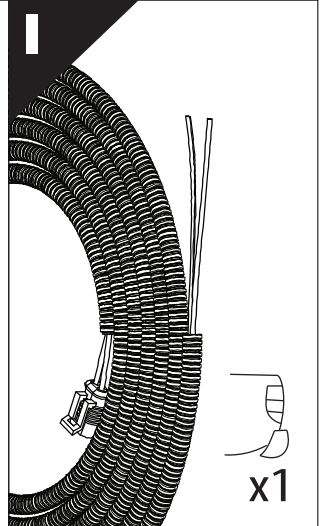
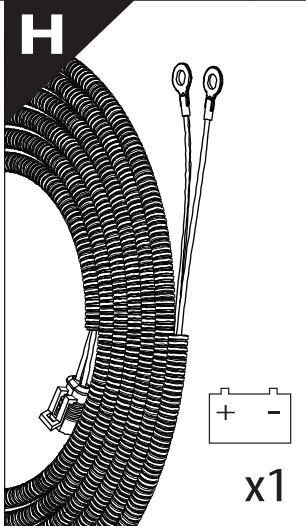
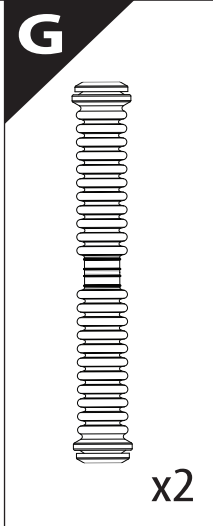
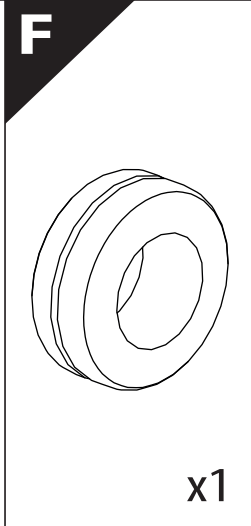
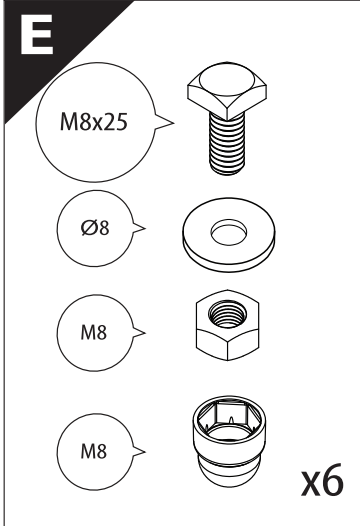
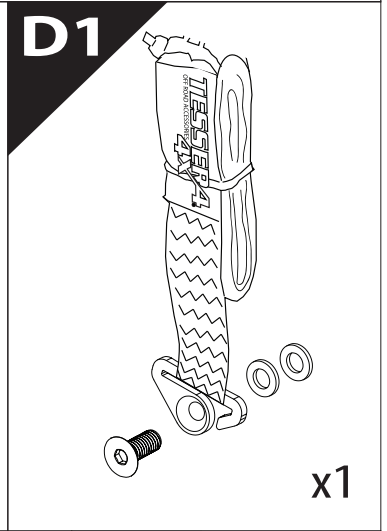
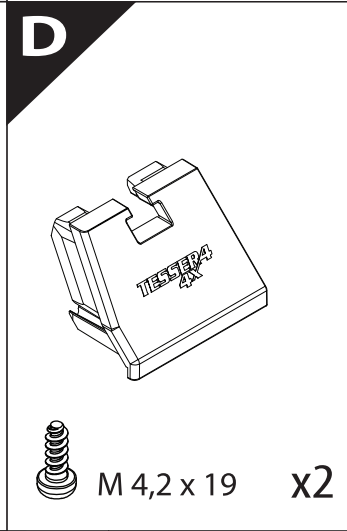
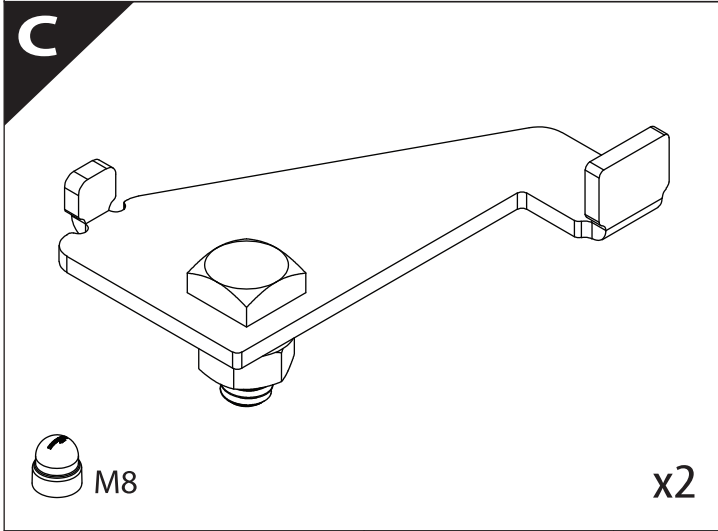
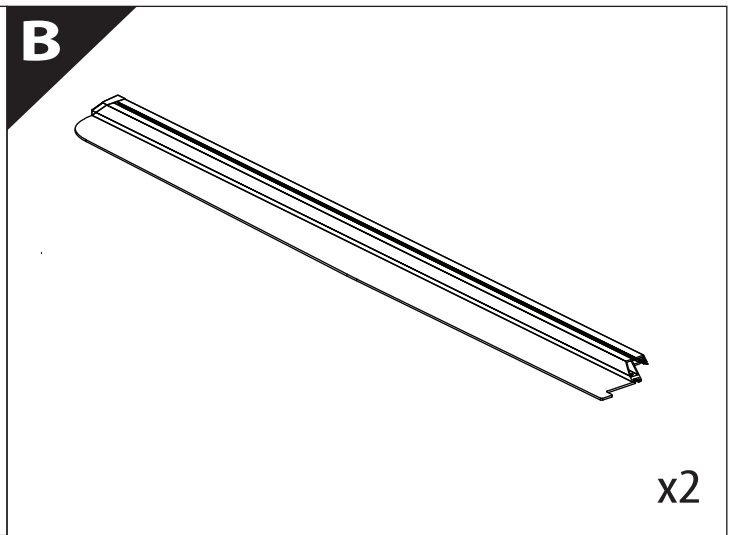
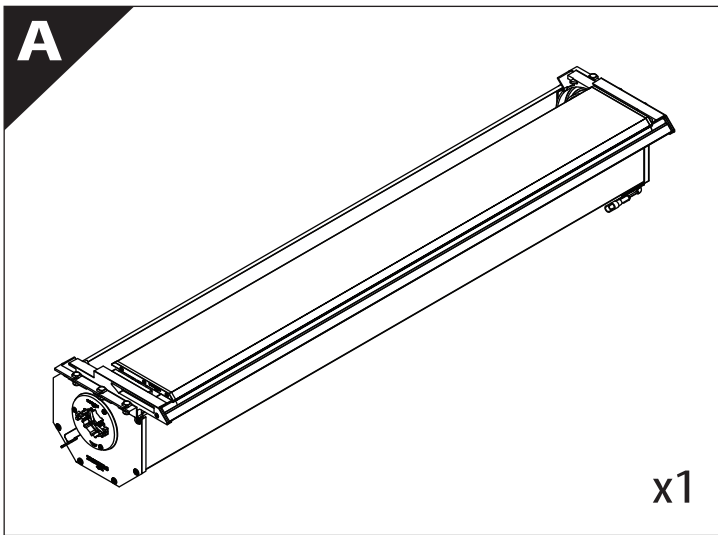
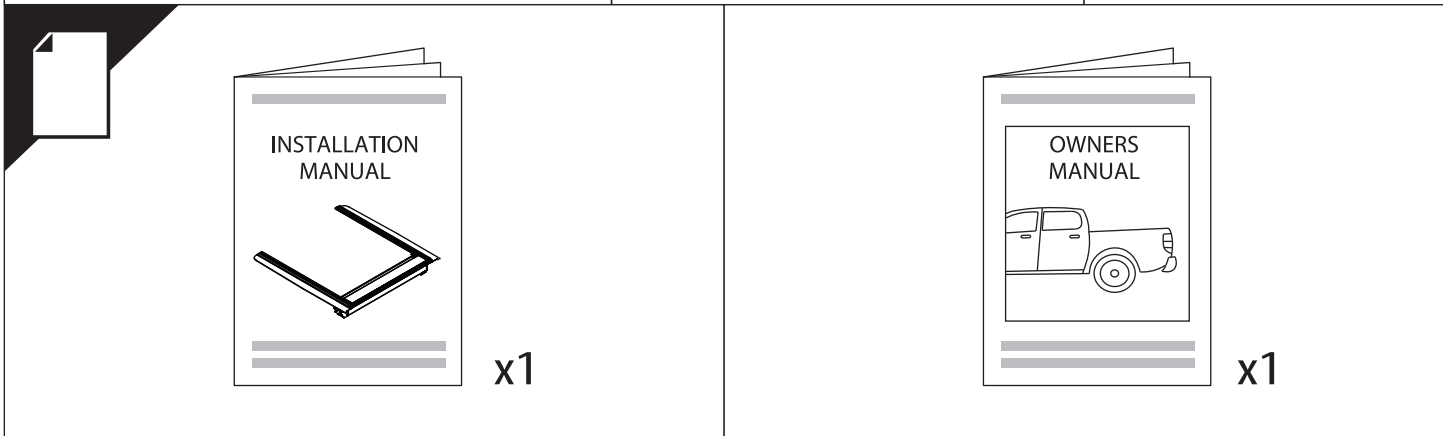
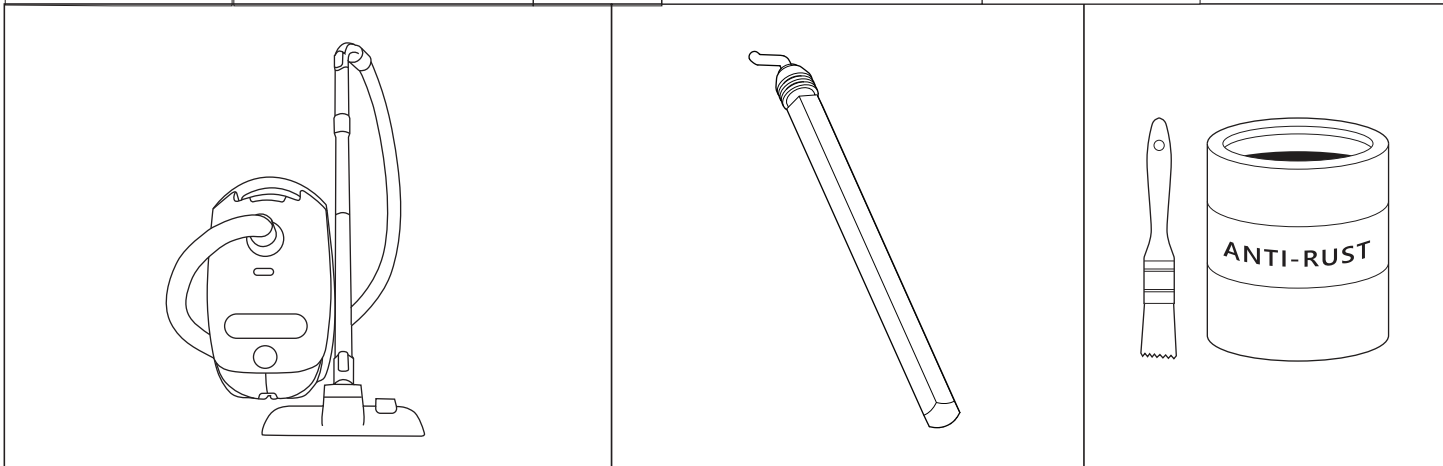
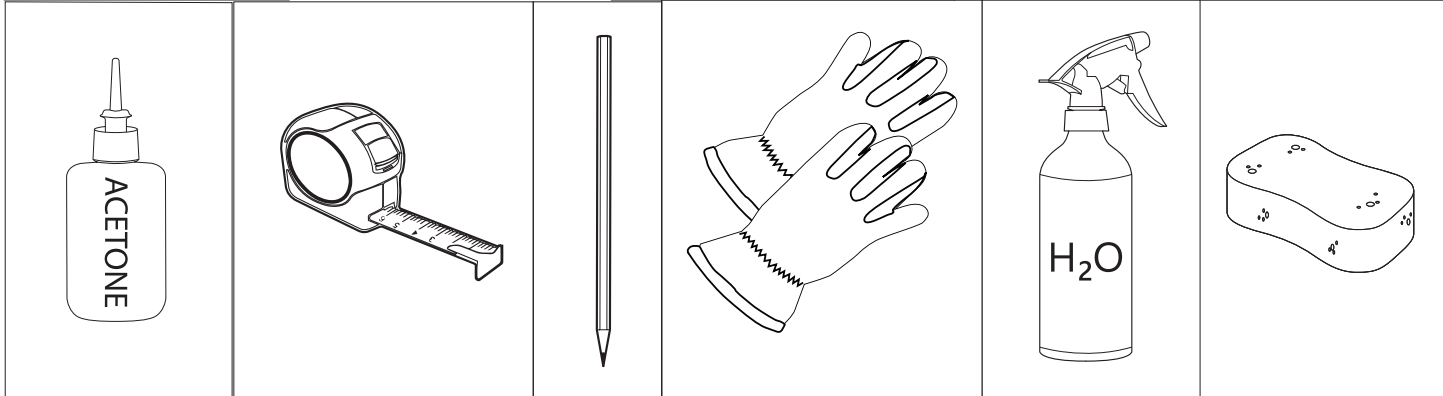
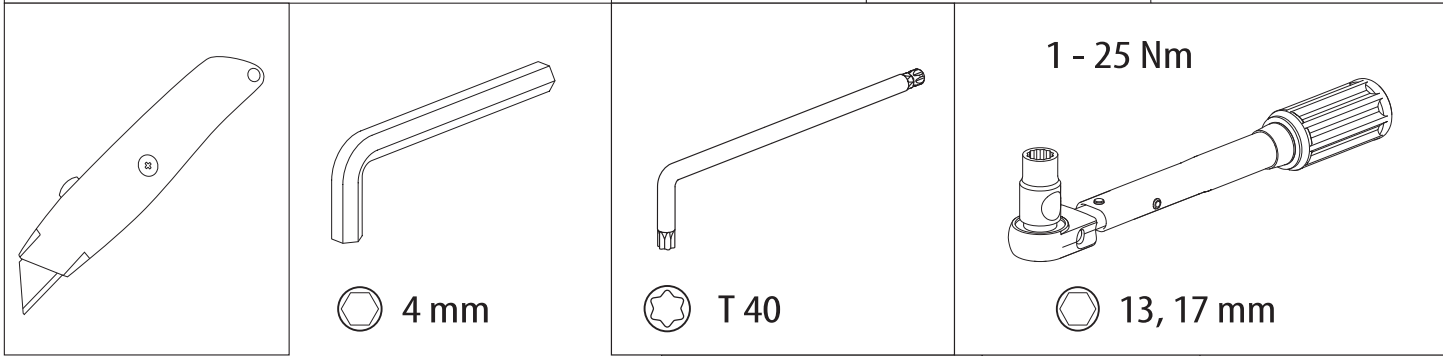
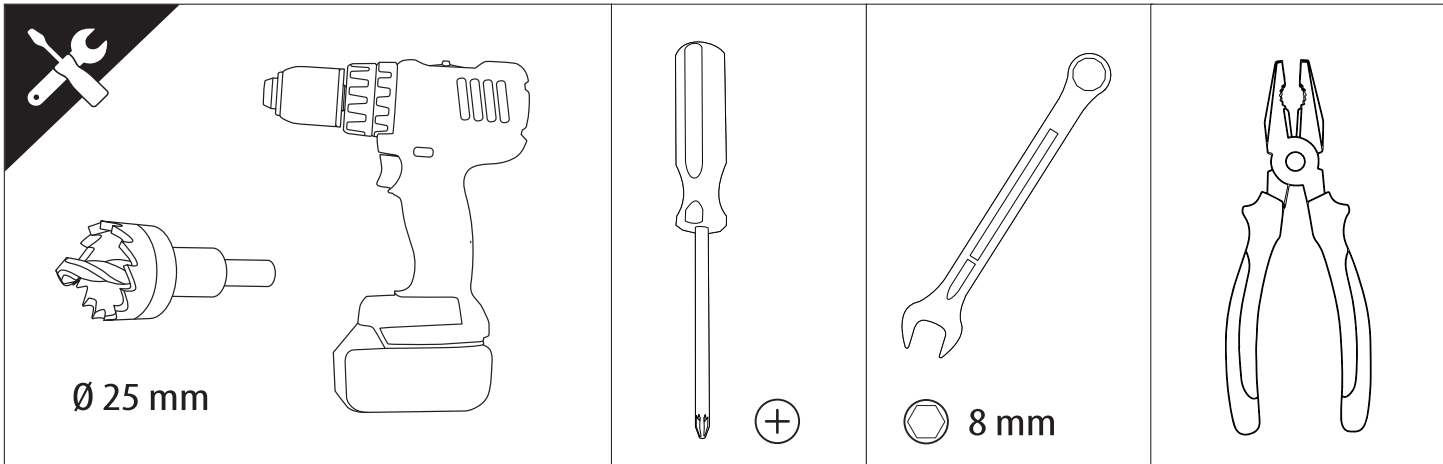
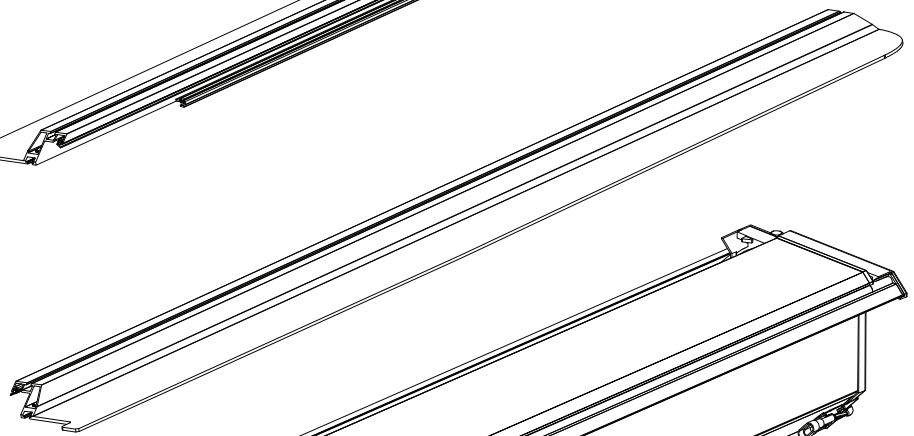
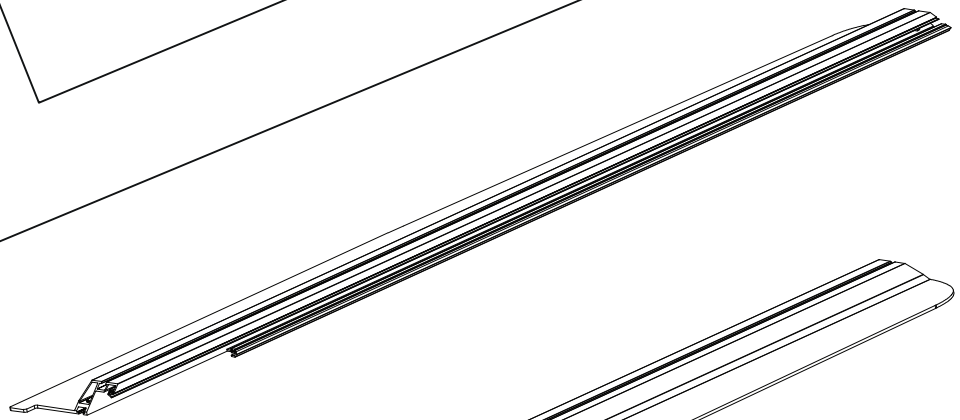
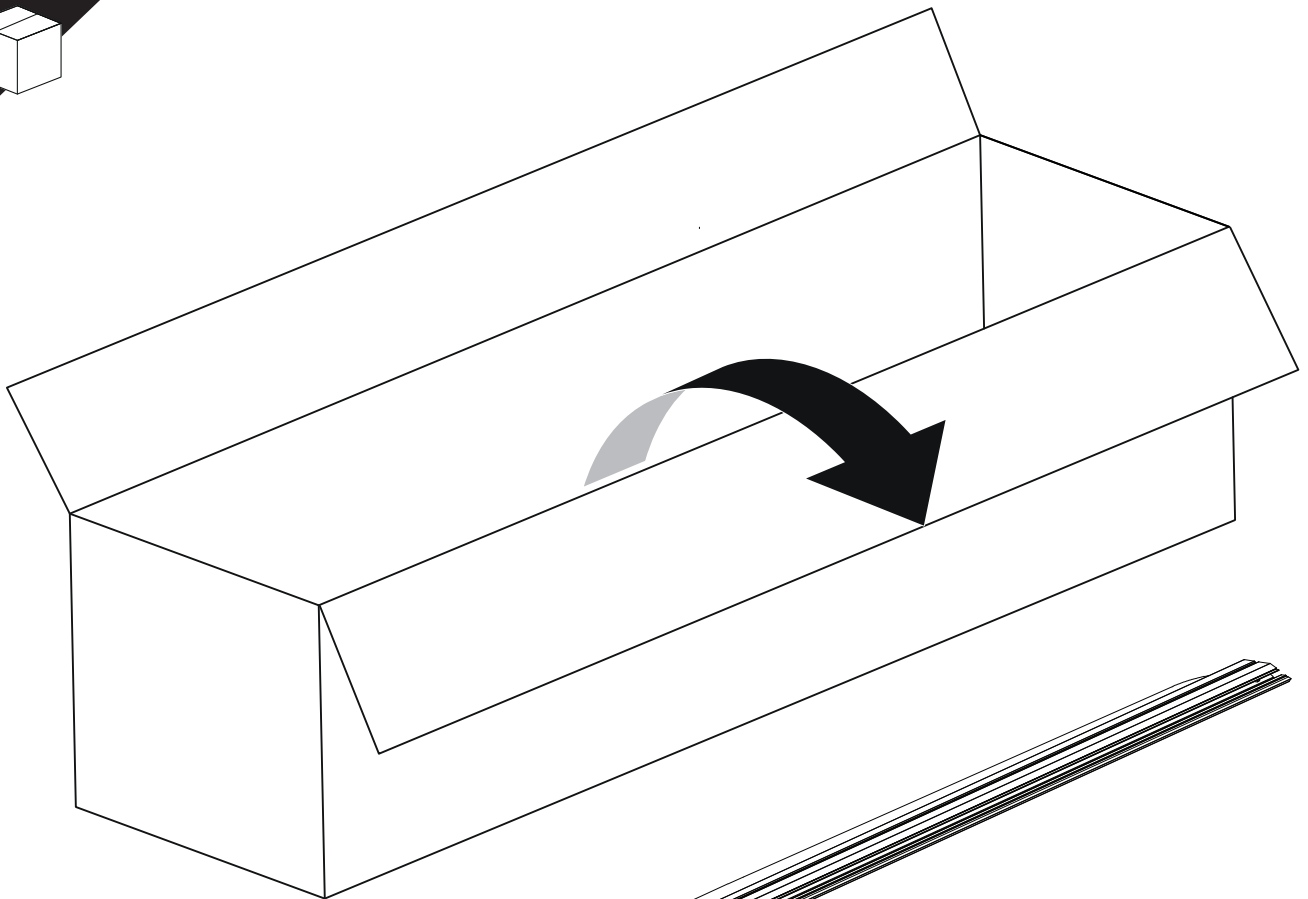


Installation Manual

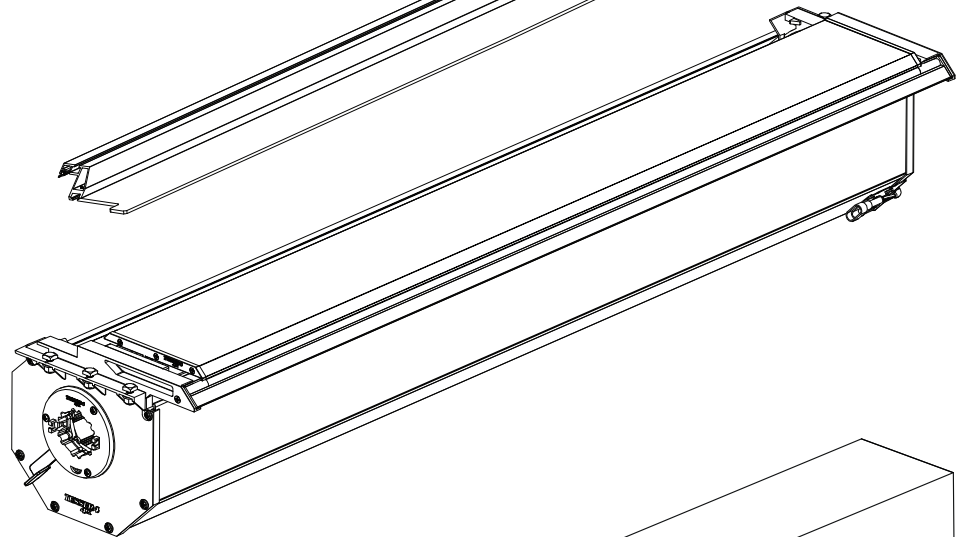
PART NUMBER(S)	Model Year
TESS 1422 ROLL	JEEP GLADIATOR (with c-channels)
Cab(s)	Installation Time / Weight
Double Cab	40-60 minutes / 53-57 kg





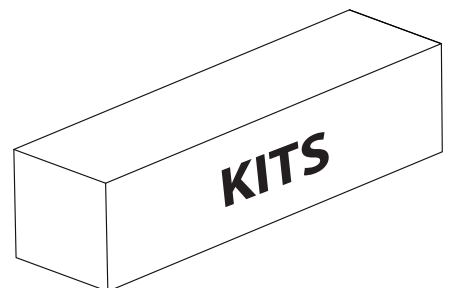


B

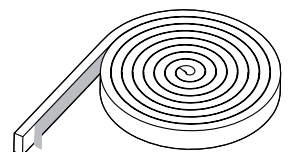


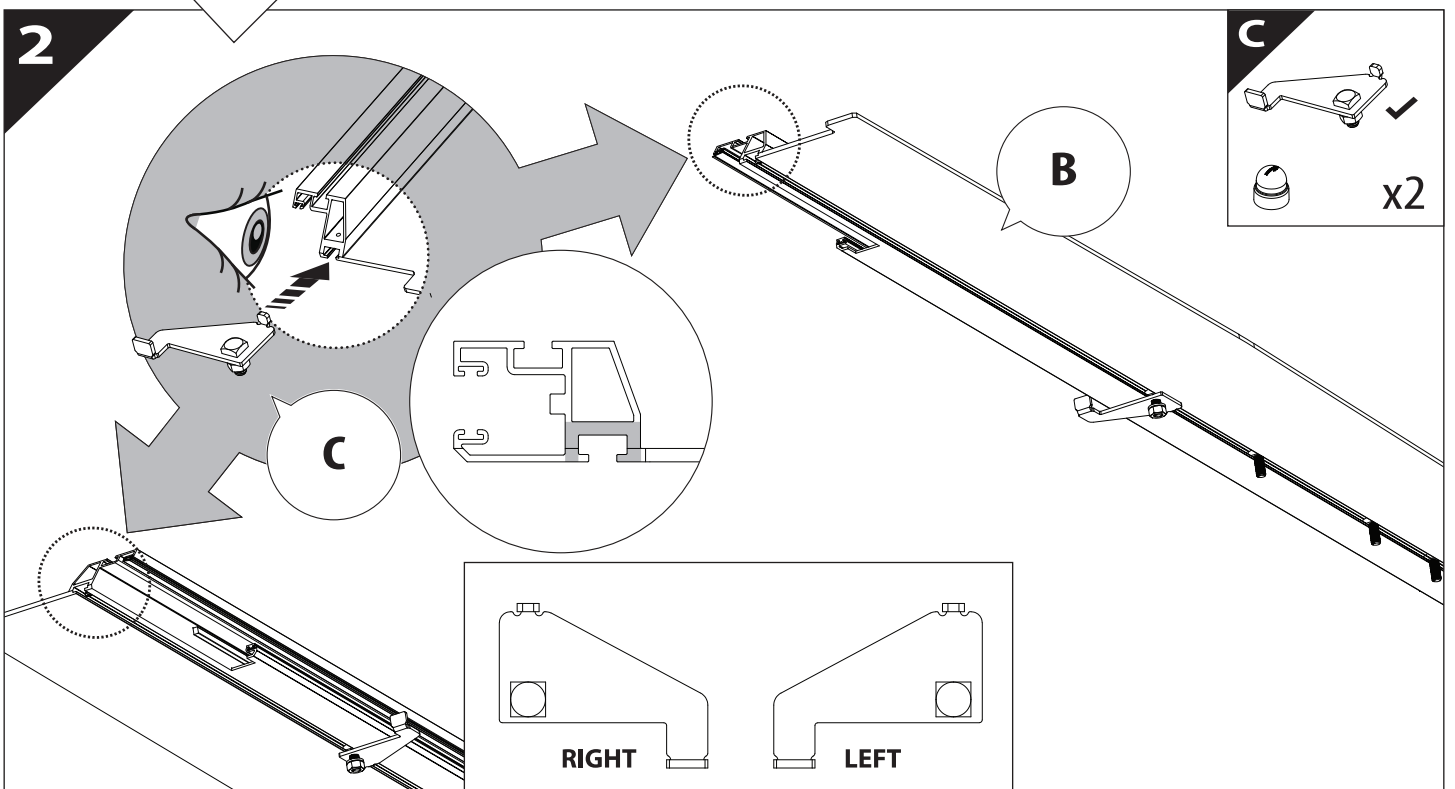
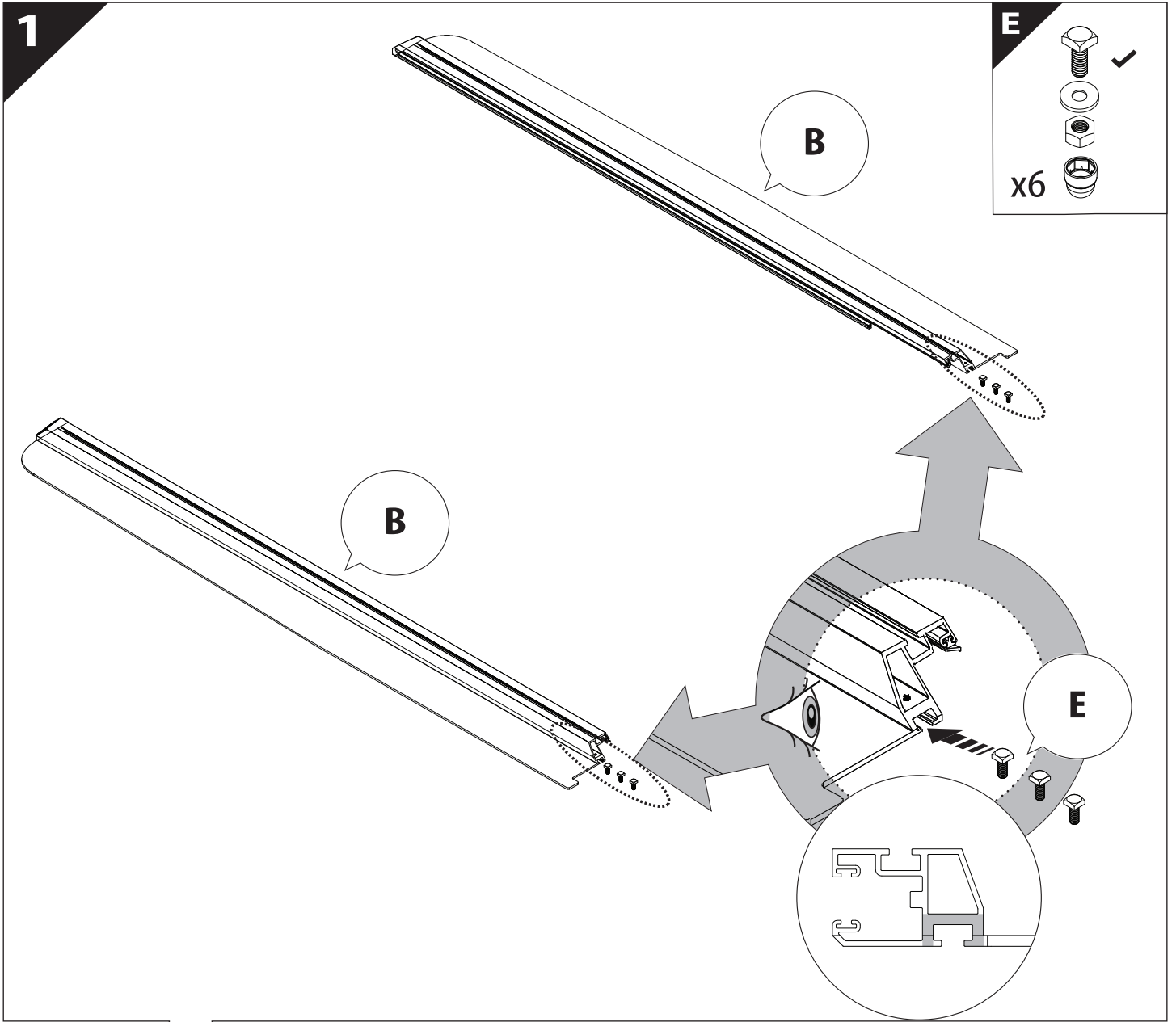
A

KITS

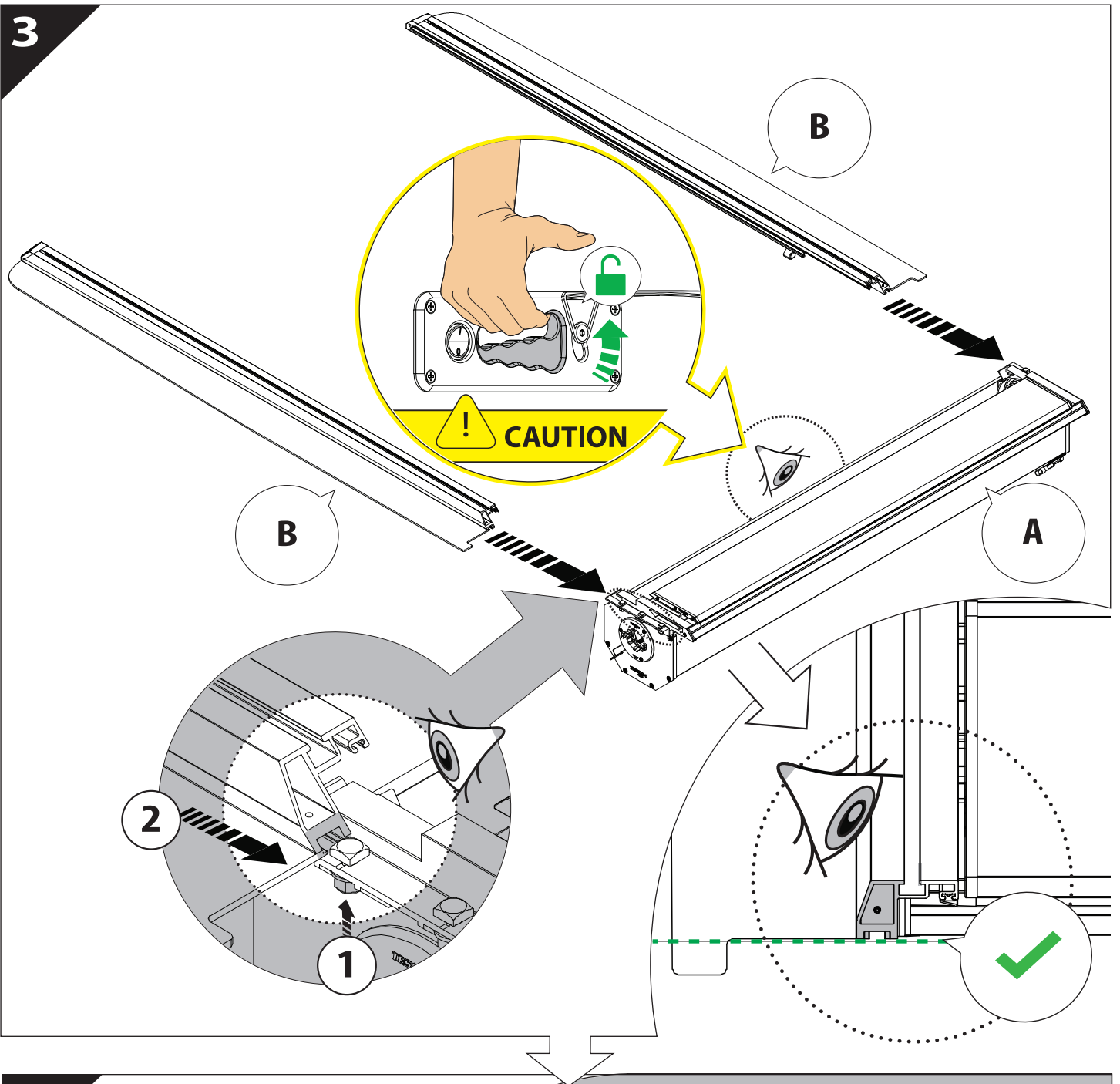


L

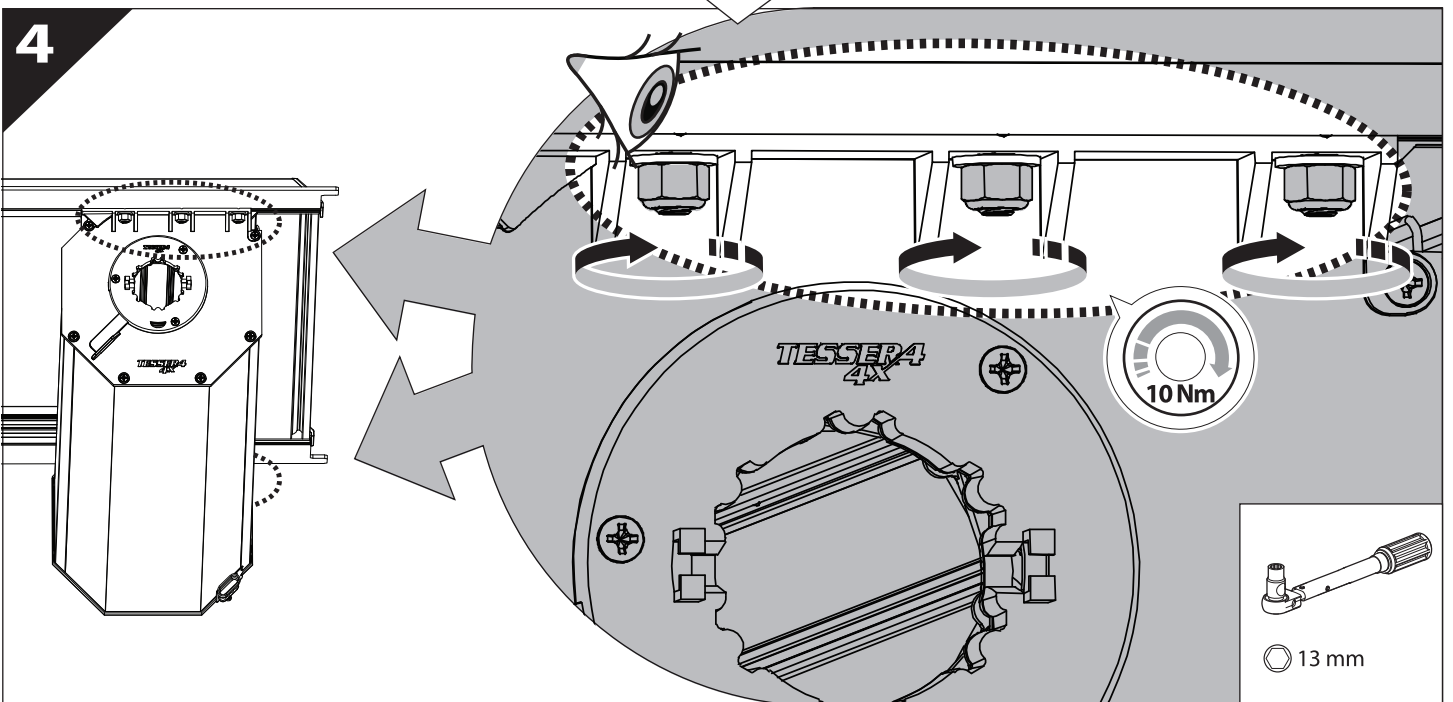


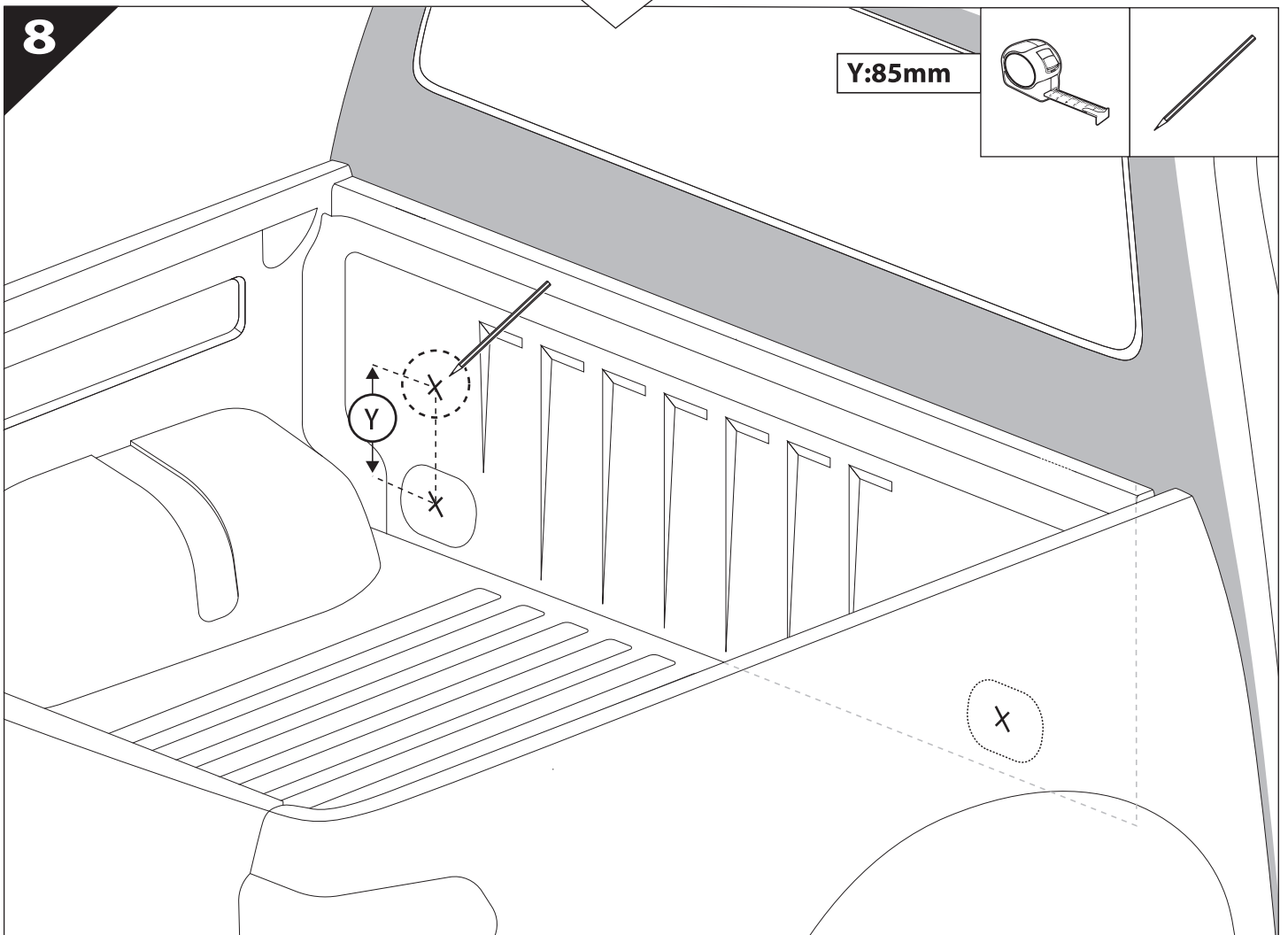
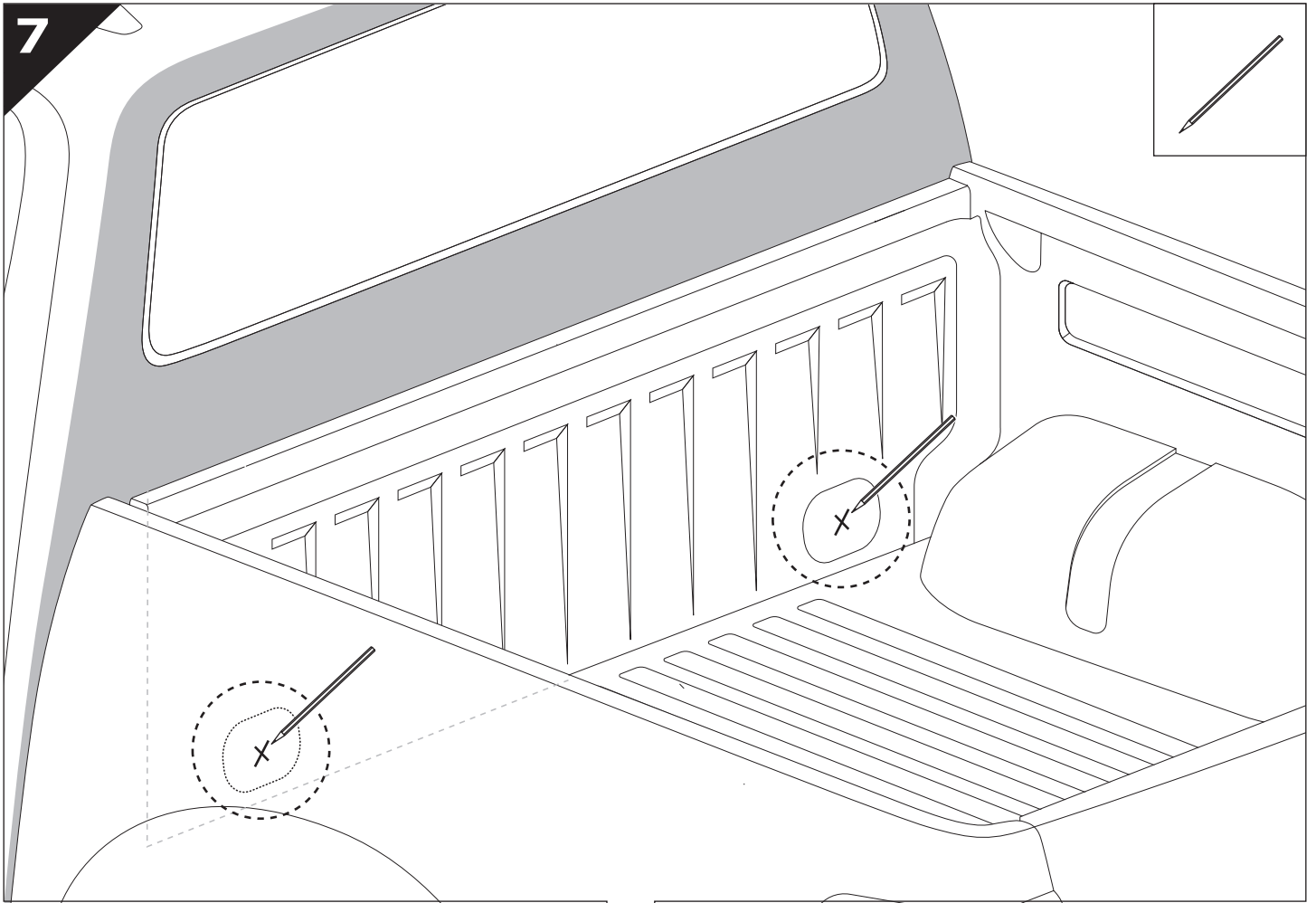


3

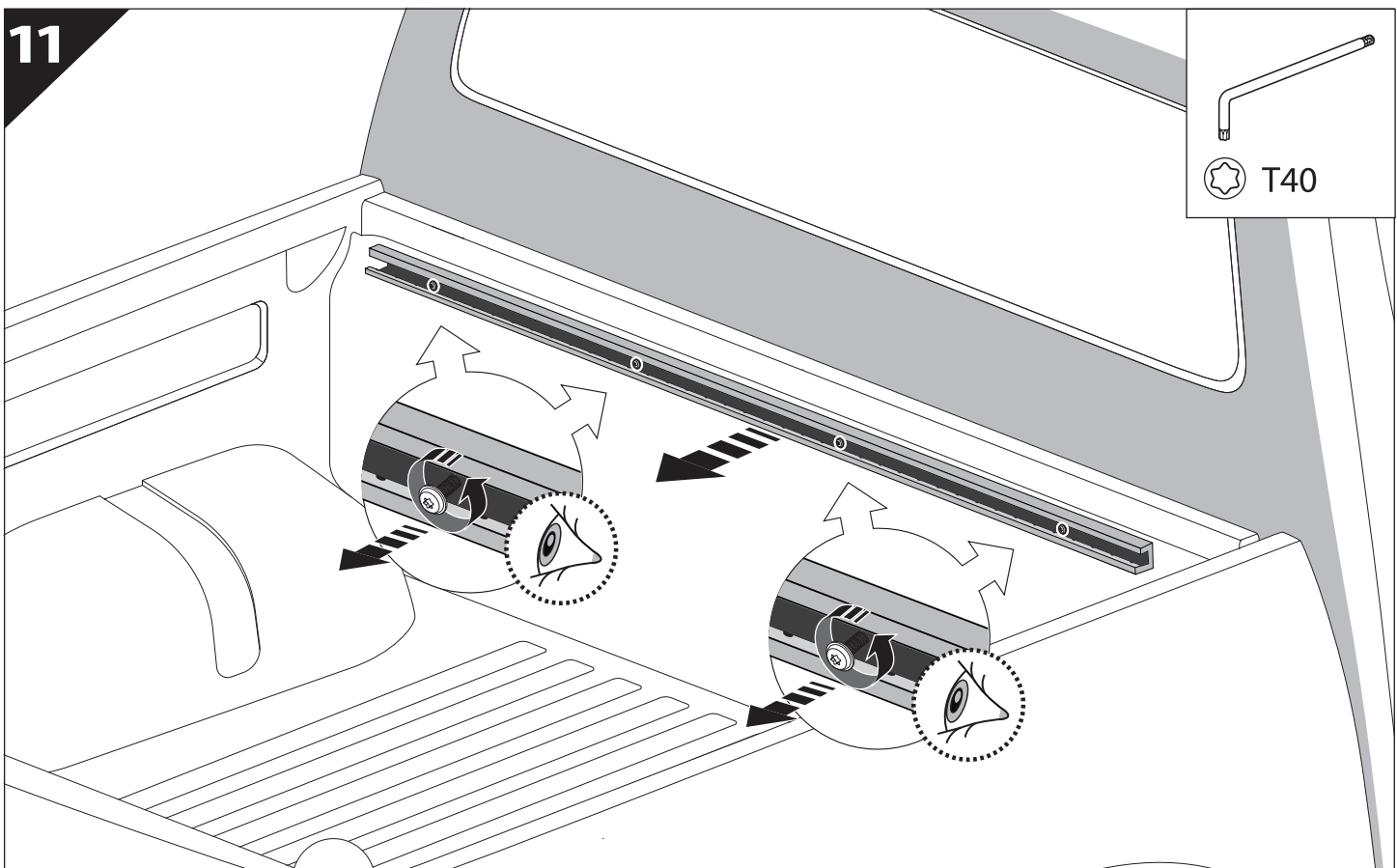
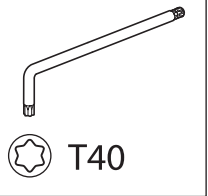


4



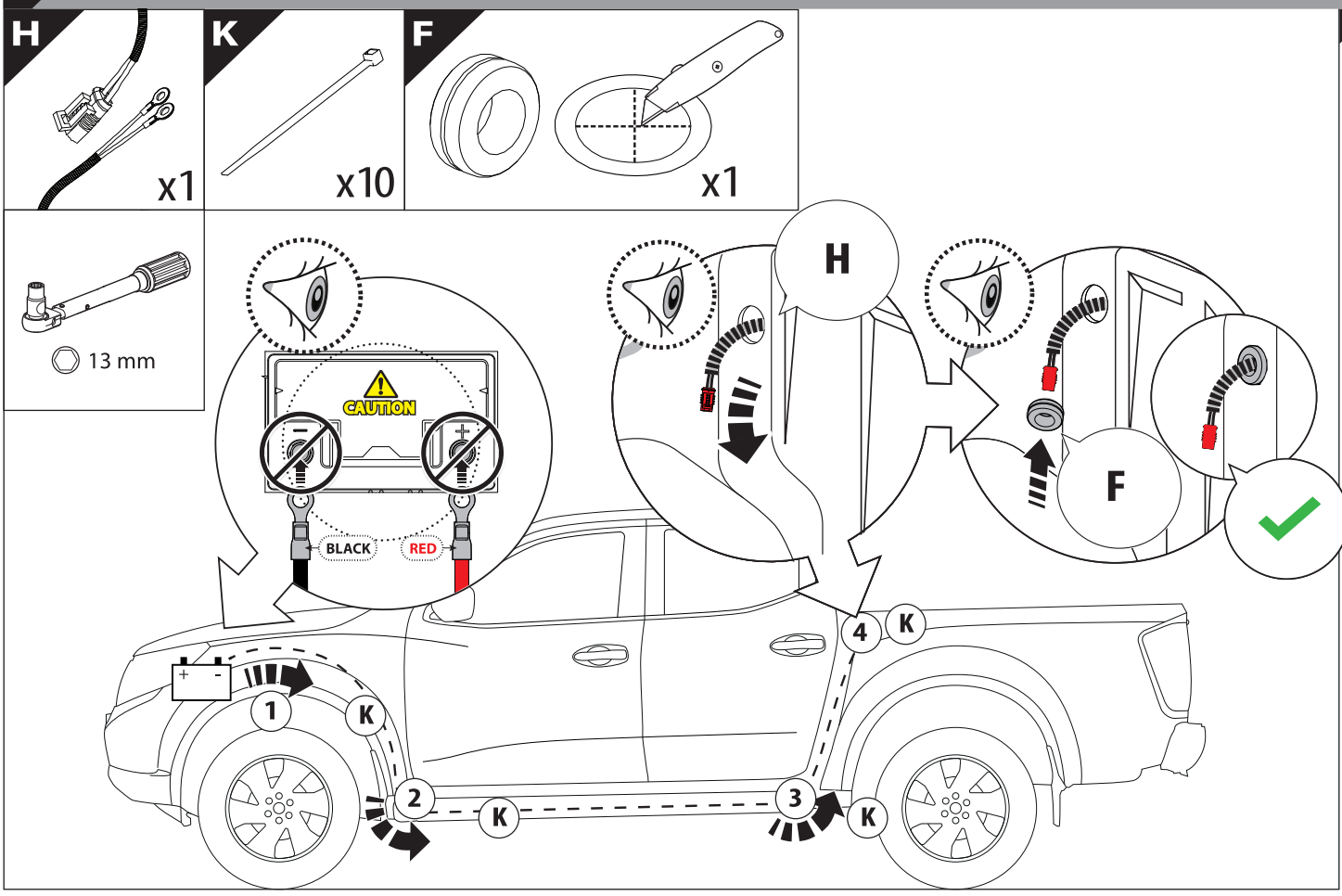


11

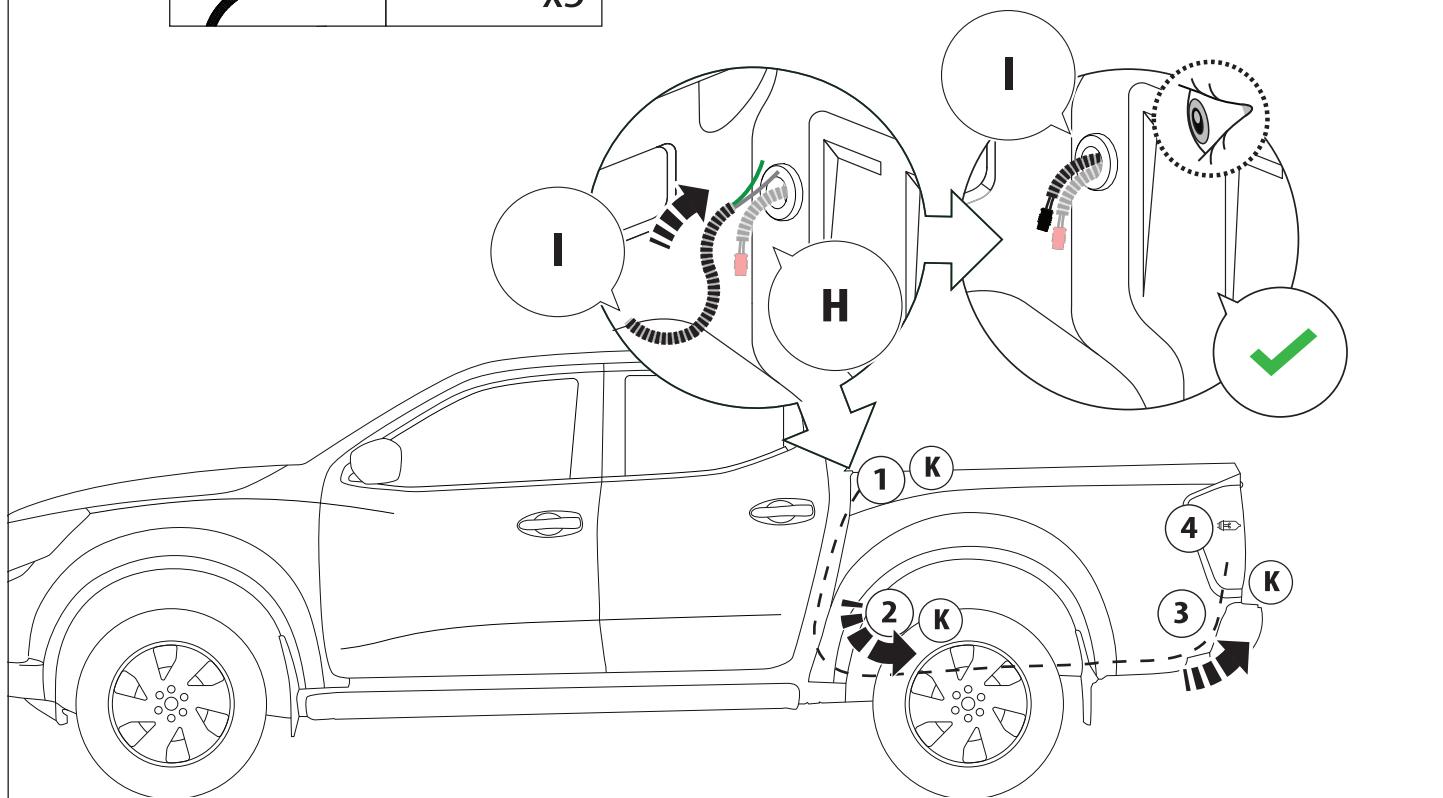
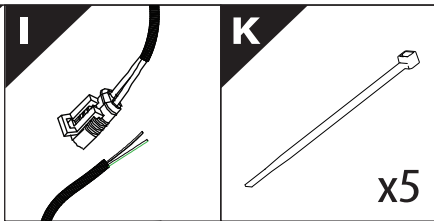


12

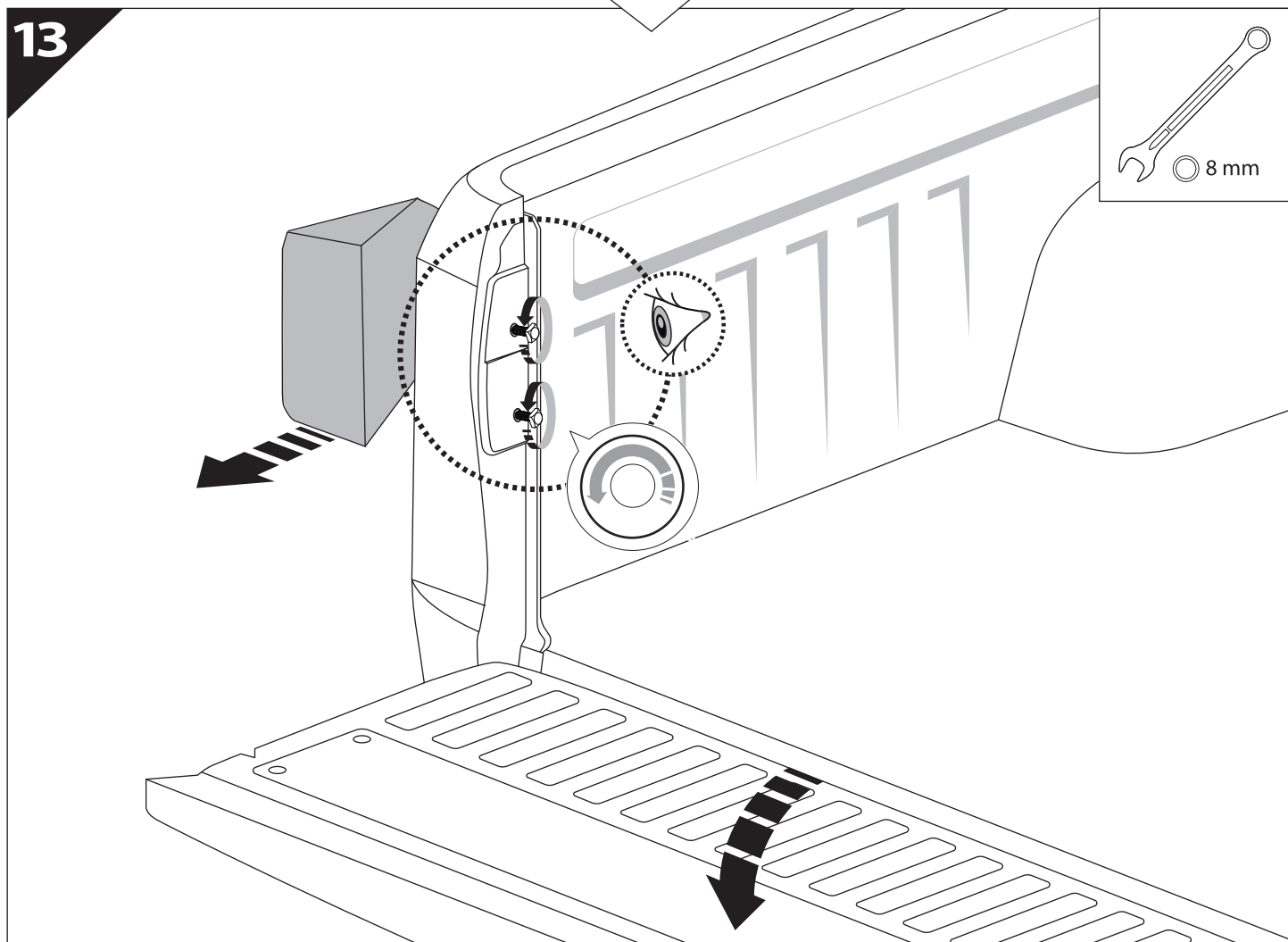
Only to be installed by authorized personnel



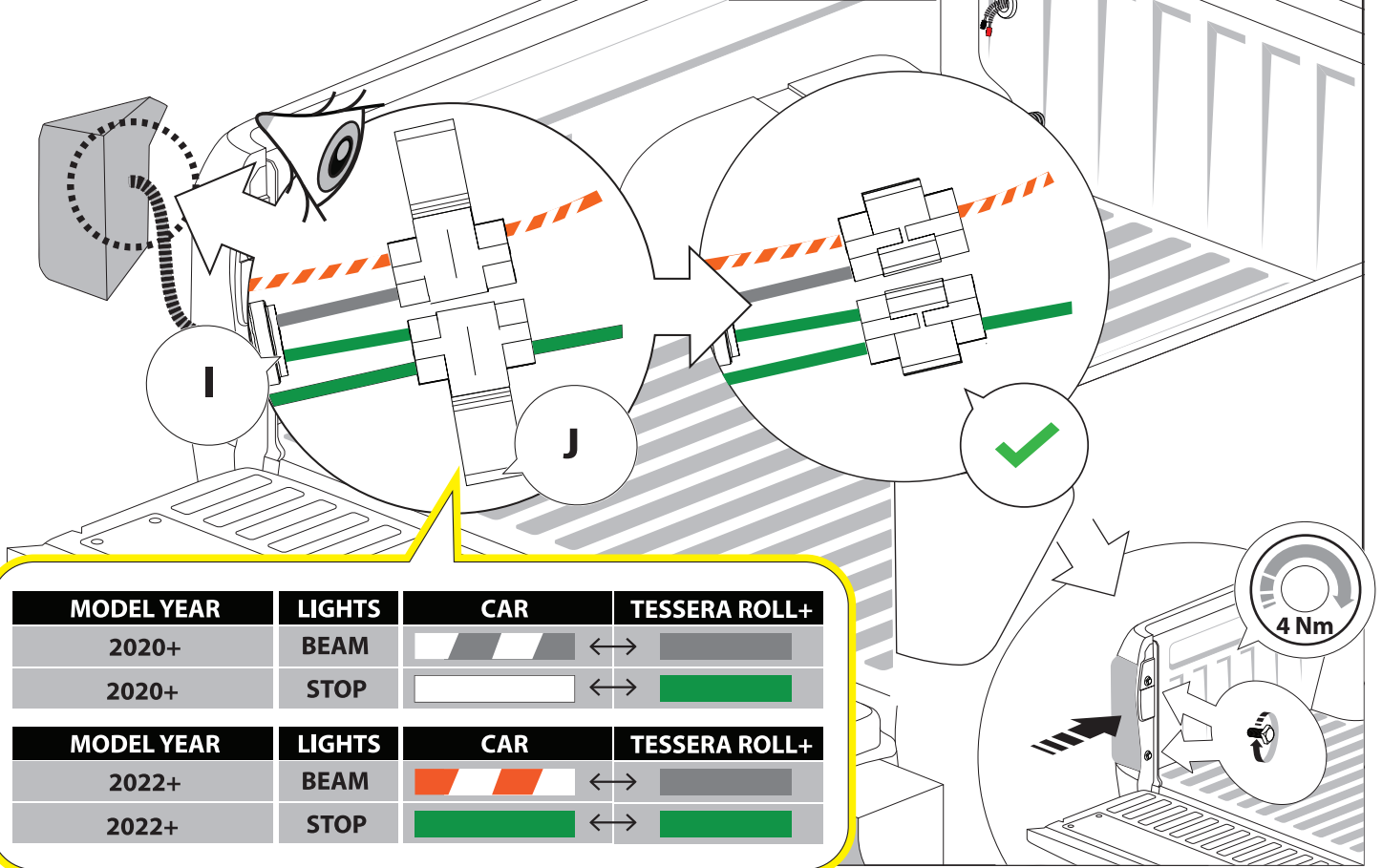
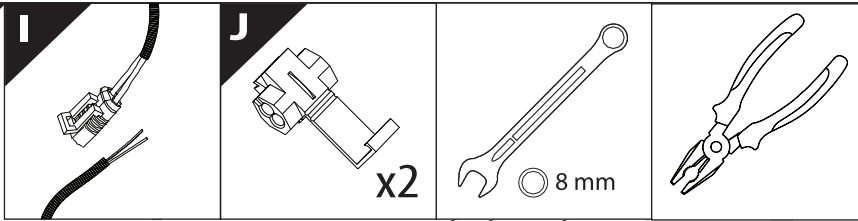
12.0



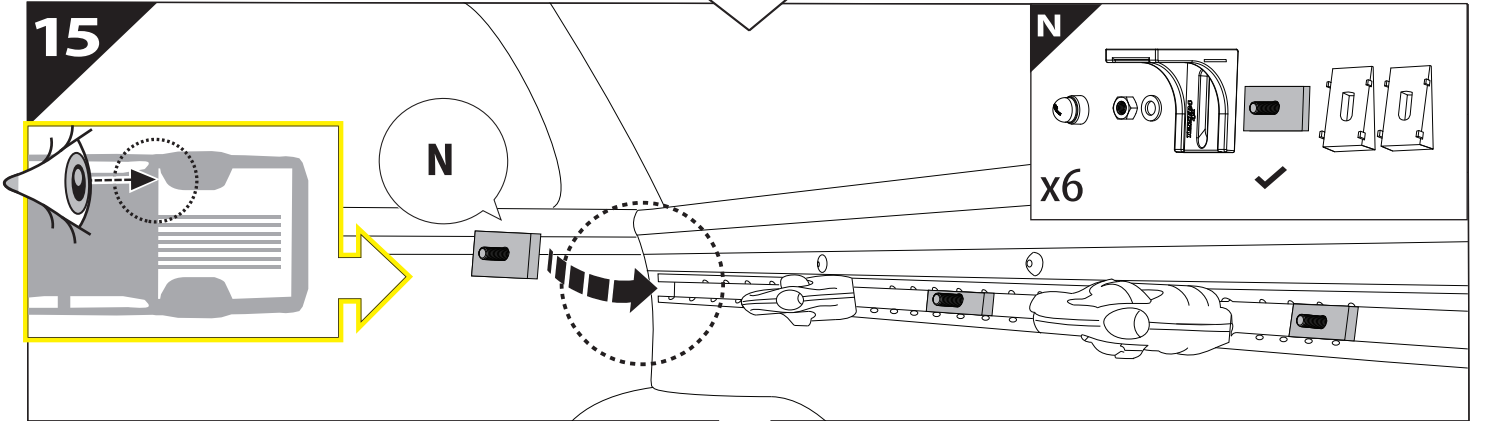
13



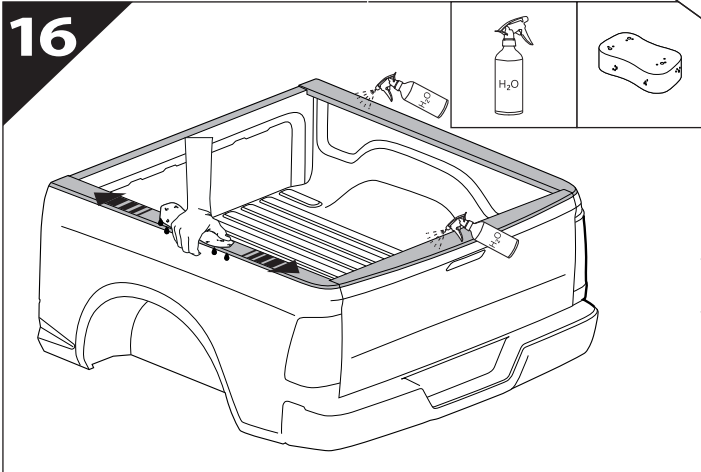
14



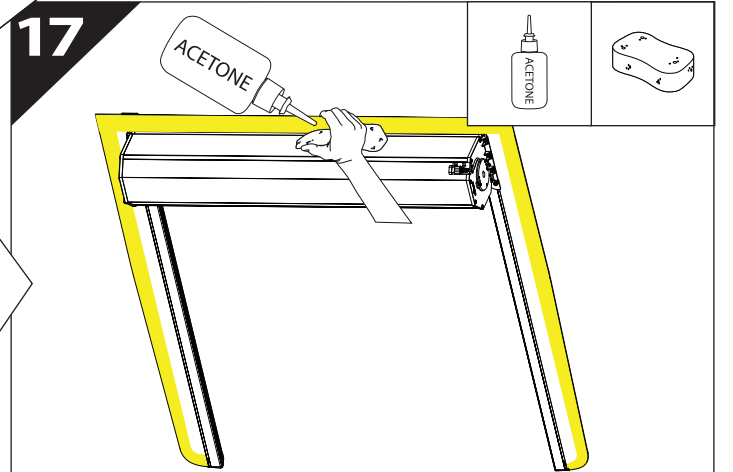
15

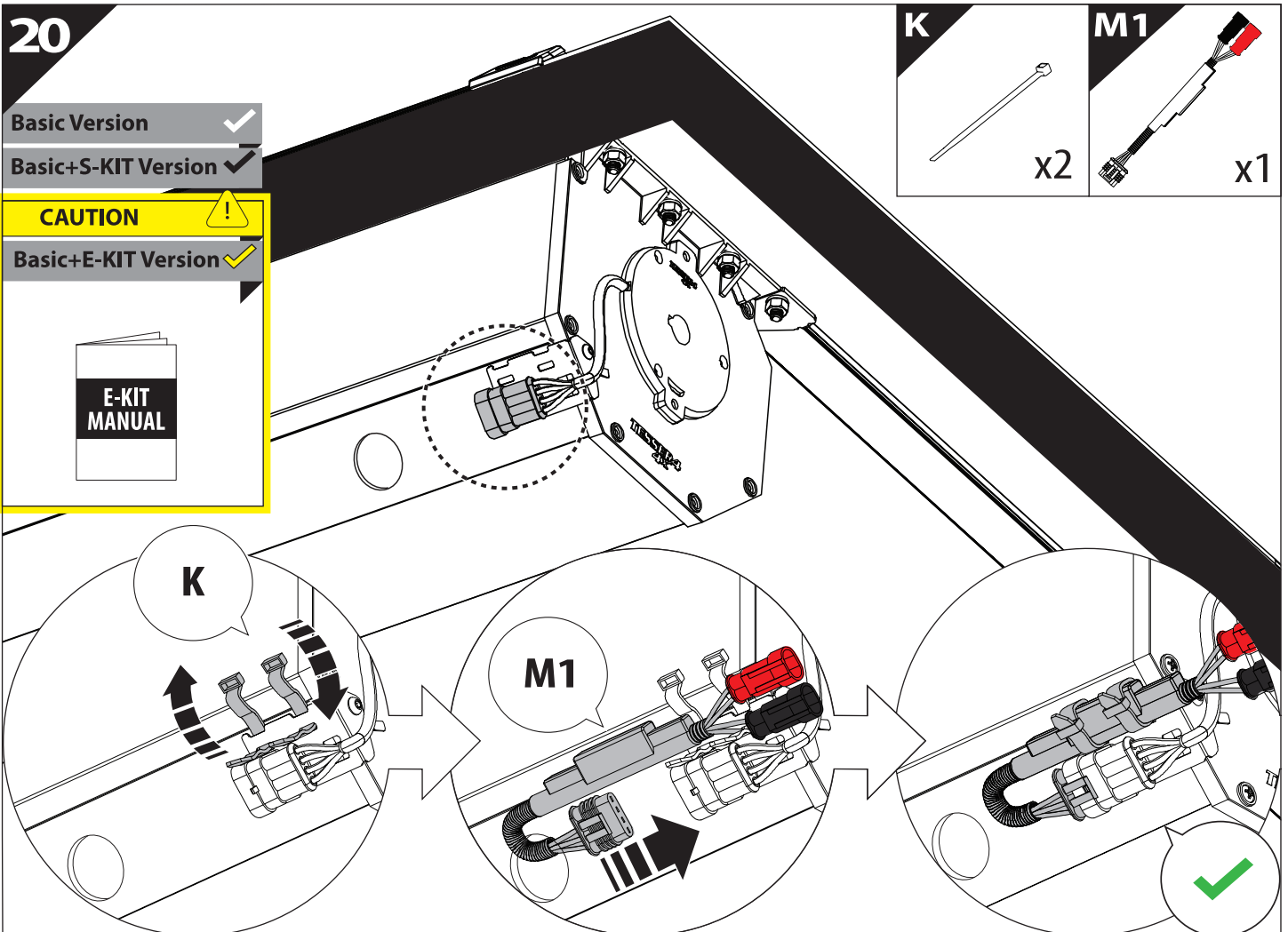
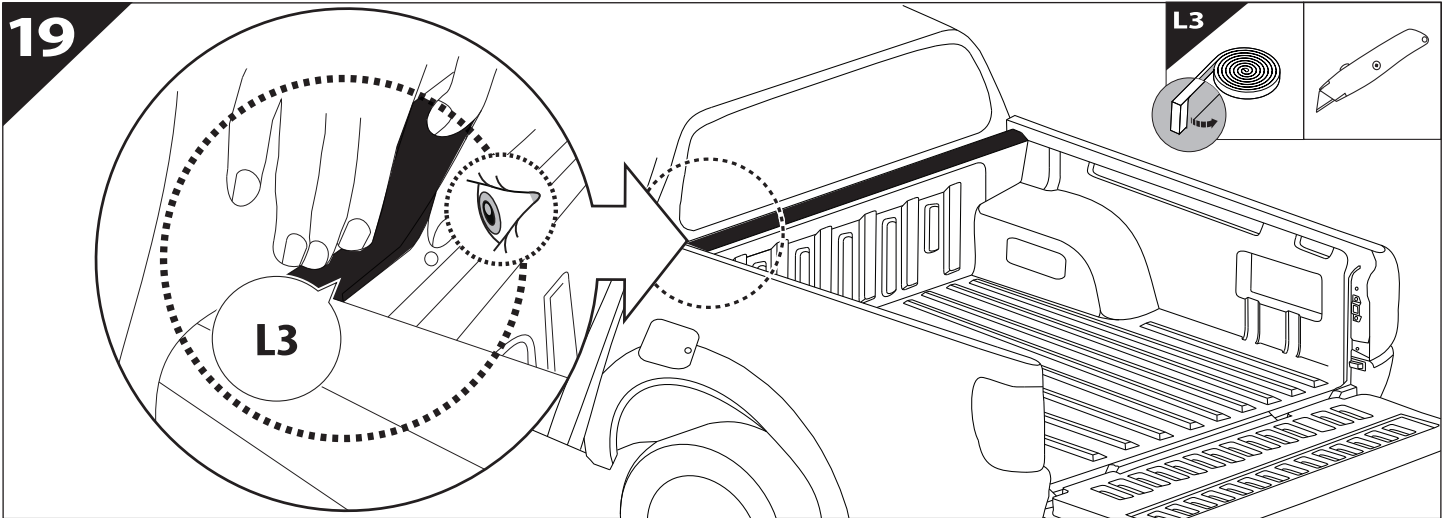
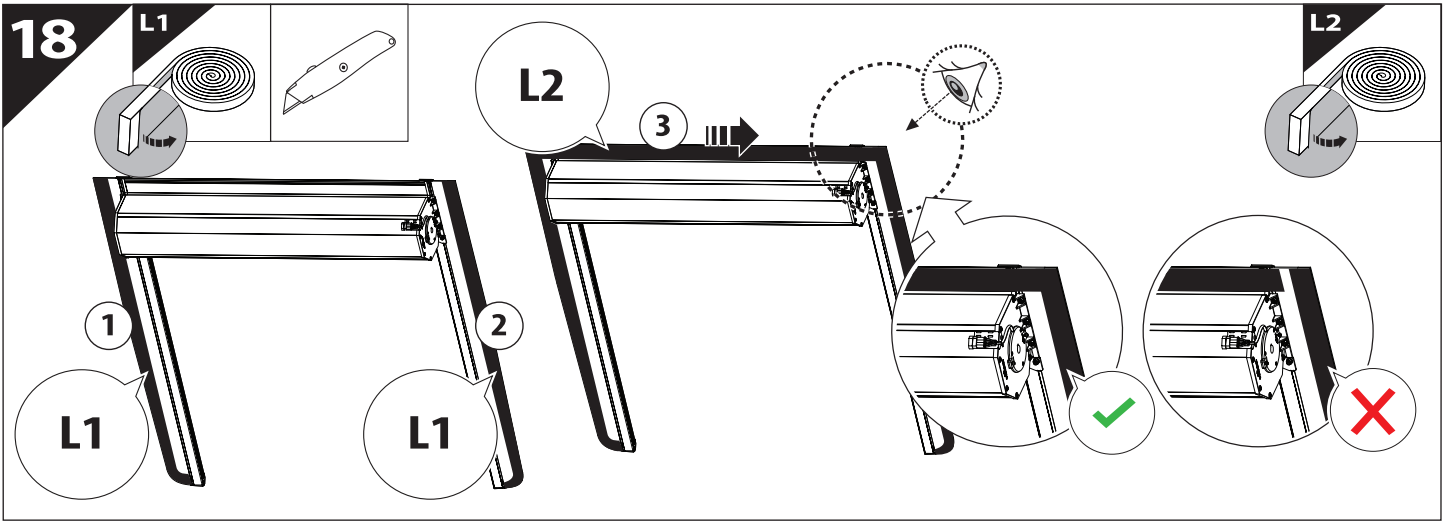


16



17



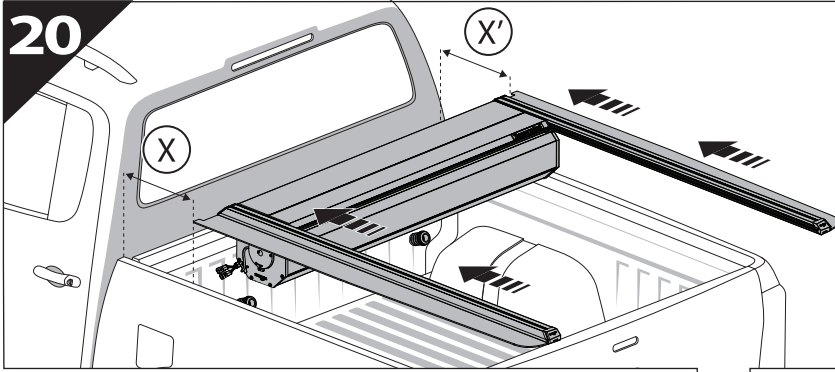


19. 1

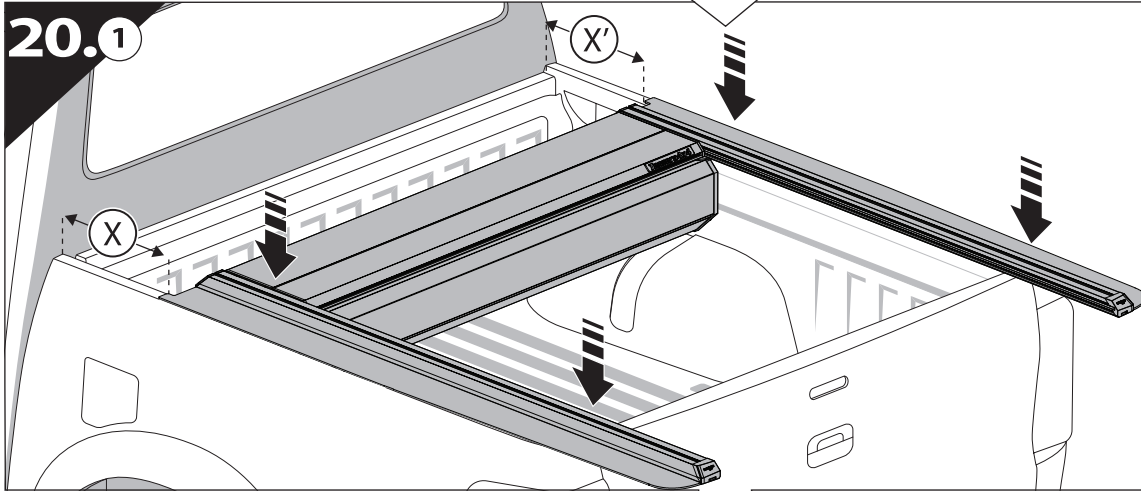
Basic+S-KIT Version

S-KIT
MANUAL

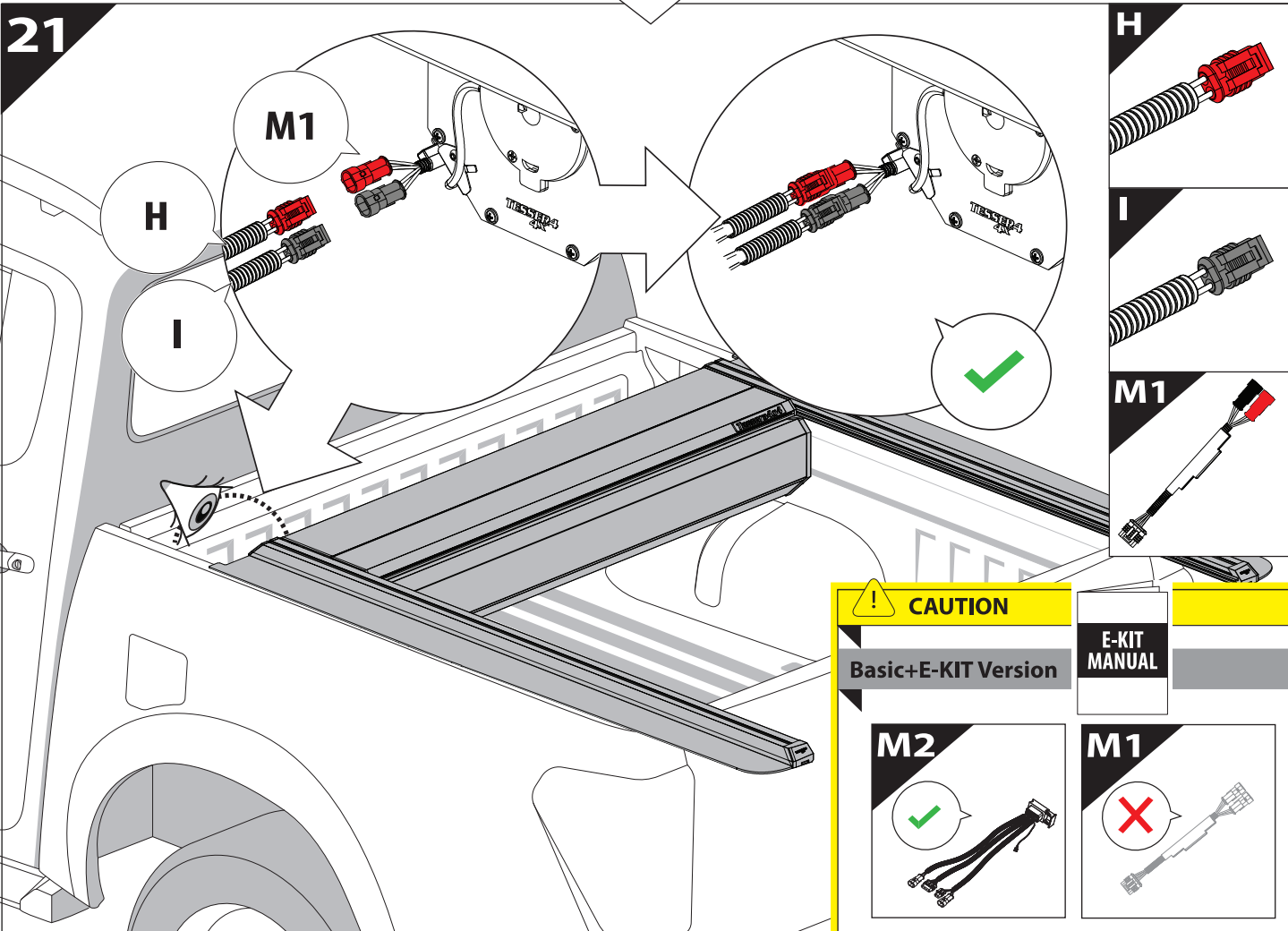
20



20.1

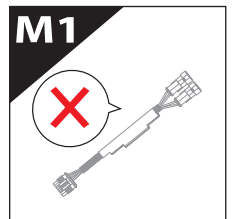
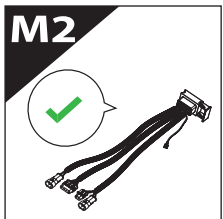


21



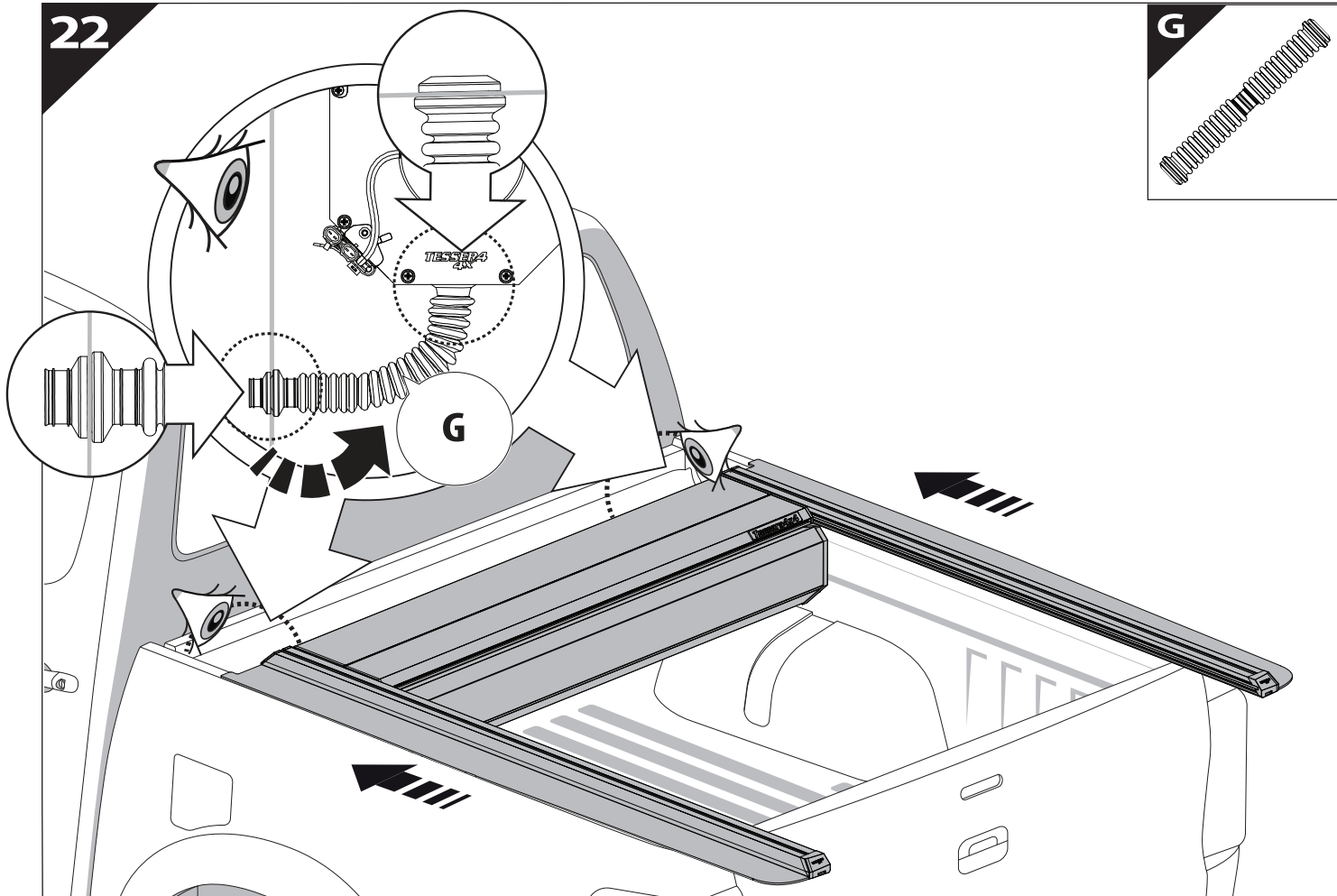
CAUTION
Basic+E-KIT Version

E-KIT
MANUAL

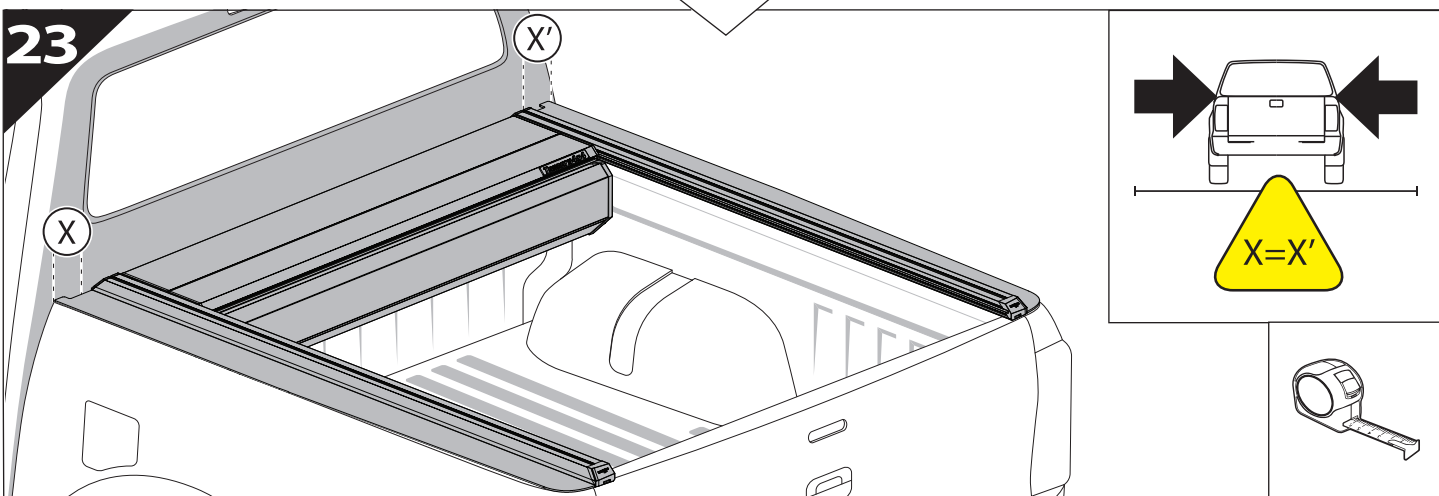


22

G

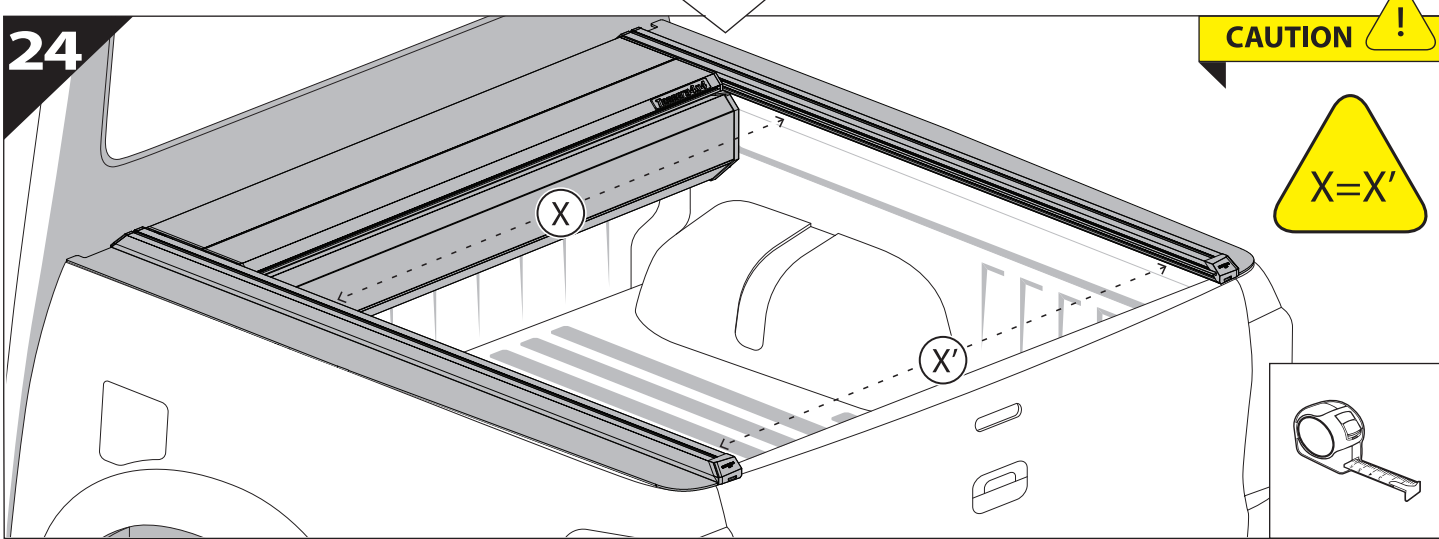


23



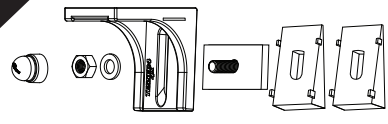
24

CAUTION !



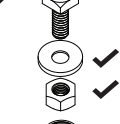
25

N

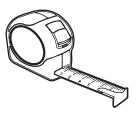
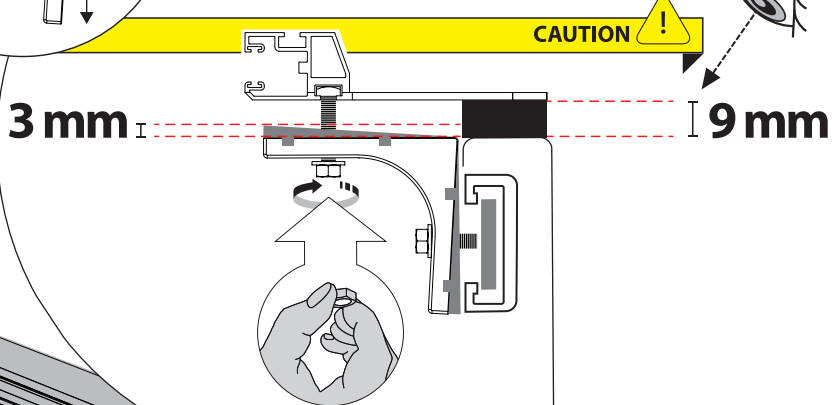
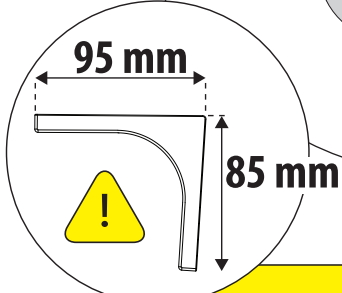
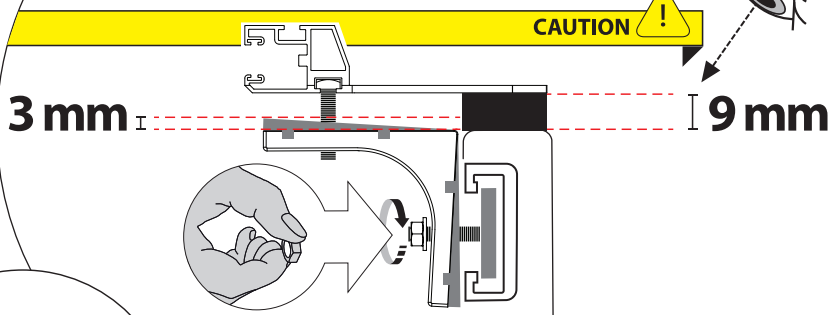


x6

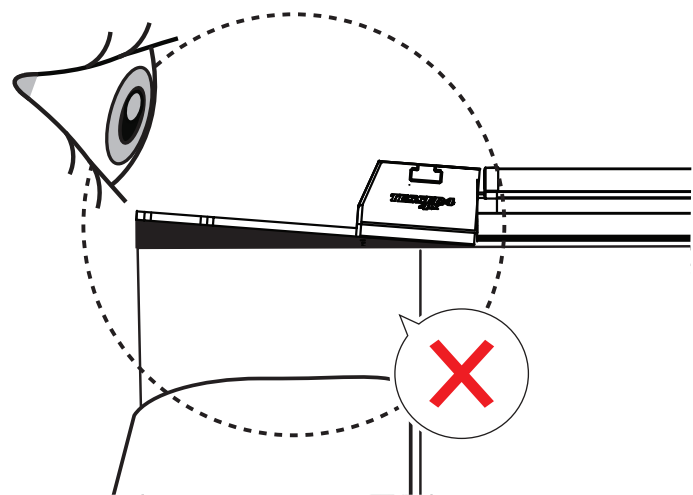
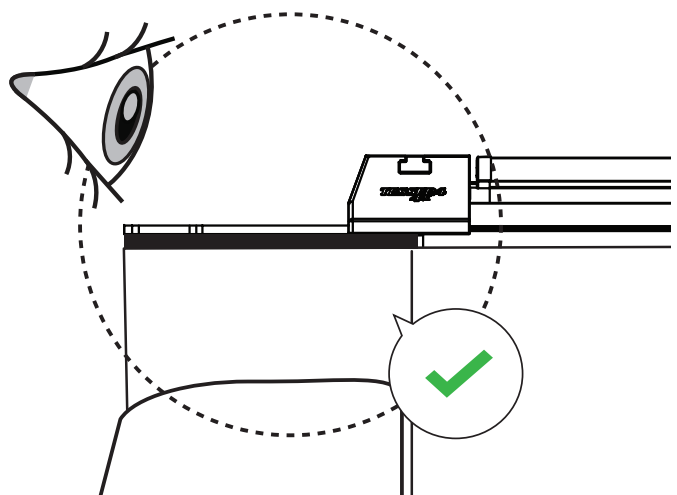
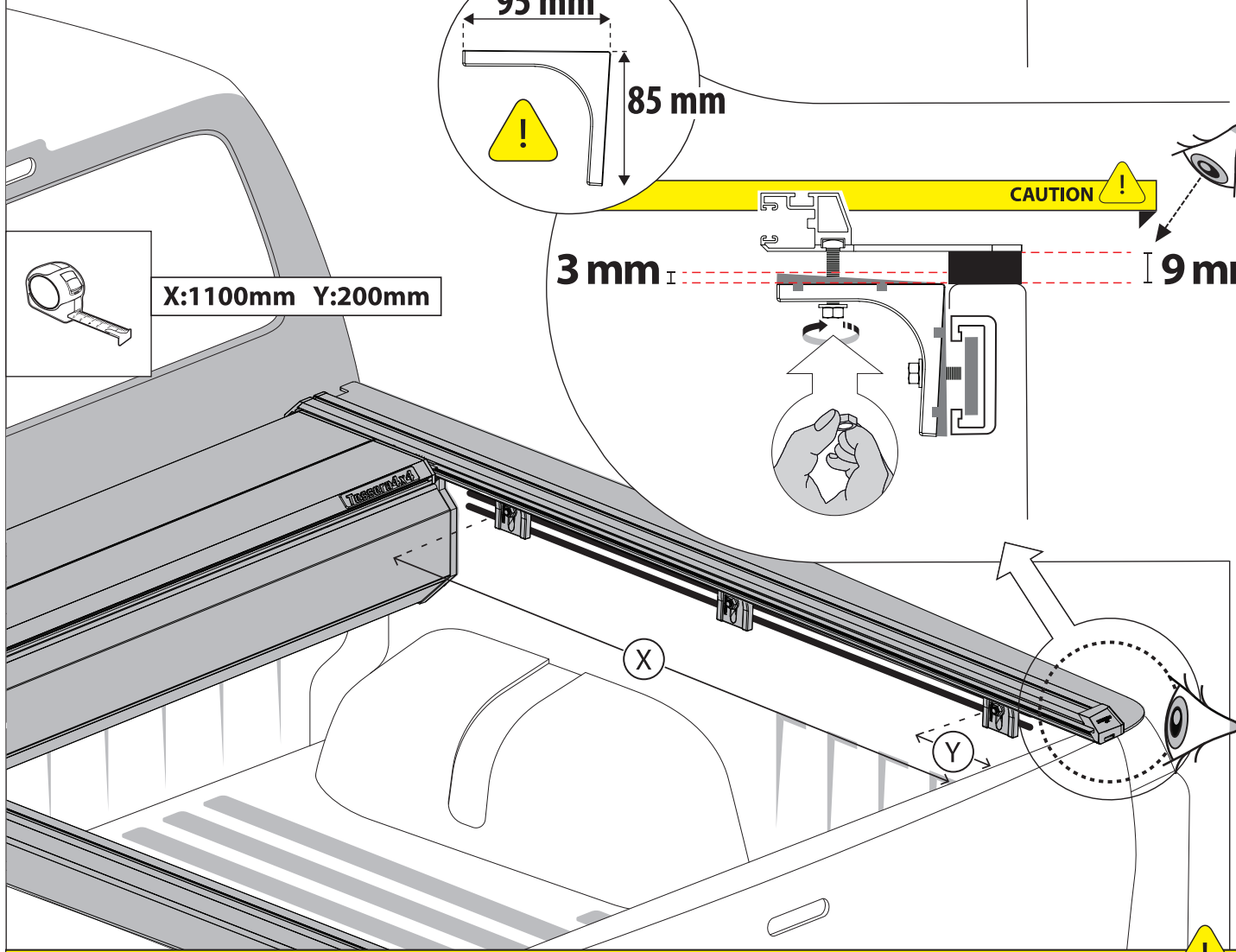
E

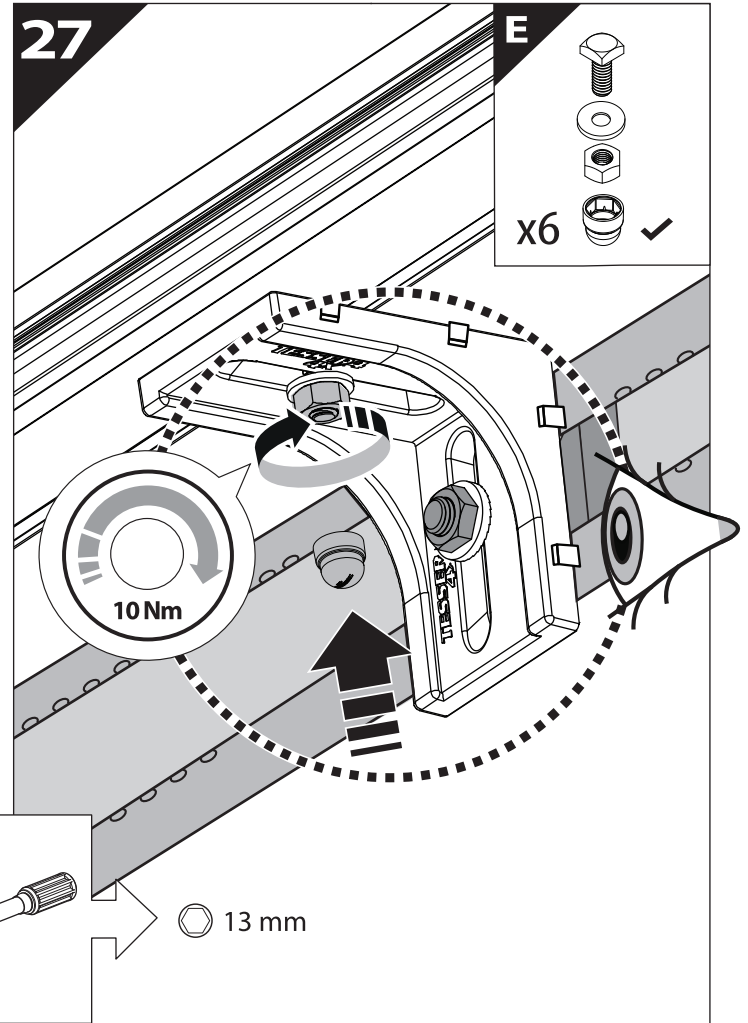
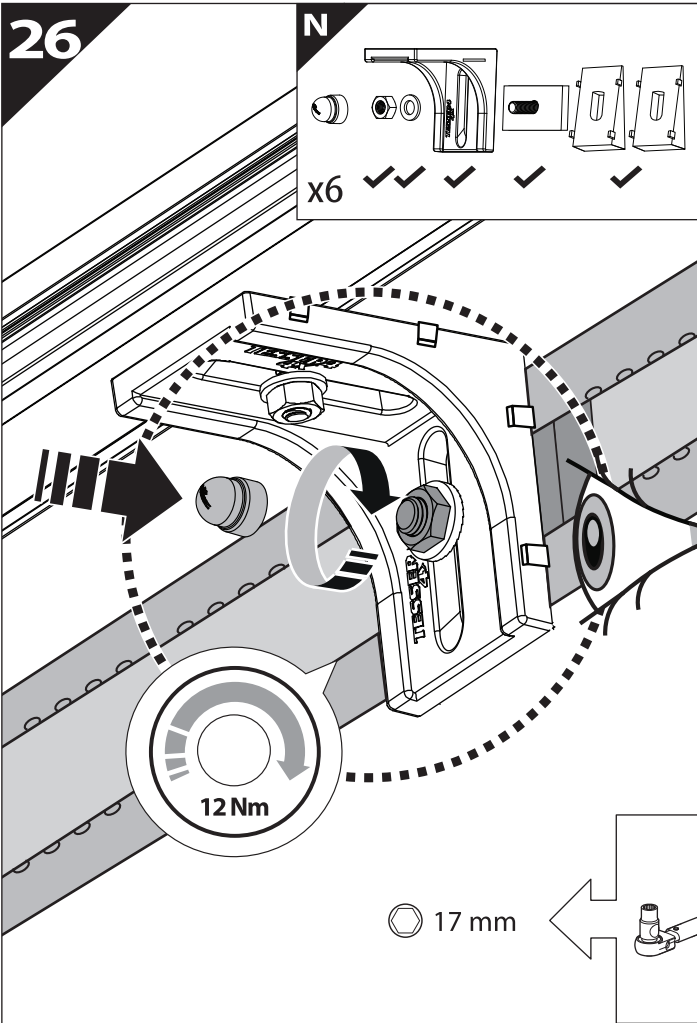


x6

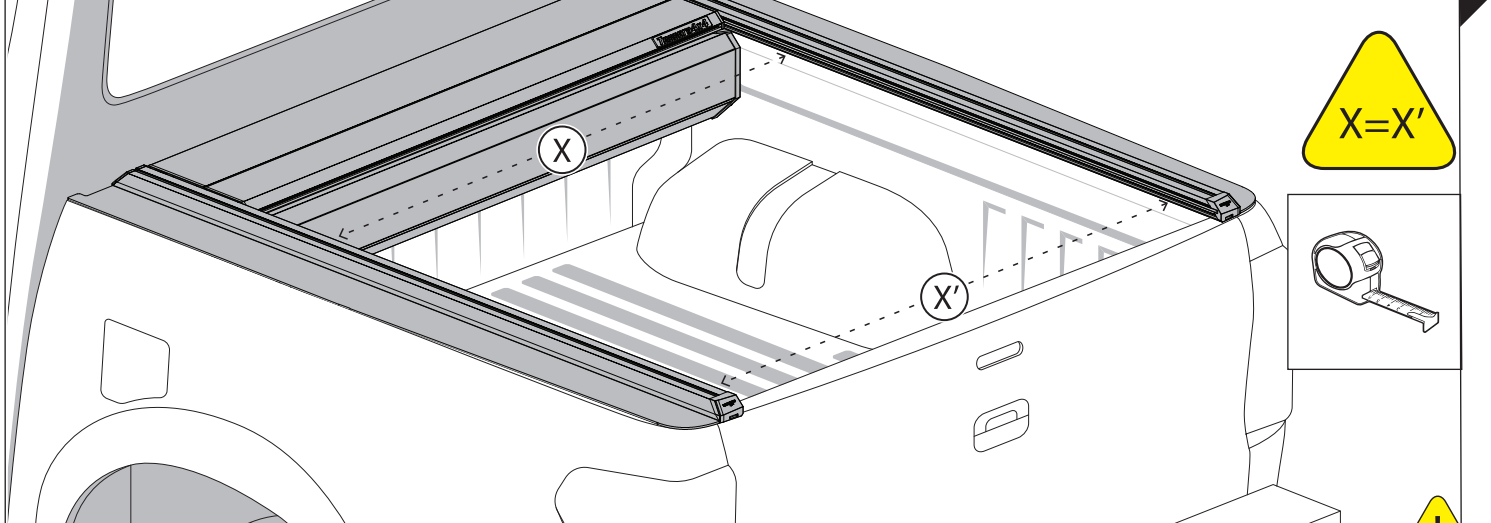


X:1100mm Y:200mm

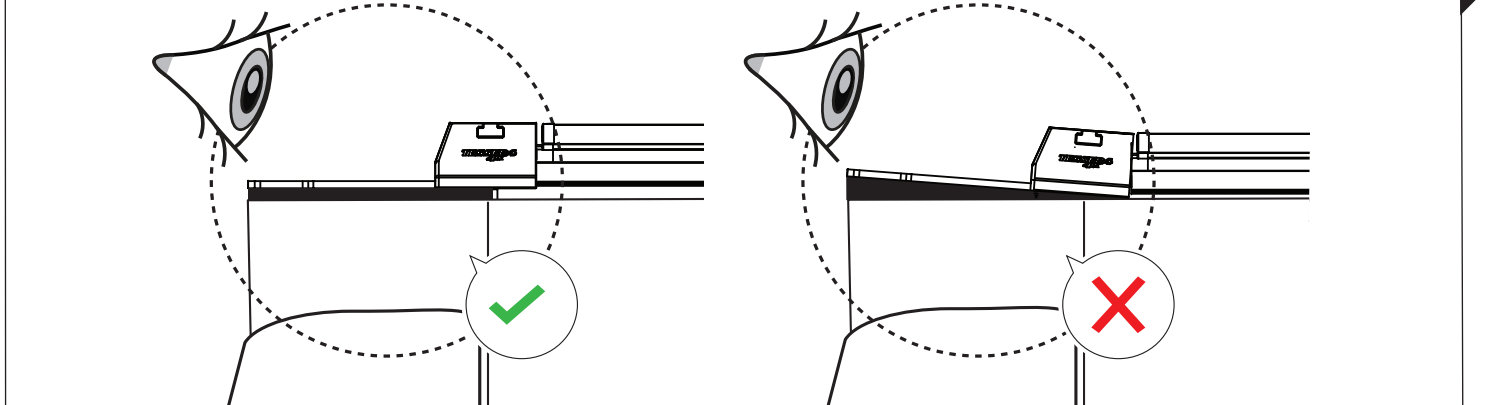




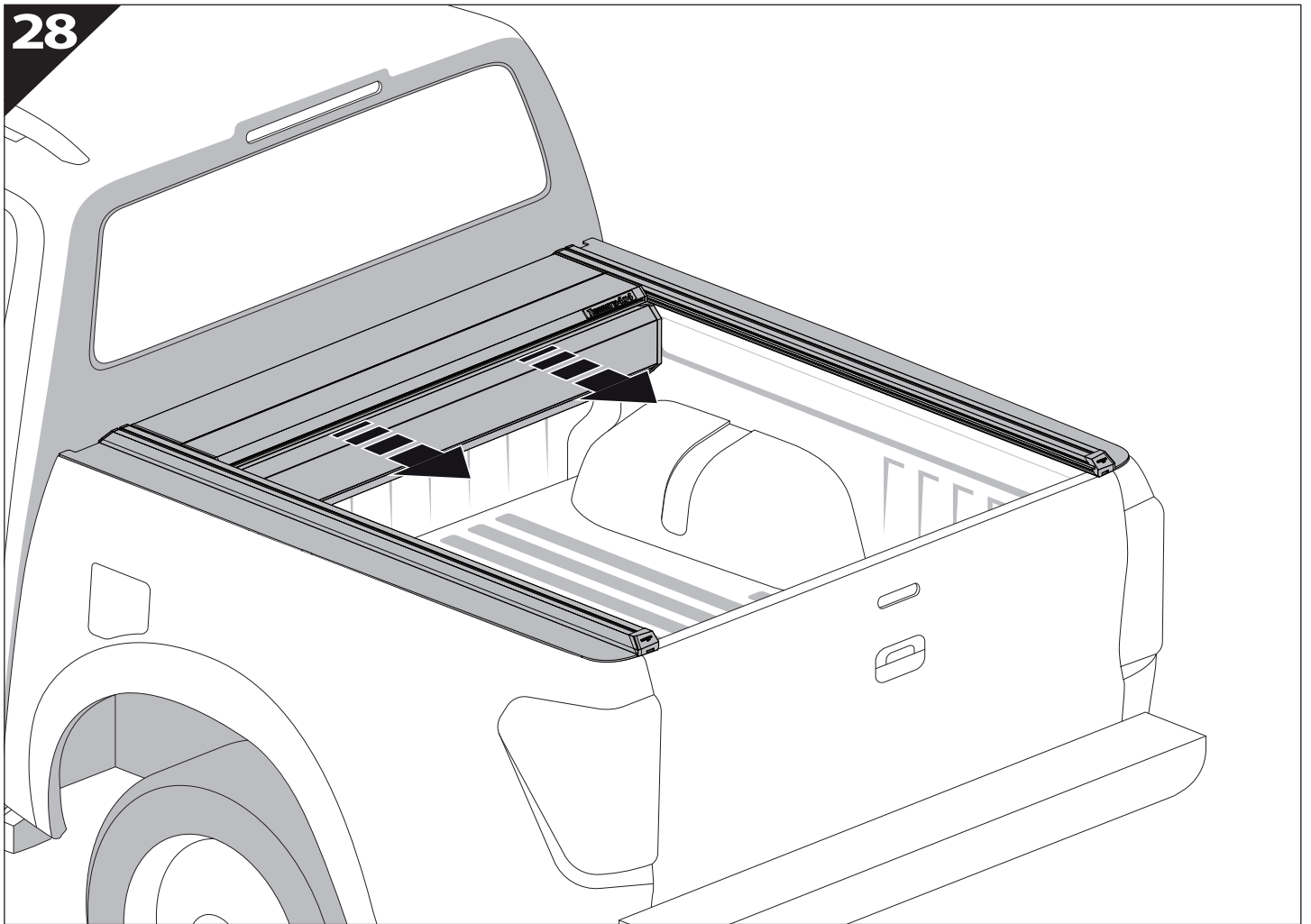
CAUTION !



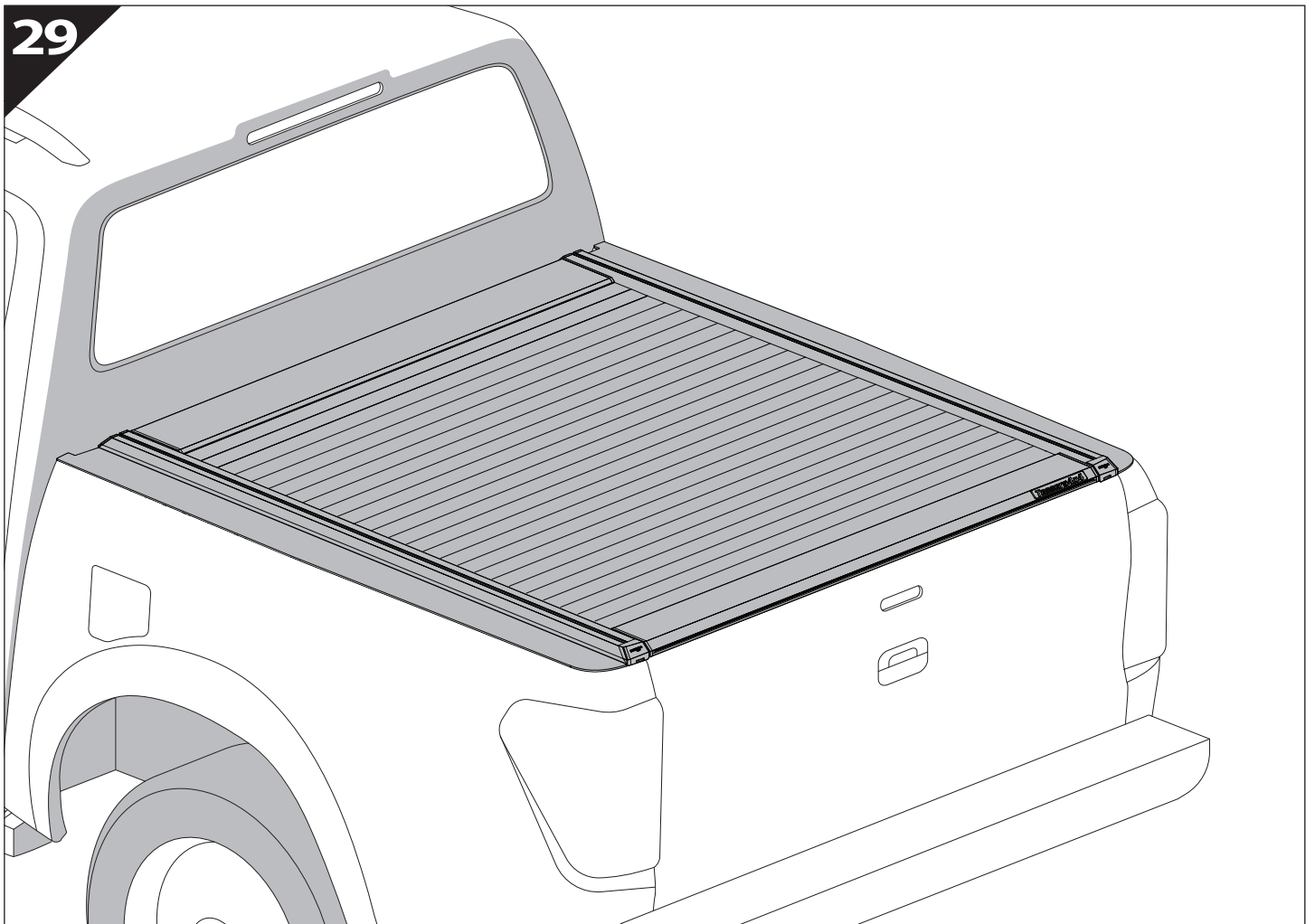
CAUTION !



28



29





GR: Οδηγίες Εγκατάστασης
GB: Installation manual
SF: Asennusohje
F: Notice de montage
PL: Instrukcja montażu
NL: Installatie-instructies
TR: Montaj Talimatı
S: Monteringsanvisning
E: Instrucciones de montaje

H: Szerelési utasítás
P: Instruções de instalação
RUS: Инструкция по установке
N: Monteringsveiledning
D: Einbauanleitung
CZ: Návod k instalaci
I: Istruzioni de montaggio
DK: Monteringsvejledning
RO: Instructiuni de instalare

Customer Service:

+30 (210) 5541161, +30 (210) 5541154 (08:00 - 16:00 EET)

Support department:

info@gianso.gr

Website:

www.tessera4x4.com

Address:

19.5 km of National road Athens-Korinthos (Elefsina) Greece, P.C: 19200