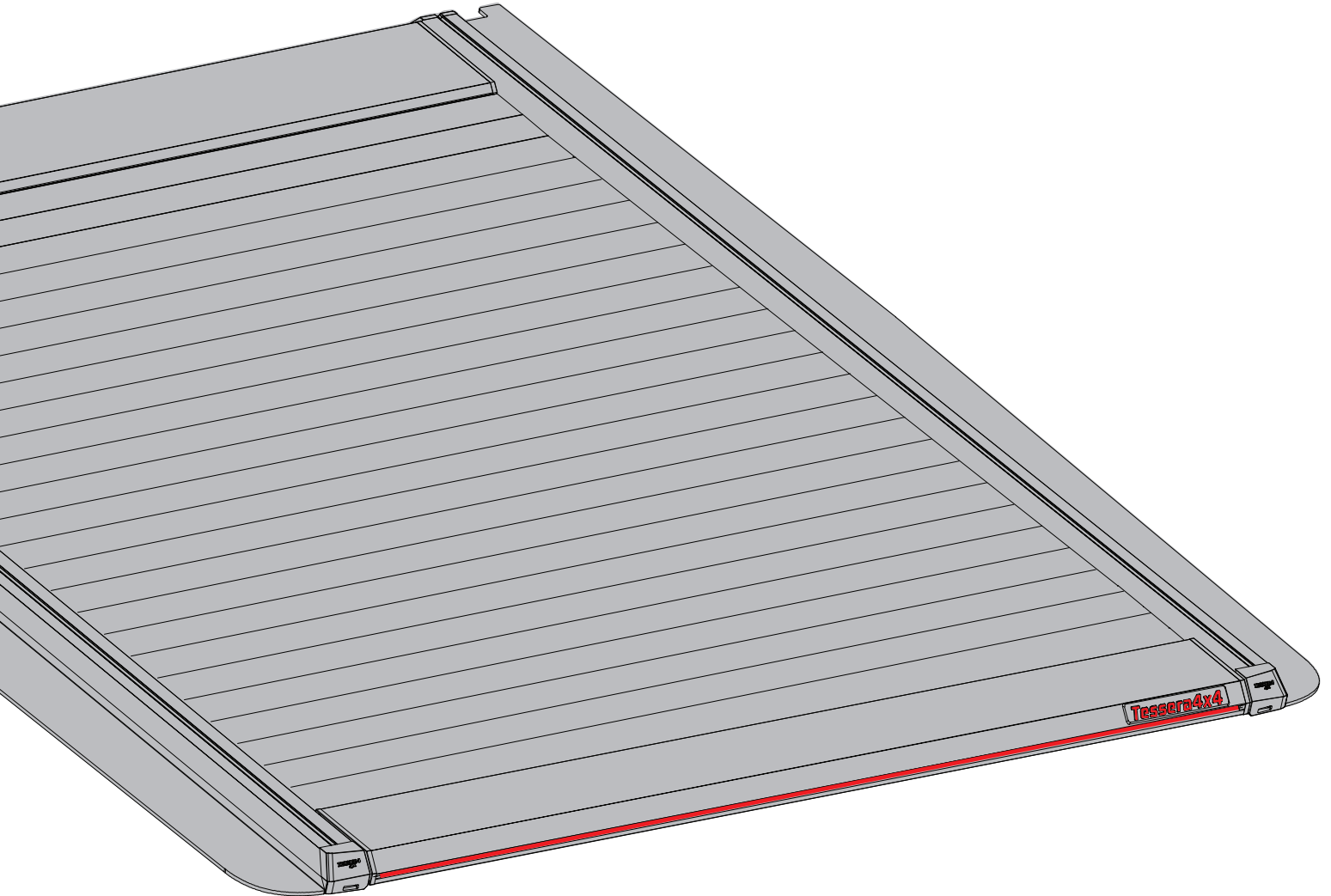


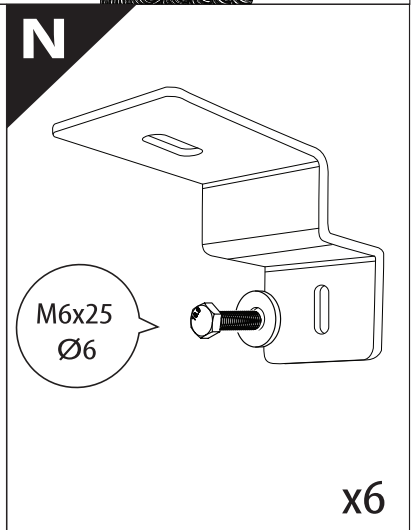
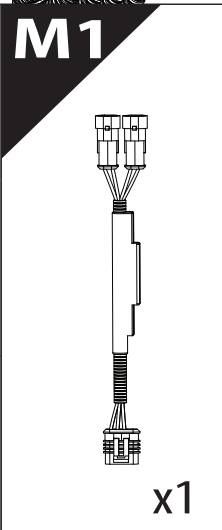
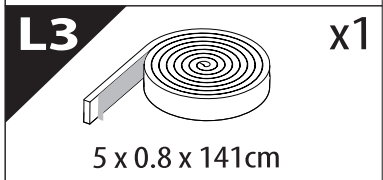
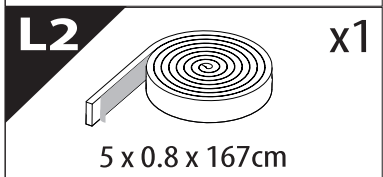
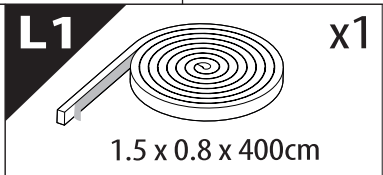
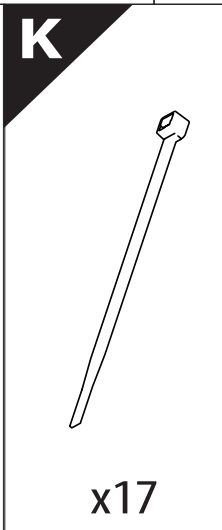
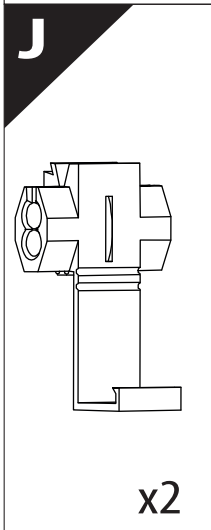
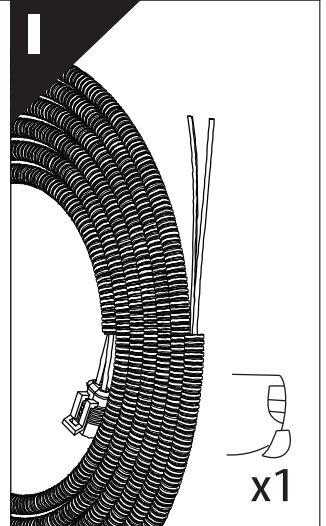
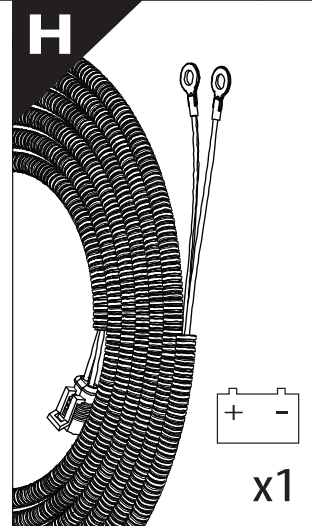
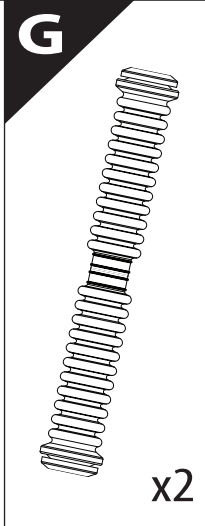
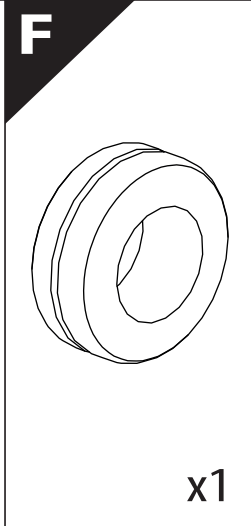
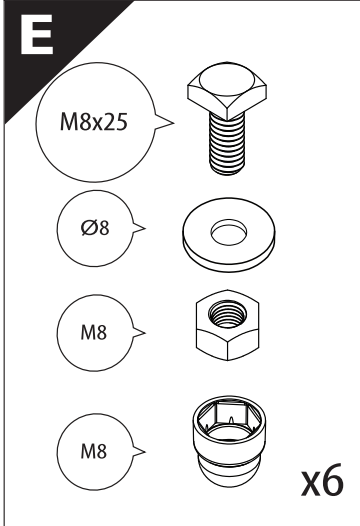
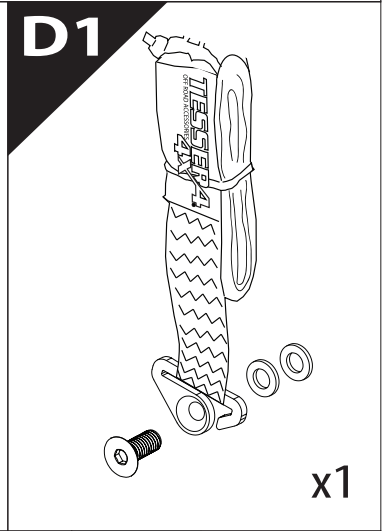
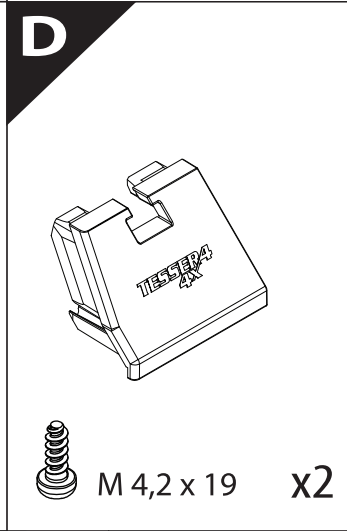
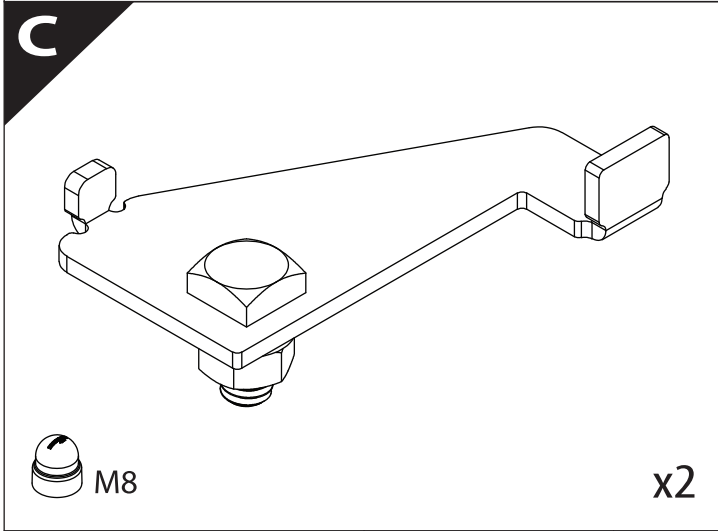
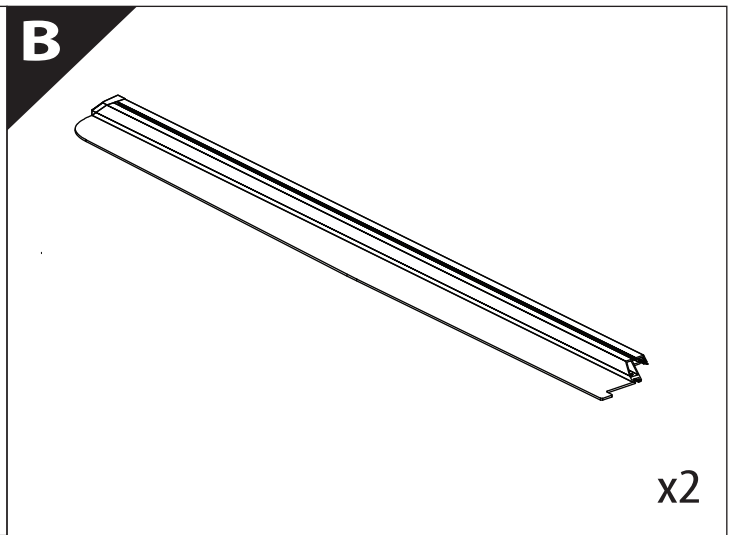
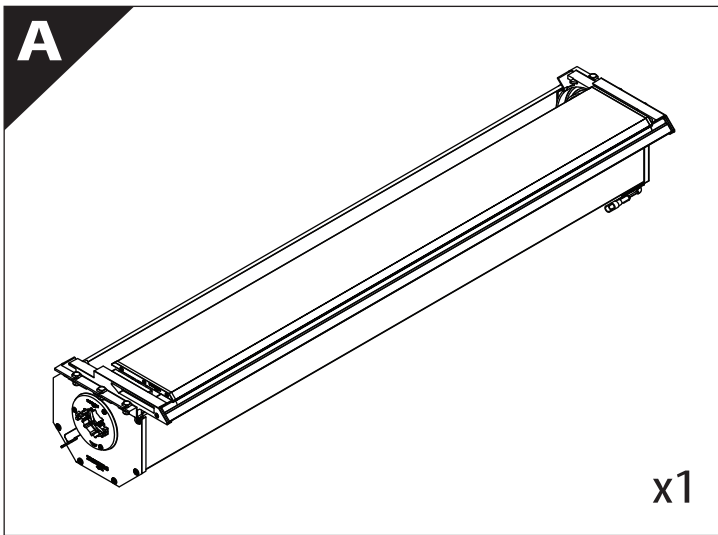
Tessera Roll+

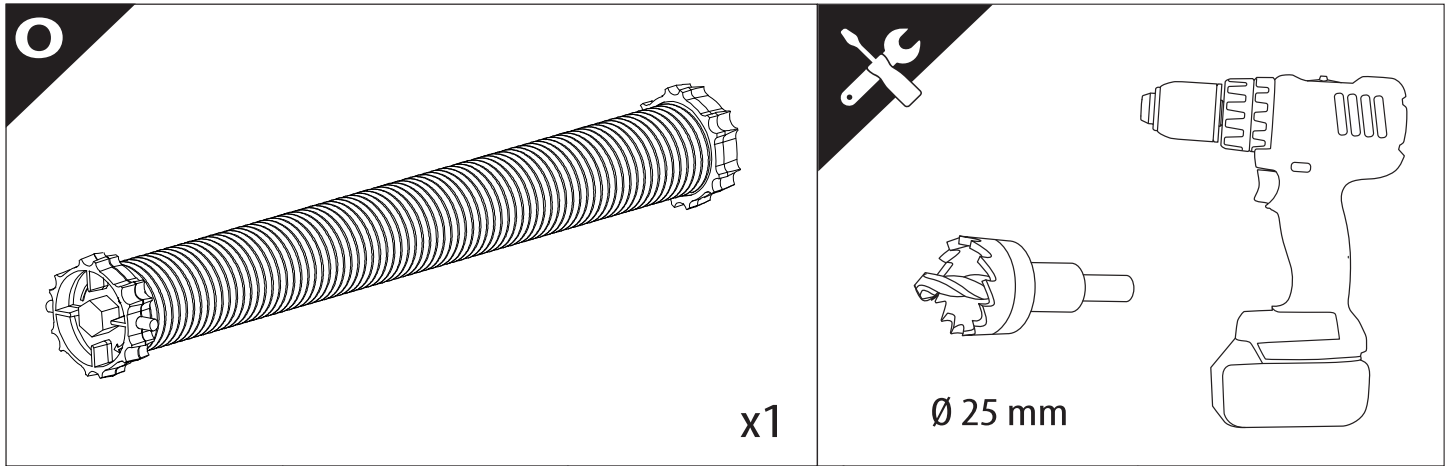
Basic Version + ⚙ S-KIT



Installation Manual

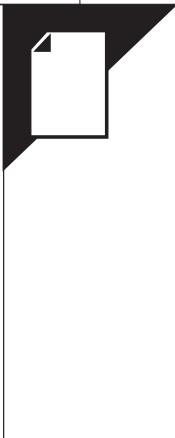
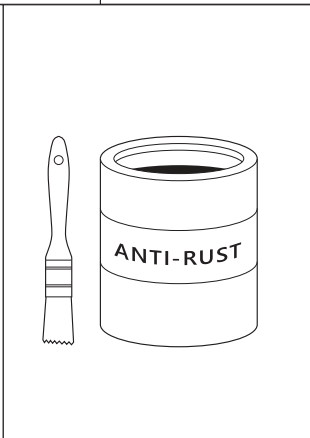
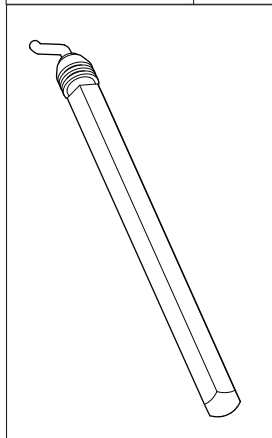
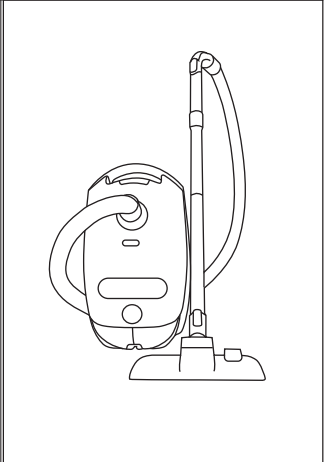
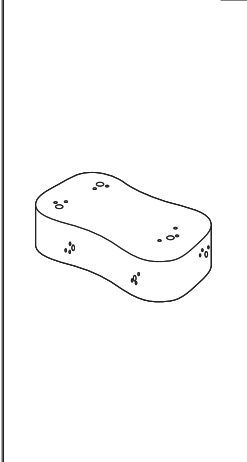
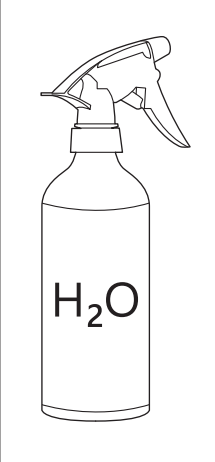
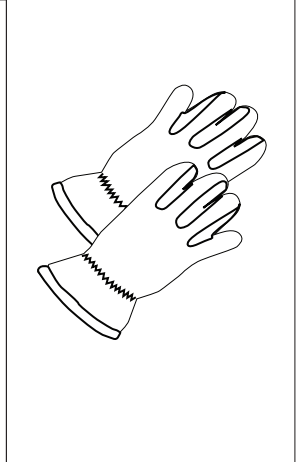
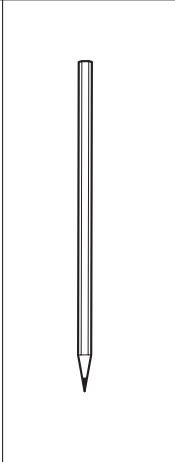
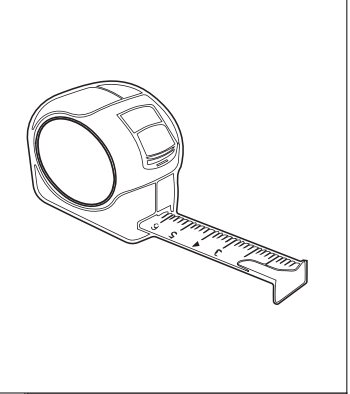
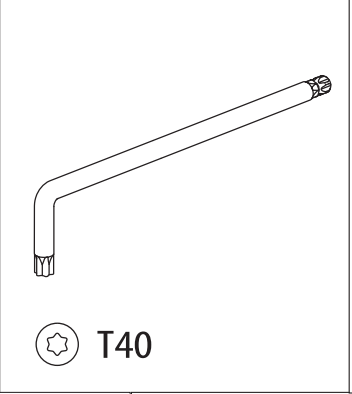
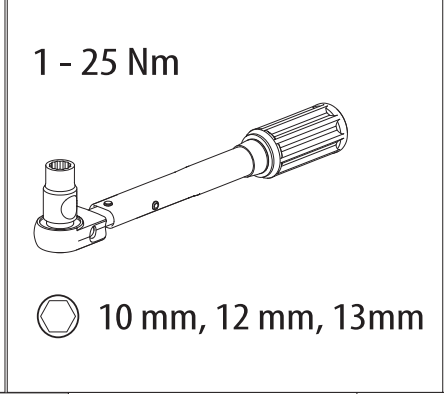
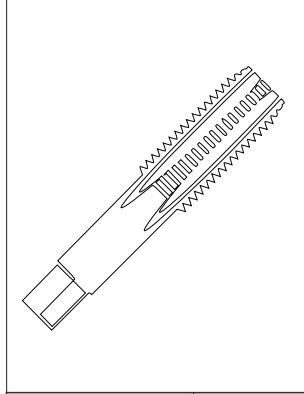
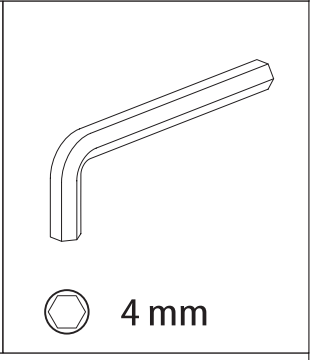
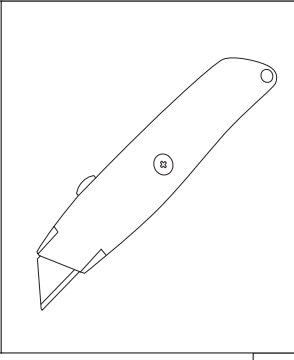
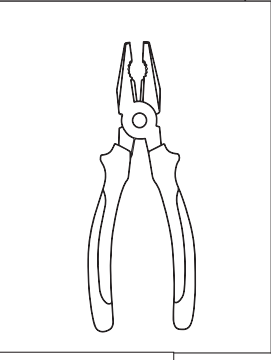
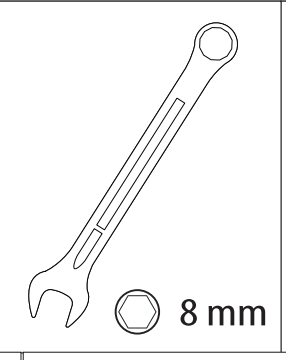
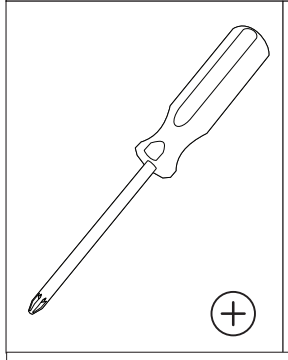
PART NUMBER(S)	Model Year
TESS 1422 ROLL+S-KIT	JEEP GLADIATOR (no-c-channels)
Cab(s)	Installation Time / Weight
Double Cab	40-60 minutes / 53-57 kg



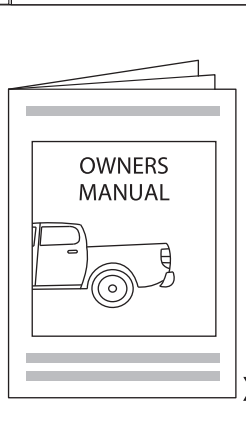


x1

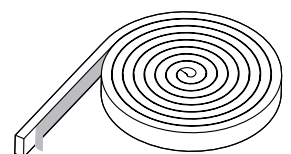
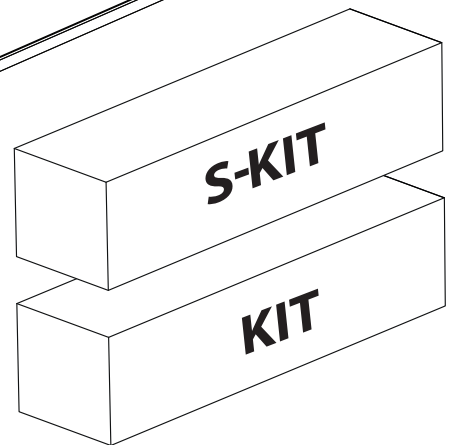
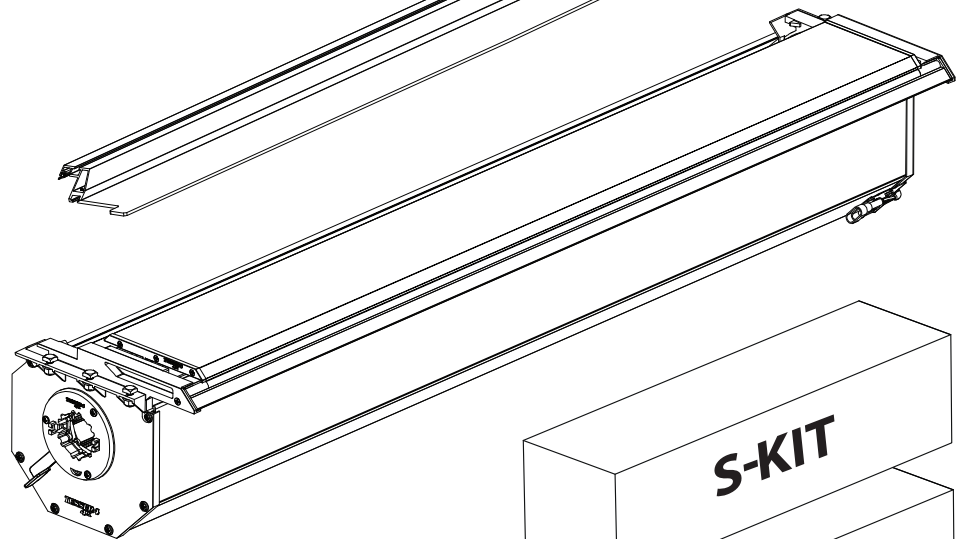
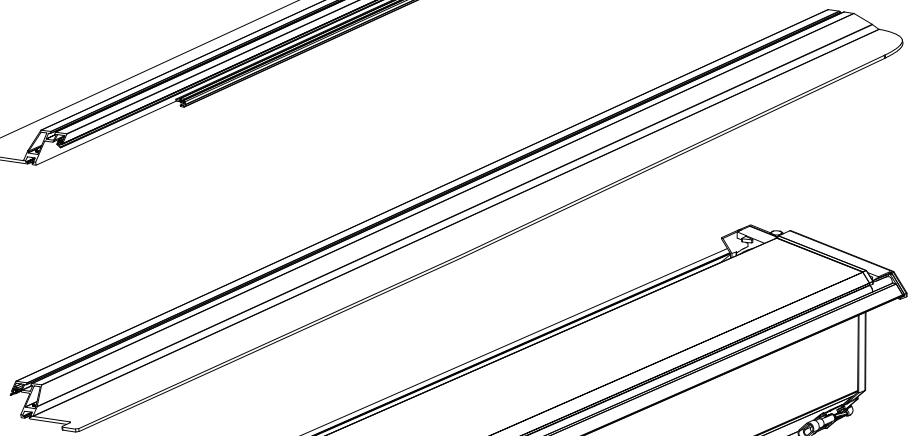
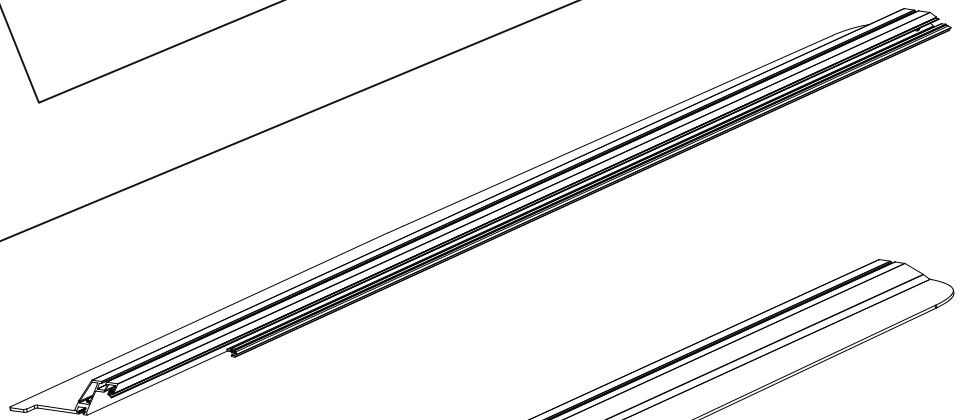
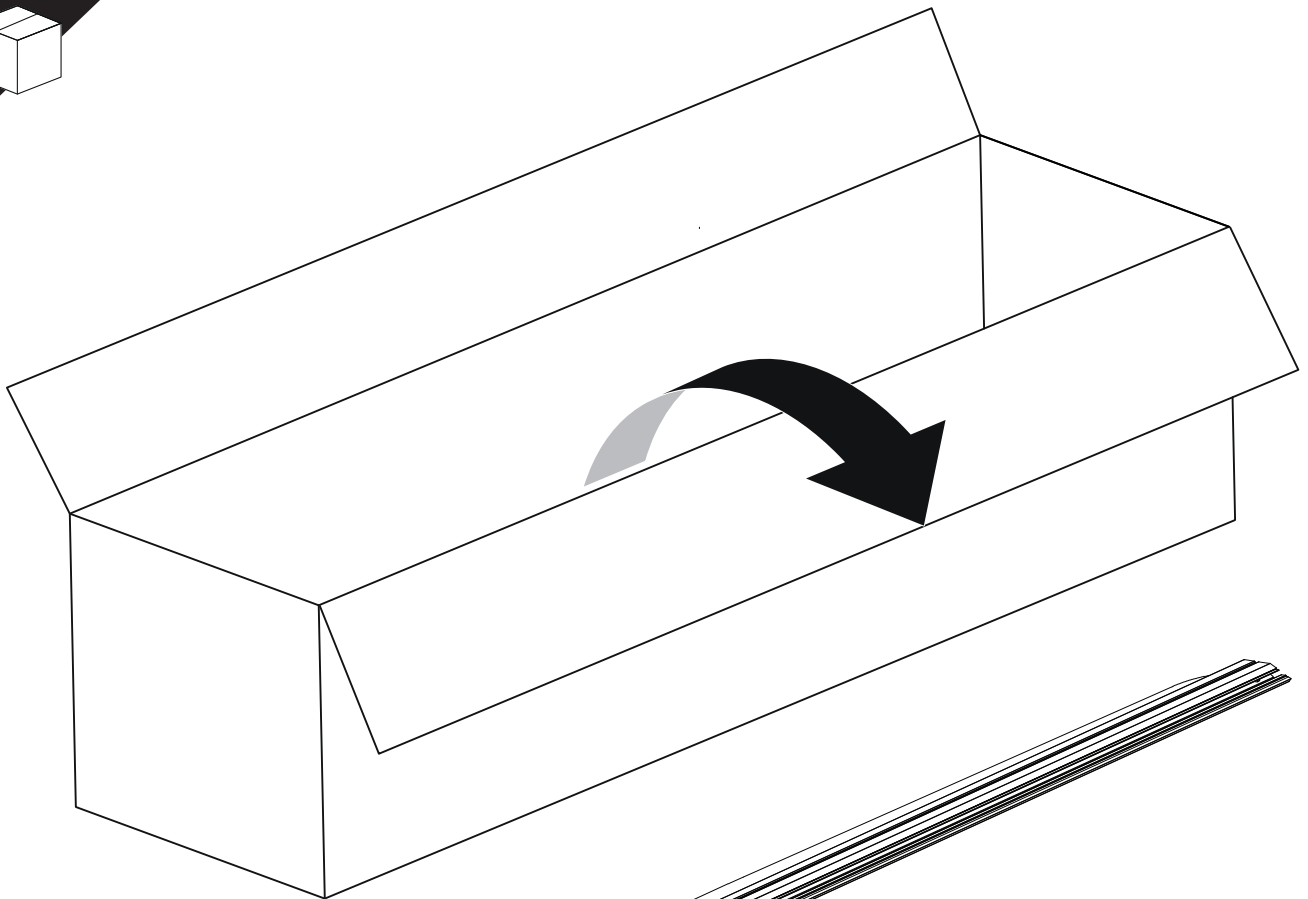
Ø 25 mm



x1



x1

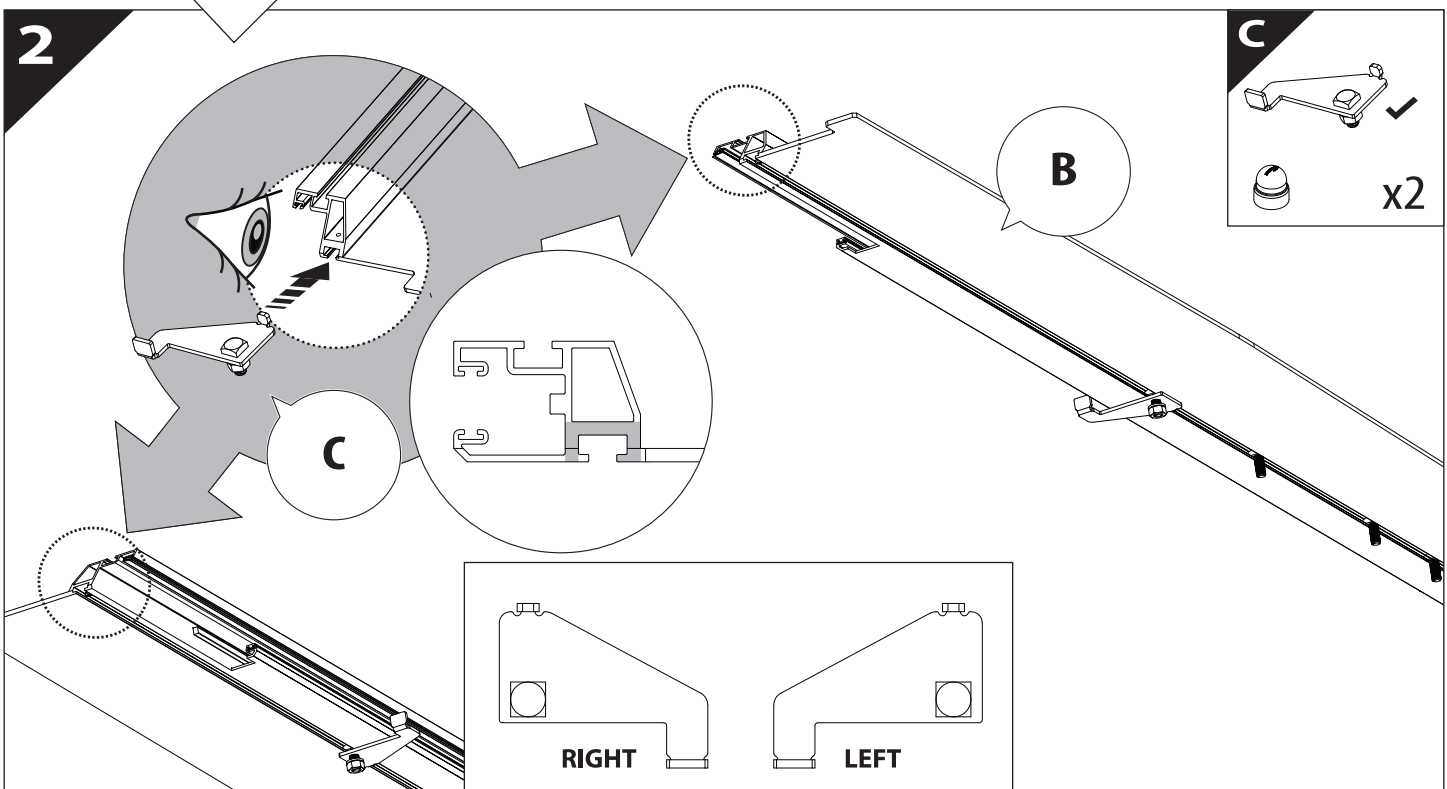
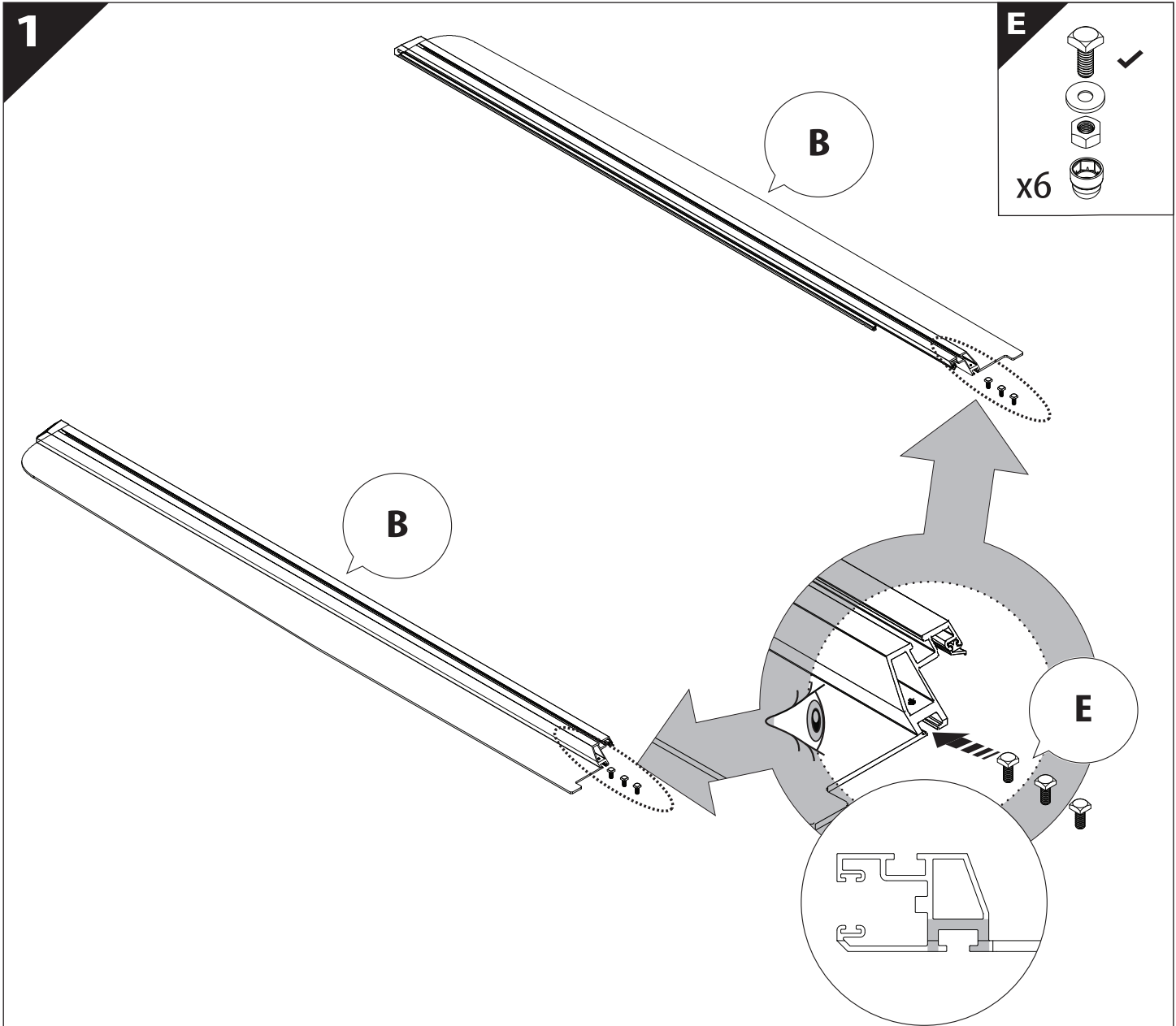


B

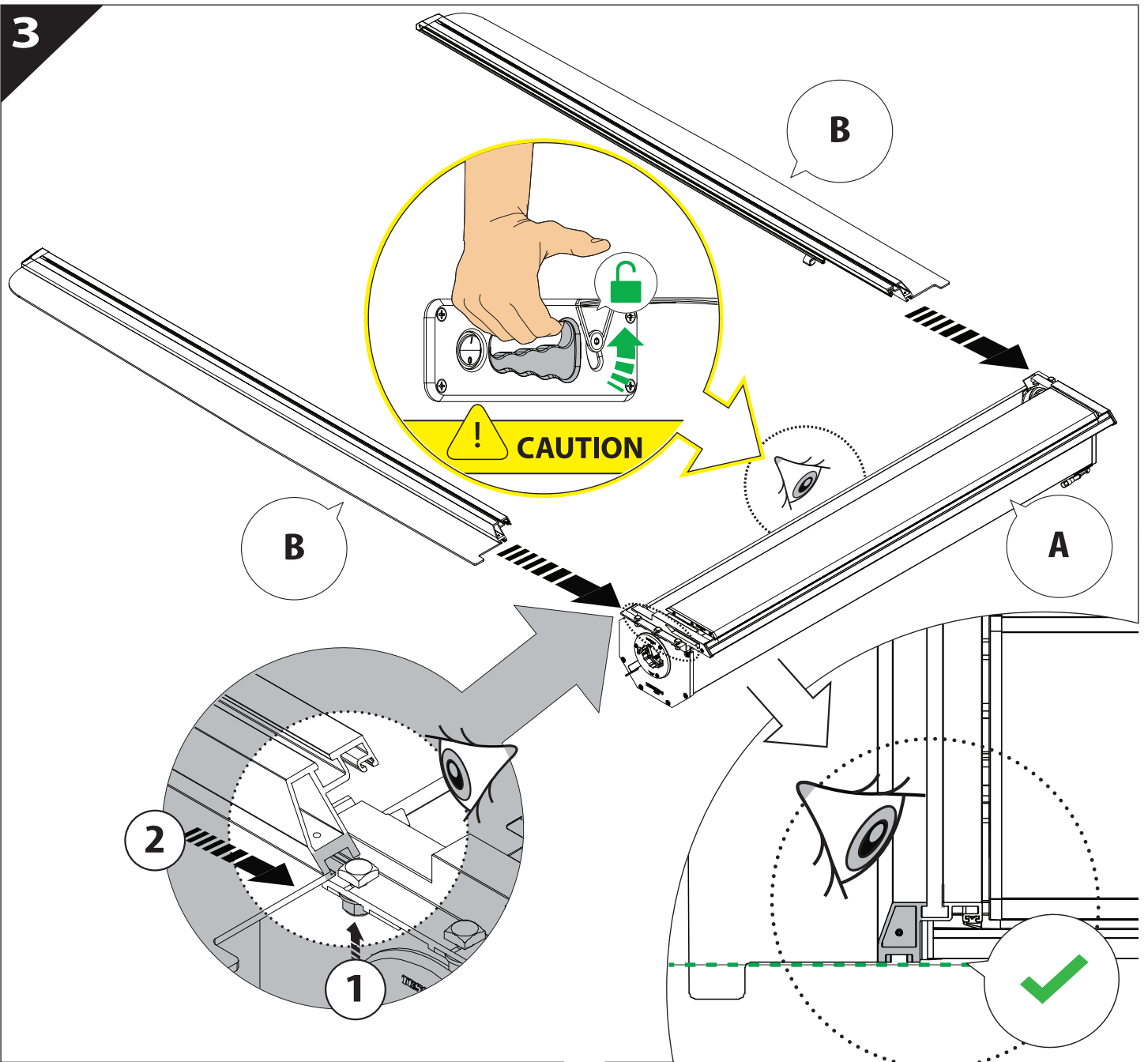
A

KITS

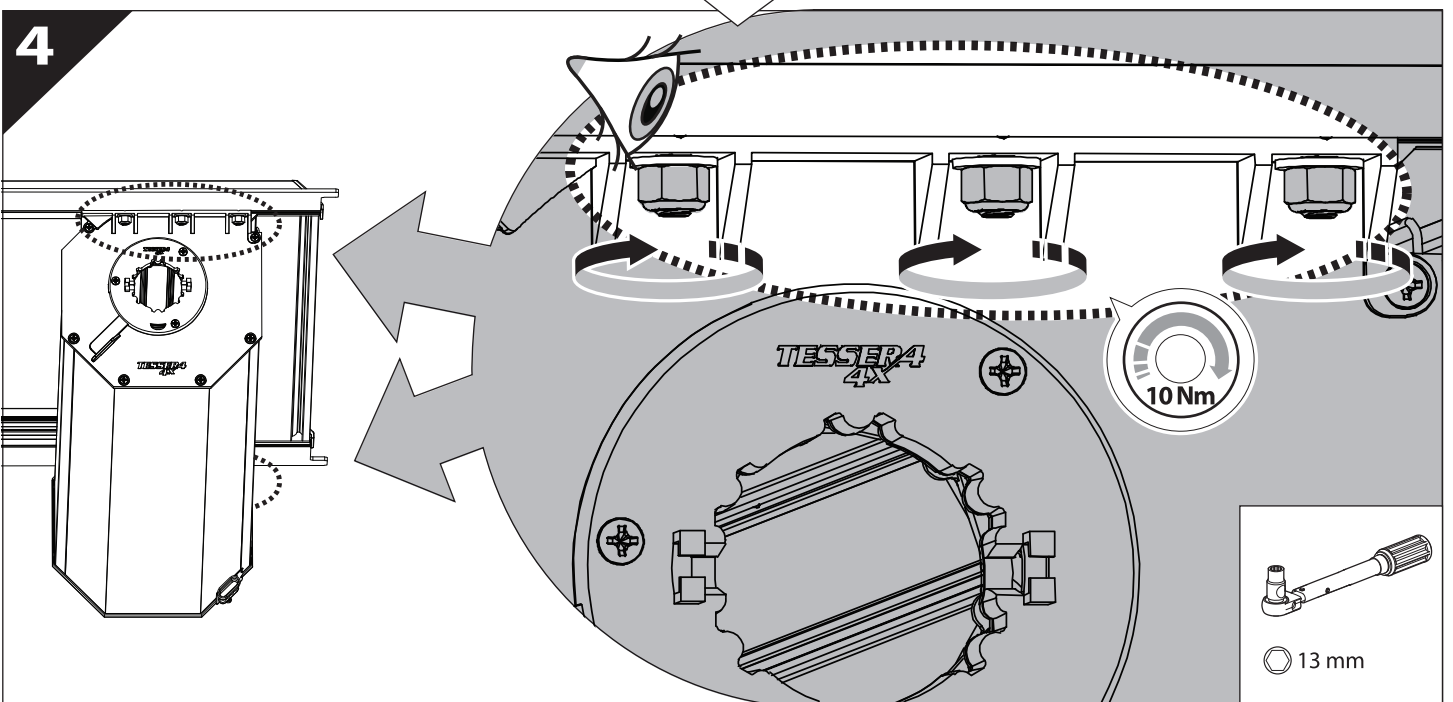
L

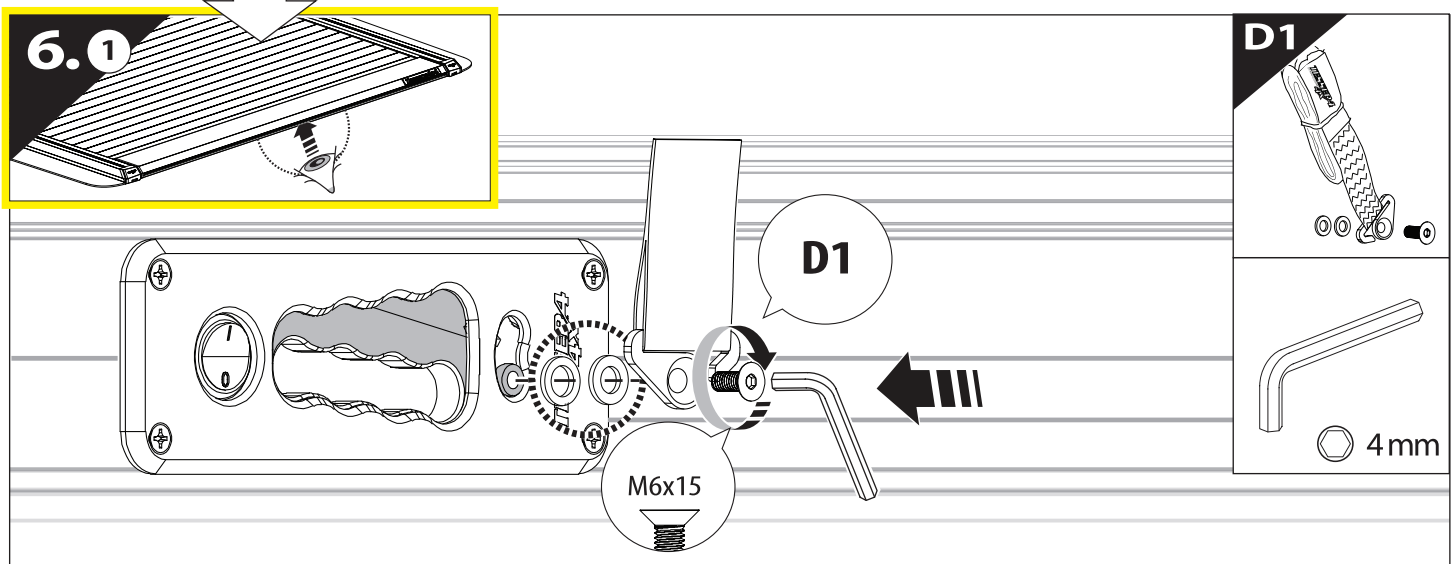
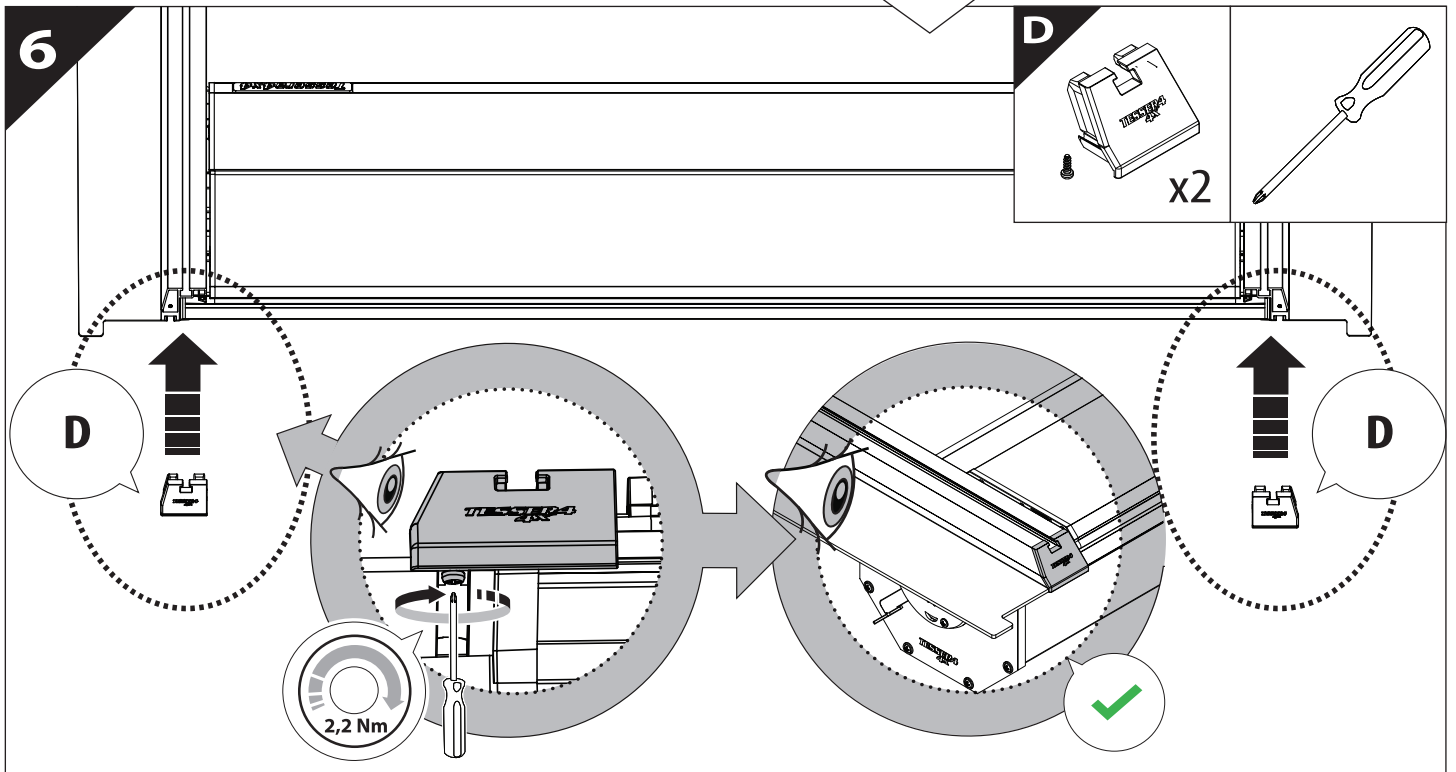
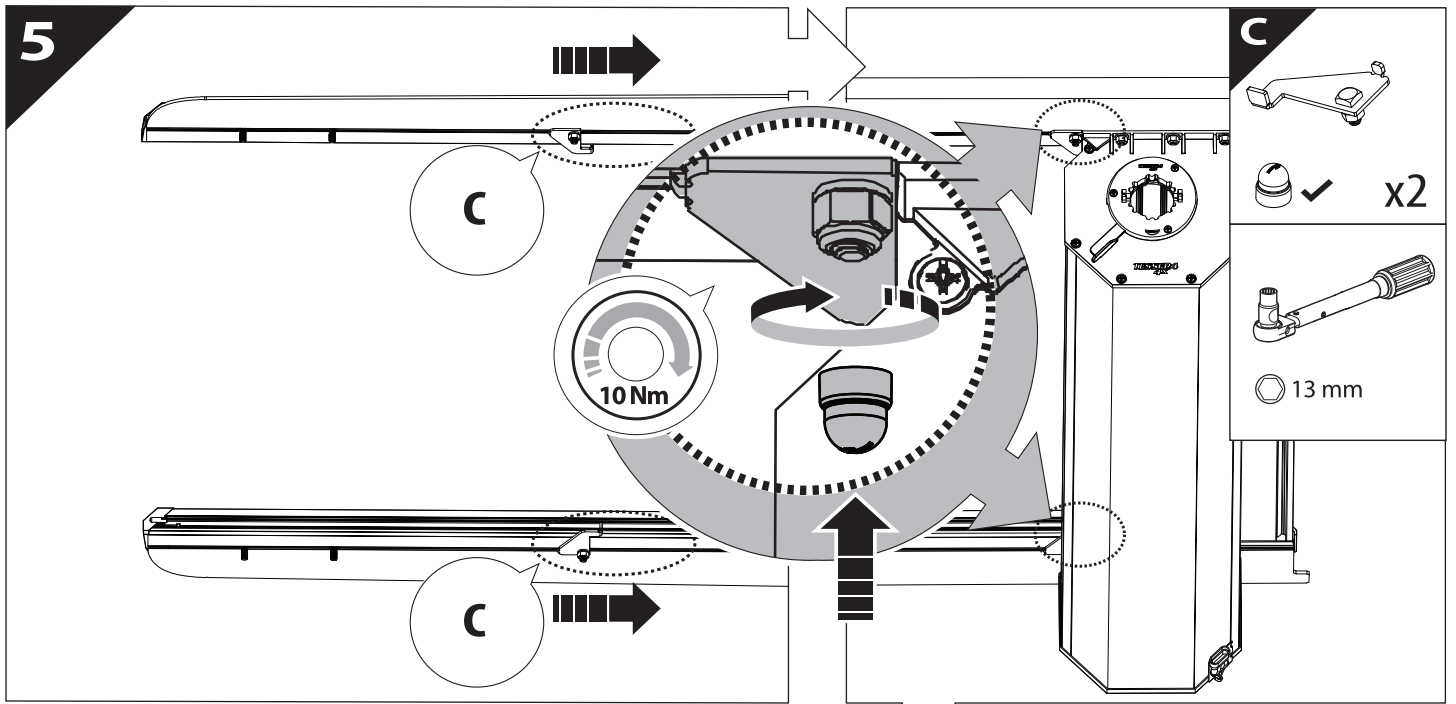


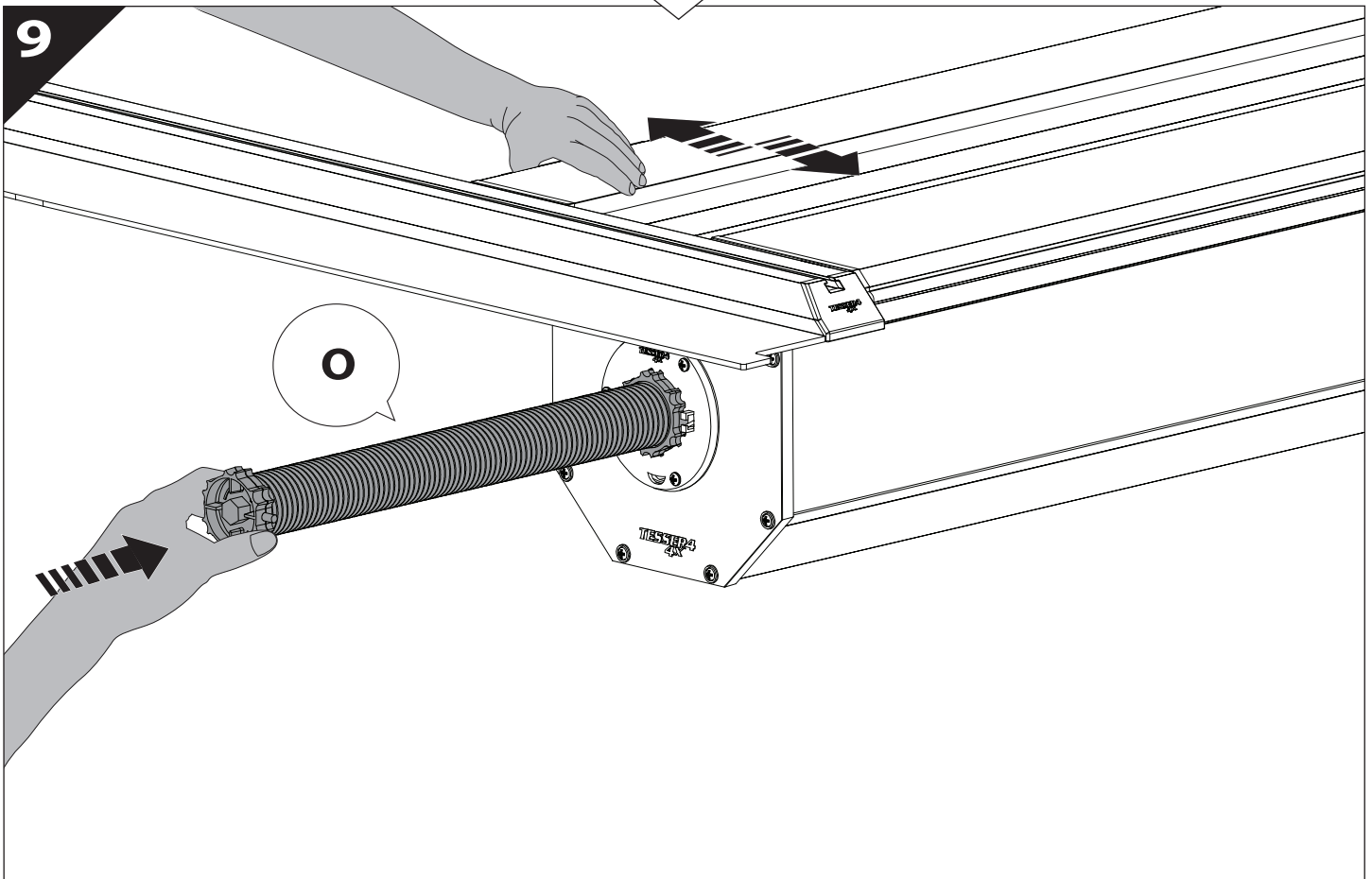
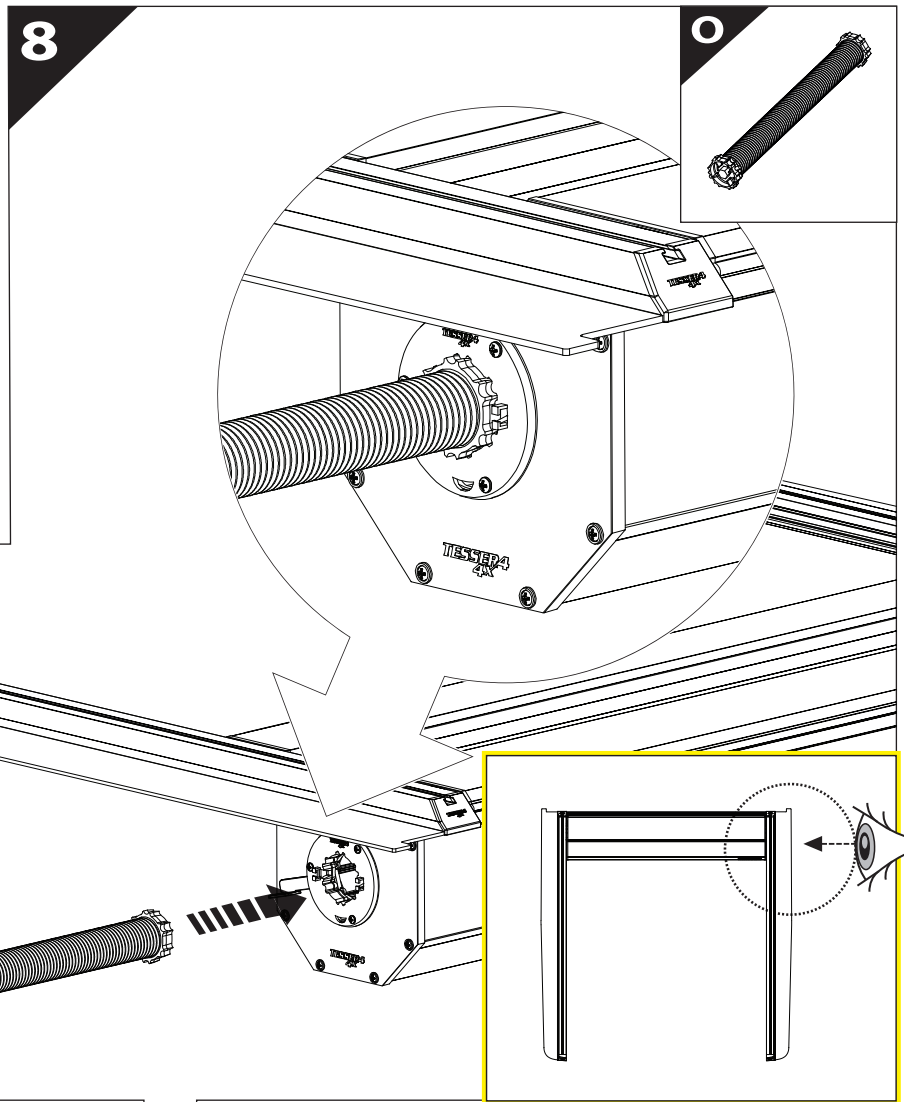
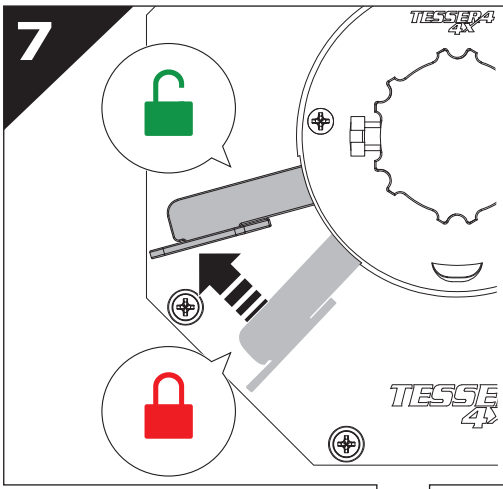
3



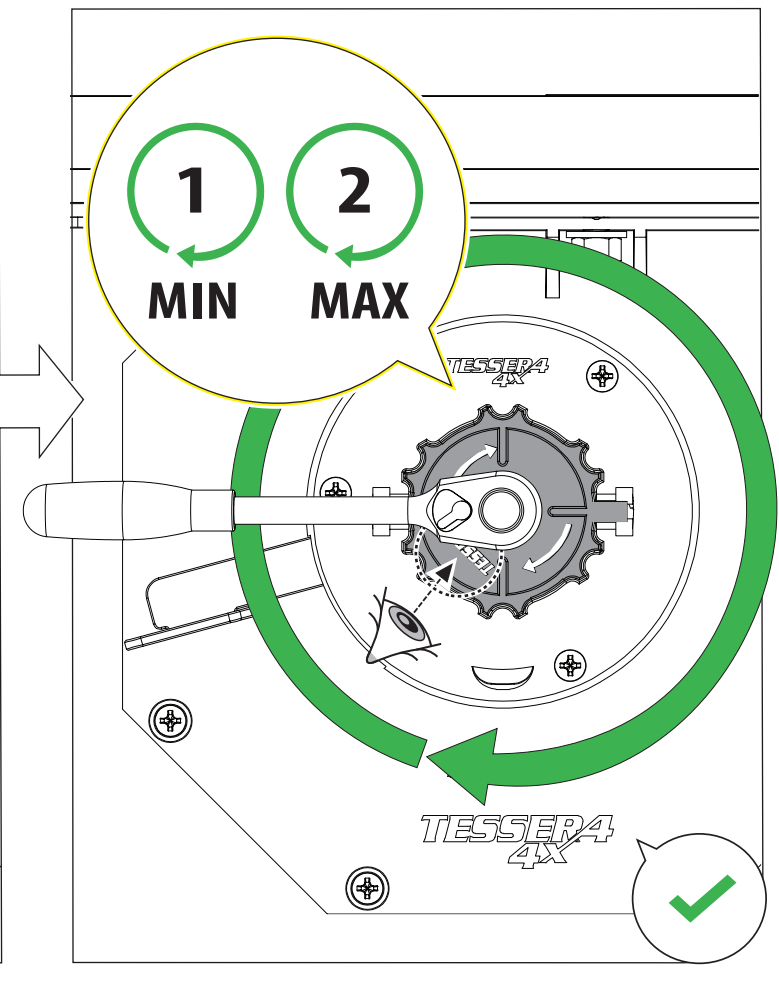
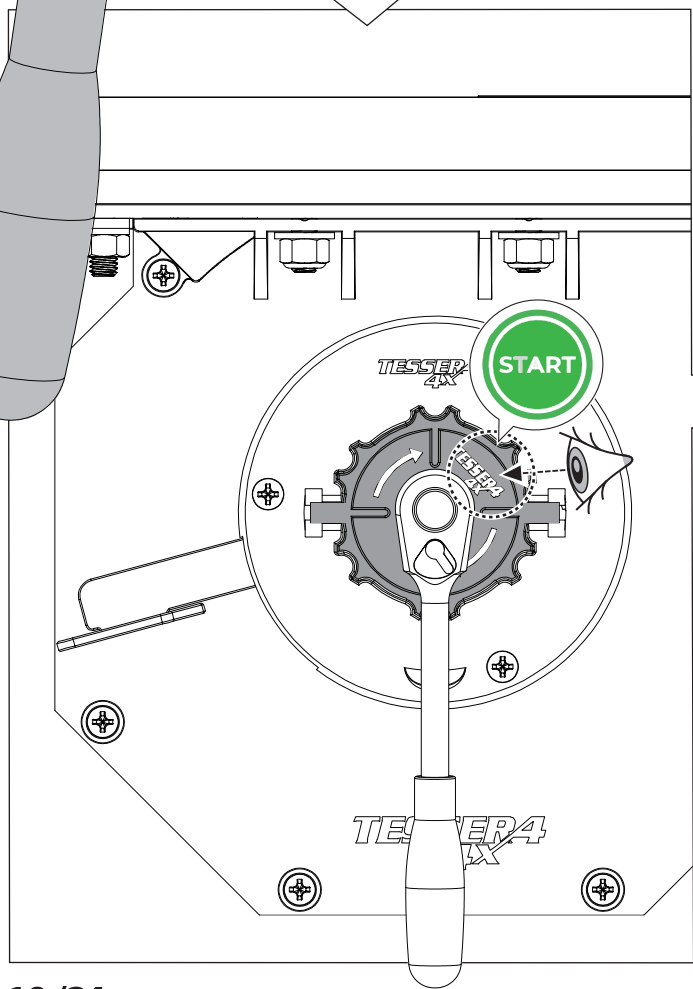
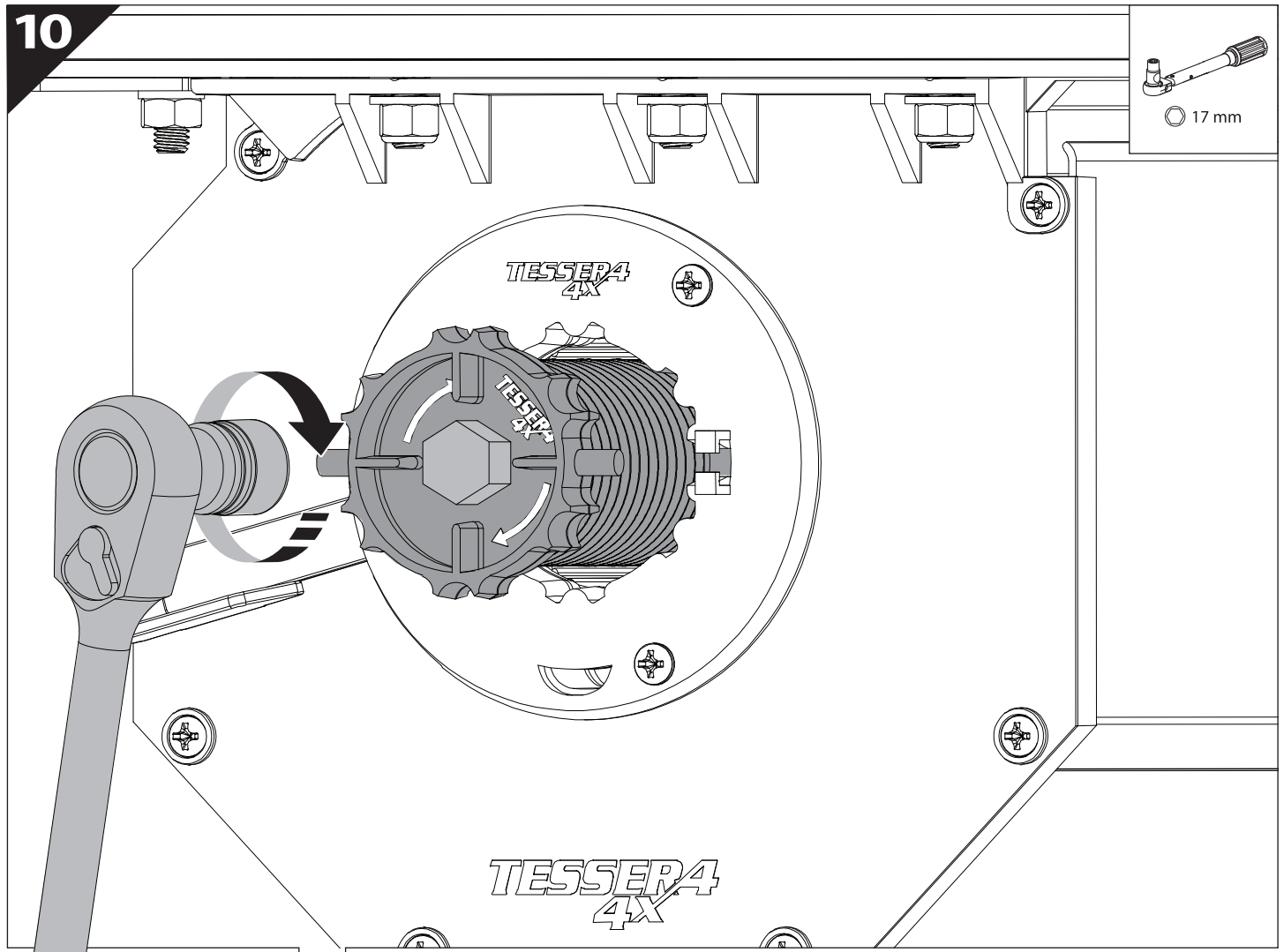
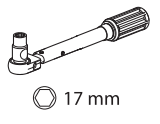
4

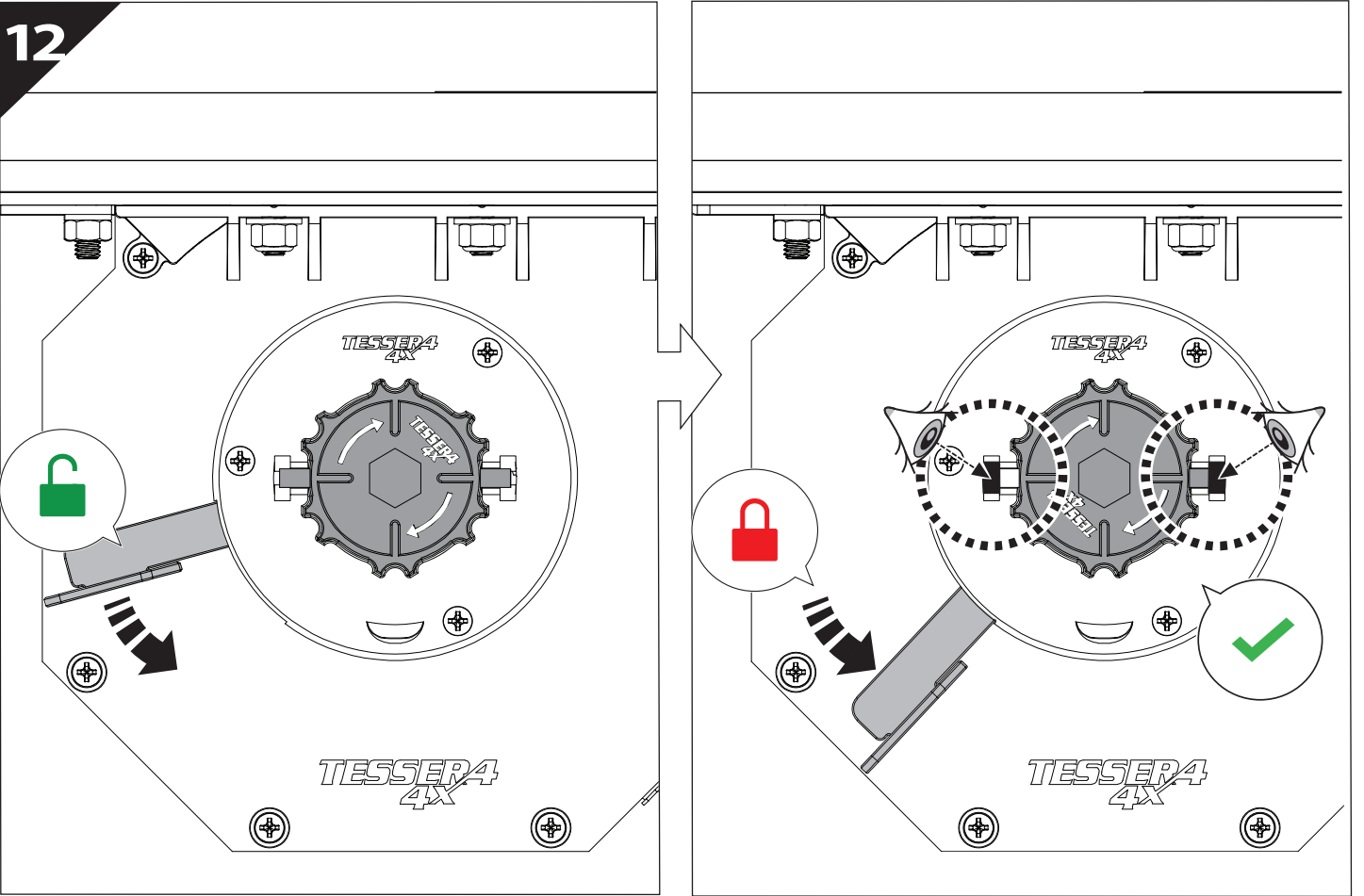
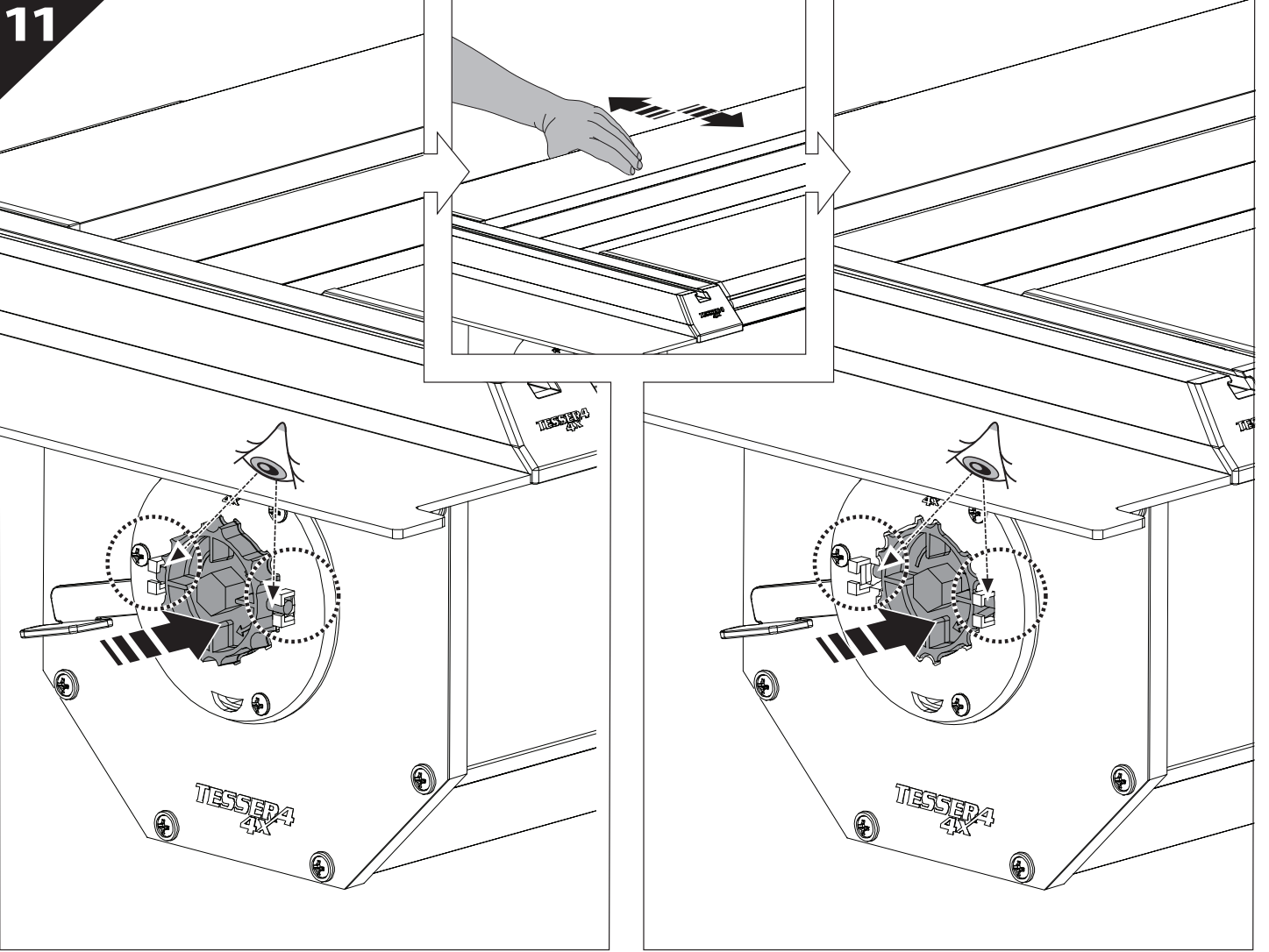




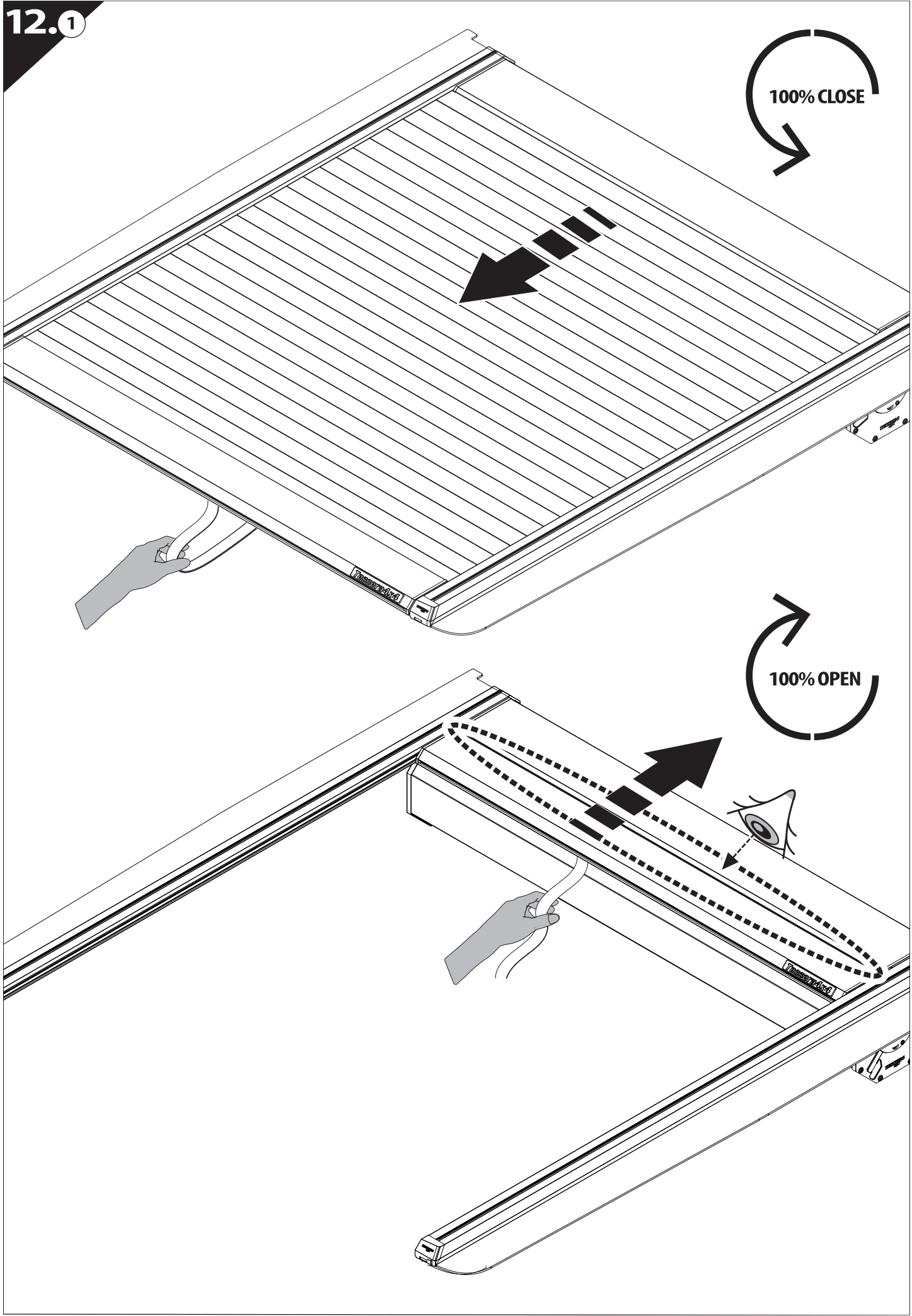


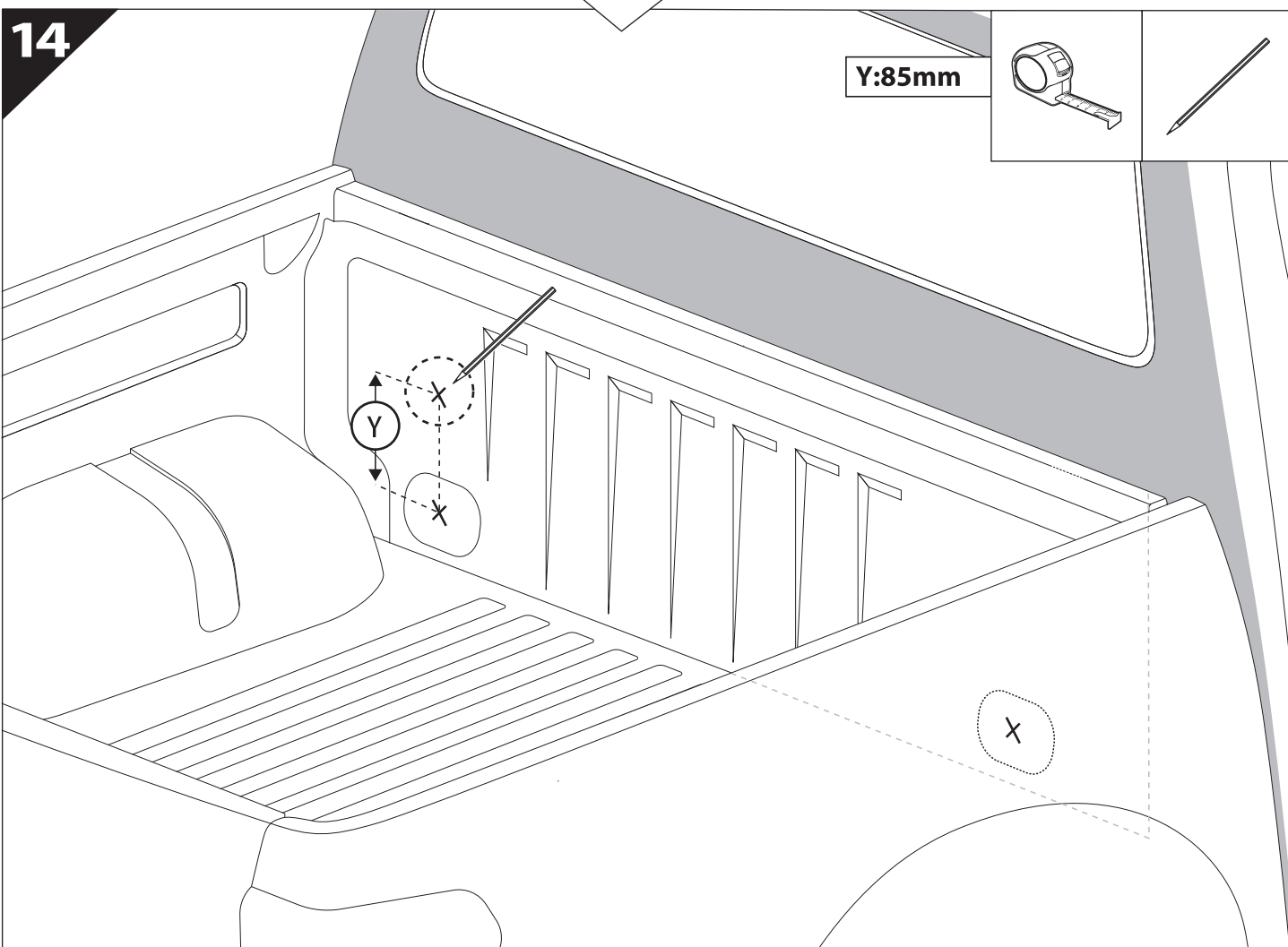
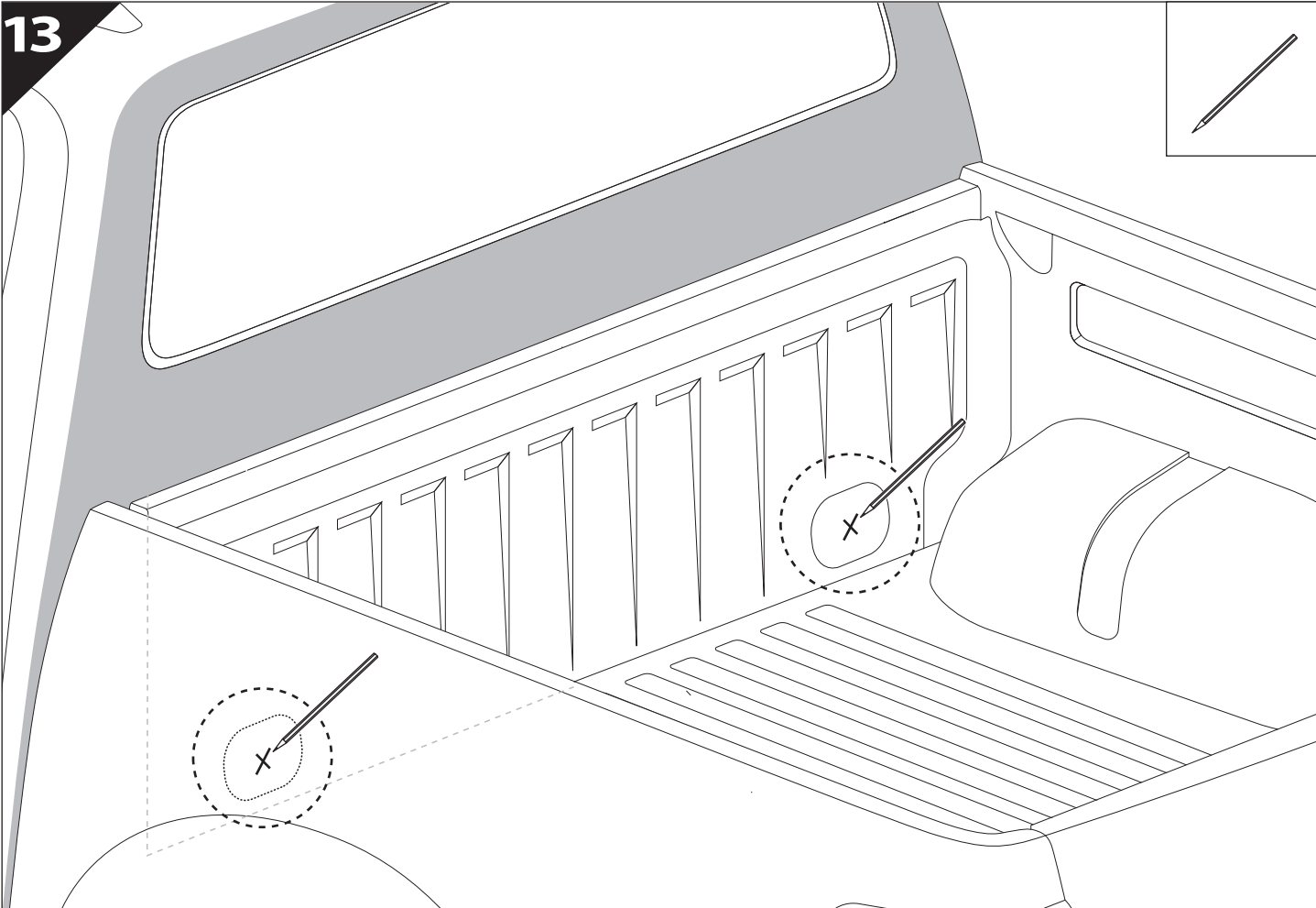
10





12.0





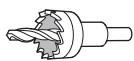
15

CAUTION

max: 2 mm

CAUTION

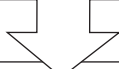
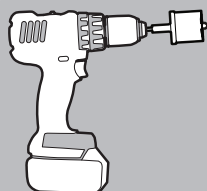
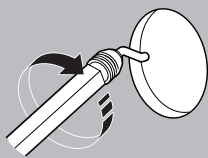
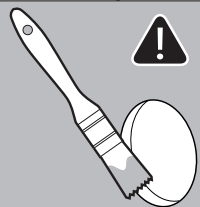
5 mm



Ø 25 mm

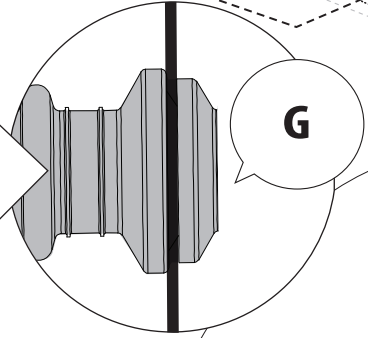
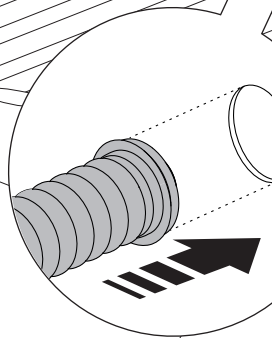
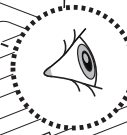


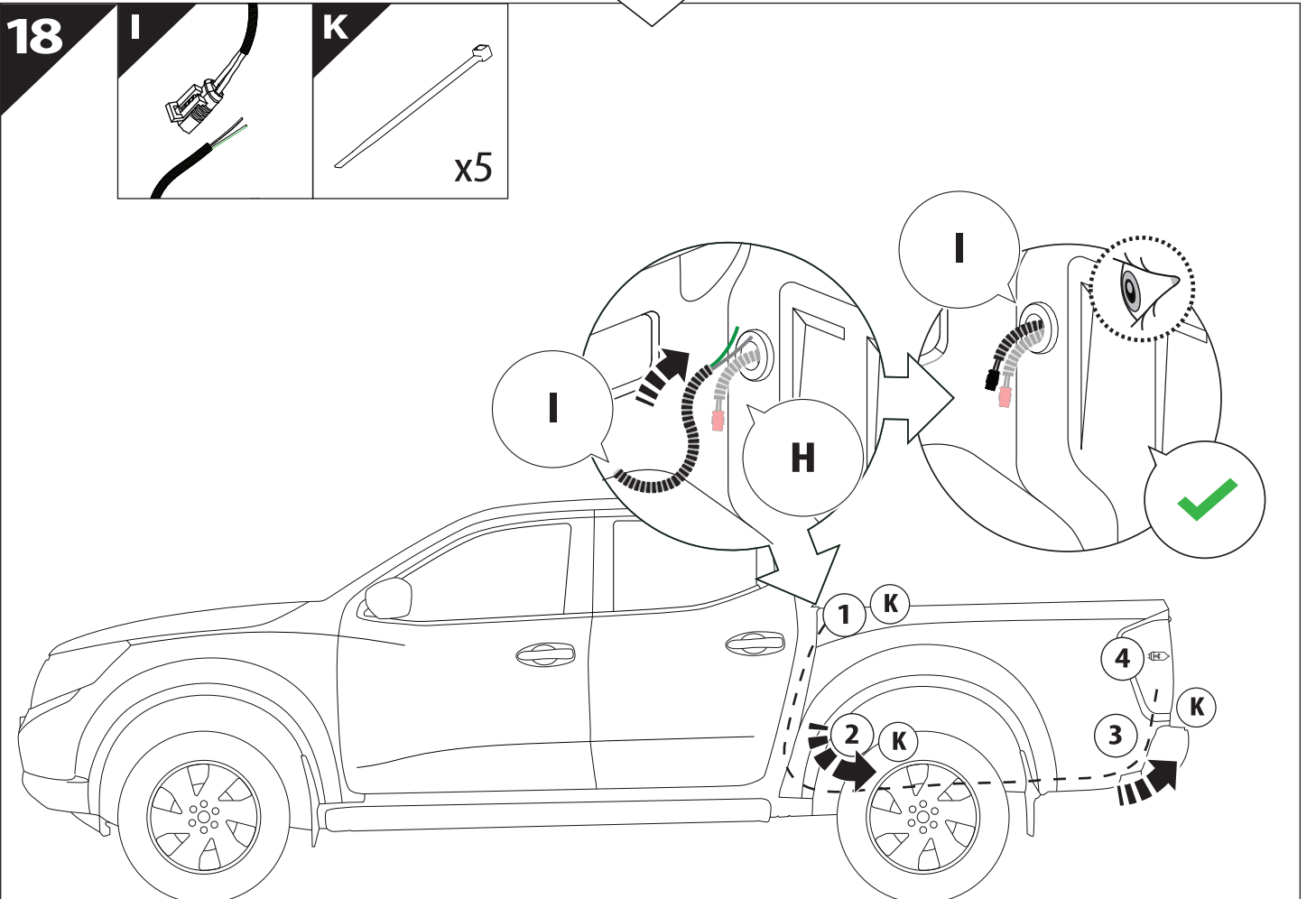
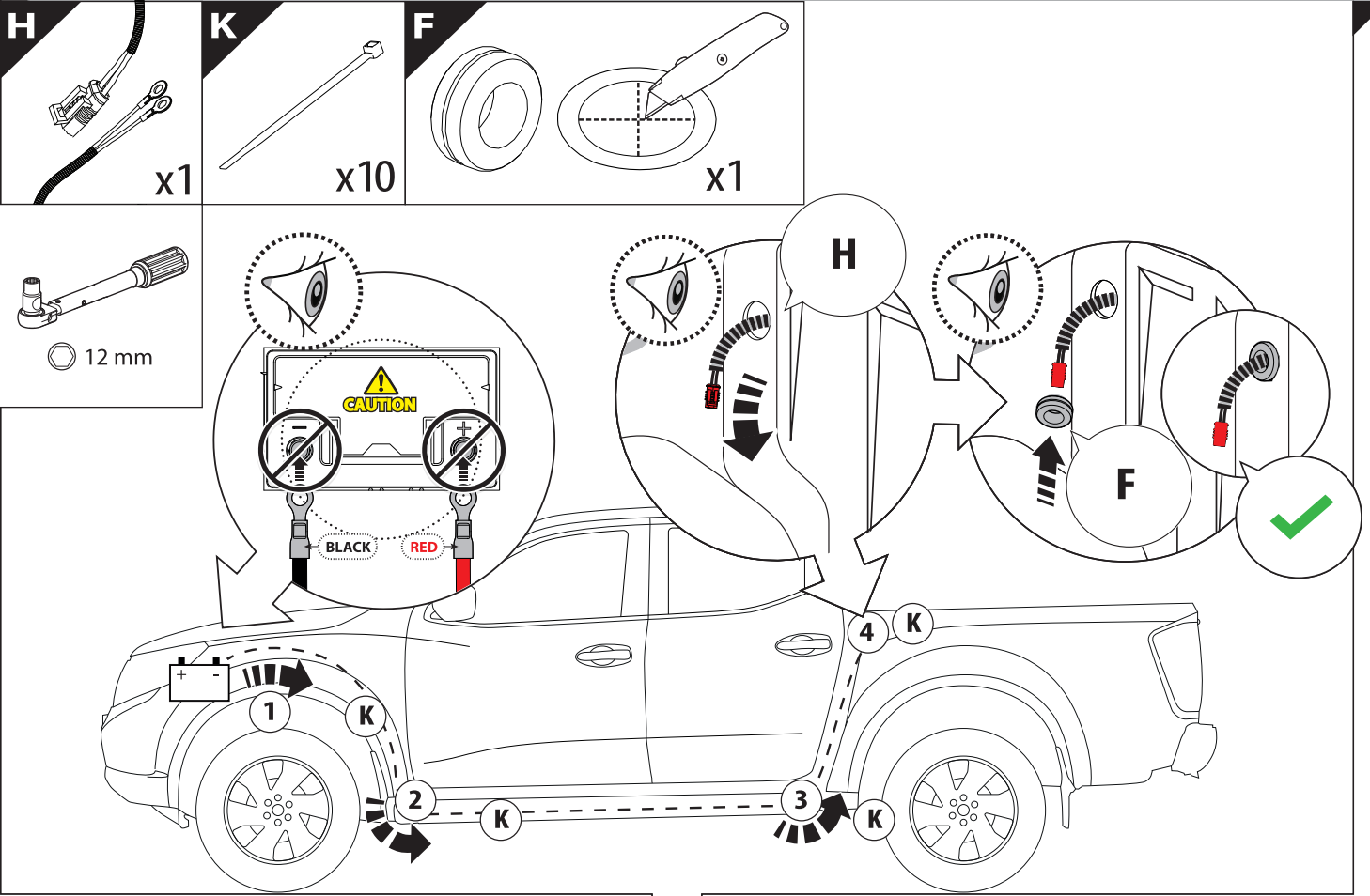
Rust Protection



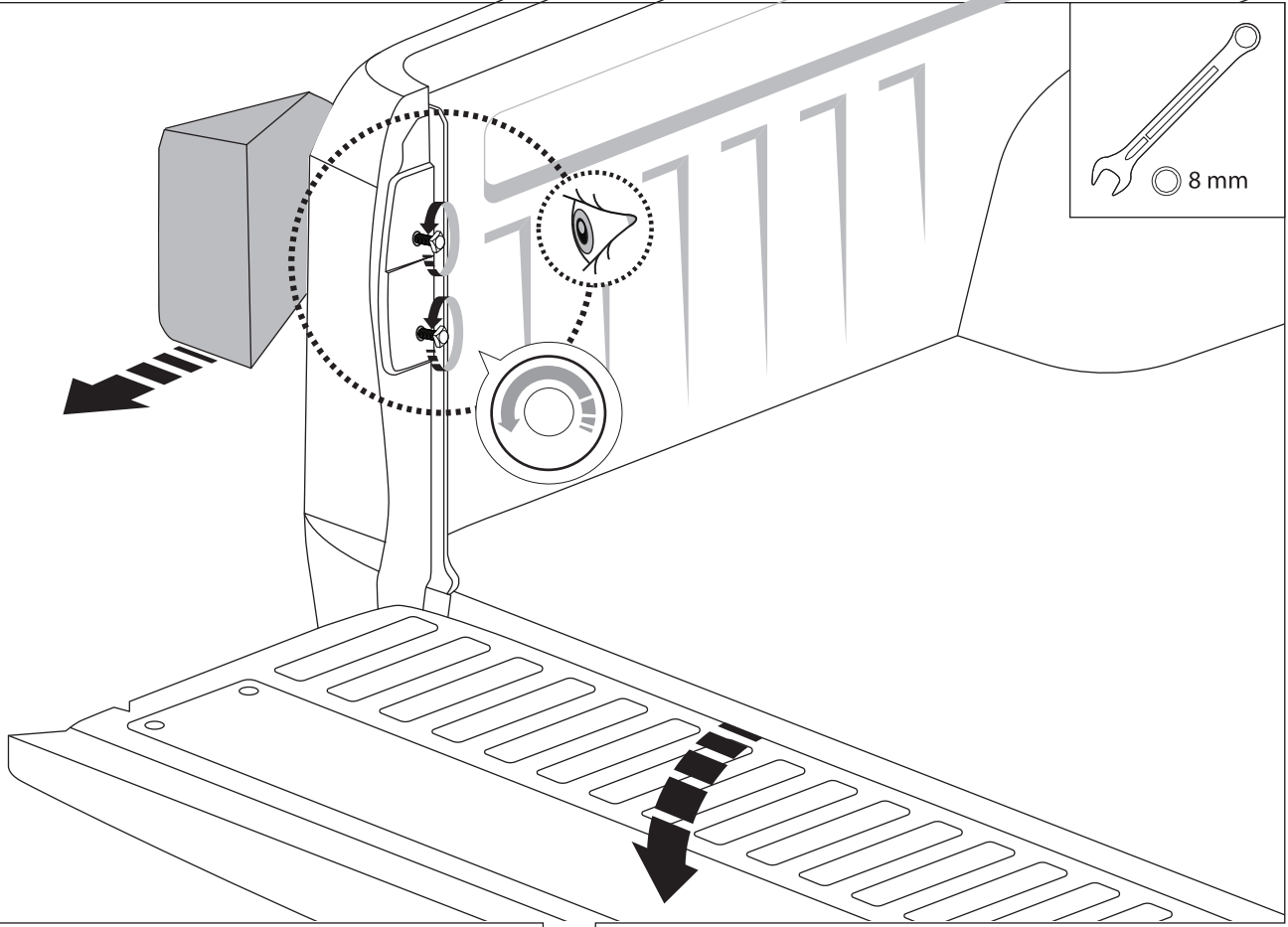
16

G

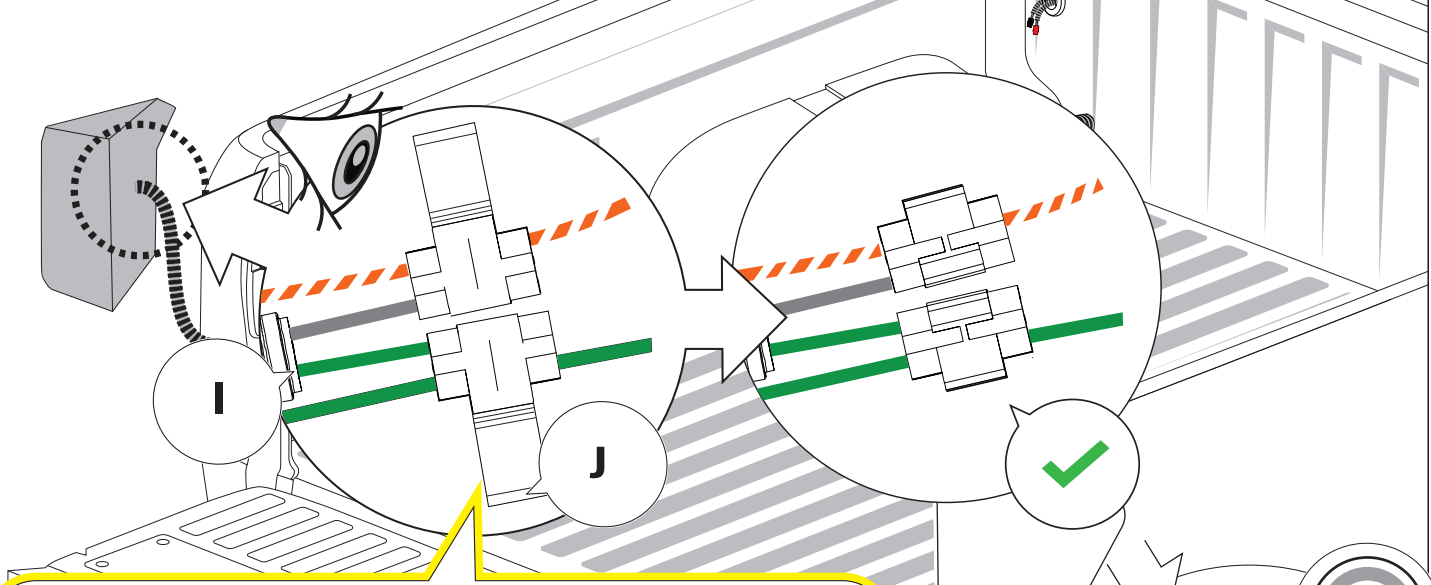
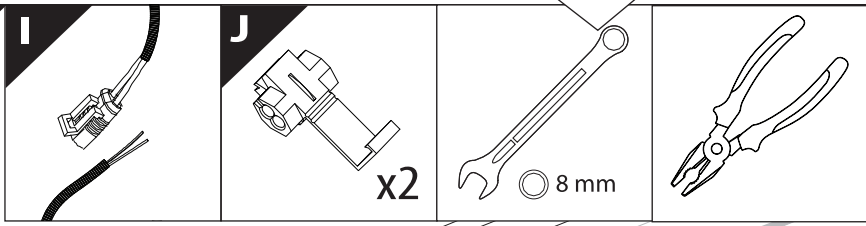




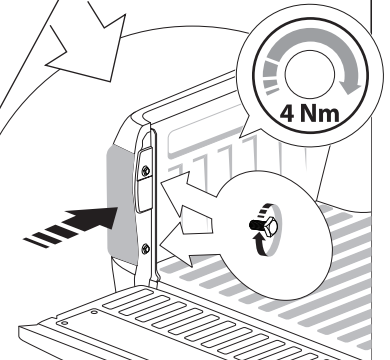
19



20



MODEL YEAR	LIGHTS	CAR	TESSERA ROLL+
2020+	BEAM	↔	
2020+	STOP	↔	
MODEL YEAR	LIGHTS	CAR	TESSERA ROLL+
2022+	BEAM	↔	
2022+	STOP	↔	



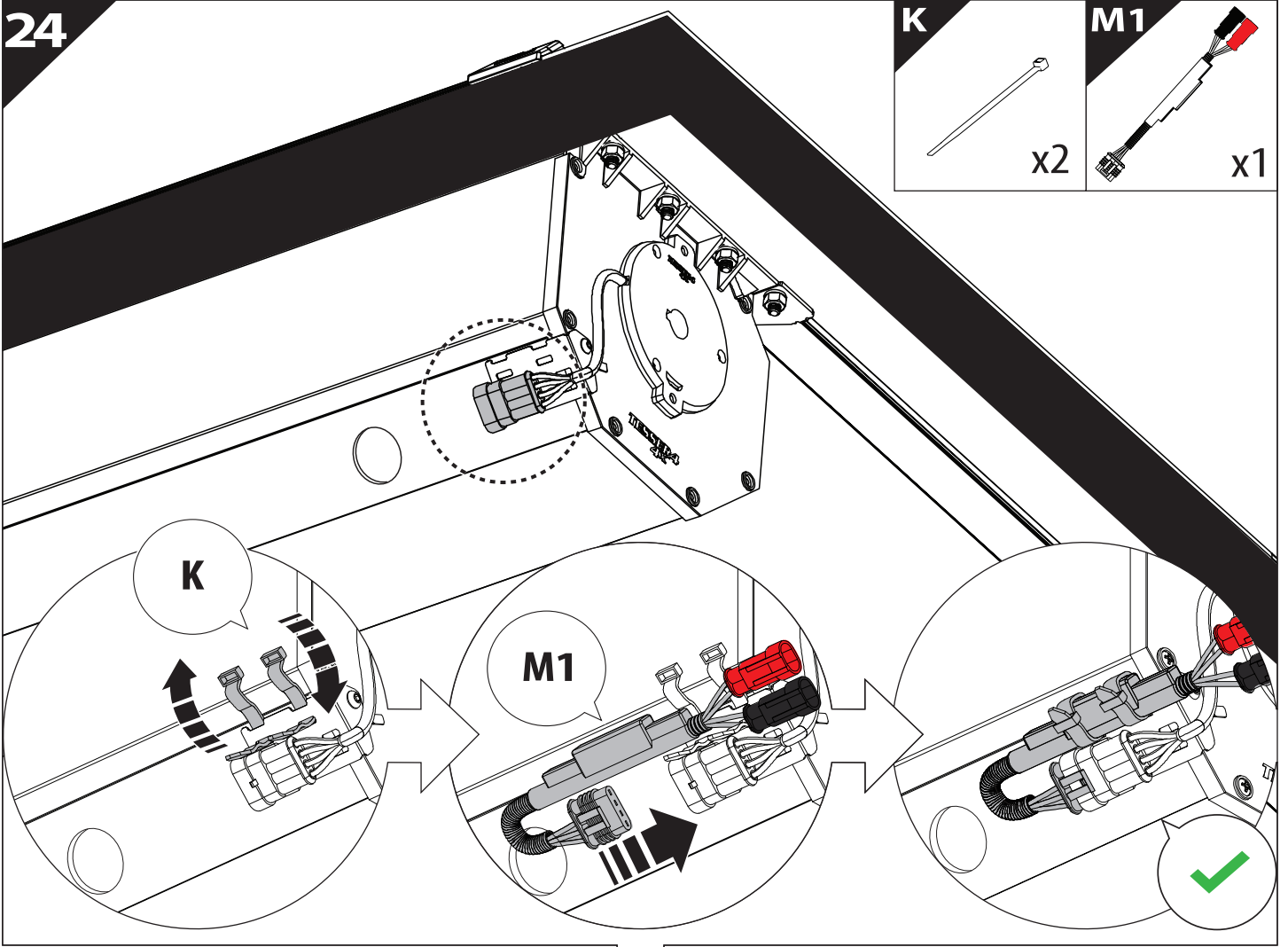
24

K

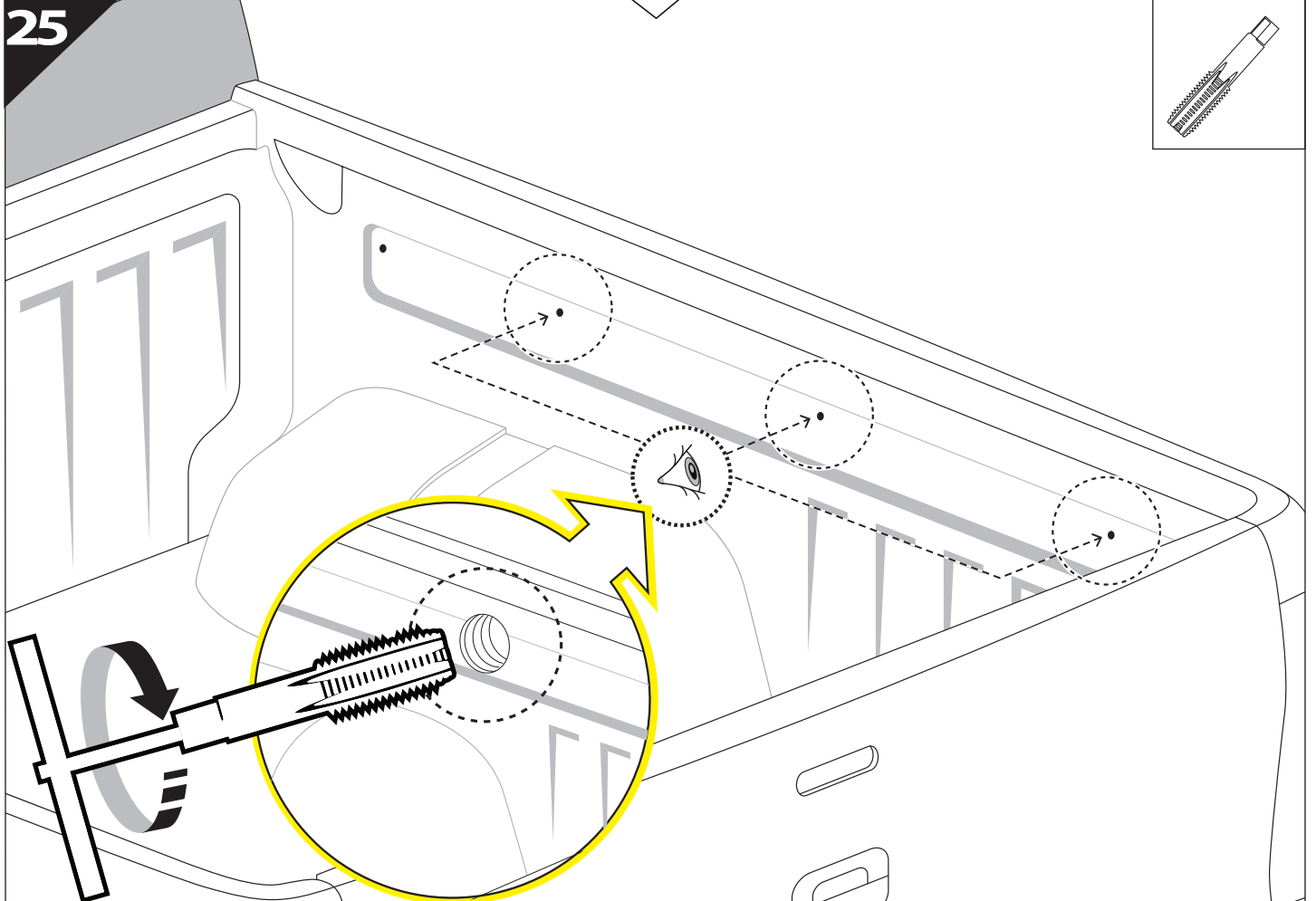
M1

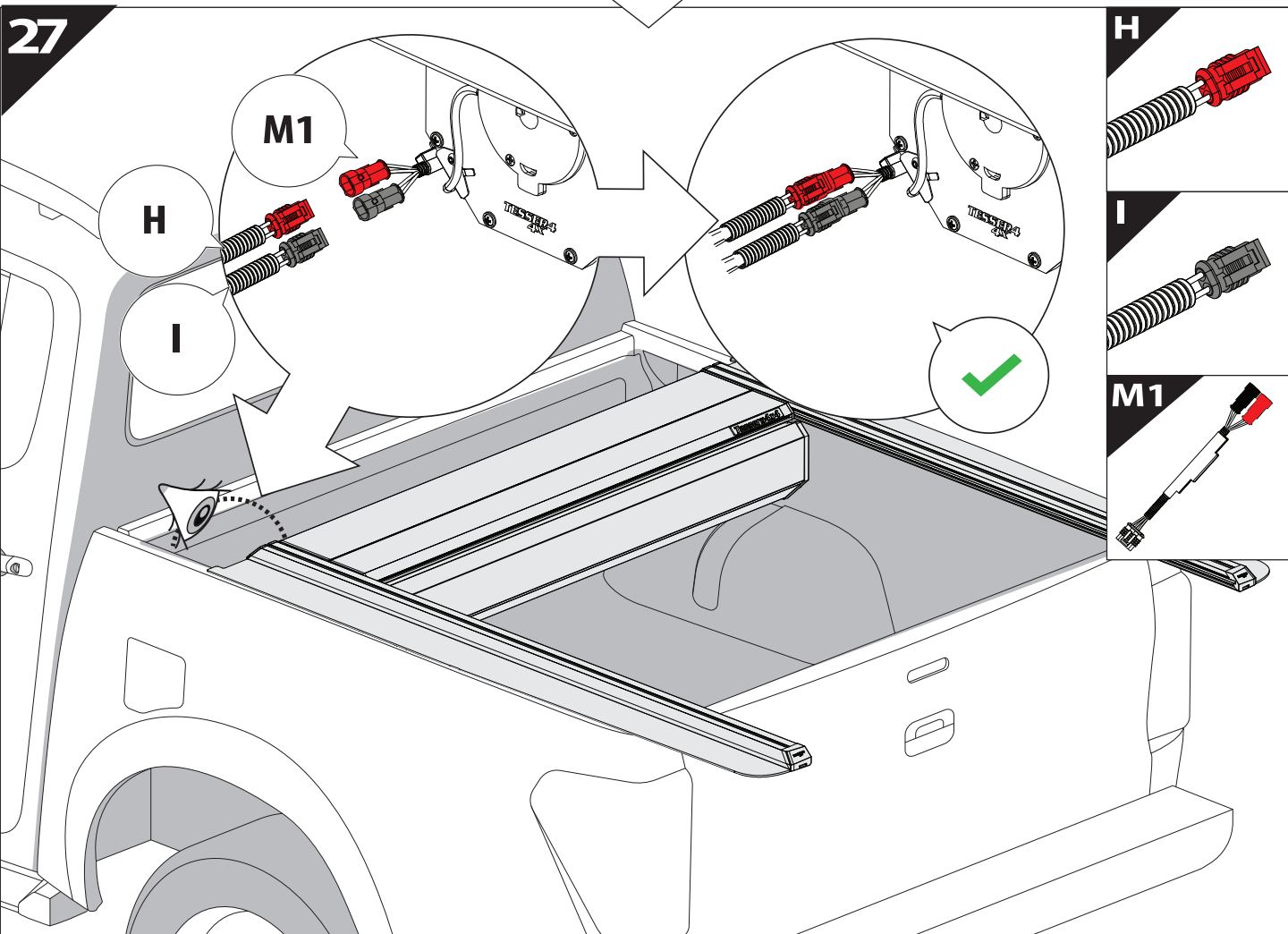
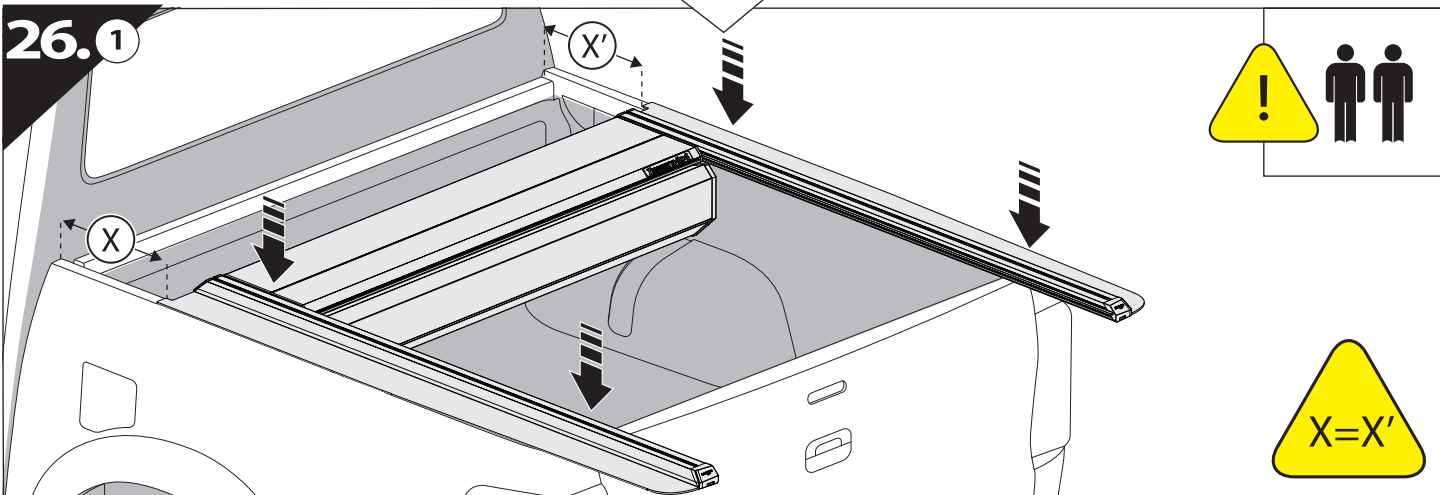
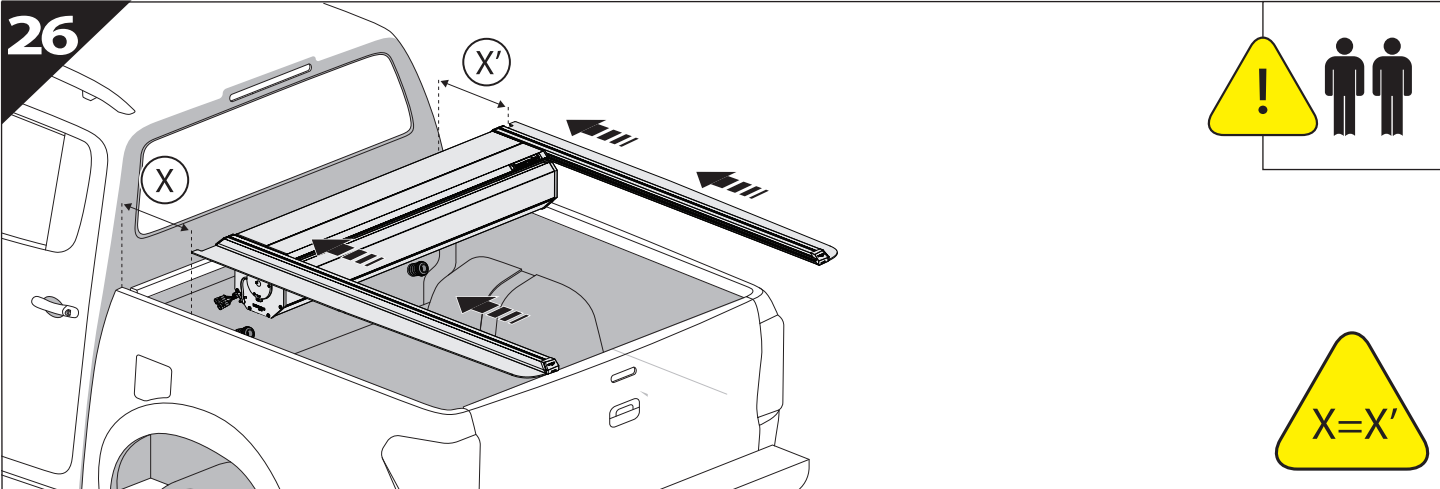
x2

x1

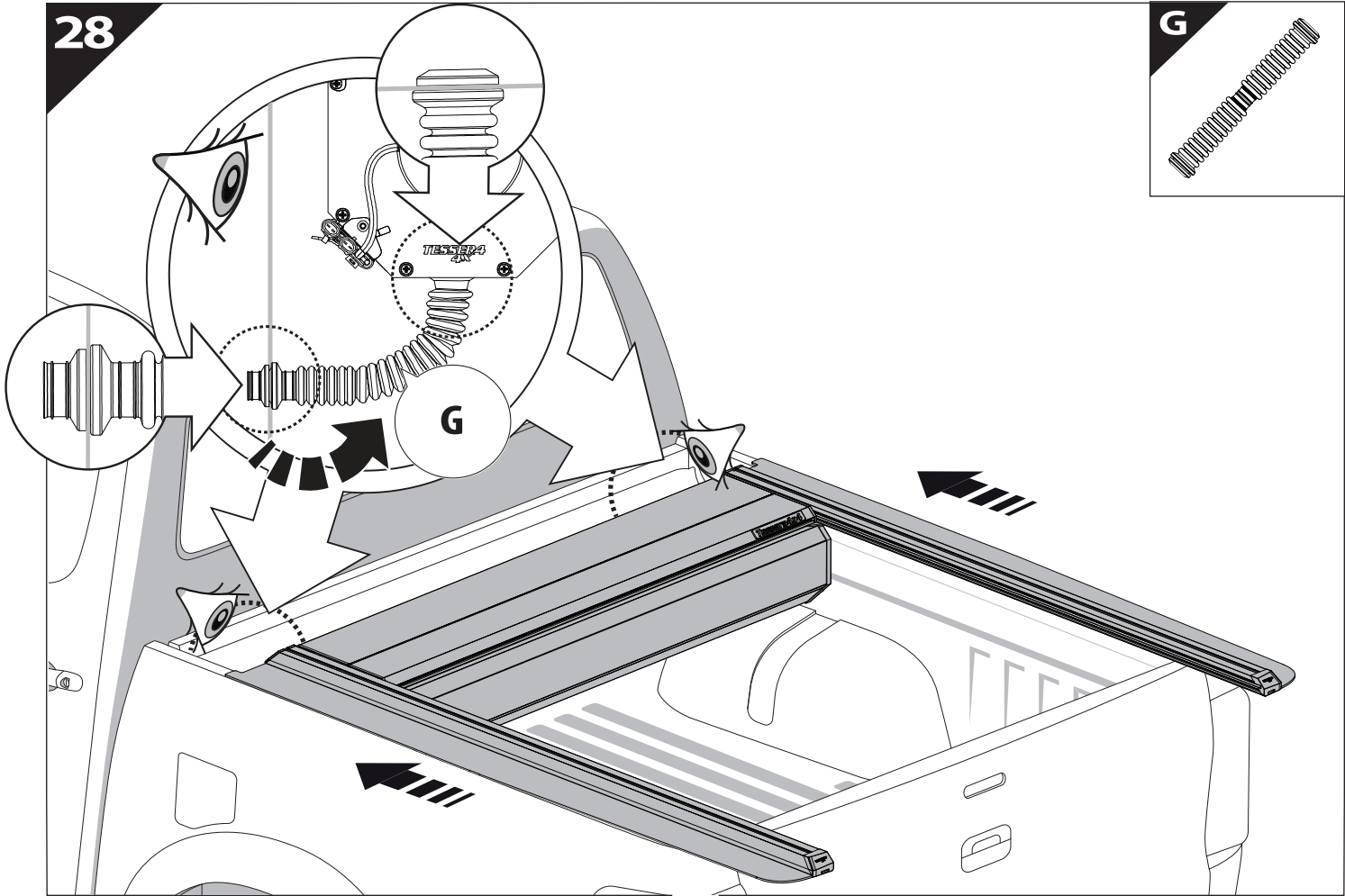


25

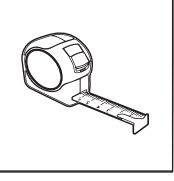
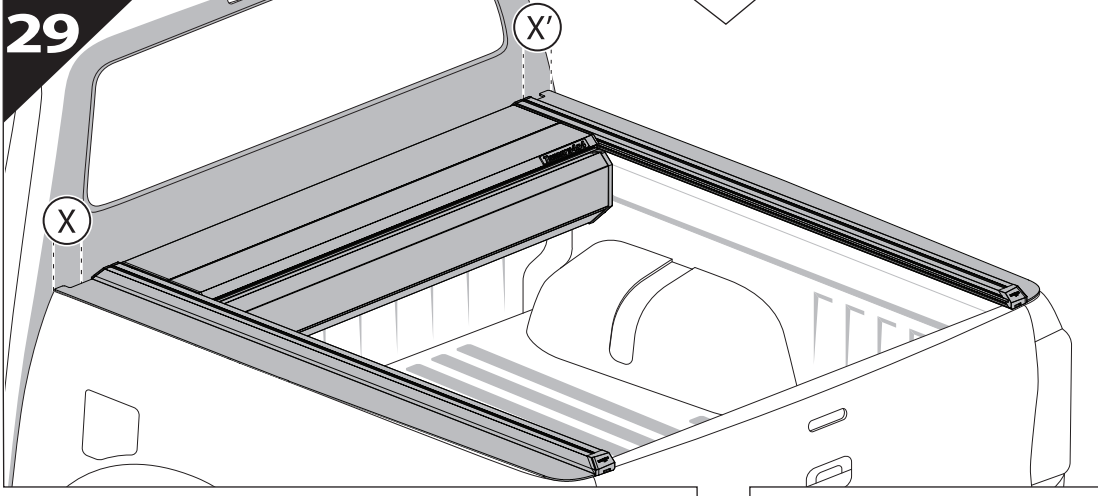
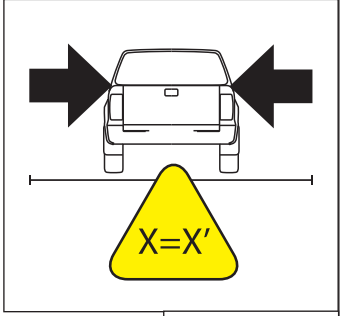




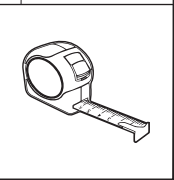
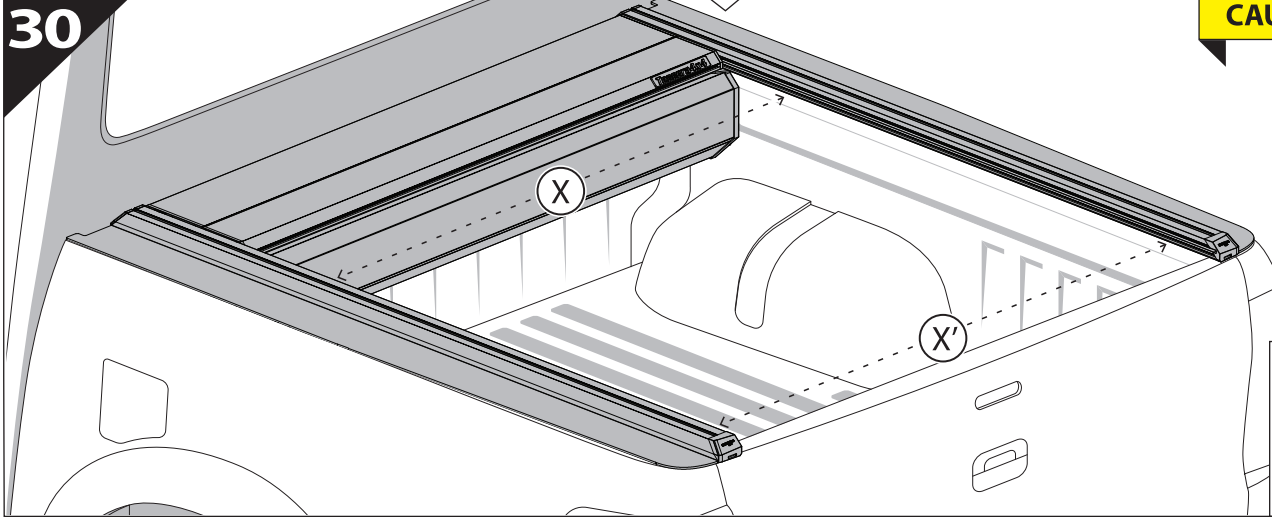
28



29

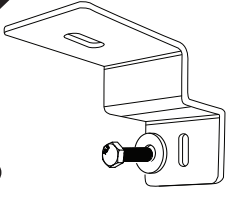


30



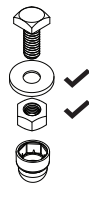
31

N

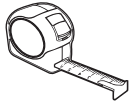


x6

E



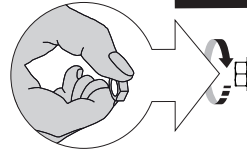
x6



3 mm

CAUTION !

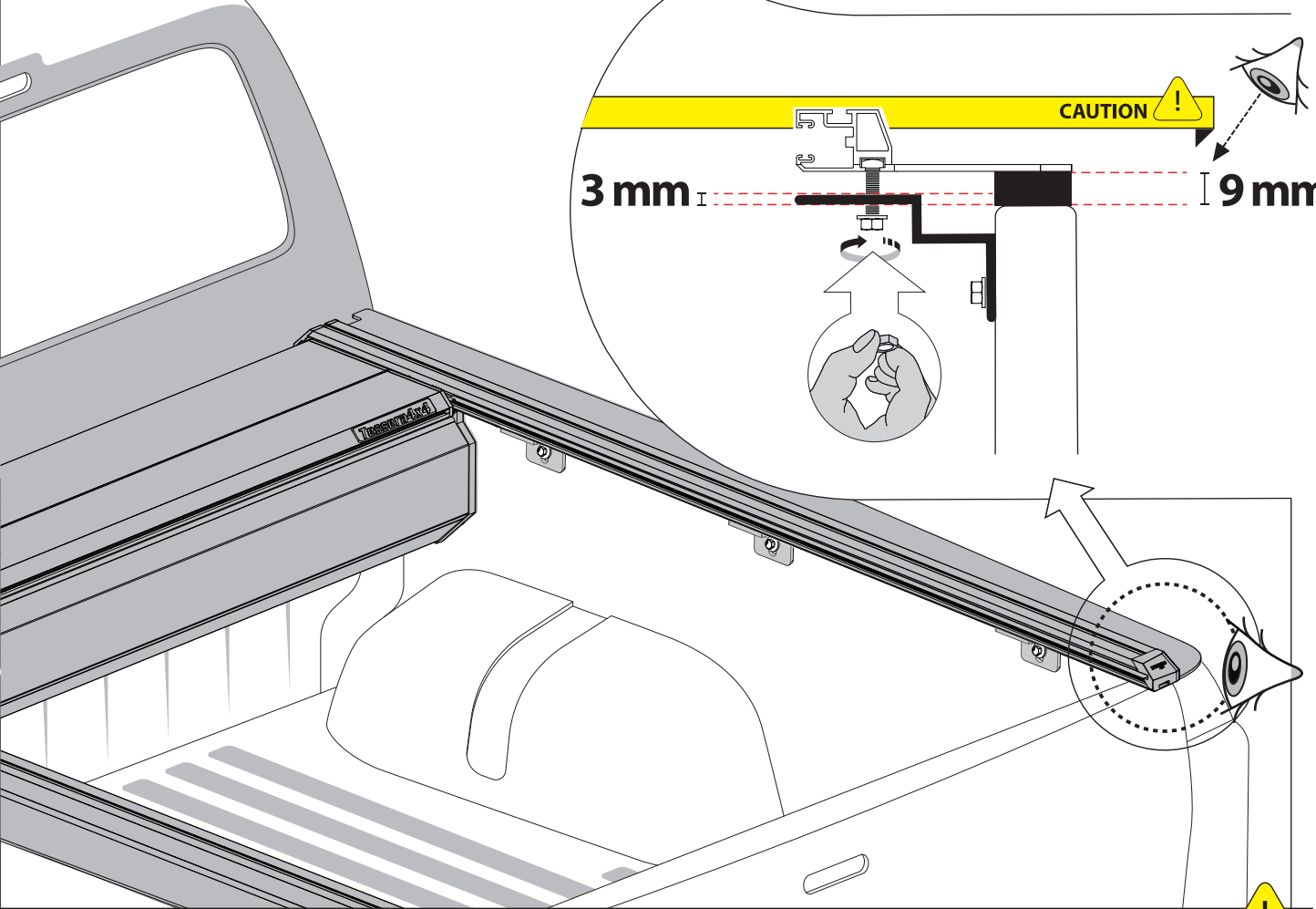
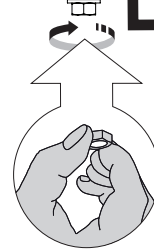
9 mm



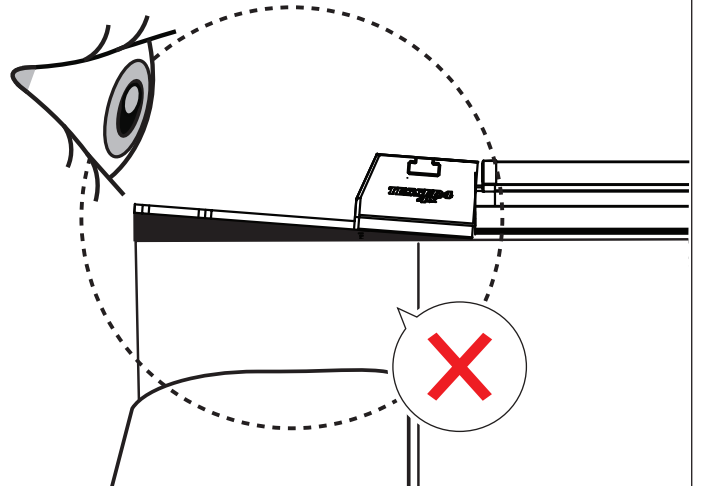
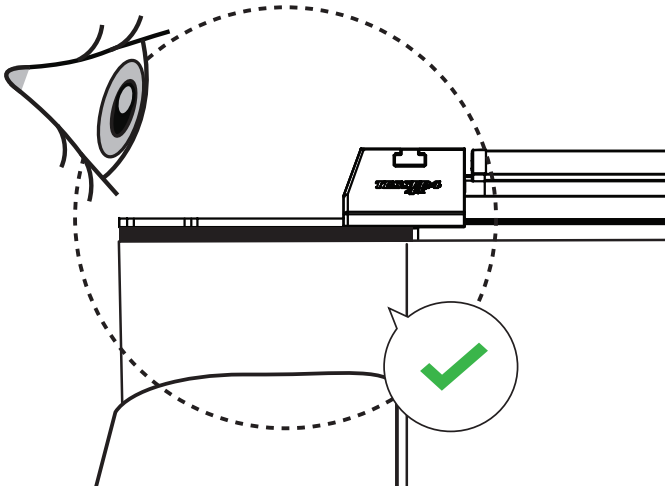
3 mm

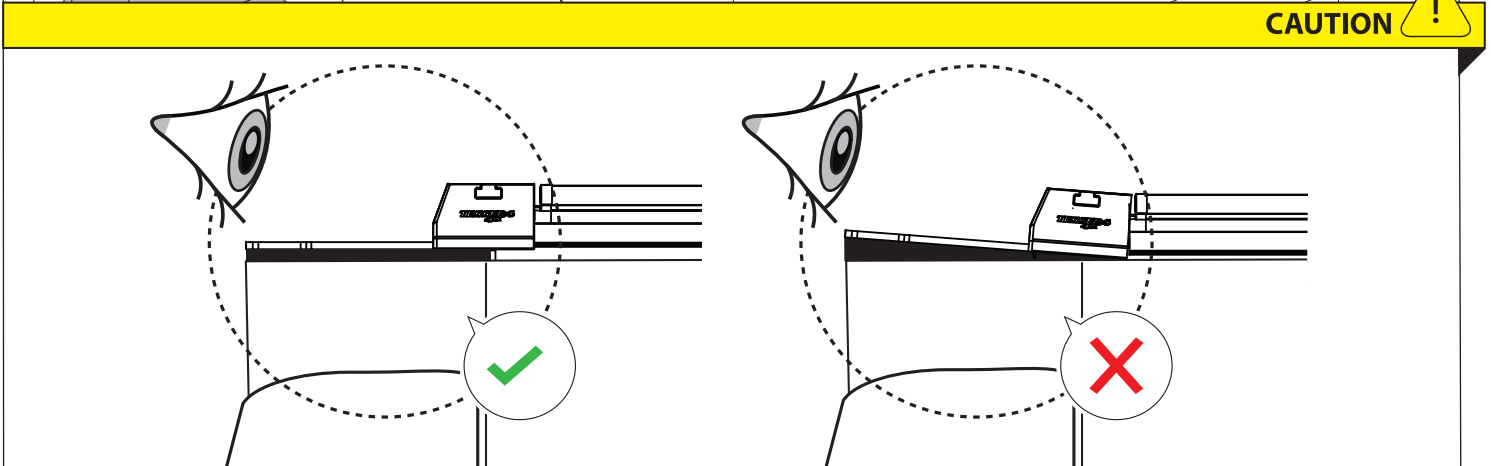
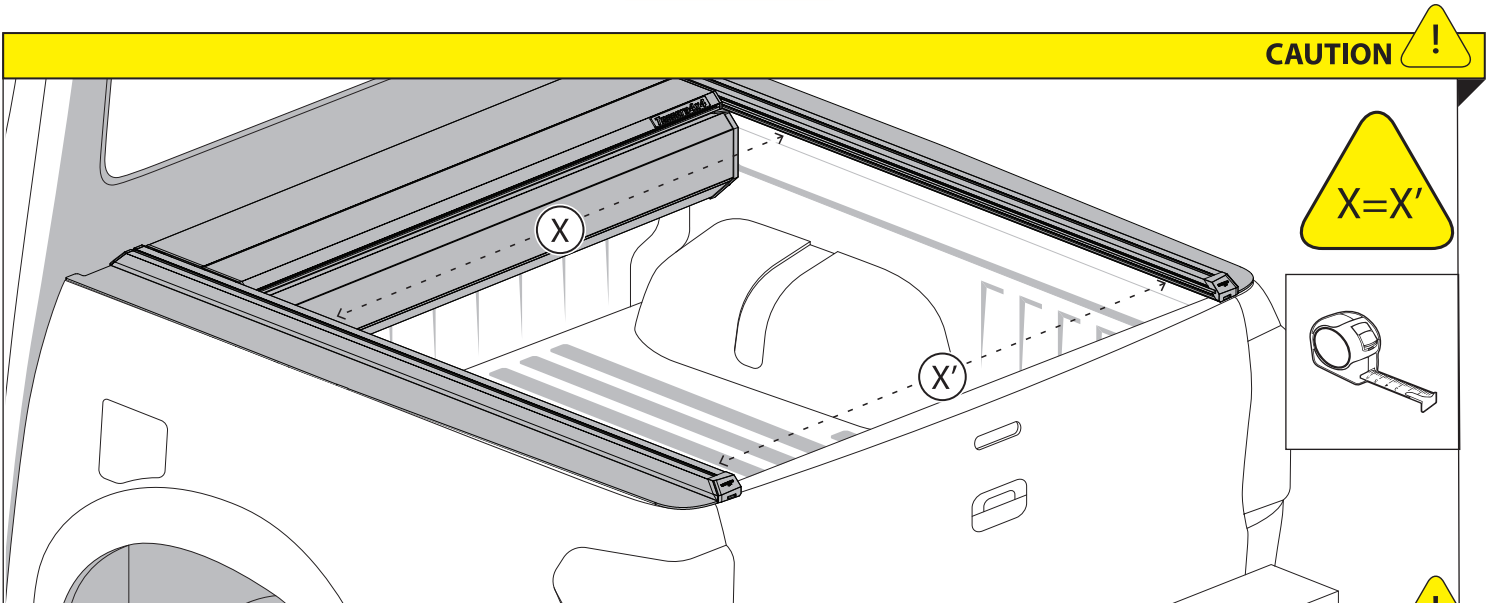
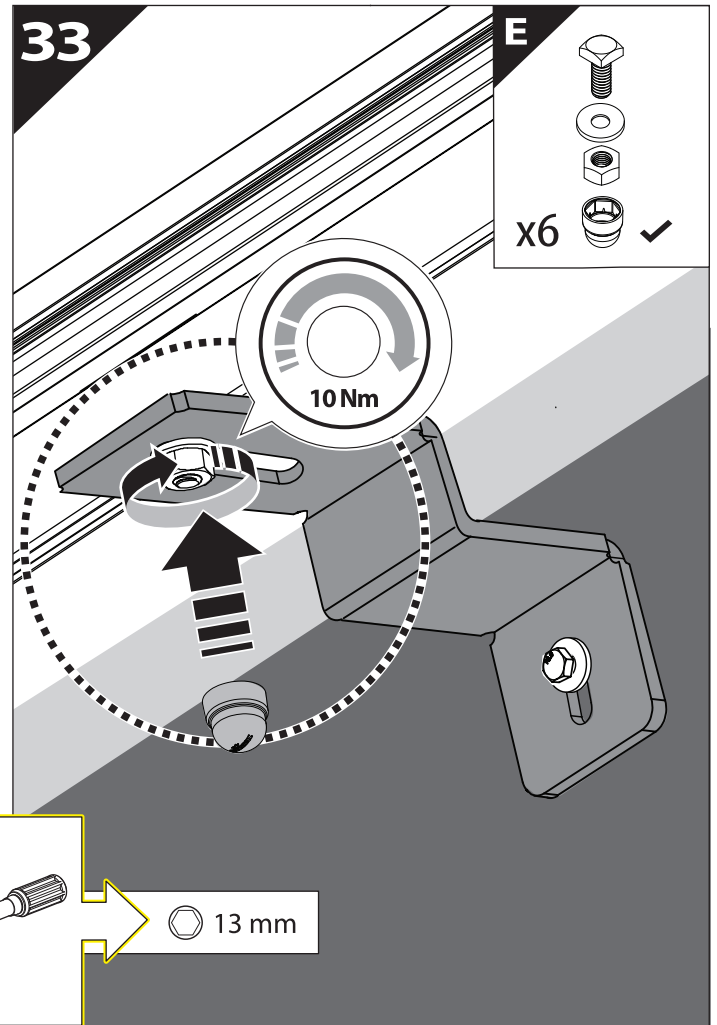
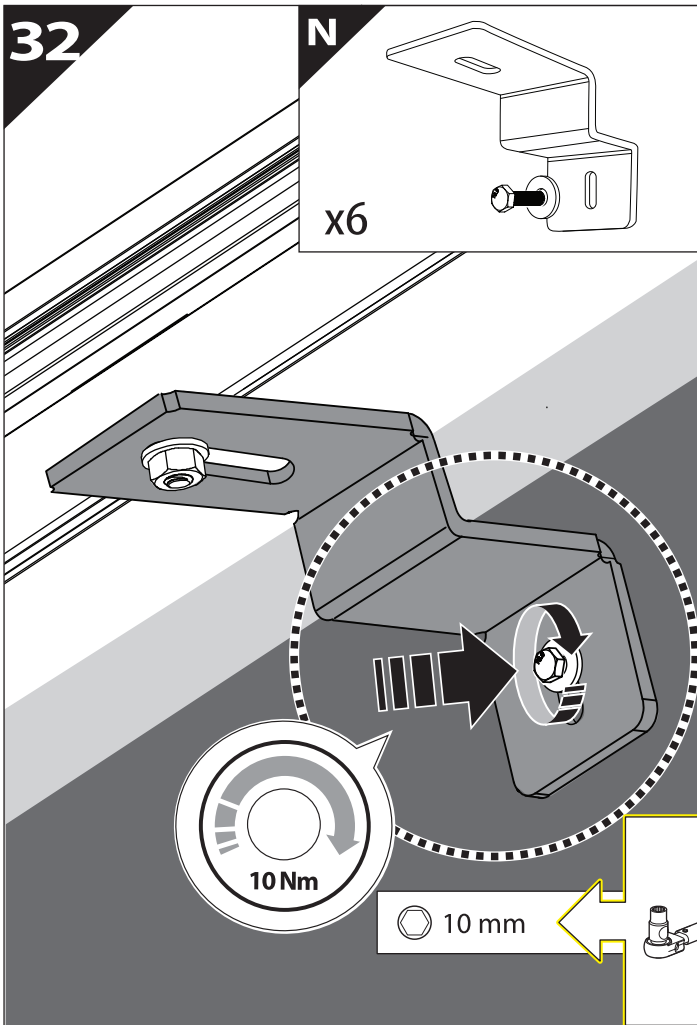
CAUTION !

9 mm

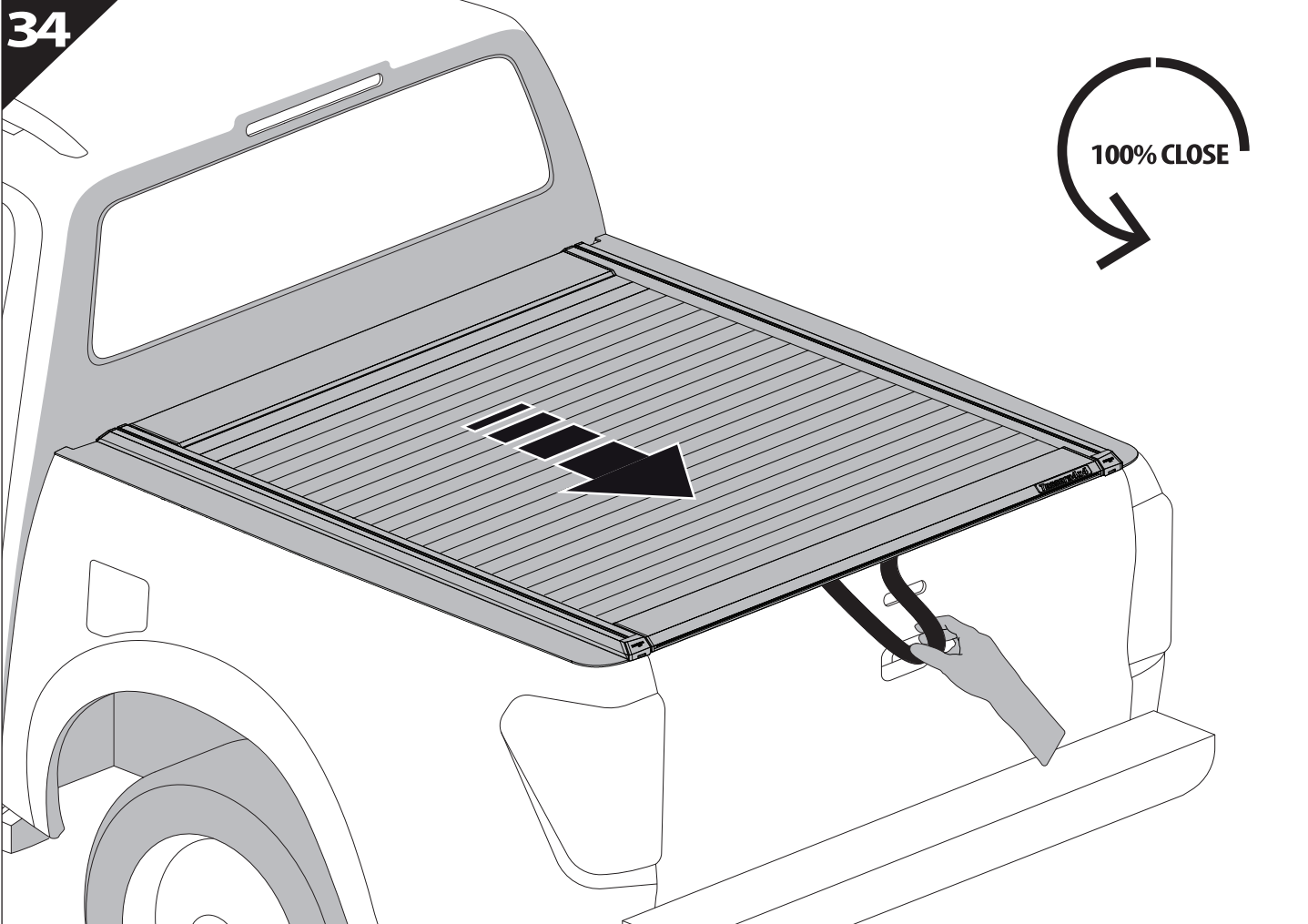


CAUTION !

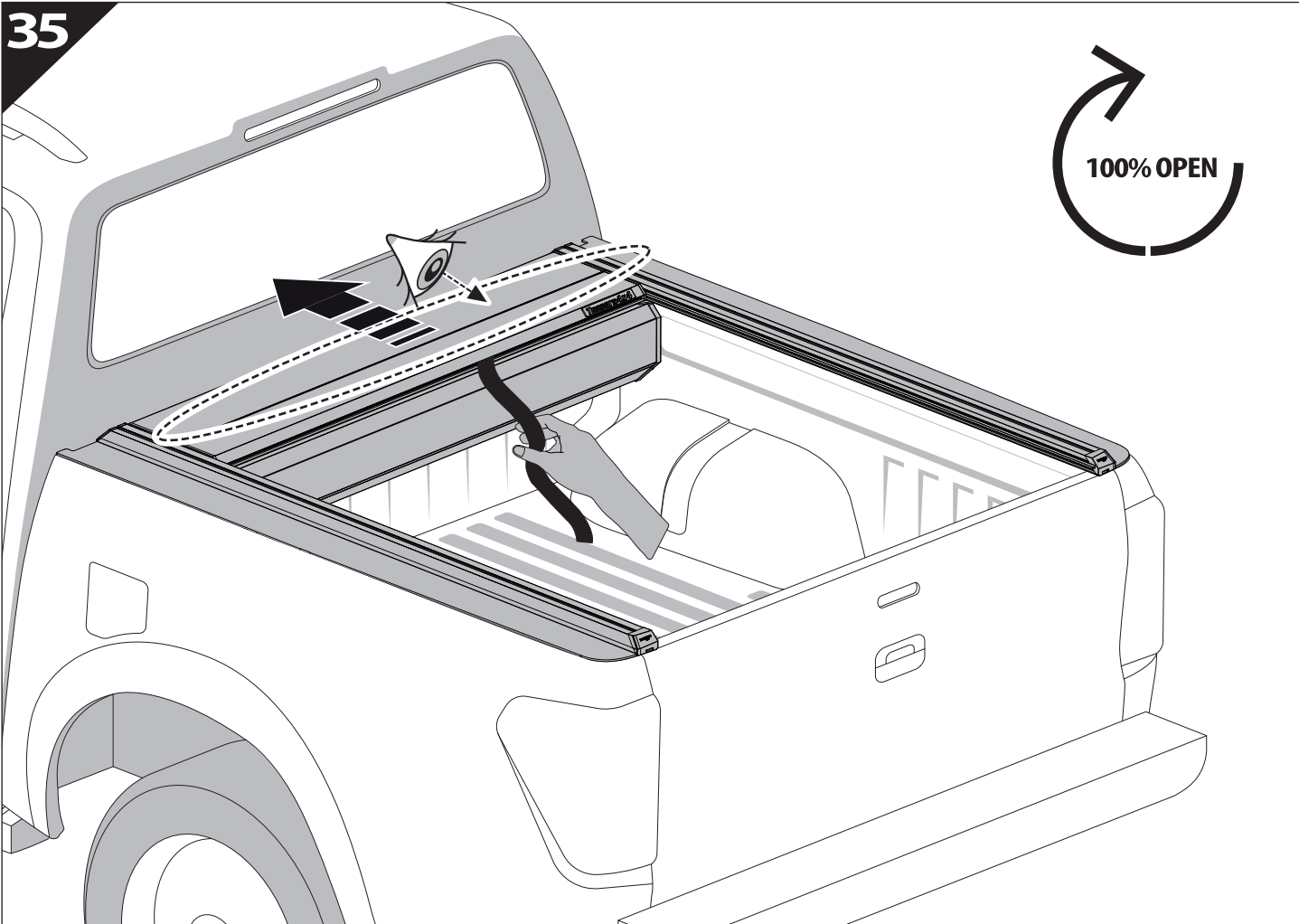




34



35





GR: Οδηγίες Εγκατάστασης
GB: Installation manual
SF: Asennusohje
F: Notice de montage
PL: Instrukcja montażu
NL: Installatie-instructies
TR: Montaj Talimatı
S: Monteringsanvisning
E: Instrucciones de montaje

H: Szerelési utasítás
P: Instruções de instalação
RUS: Инструкция по установке
N: Monteringsveiledning
D: Einbauanleitung
CZ: Návod k instalaci
I: Istruzioni de montaggio
DK: Monteringsvejledning
RO: Instructiuni de instalare

Customer Service:

+30 (210) 5541161, +30 (210) 5541154 (08:00 - 16:00 EET)

Support department:

info@gianso.gr

Website:

www.tessera4x4.com

Address:

19.5 km of National road Athens-Korinthos (Elefsina) Greece, P.C: 19240