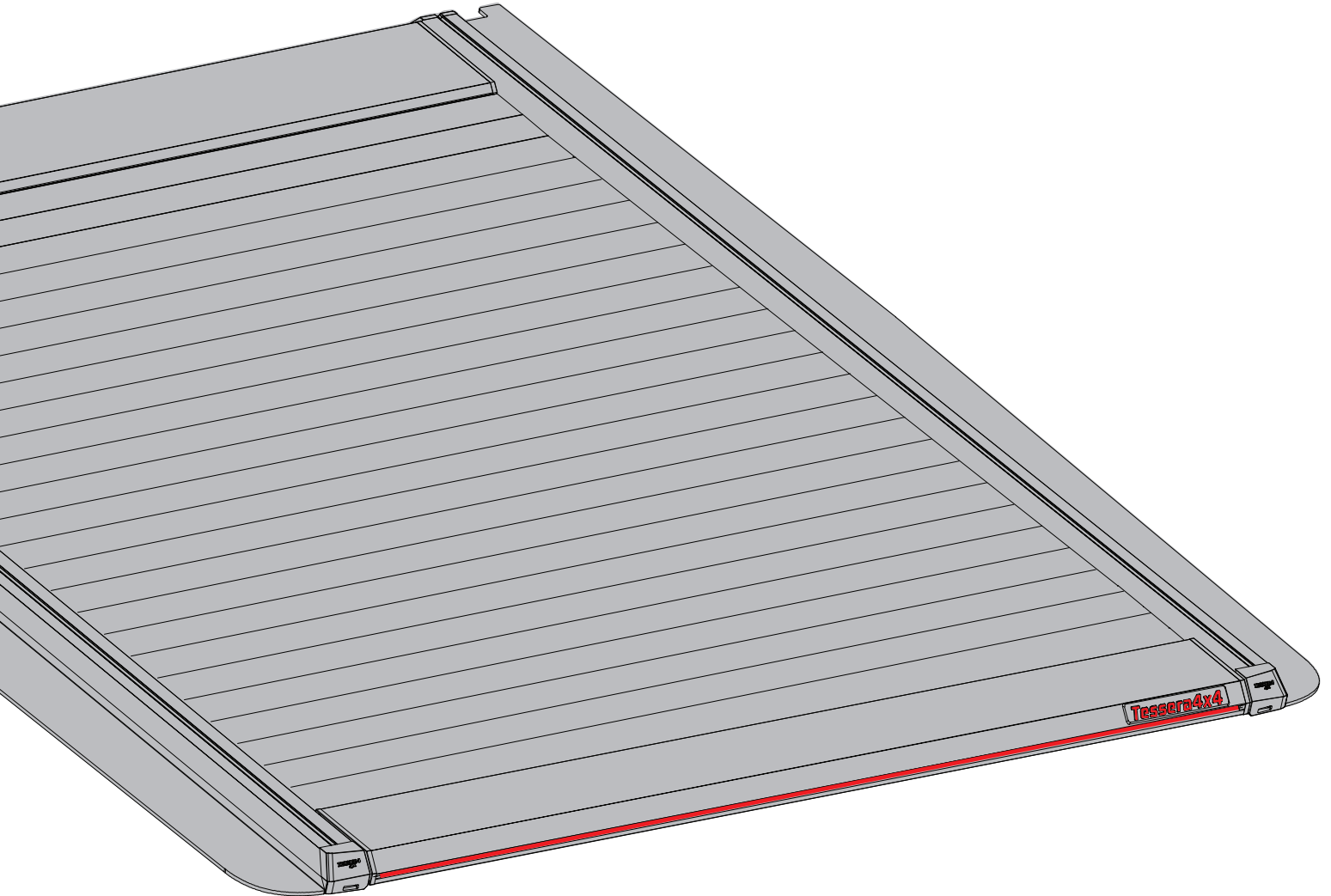


# Tessera Roll+

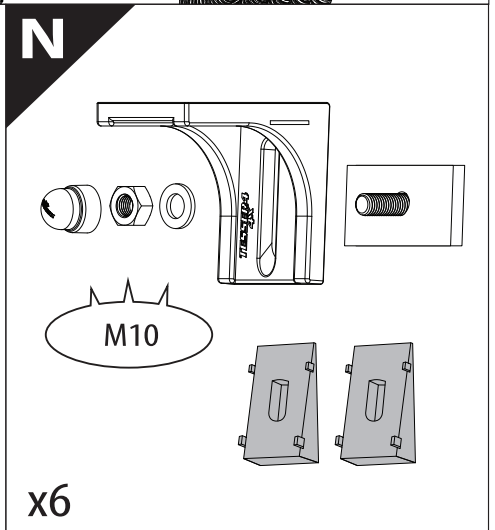
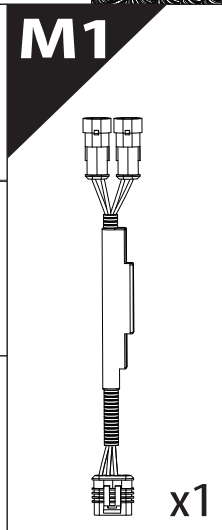
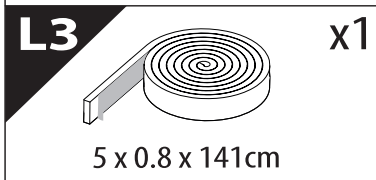
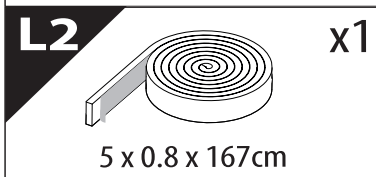
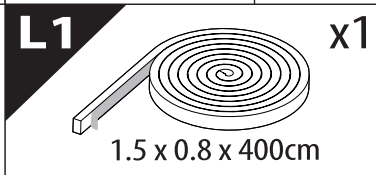
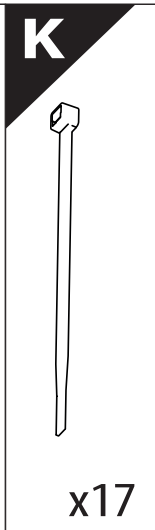
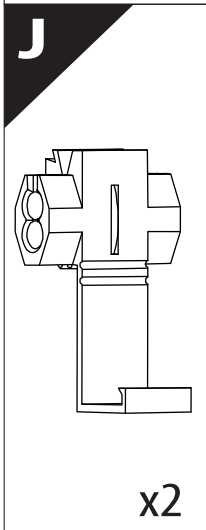
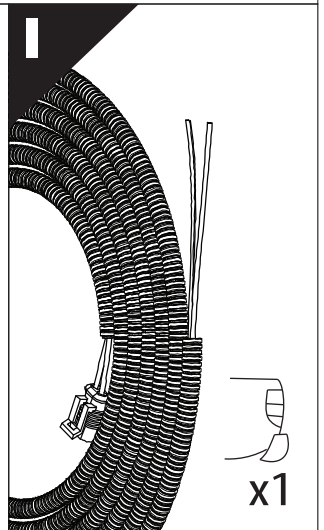
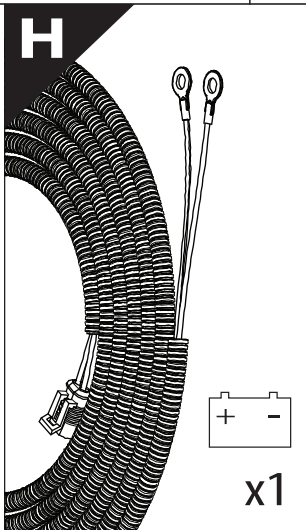
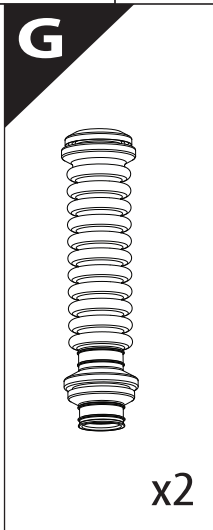
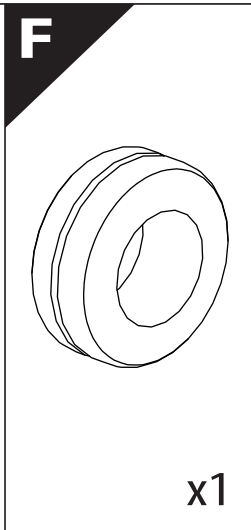
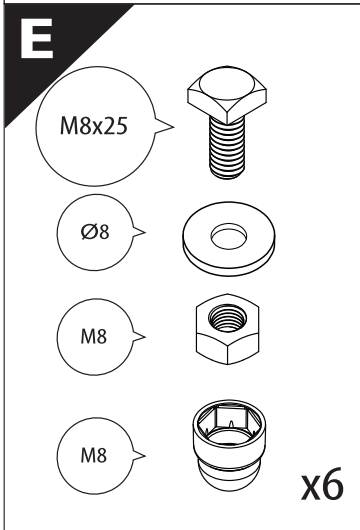
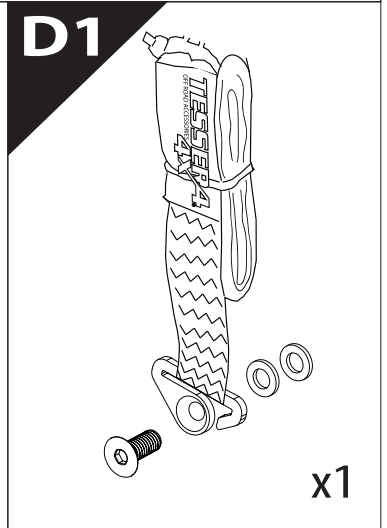
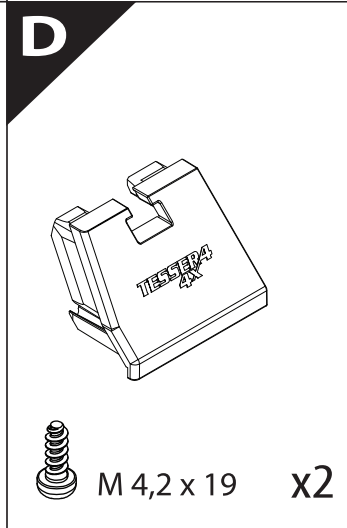
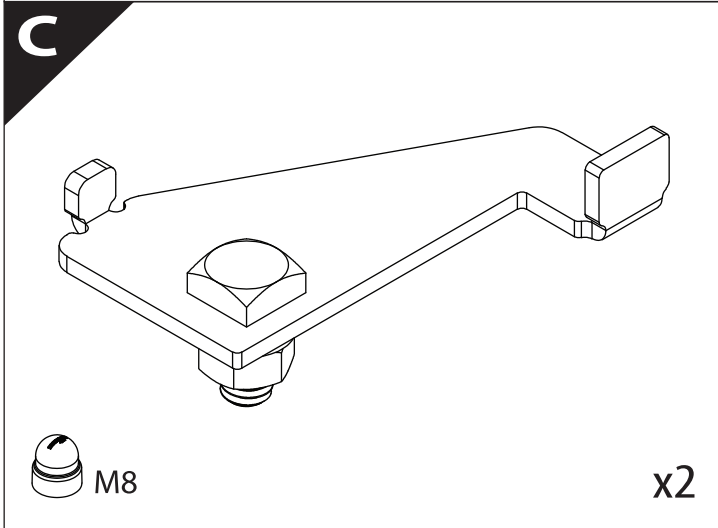
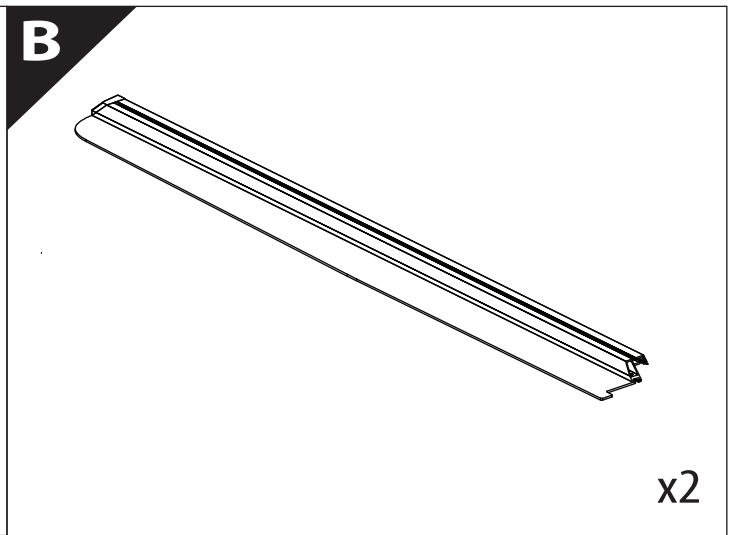
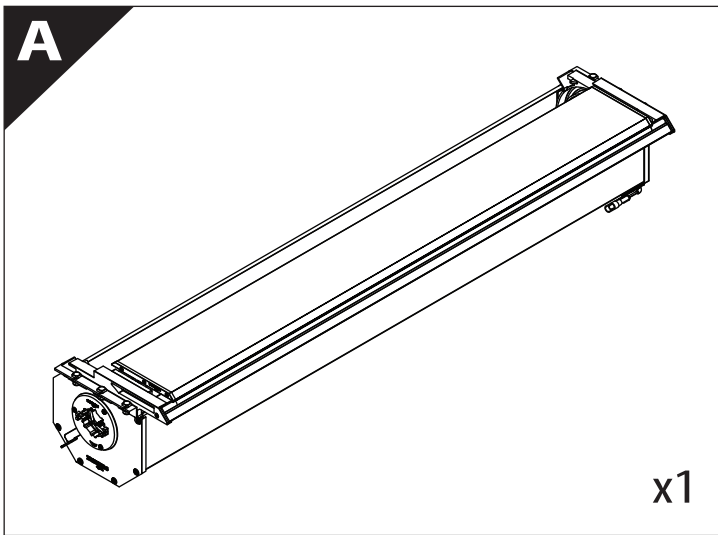
## Basic Version + ⚙️ S-KIT

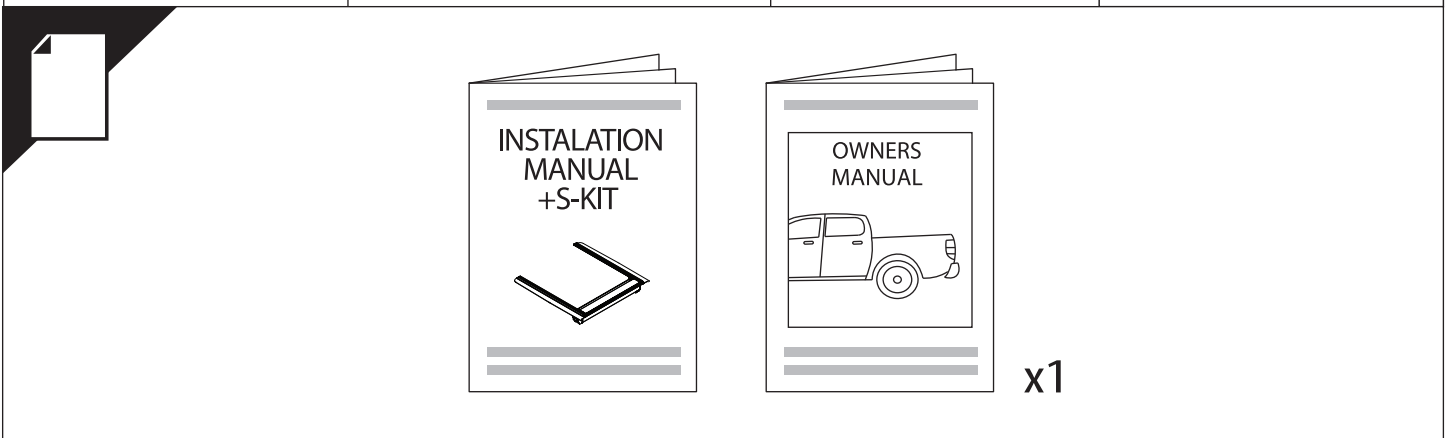
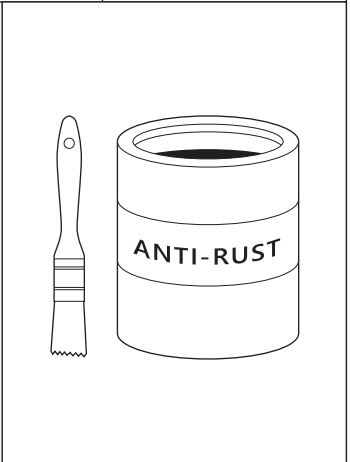
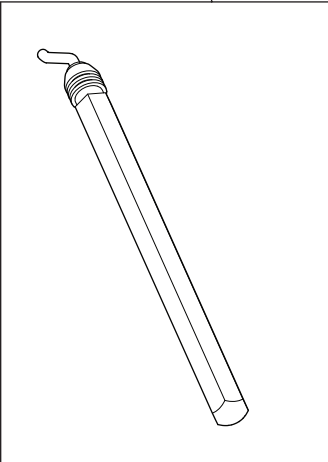
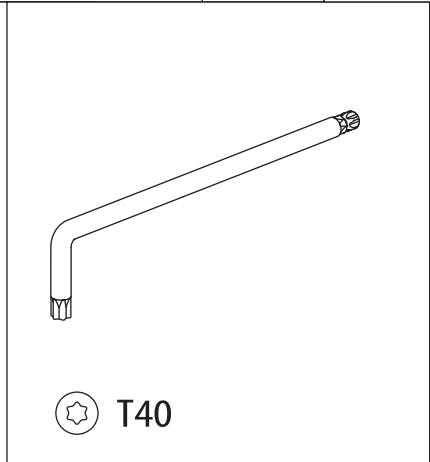
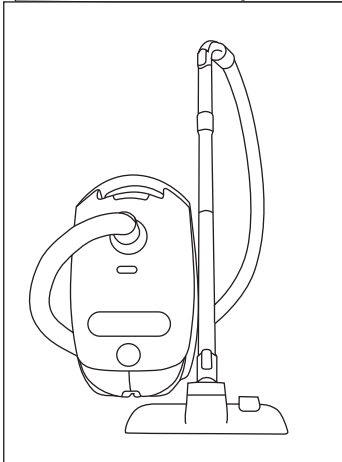
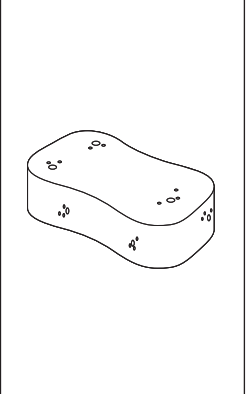
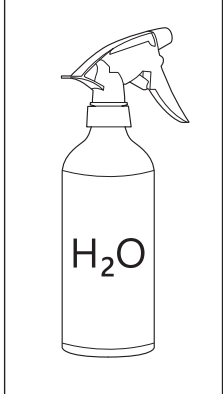
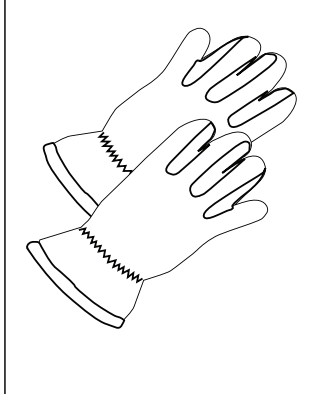
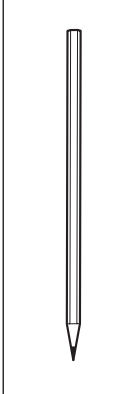
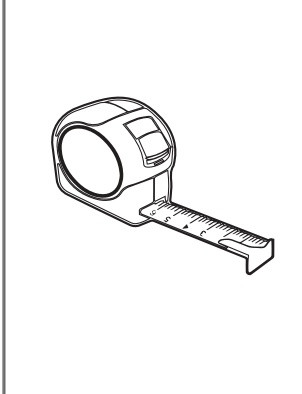
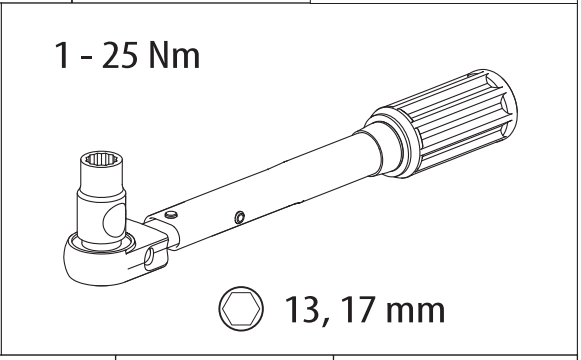
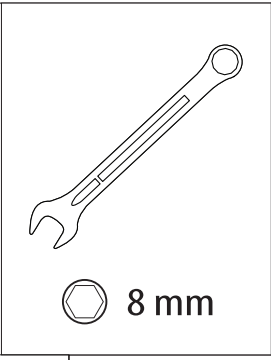
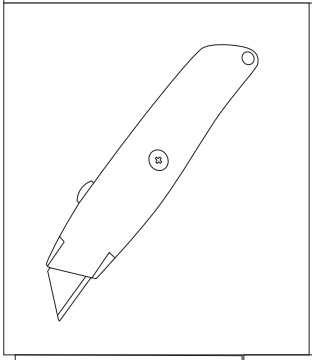
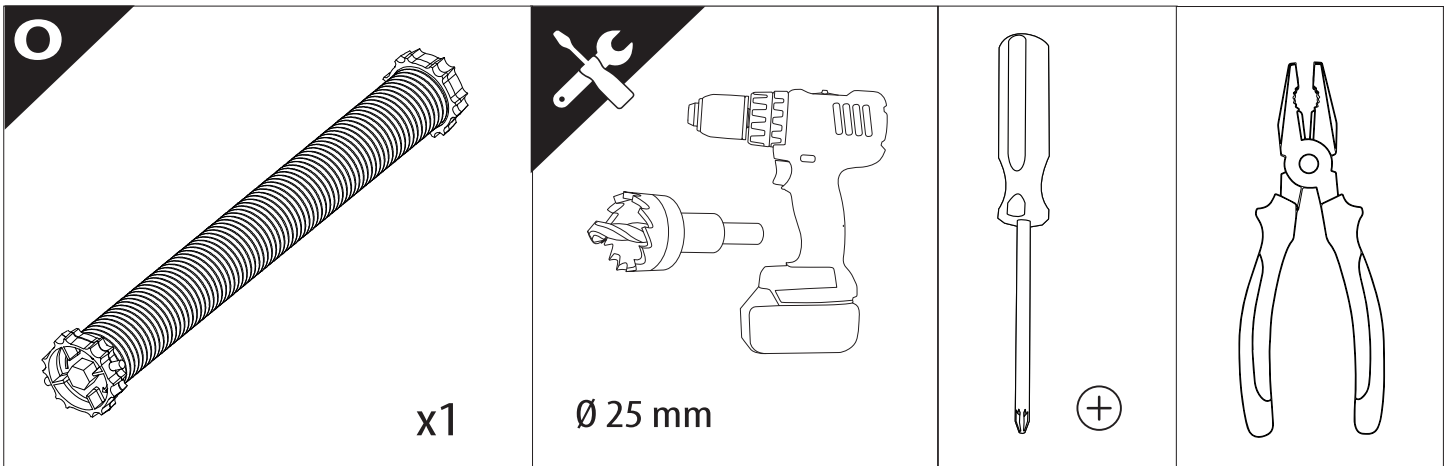


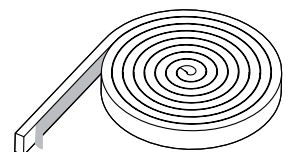
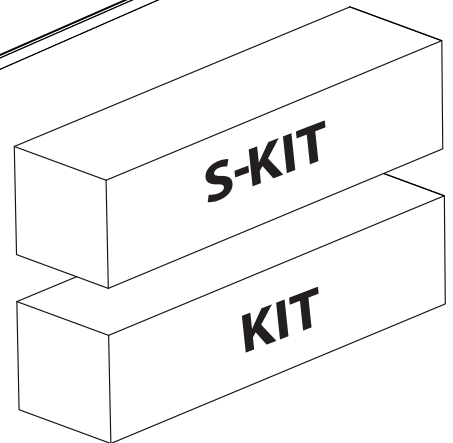
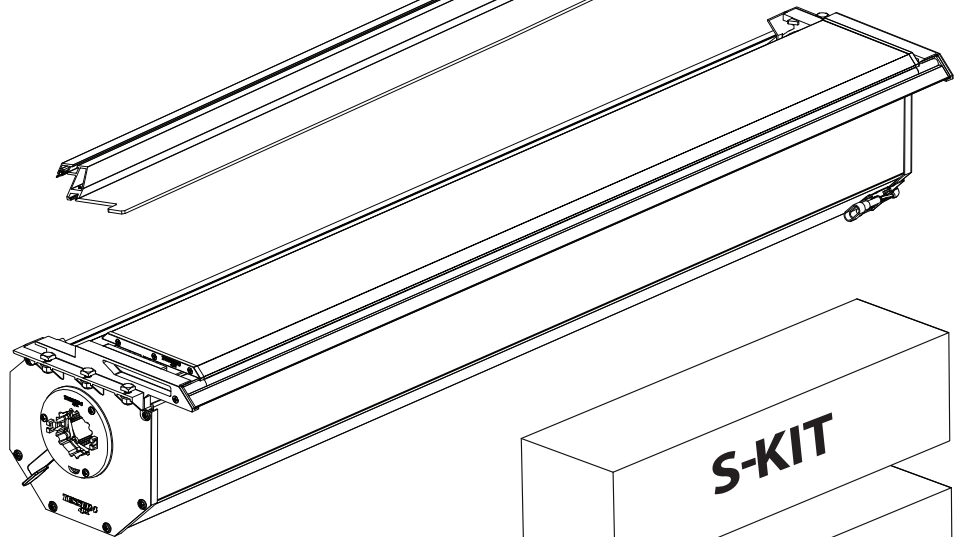
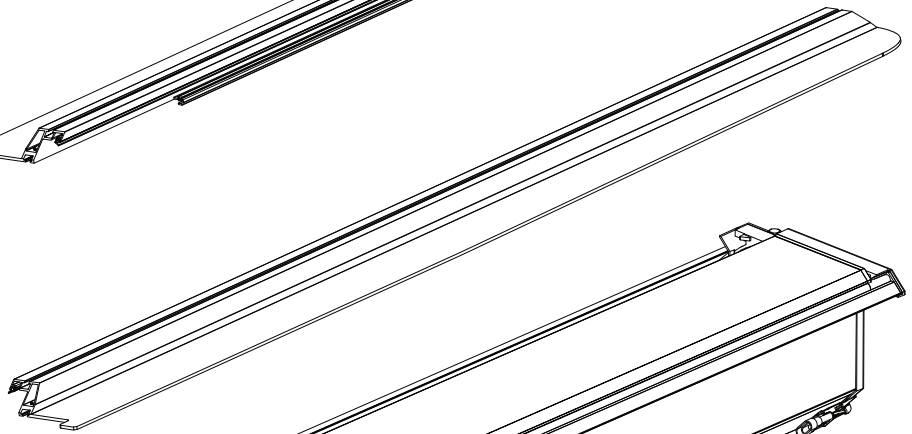
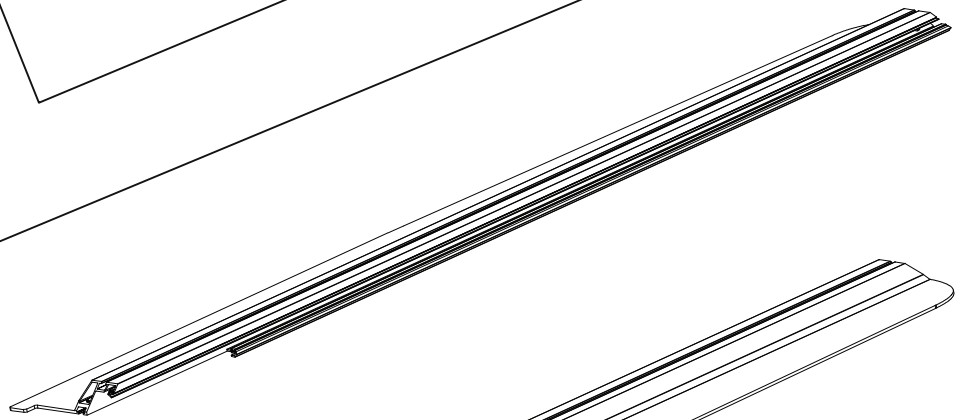
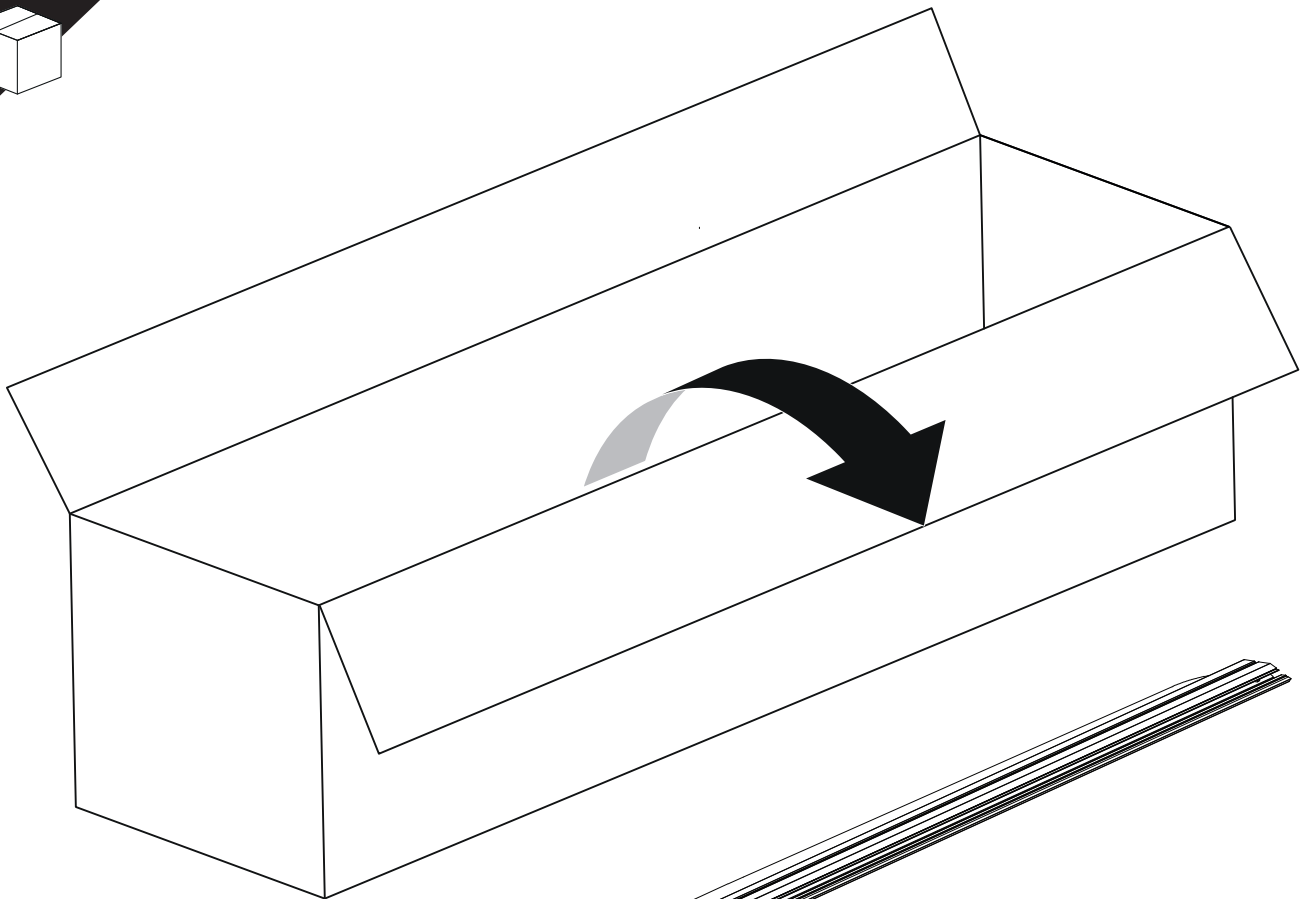
# Installation Manual

<b>PART NUMBER(S)</b>	<b>Model Year</b>
<b>TESS 1422 ROLL+S-KIT</b>	<b>JEEP GLADIATOR (with c-channels)</b>
<b>Cab(s)</b>	<b>Installation Time / Weight</b>
<b>Double Cab</b>	<b>40-60 minutes / 53-57 kg</b>







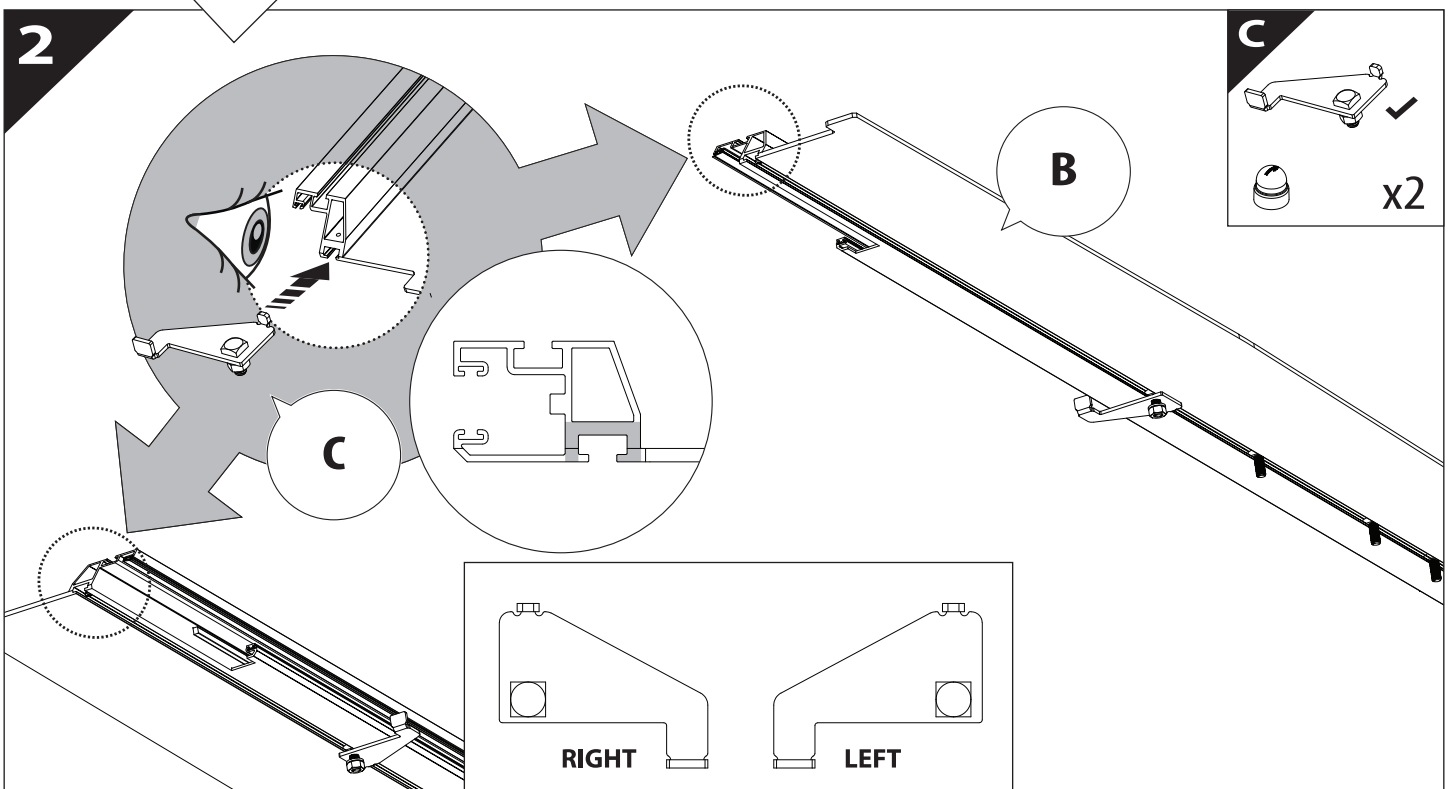
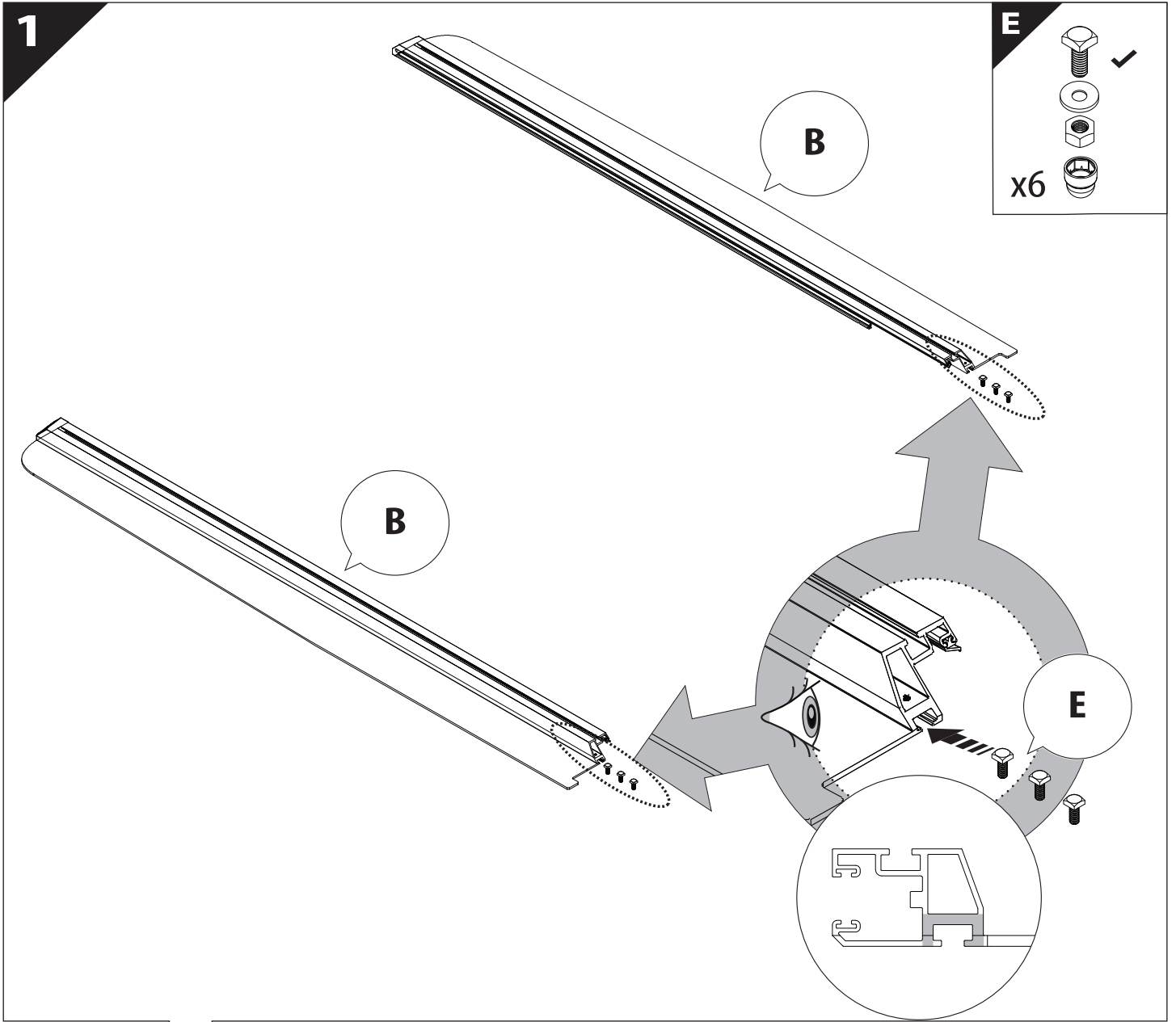


**B**

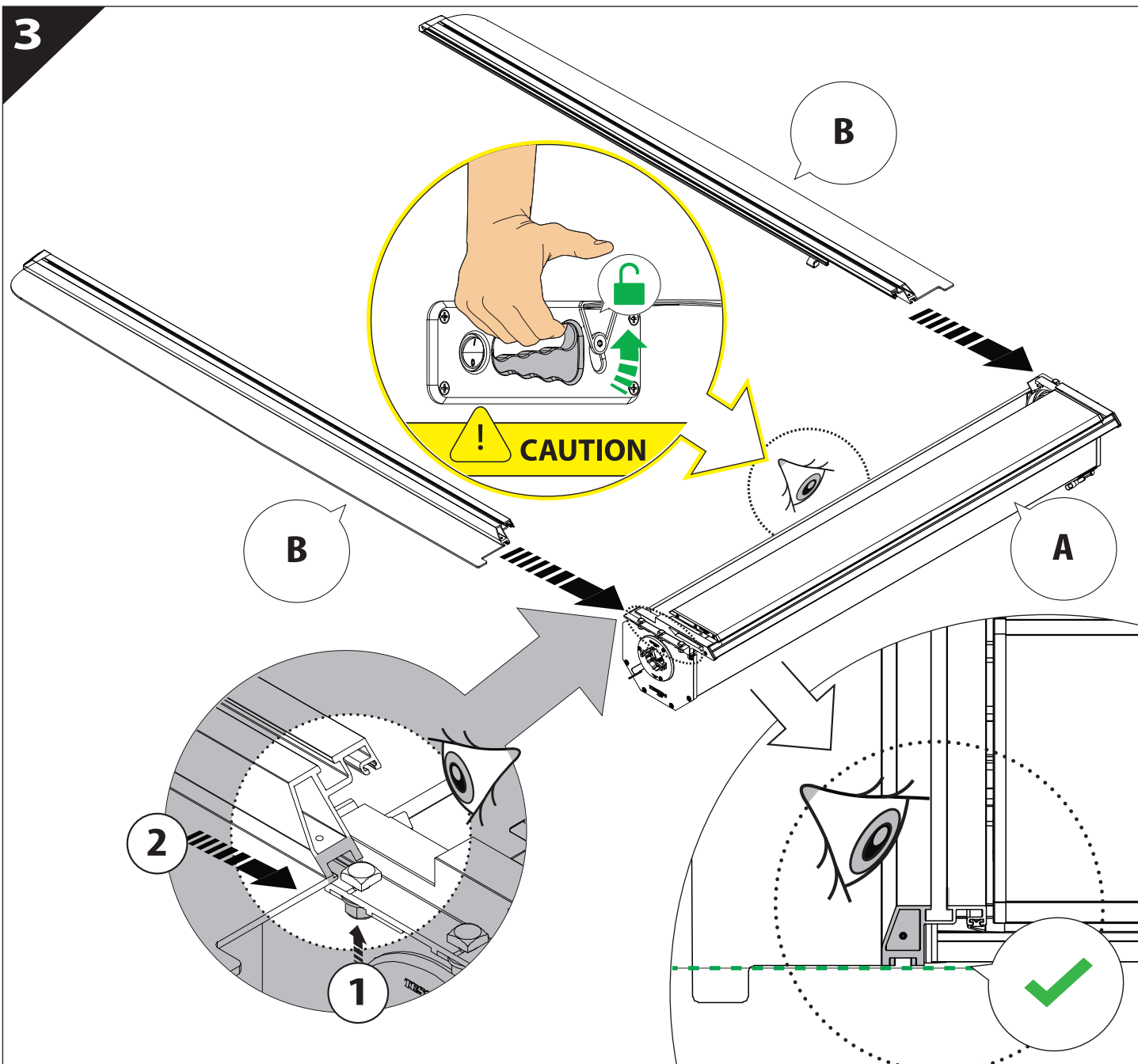
**A**

**KITS**

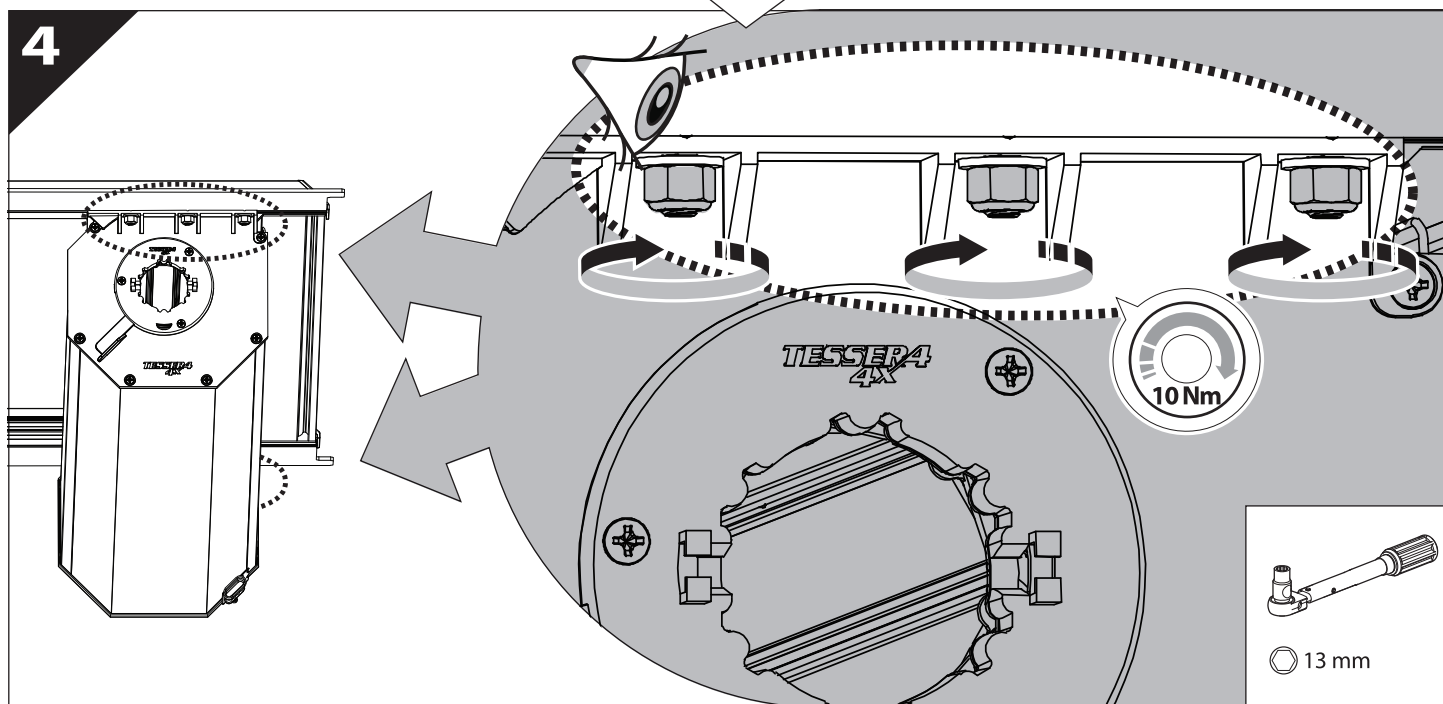
**L**

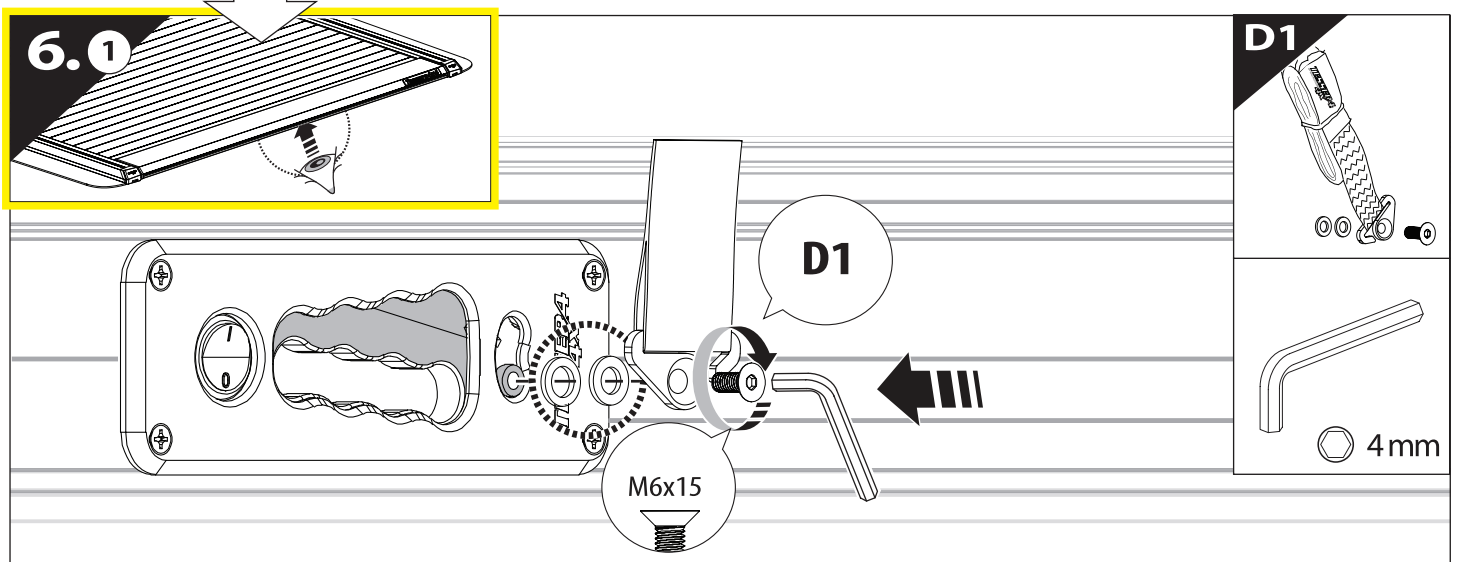
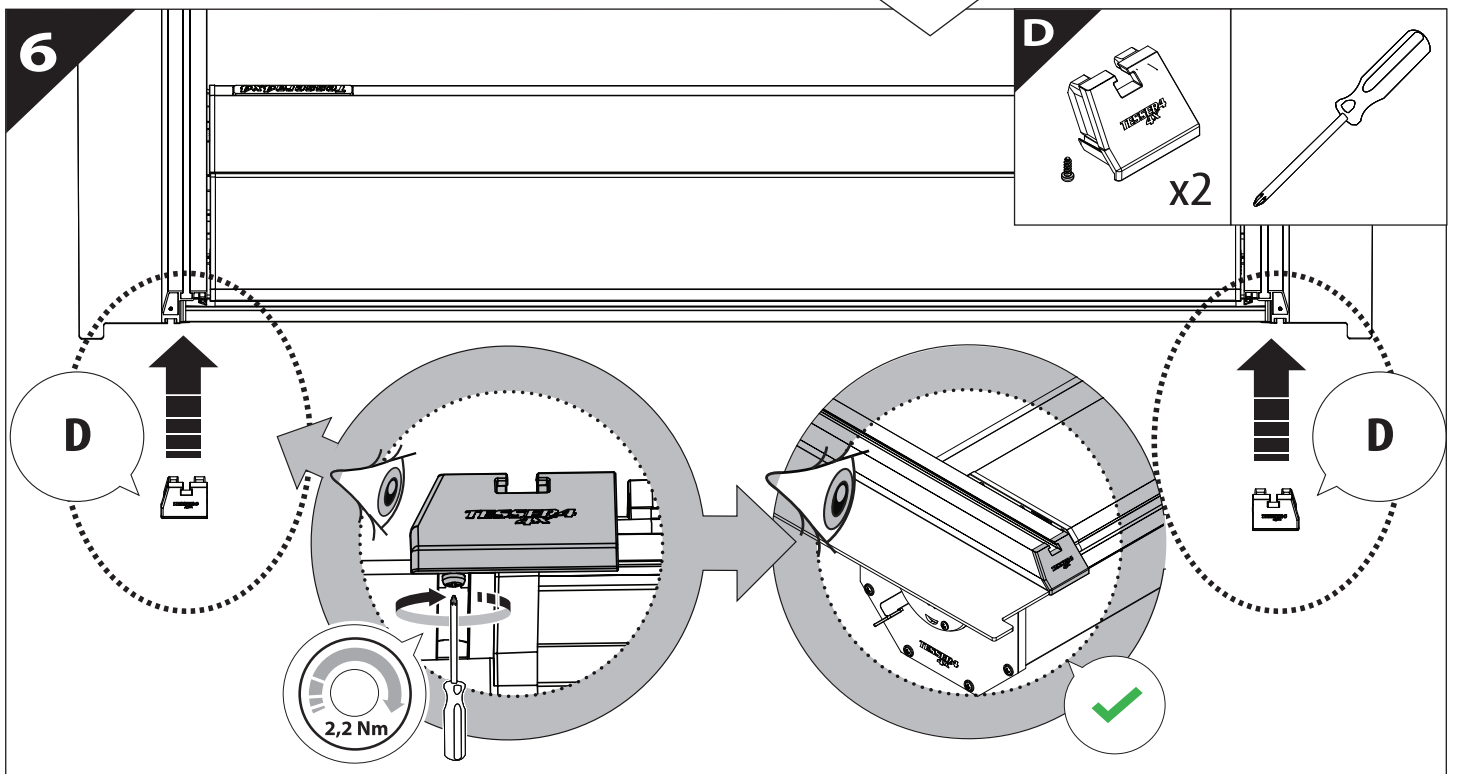
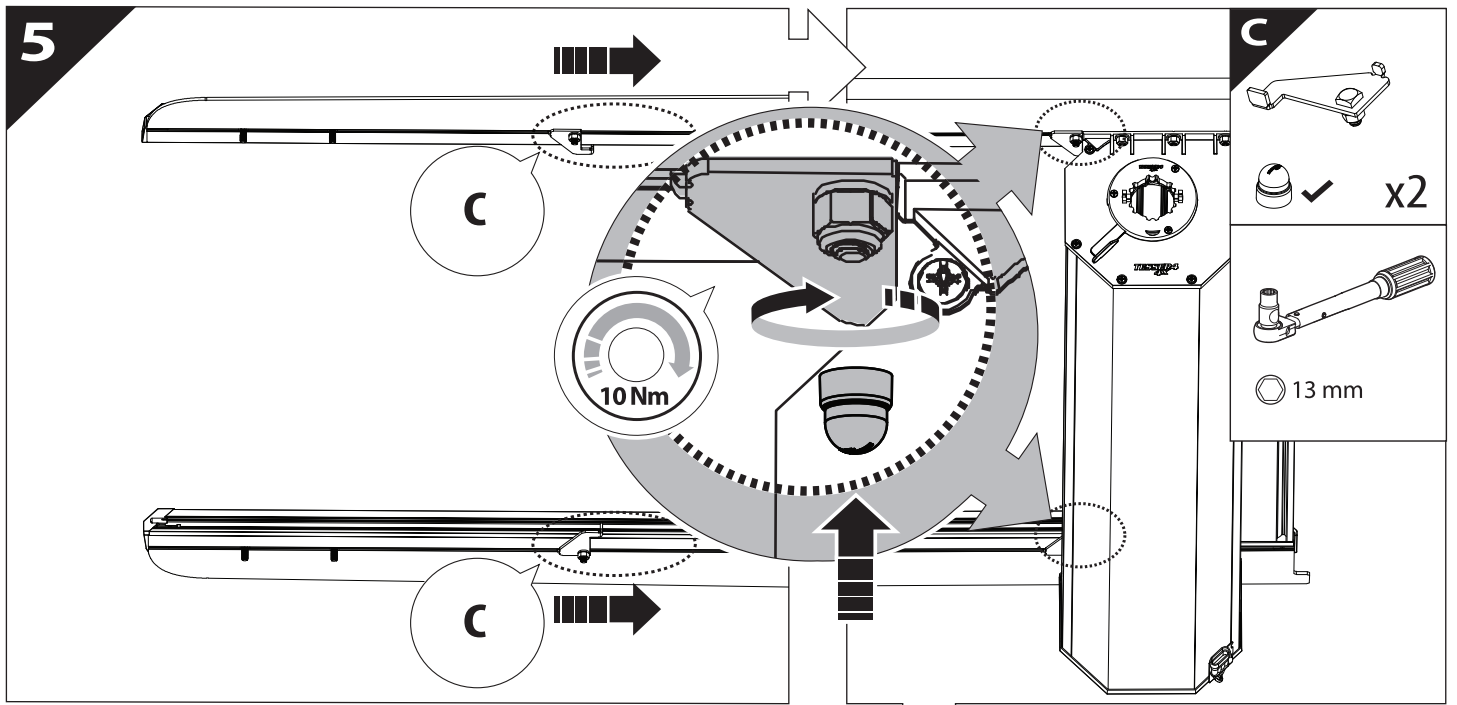


3

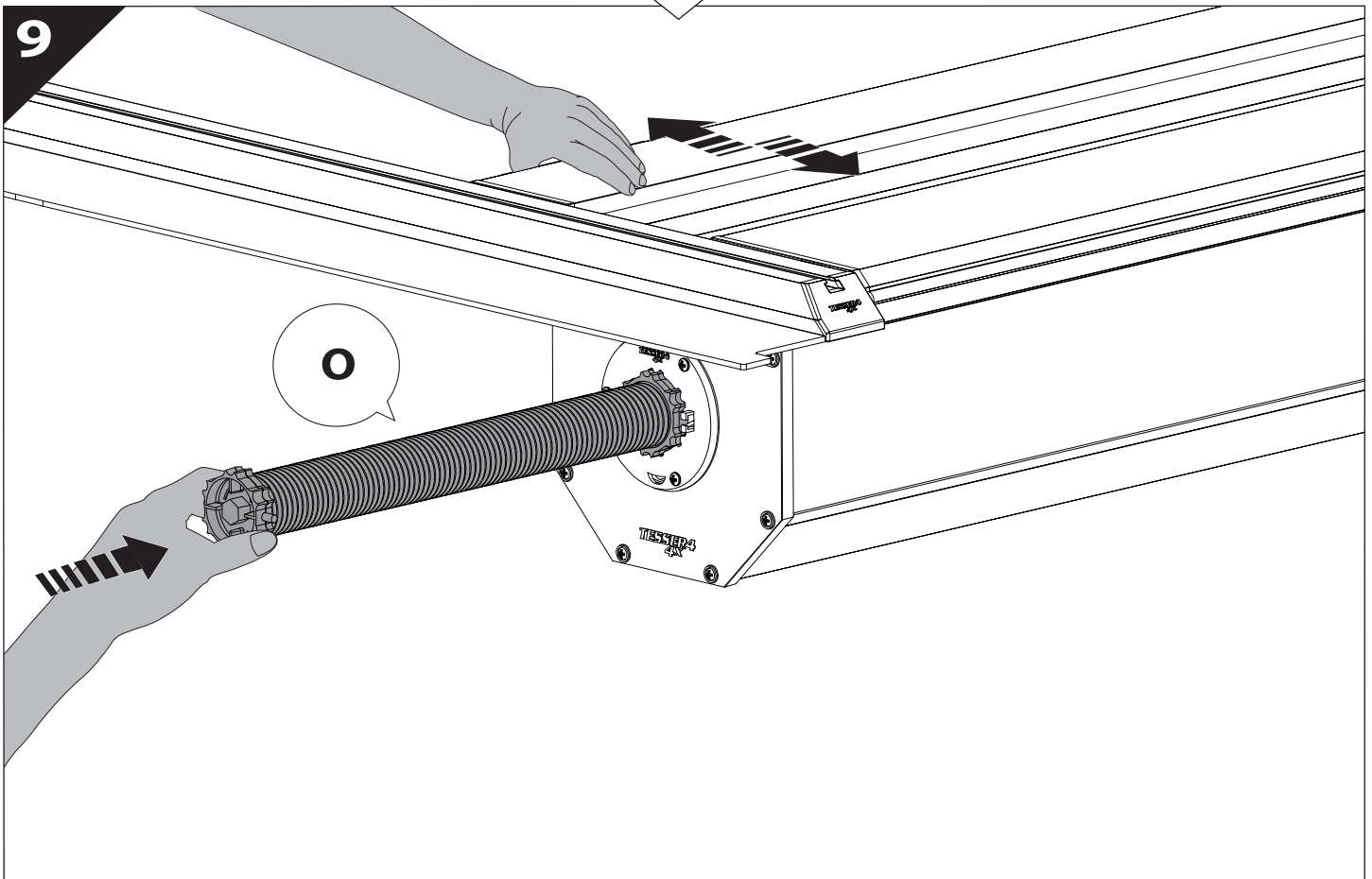
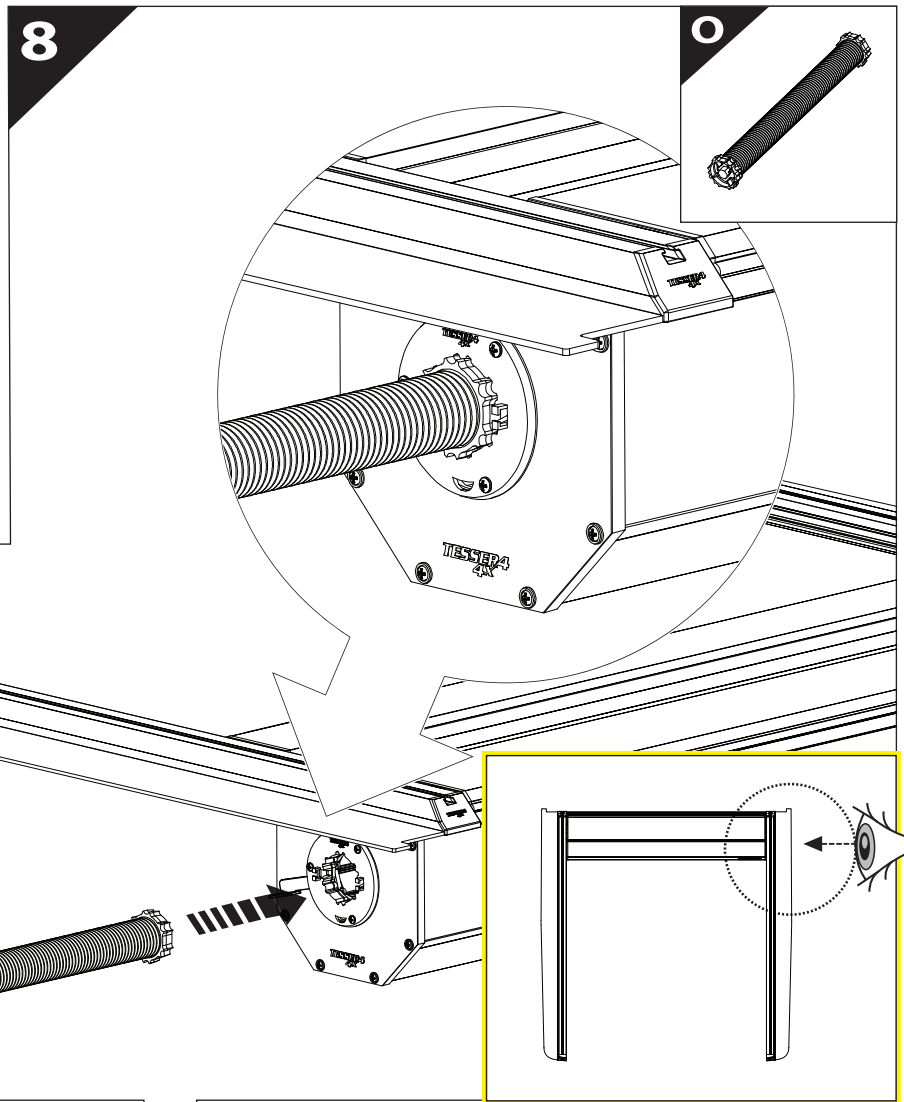
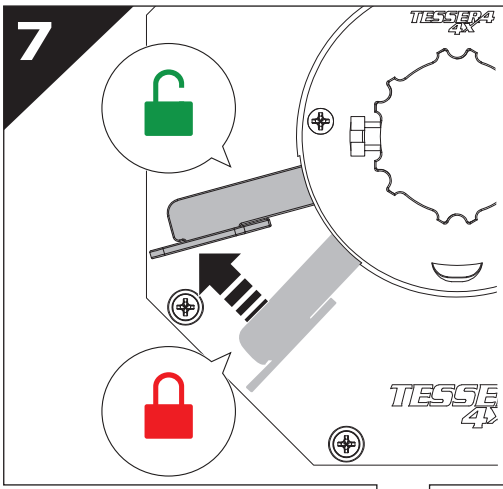


4

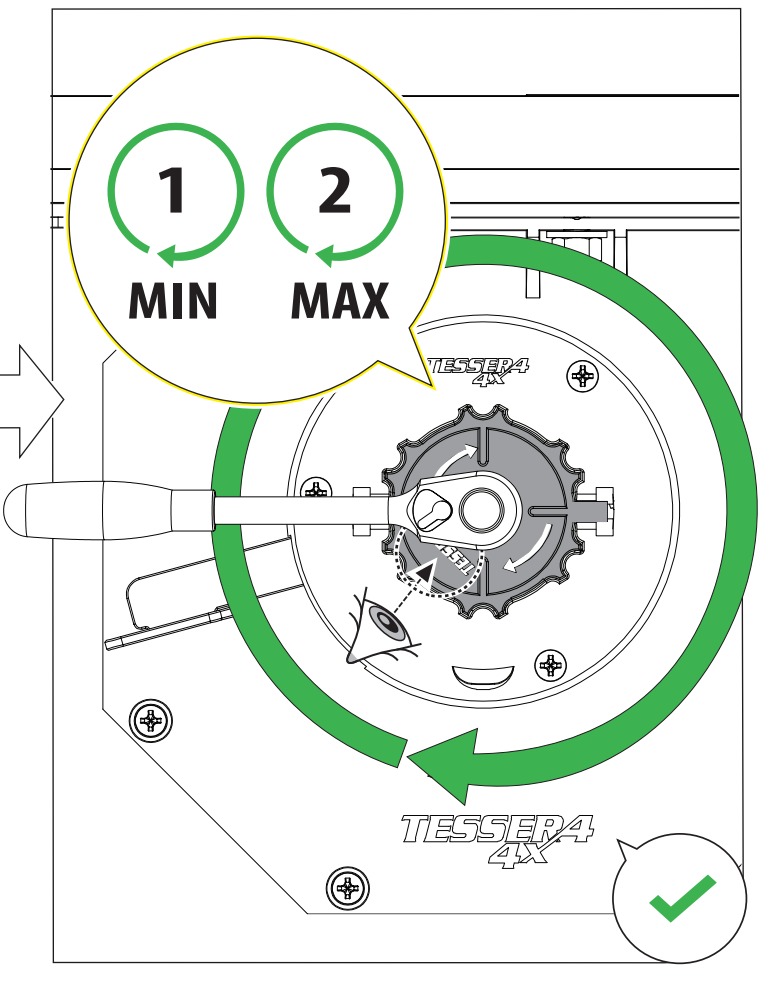
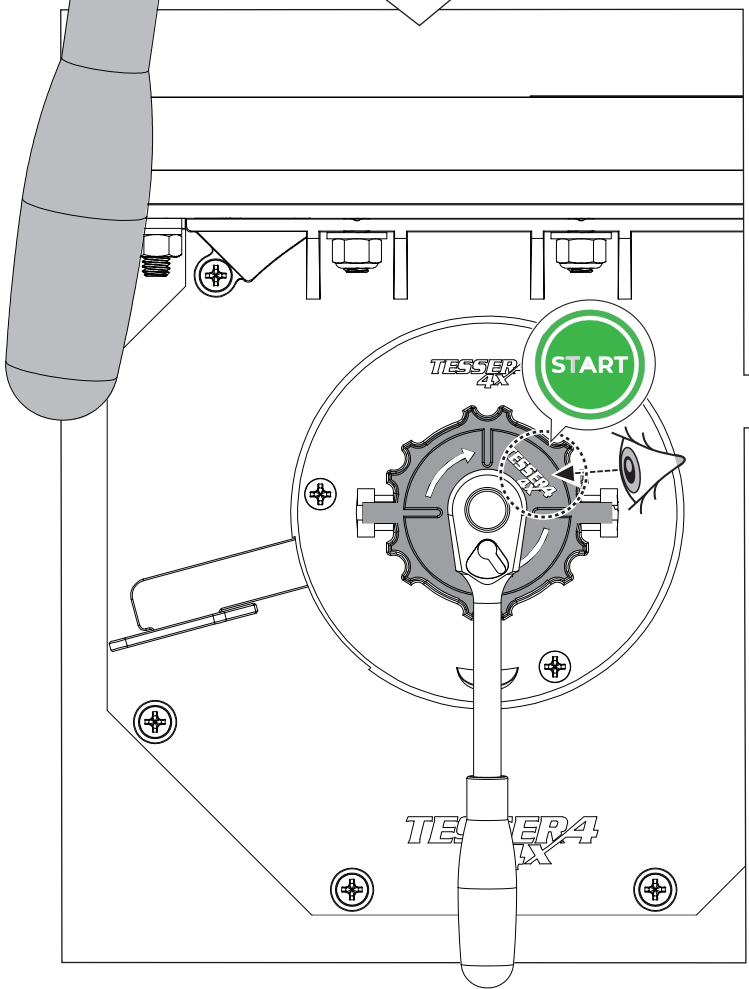
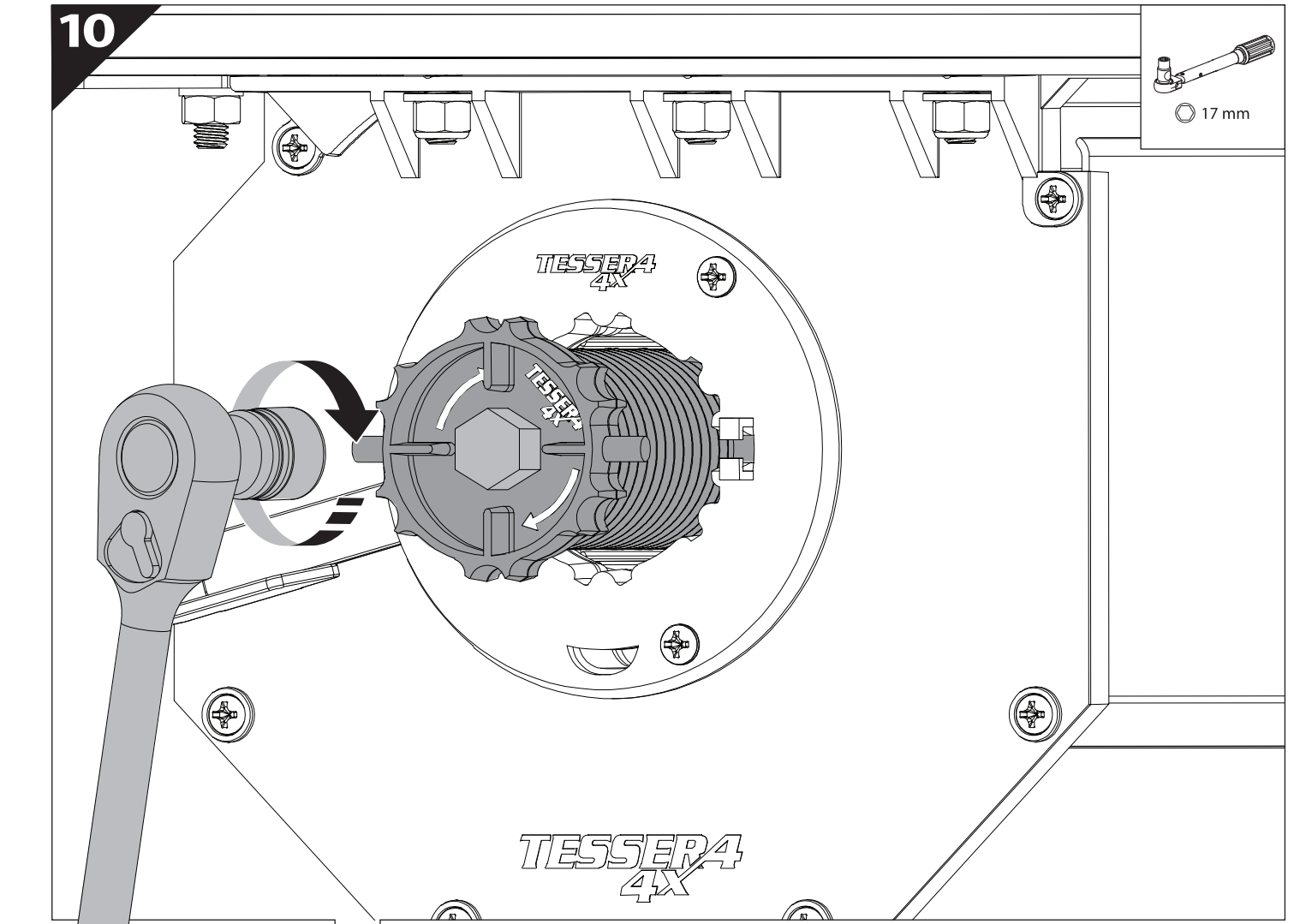
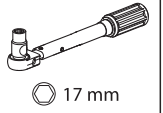


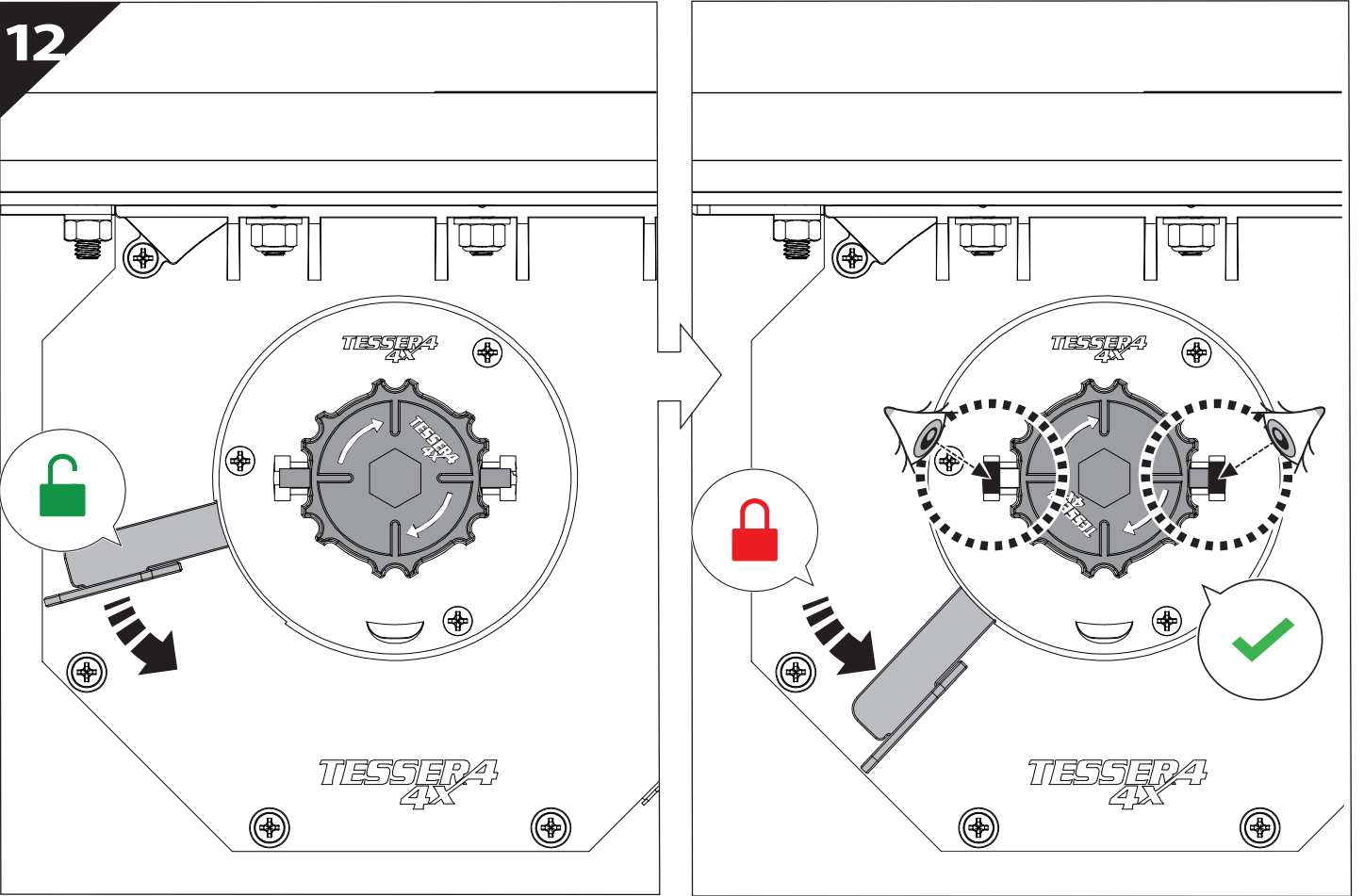
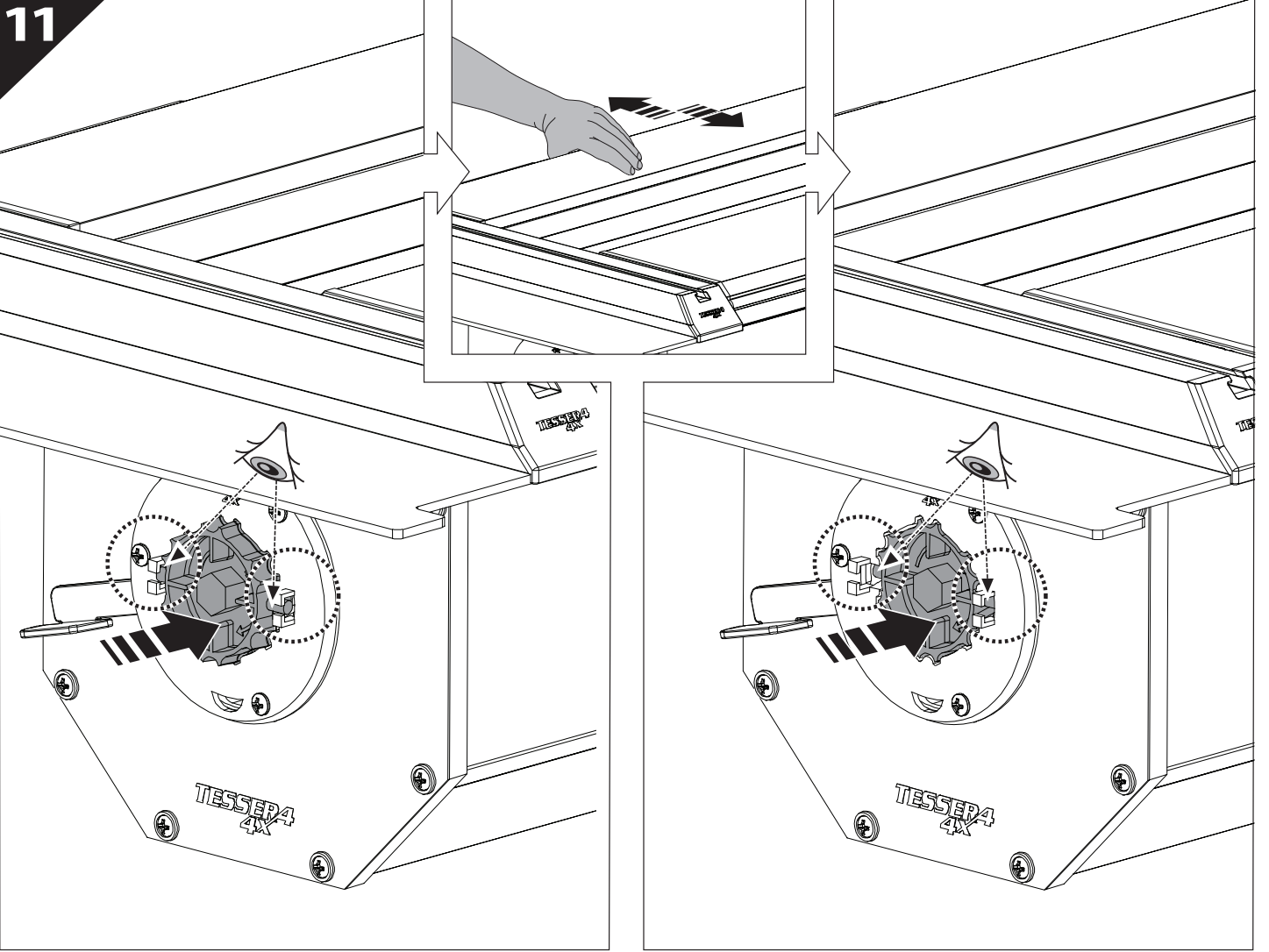




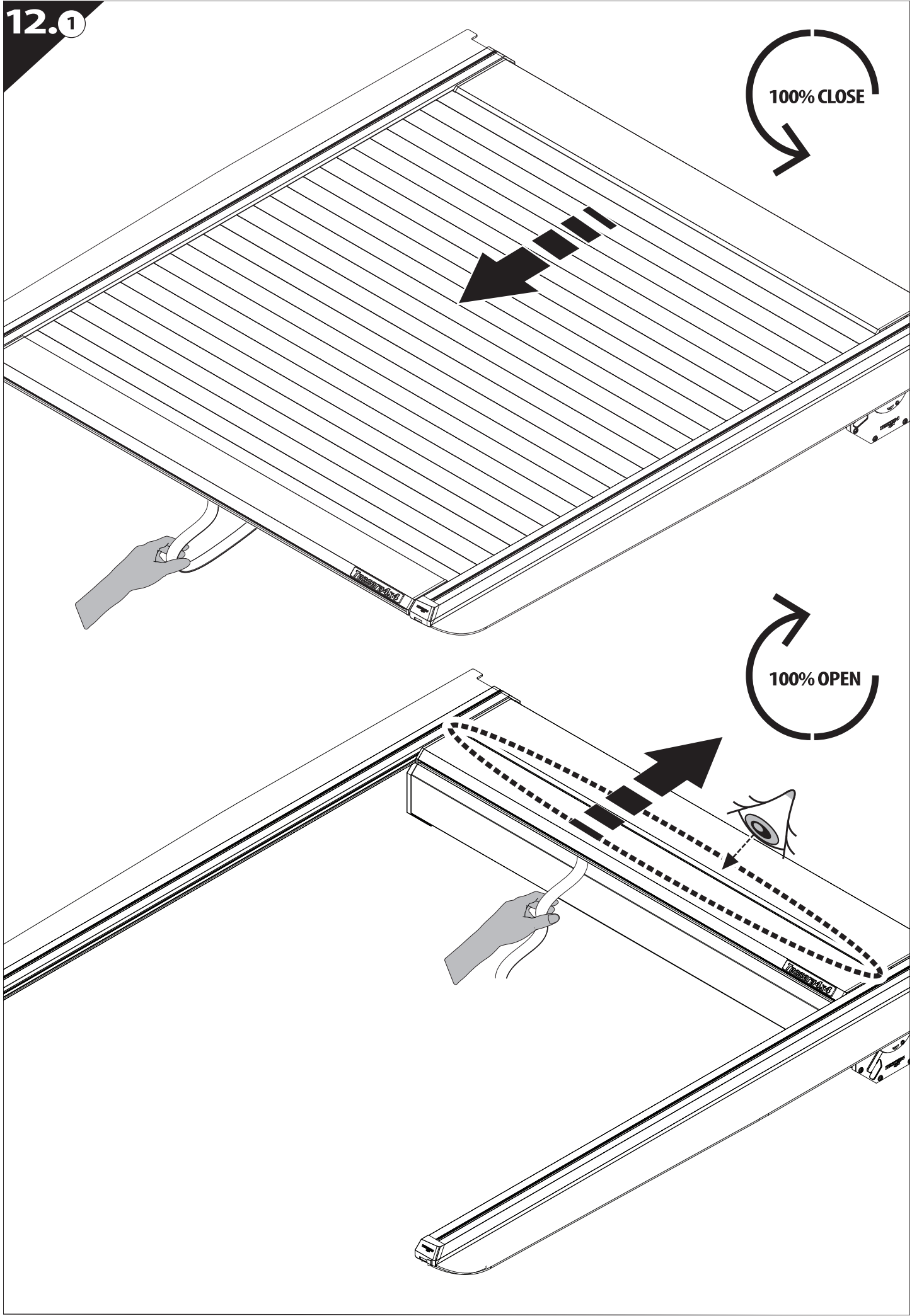


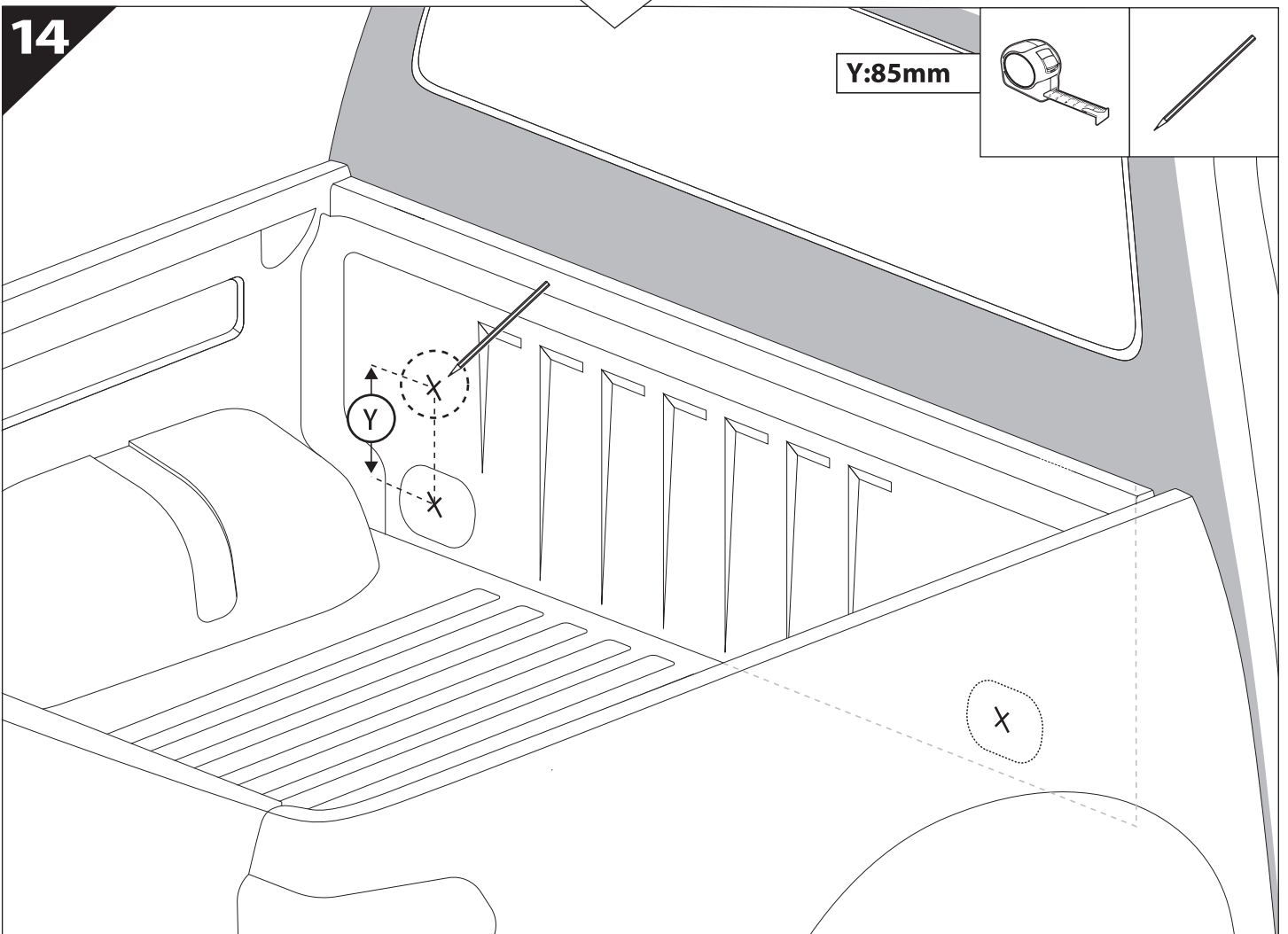
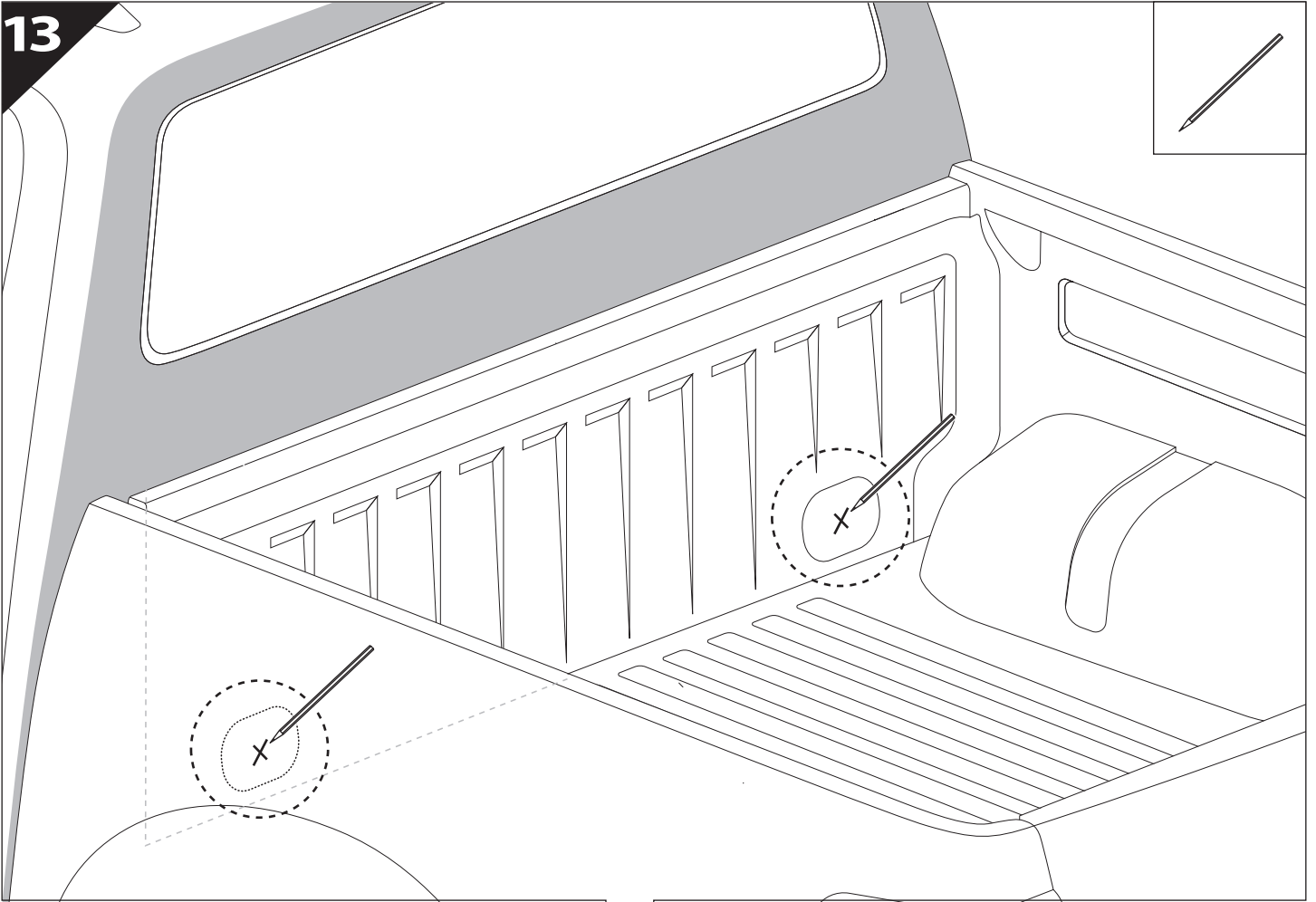
10





12.0





15

**CAUTION**

max: 2 mm

**CAUTION**

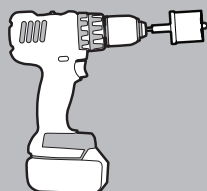
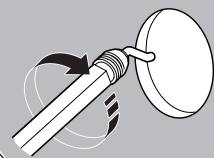
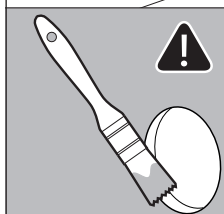
5 mm



Ø 25 mm

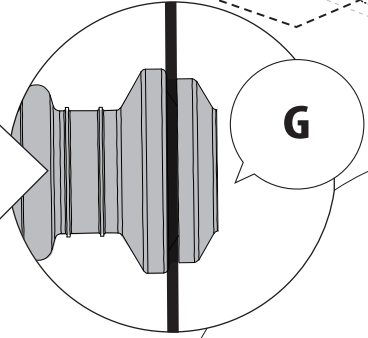
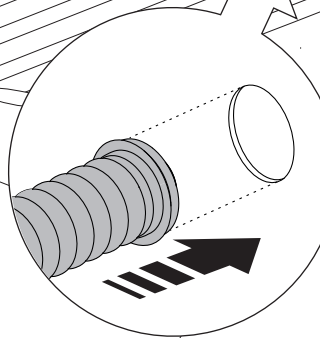
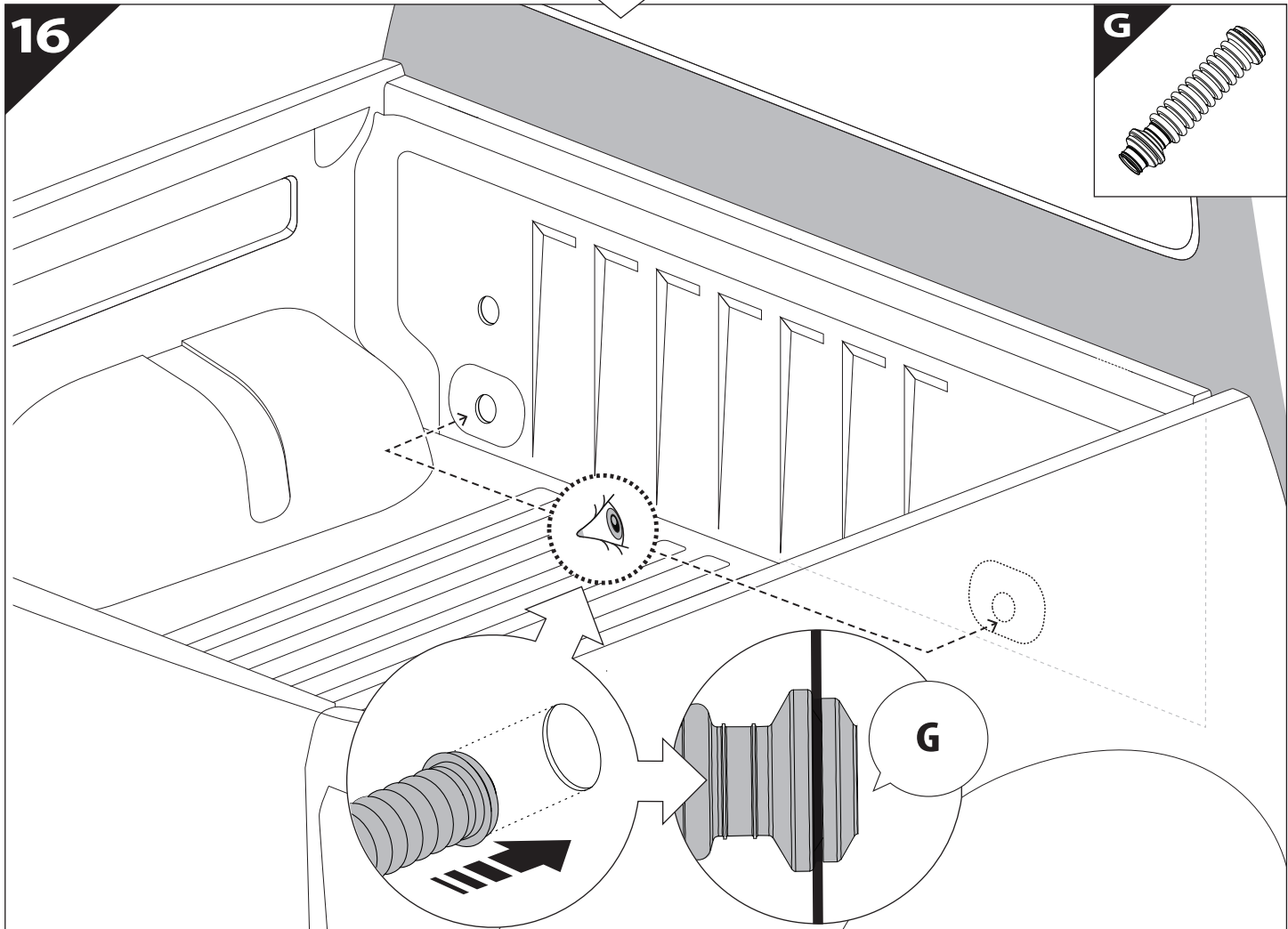


Rust Protection



16

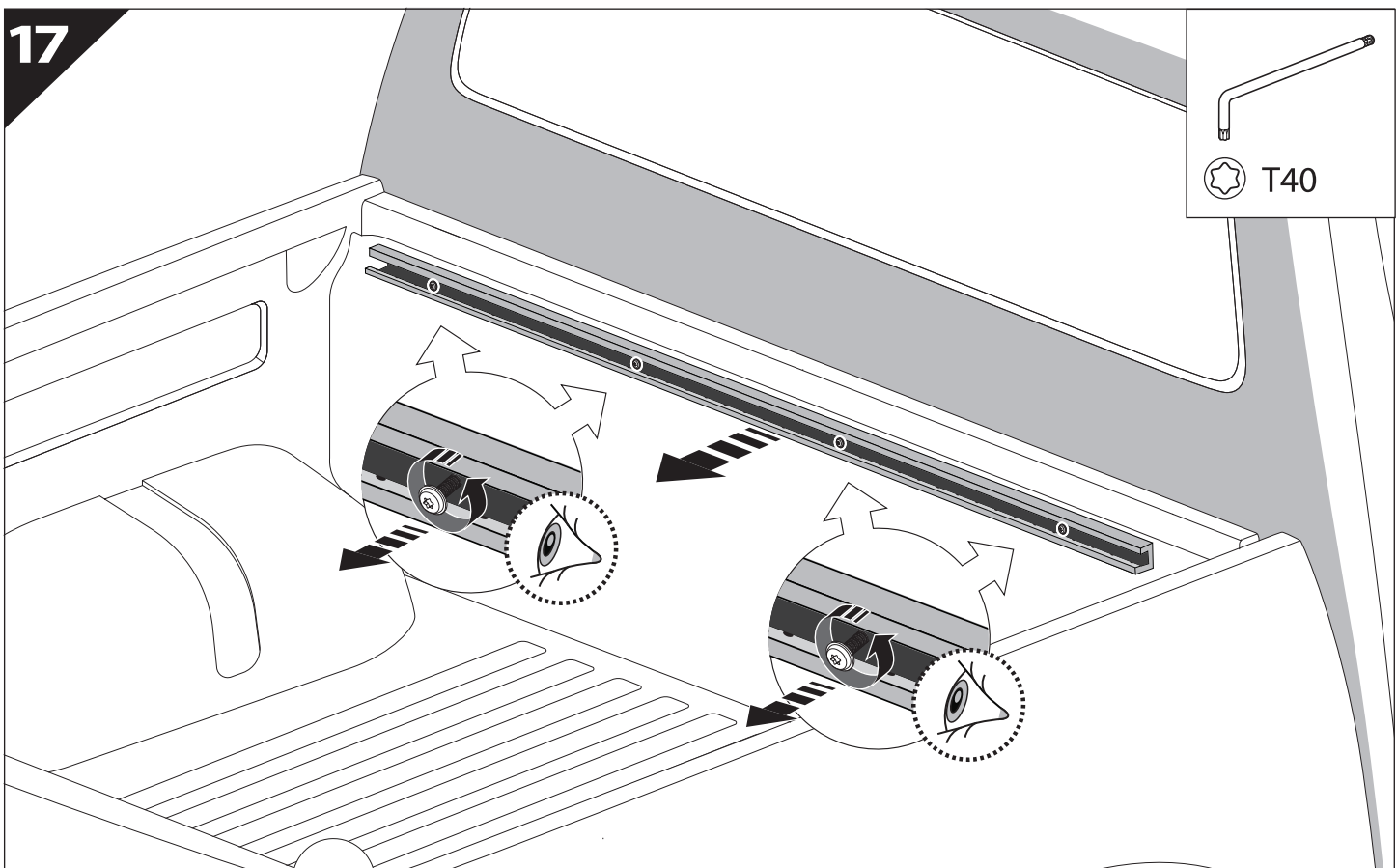
**G**



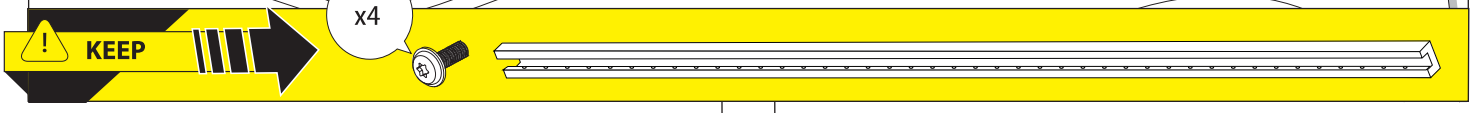
**G**



17

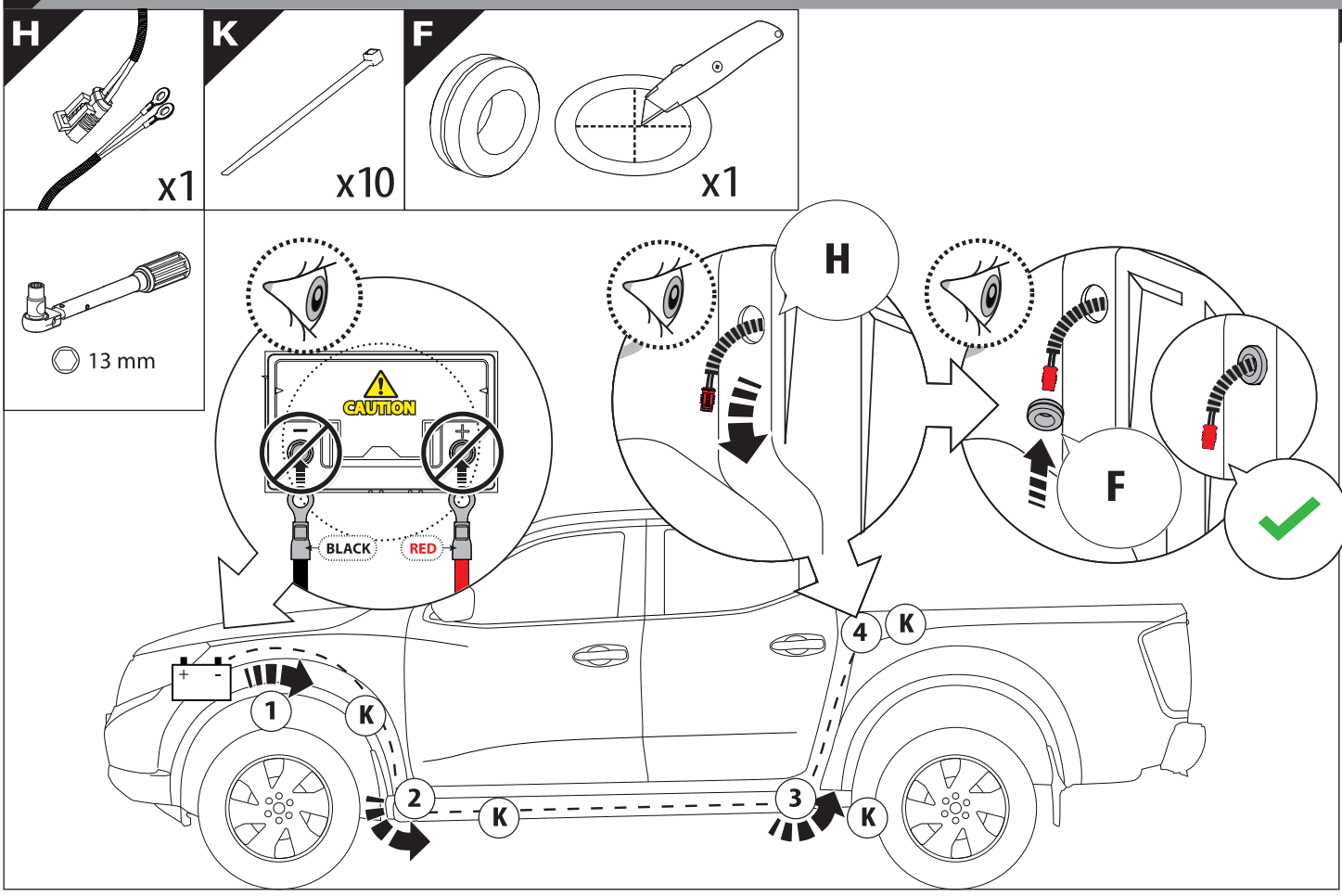


x4



18

Only to be installed by authorized personnel







**20**

**I** **J**

x2

8 mm

MODEL YEAR	LIGHTS	CAR	TESSERA ROLL+
2020+	BEAM		
2020+	STOP		

MODEL YEAR	LIGHTS	CAR	TESSERA ROLL+
2022+	BEAM		
2022+	STOP		

4 Nm

**21**

**N**

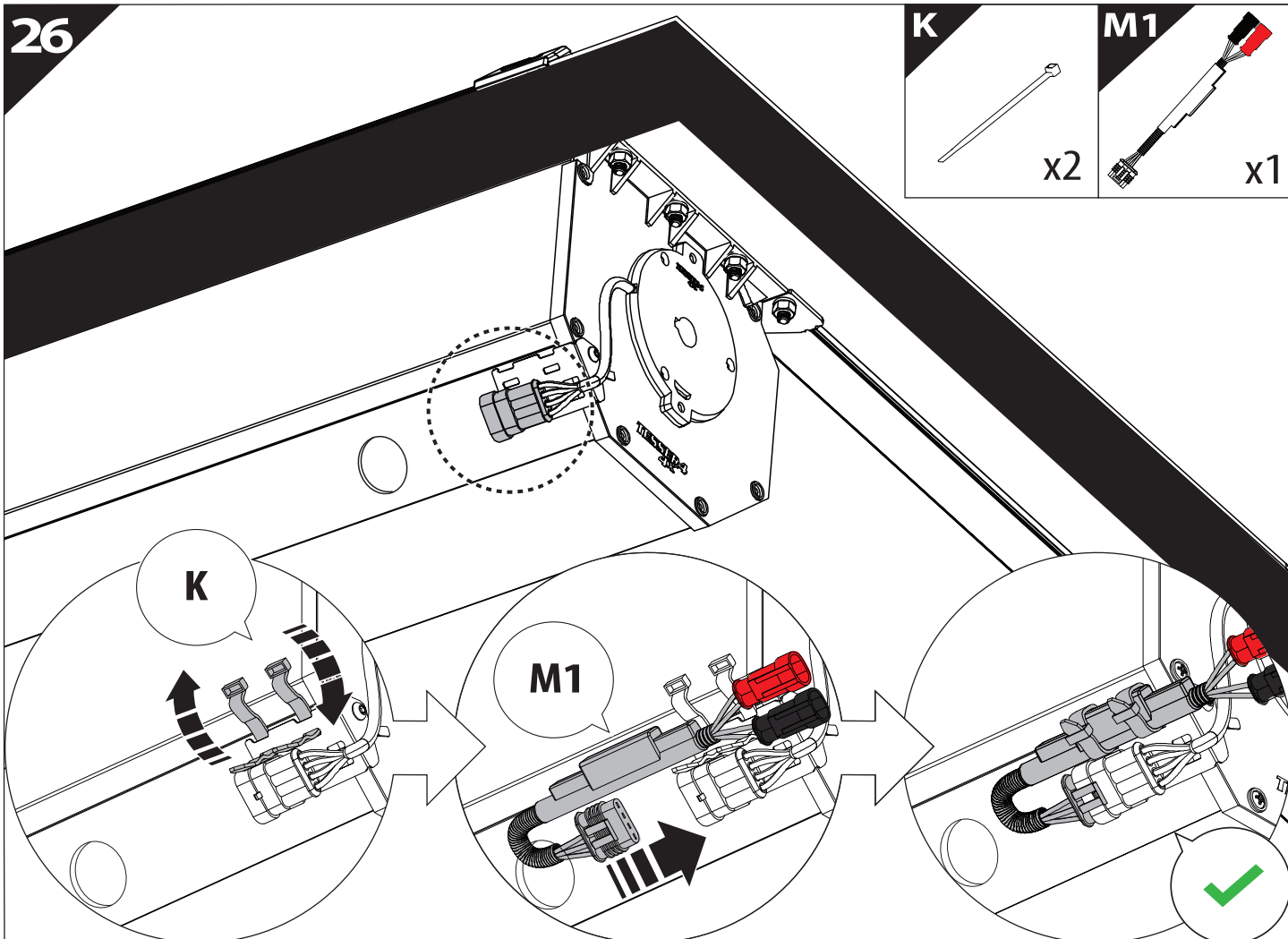
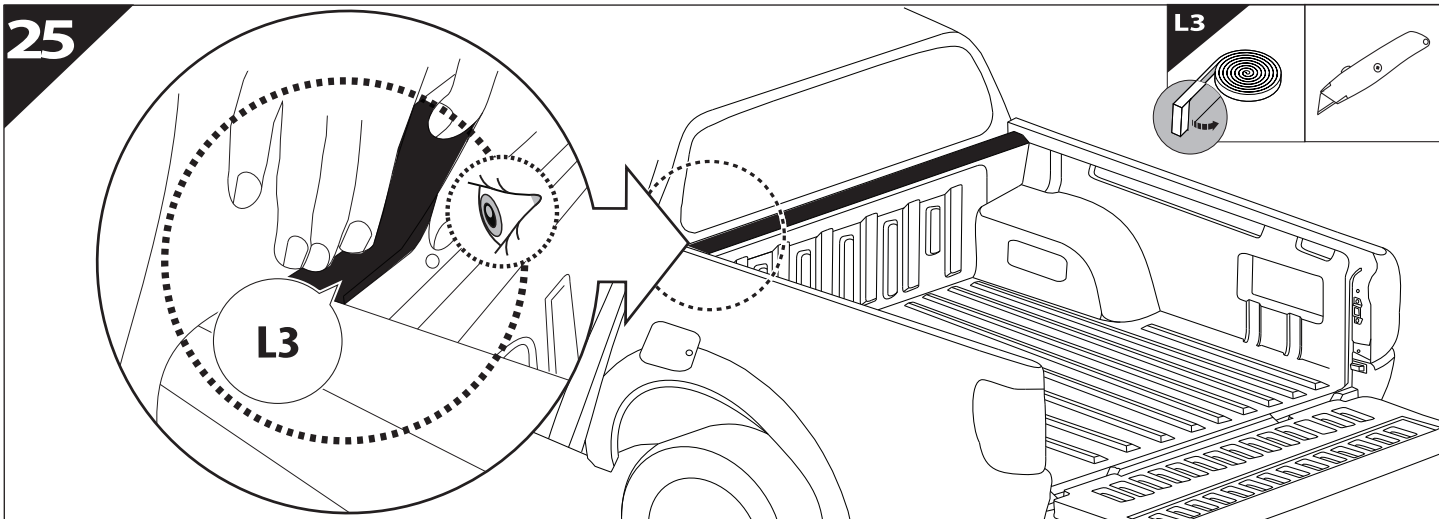
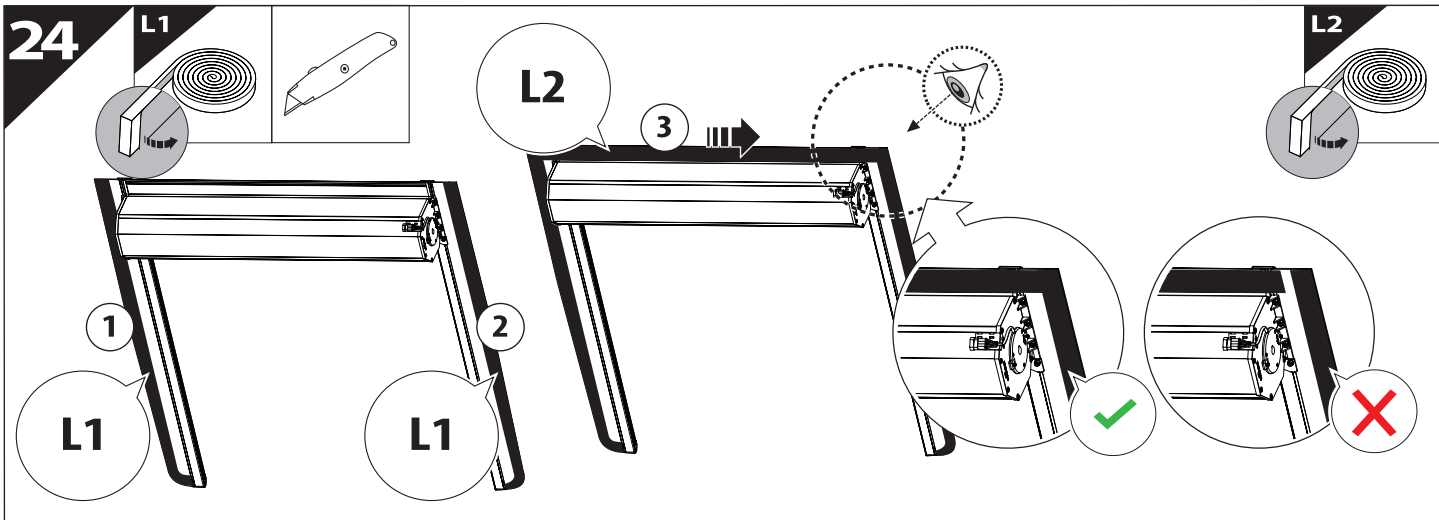
x6

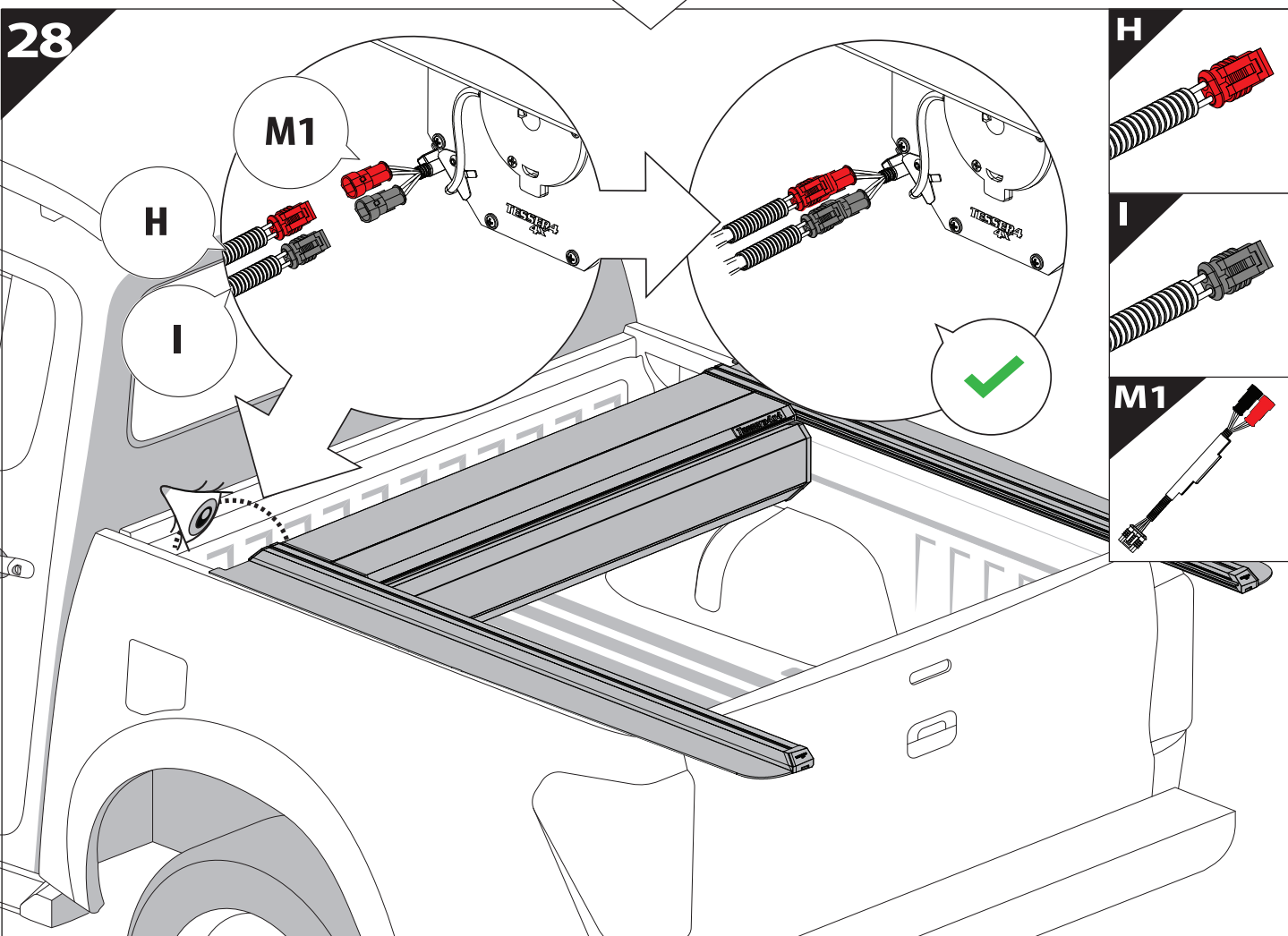
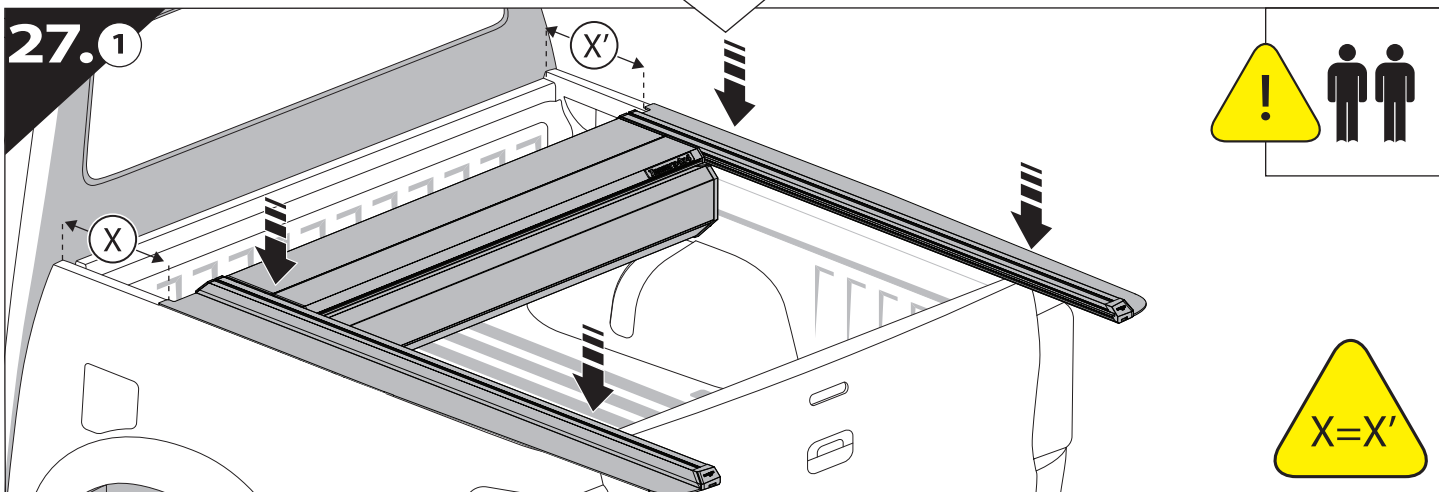
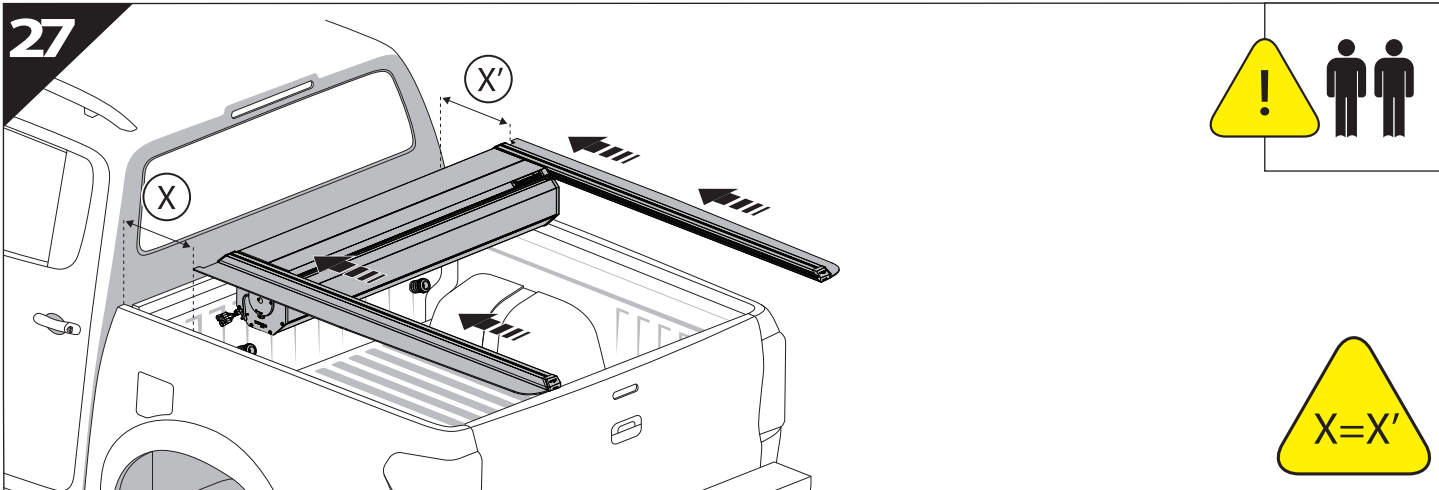
**22**

H<sub>2</sub>O

**23**

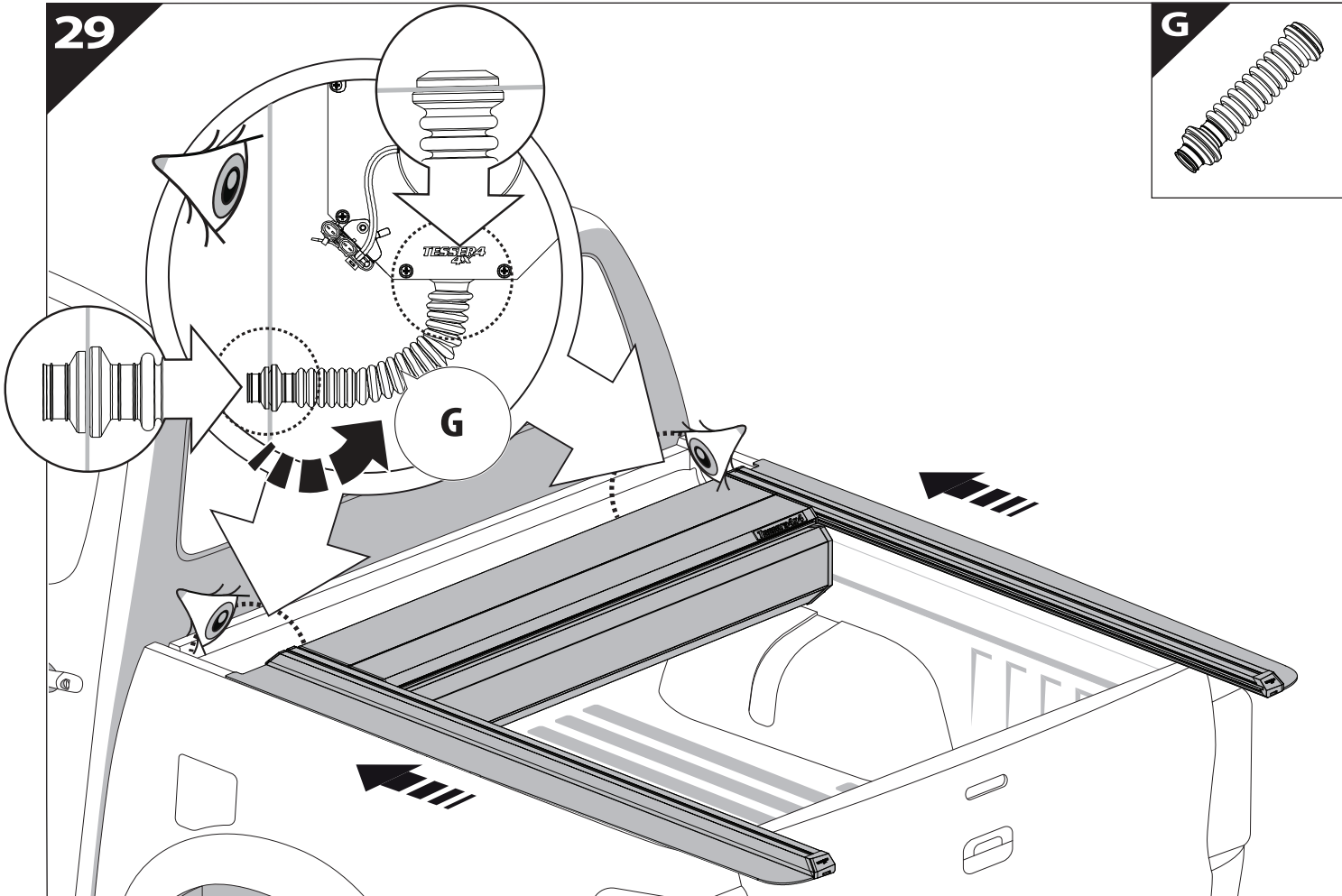
ACETONE





29

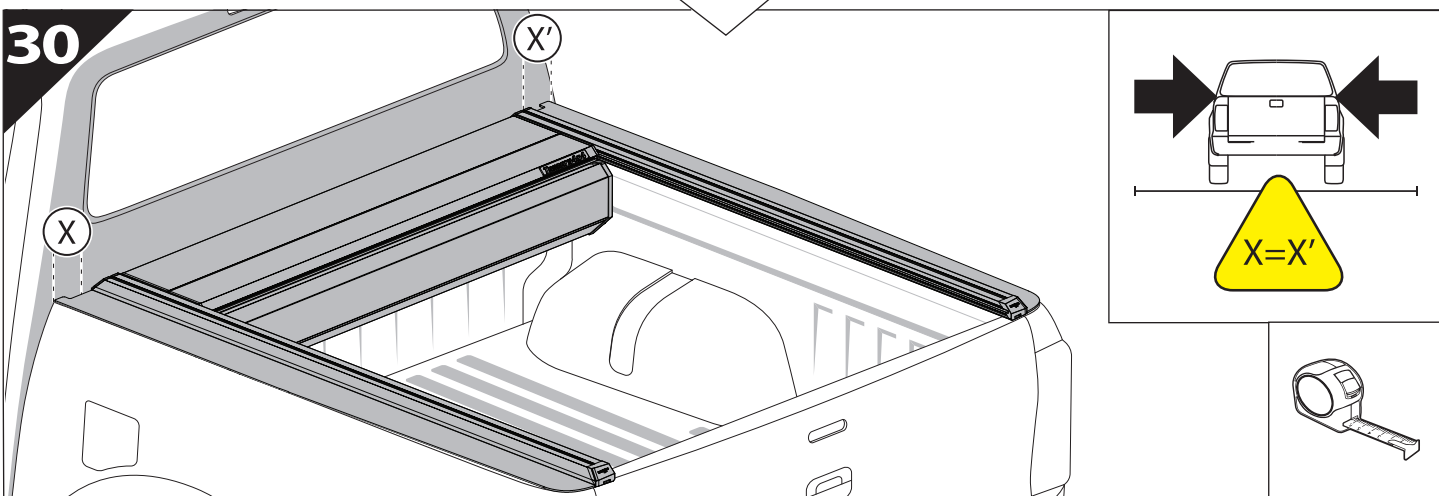
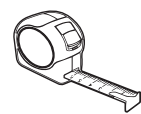
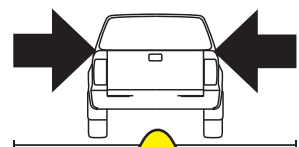
G



30

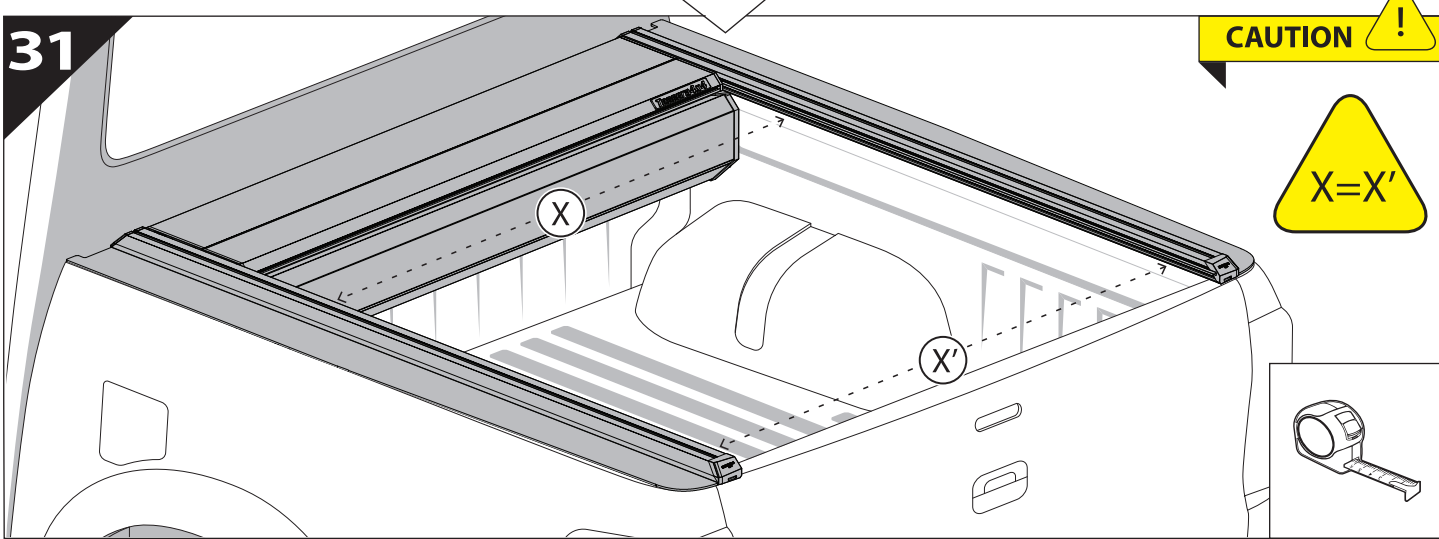
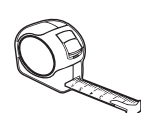
X'

X

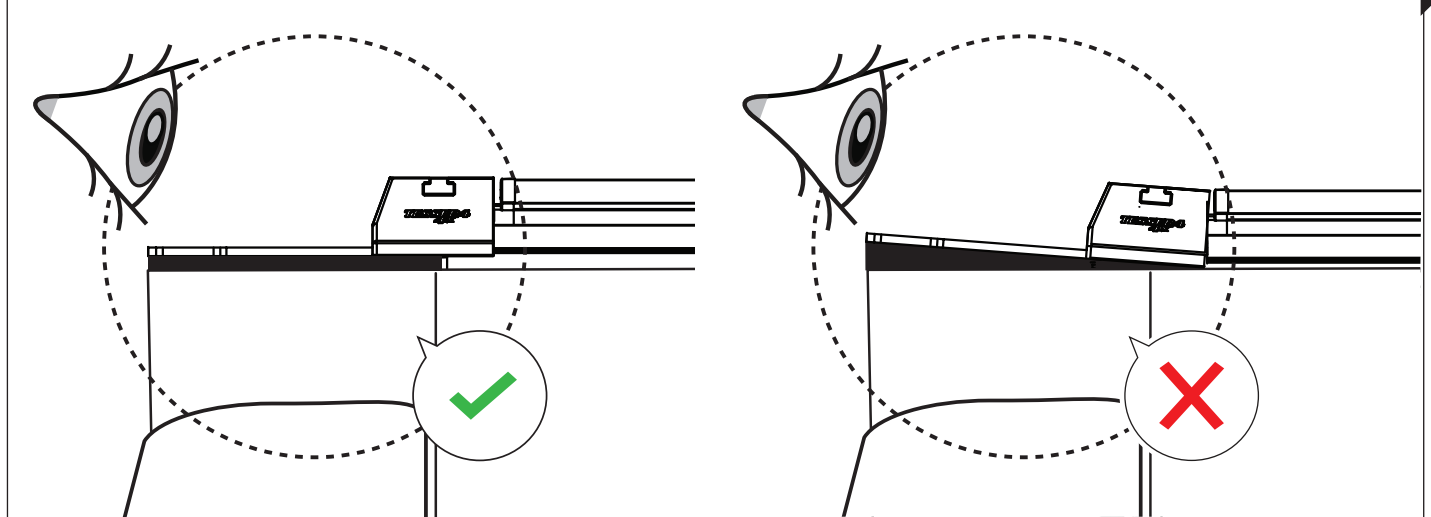
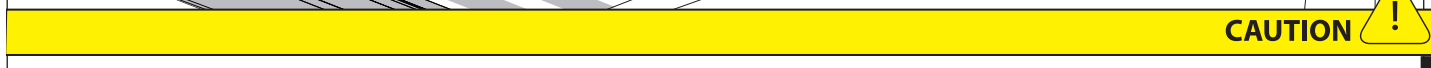
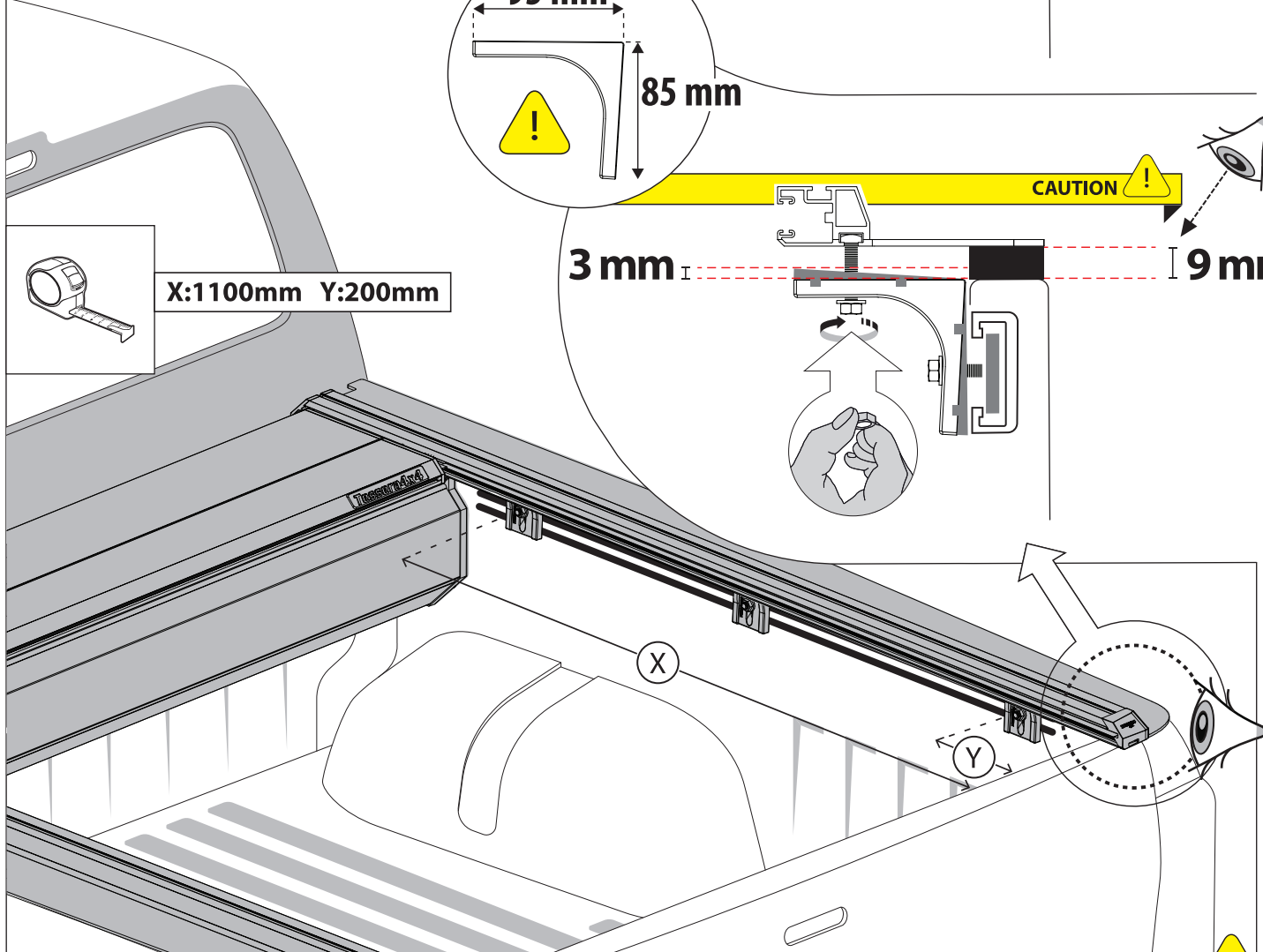
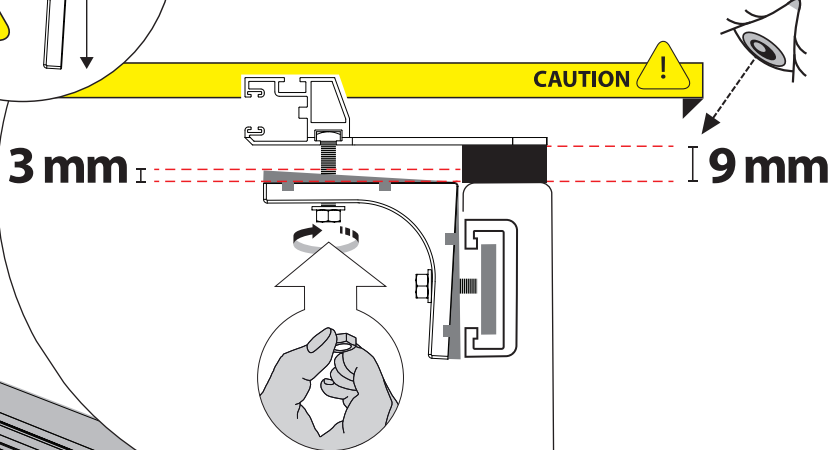
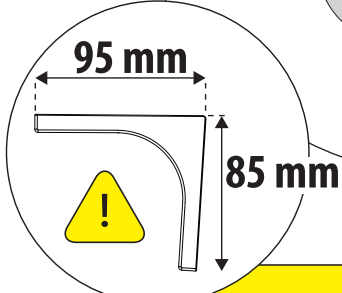
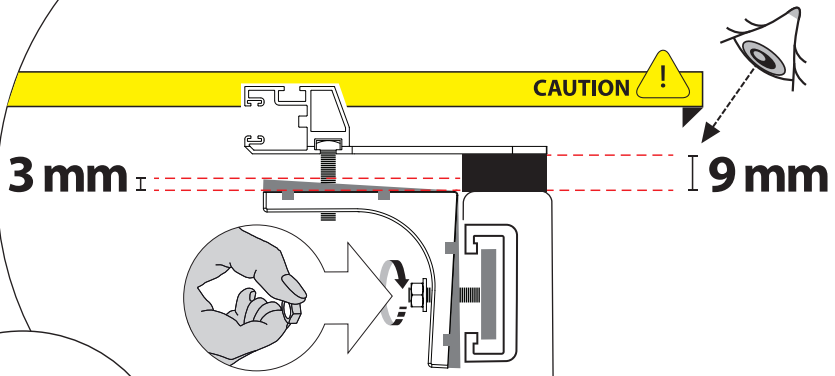
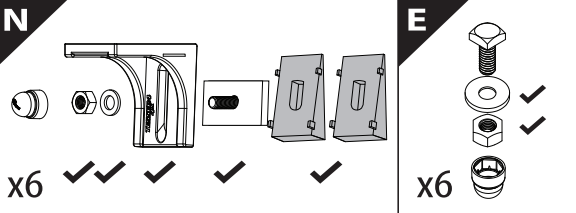


31

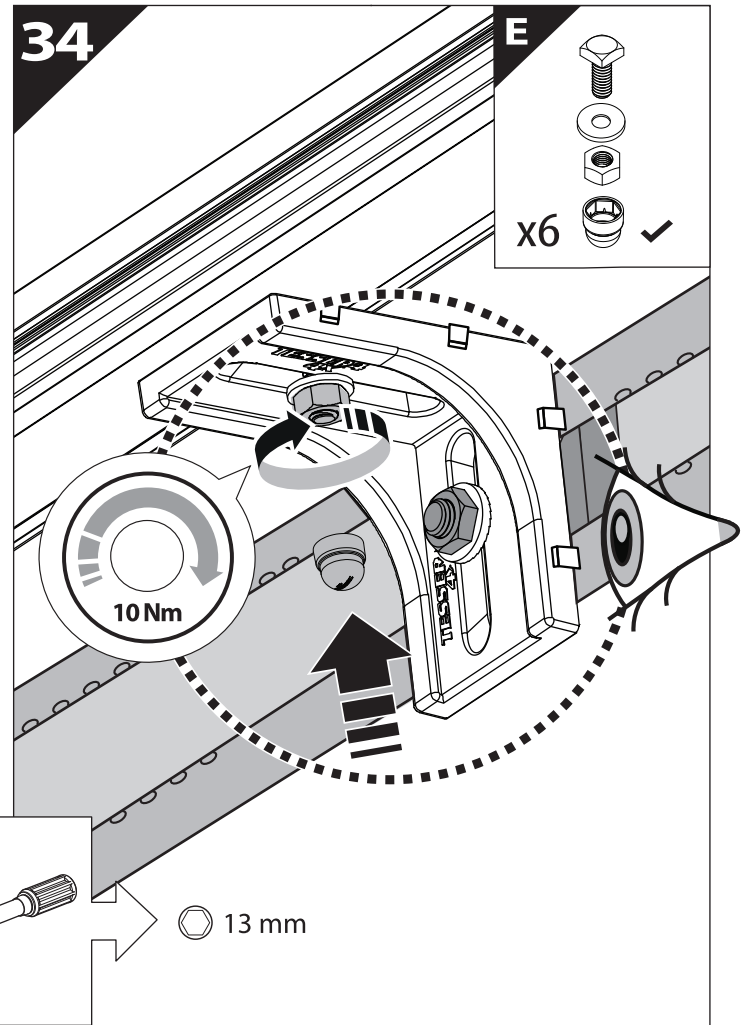
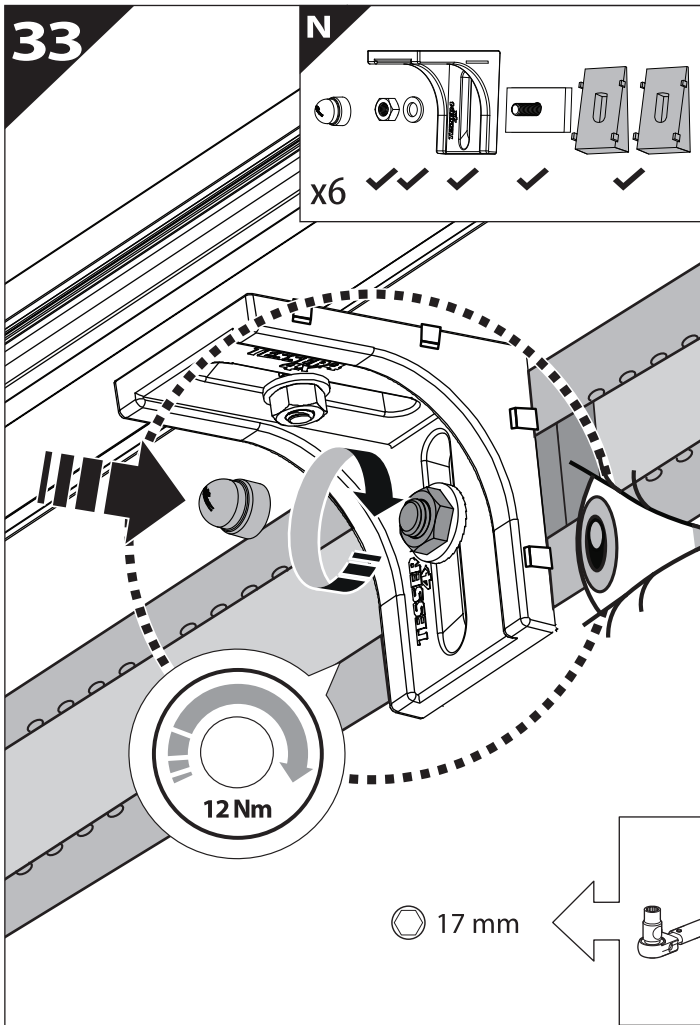
CAUTION !



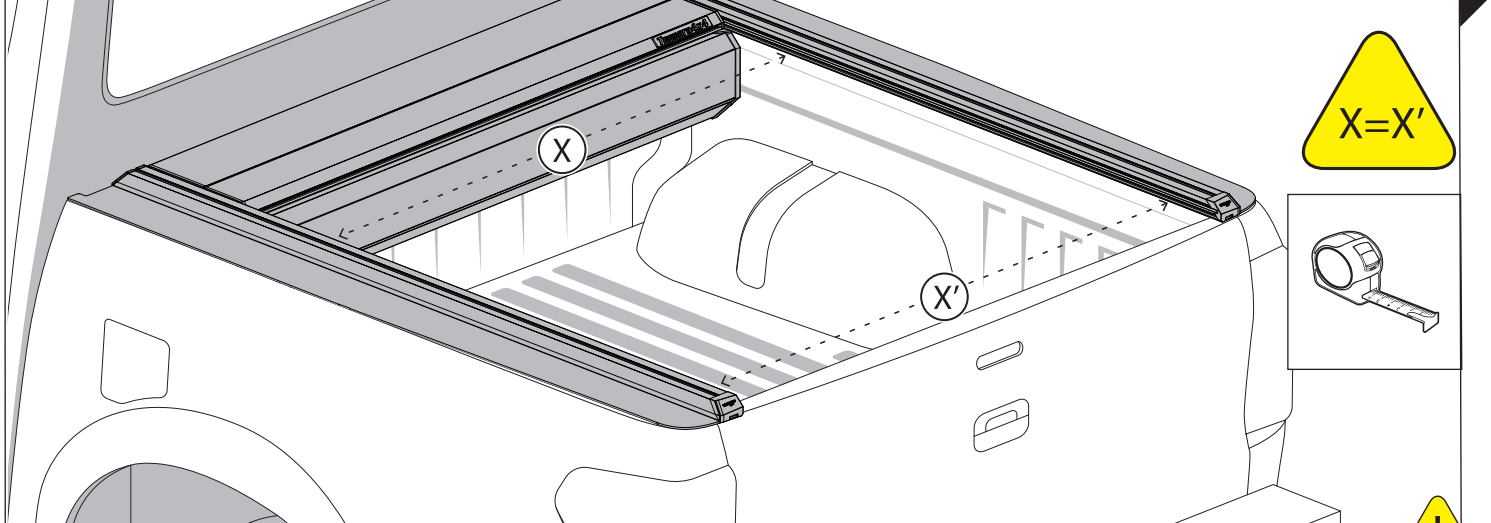
32



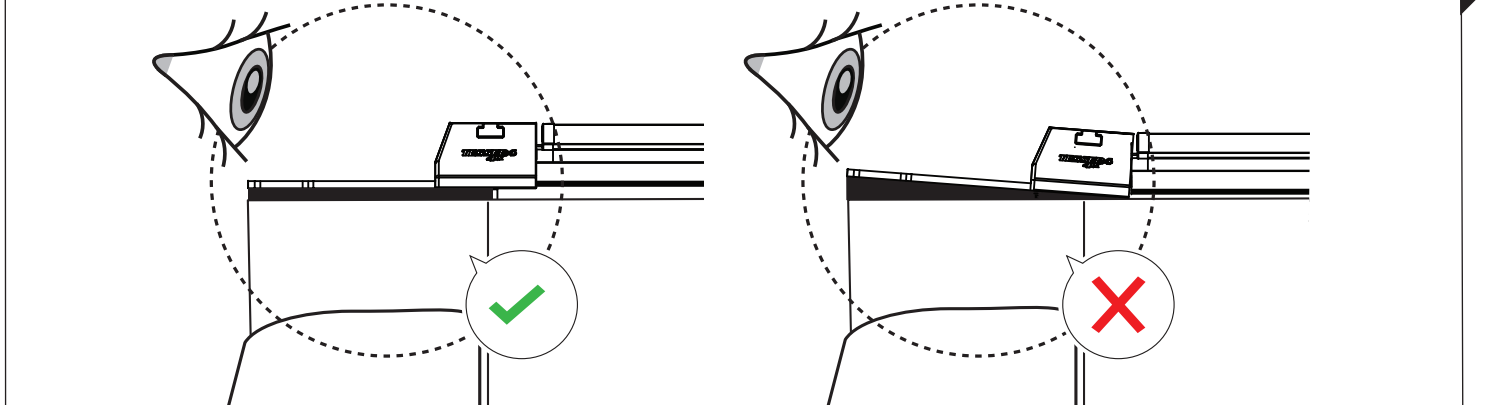




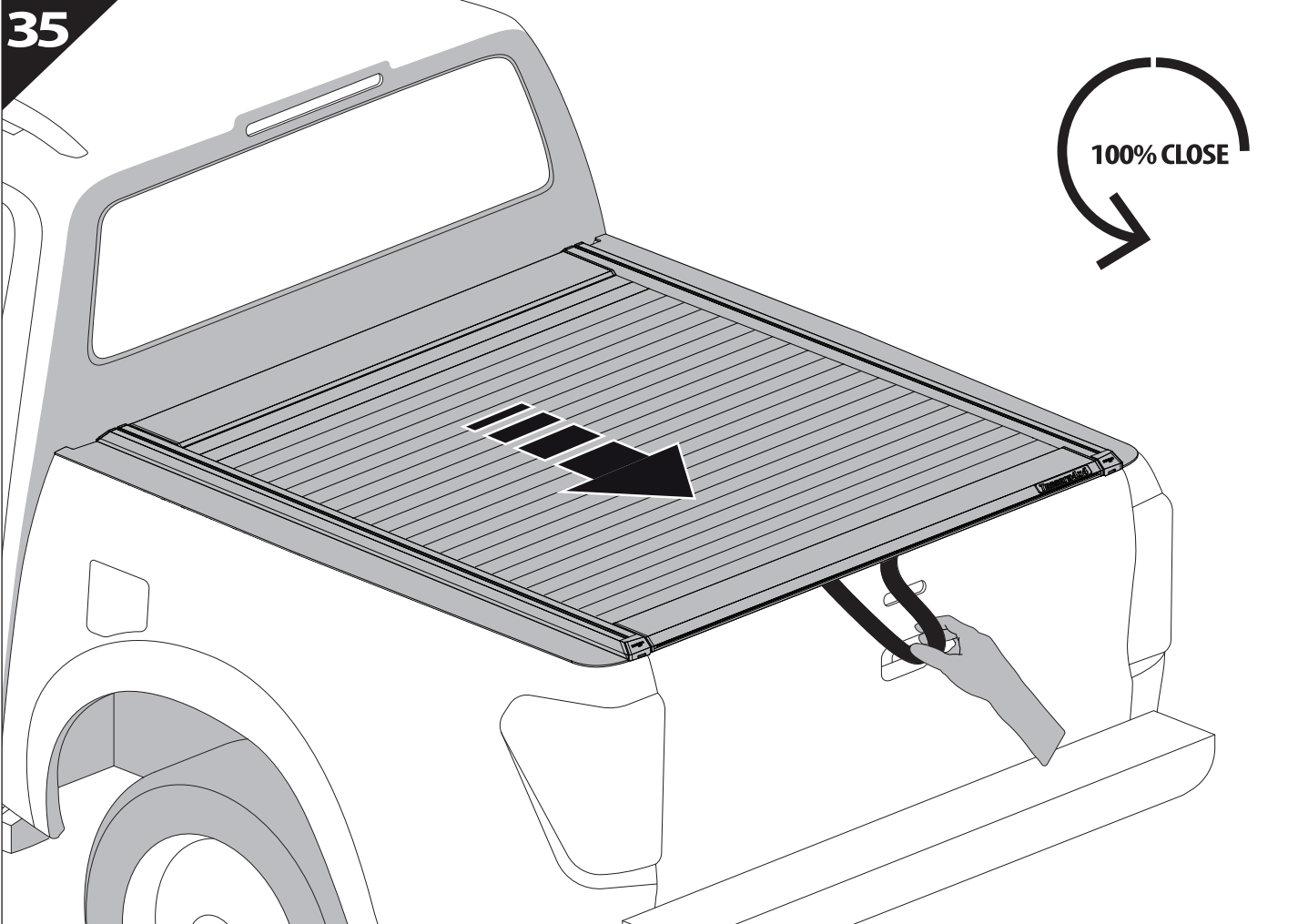
**CAUTION** !



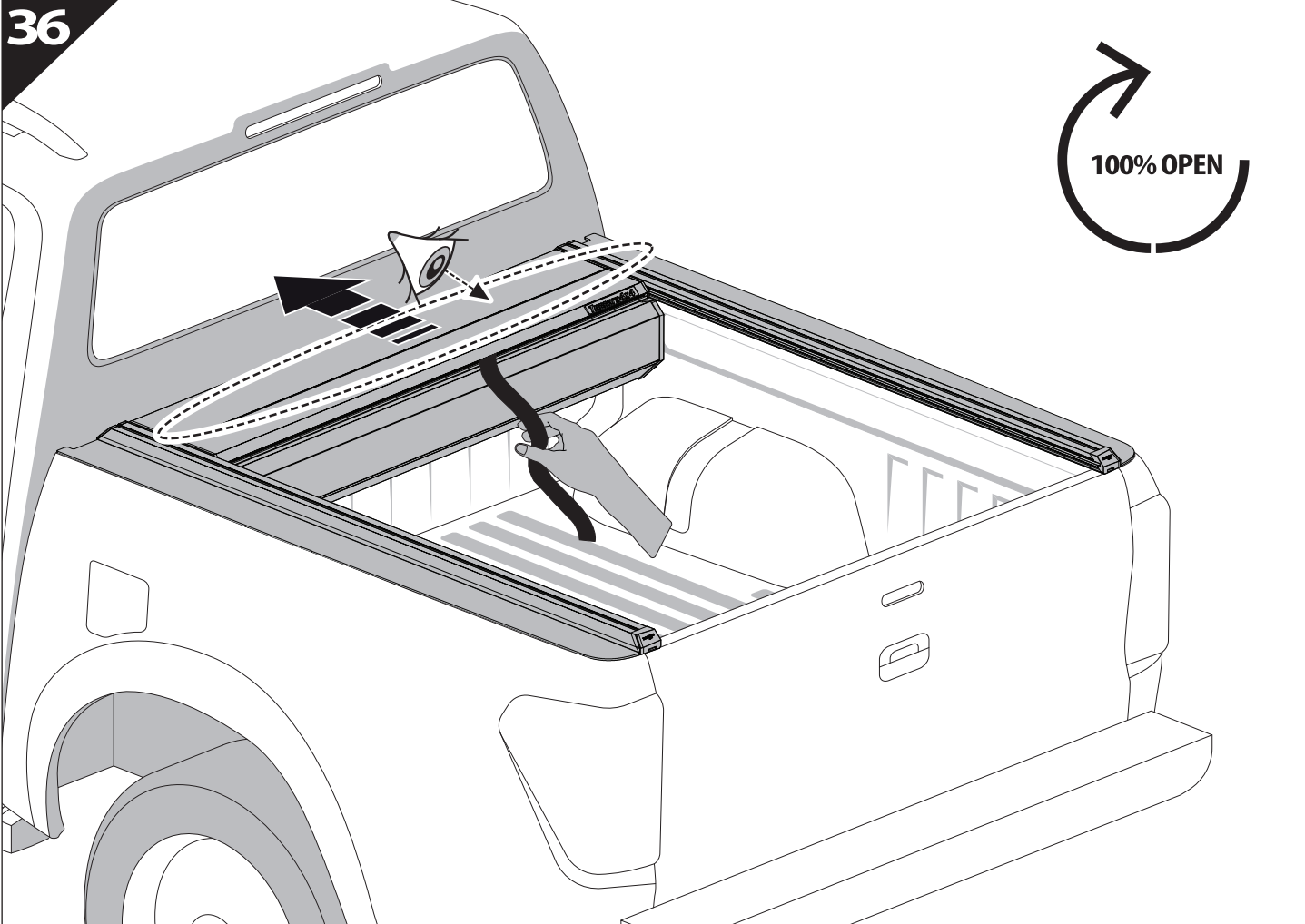
**CAUTION** !



35



36





**GR:** Οδηγίες Εγκατάστασης  
**GB:** Installation manual  
**SF:** Asennusohje  
**F:** Notice de montage  
**PL:** Instrukcja montażu  
**NL:** Installatie-instructies  
**TR:** Montaj Talimatı  
**S:** Monteringsanvisning  
**E:** Instrucciones de montaje

**H:** Szerelési utasítás  
**P:** Instruções de instalação  
**RUS:** Инструкция по установке  
**N:** Monteringsveiledning  
**D:** Einbauanleitung  
**CZ:** Návod k instalaci  
**I:** Istruzioni de montaggio  
**DK:** Monteringsvejledning  
**RO:** Instructiuni de instalare

Customer Service:

+30 (210) 5541161, +30 (210) 5541154 (08:00 - 16:00 EET)

Support department:

[info@gianso.gr](mailto:info@gianso.gr)

Website:

[www.tessera4x4.com](http://www.tessera4x4.com)

Address:

19.5 km of National road Athens-Korinthos (Elefsina) Greece, P.C: 19200