

# Tessera Roll+

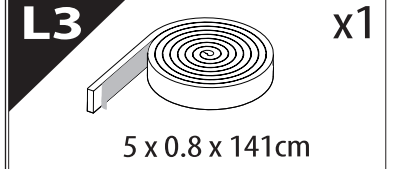
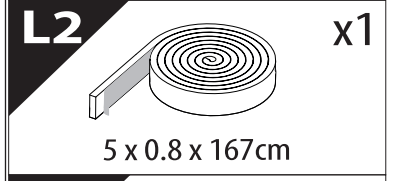
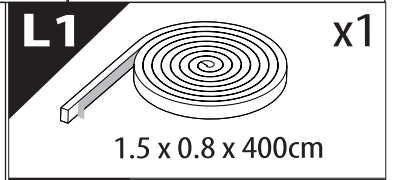
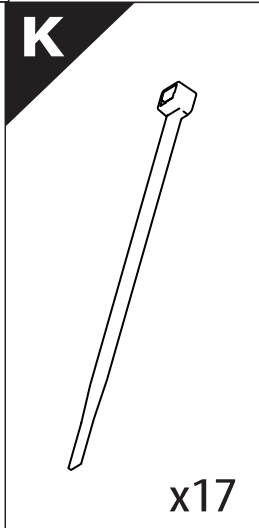
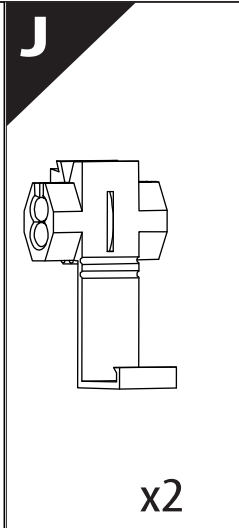
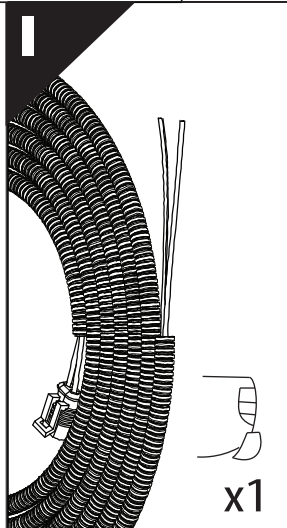
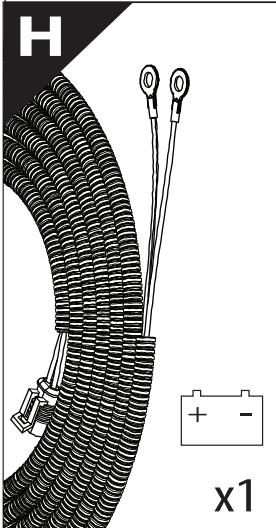
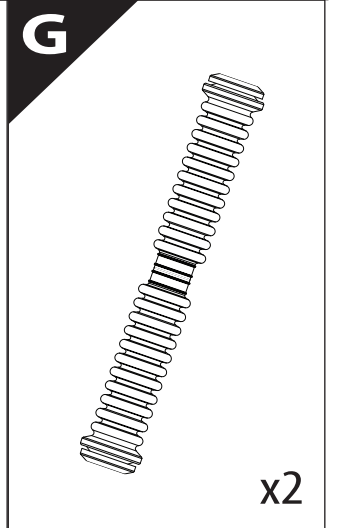
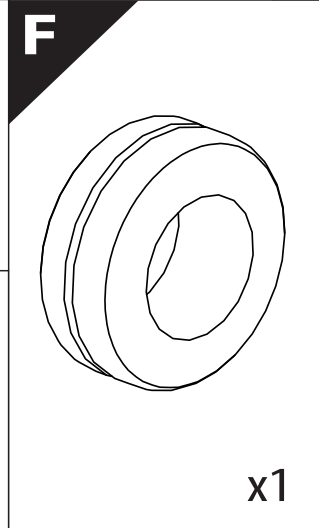
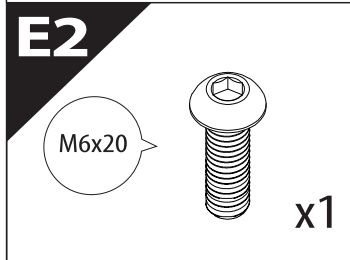
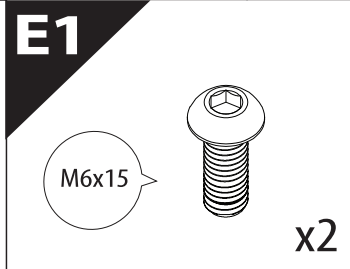
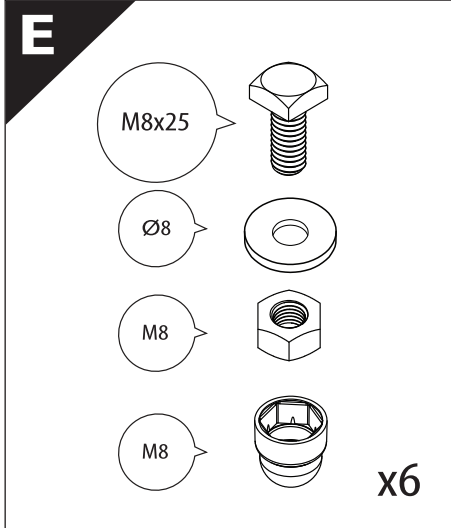
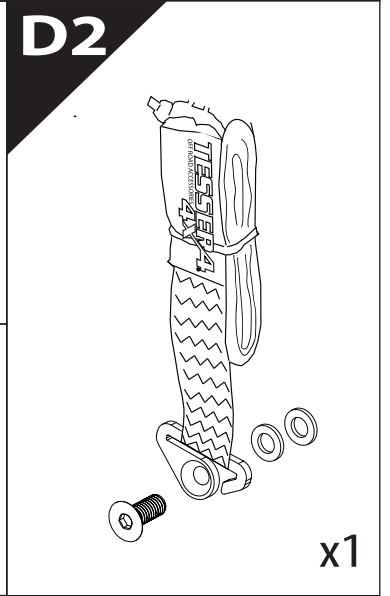
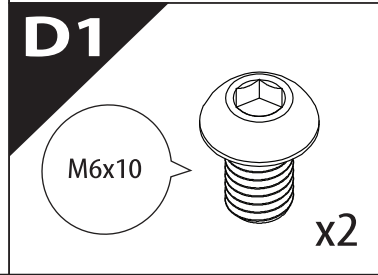
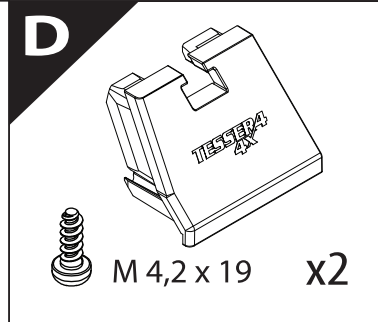
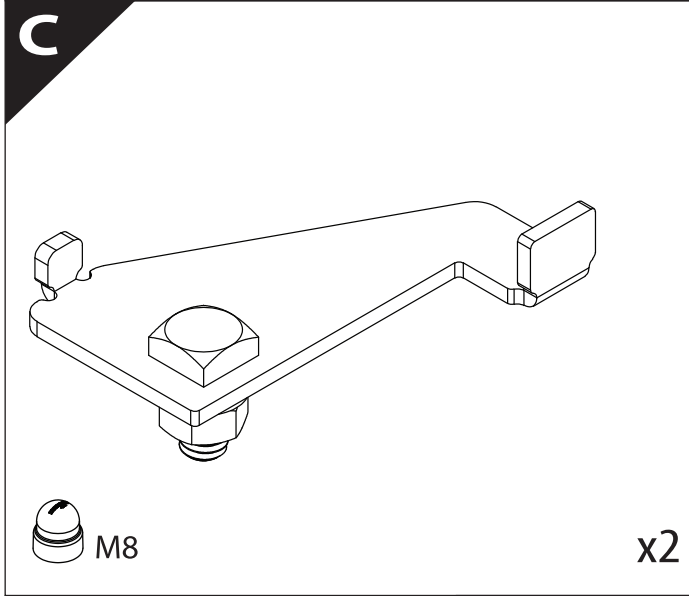
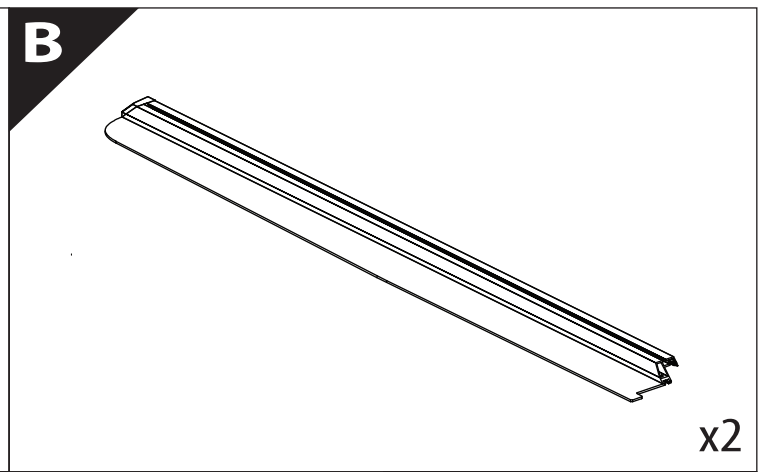
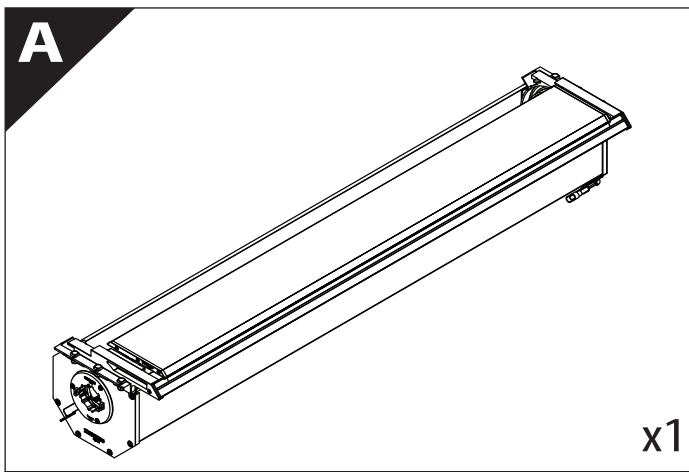
## Basic Version + ⚡ E-KIT



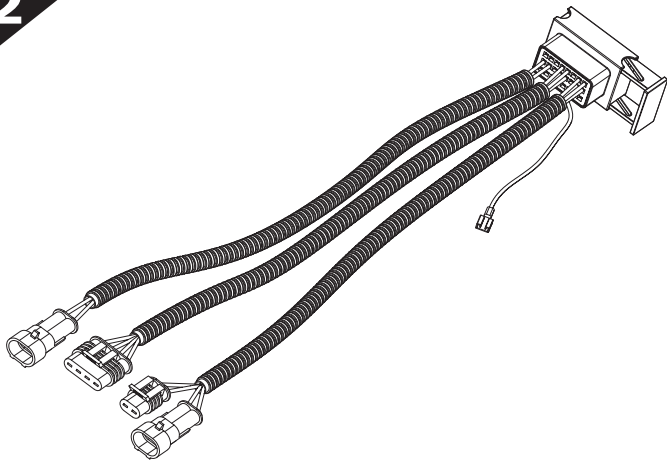
## Installation Manual

<b>PART NUMBER(S)</b>	<b>Model Year</b>
<b>TESS 1422 ROLL+E-KIT</b>	<b>JEEP GLADIATOR (no-c-channels)</b>
<b>Cab(s)</b>	<b>Installation Time / Weight</b>
<b>Double Cab</b>	<b>40-60 minutes / 53-57 kg</b>



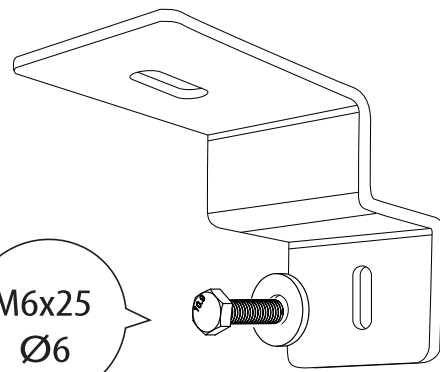


**M2**



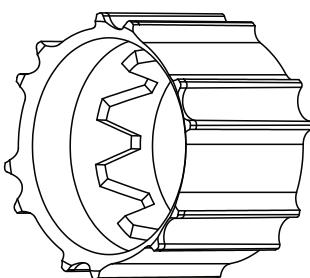
x1

**N**



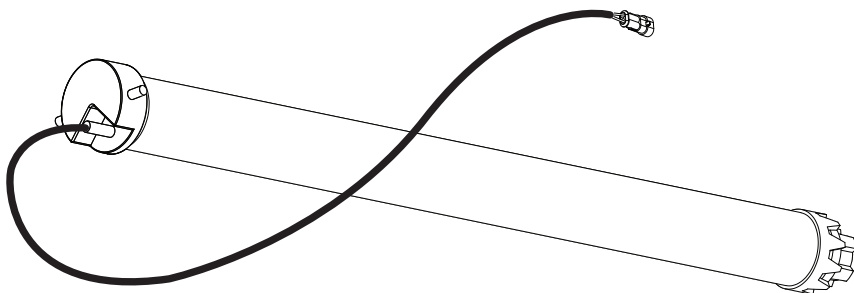
x6

**O**



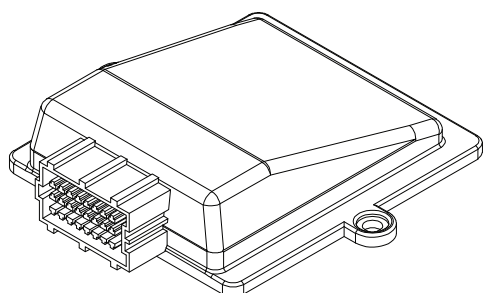
x1

**P**



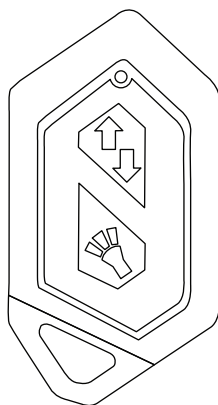
x1

**Q**



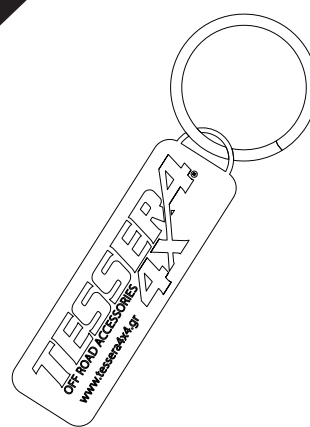
x1

**R**

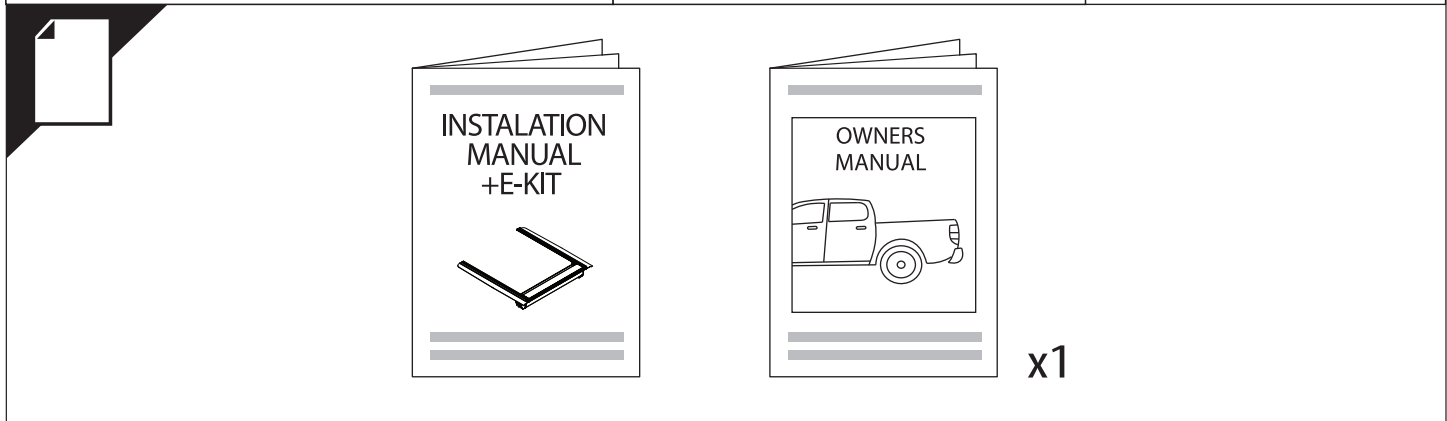
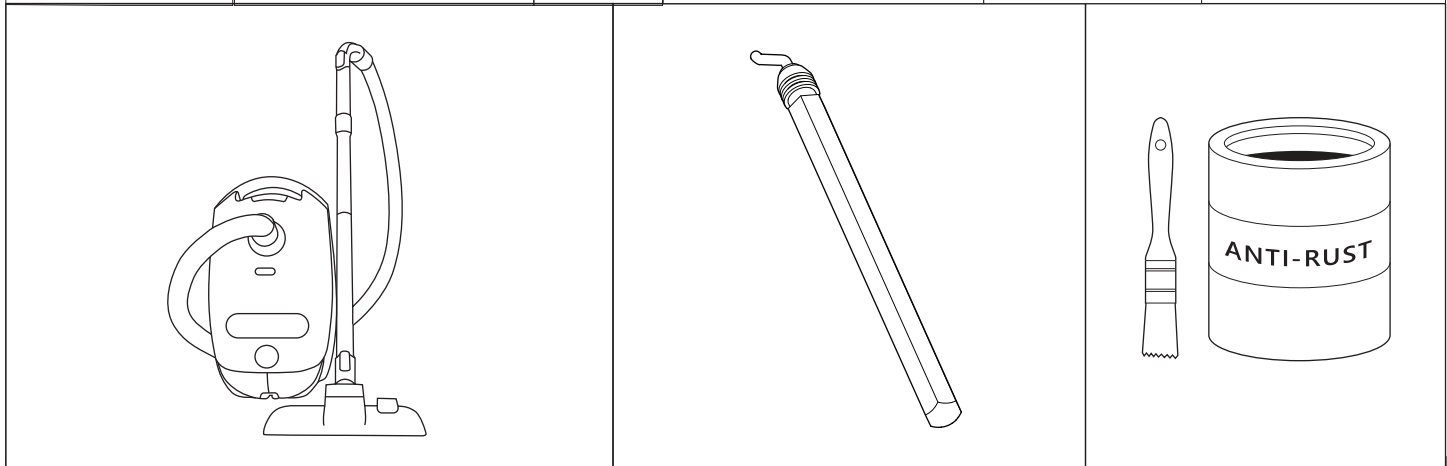
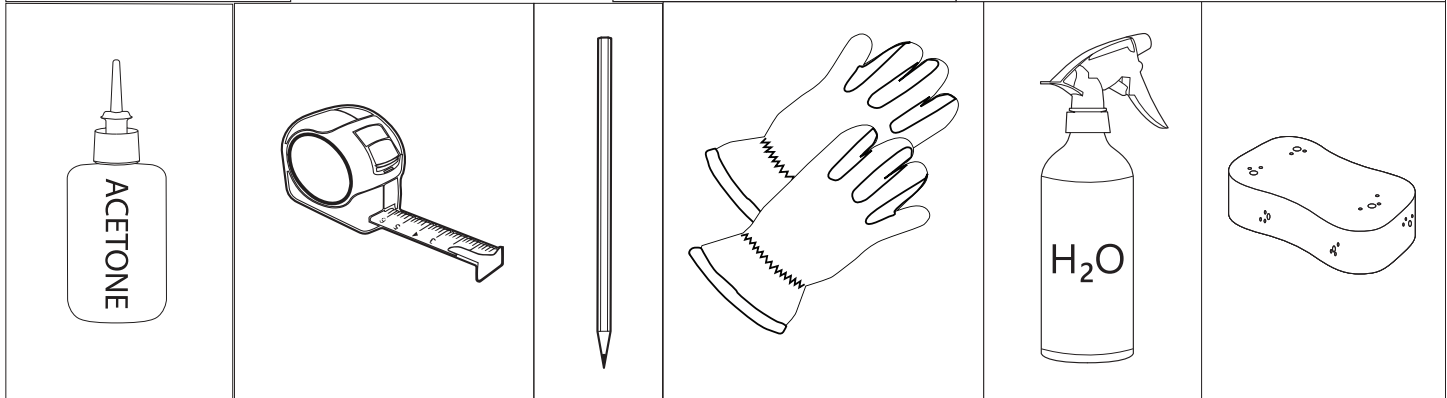
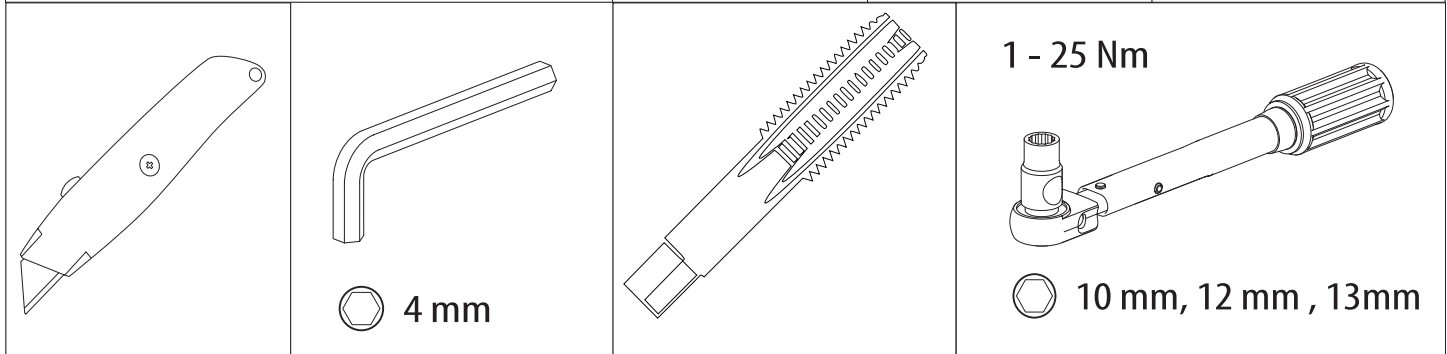
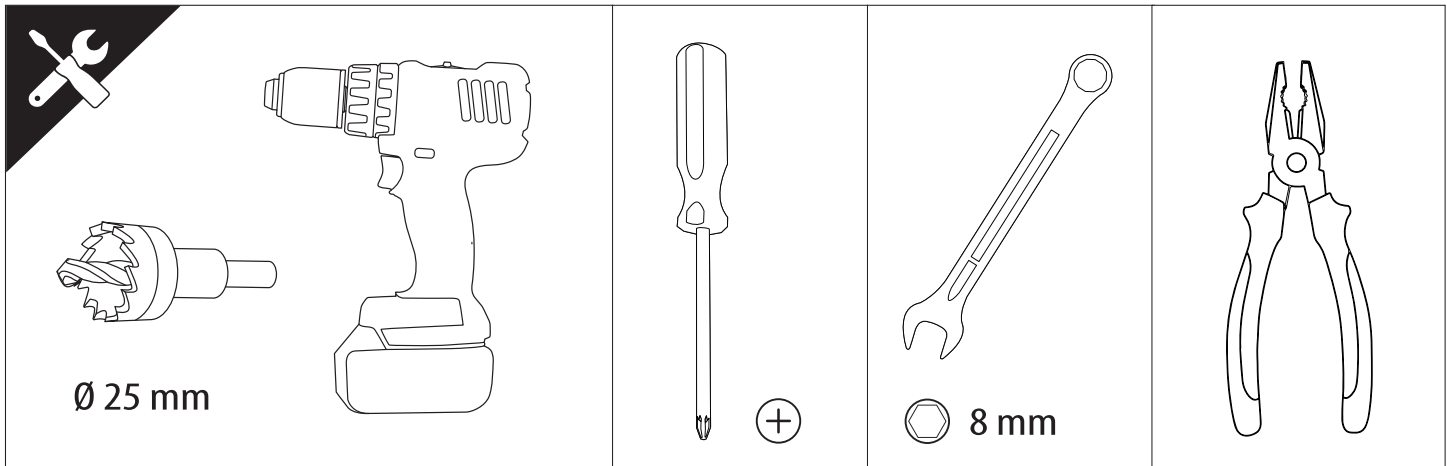


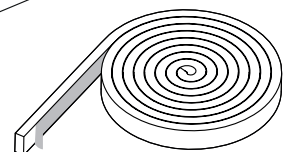
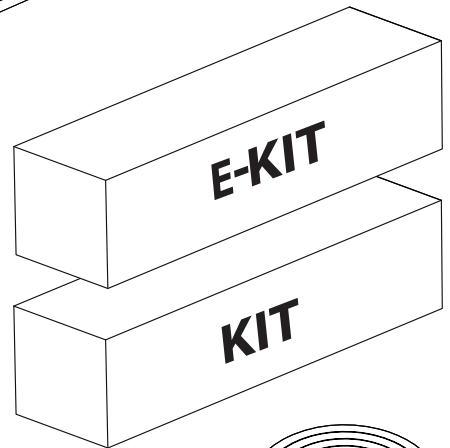
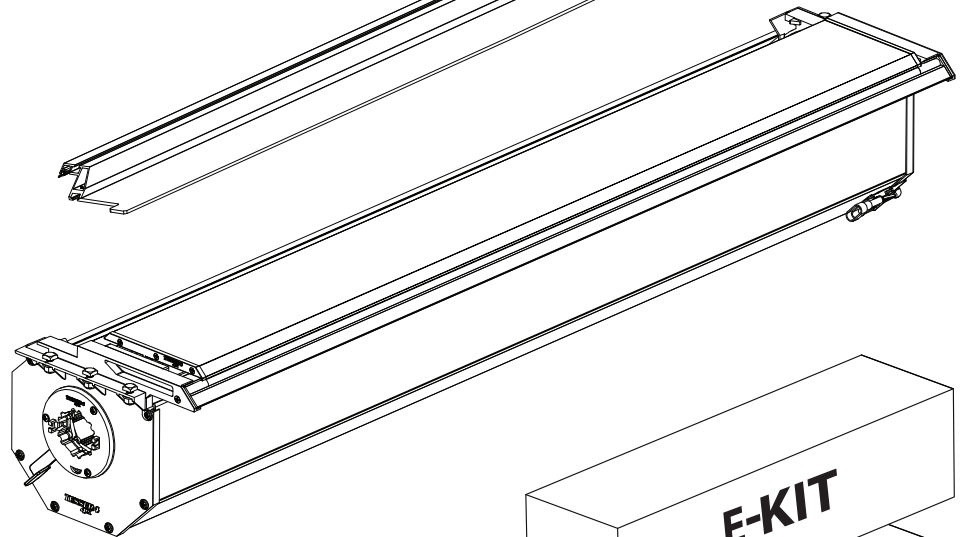
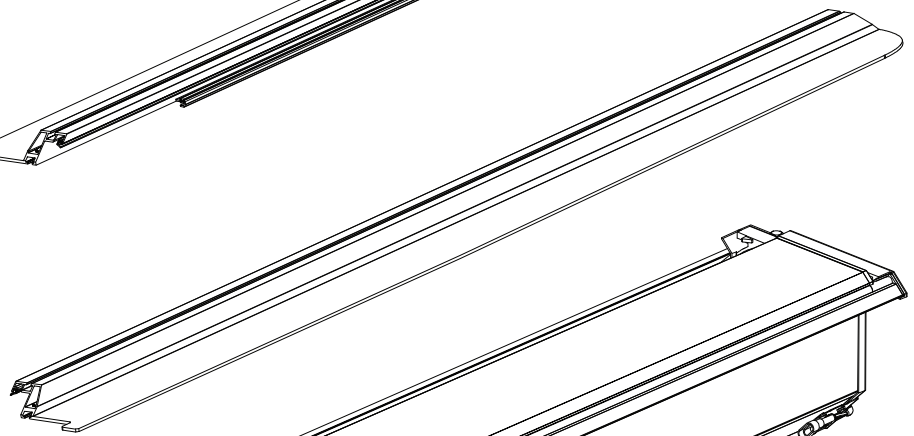
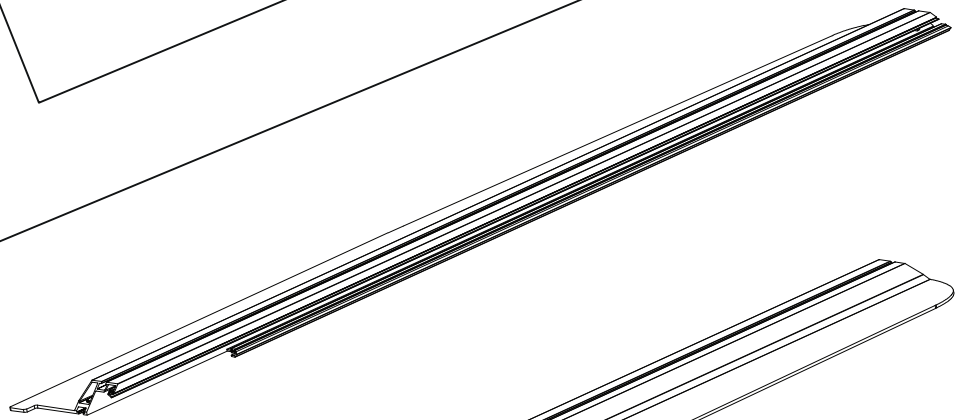
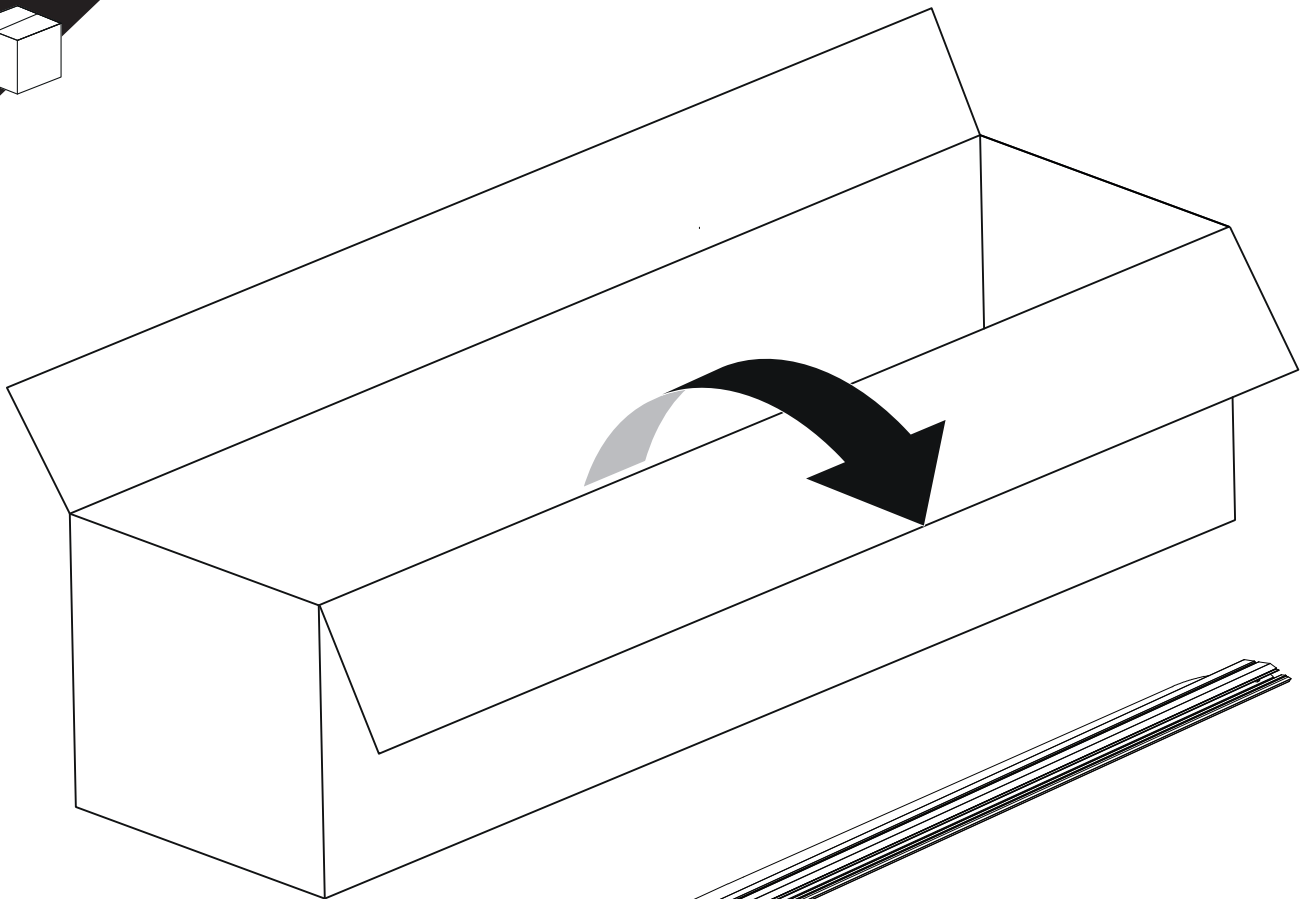
x2

**S**



x2



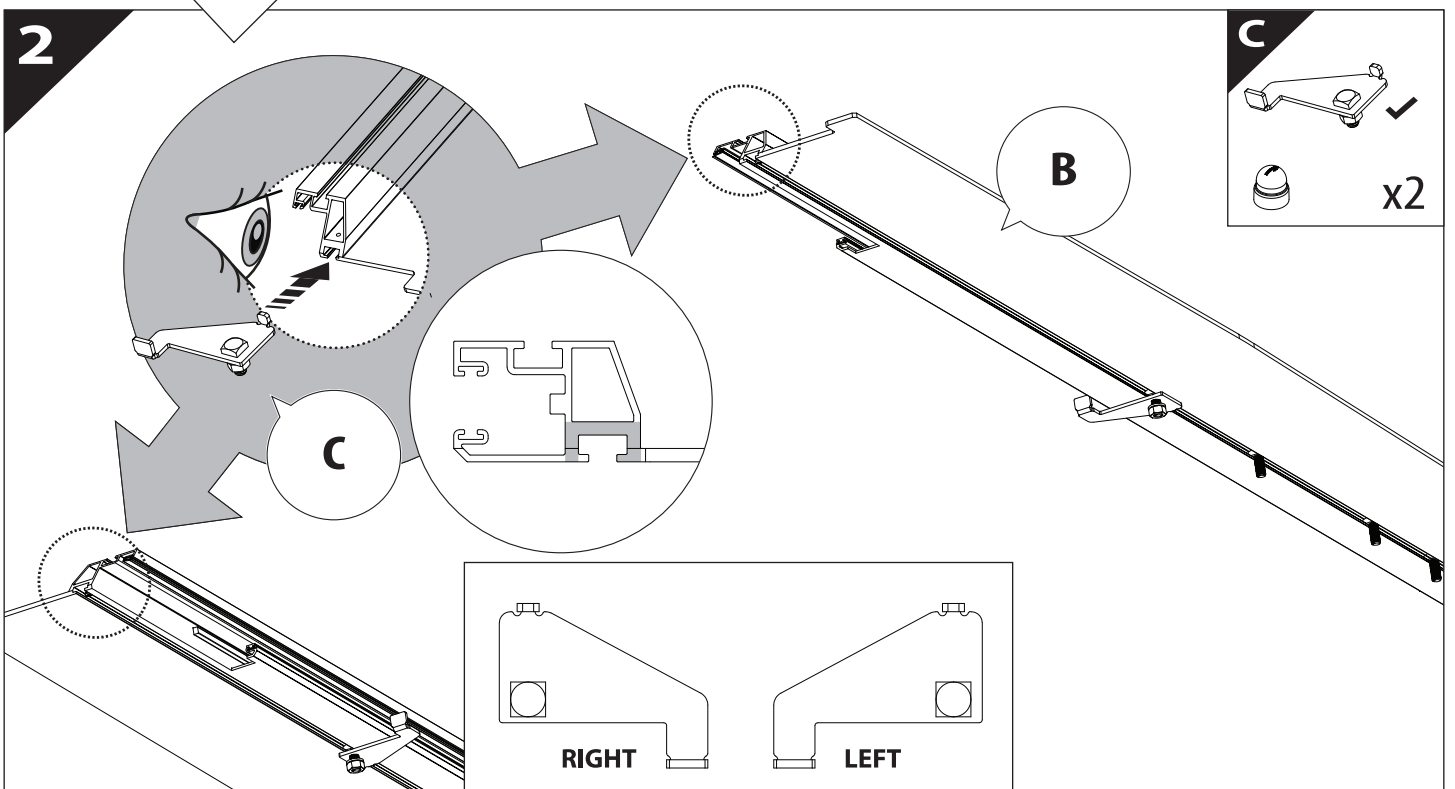
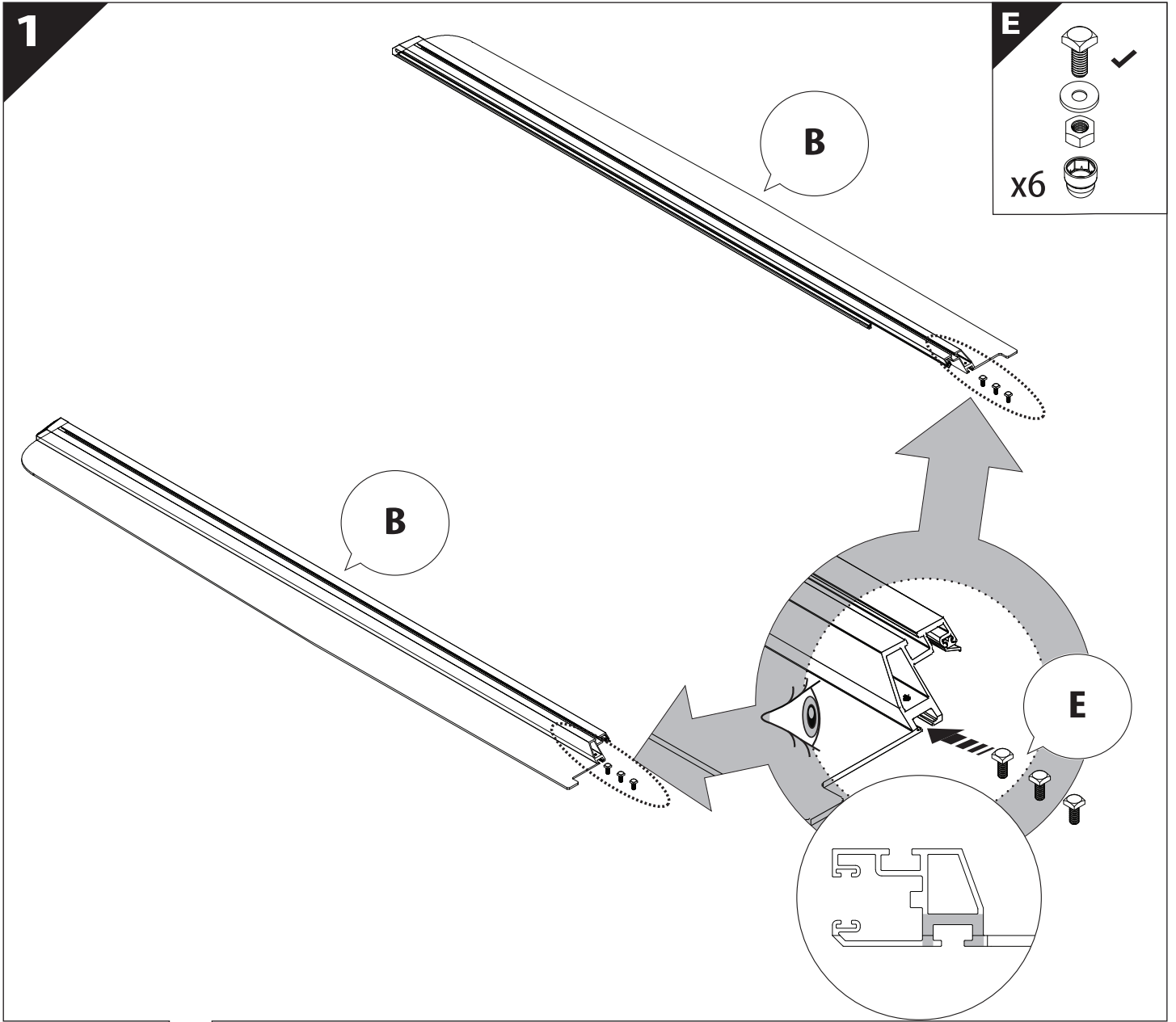


**B**

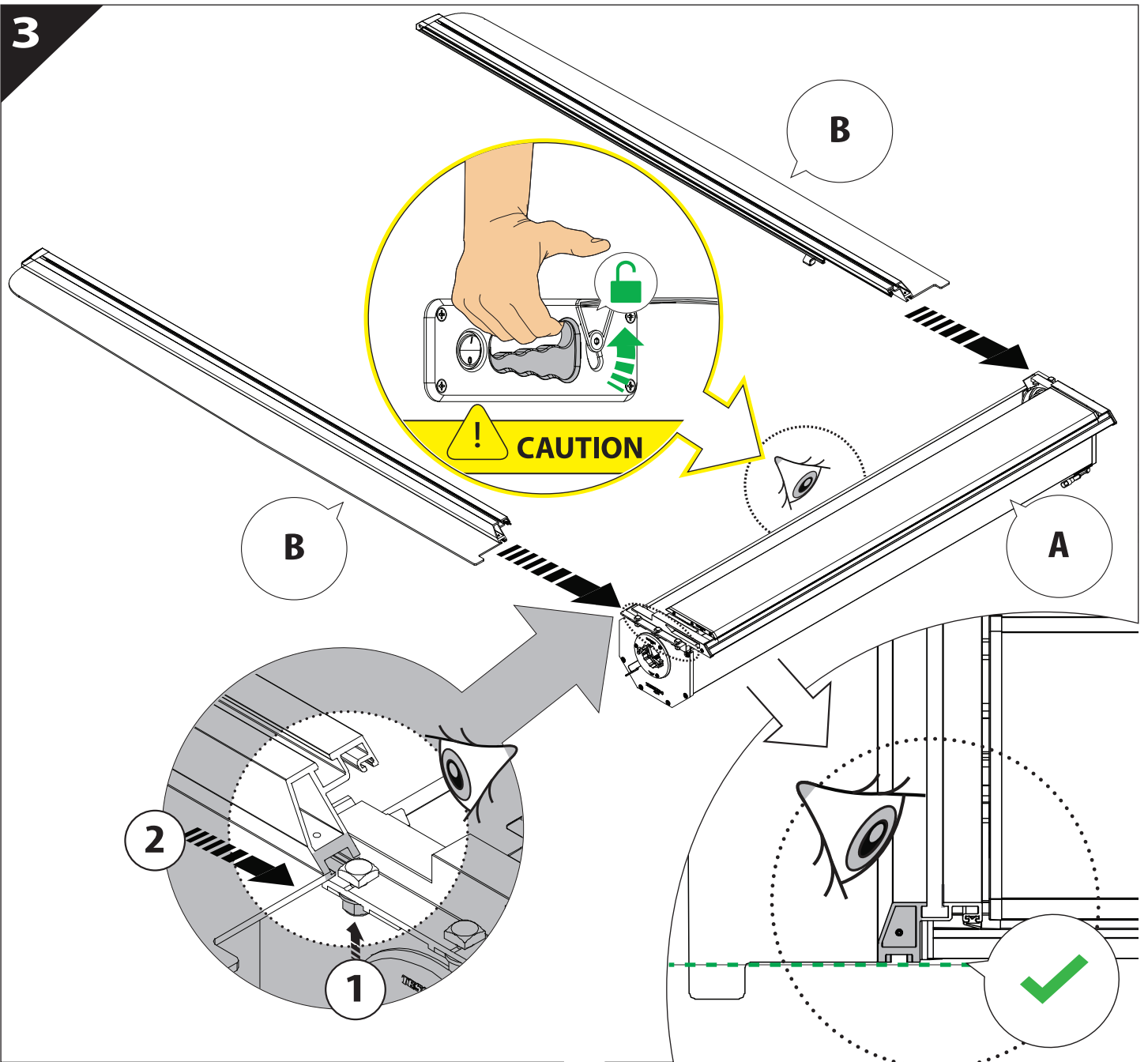
**A**

**KITS**

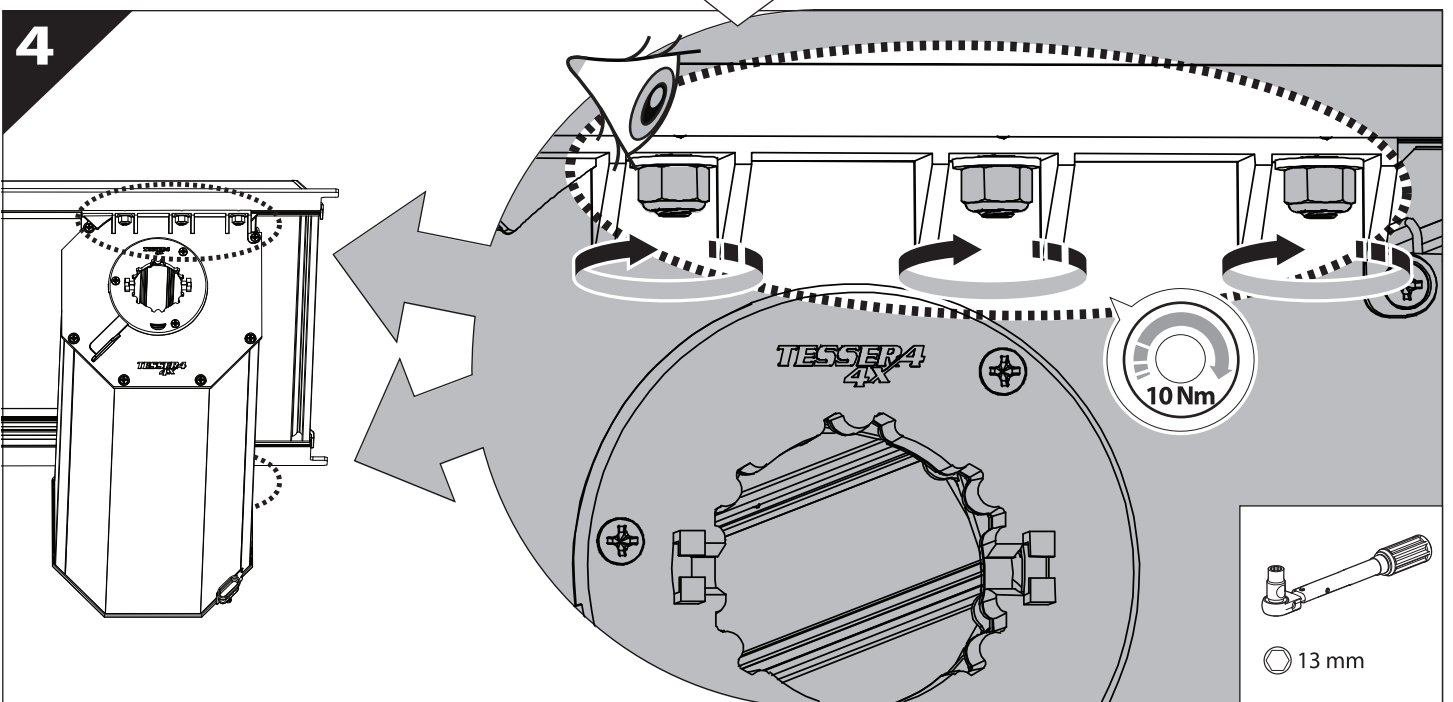
**L**



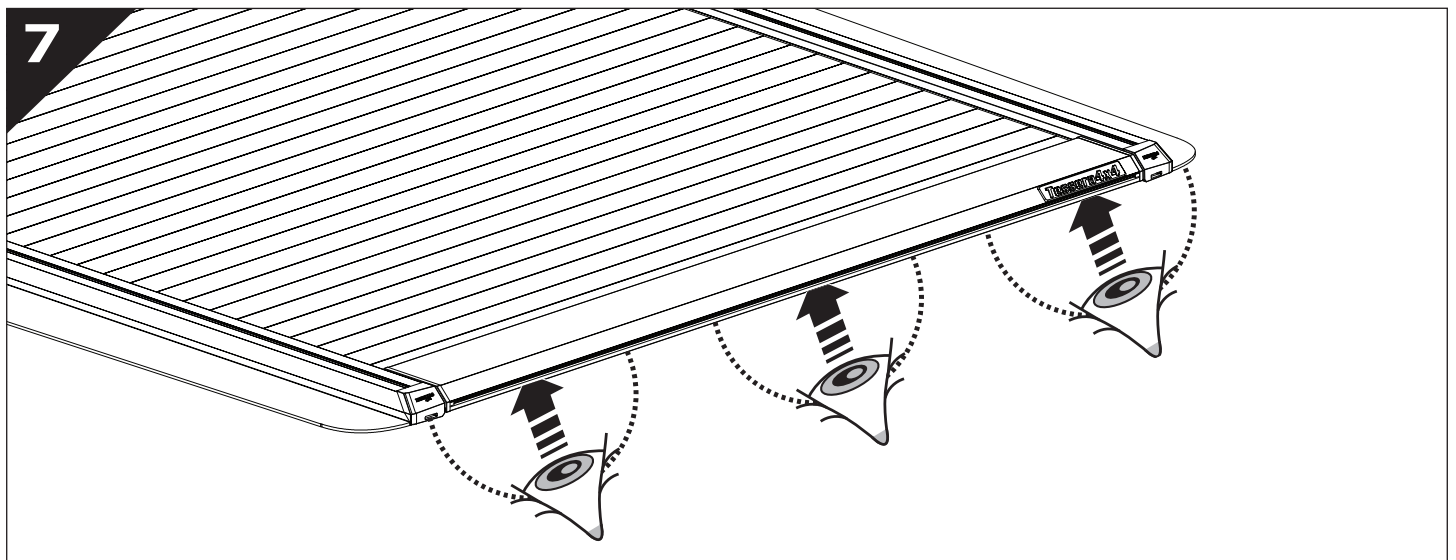
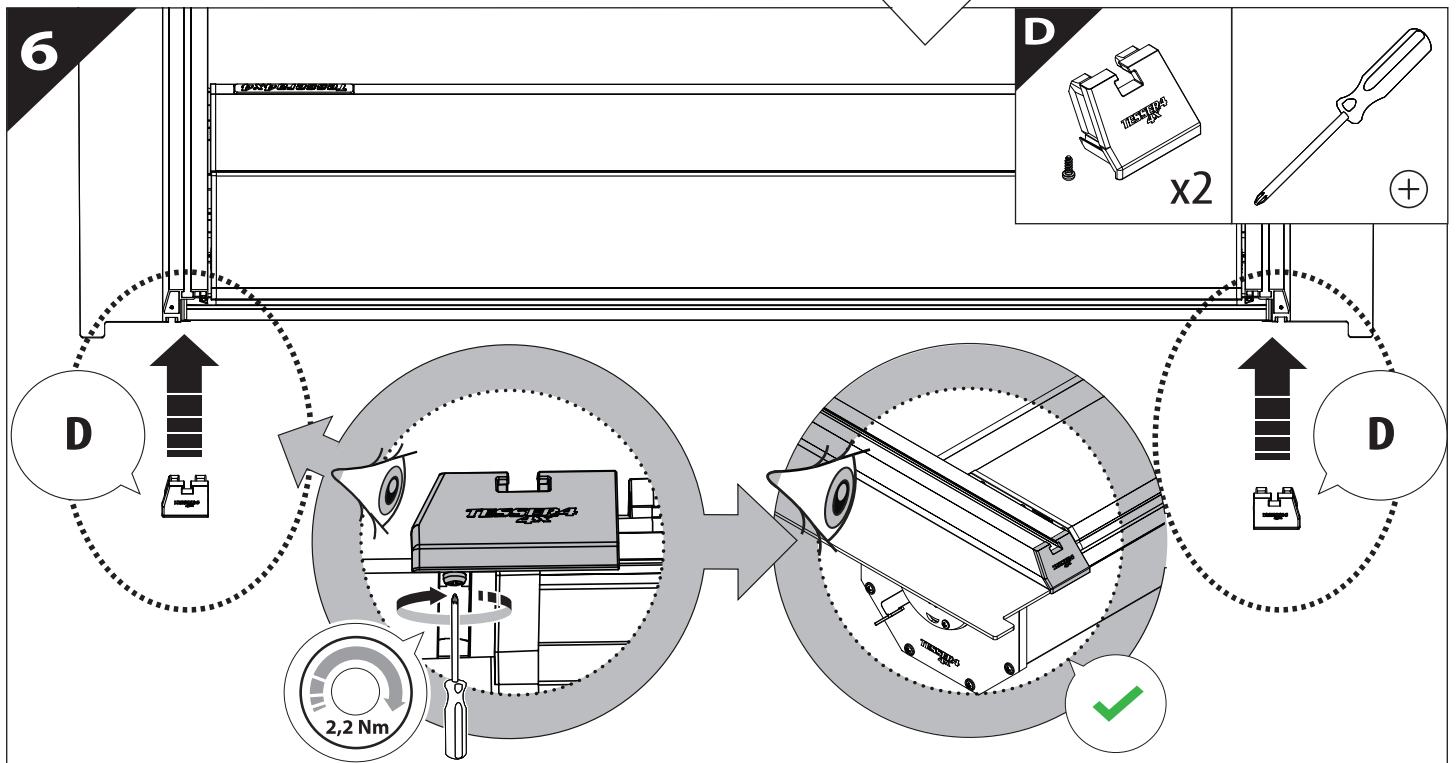
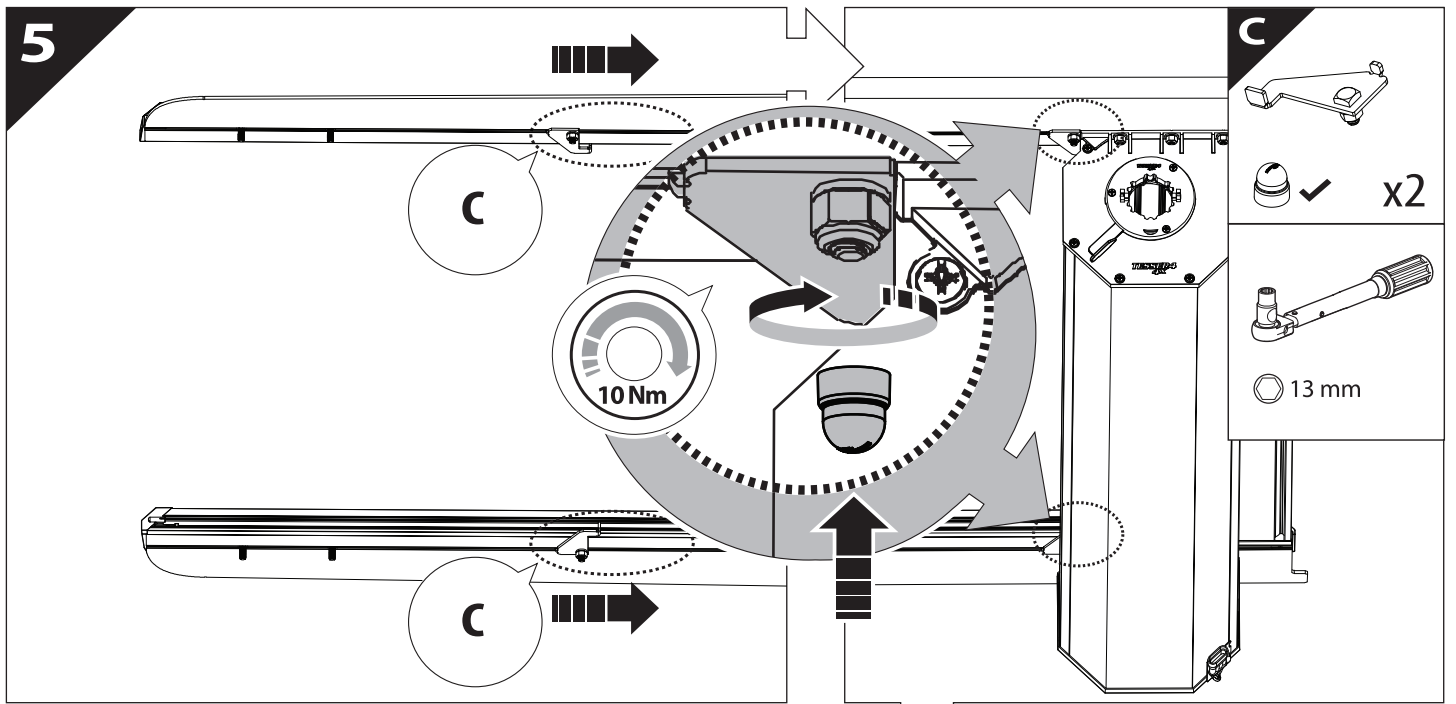
3



4

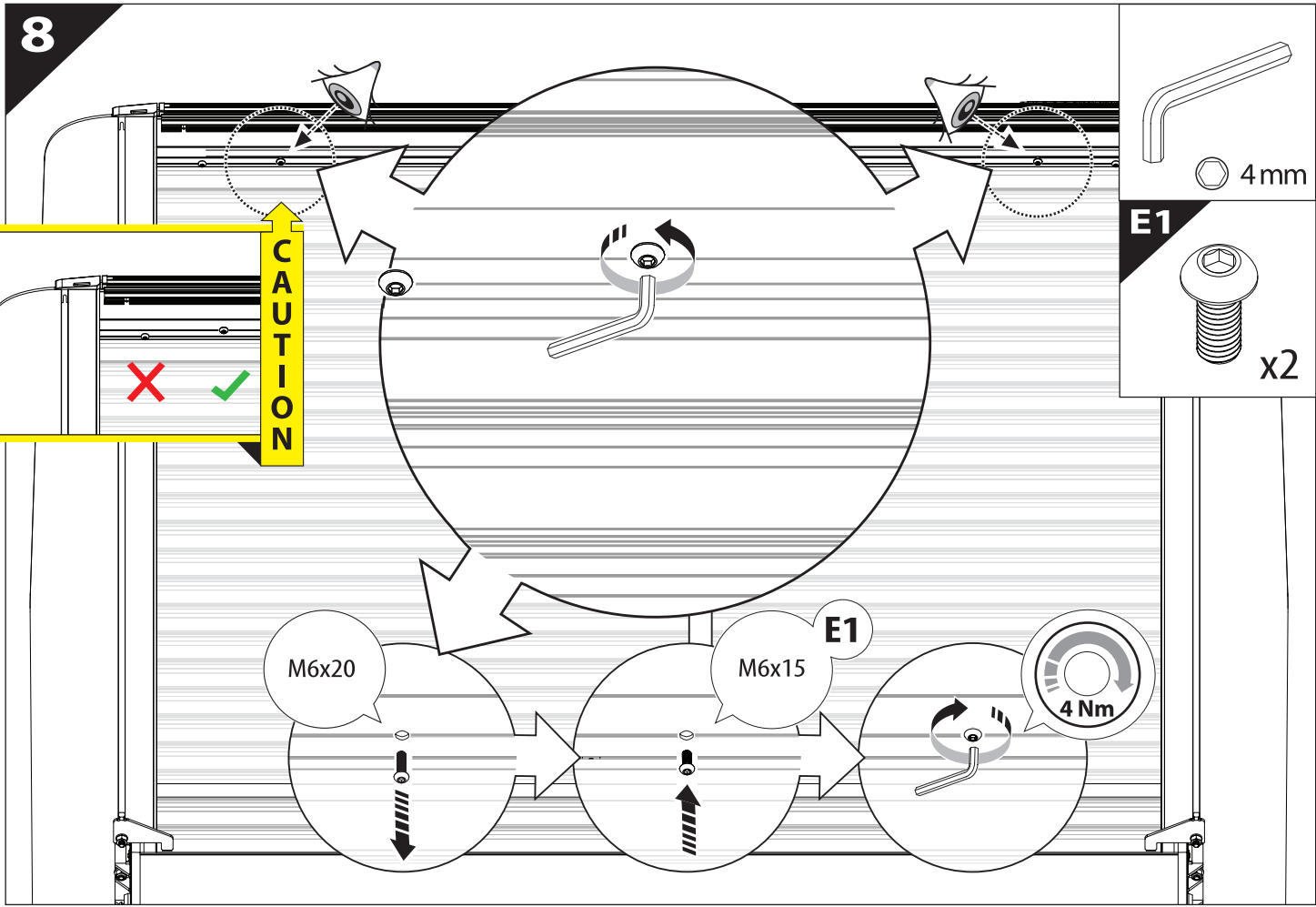






8

**CAUTION**



4mm

**E1**

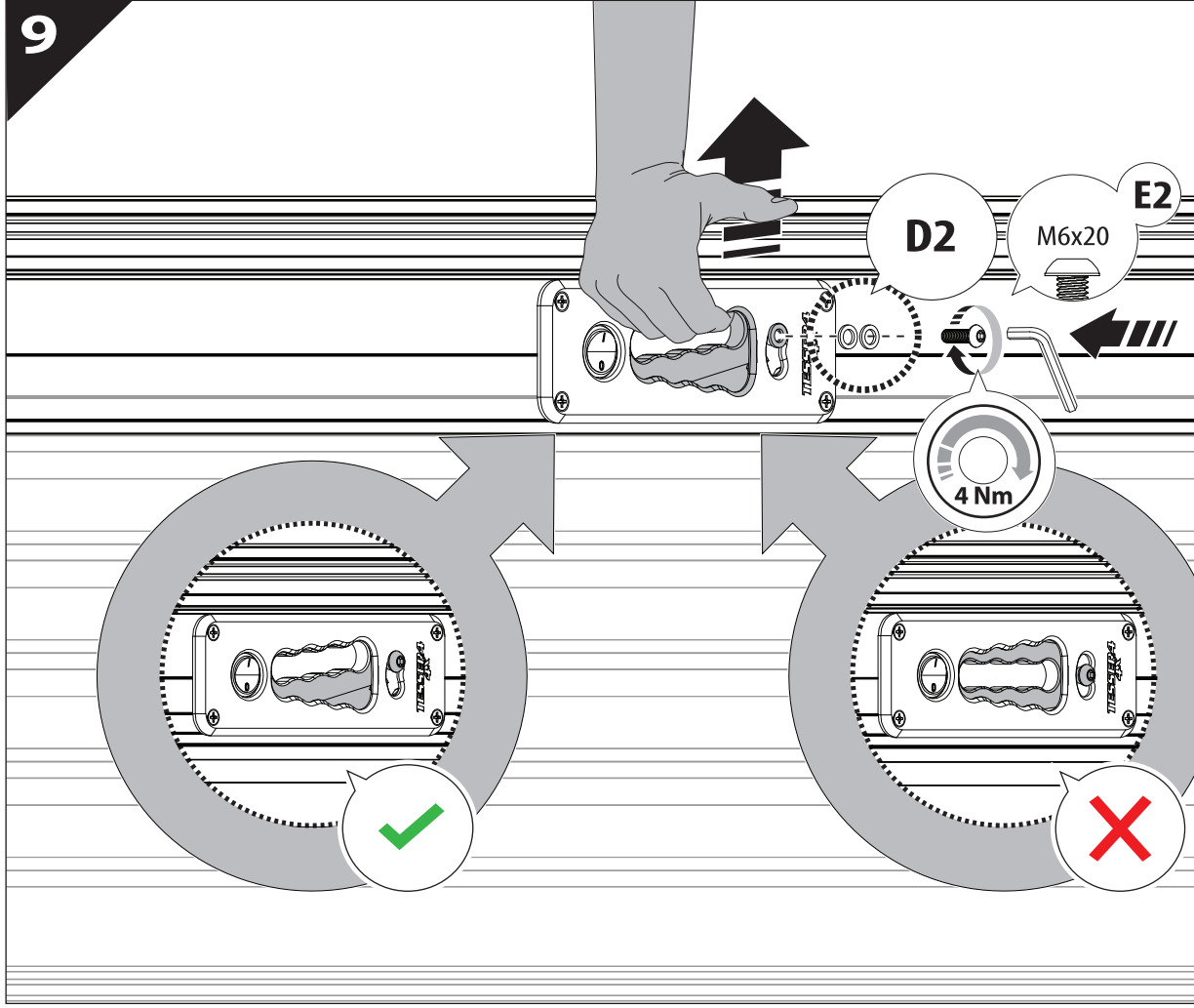
x2

M6x20

M6x15 **E1**

4 Nm

9



**E2**

x1

**D2**

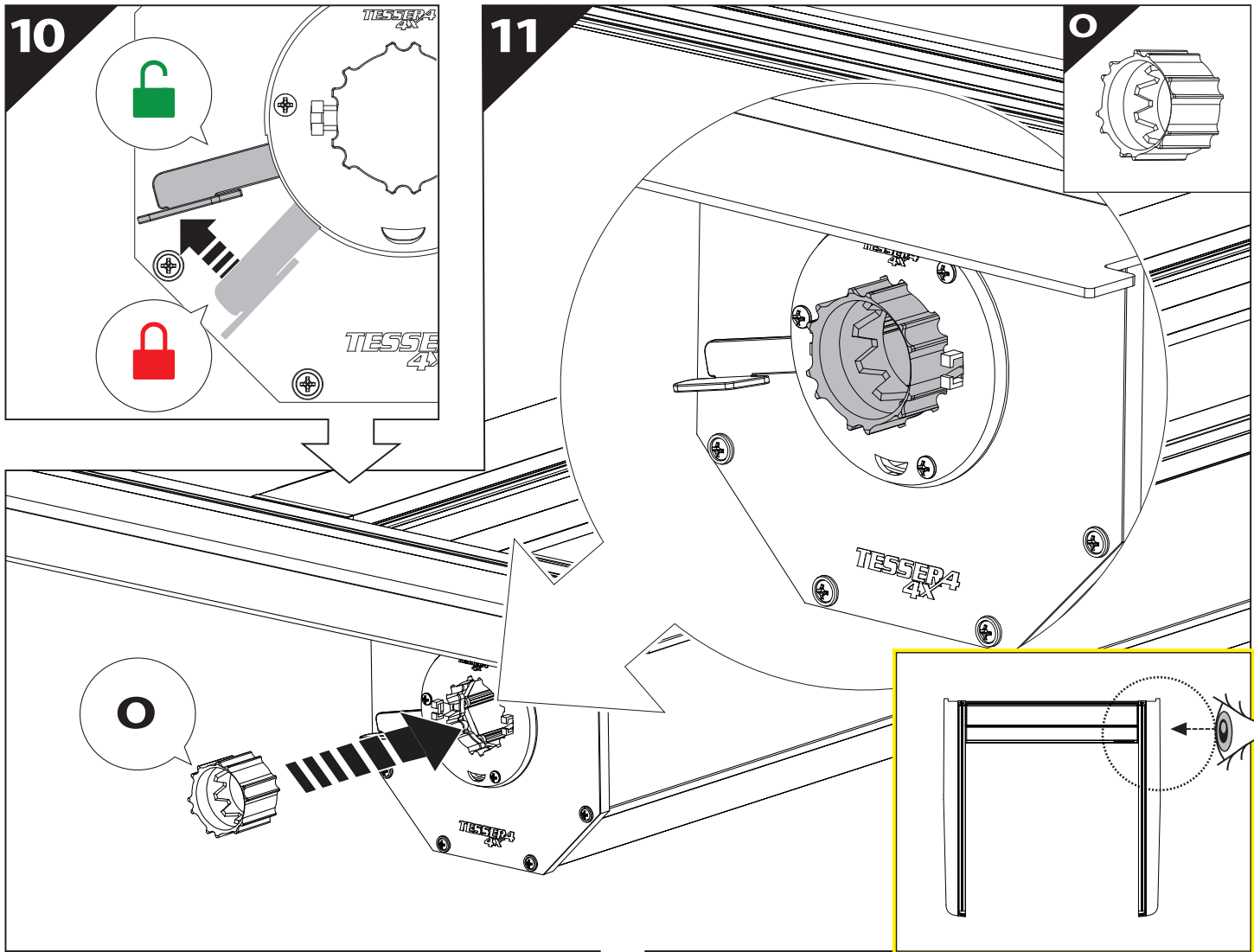
x1

4mm

**D2**

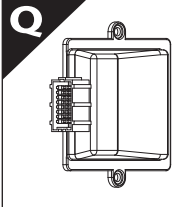
M6x20 **E2**

4 Nm

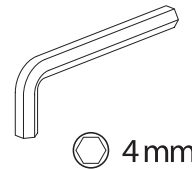




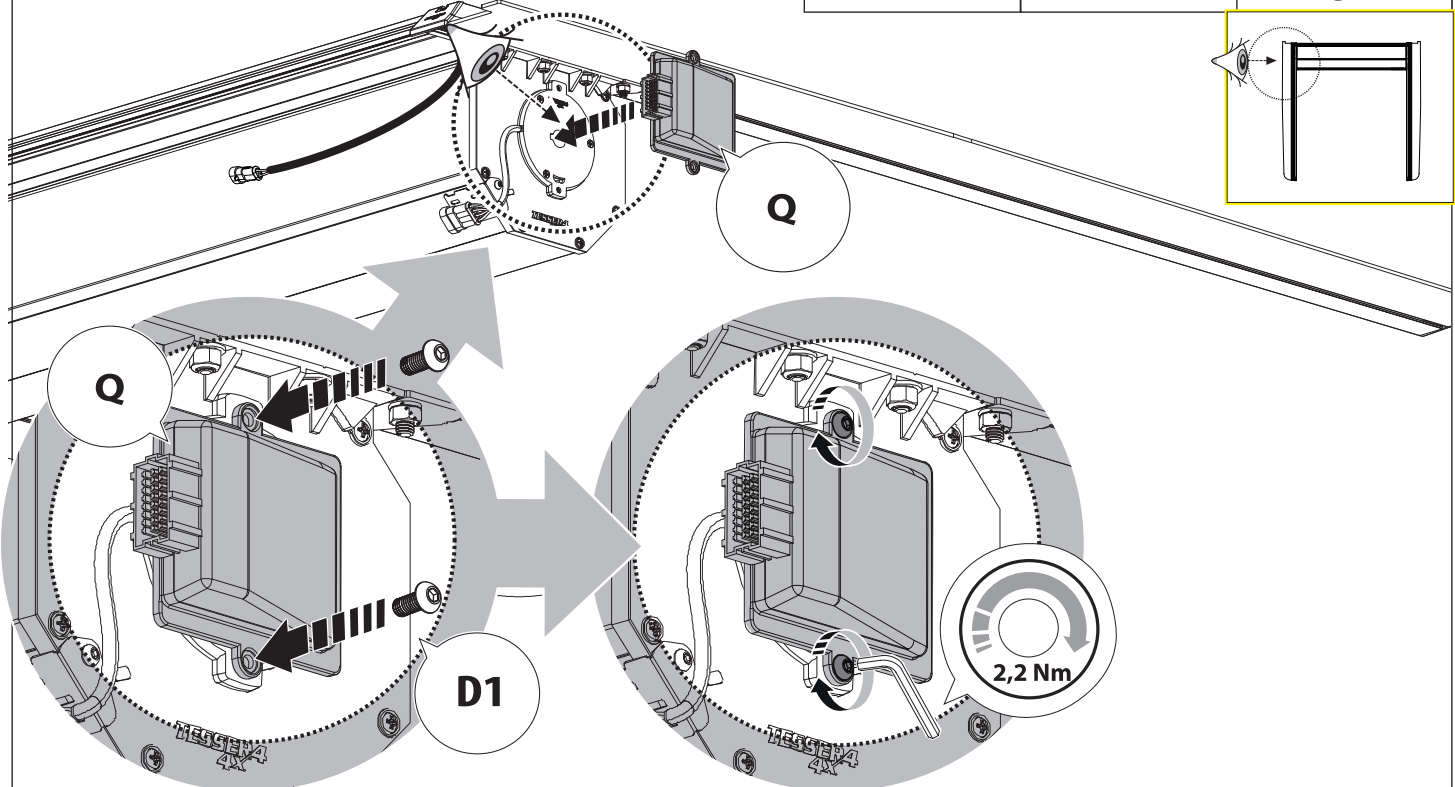
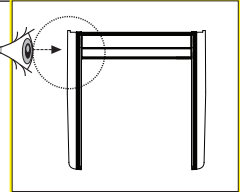
16



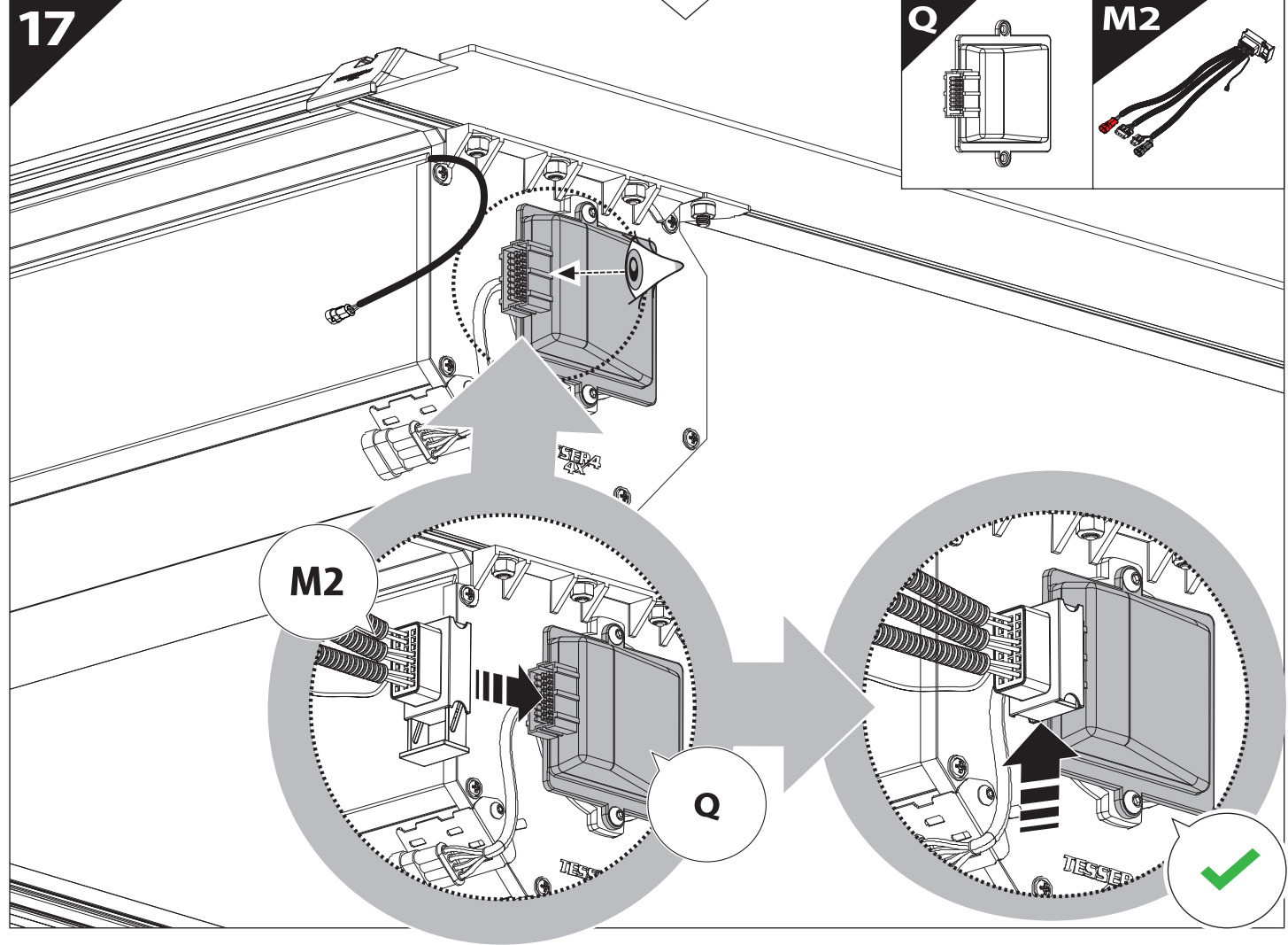
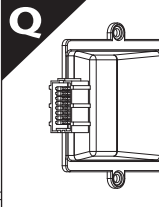
x2



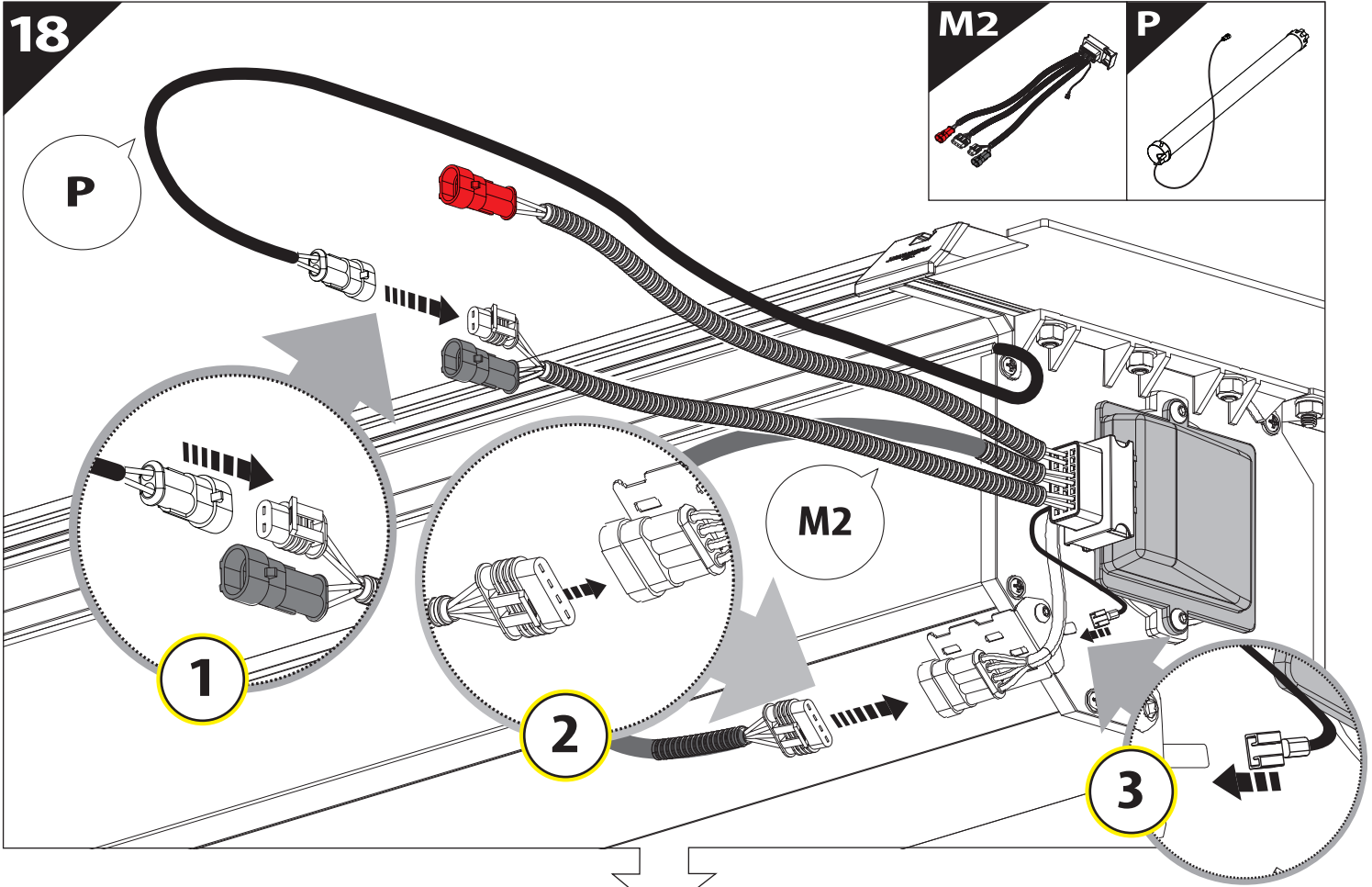
4mm



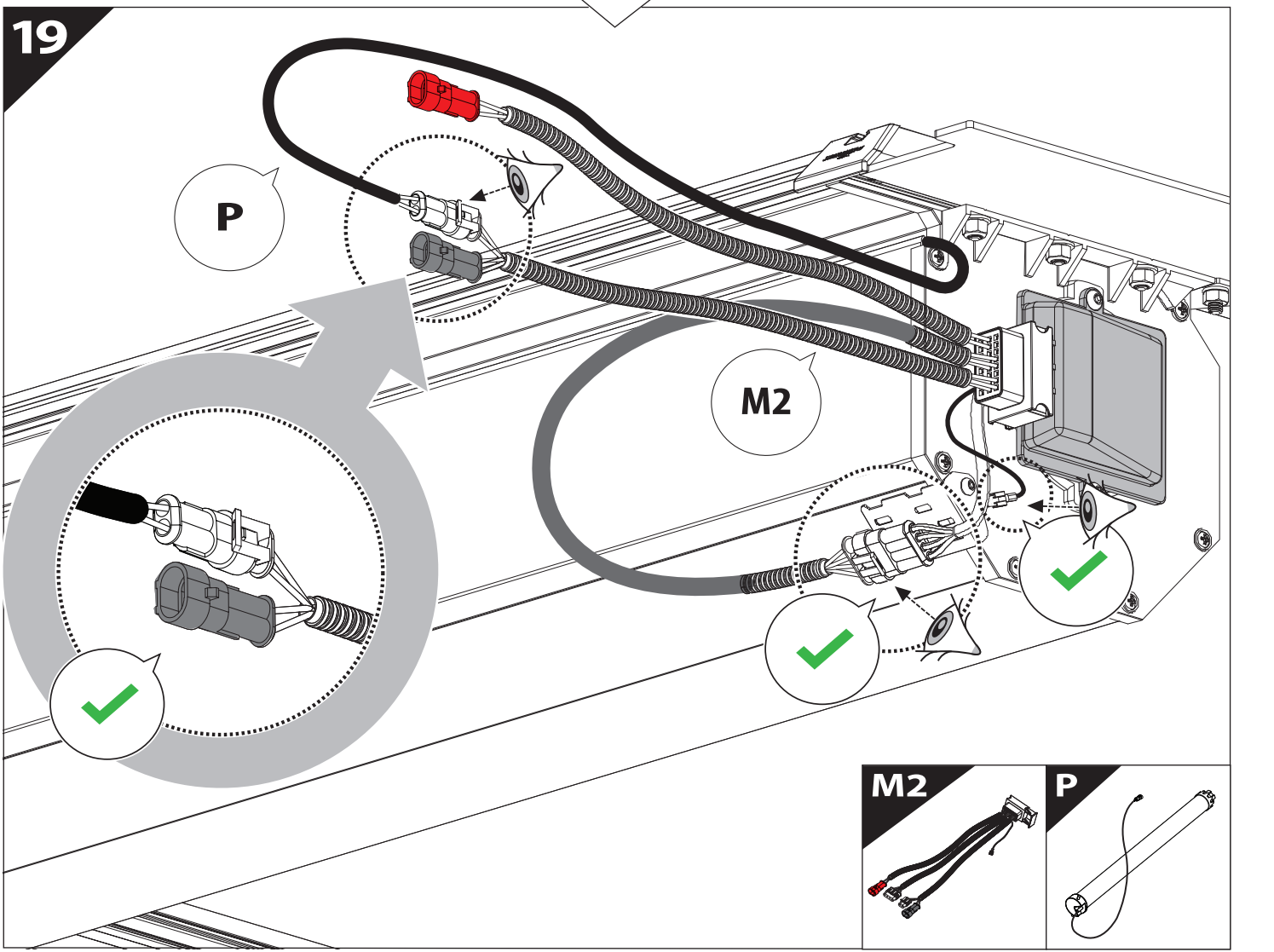
17



18

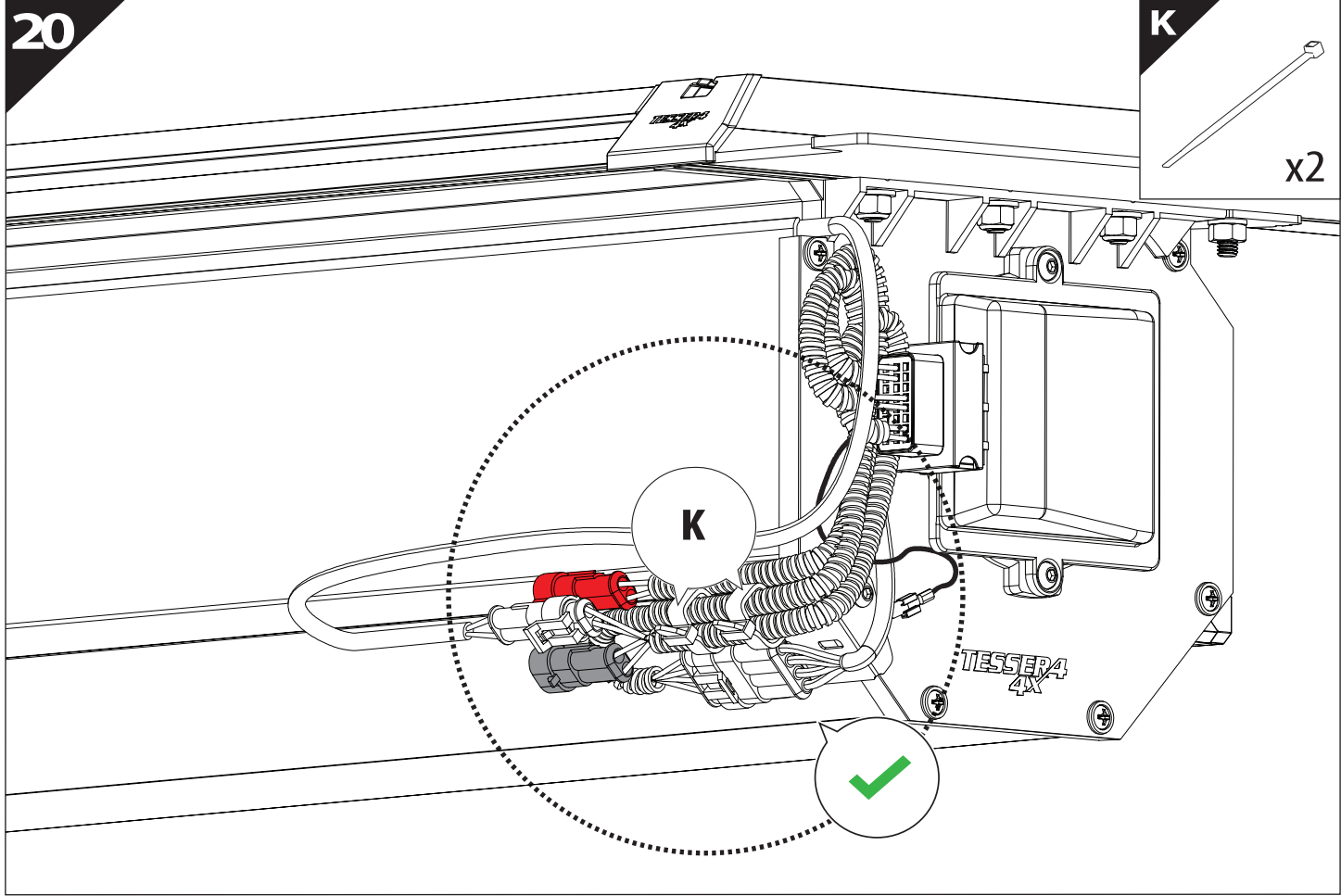


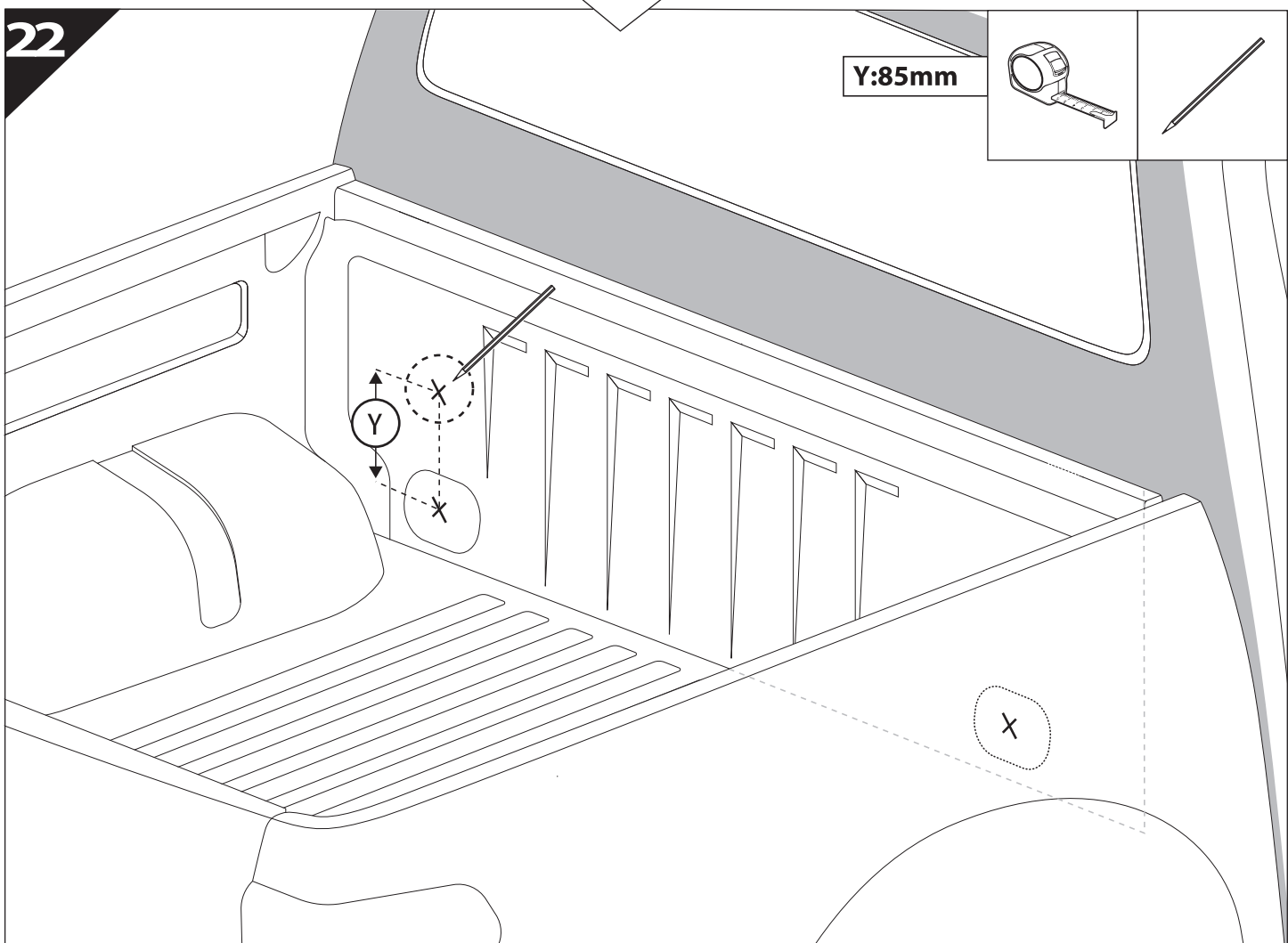
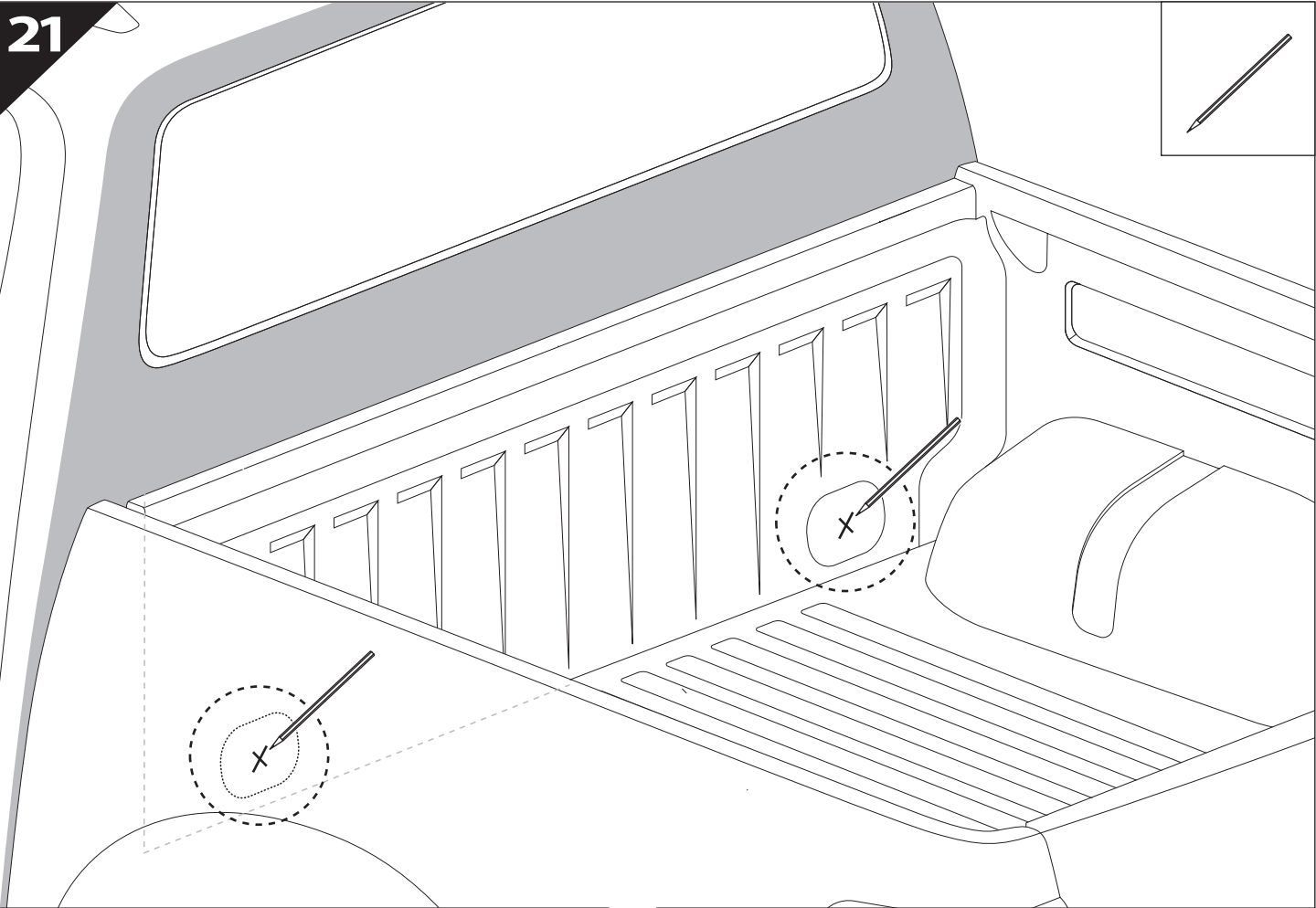
19



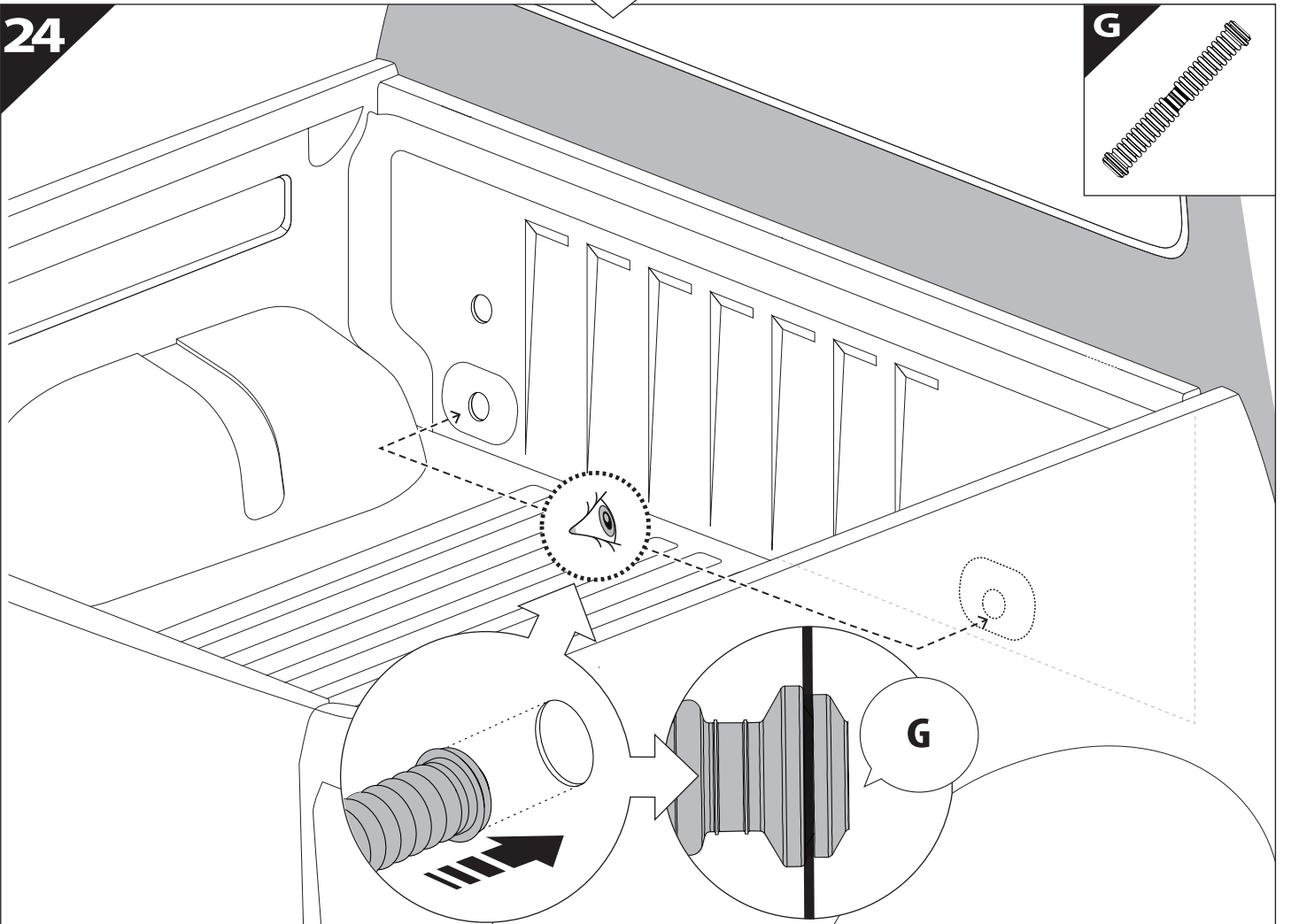
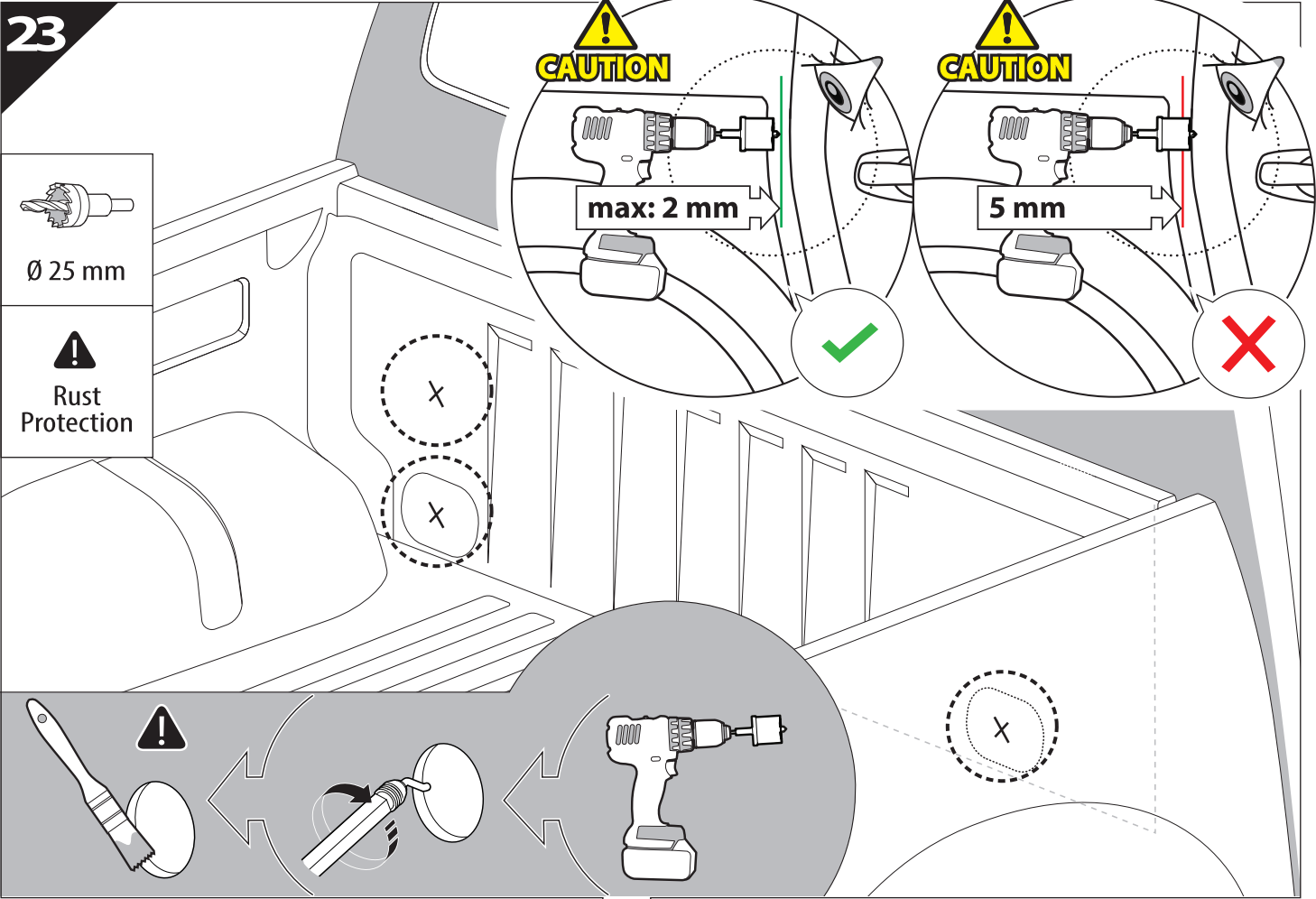
20

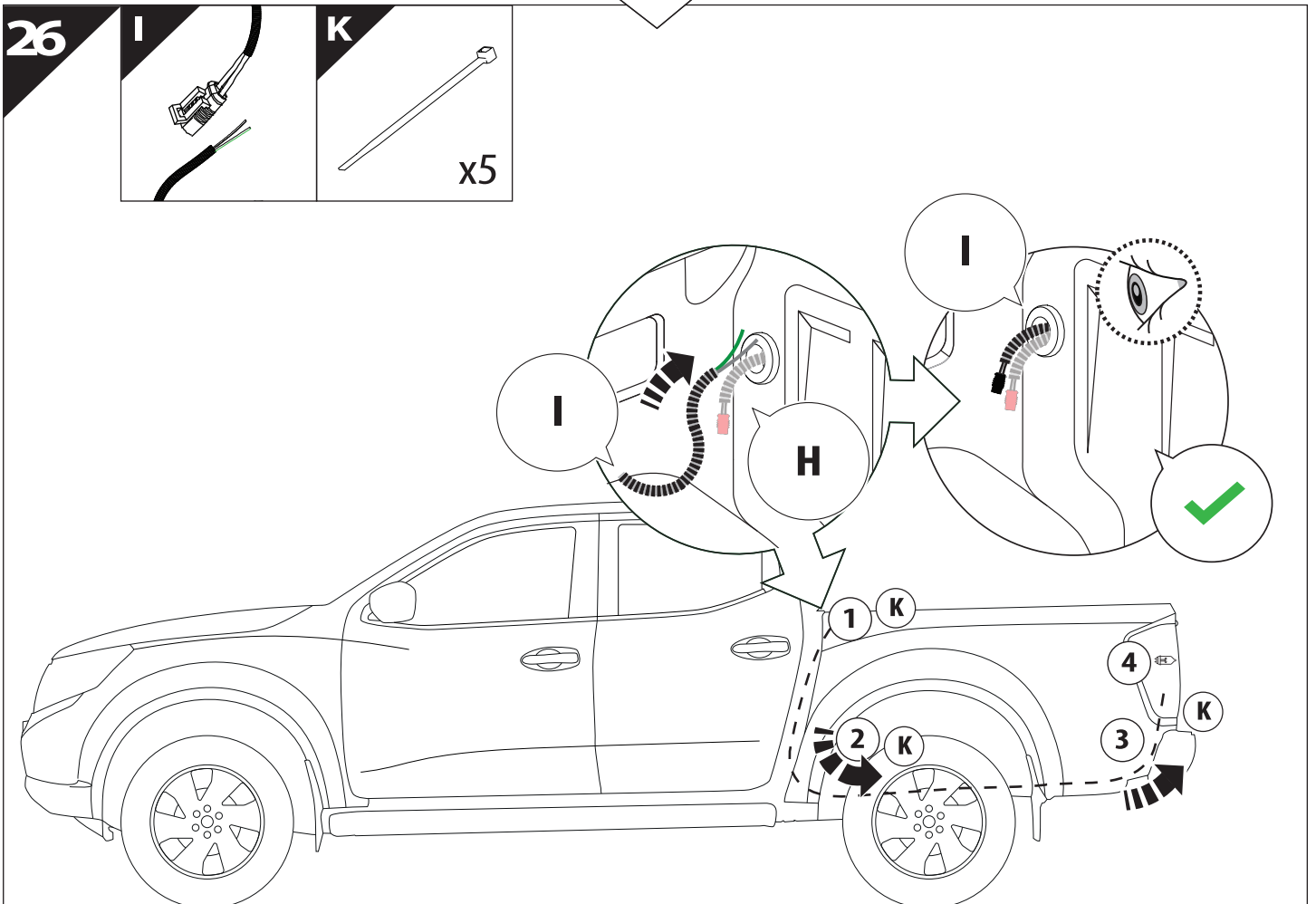
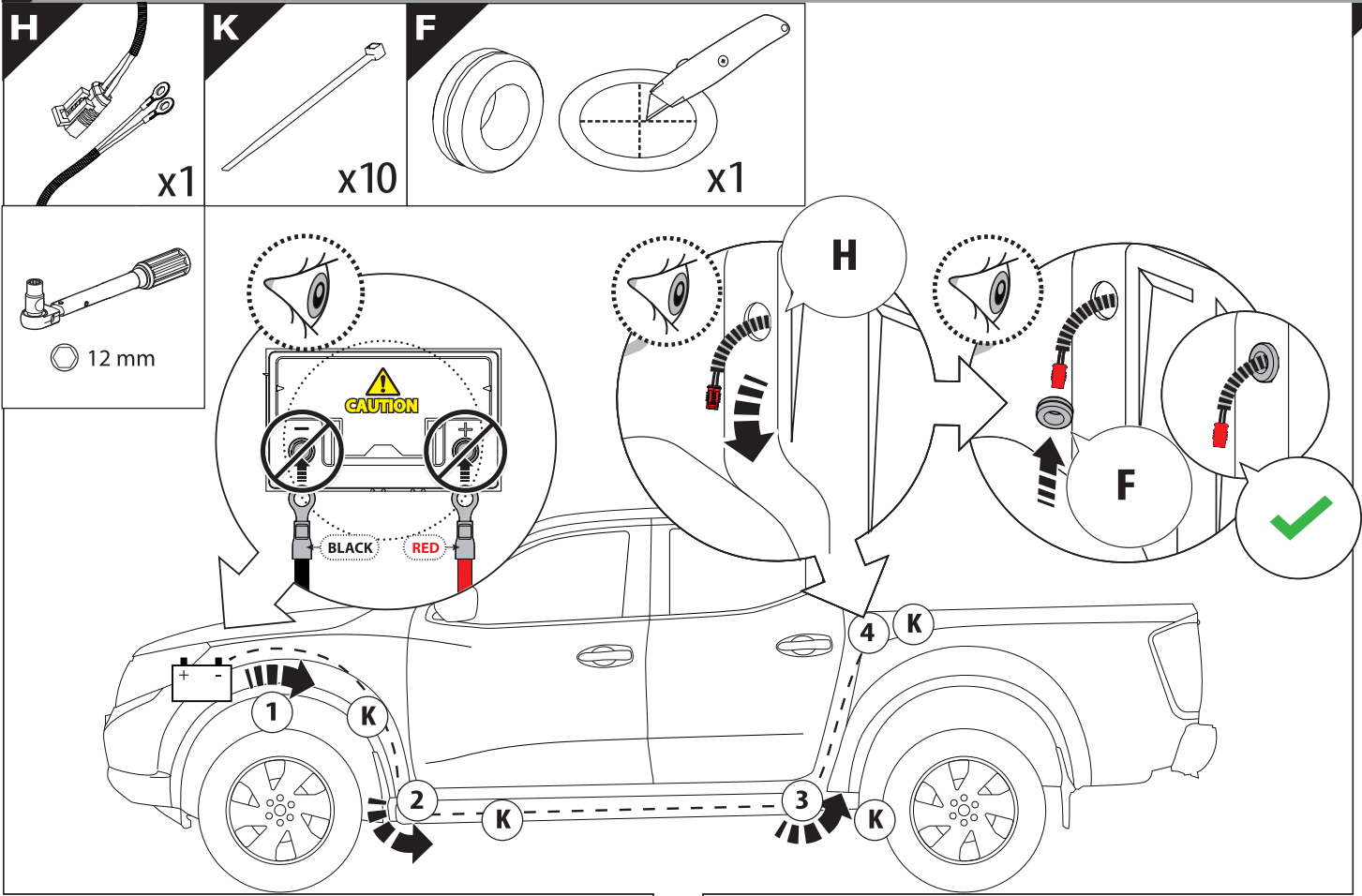
K



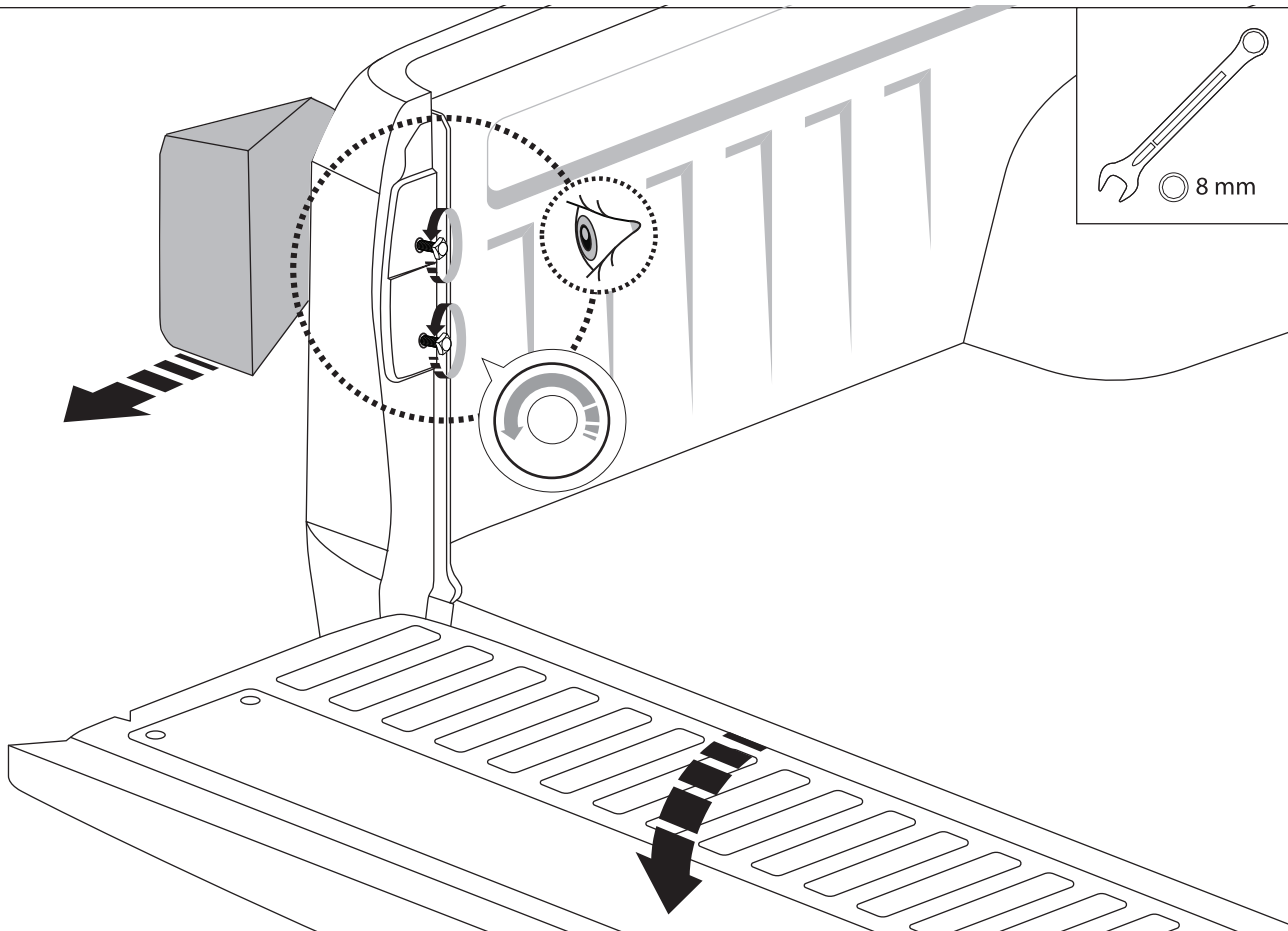




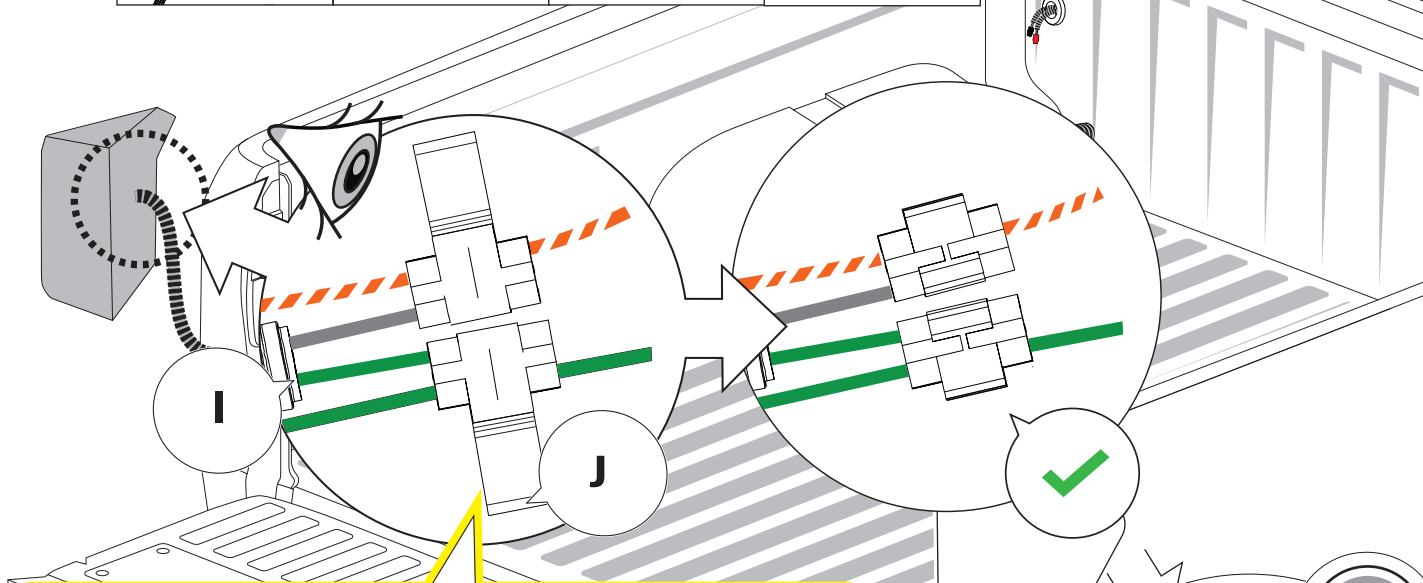
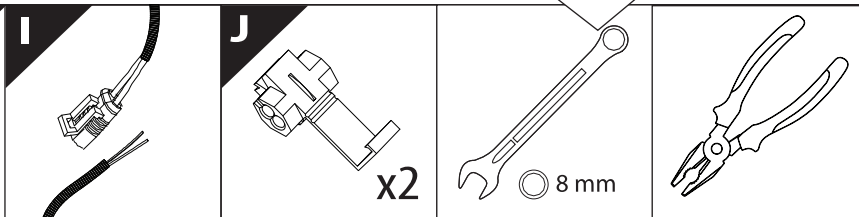




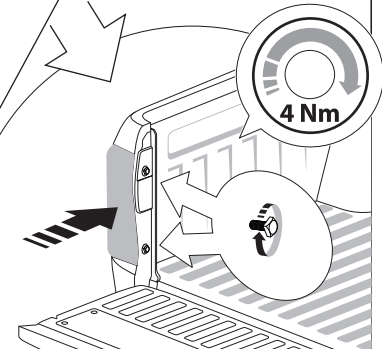
27



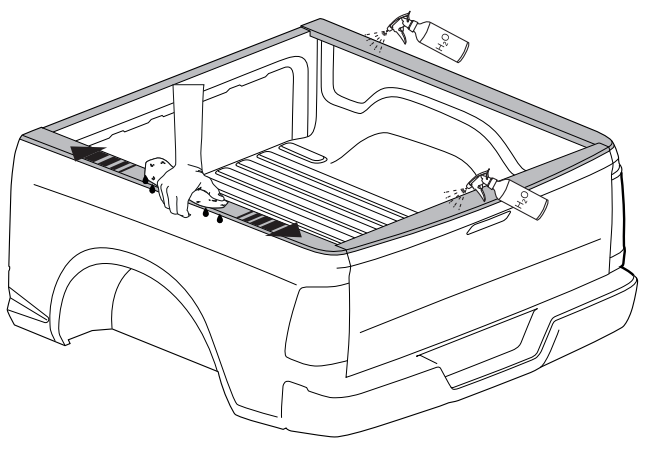
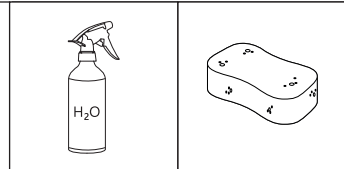
28



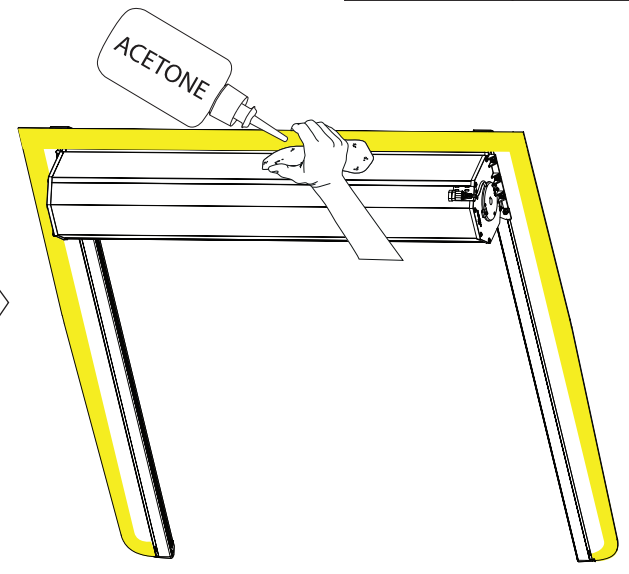
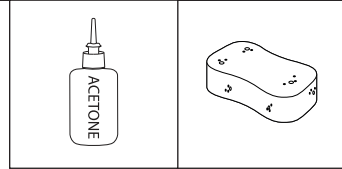
MODEL YEAR	LIGHTS	CAR	TESSERA ROLL+
2020+	BEAM		
2020+	STOP		
MODEL YEAR	LIGHTS	CAR	TESSERA ROLL+
2022+	BEAM		
2022+	STOP		



29

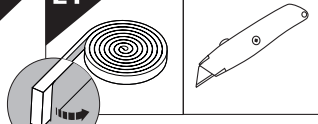


29.1



30

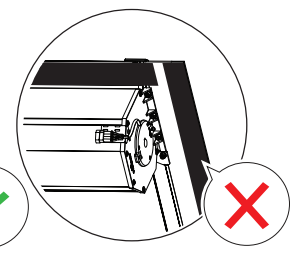
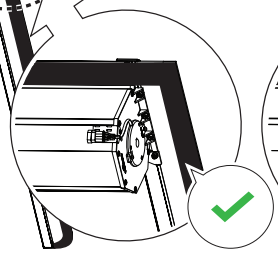
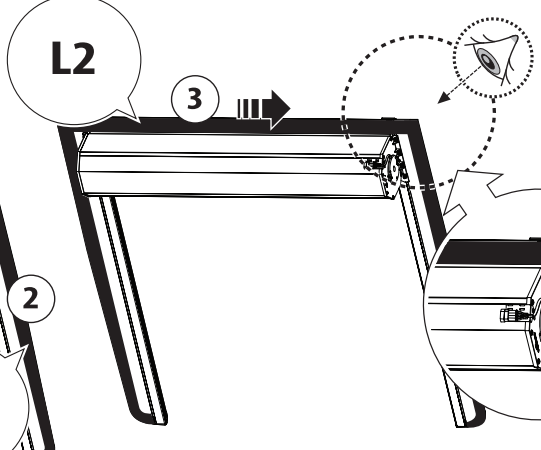
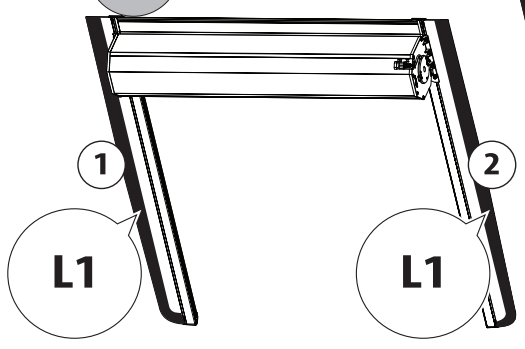
L1



L2

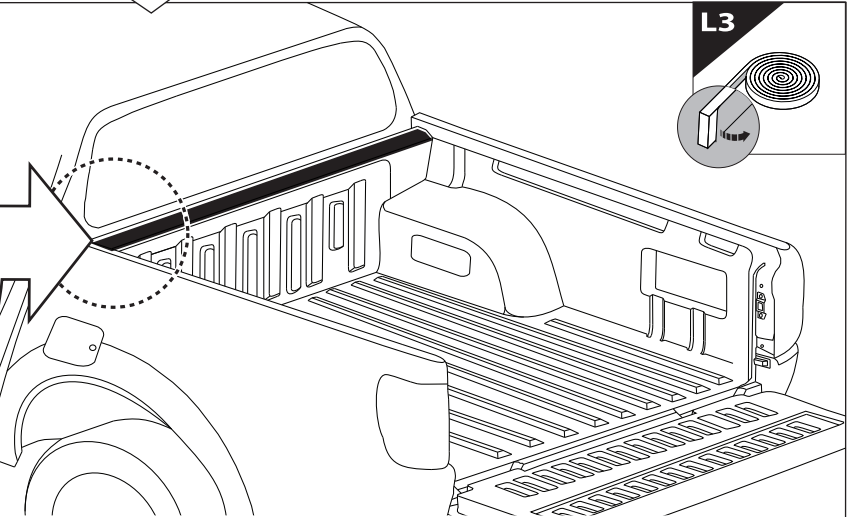
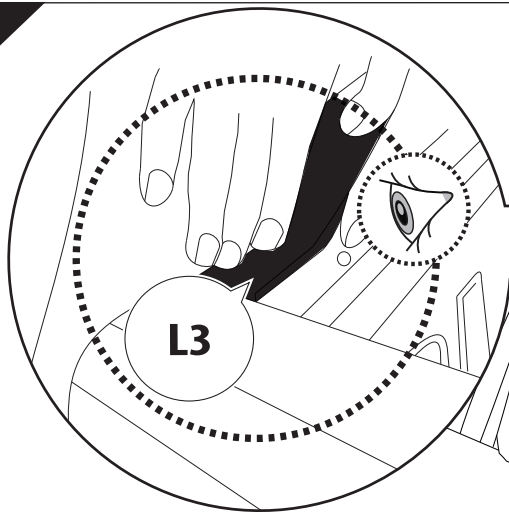
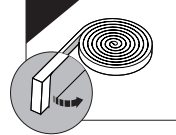
3

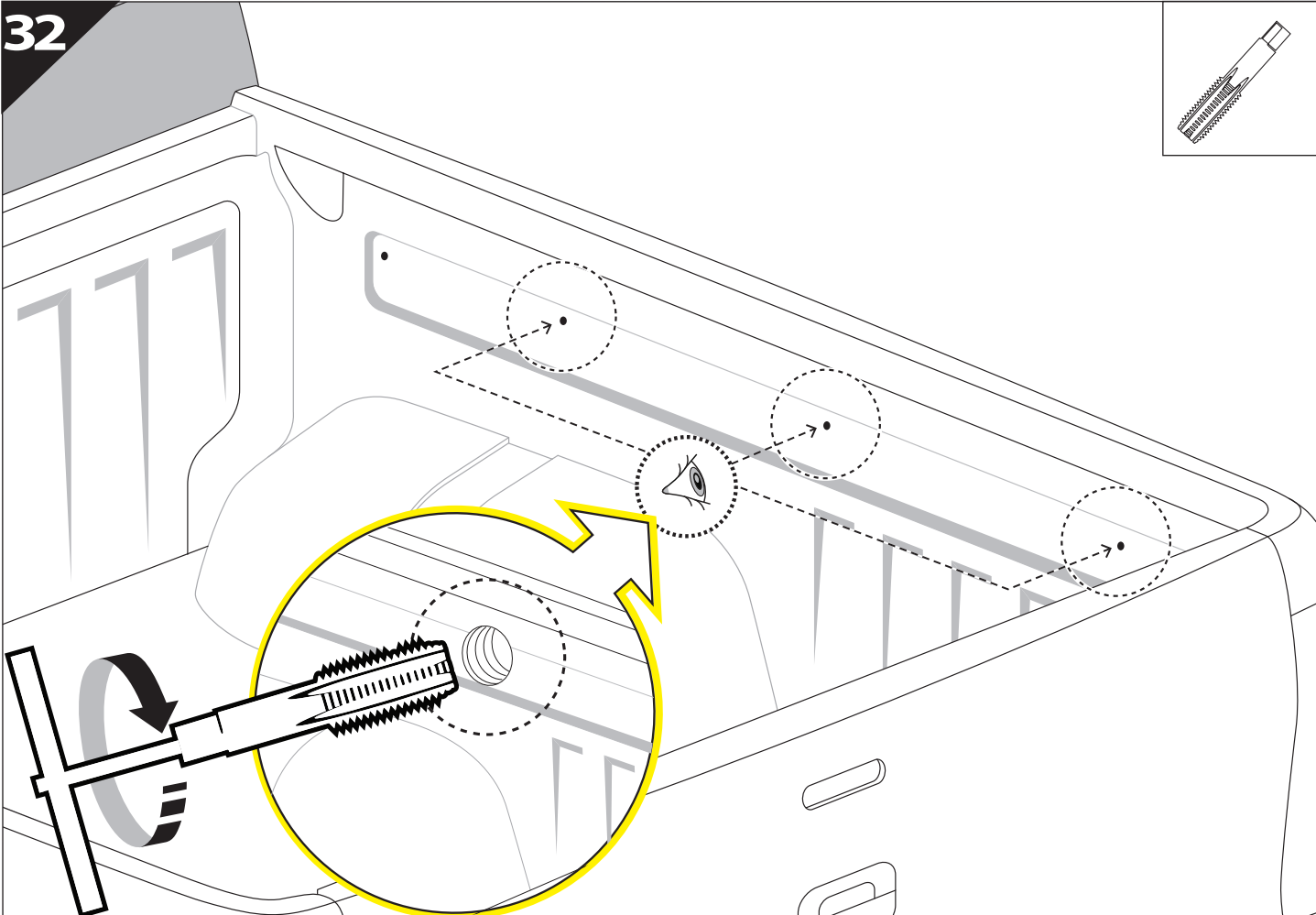
L2

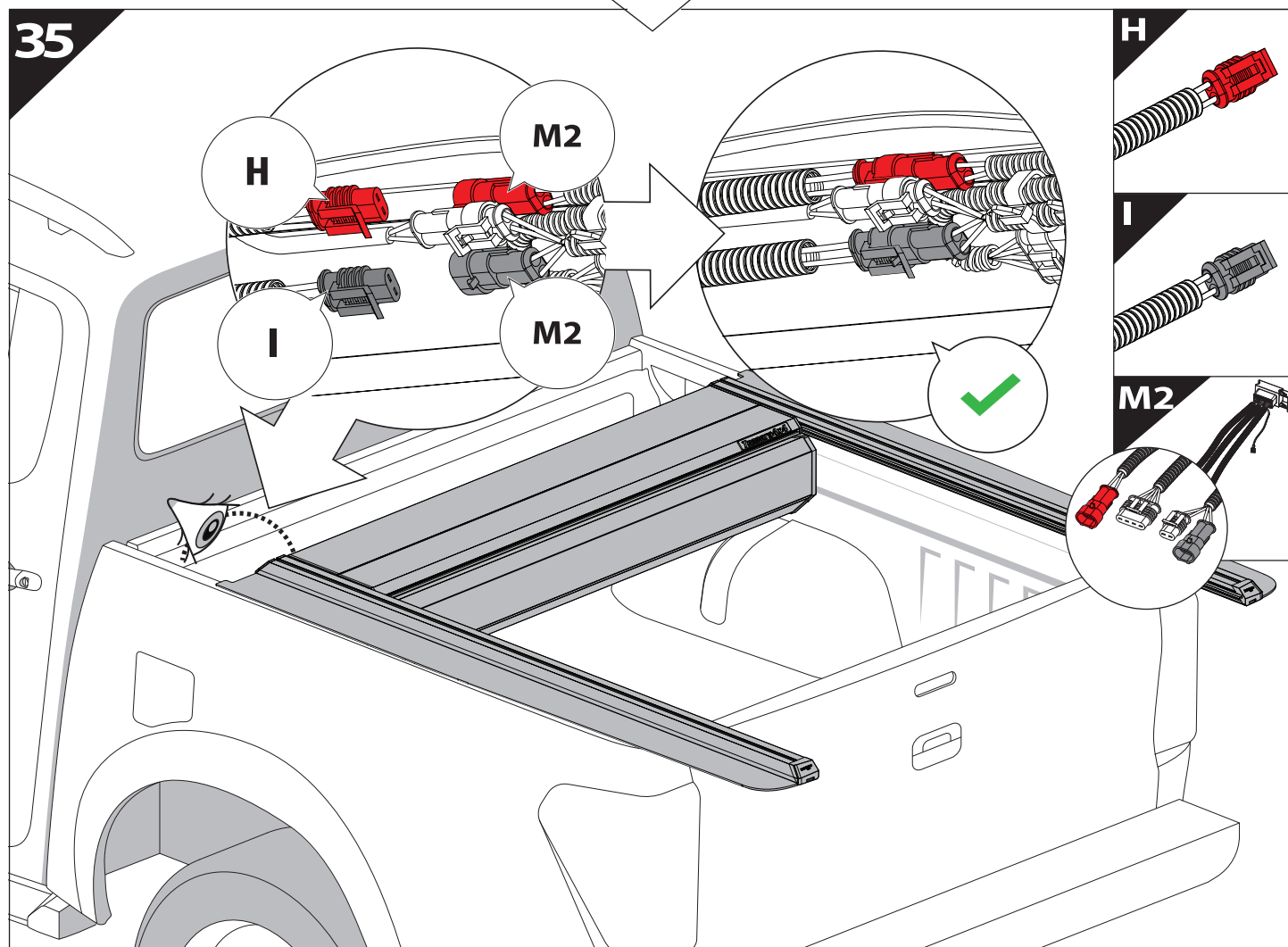
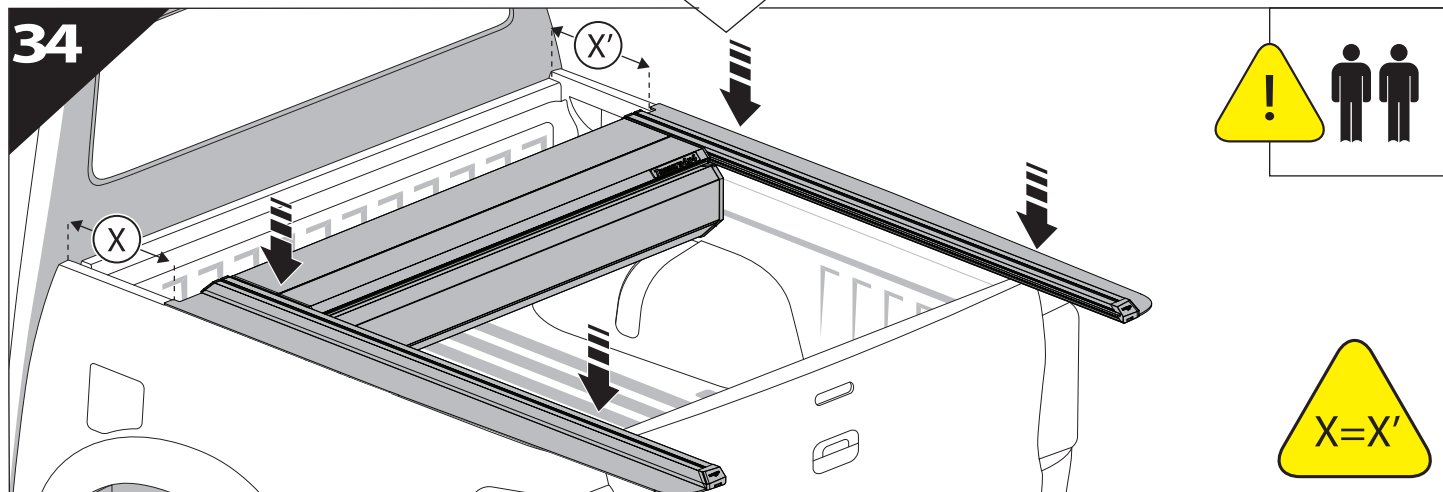
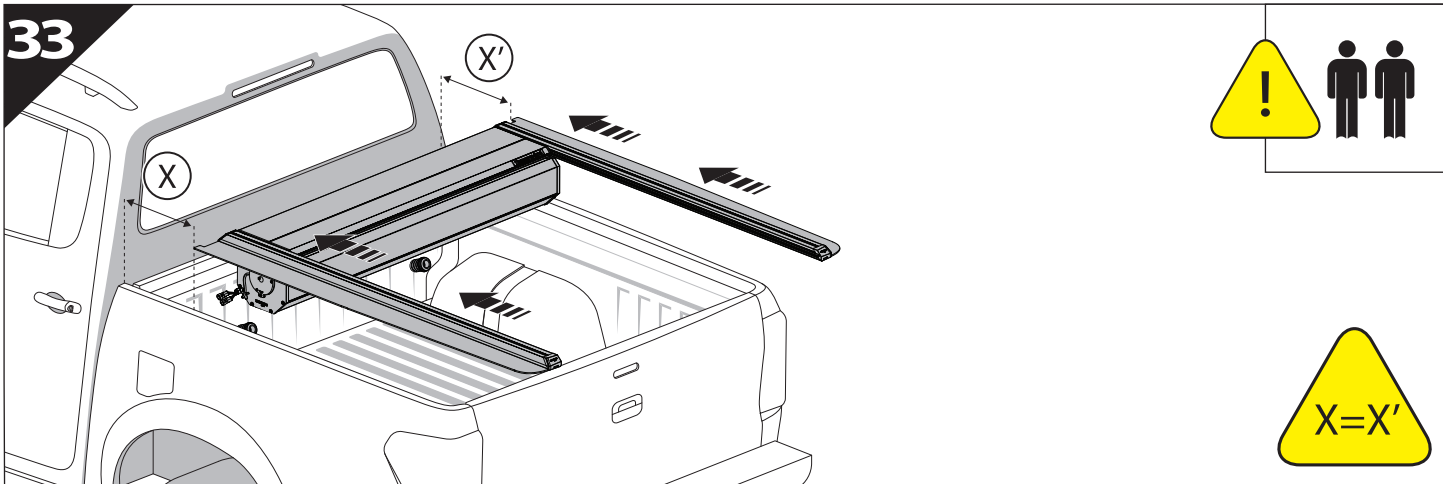


31

L3

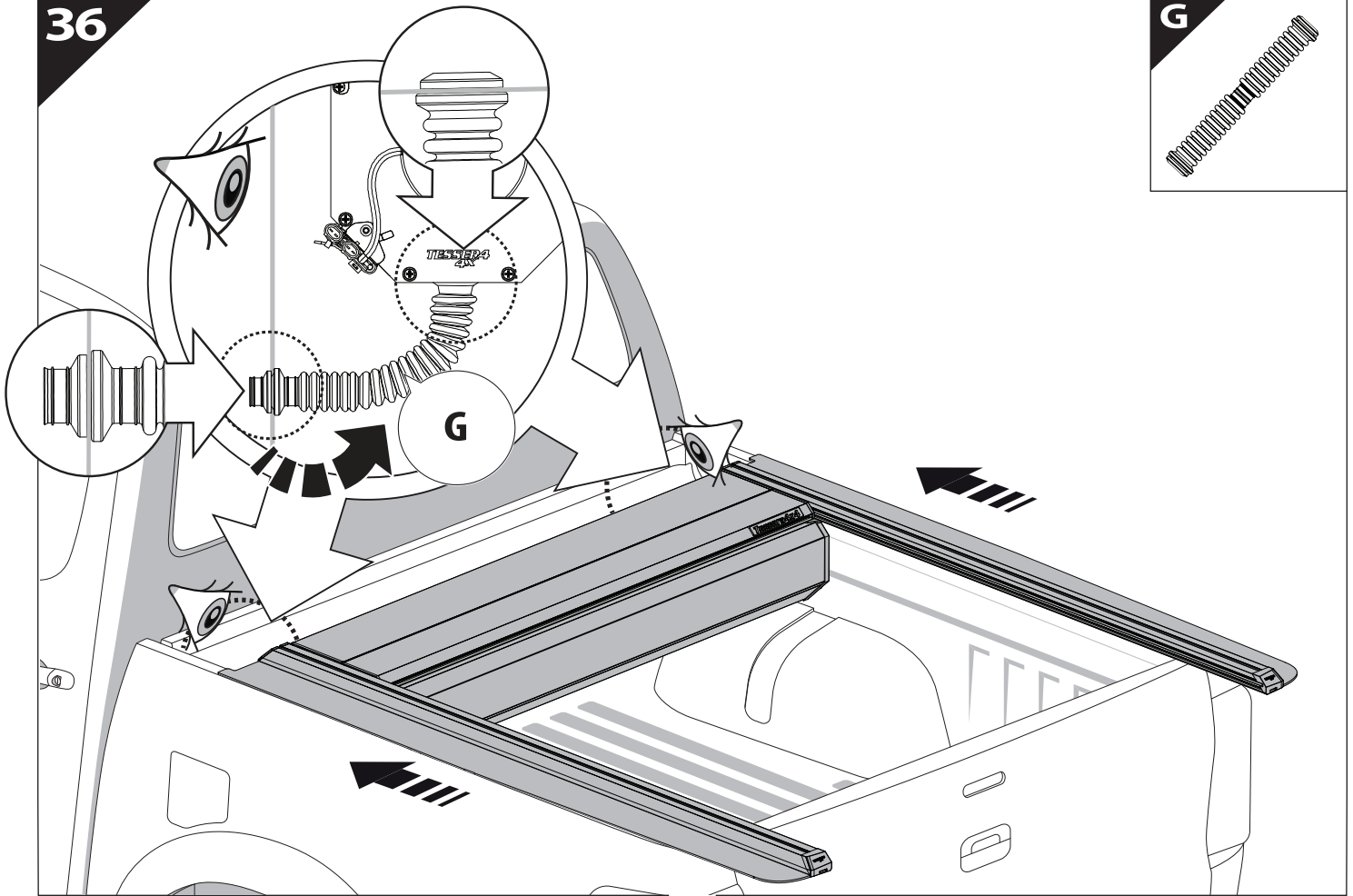




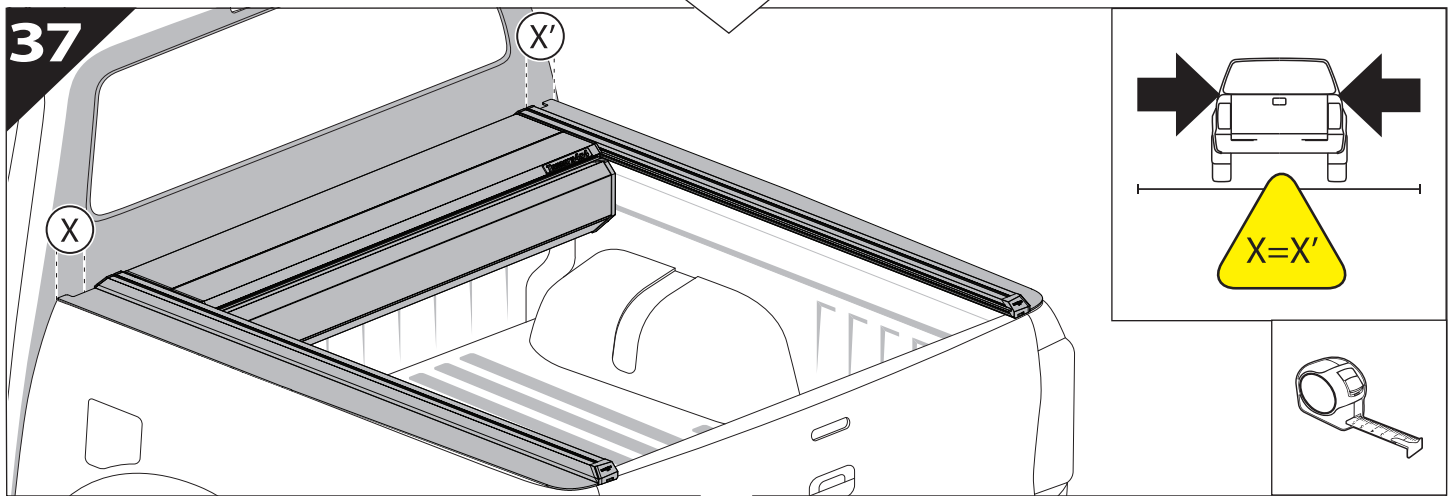


36

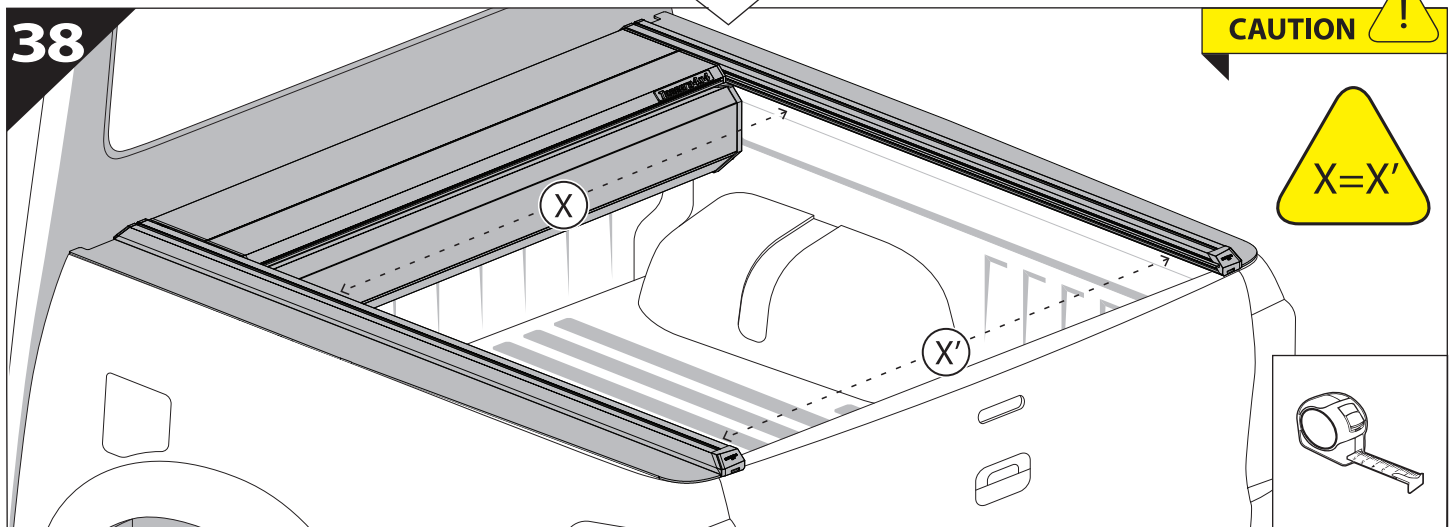
G



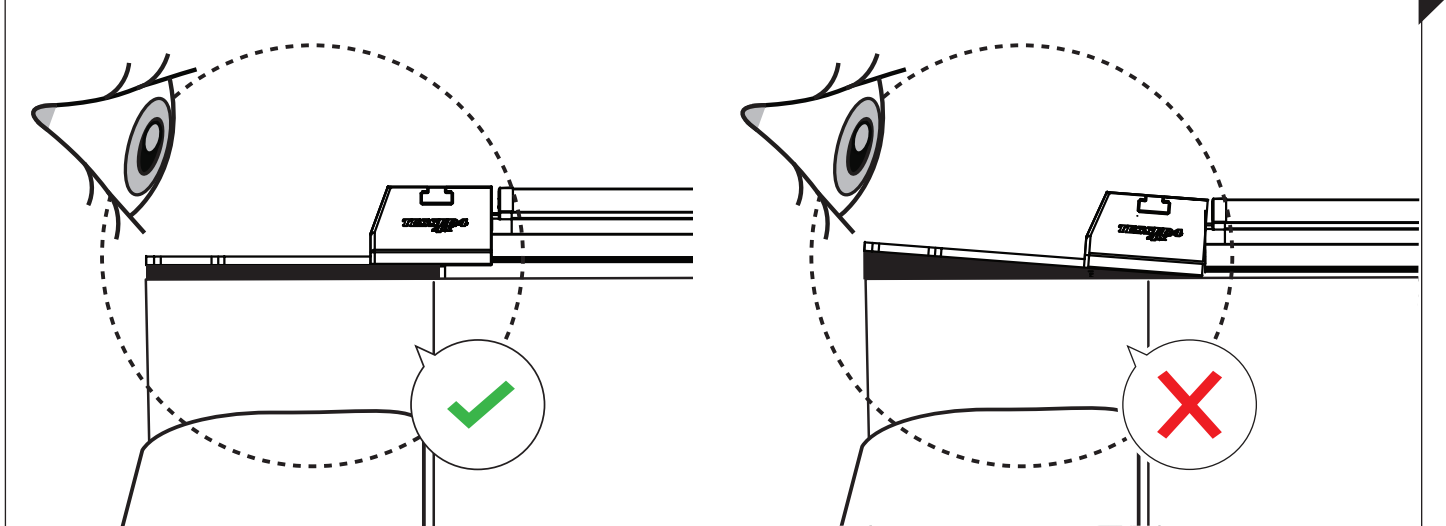
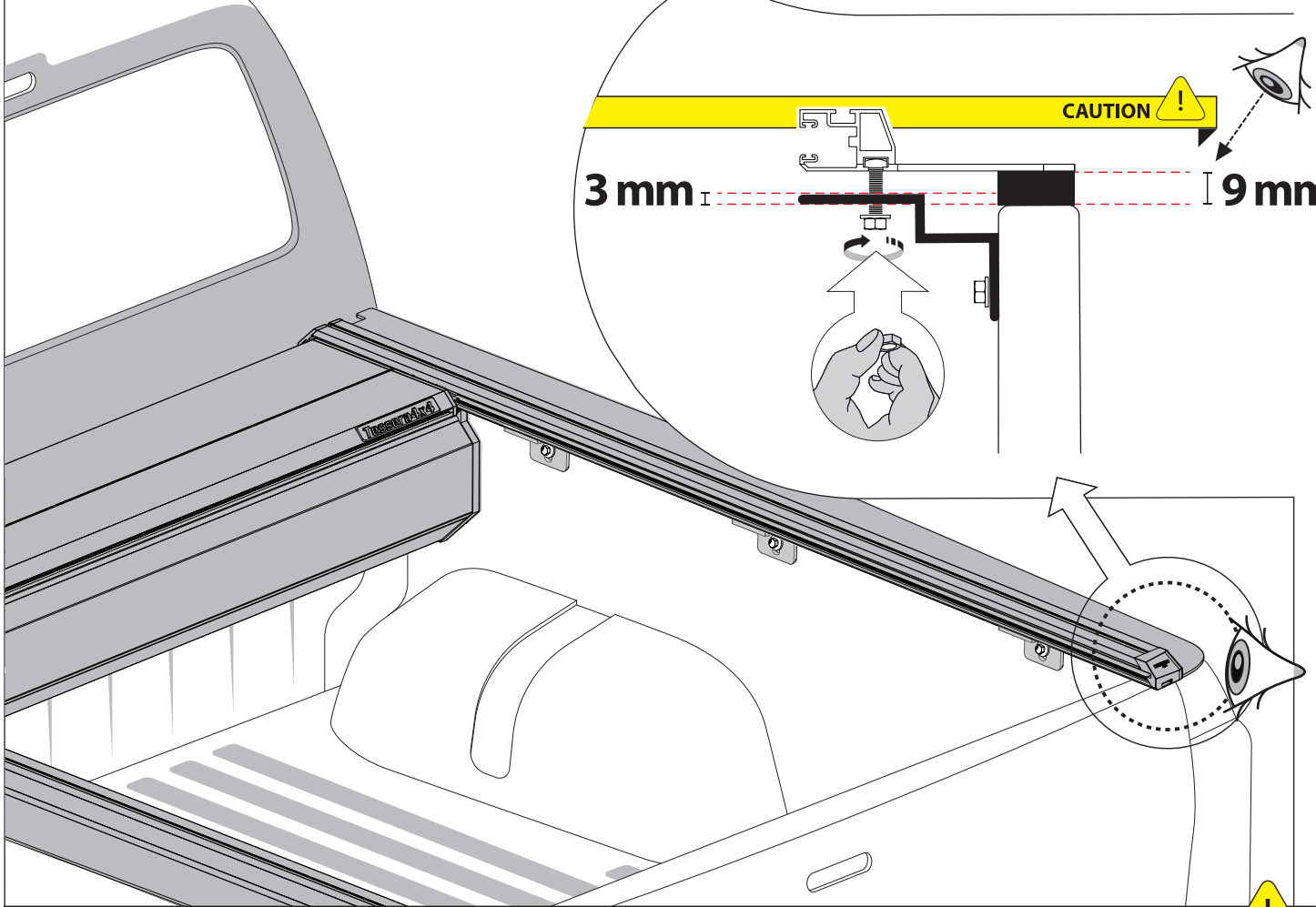
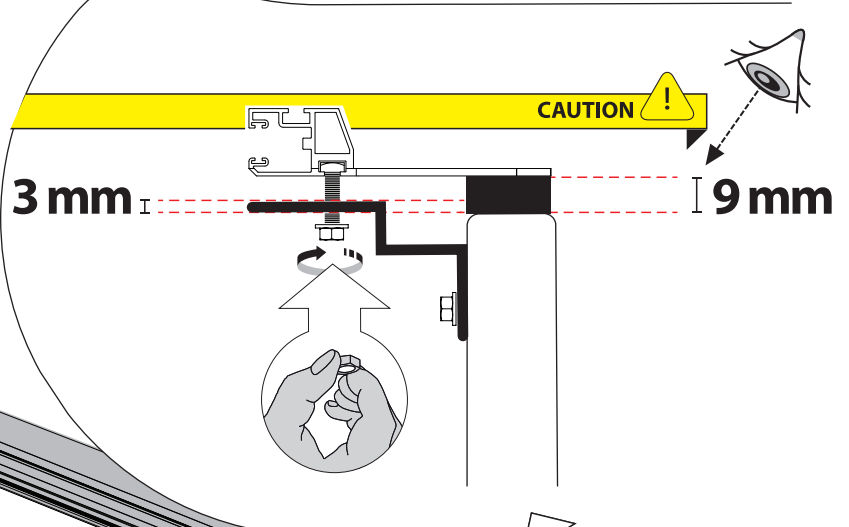
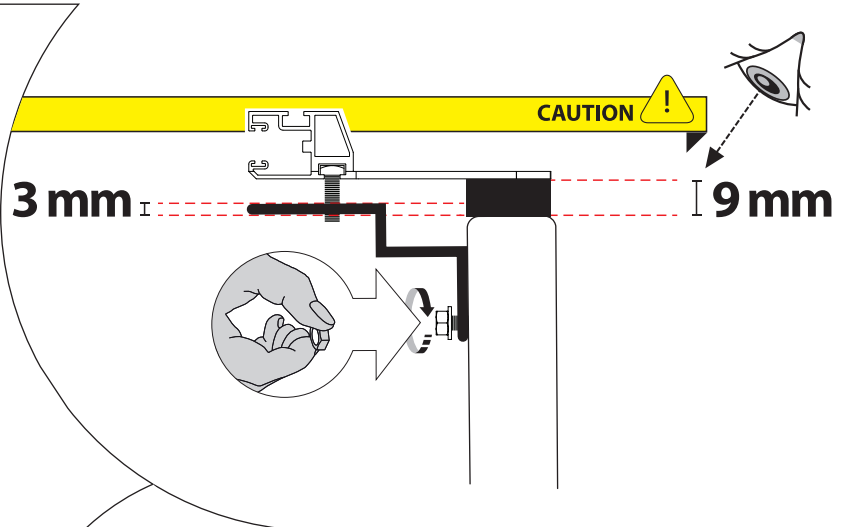
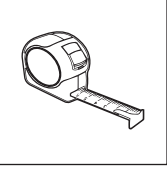
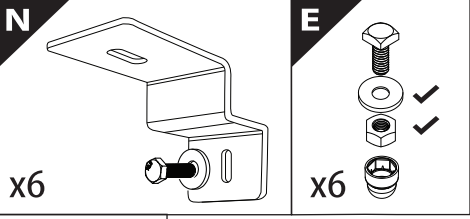
37



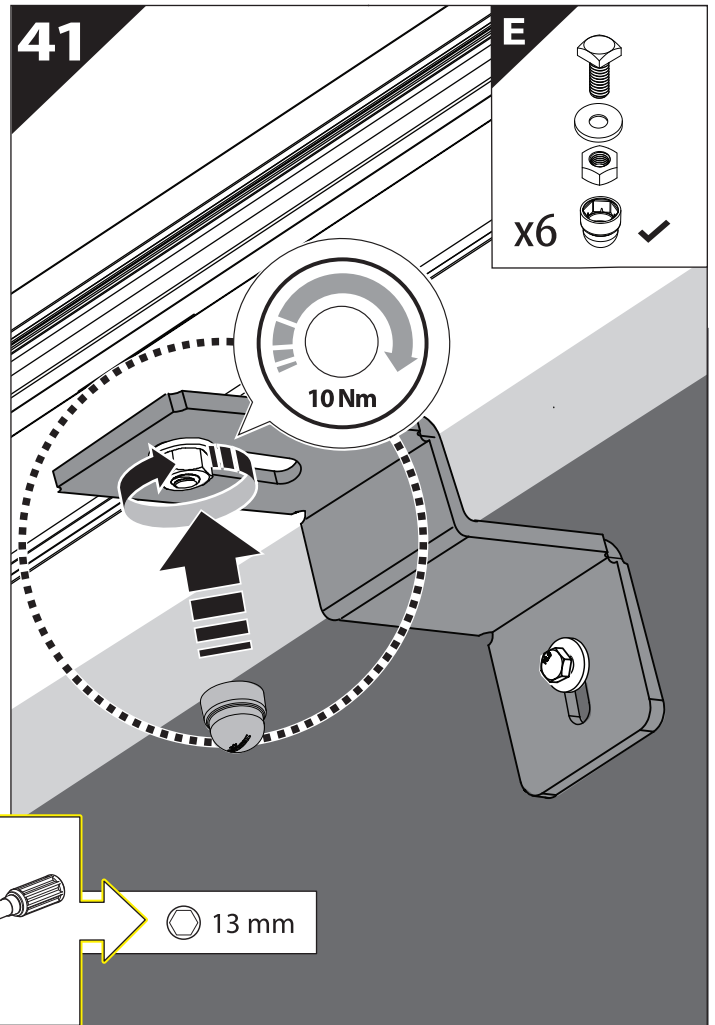
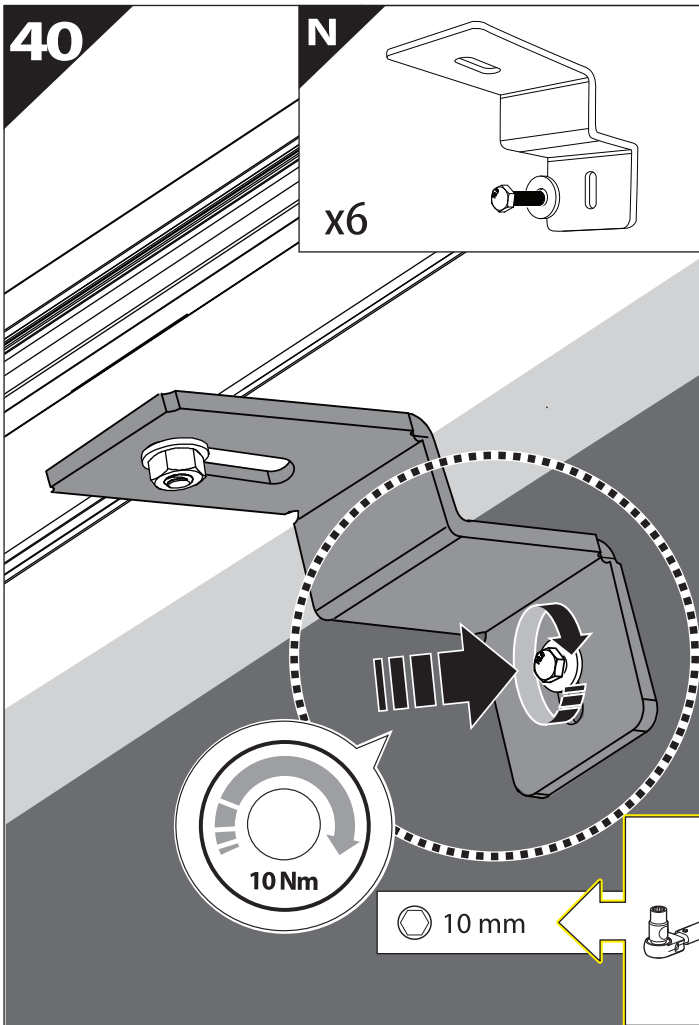
38



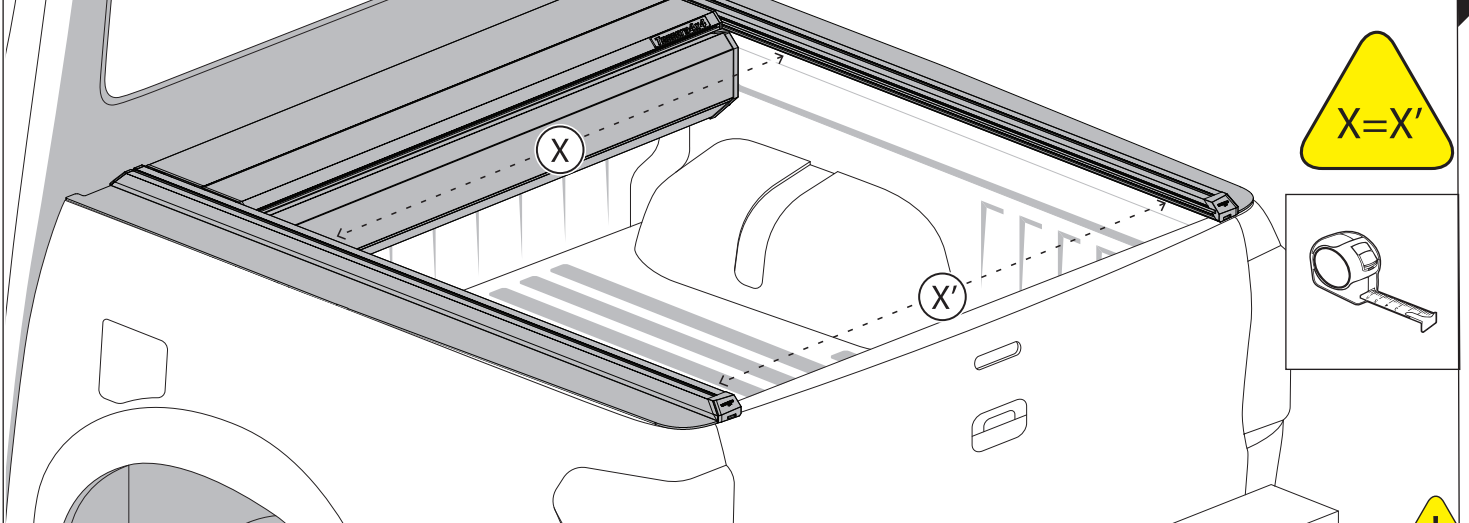
39



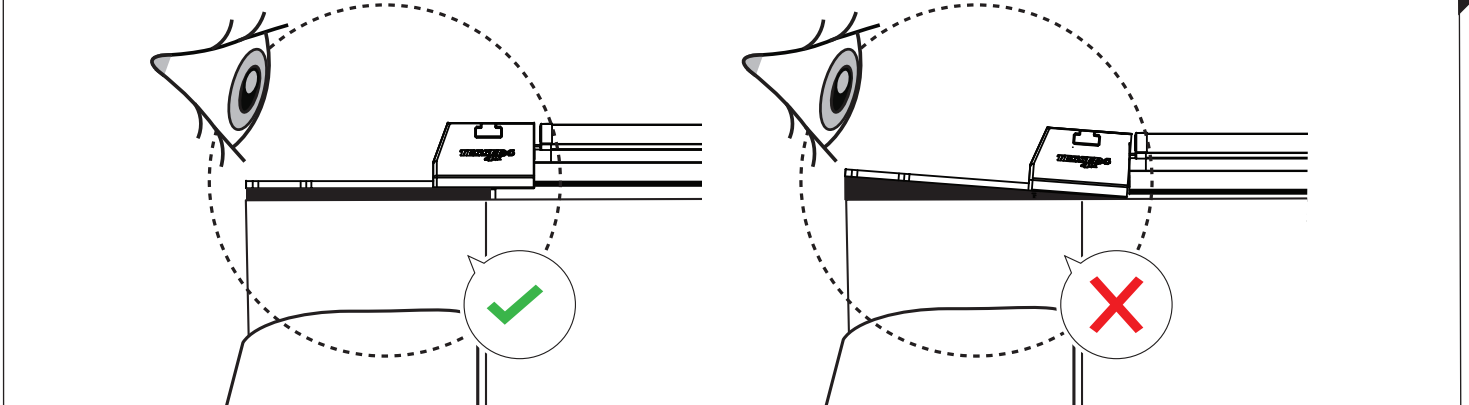




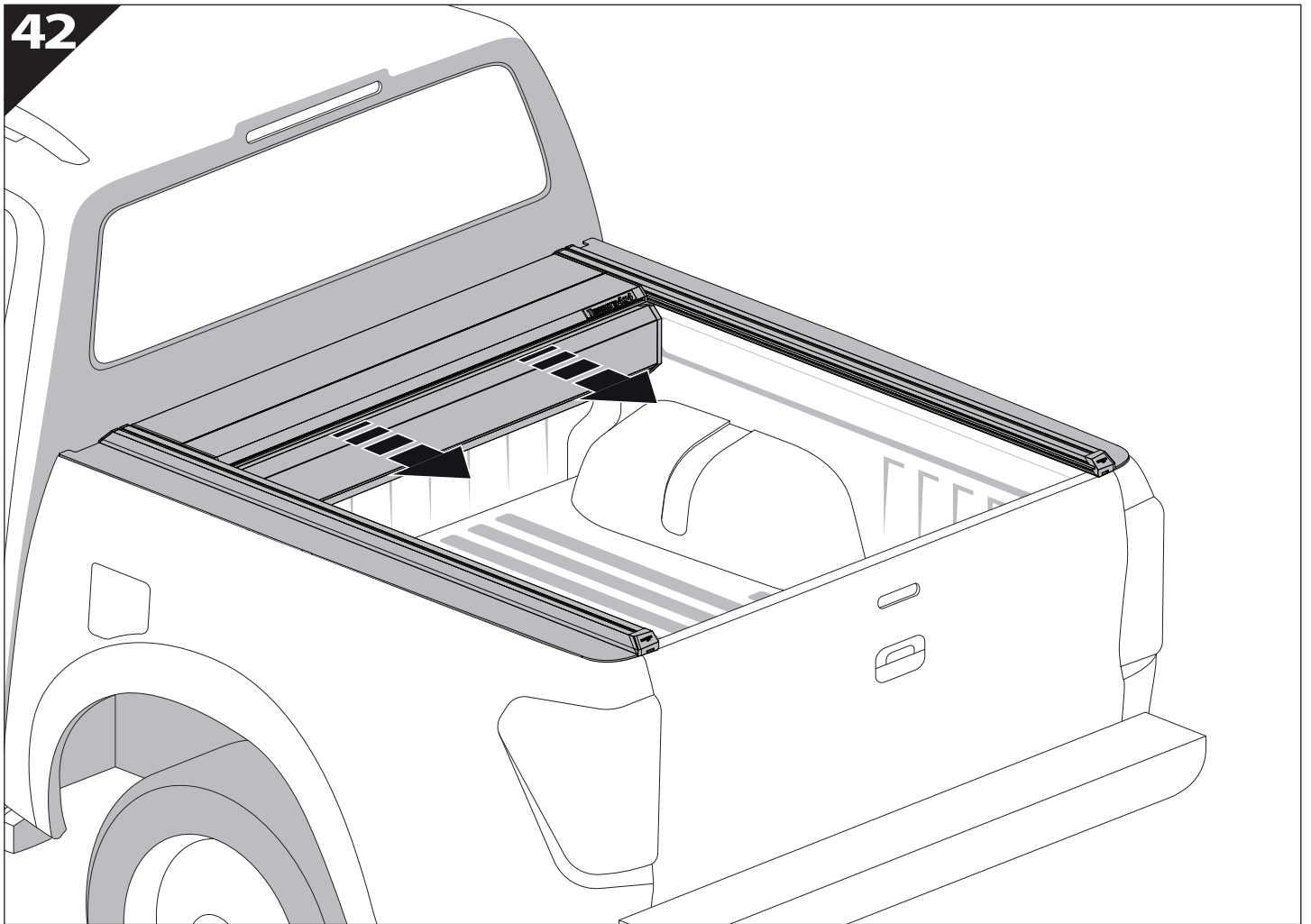
**CAUTION** !



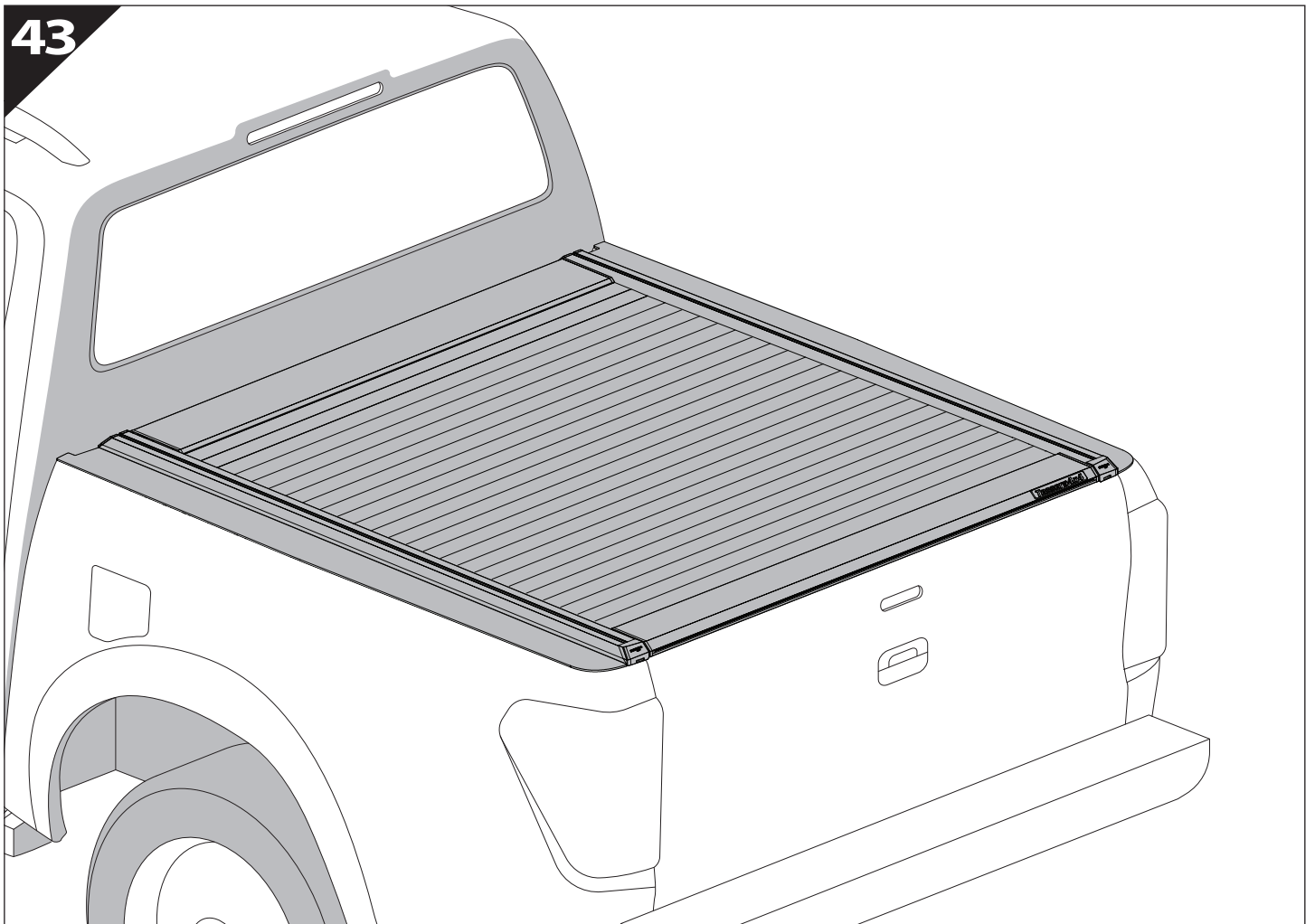
**CAUTION** !



42



43







**GR:** Οδηγίες Εγκατάστασης  
**GB:** Installation manual  
**SF:** Asennusohje  
**F:** Notice de montage  
**PL:** Instrukcja montażu  
**NL:** Installatie-instructies  
**TR:** Montaj Talimatı  
**S:** Monteringsanvisning  
**E:** Instrucciones de montaje

**H:** Szerelési utasítás  
**P:** Instruções de instalação  
**RUS:** Инструкция по установке  
**N:** Monteringsveiledning  
**D:** Einbauanleitung  
**CZ:** Návod k instalaci  
**I:** Istruzioni de montaggio  
**DK:** Monteringsvejledning  
**RO:** Instructiuni de instalare

Customer Service:

+30 (210) 5541161, +30 (210) 5541154 (08:00 - 16:00 EET)

Support department:

[info@gianso.gr](mailto:info@gianso.gr)

Website:

[www.tessera4x4.com](http://www.tessera4x4.com)

Address:

19.5 km of National road Athens-Korinthos (Elefsina) Greece, P.C: 19200