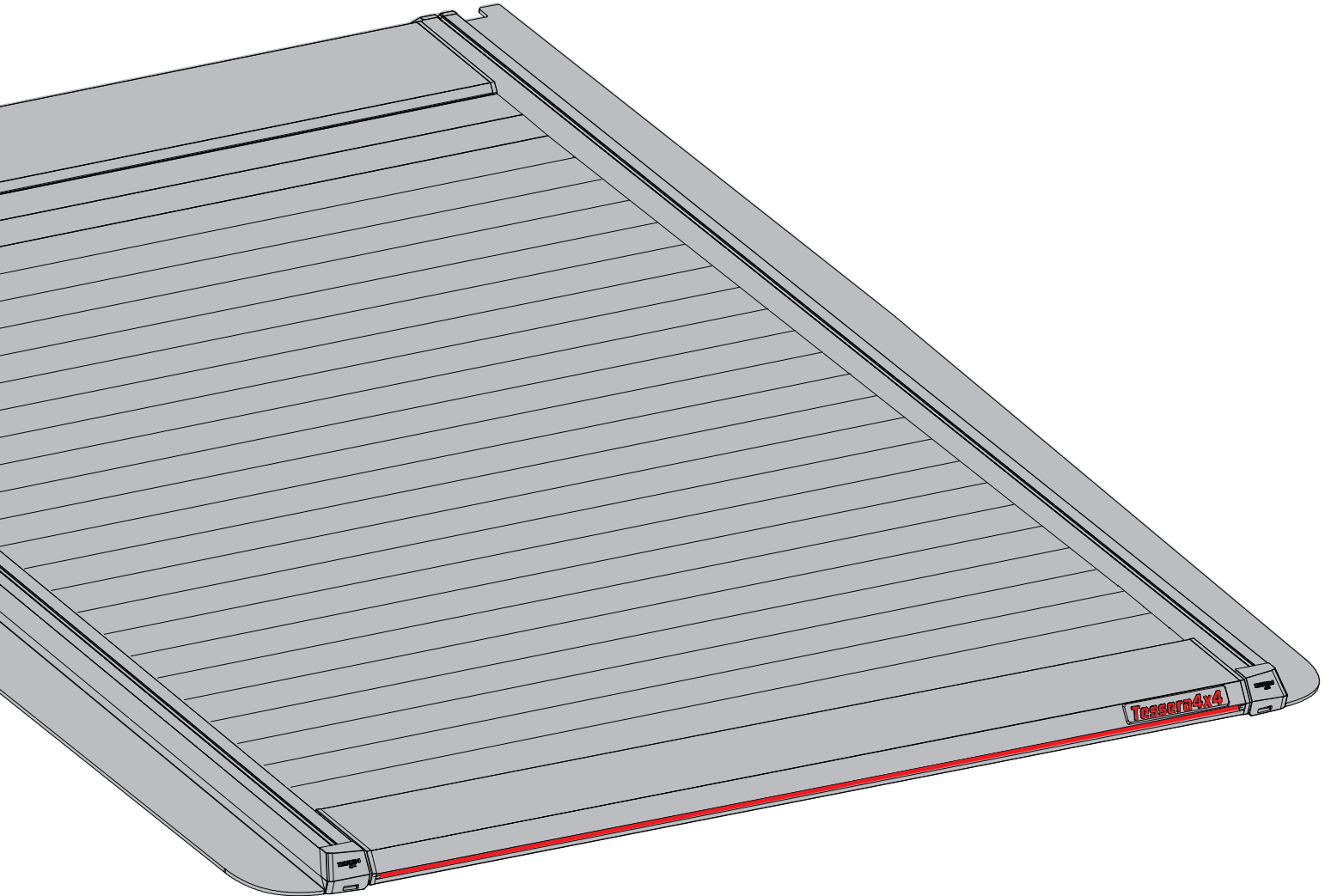


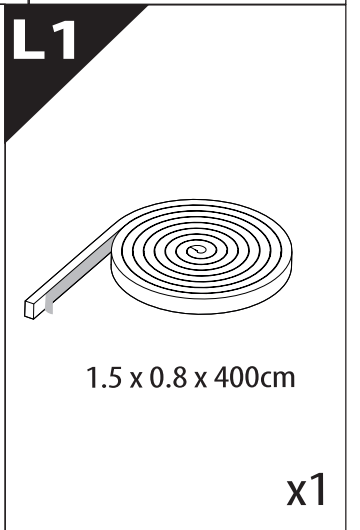
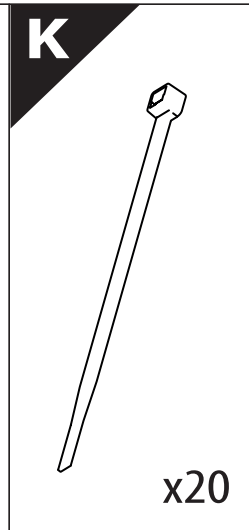
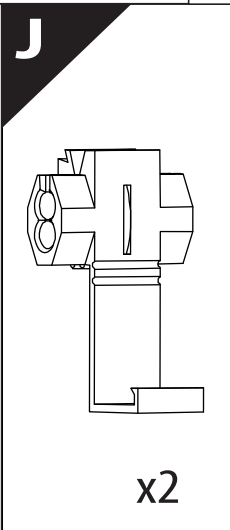
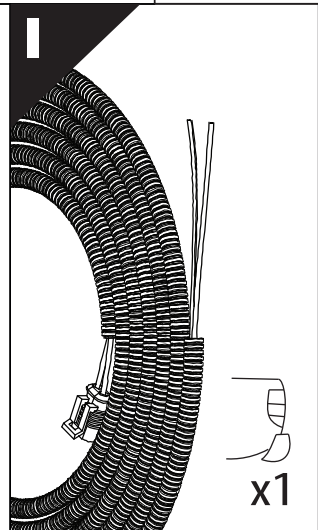
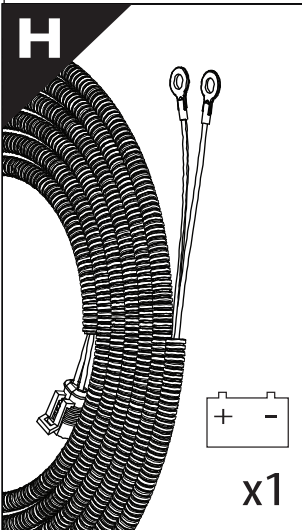
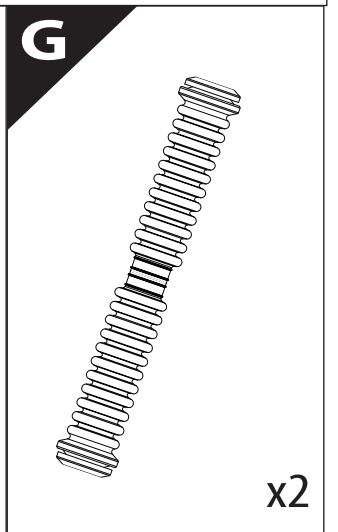
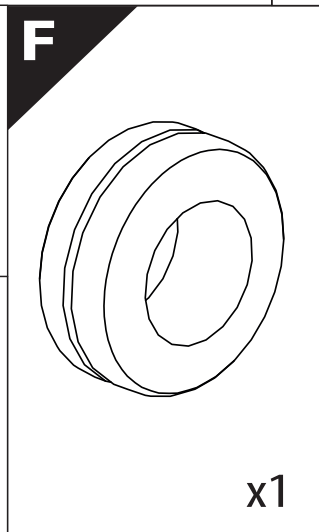
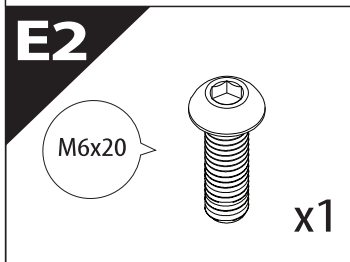
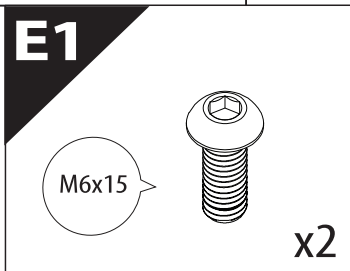
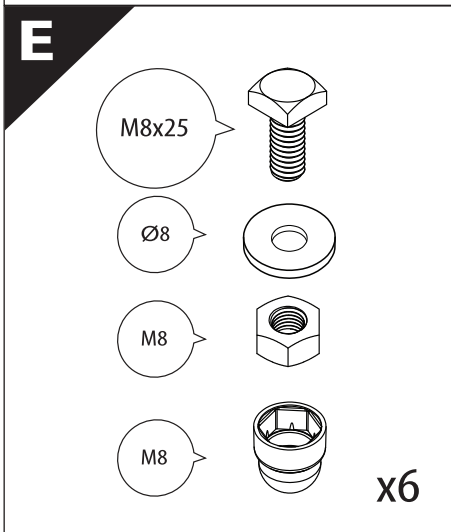
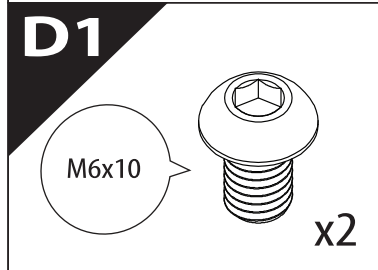
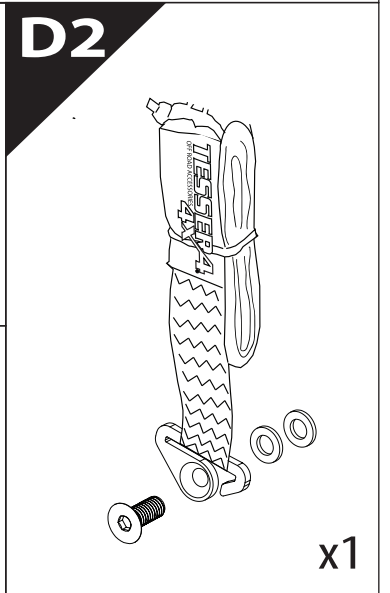
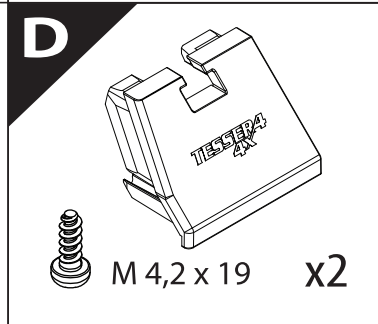
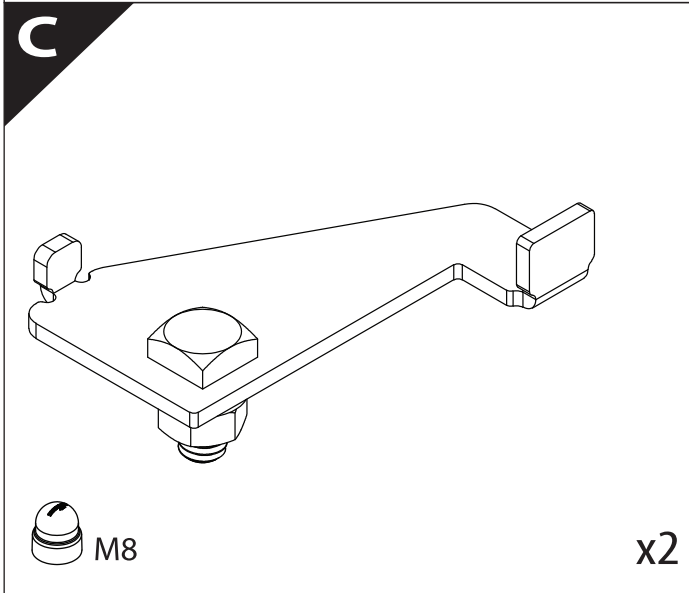
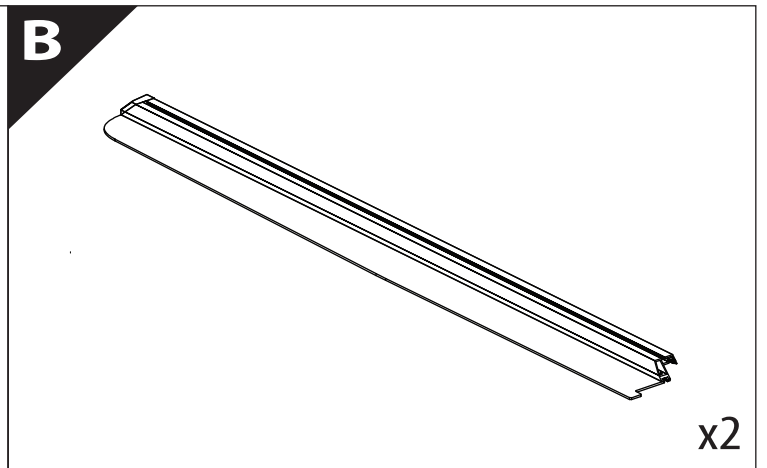
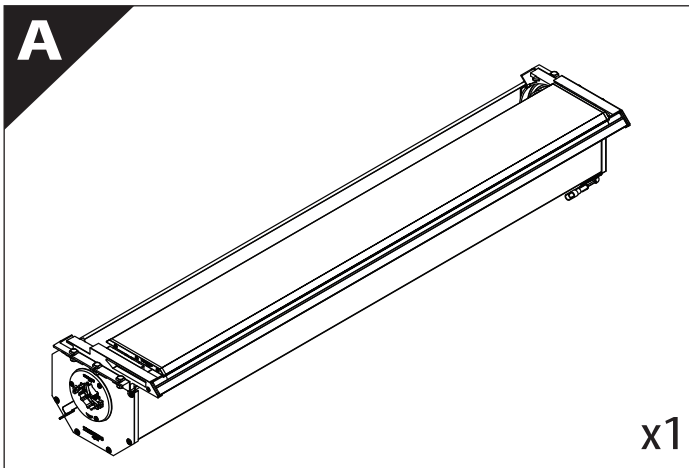
Tessera Roll+

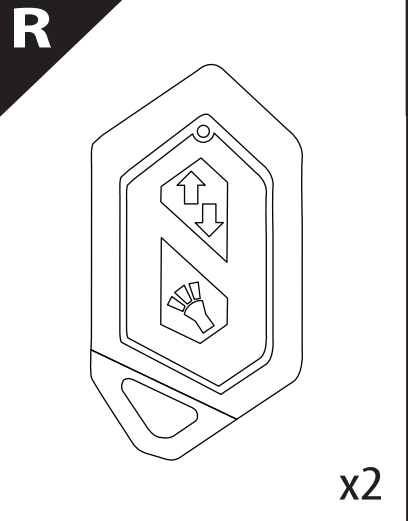
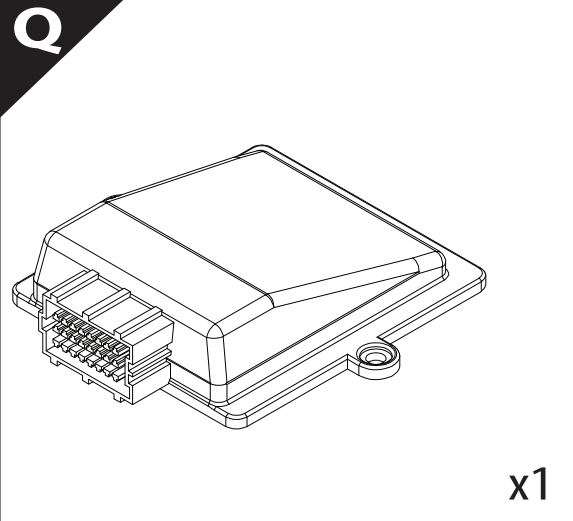
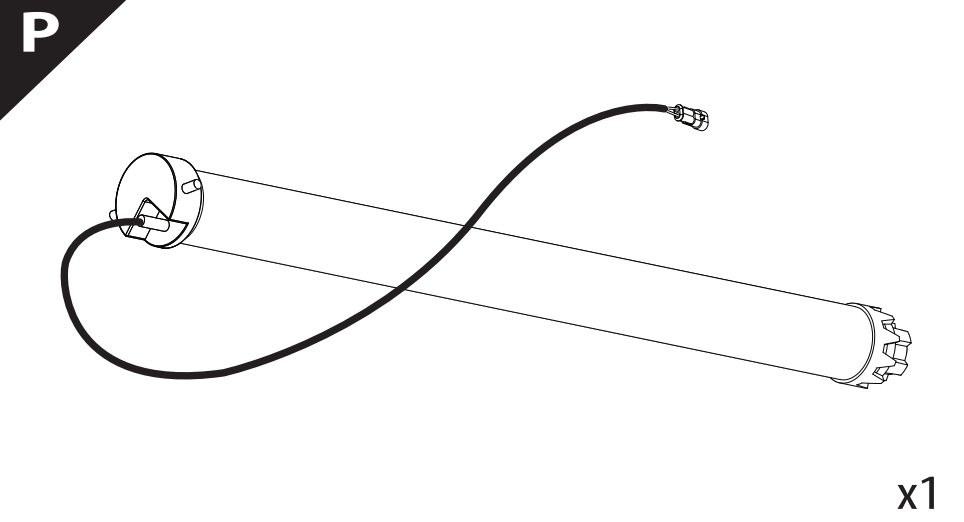
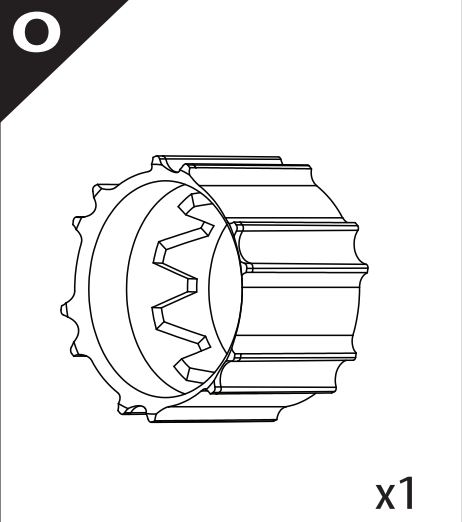
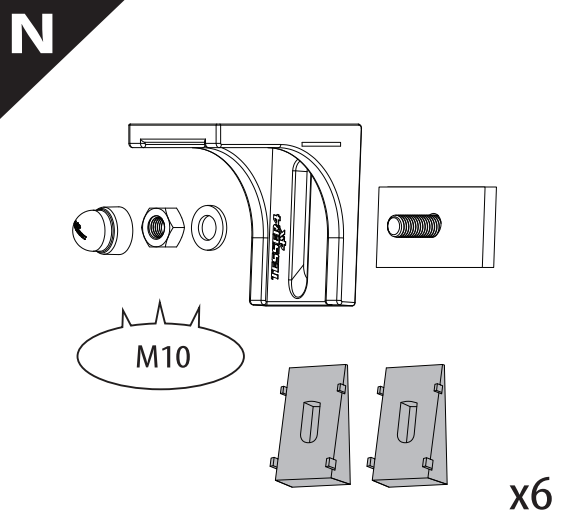
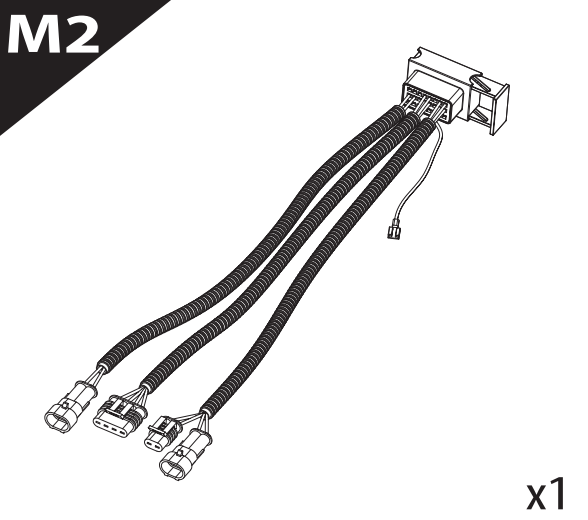
Basic Version + ⚡ E-KIT

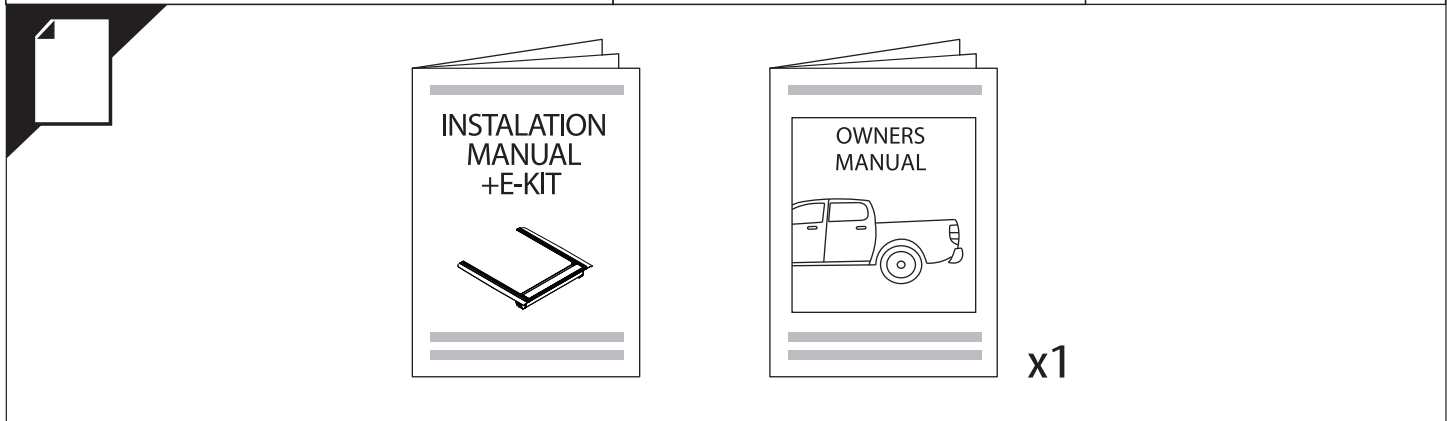
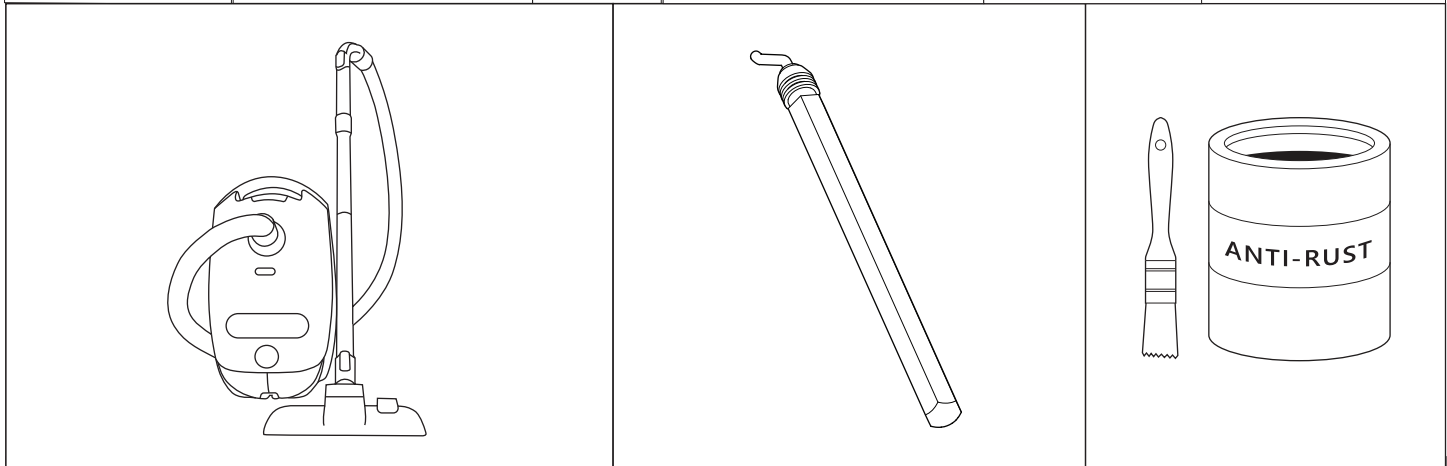
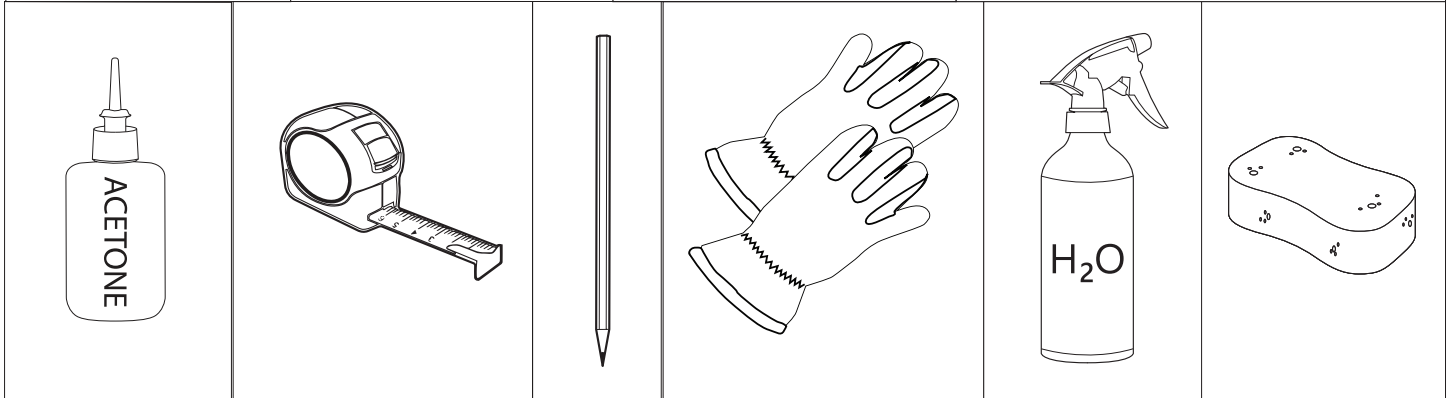
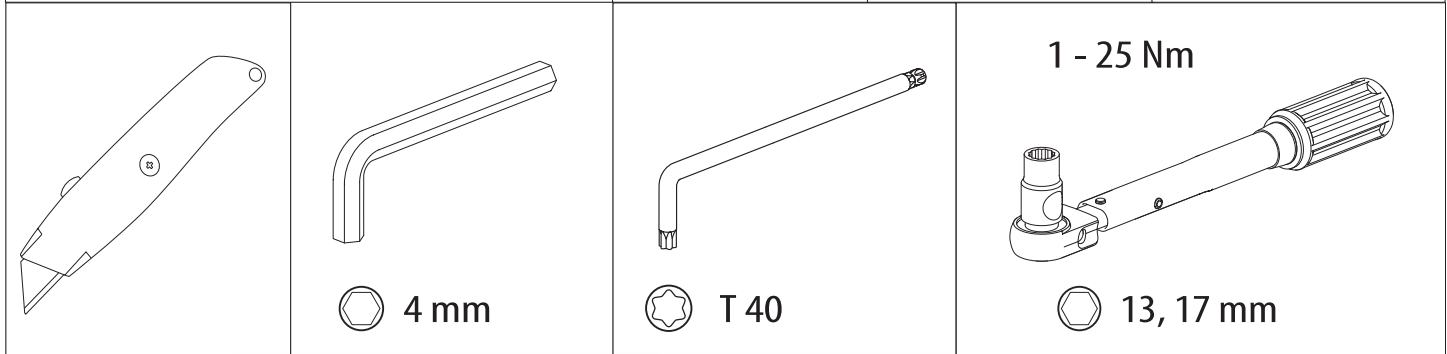
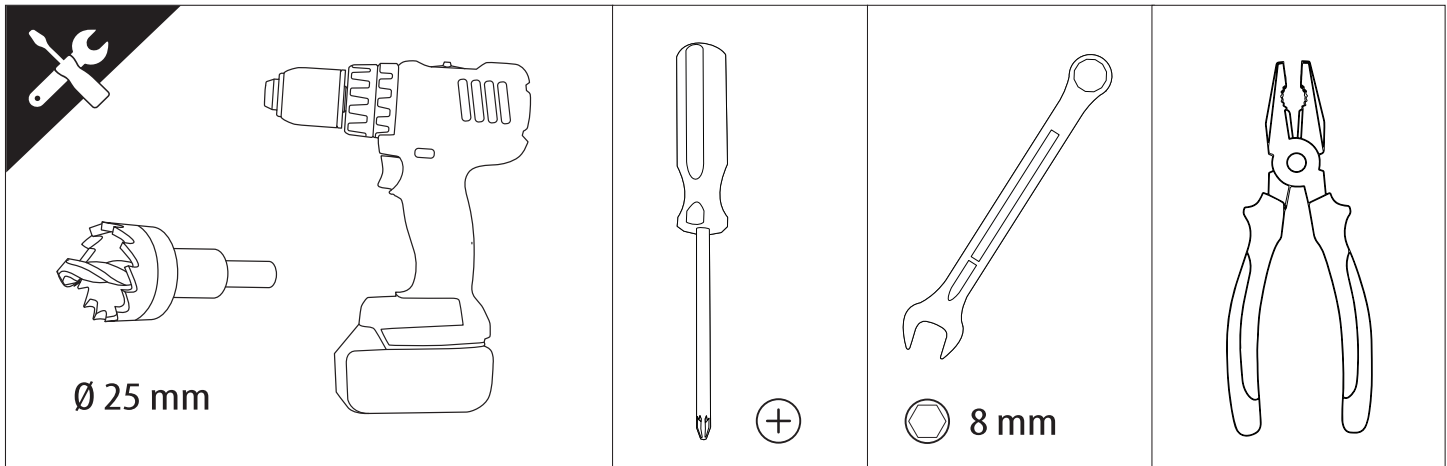


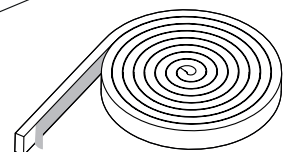
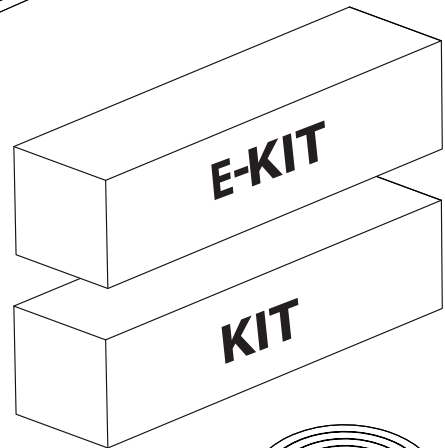
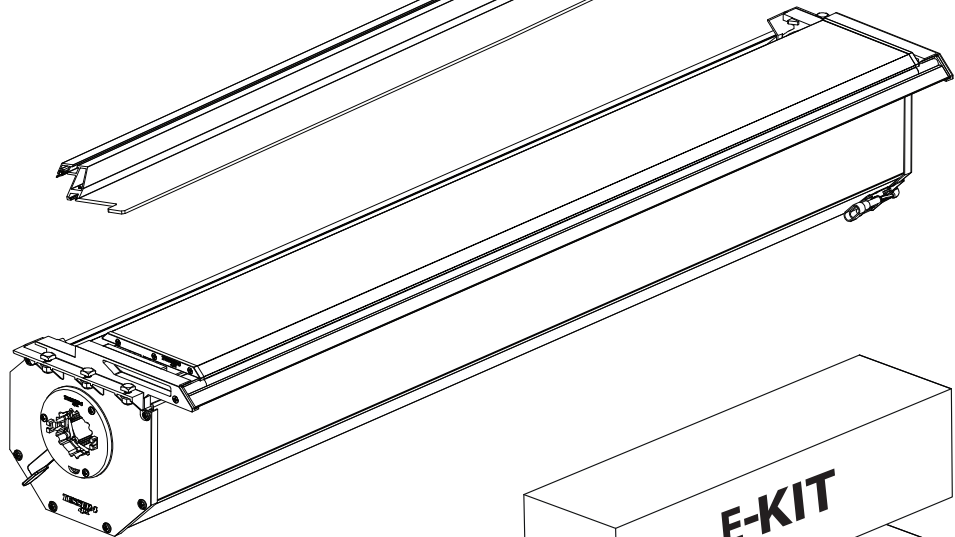
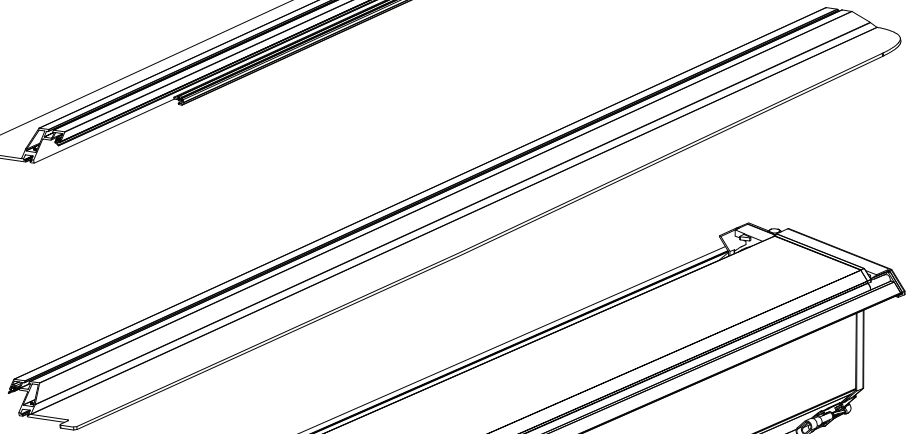
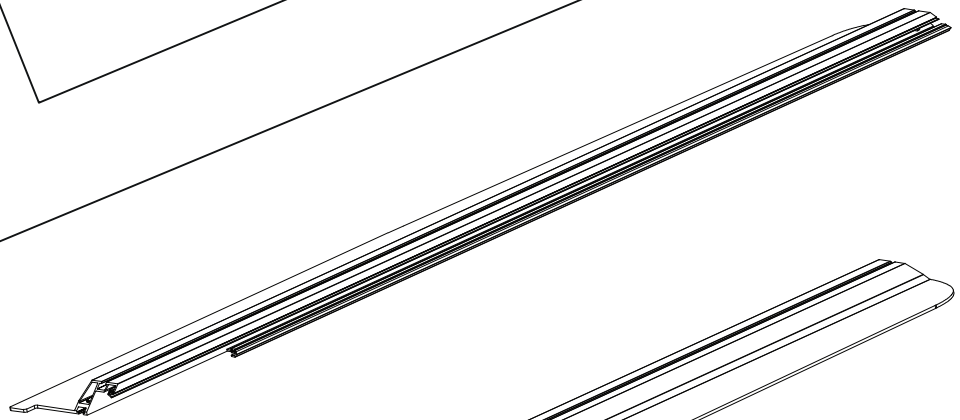
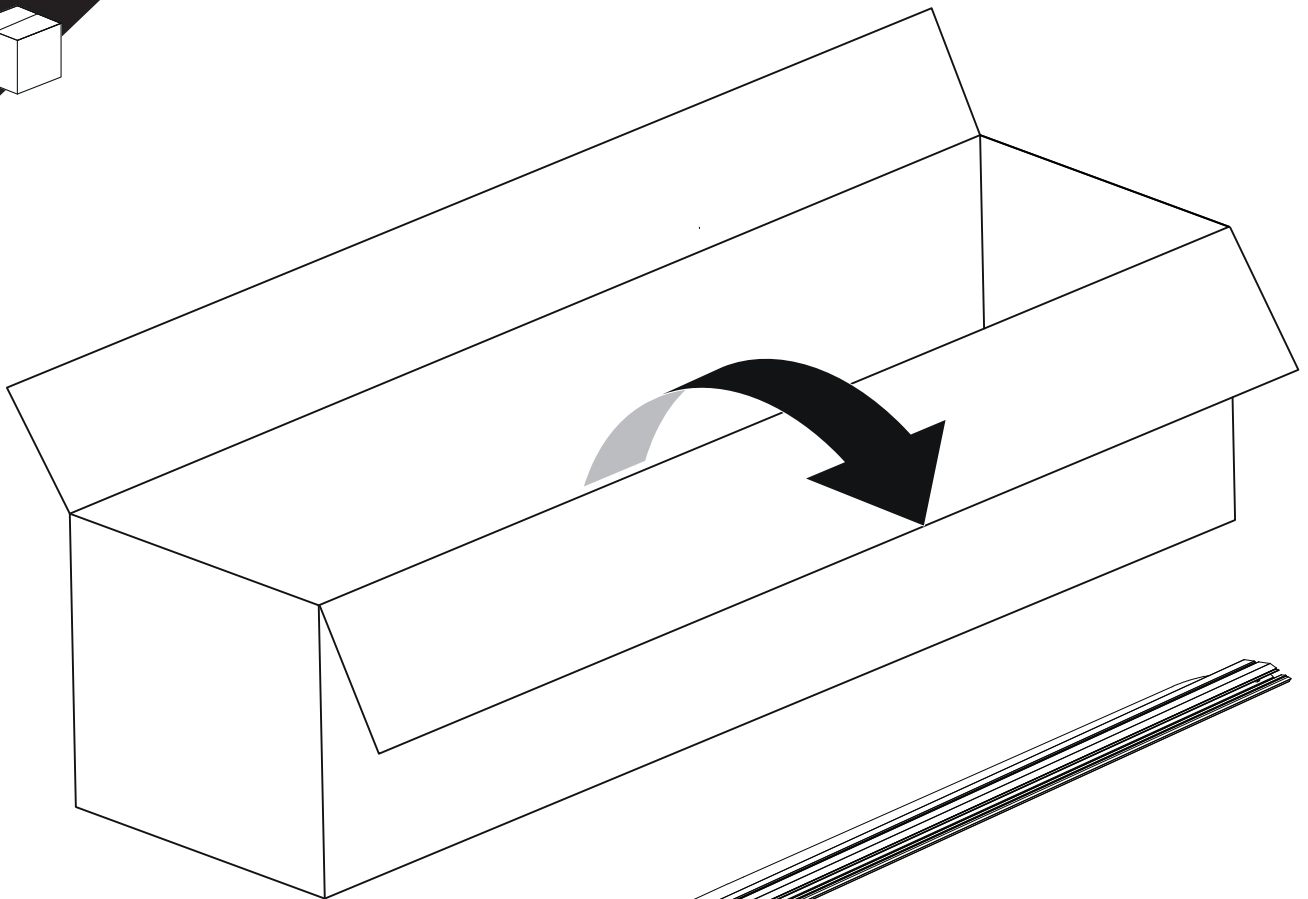
Installation Manual

PART NUMBER(S)	Model Year
TESS 1422 ROLL+E-KIT	JEEP GLADIATOR (with c-channels)
Cab(s)	Installation Time / Weight
Double Cab	40-60 minutes / 53-57 kg







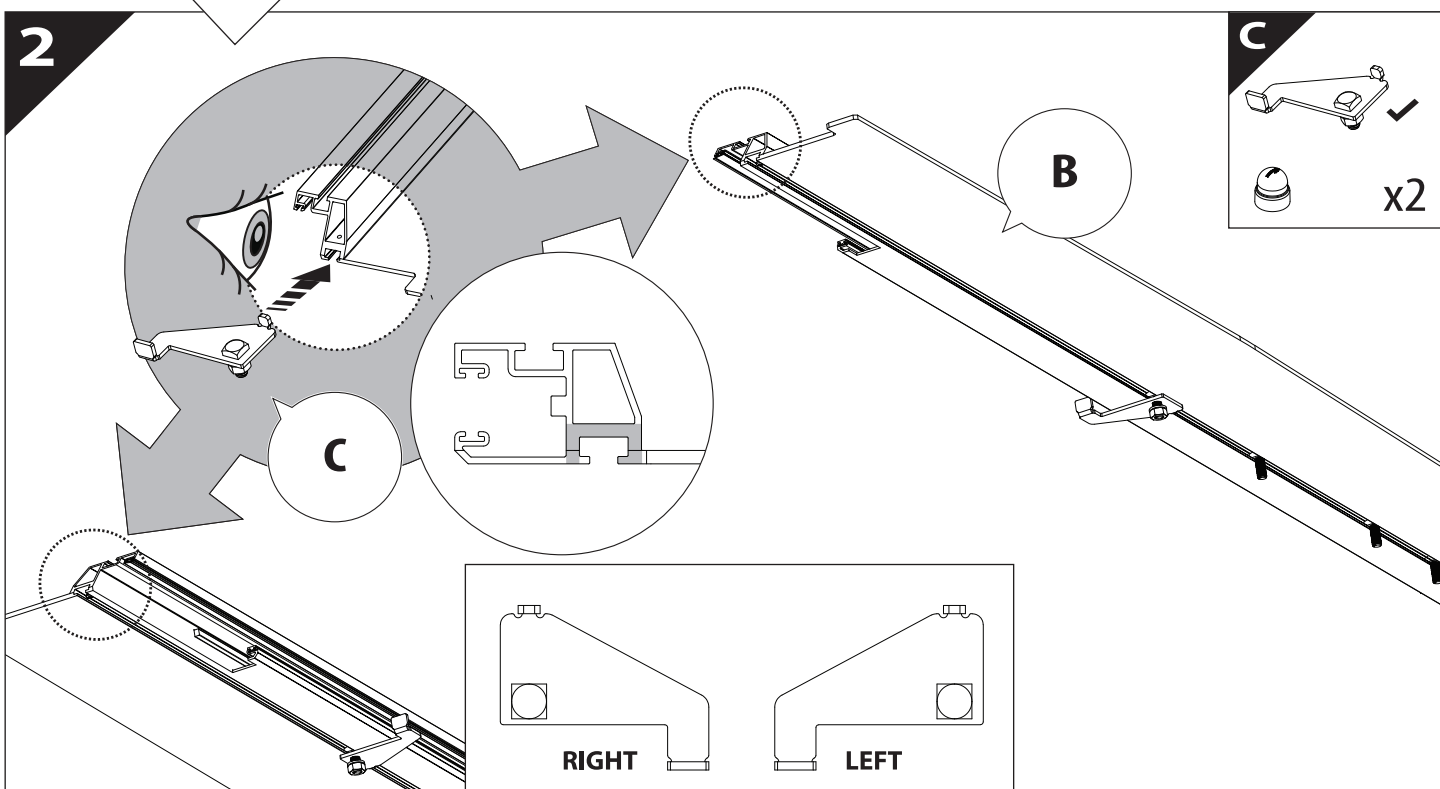
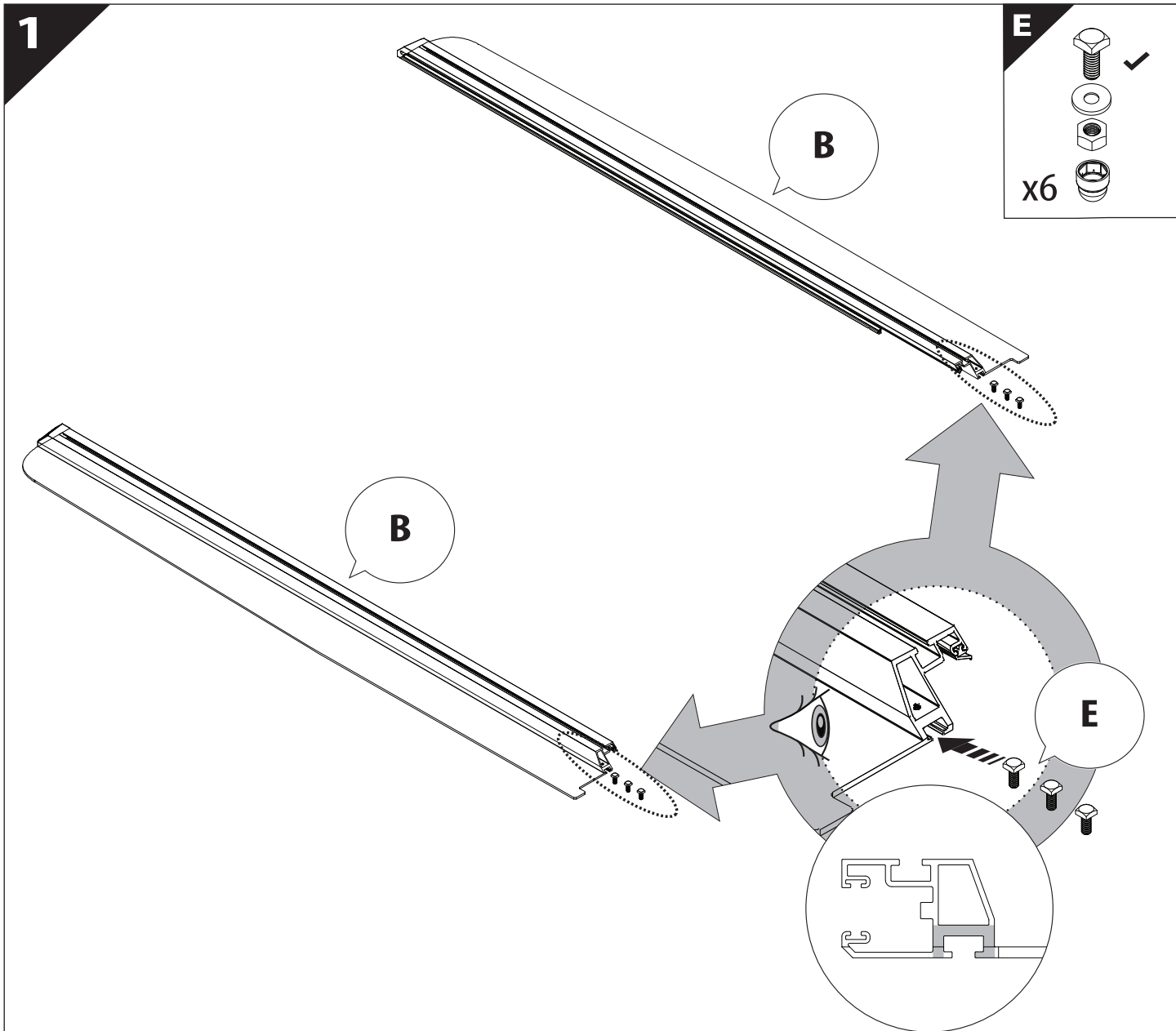


B

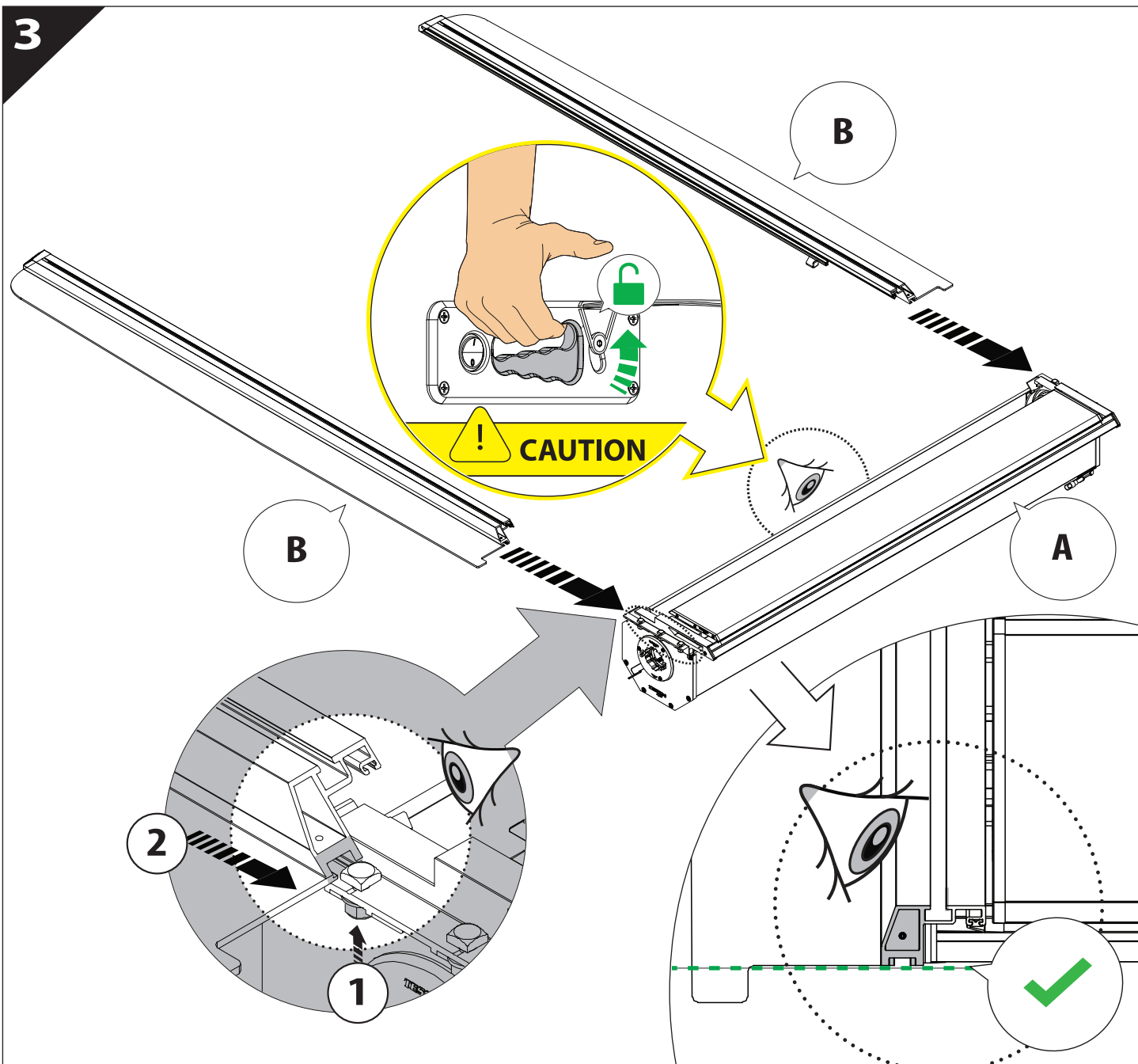
A

KITS

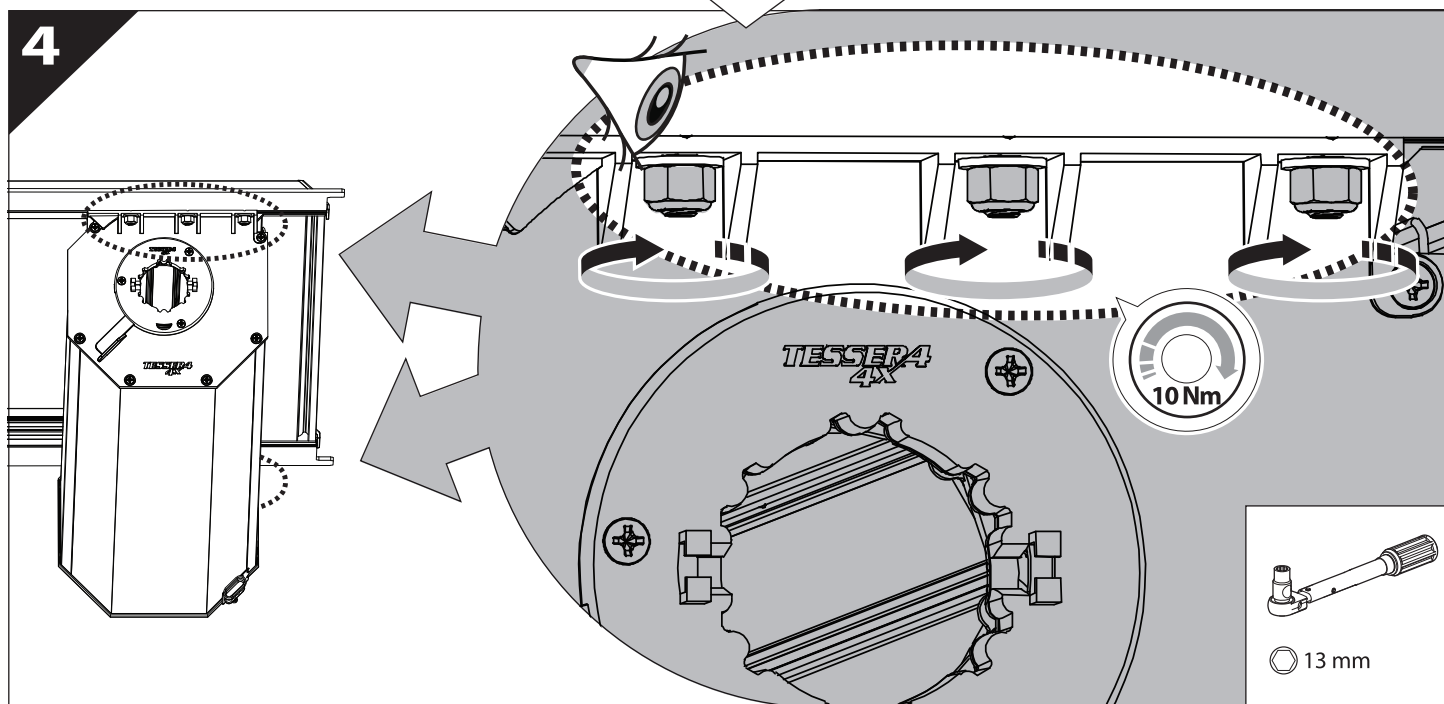
L

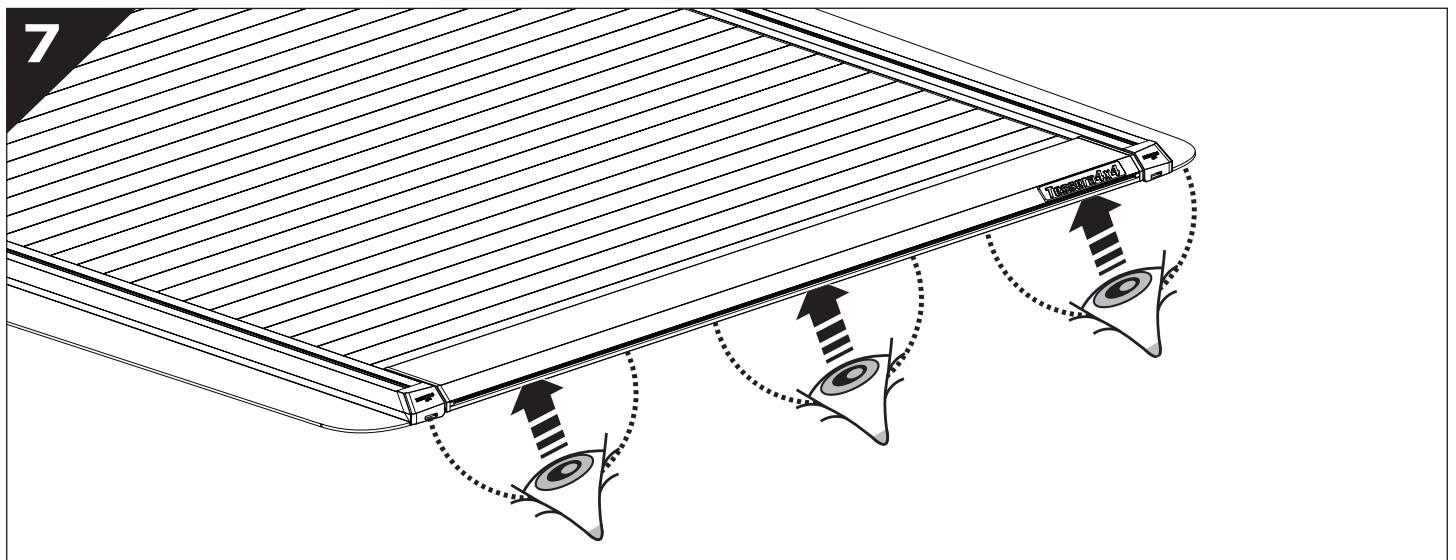
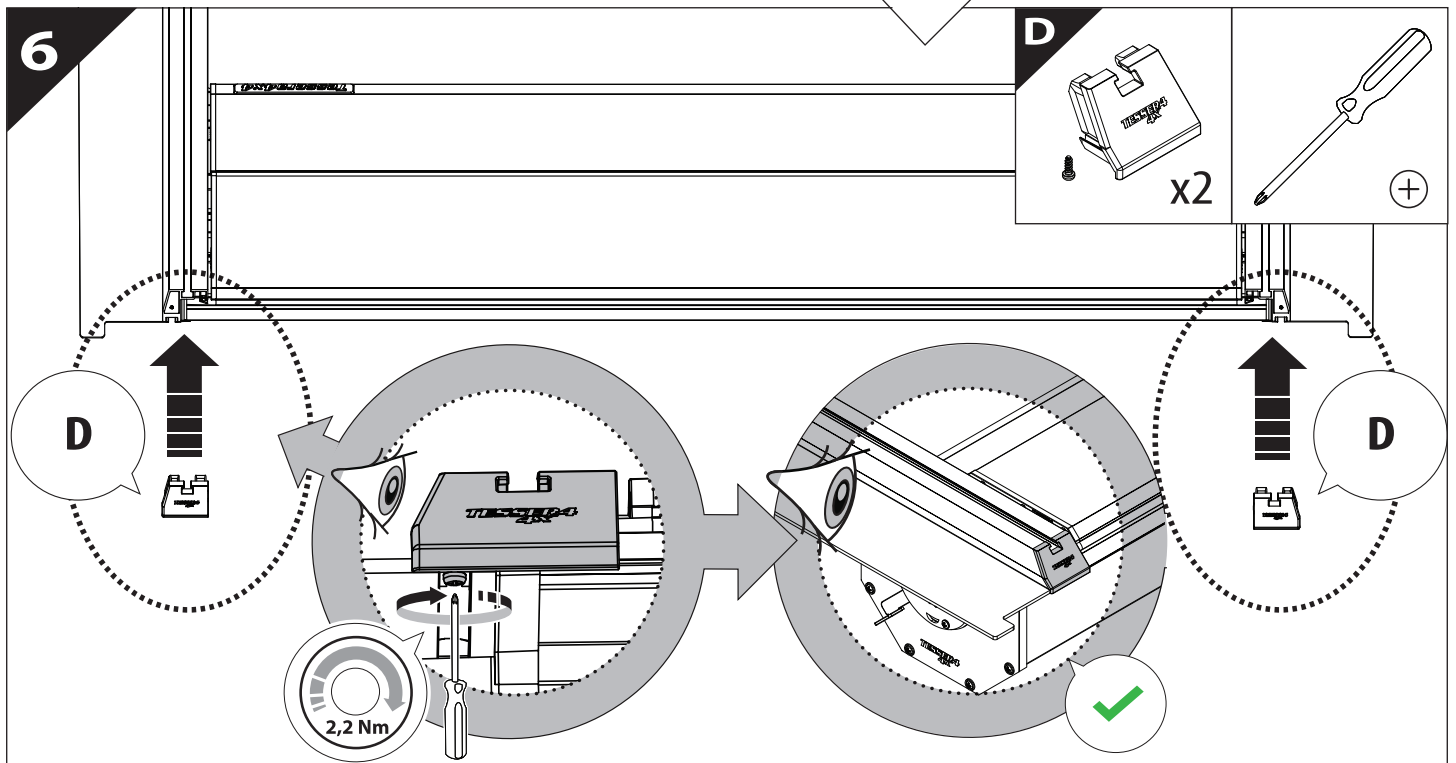
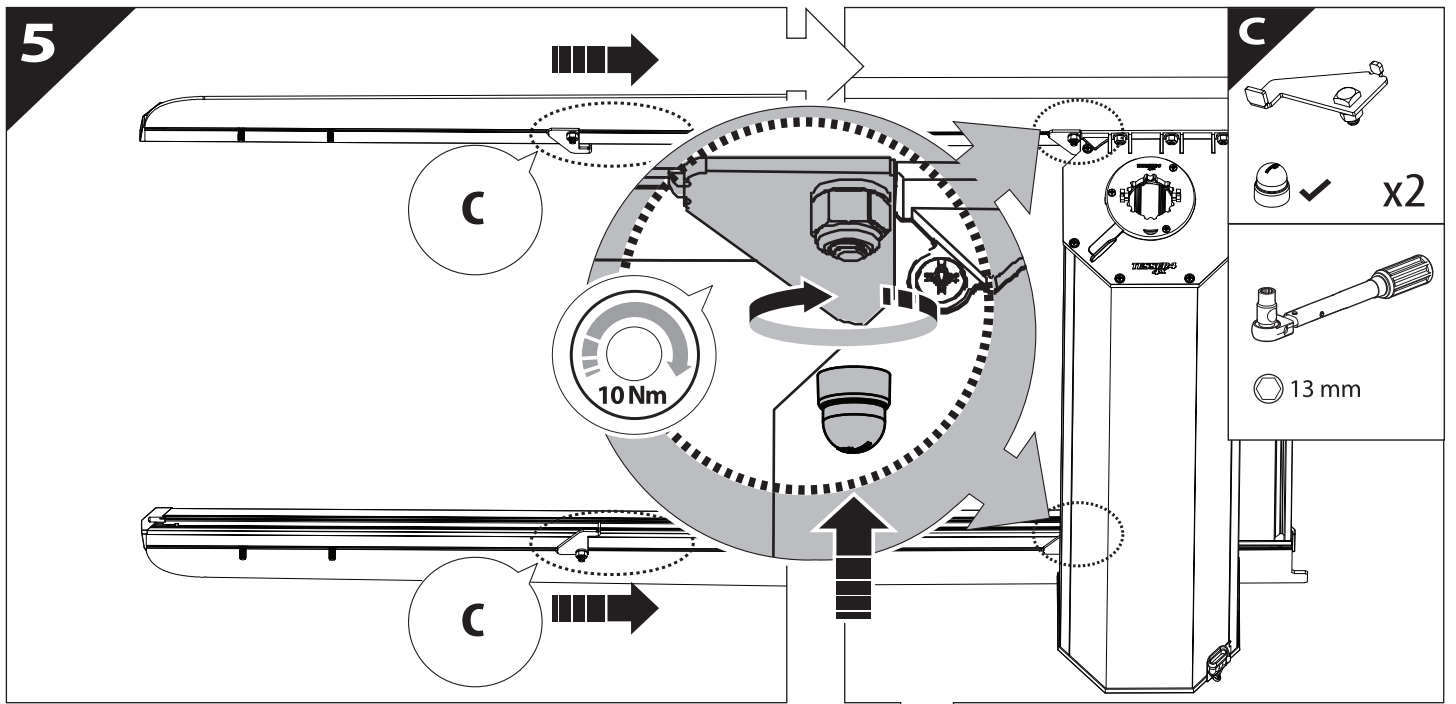


3

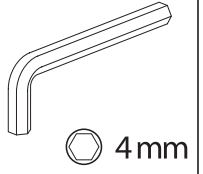
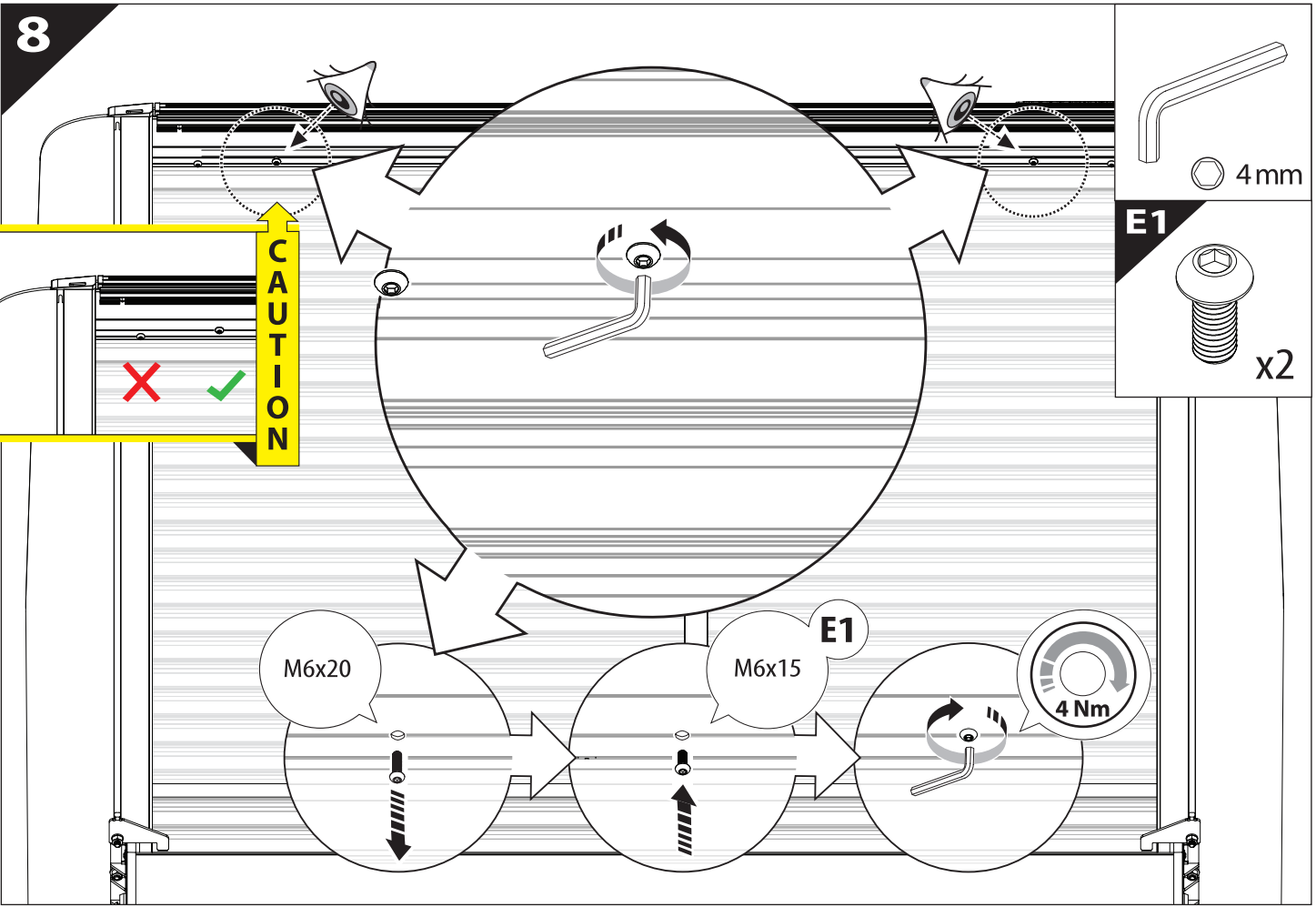
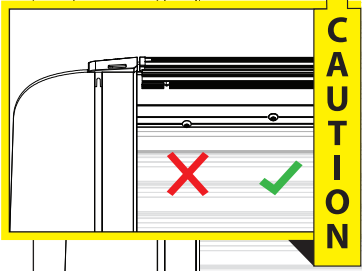


4

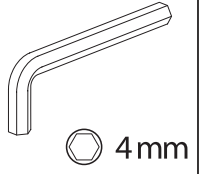
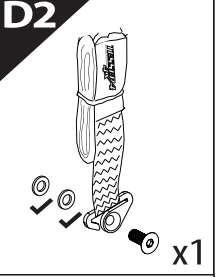
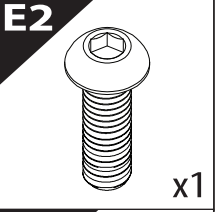
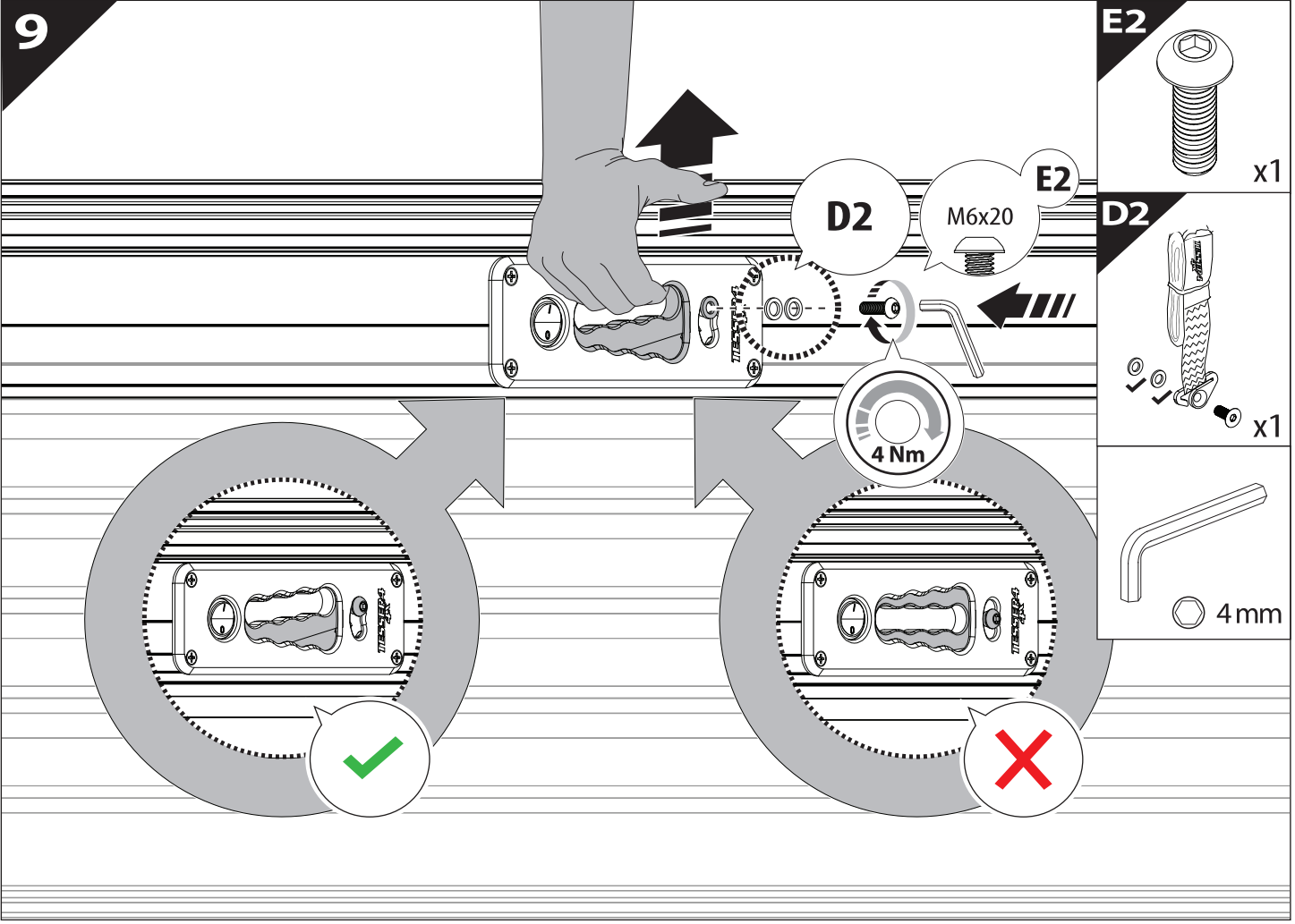


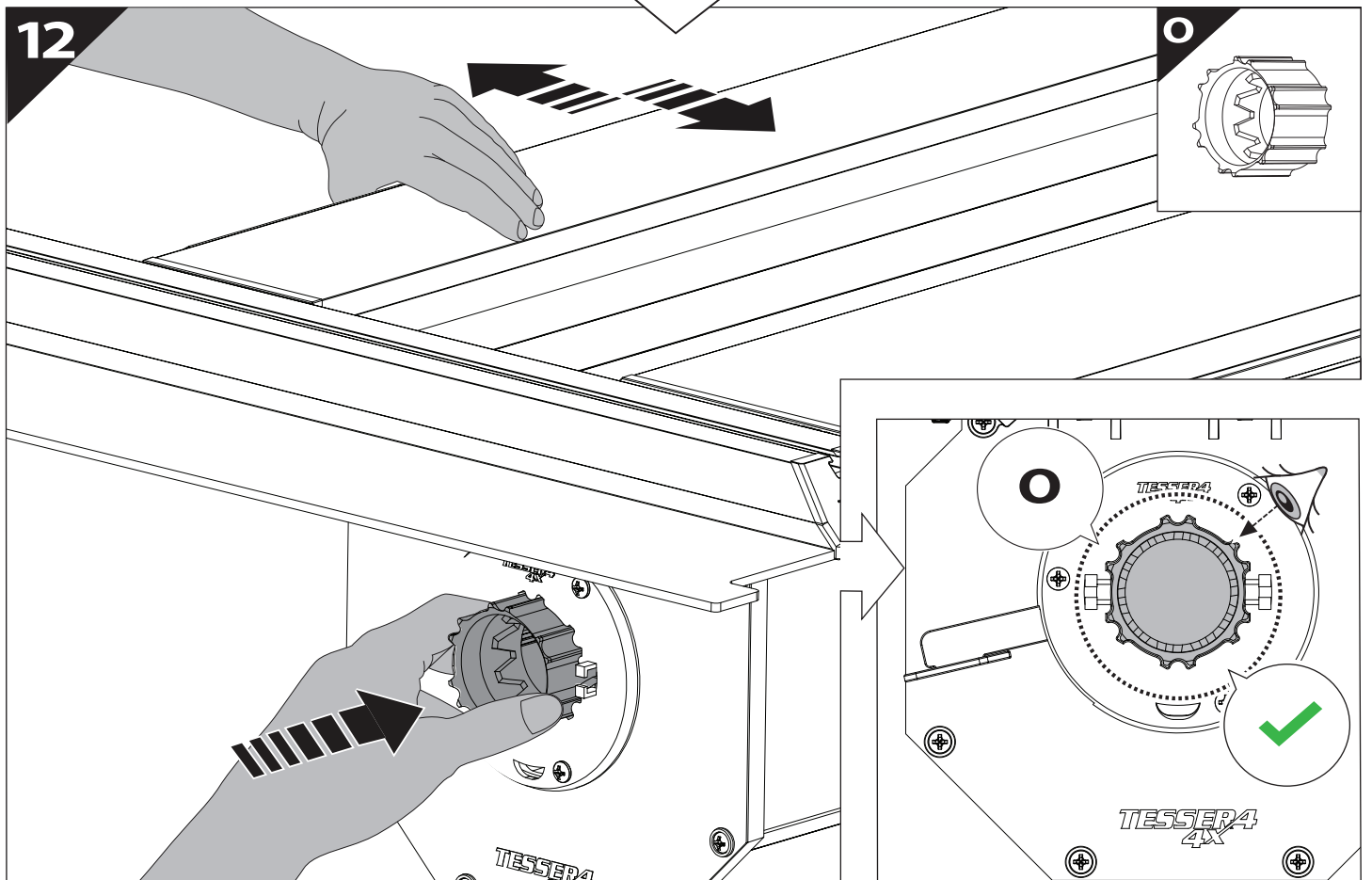
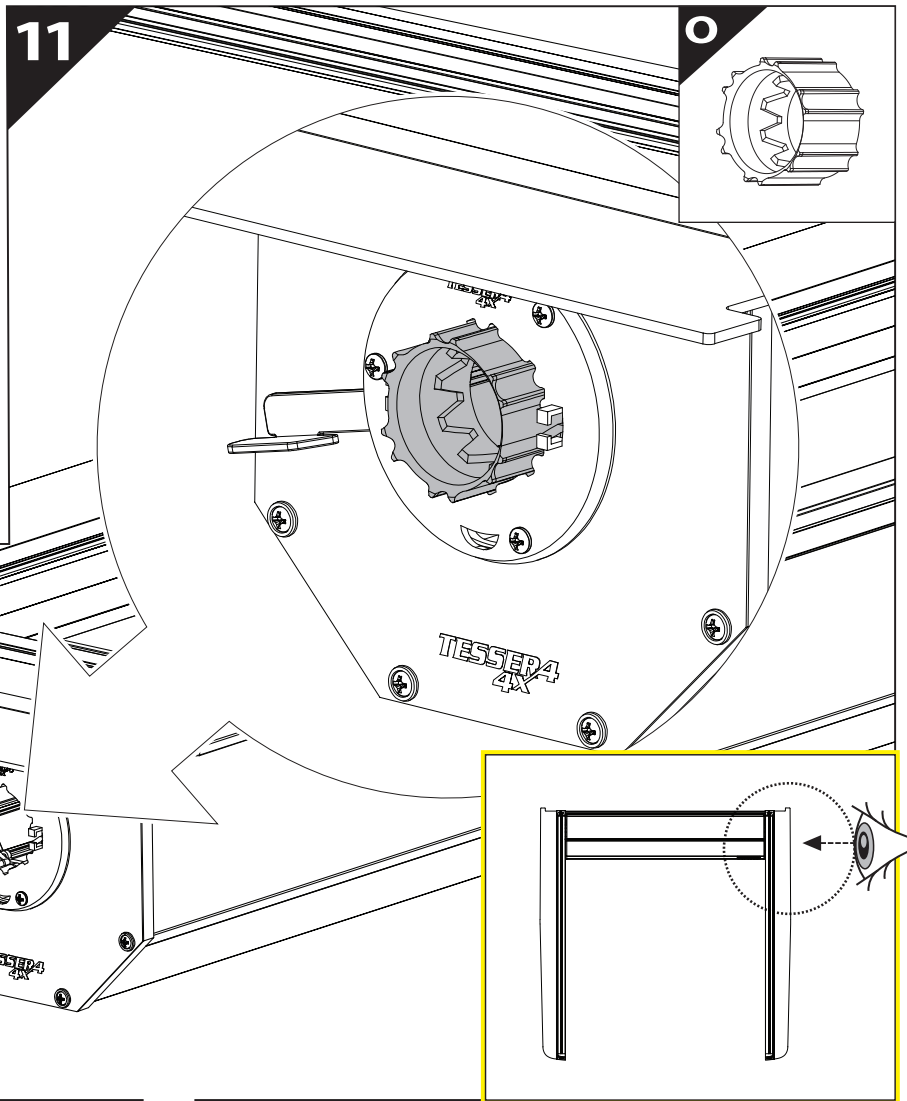
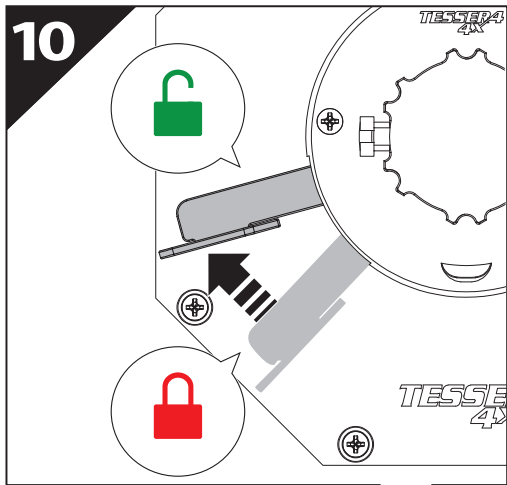


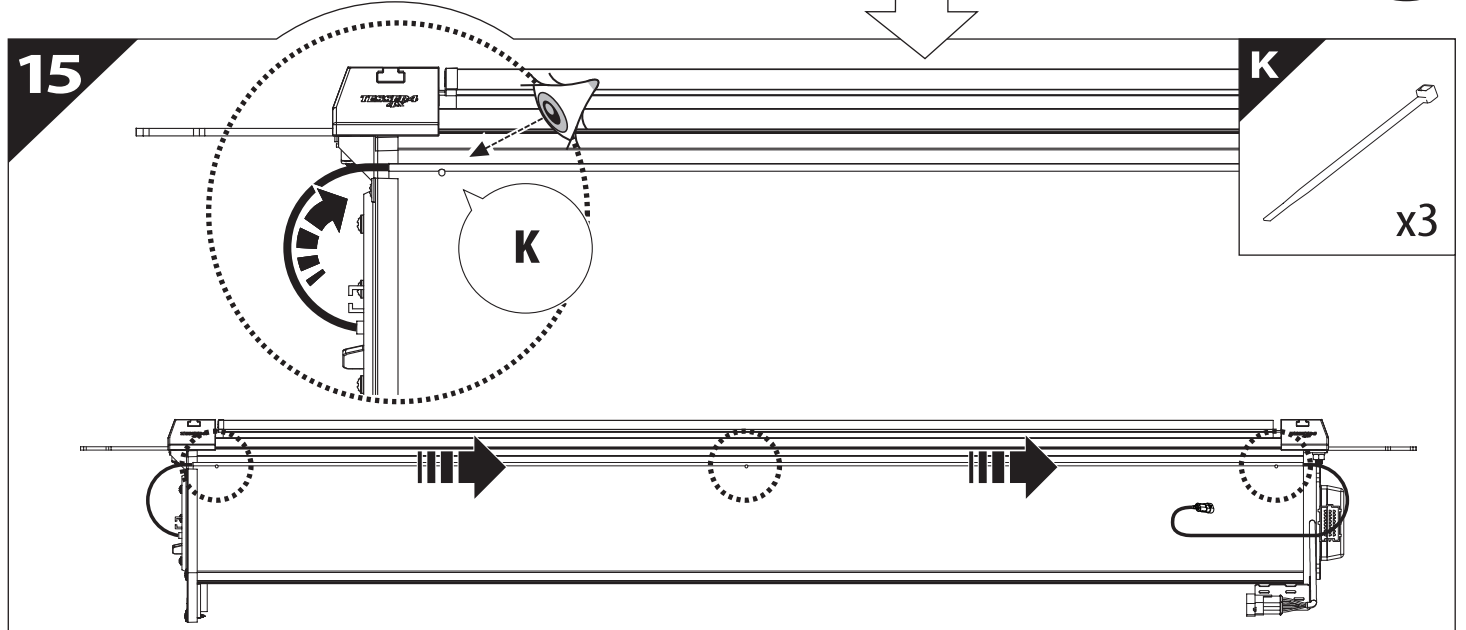
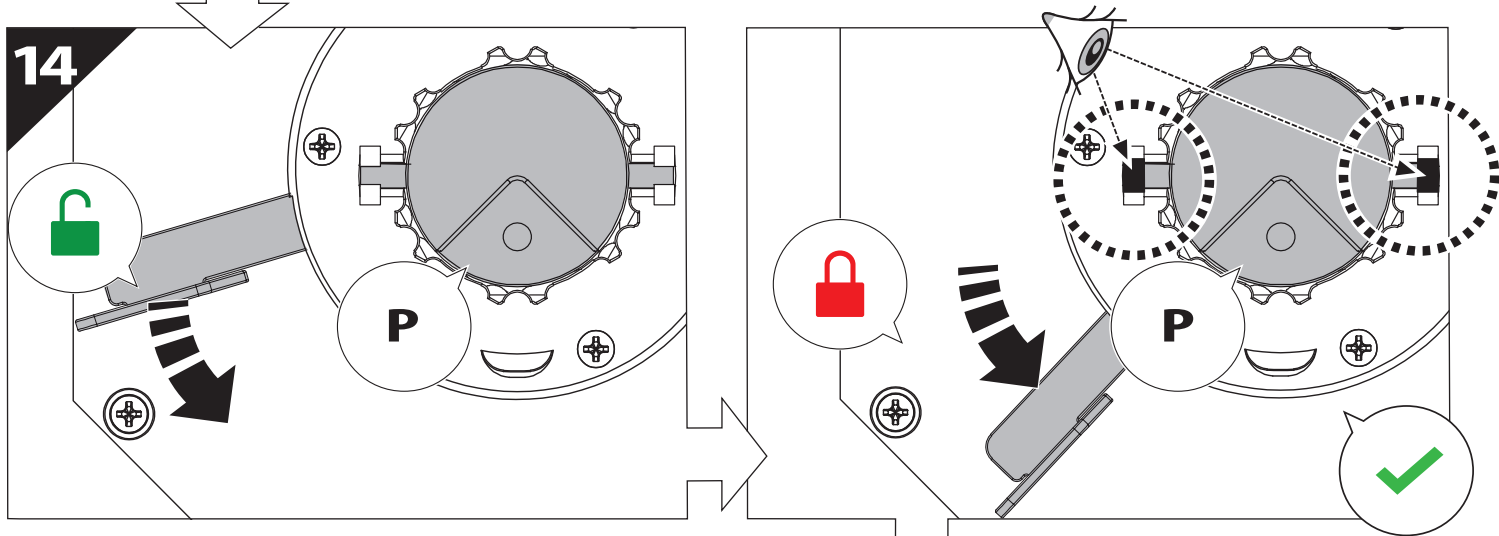
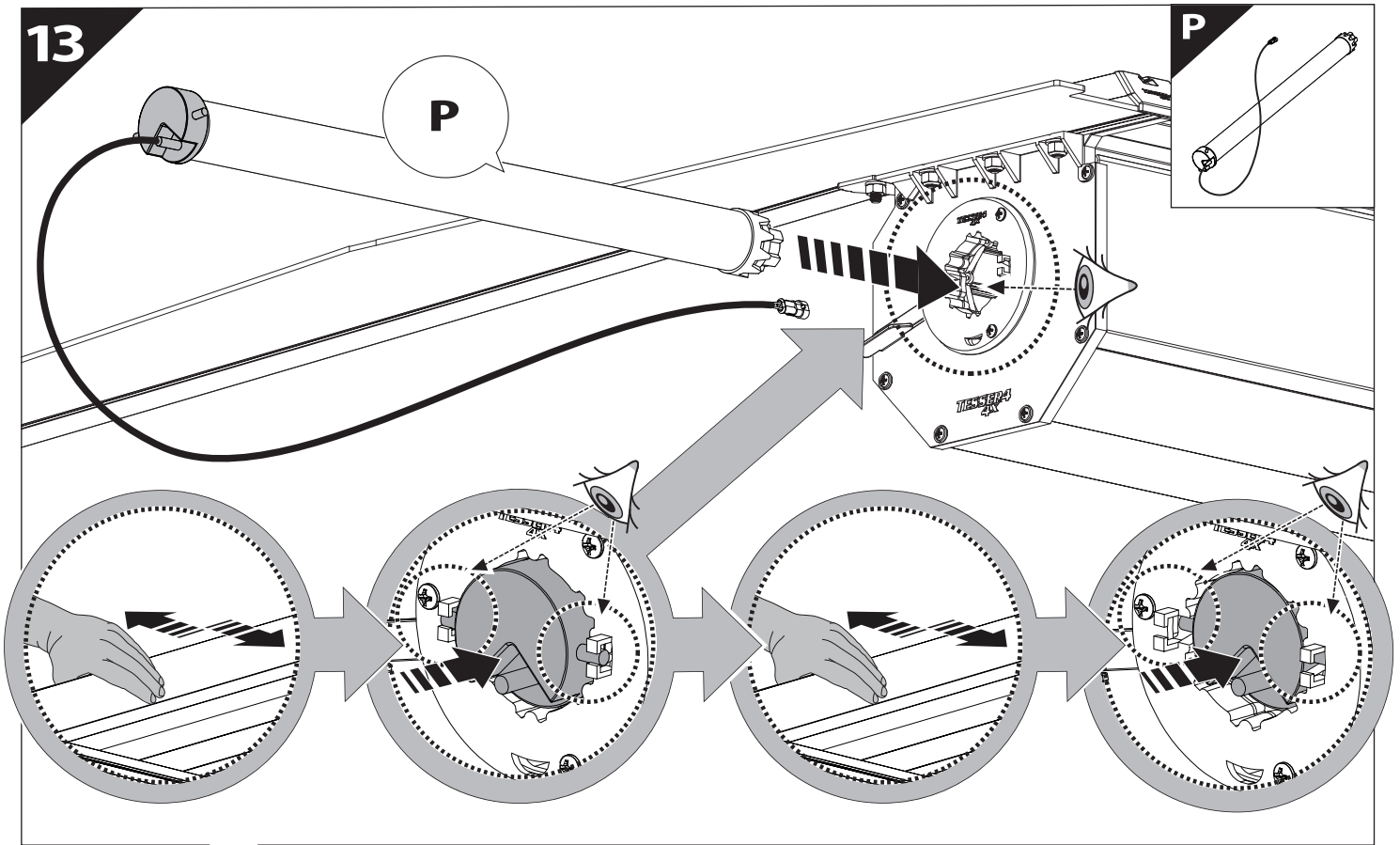
8

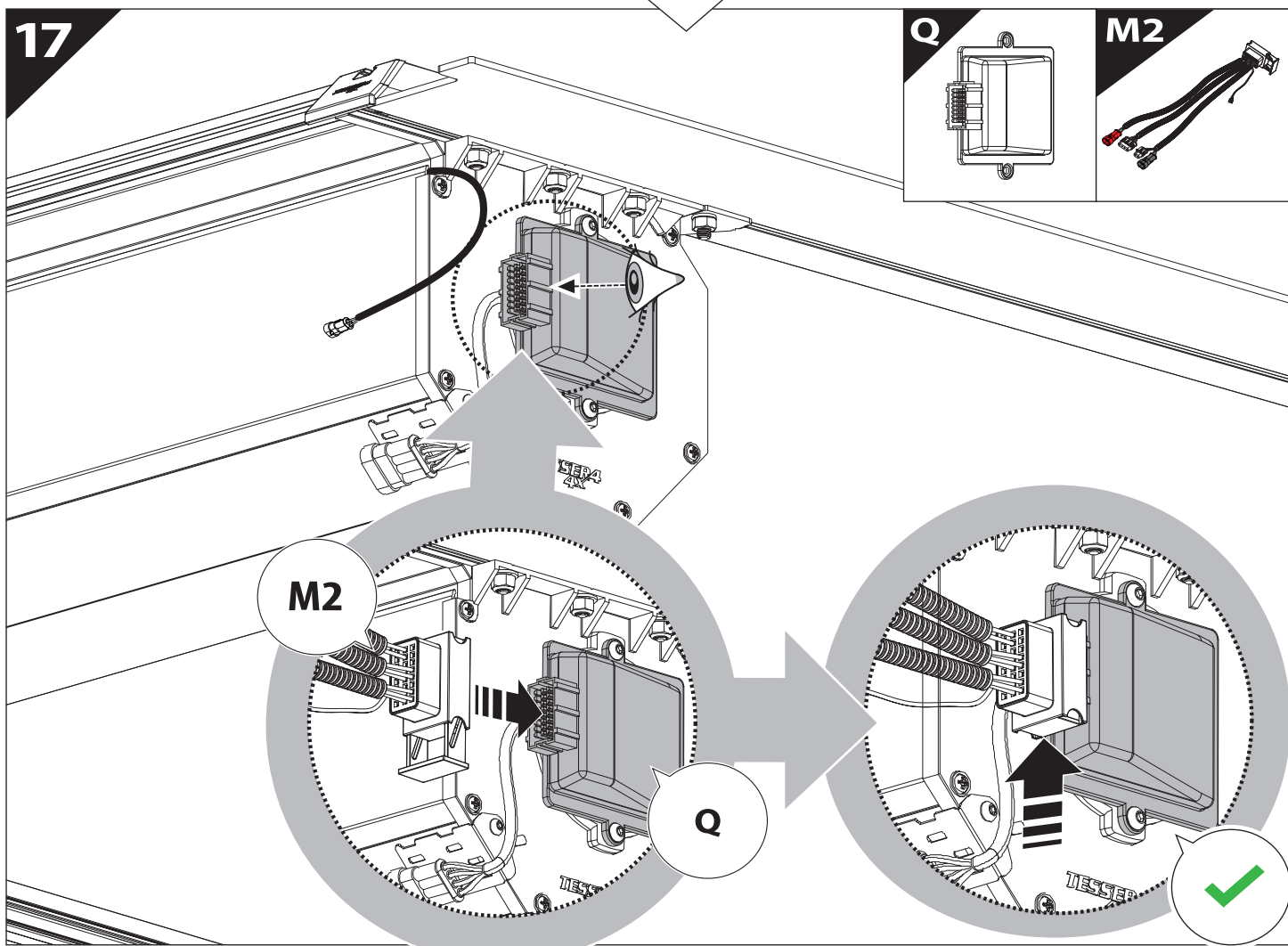
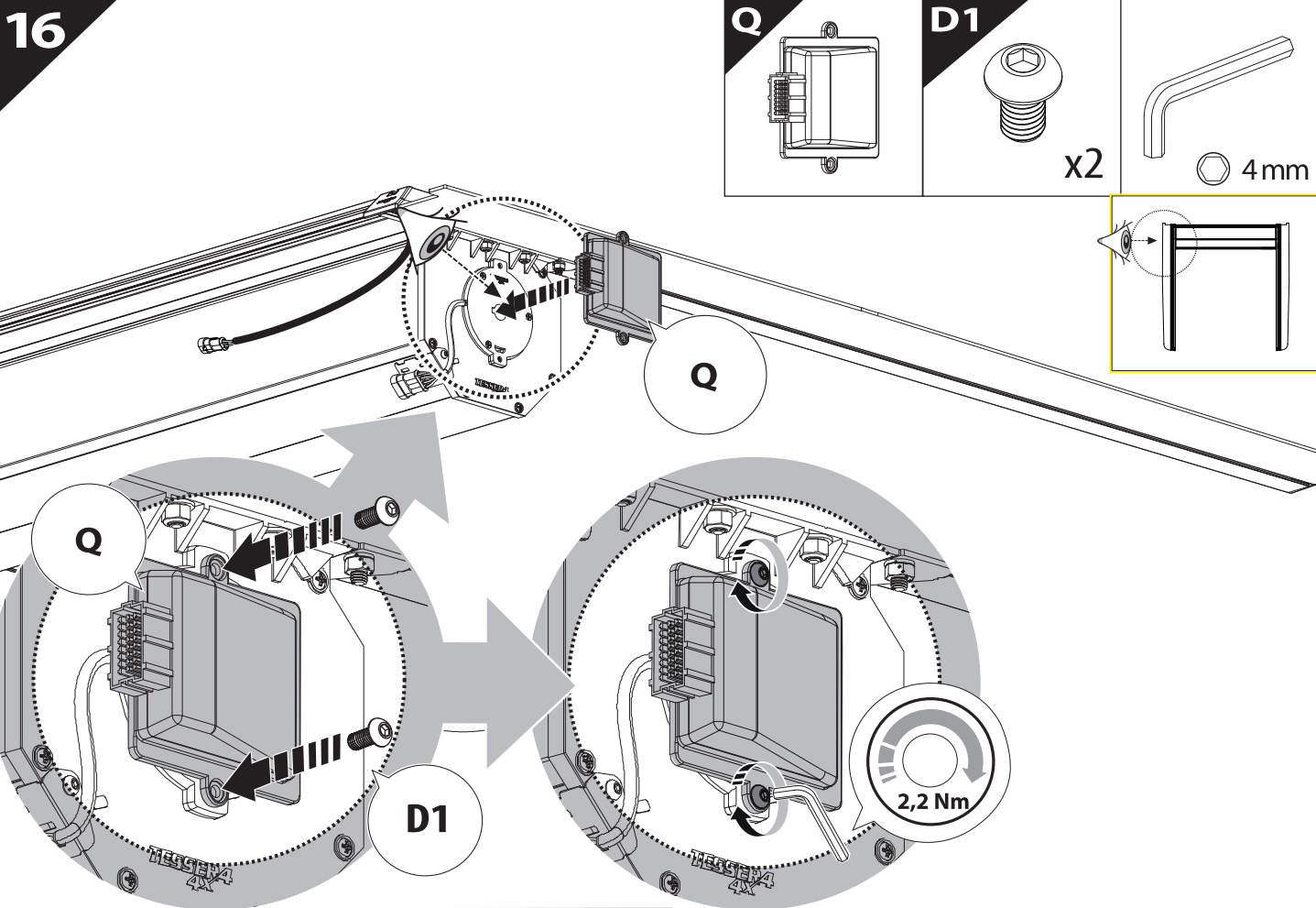


9

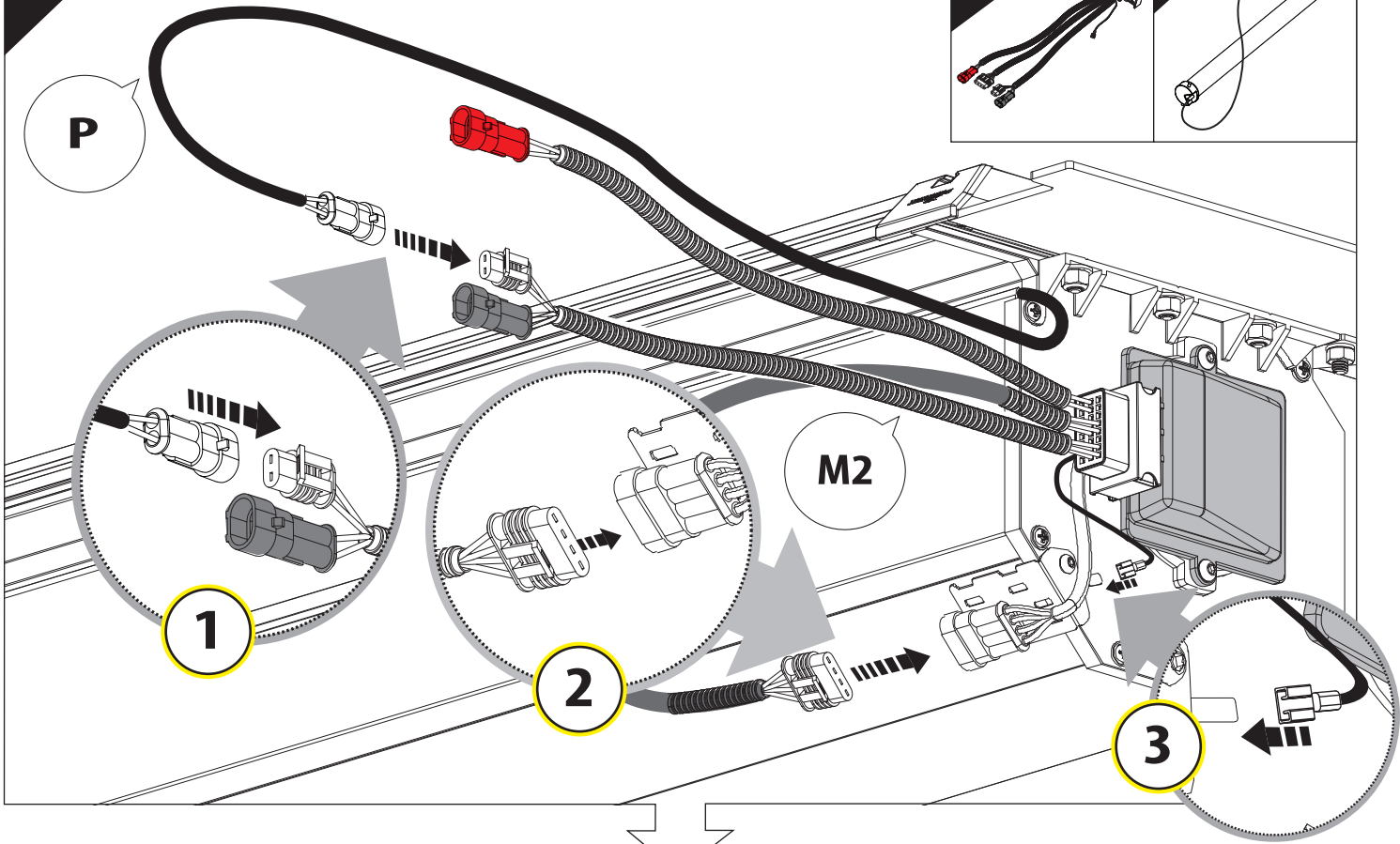
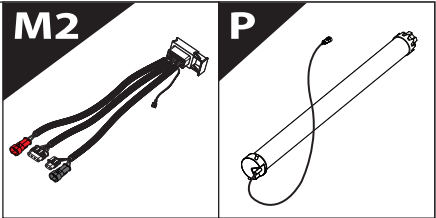




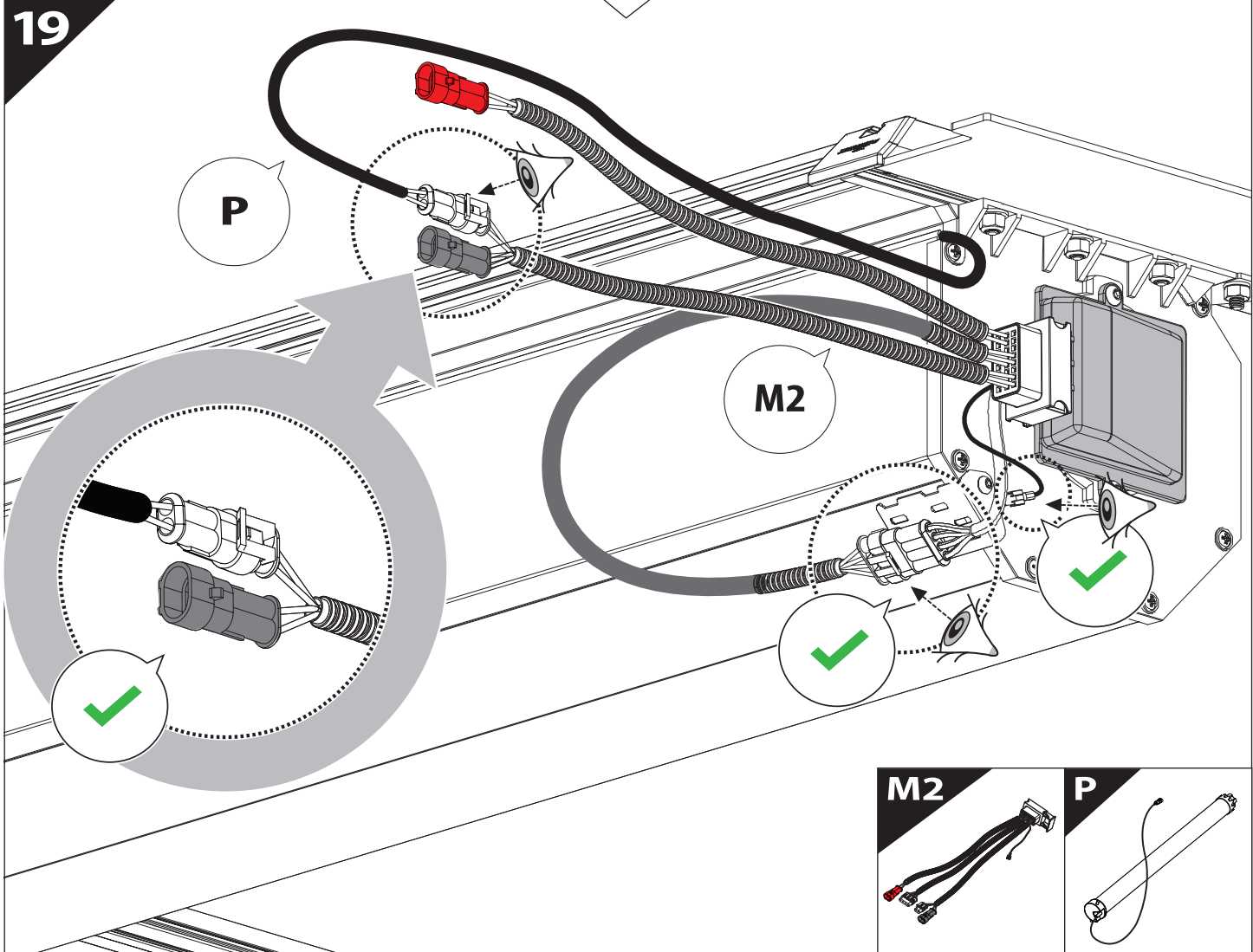
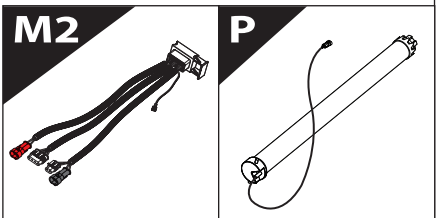




18

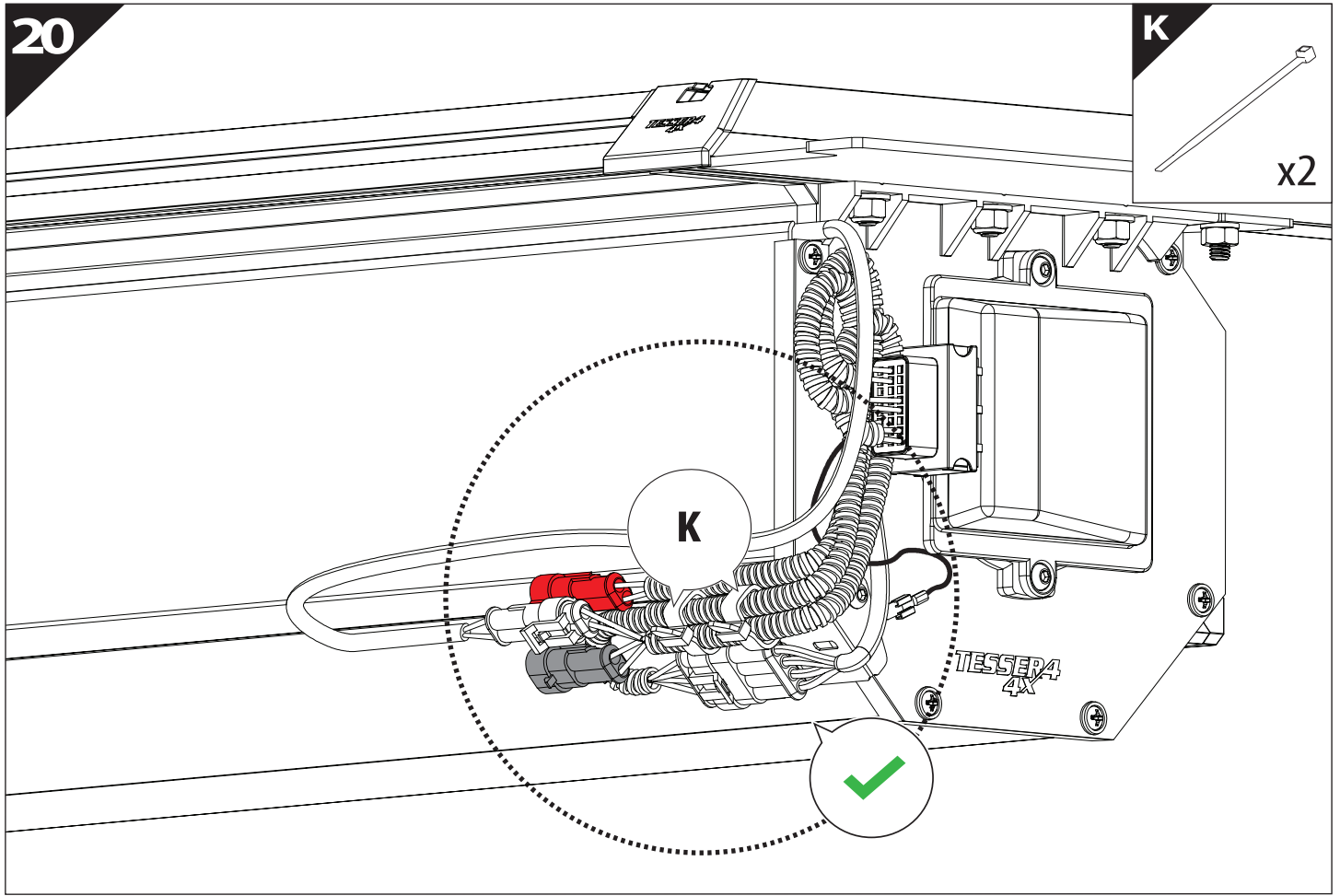


19

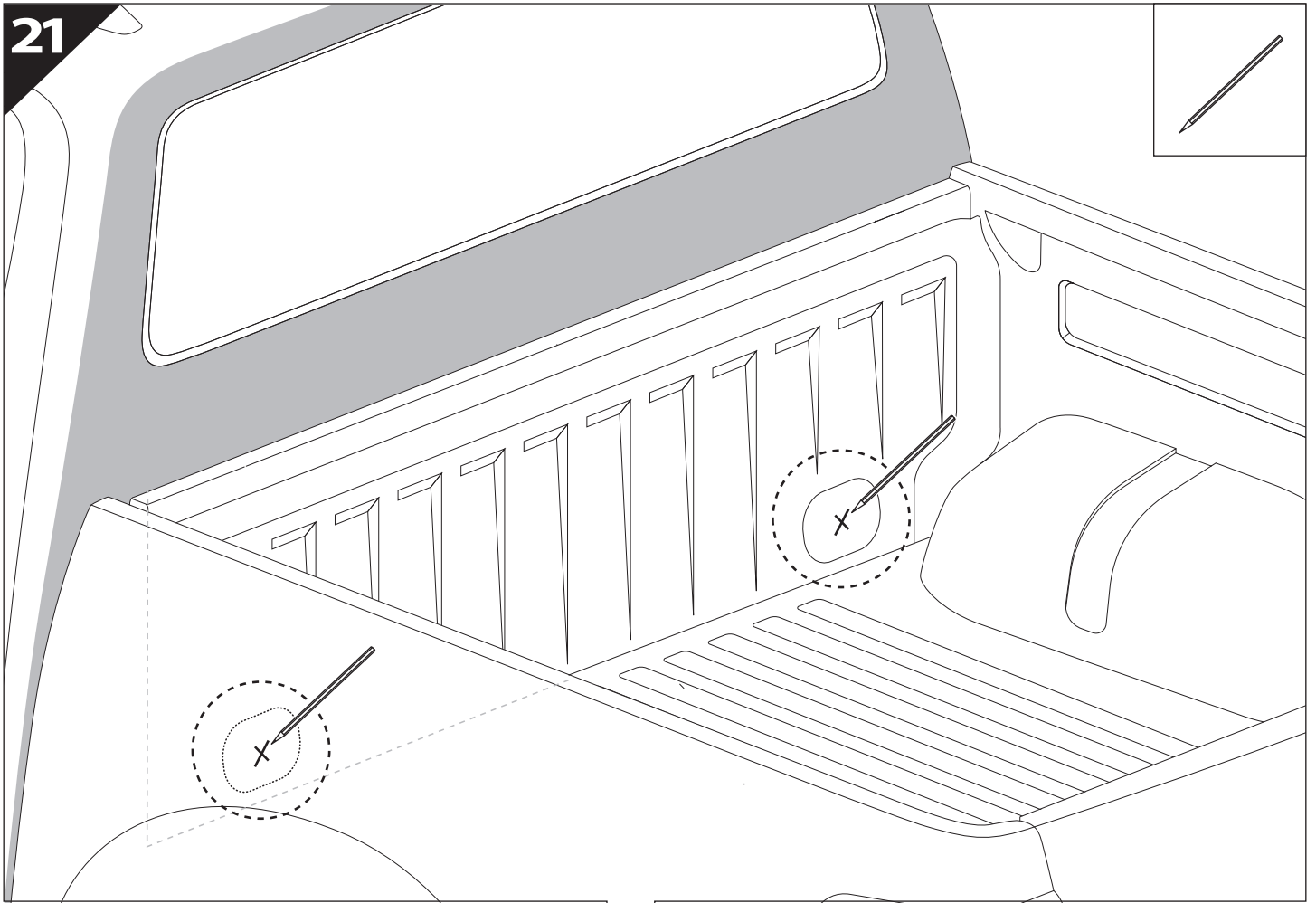


20

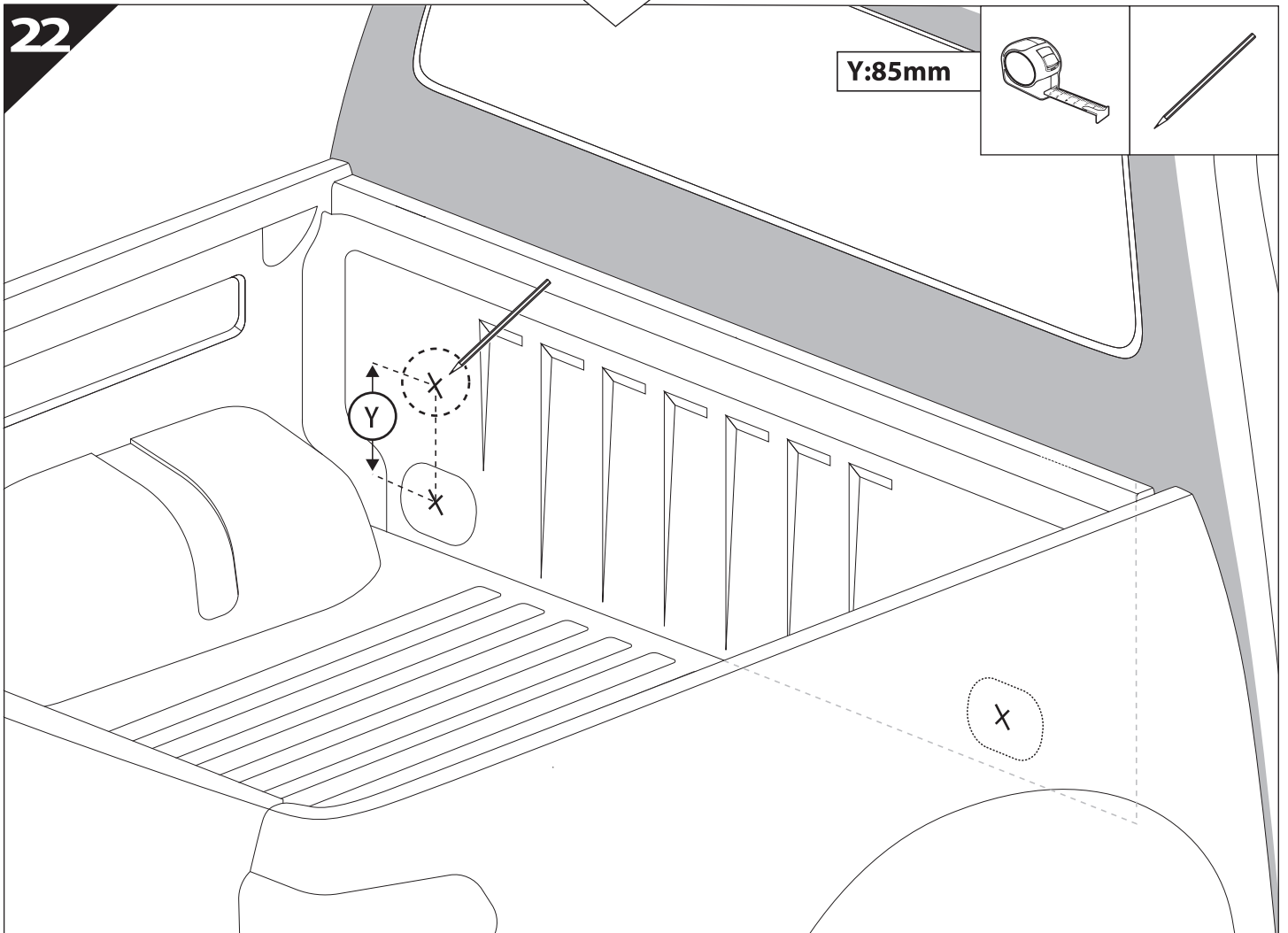
K

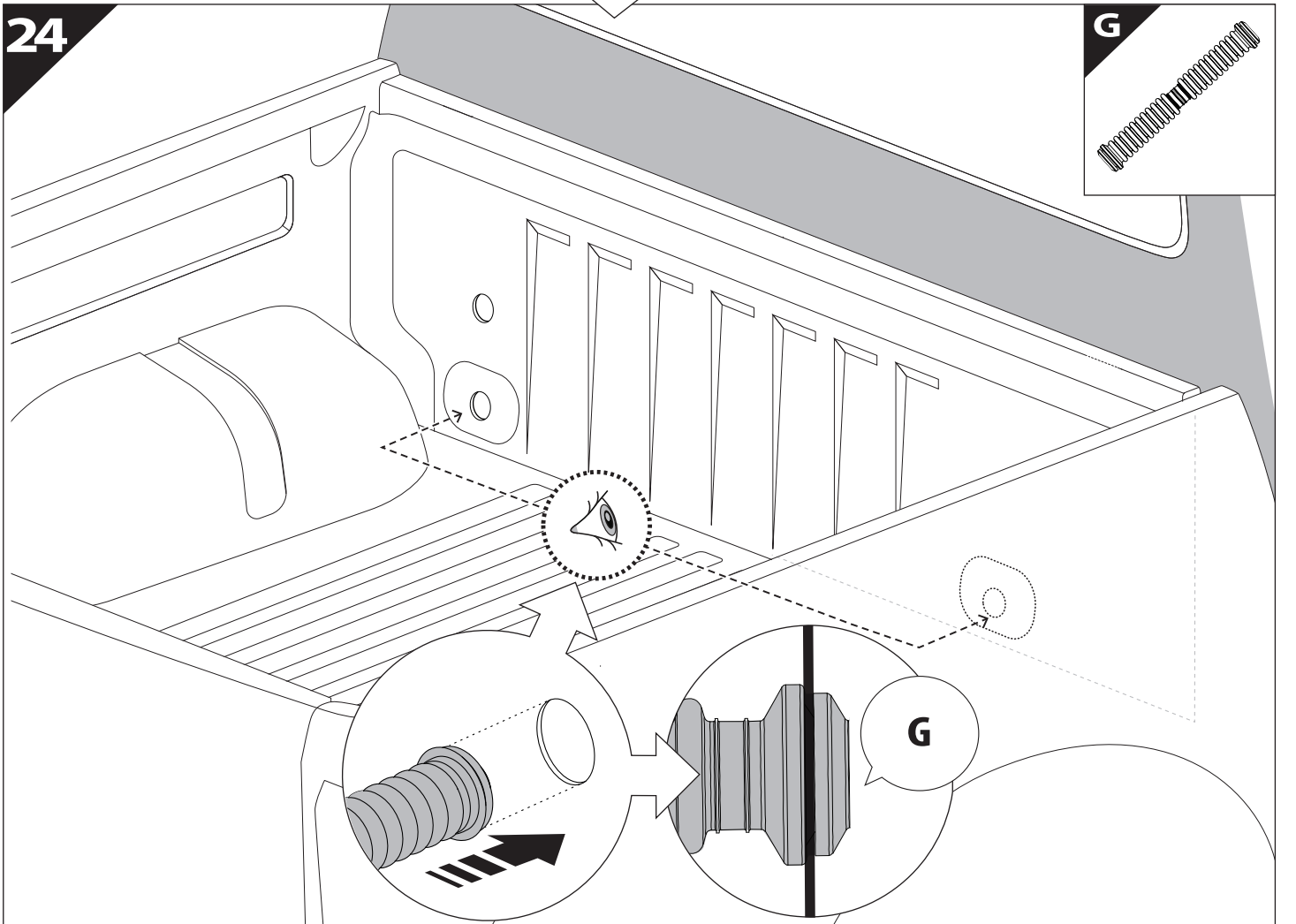
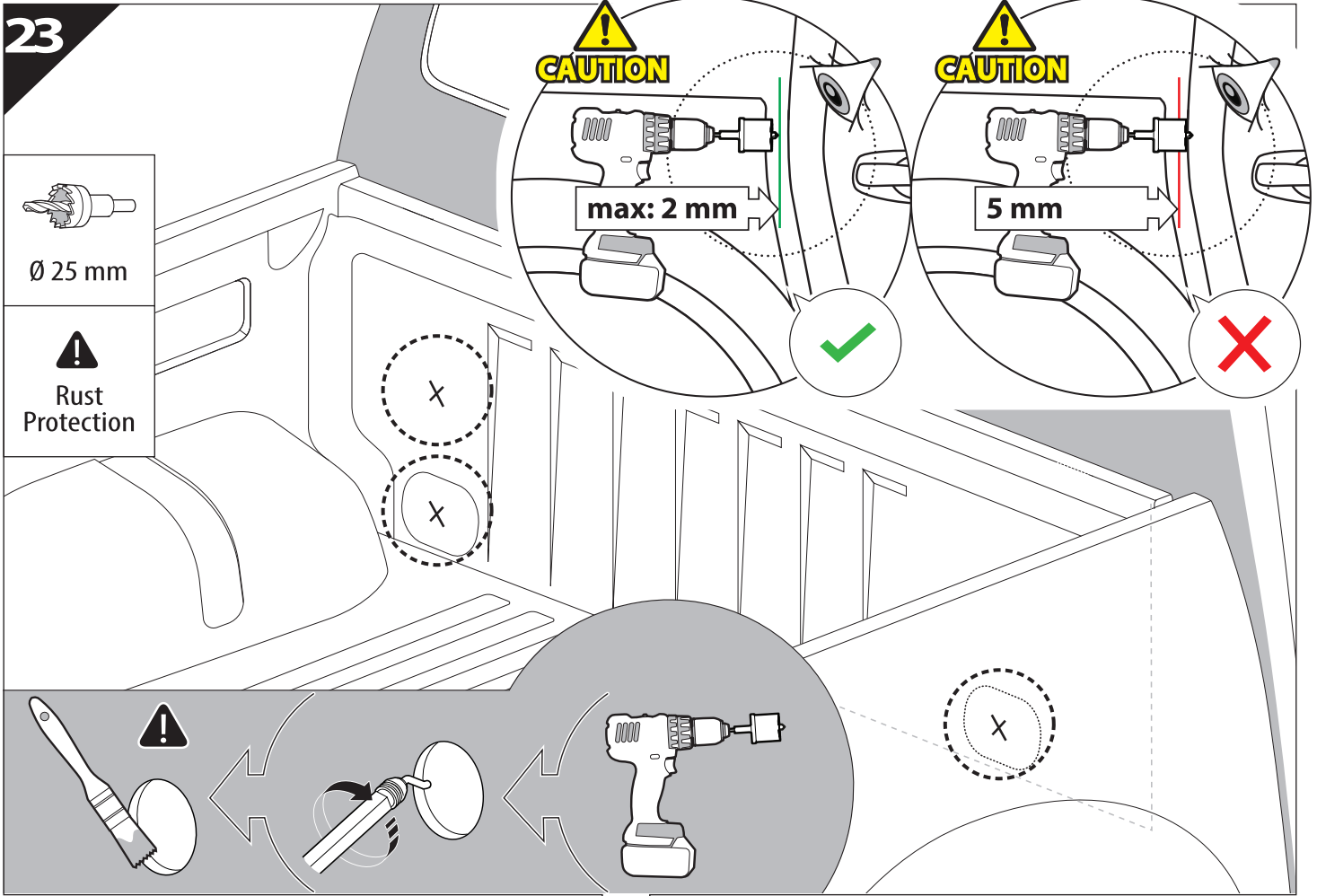


21

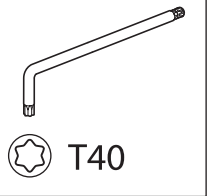


22

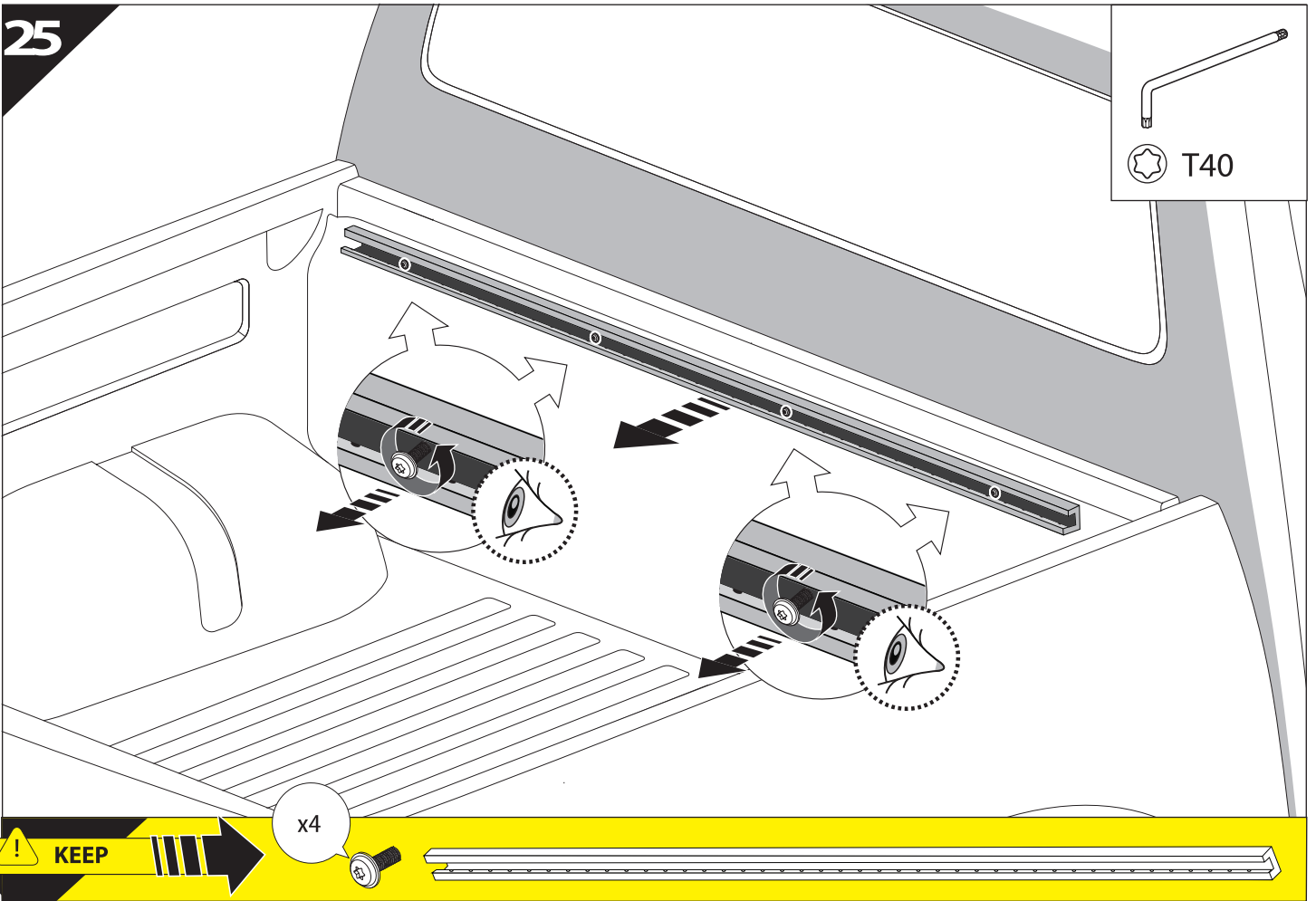




25

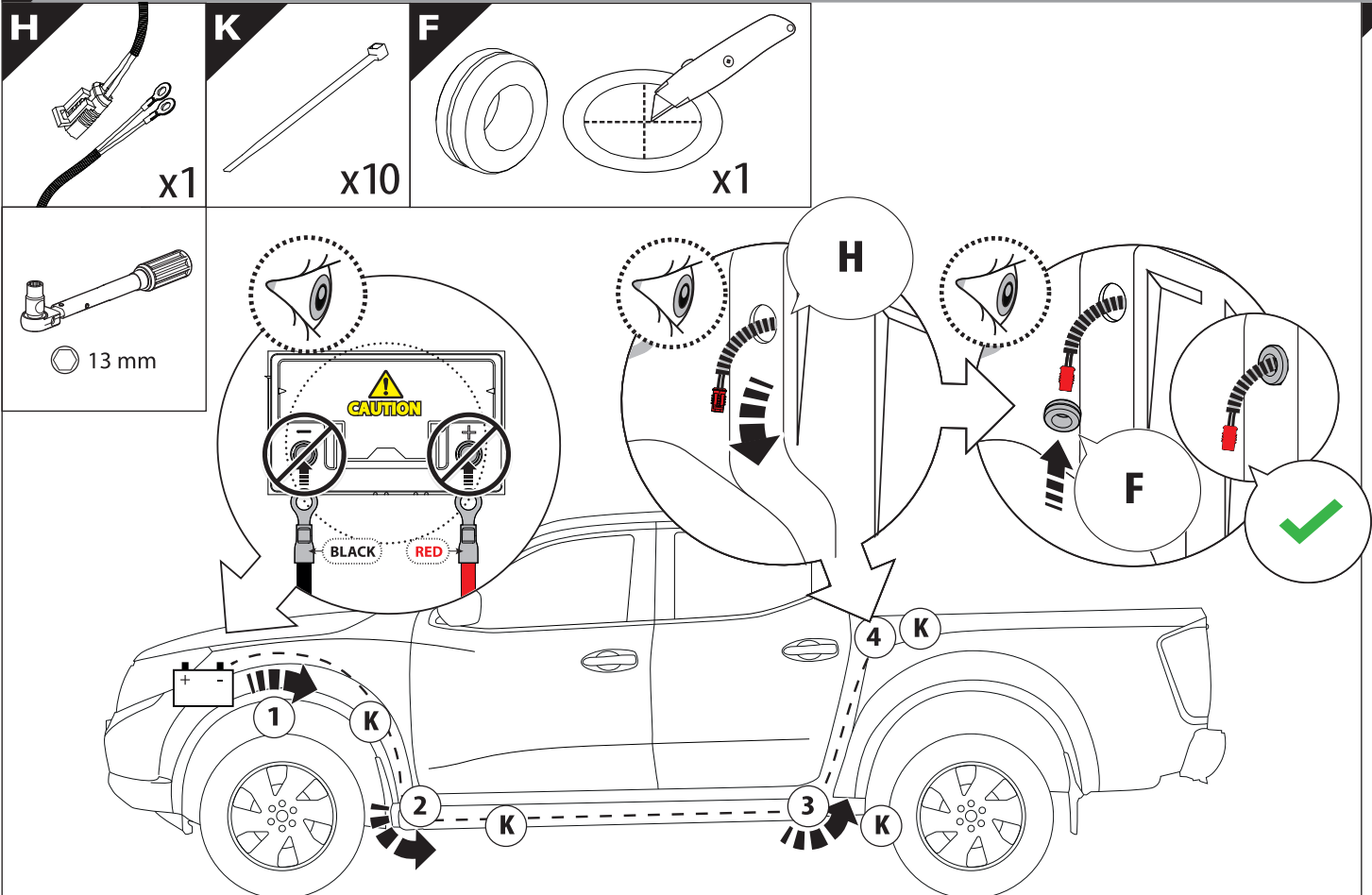


T40

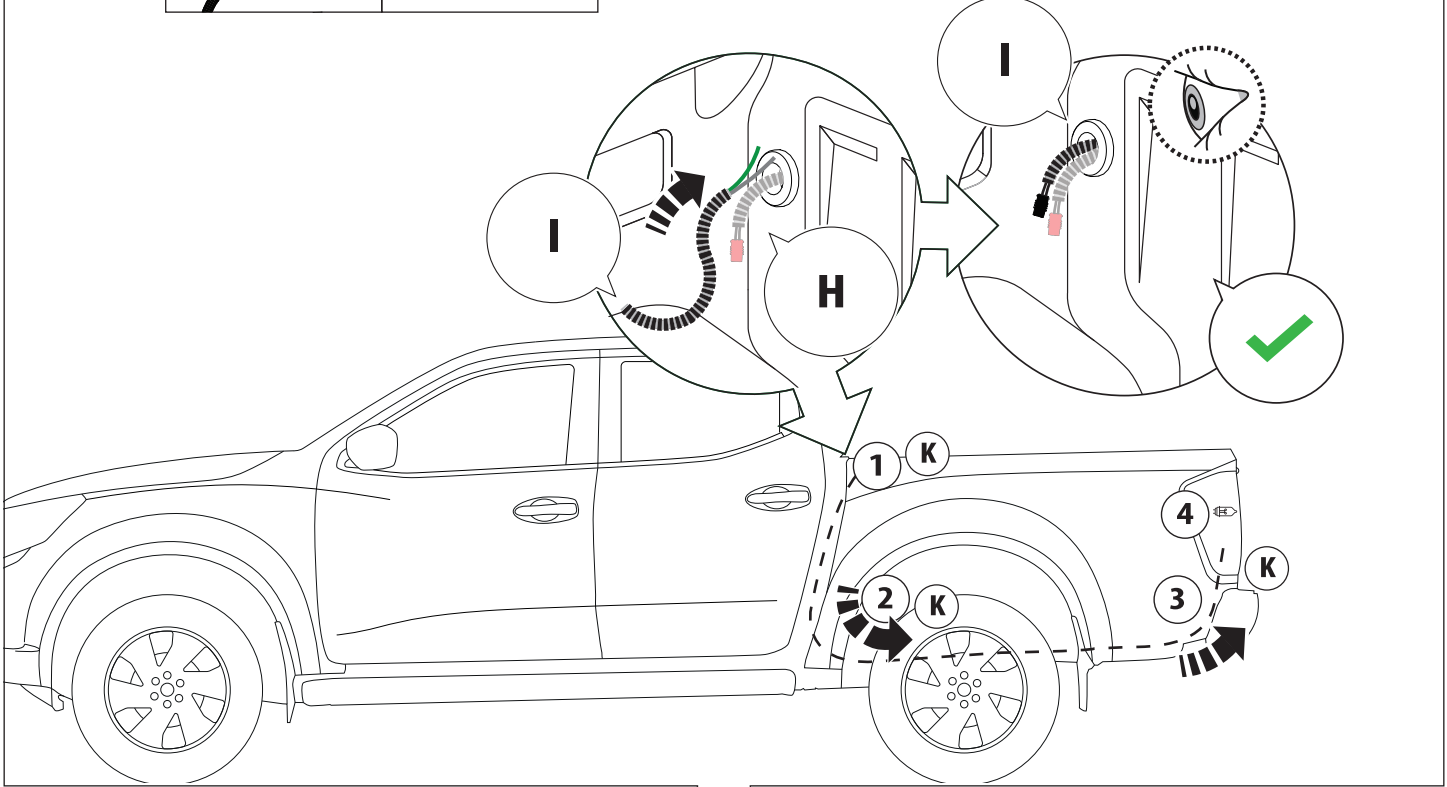
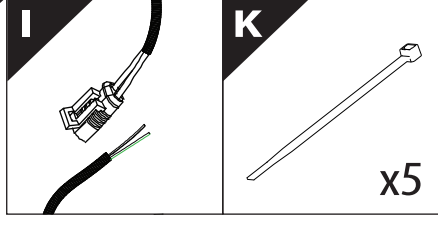


26

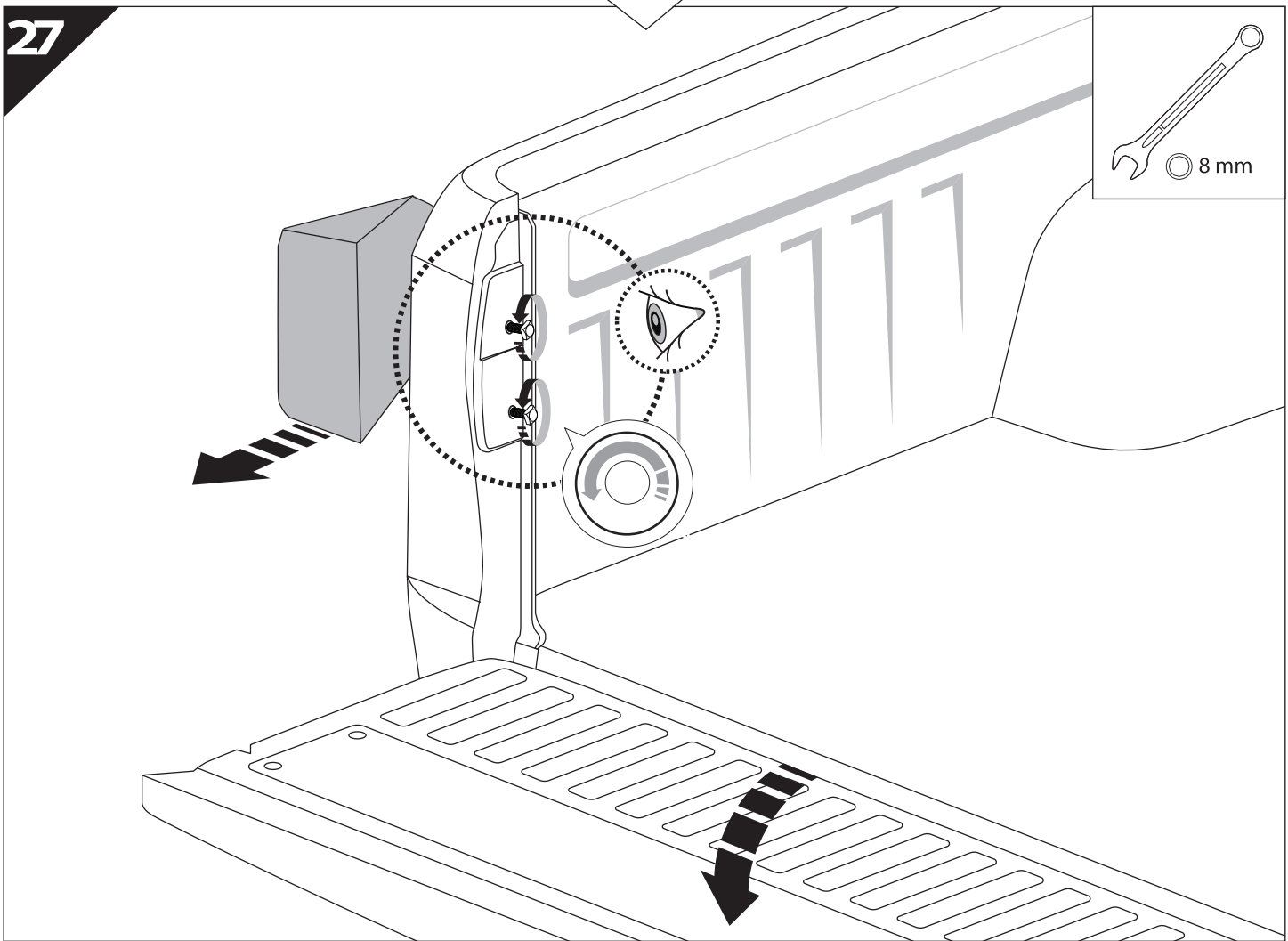
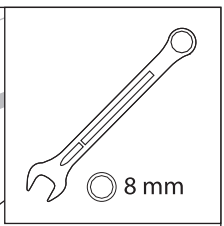
Only to be installed by authorized personnel



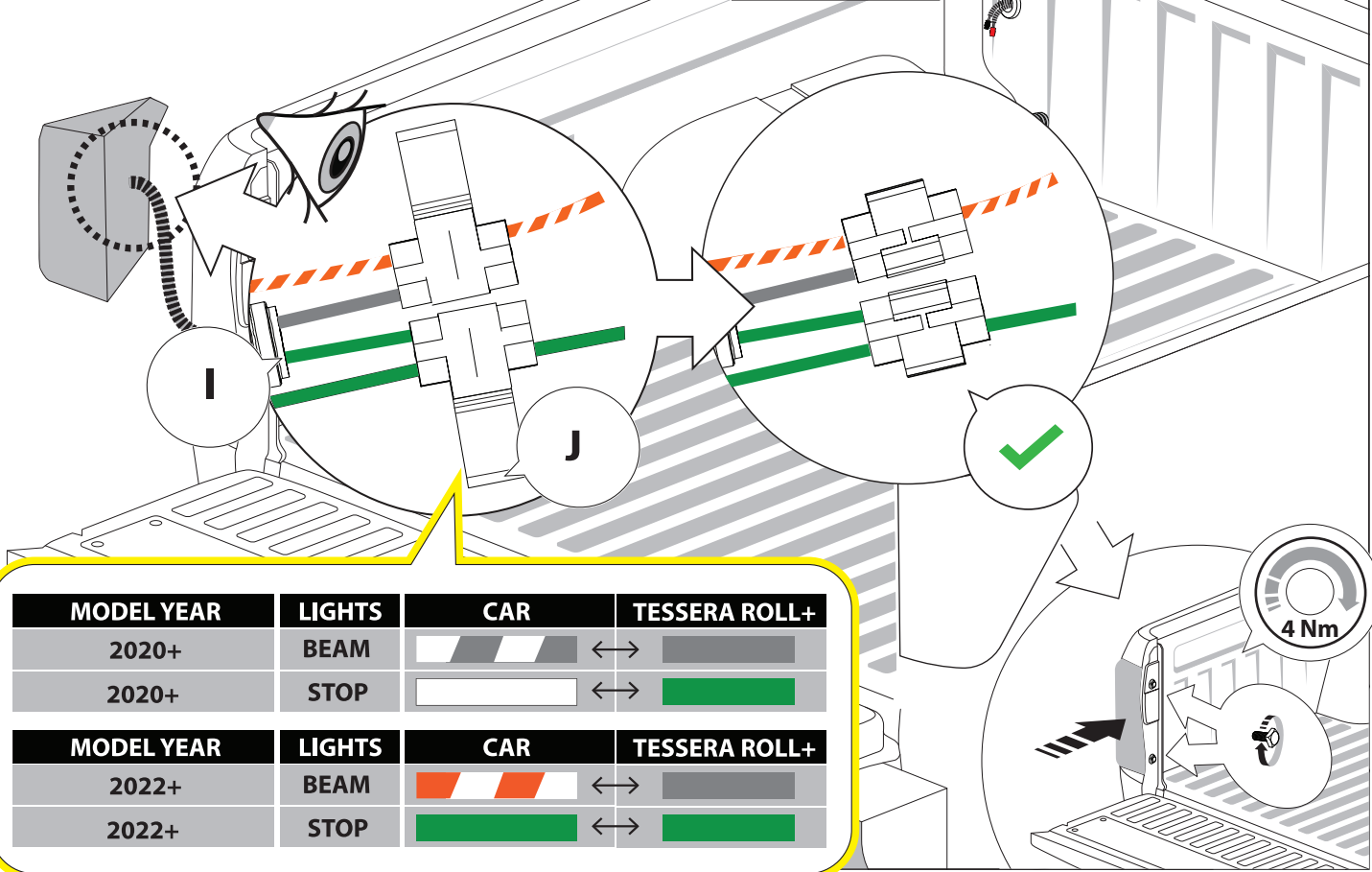
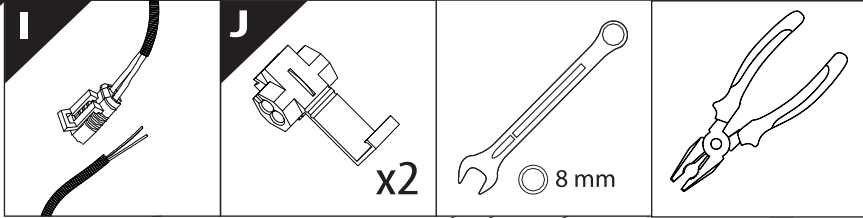
26.1



27

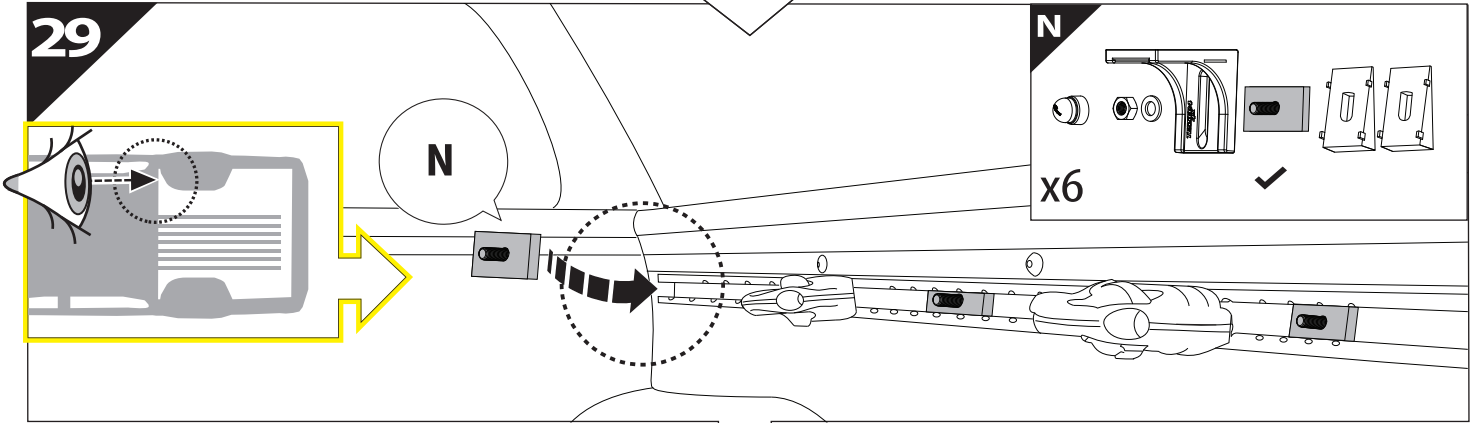


28

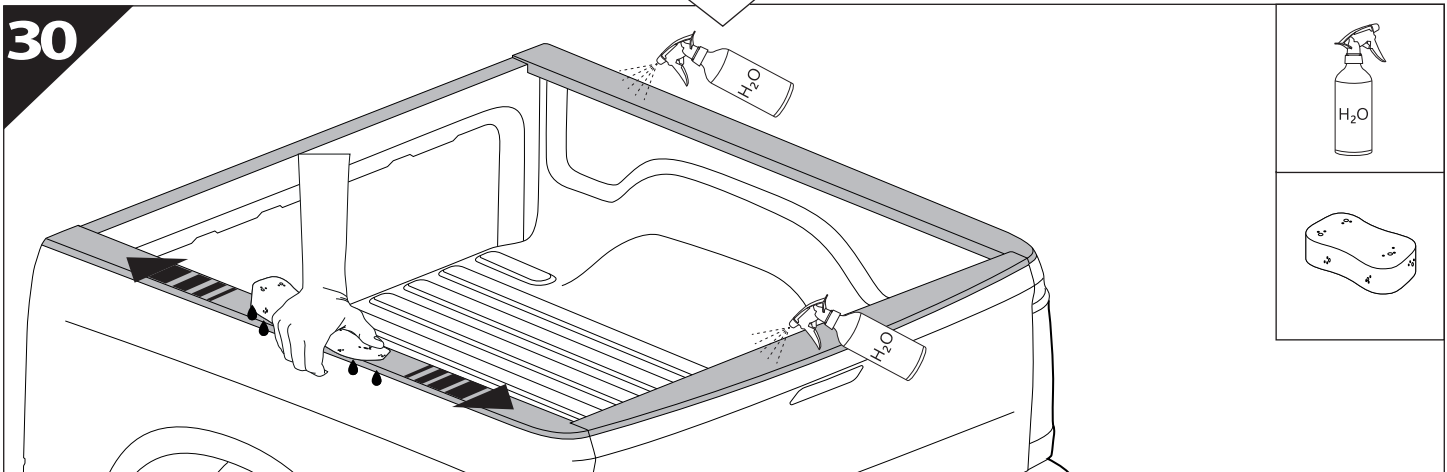


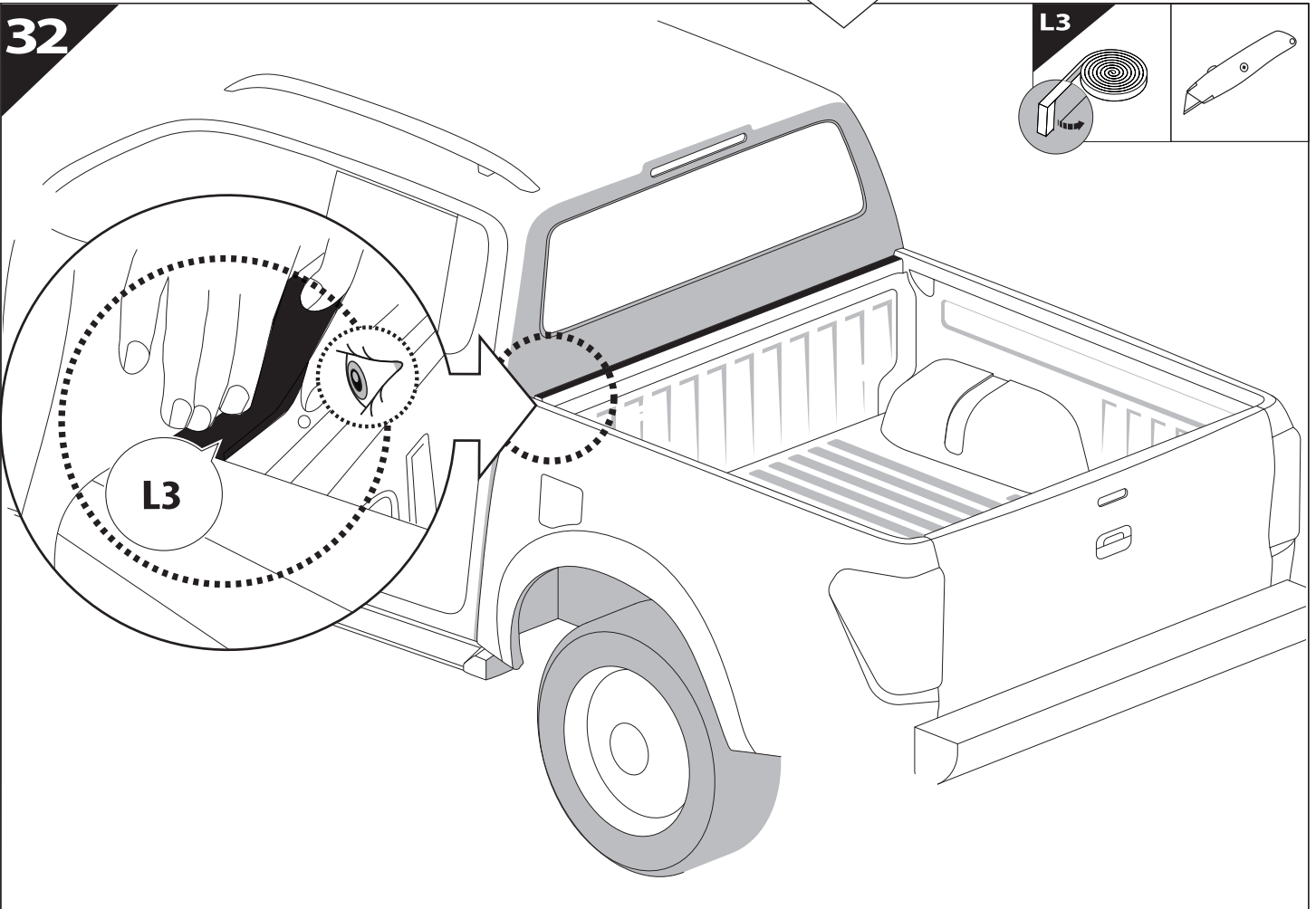
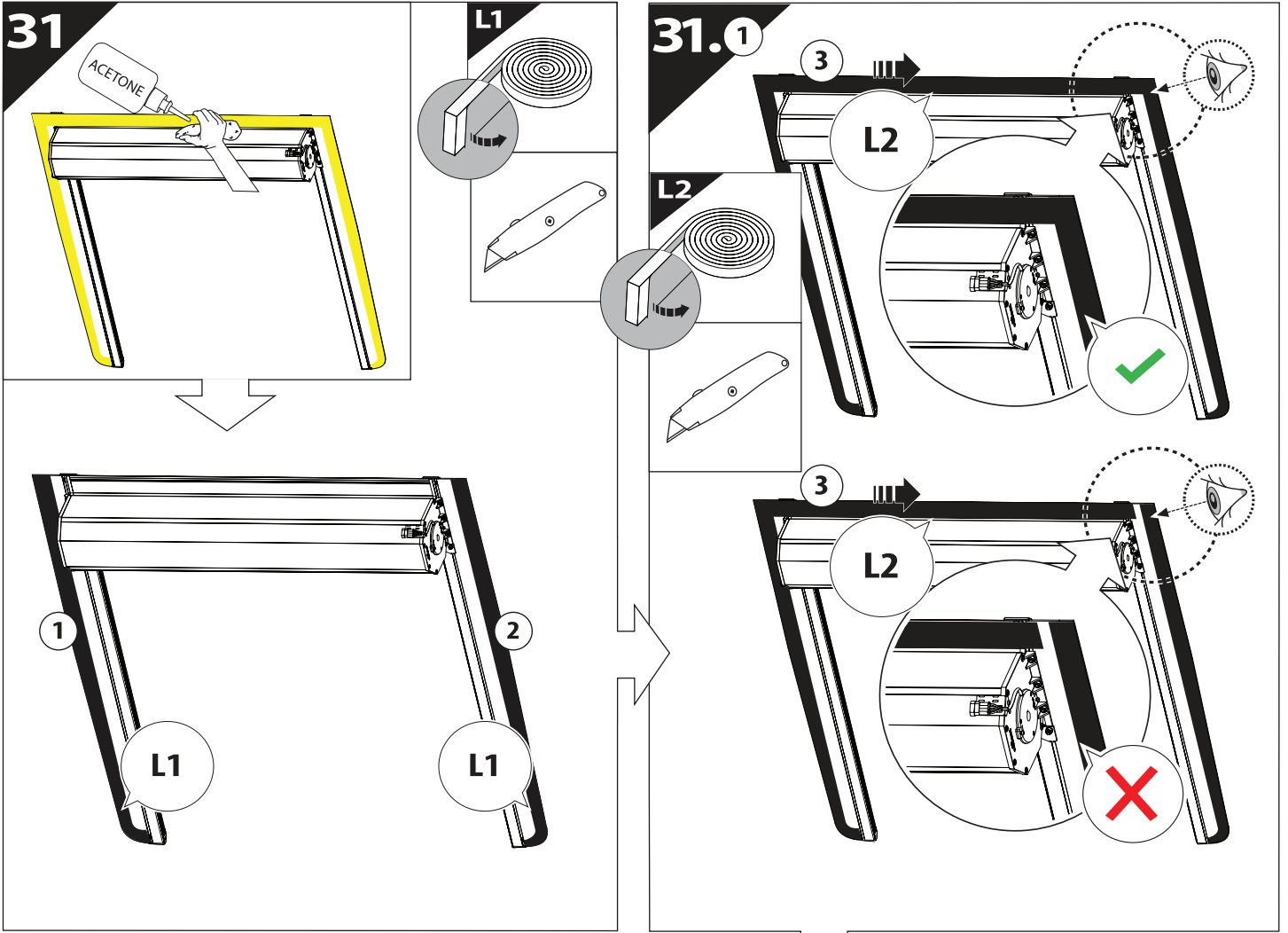
MODEL YEAR	LIGHTS	CAR	TESSERA ROLL+
2020+	BEAM		
2020+	STOP		
MODEL YEAR	LIGHTS	CAR	TESSERA ROLL+
2022+	BEAM		
2022+	STOP		

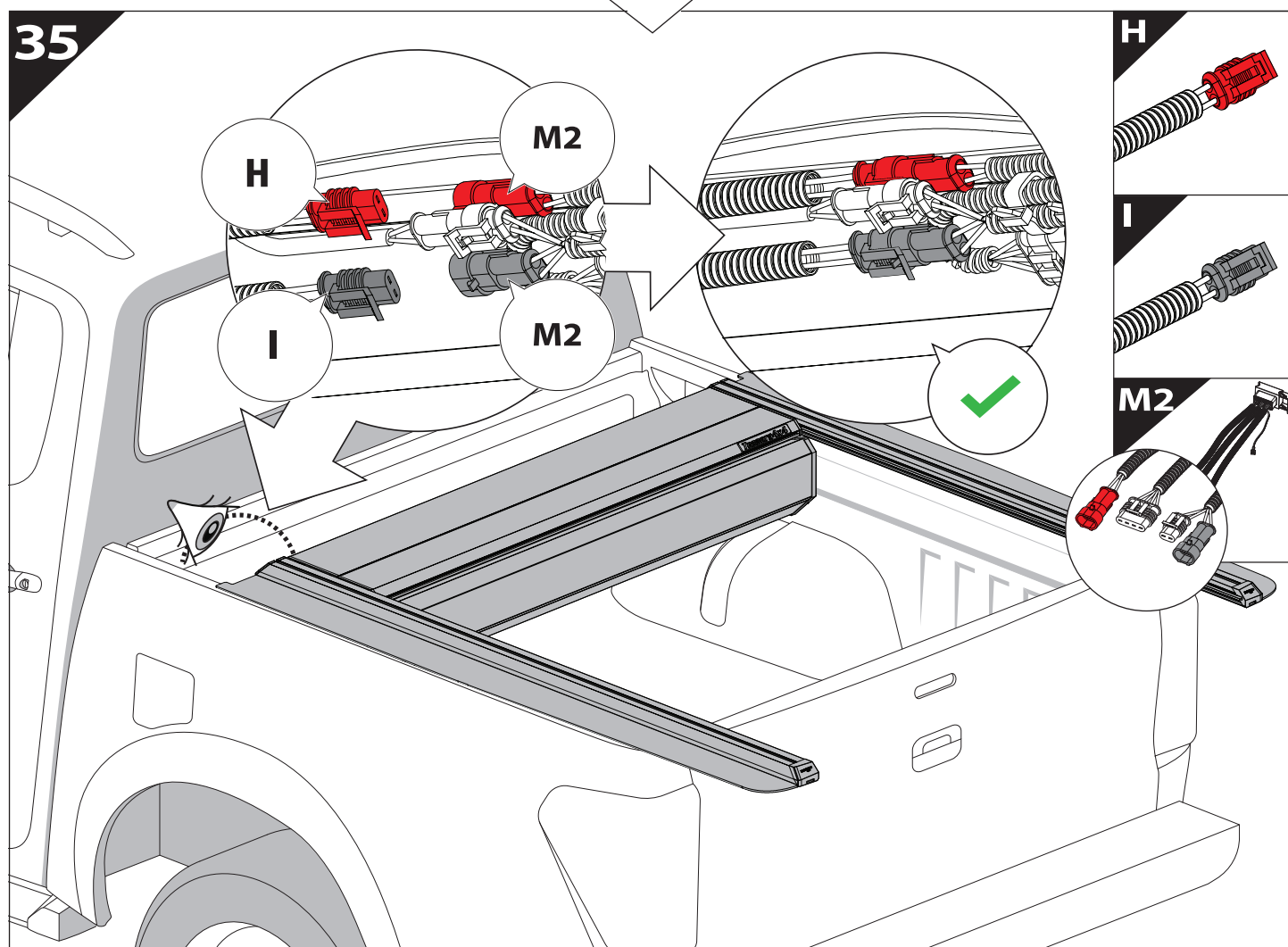
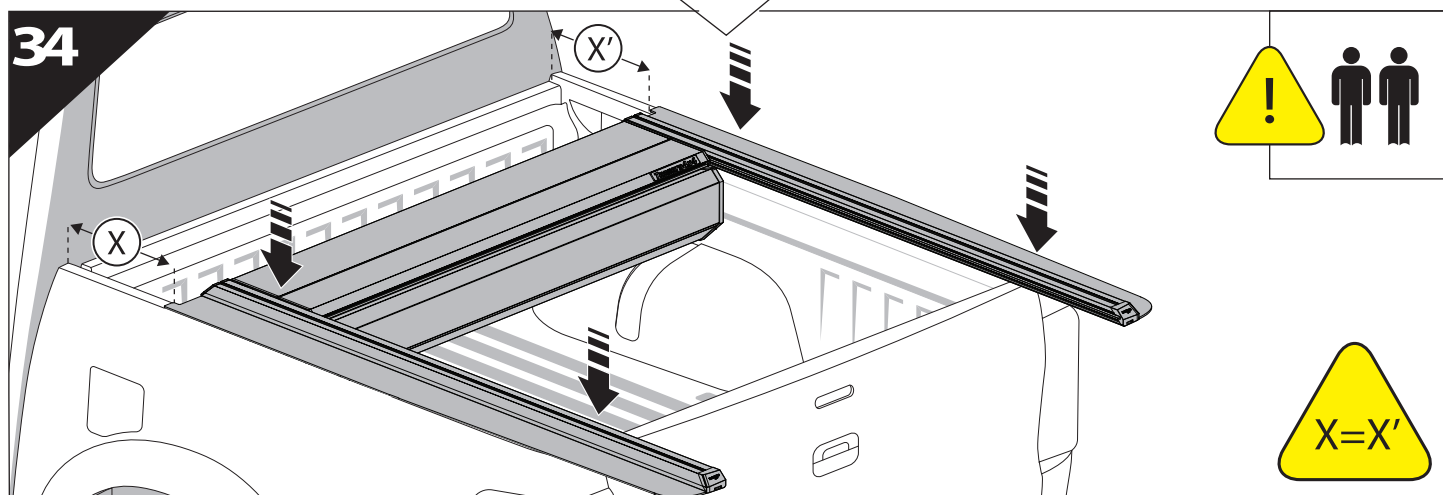
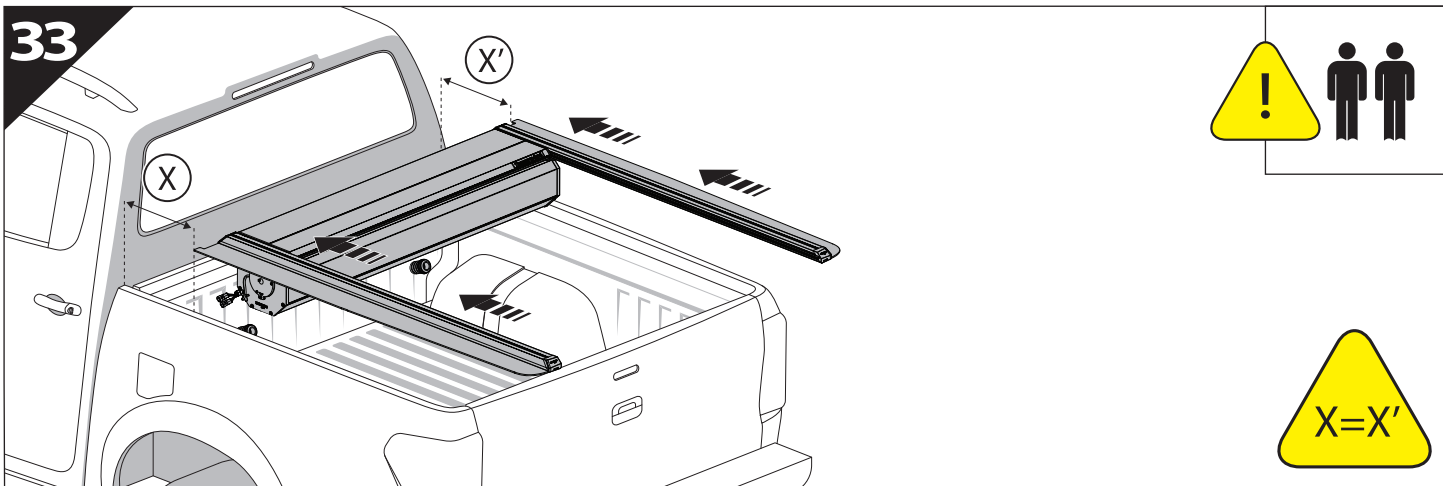
29



30

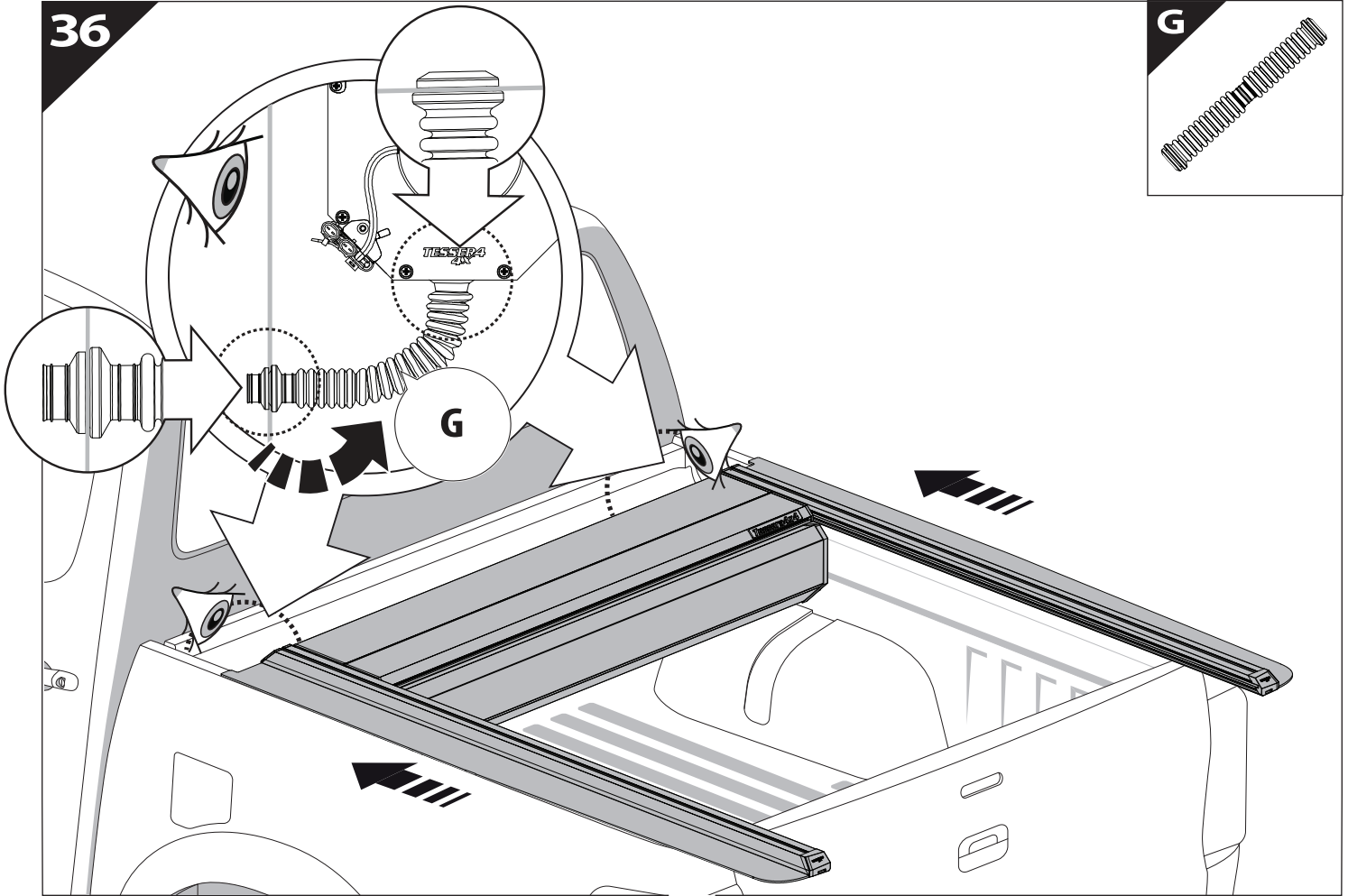




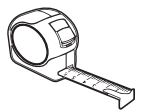
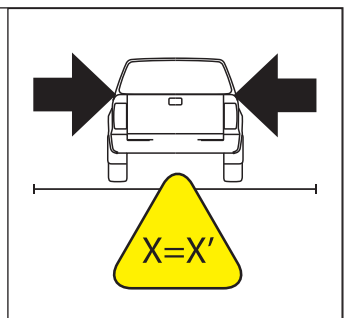
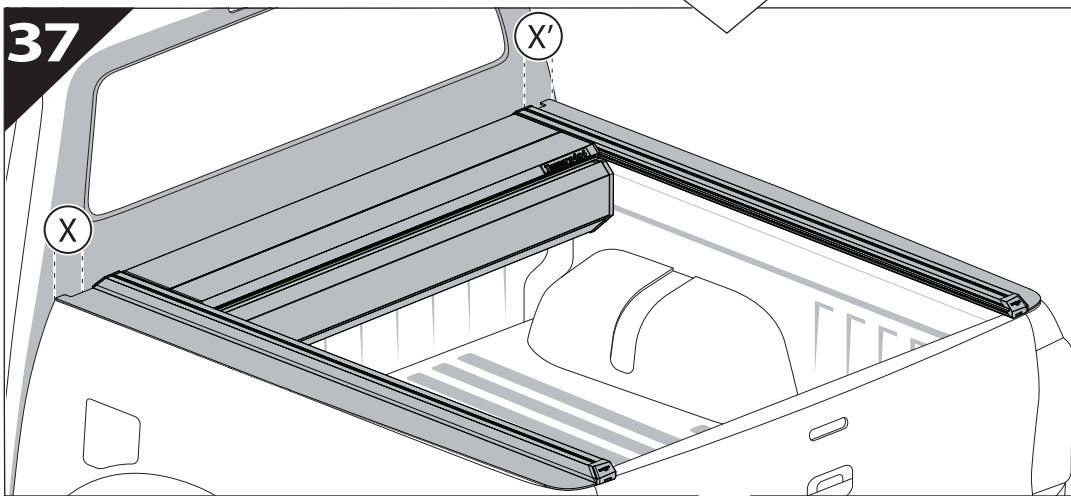


36

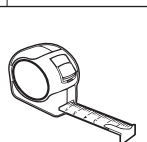
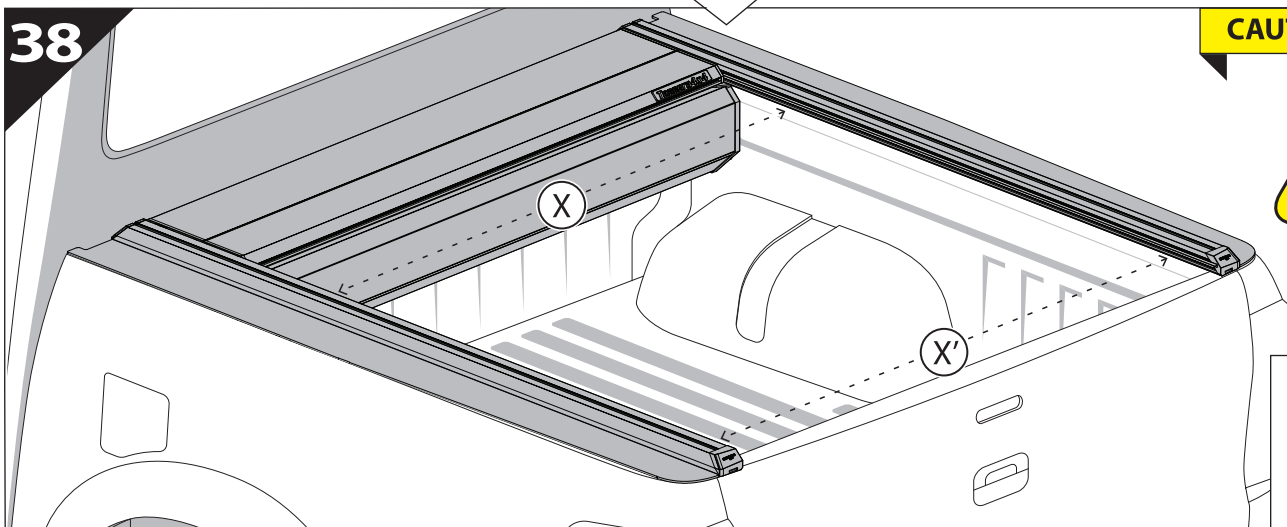
G



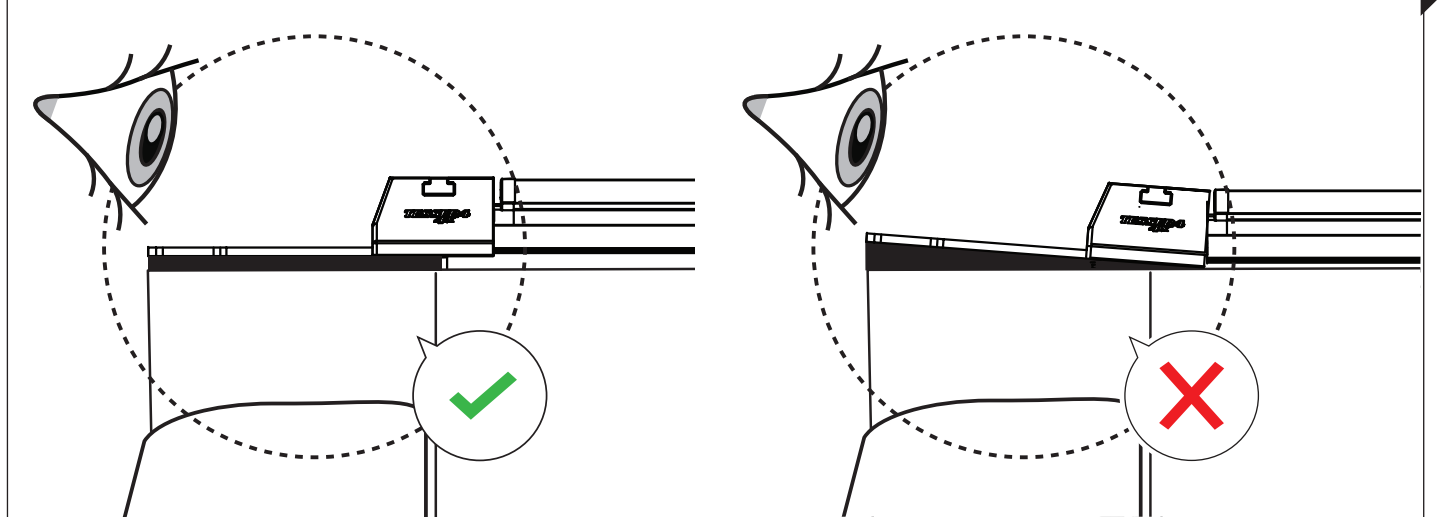
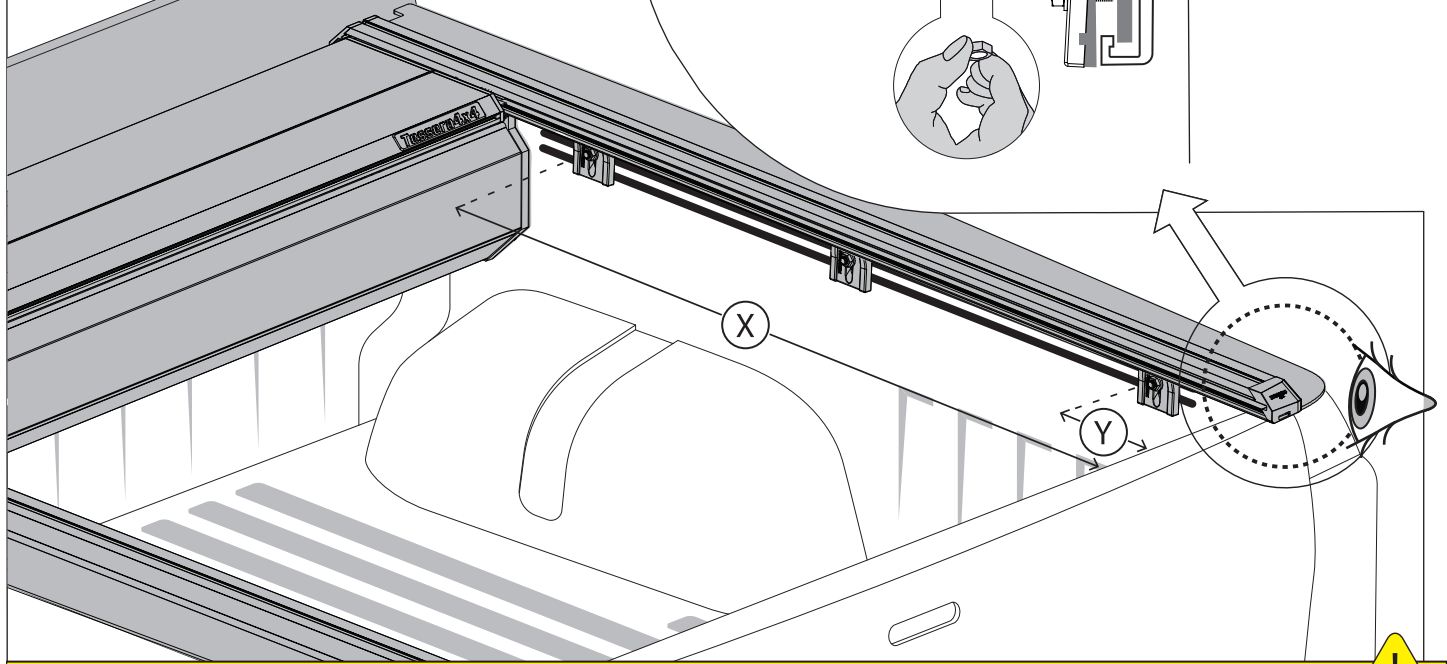
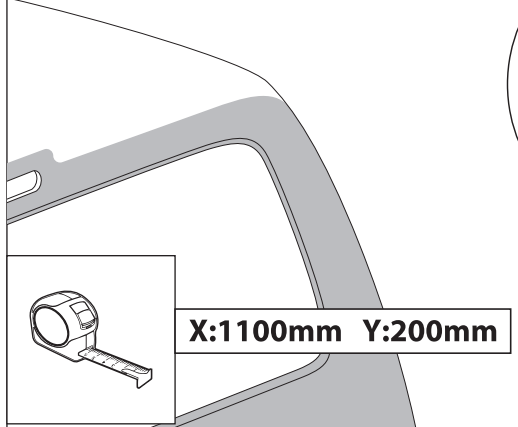
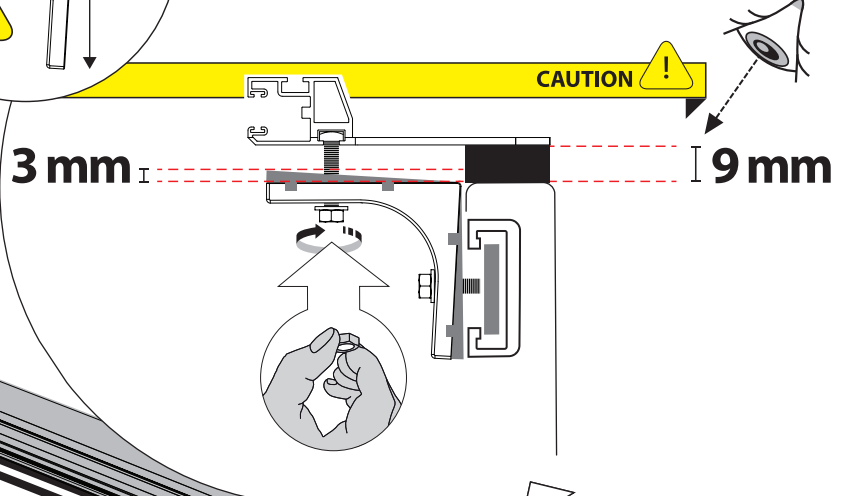
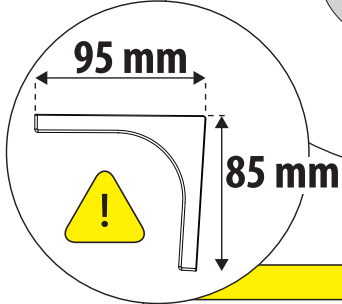
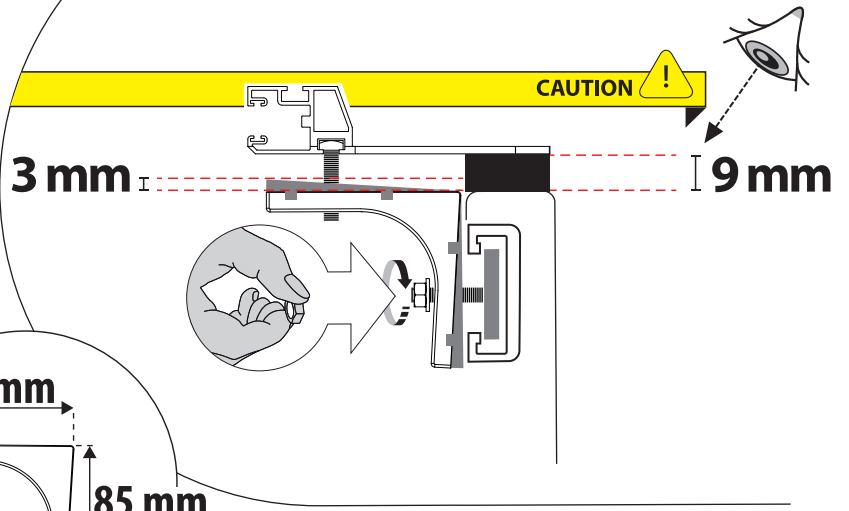
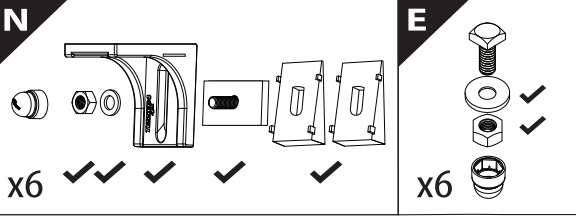
37

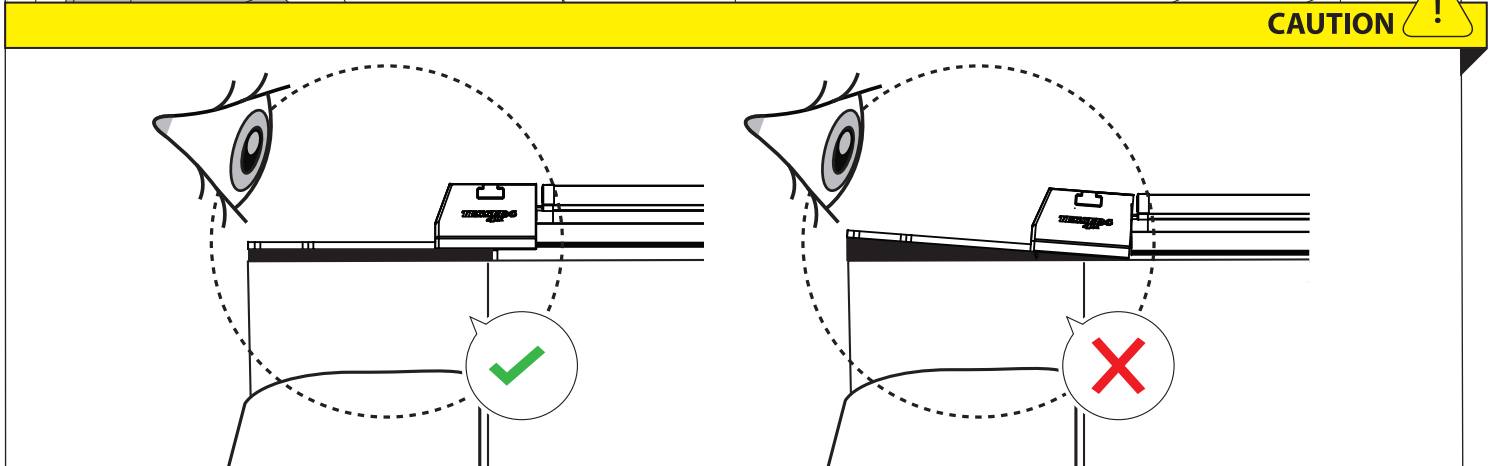
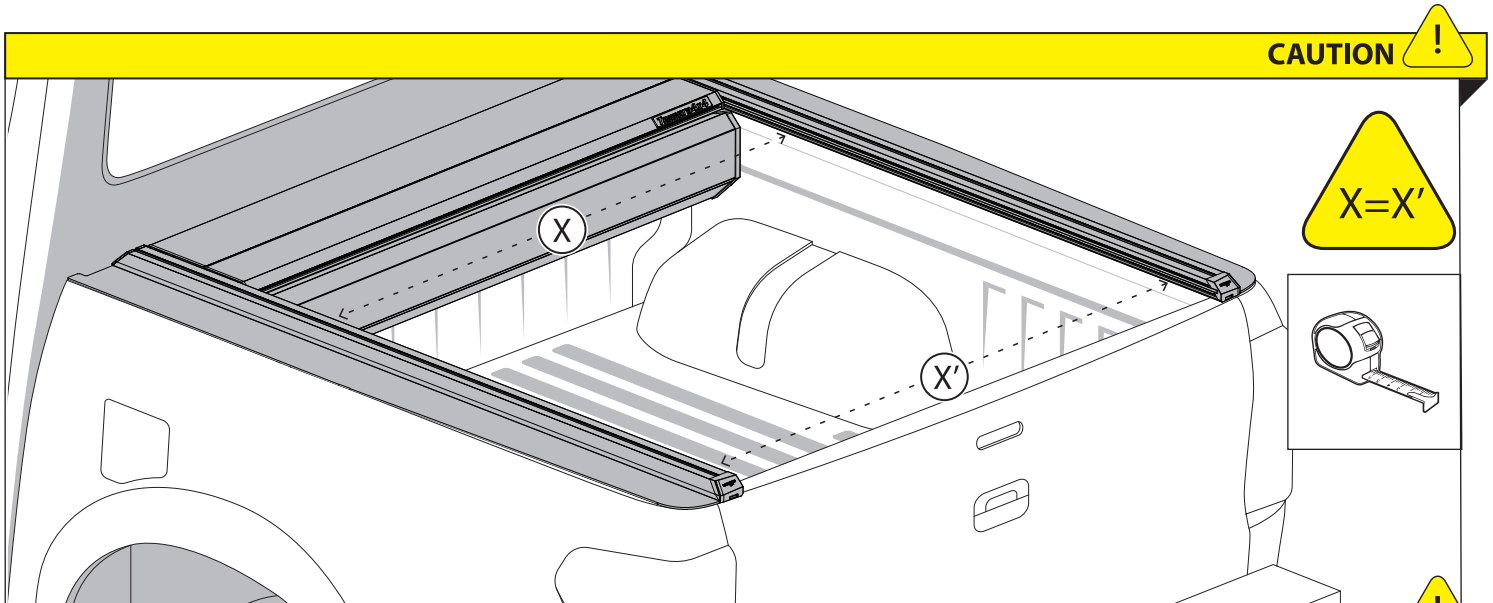
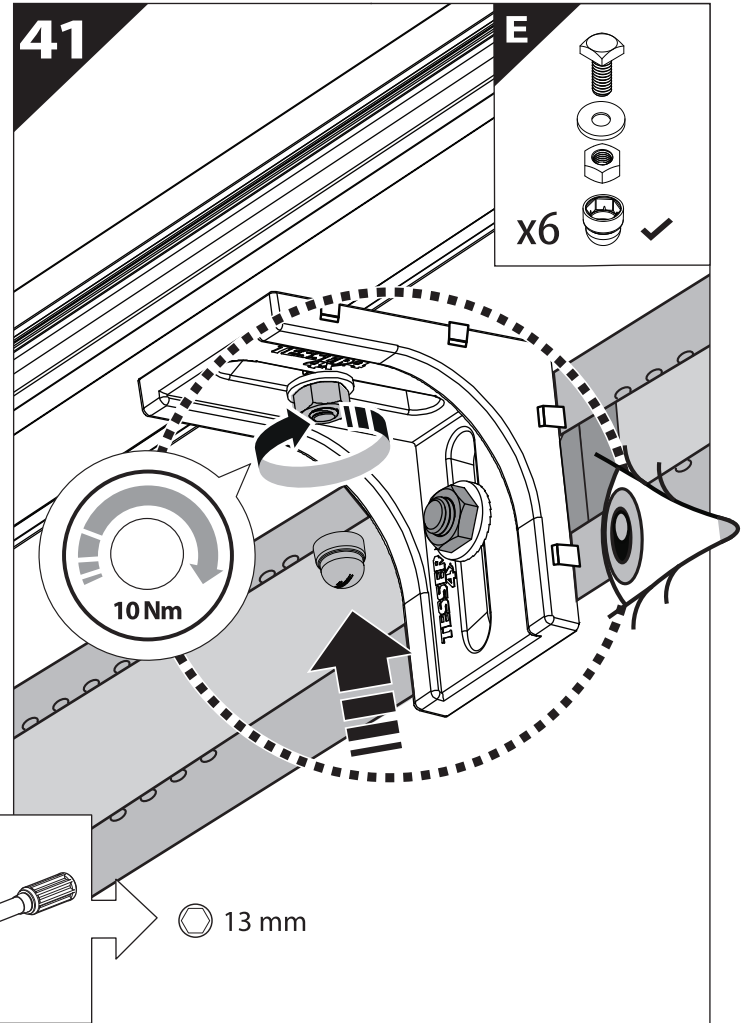
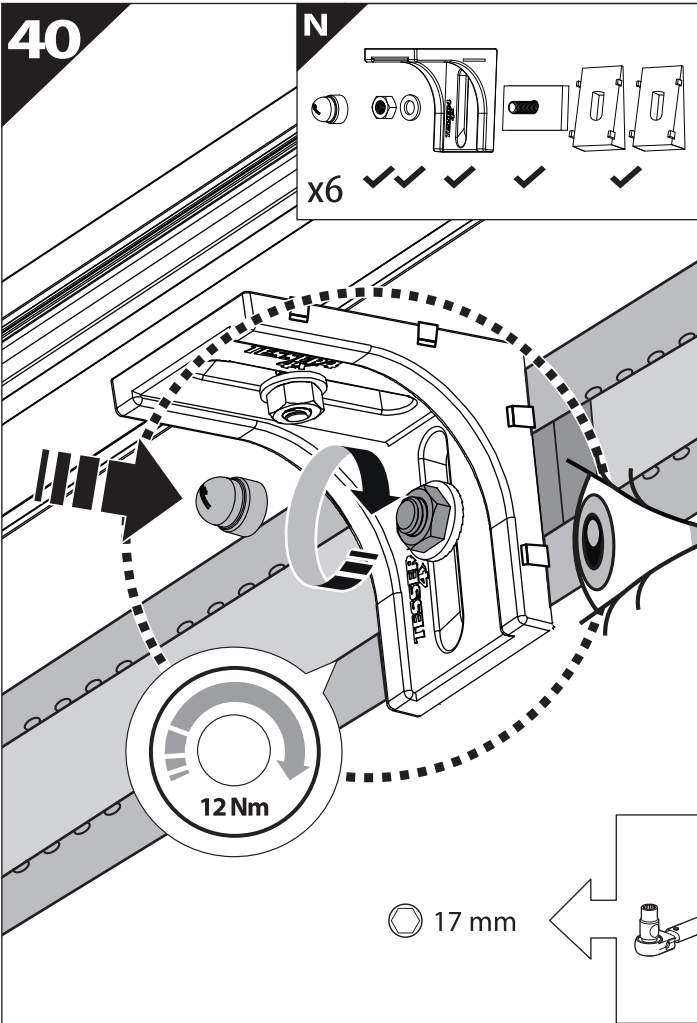


38

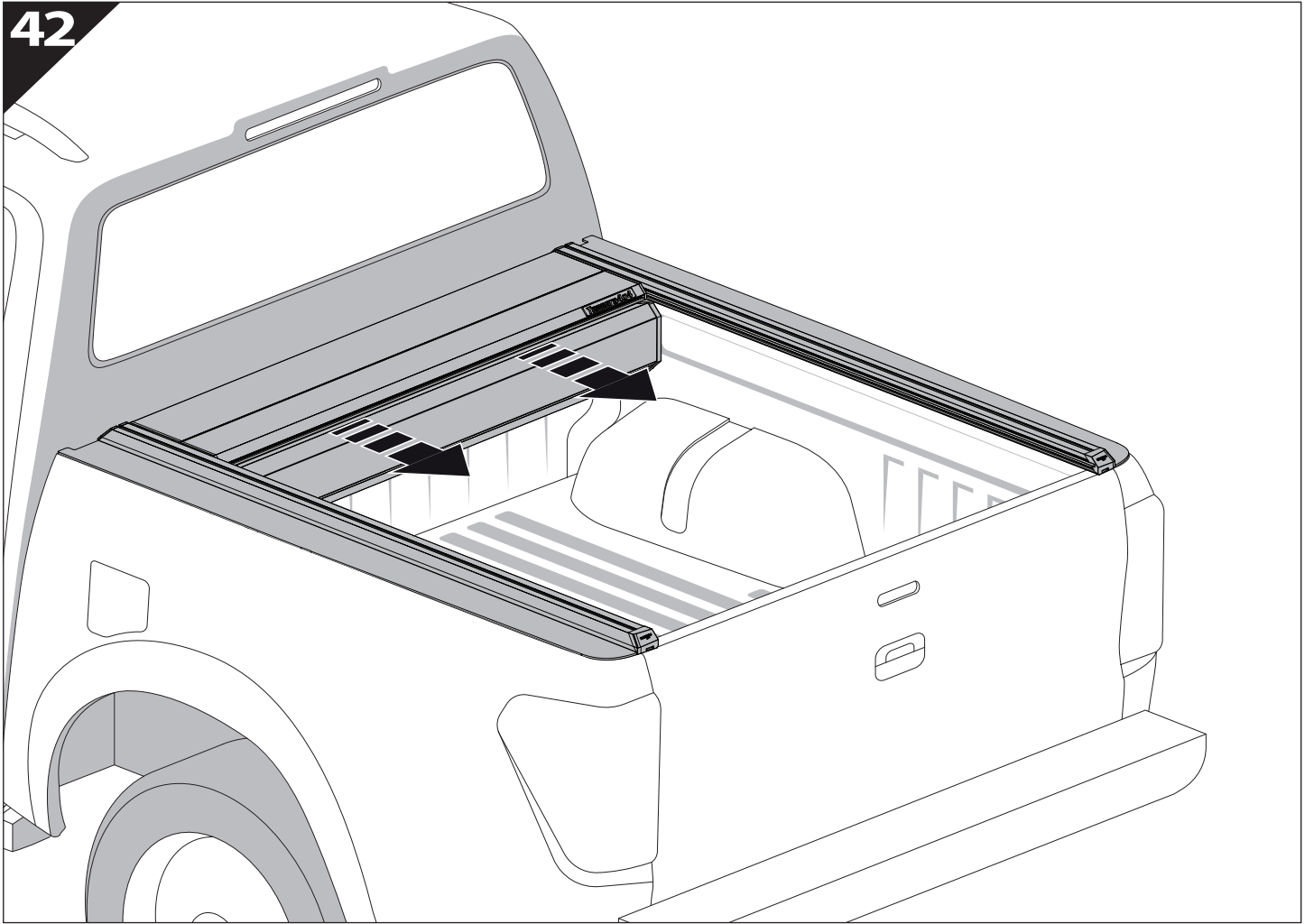


39

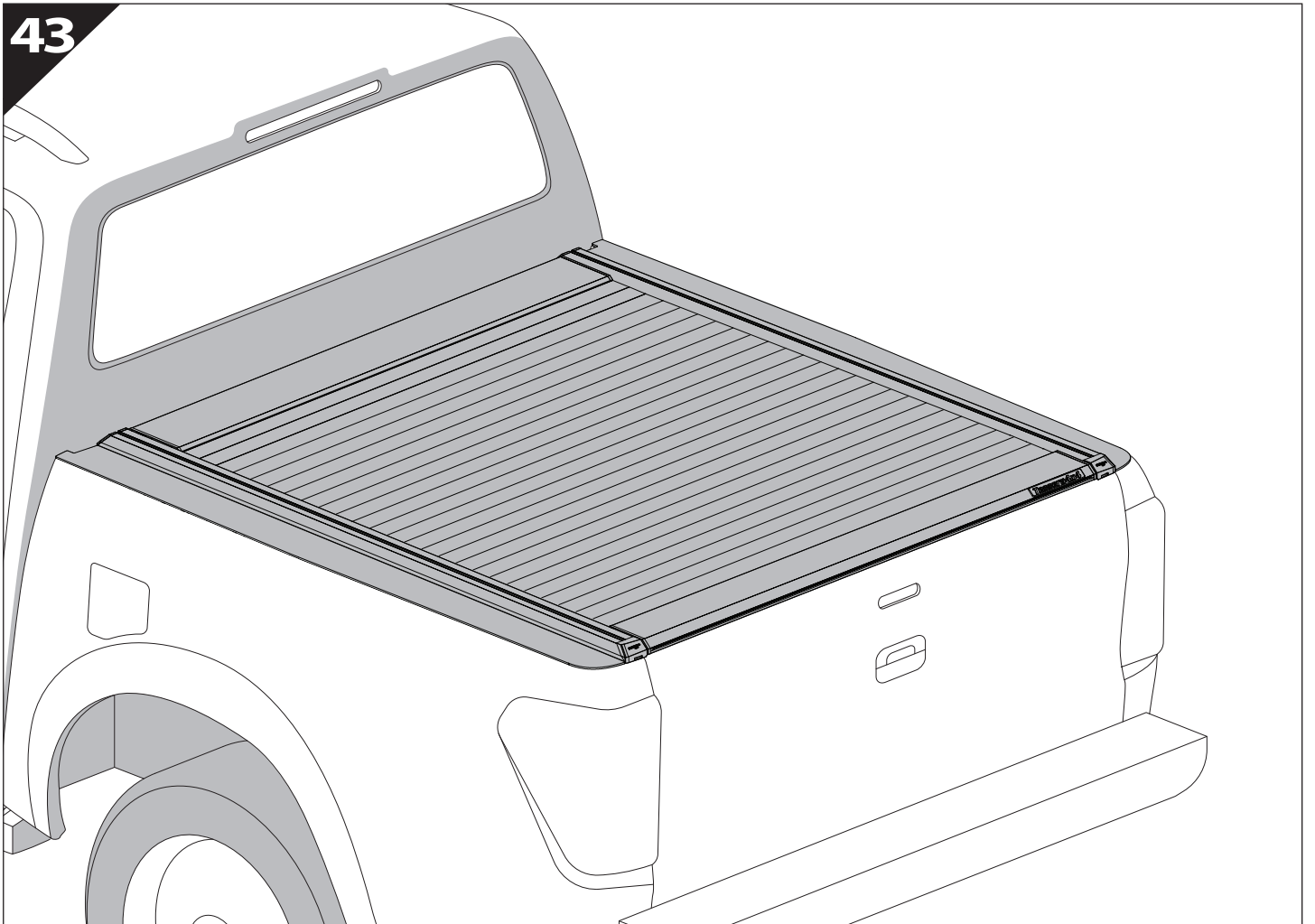




42



43





GR: Οδηγίες Εγκατάστασης
GB: Installation manual
SF: Asennusohje
F: Notice de montage
PL: Instrukcja montażu
NL: Installatie-instructies
TR: Montaj Talimatı
S: Monteringsanvisning
E: Instrucciones de montaje

H: Szerelési utasítás
P: Instruções de instalação
RUS: Инструкция по установке
N: Monteringsveiledning
D: Einbauanleitung
CZ: Návod k instalaci
I: Istruzioni de montaggio
DK: Monteringsvejledning
RO: Instructiuni de instalare

Customer Service:

+30 (210) 5541161, +30 (210) 5541154 (08:00 - 16:00 EET)

Support department:

info@gianso.gr

Website:

www.tessera4x4.com

Address:

19.5 km of National road Athens-Korinthos (Elefsina) Greece, P.C: 19200