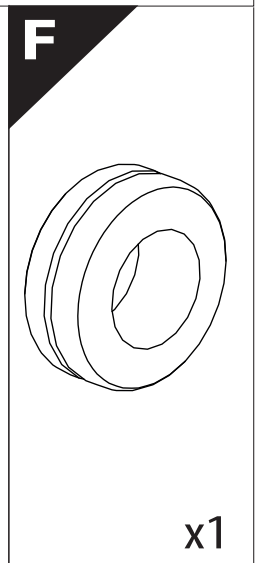
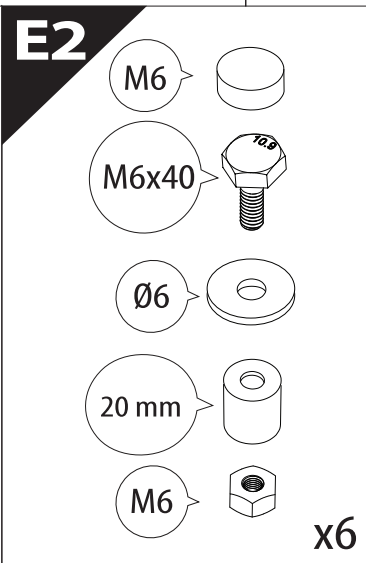
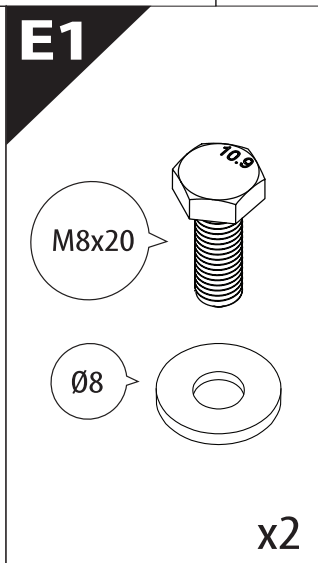
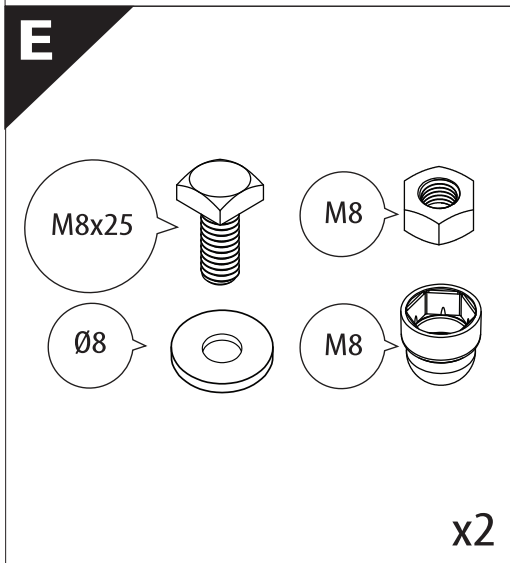
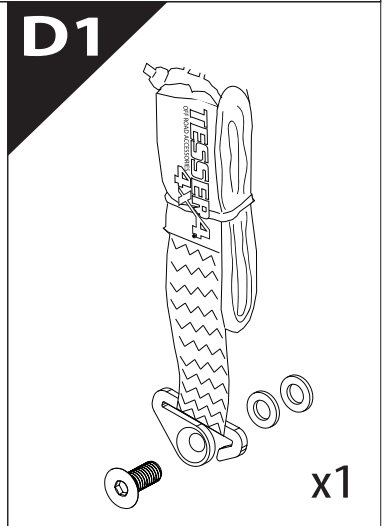
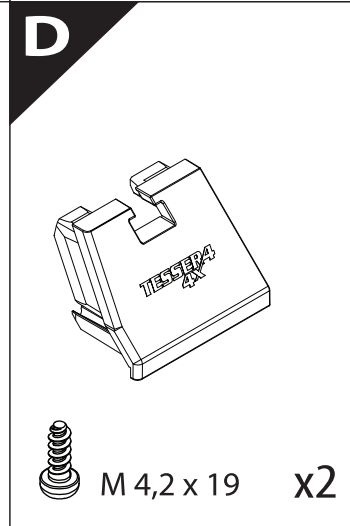
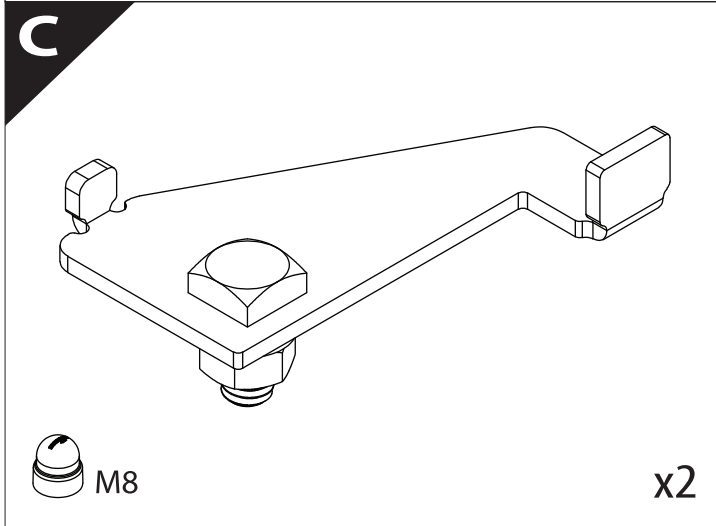
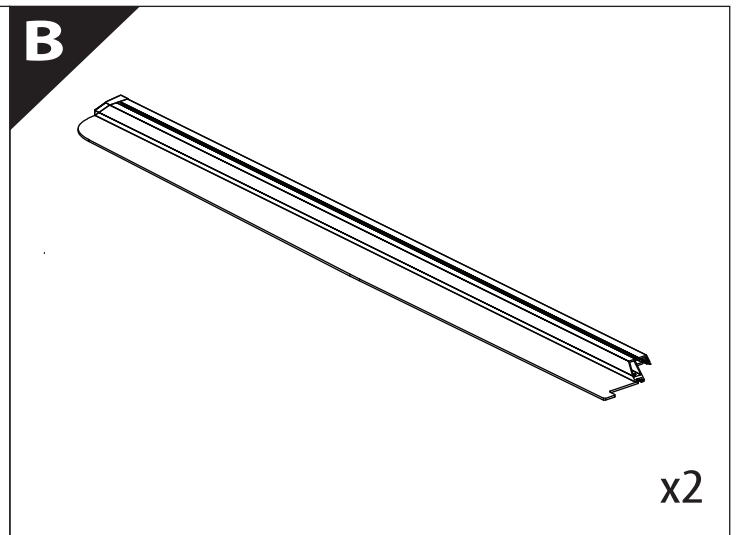
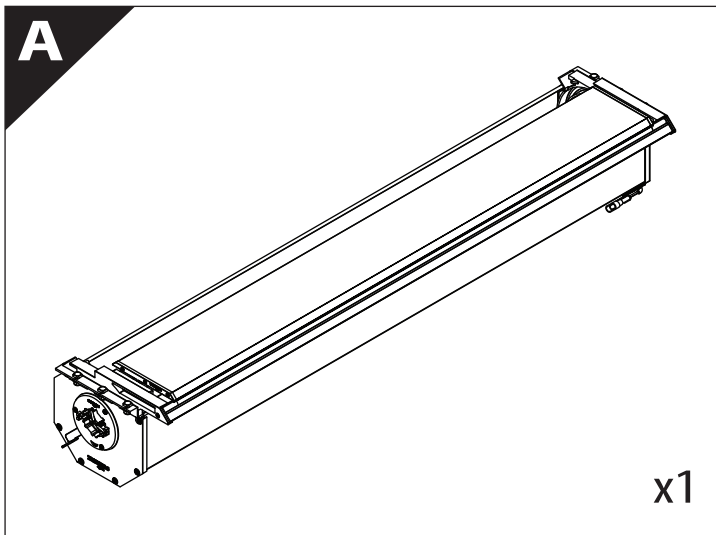
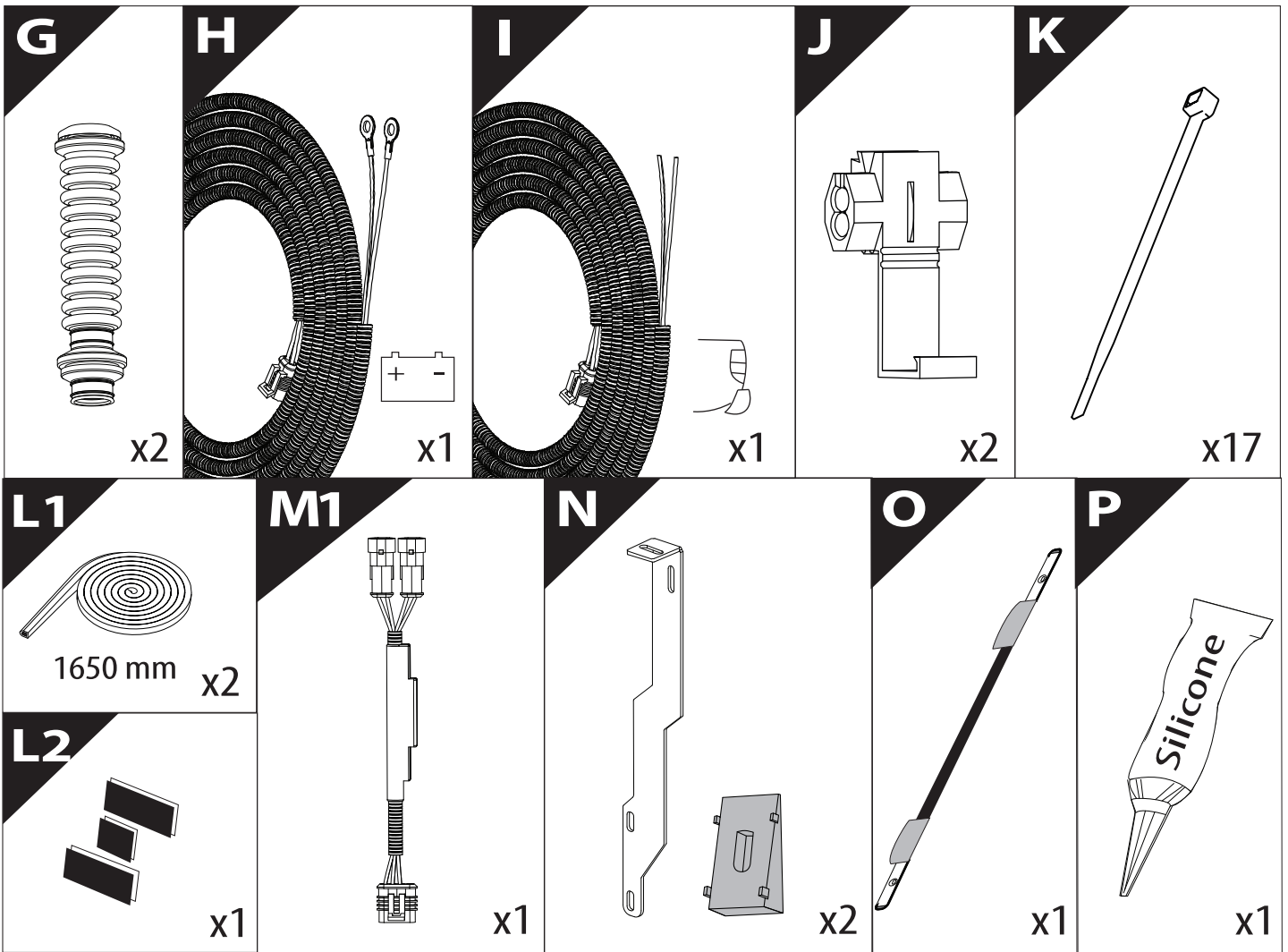
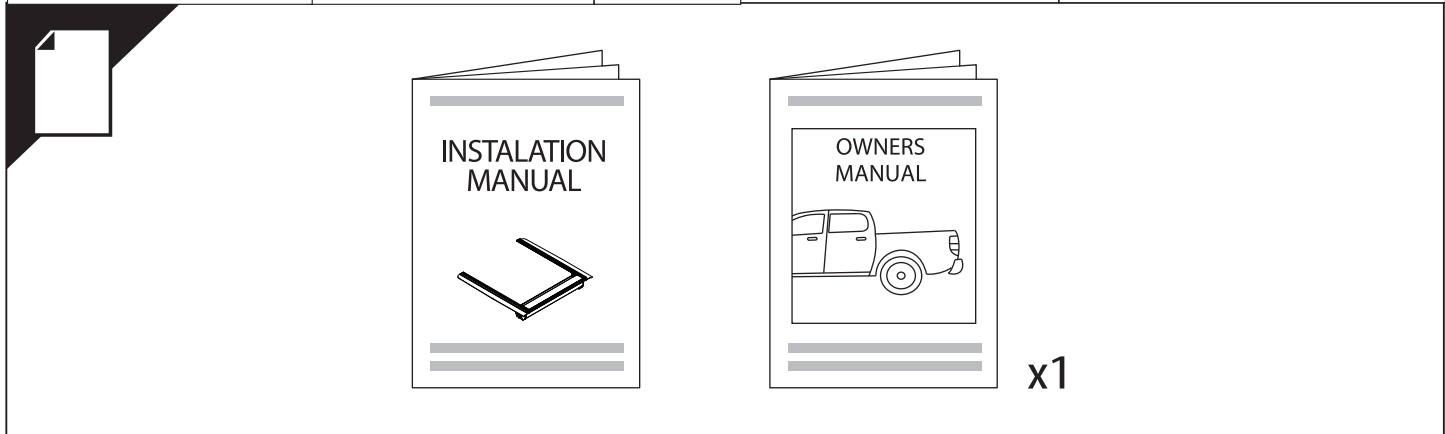
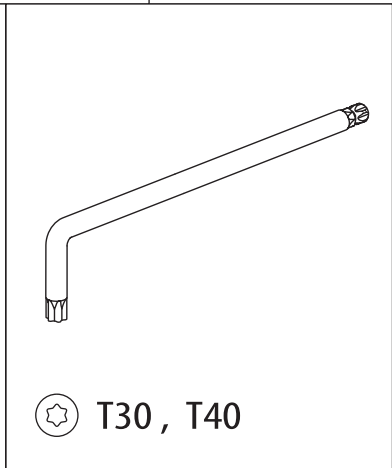
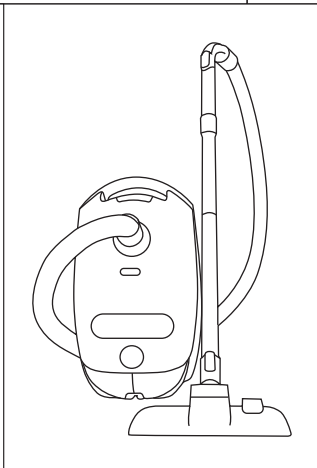
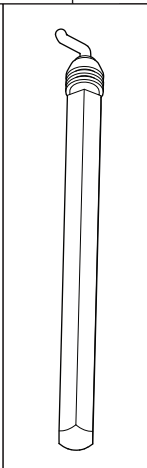
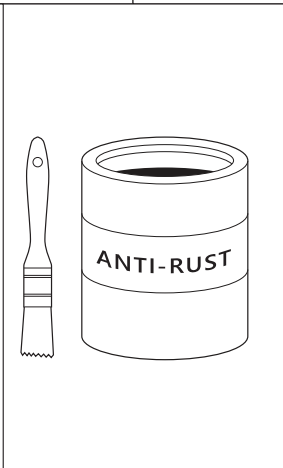
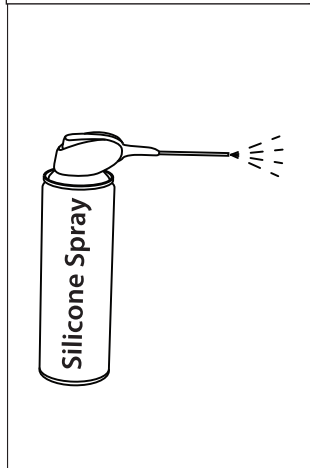
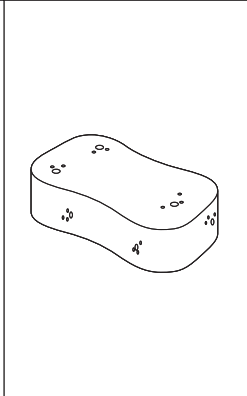
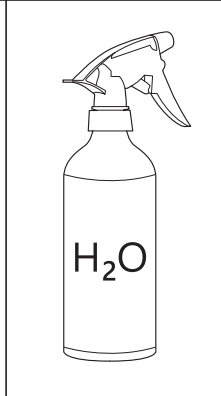
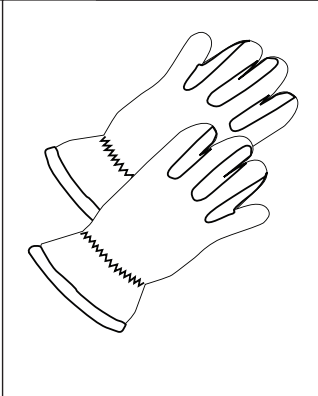
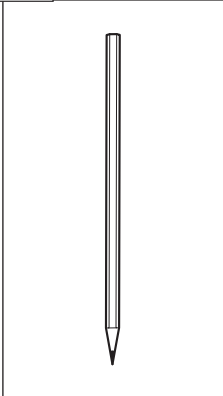
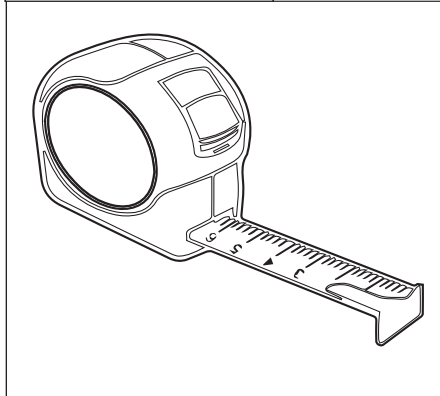
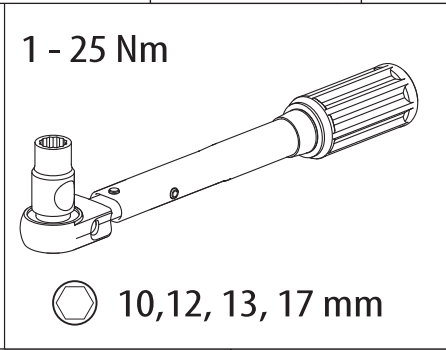
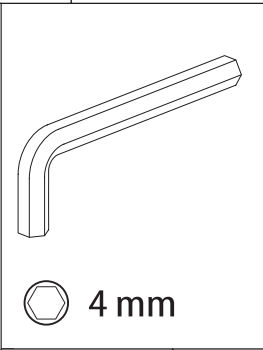
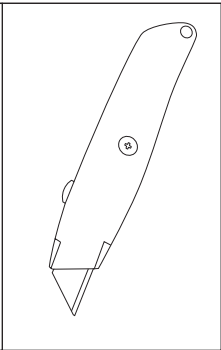
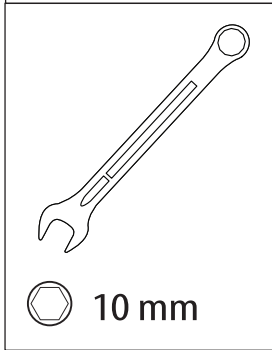
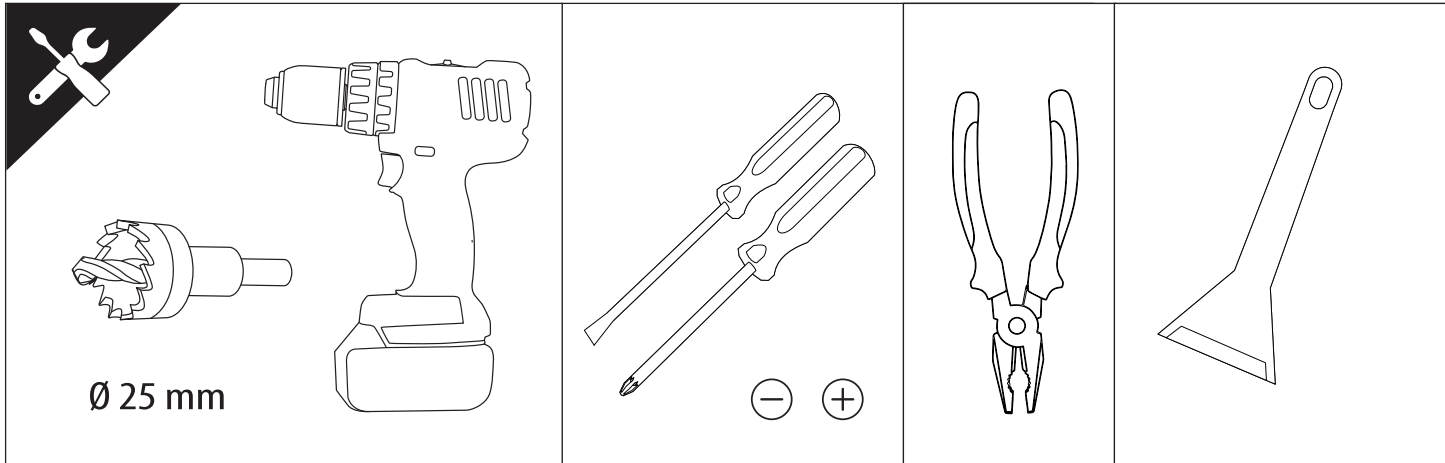


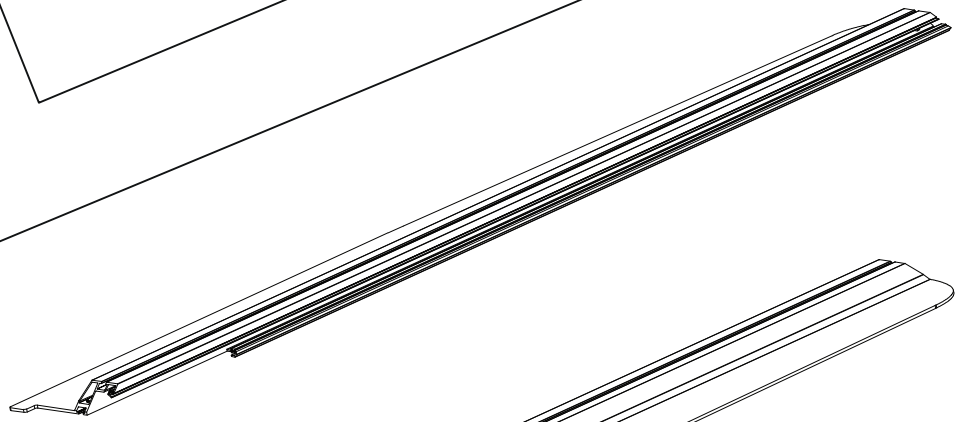
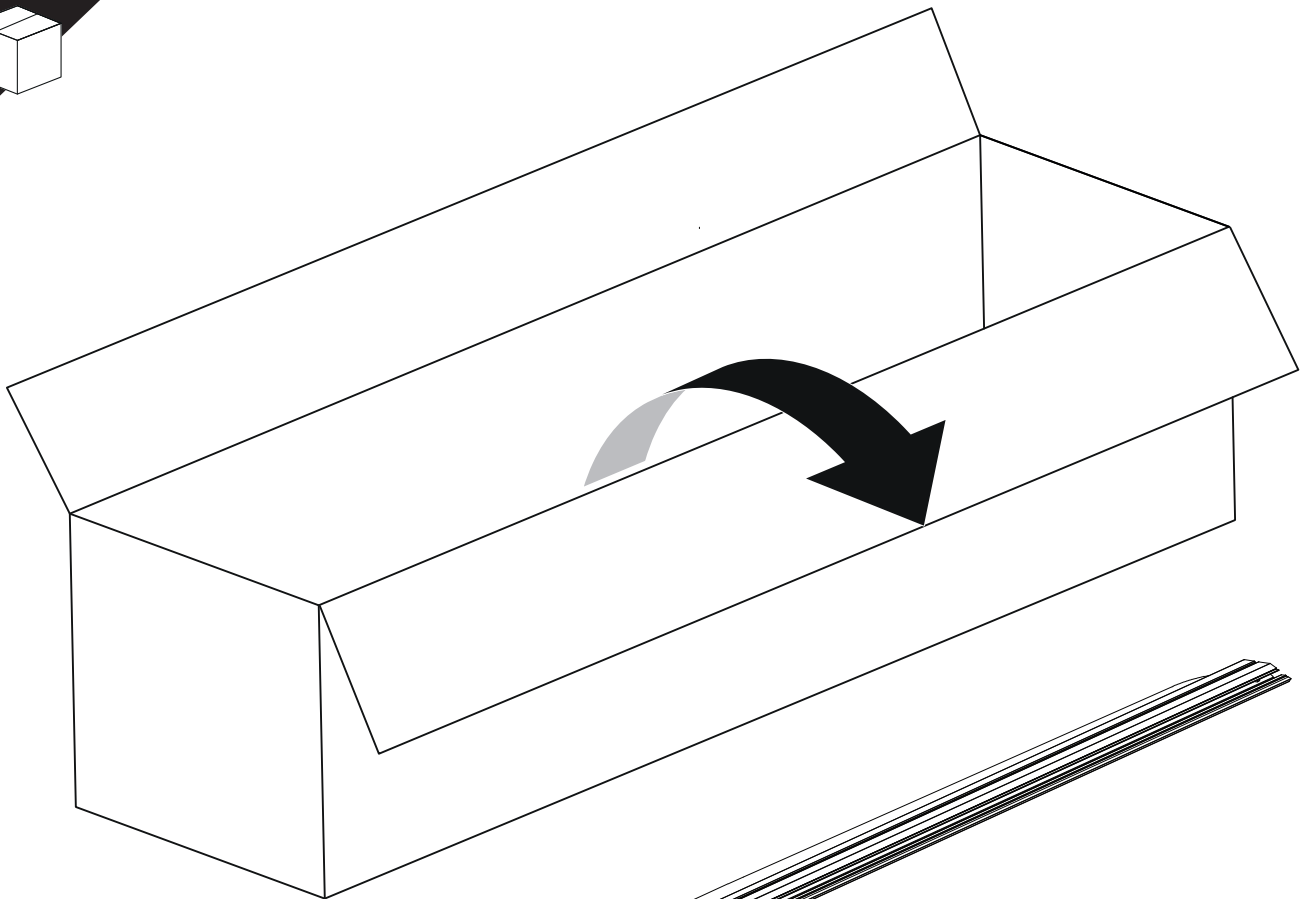
Installation Manual

PART NUMBER(S)	Model Year
TESS 14180 ROLL	VW AMAROK AVENTURA 2023+
Cab(s)	Installation Time / Weight
Double Cab	40-60 minutes / 53-57 kg

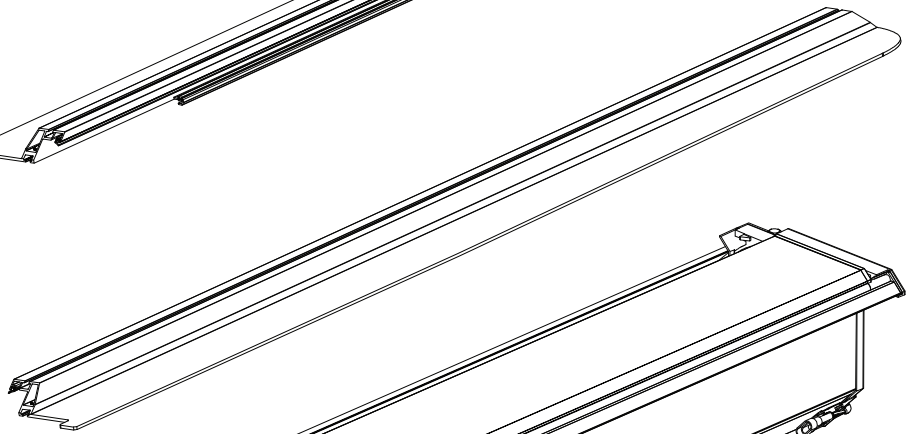




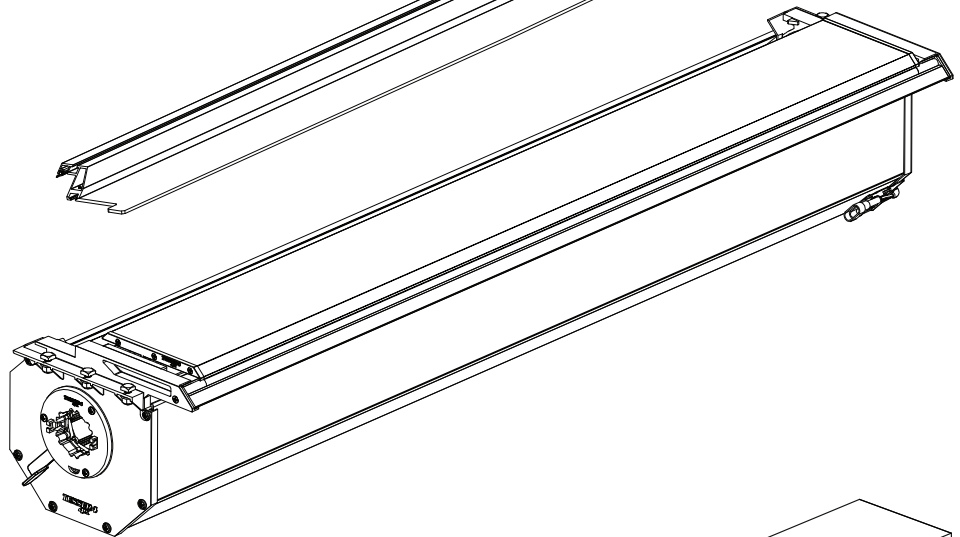




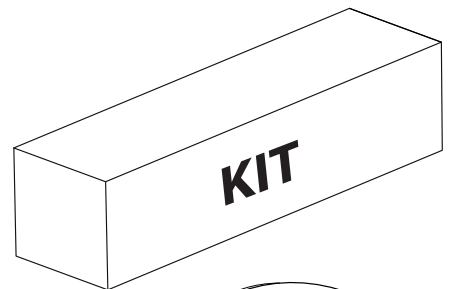
B



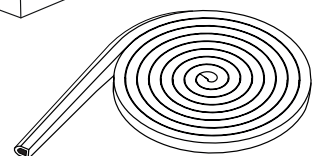
A

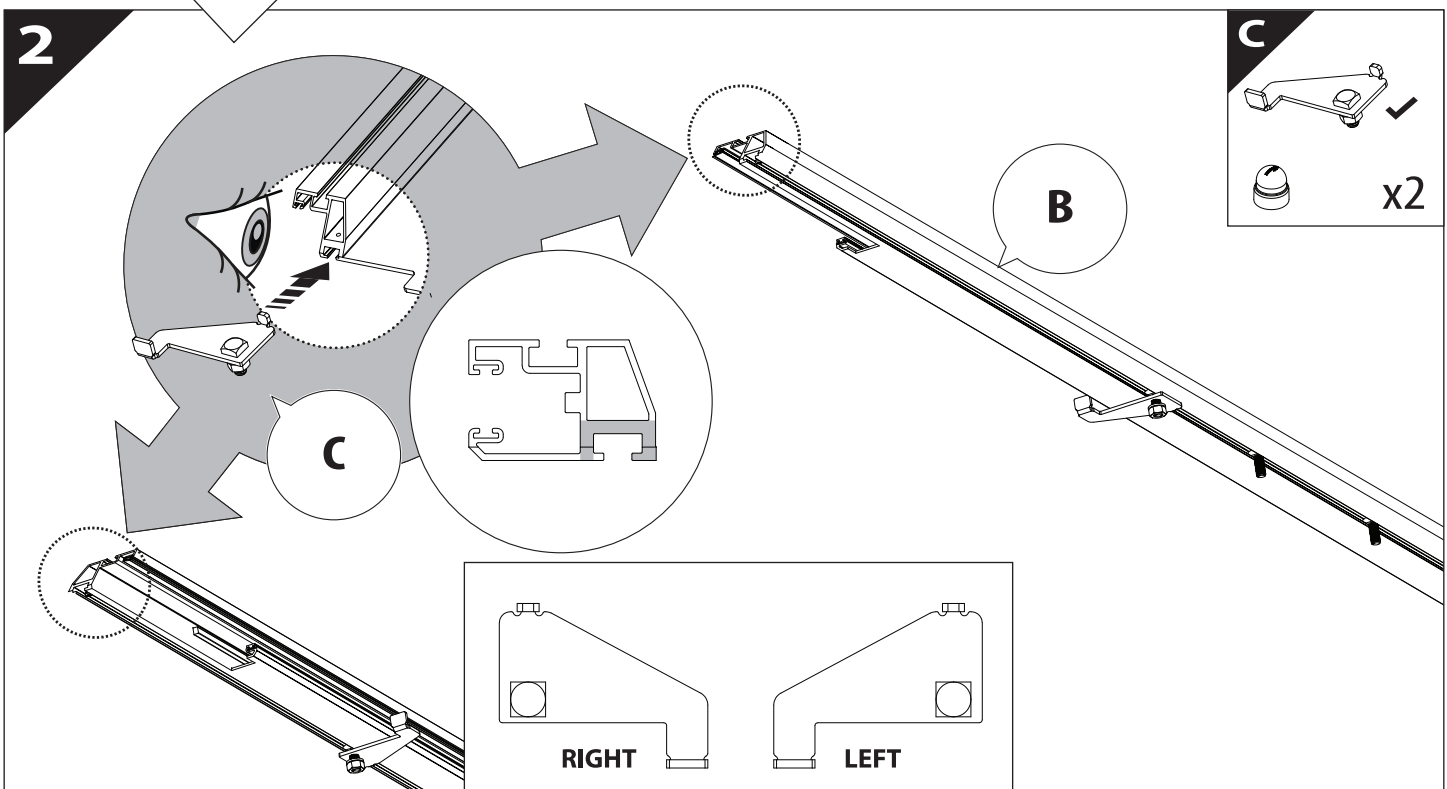
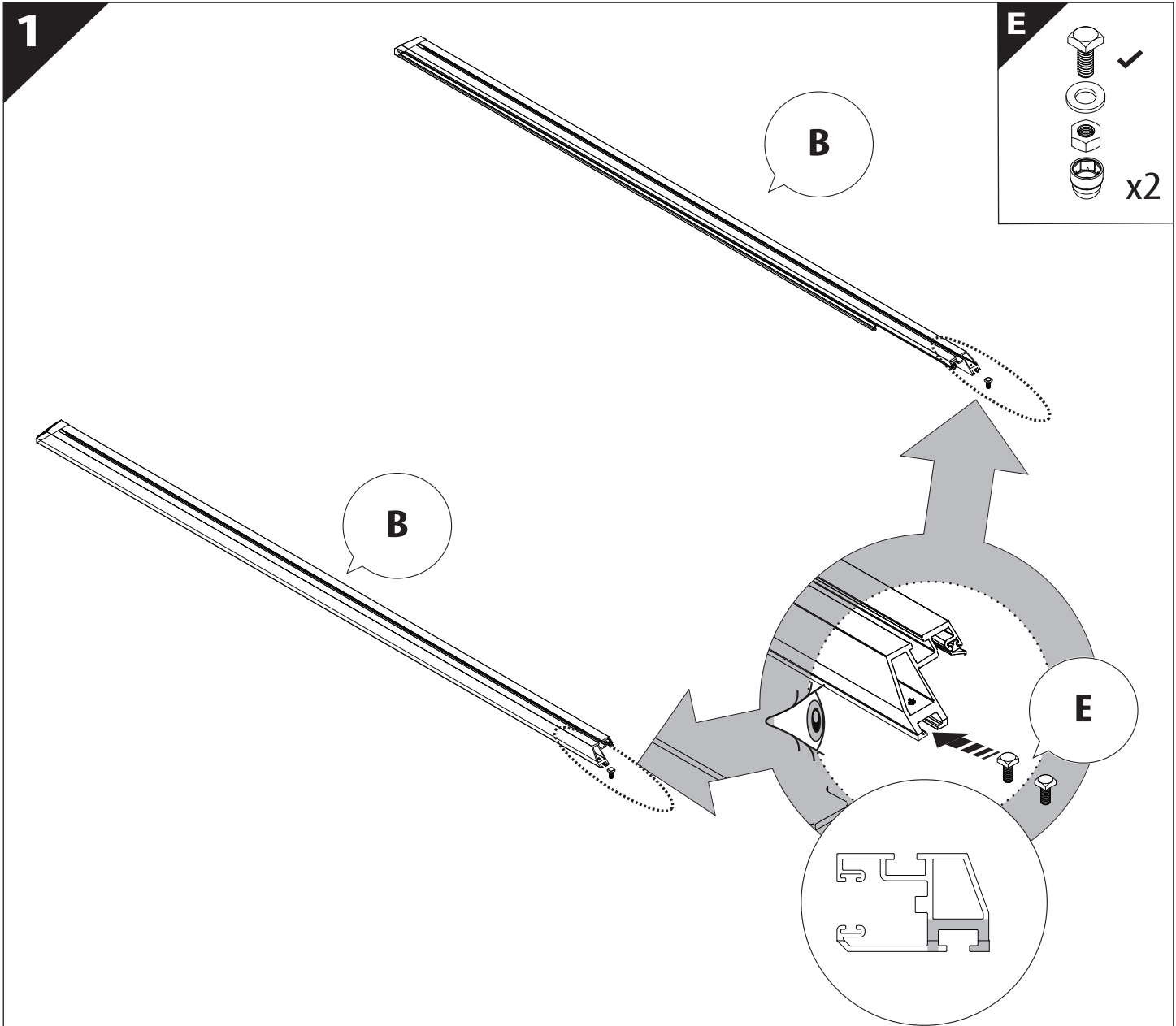


KITS

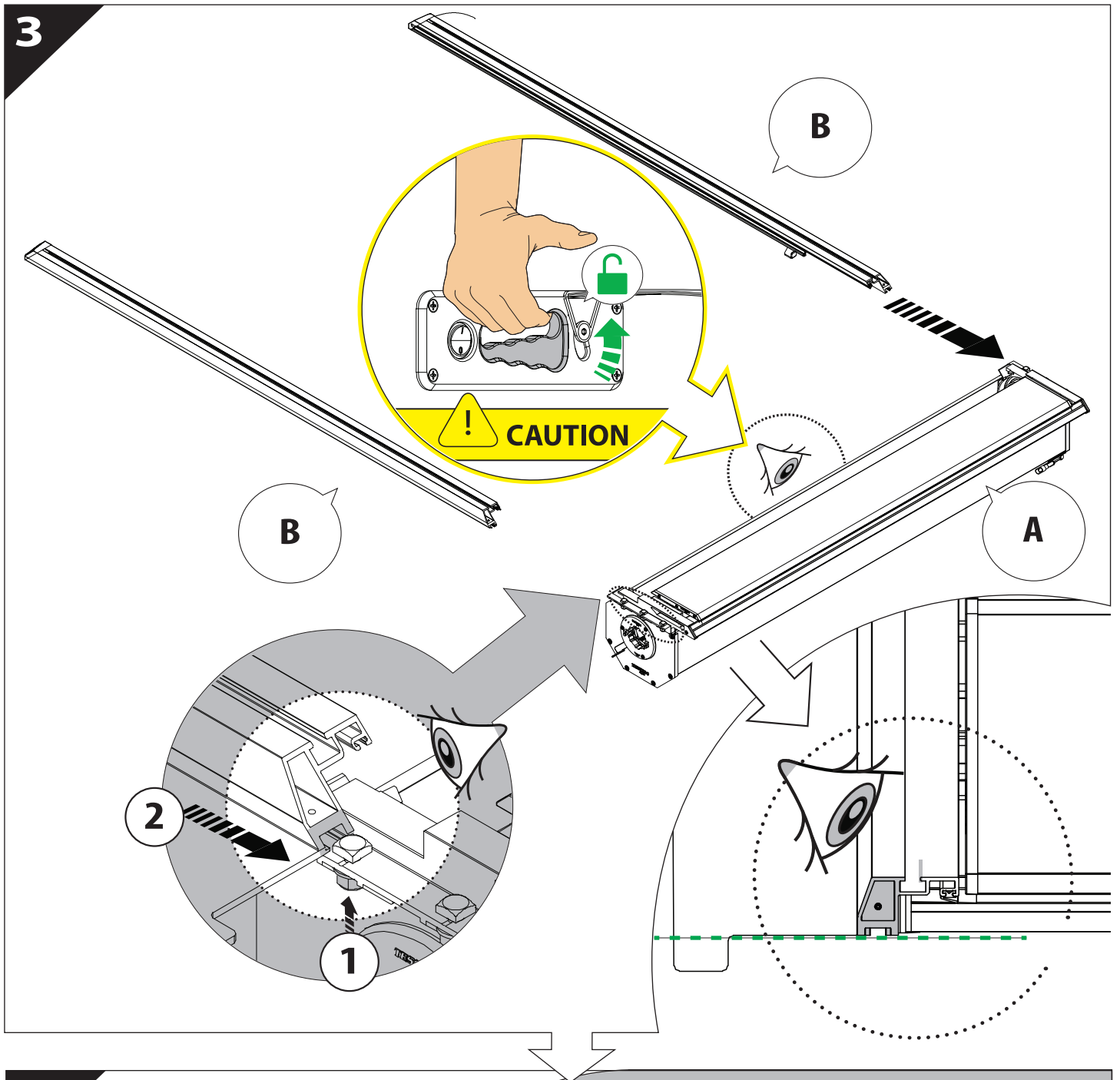


L

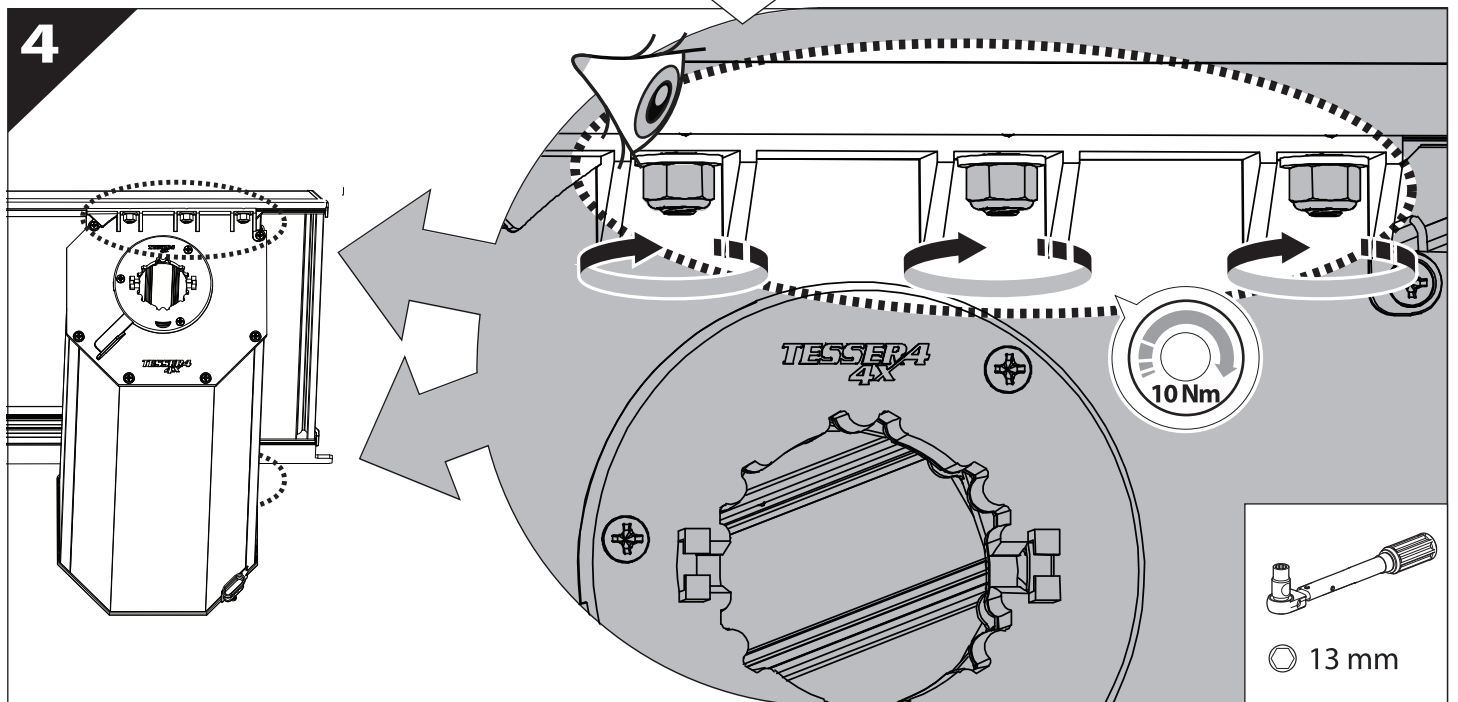


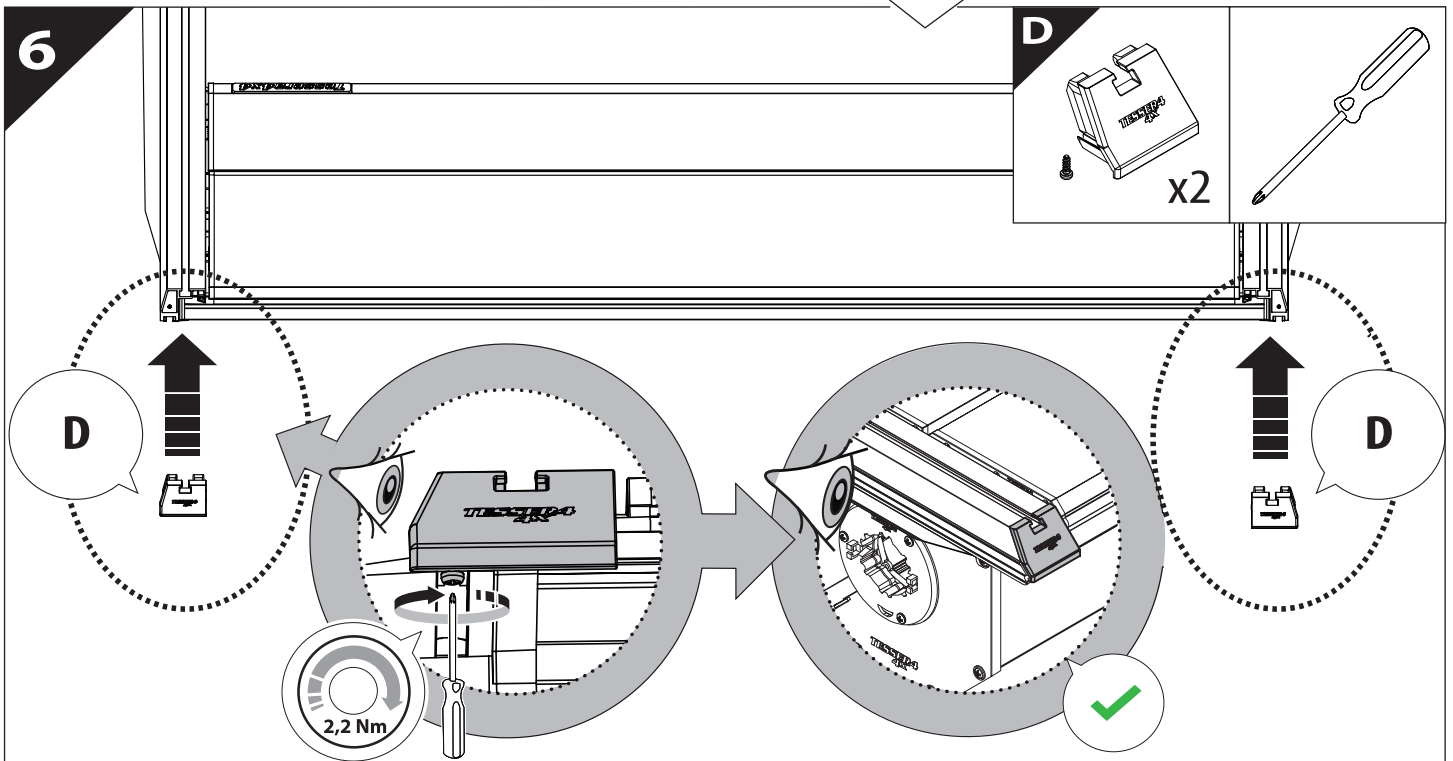
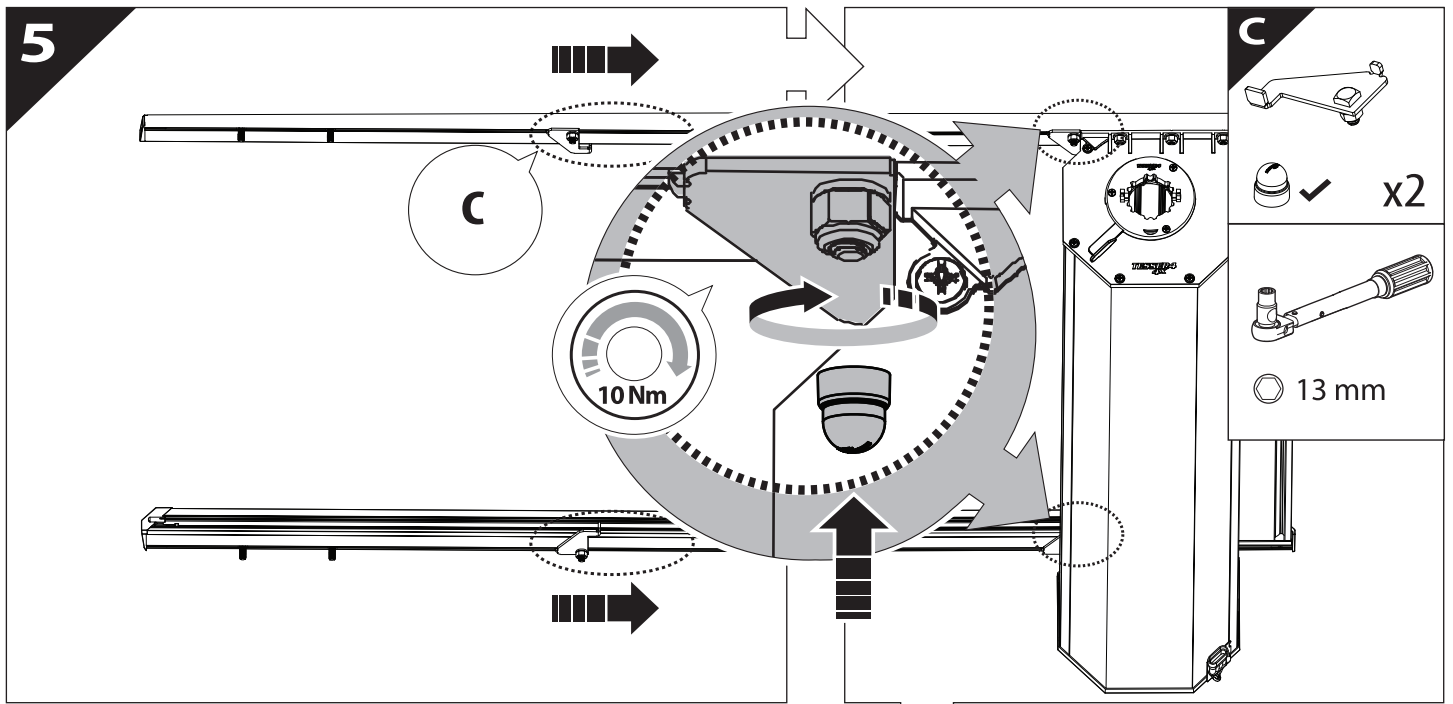


3

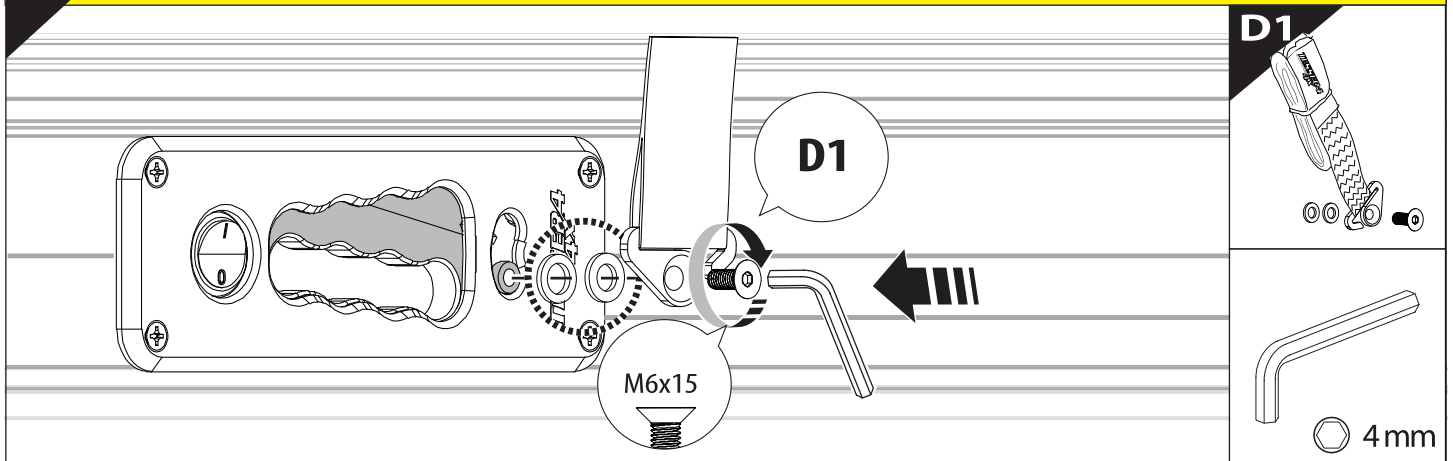


4

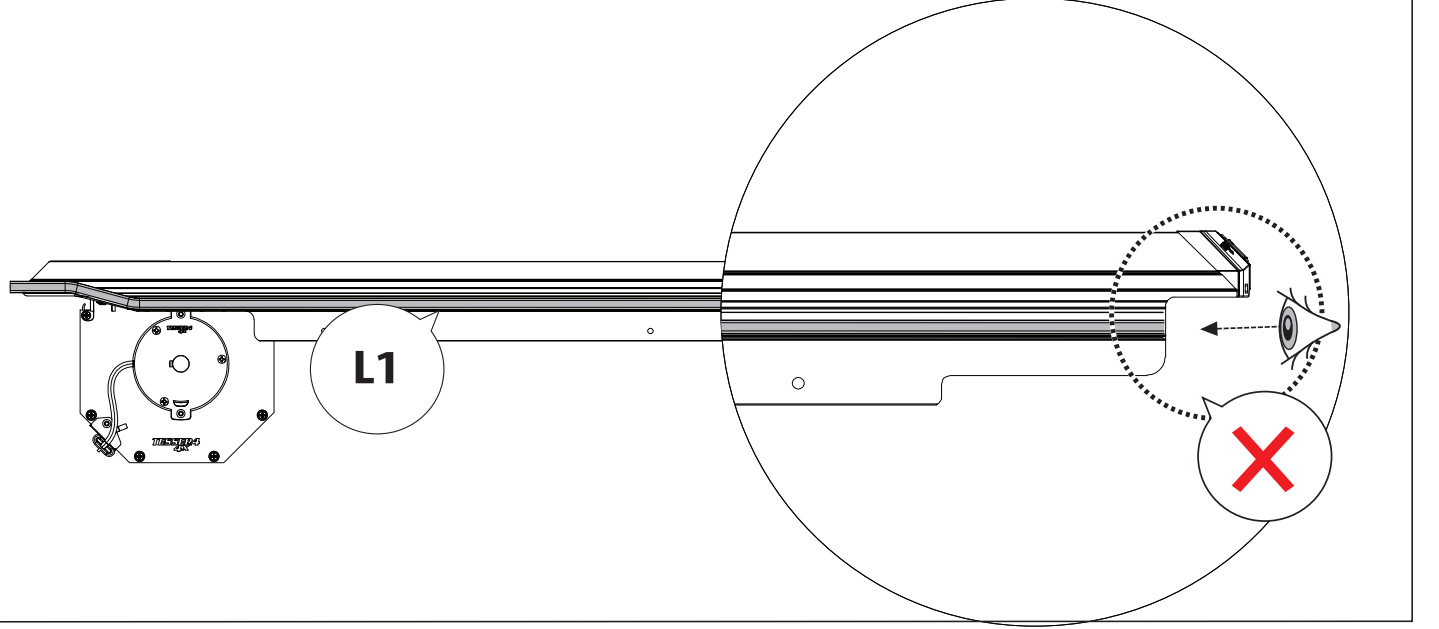
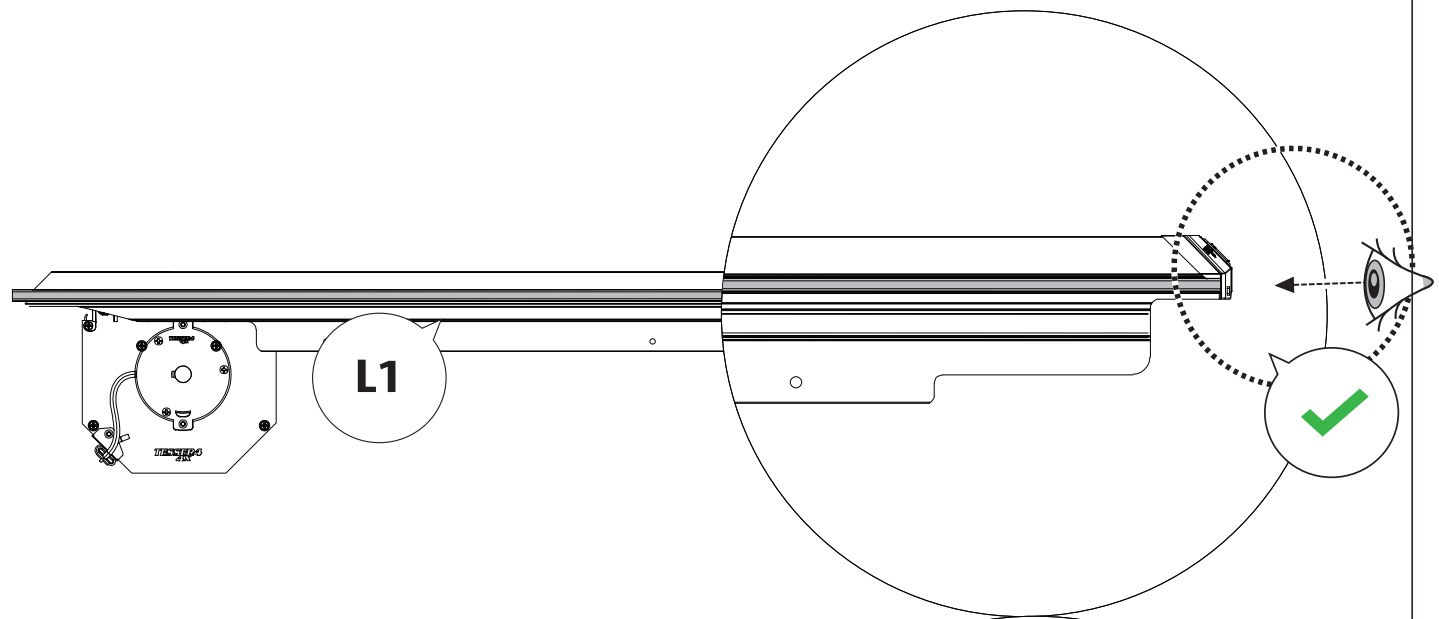
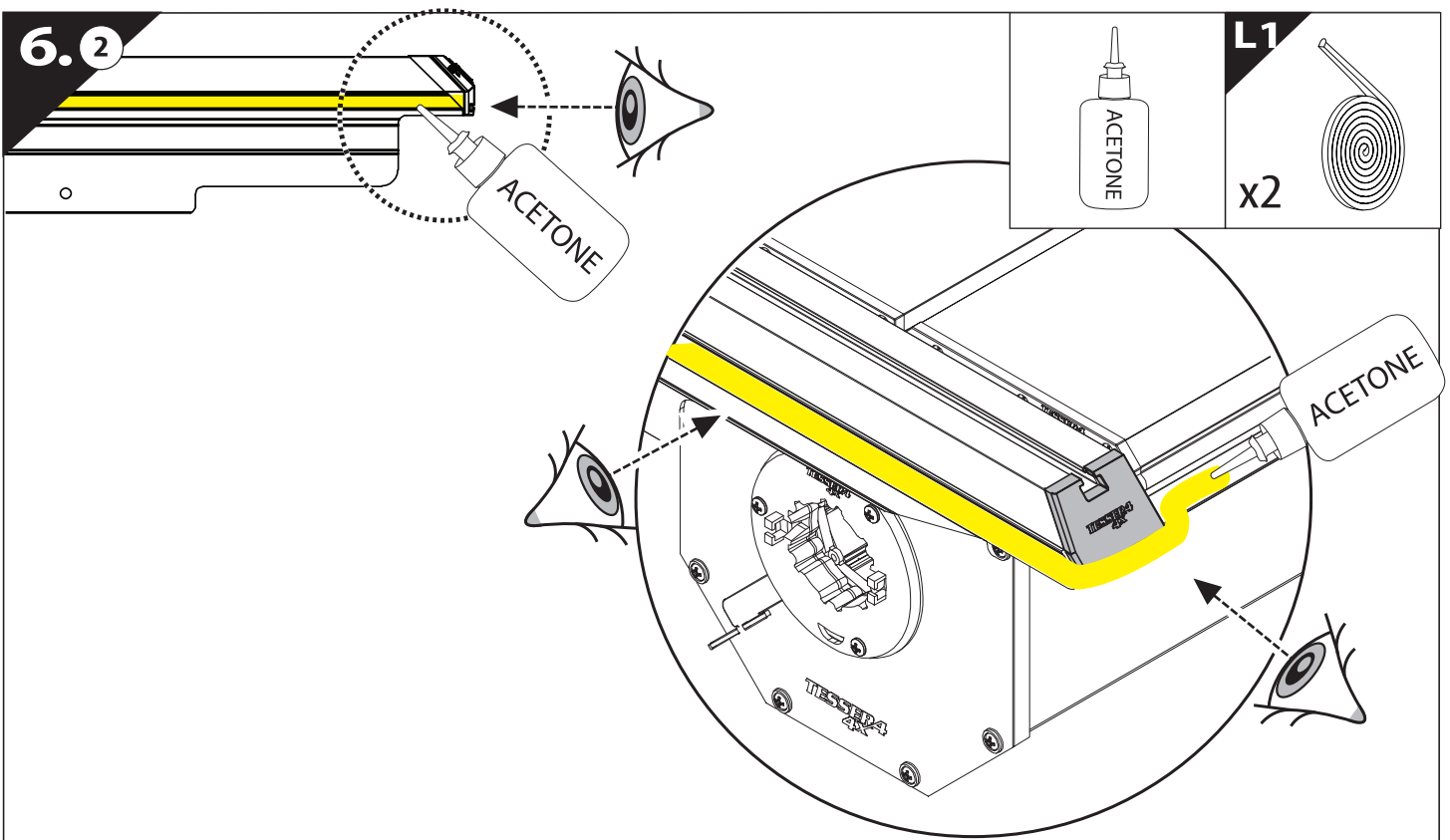


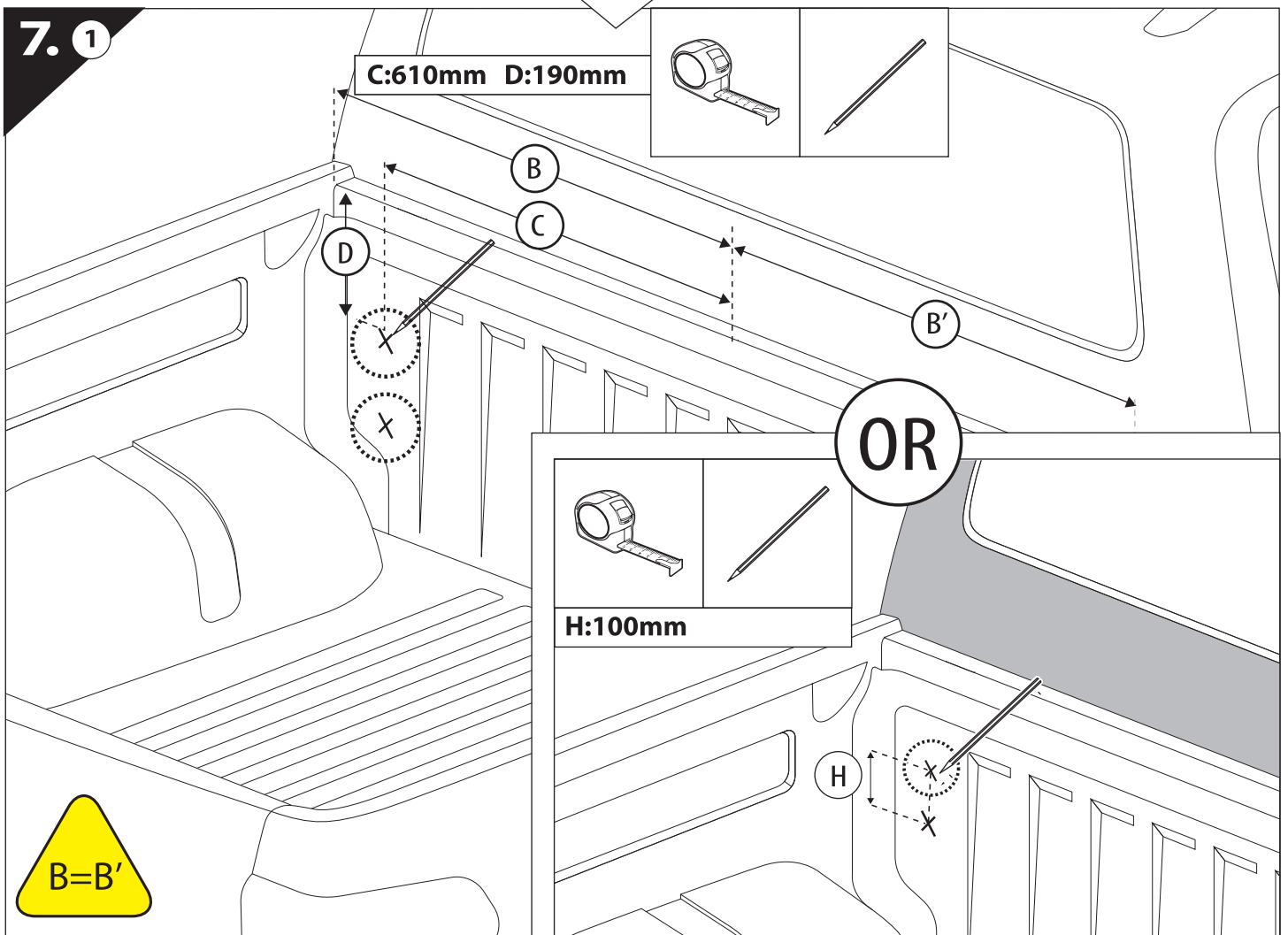
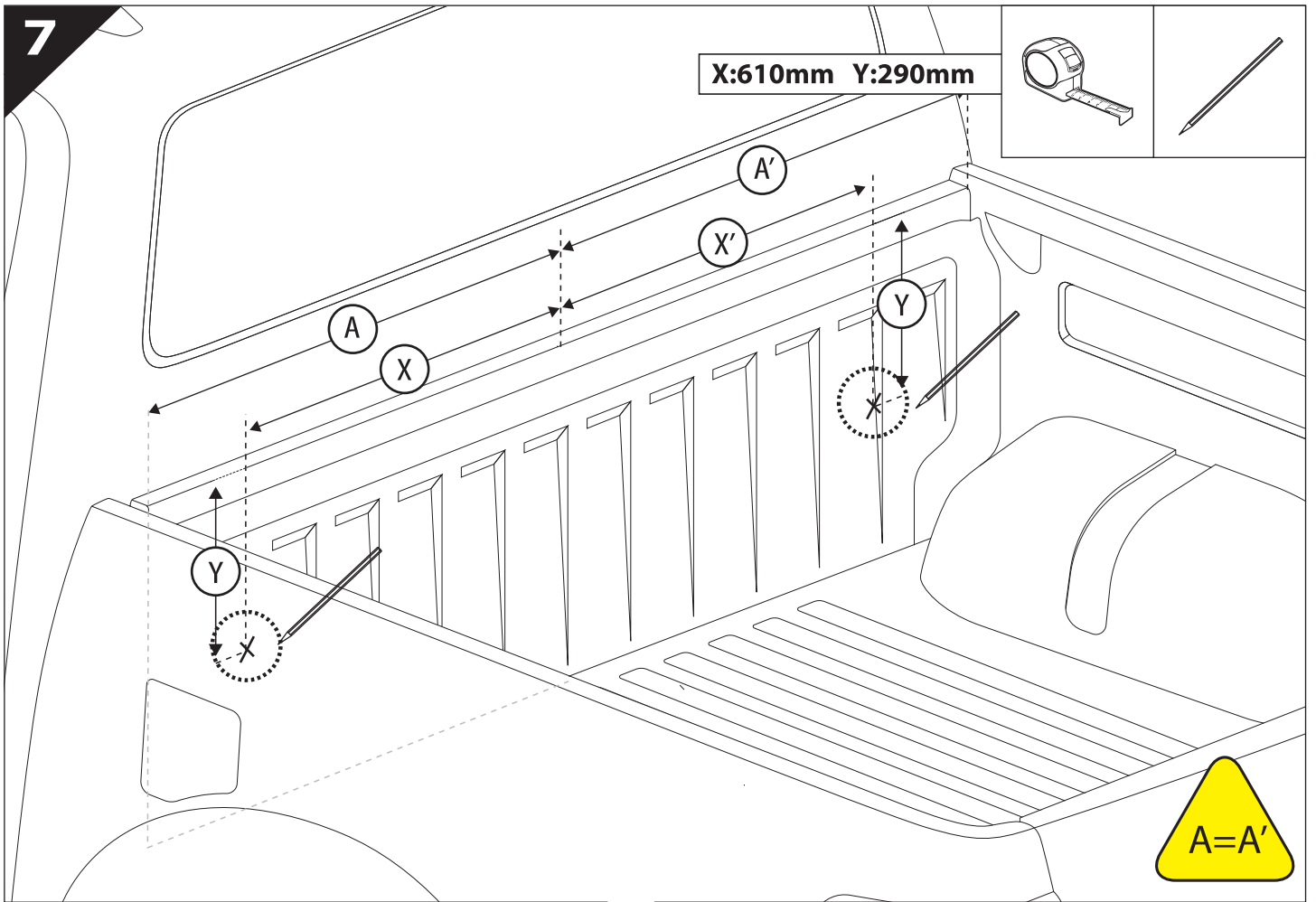


6.1 **CAUTION** Basic Version ✓ & Basic+S-KIT Version ✓



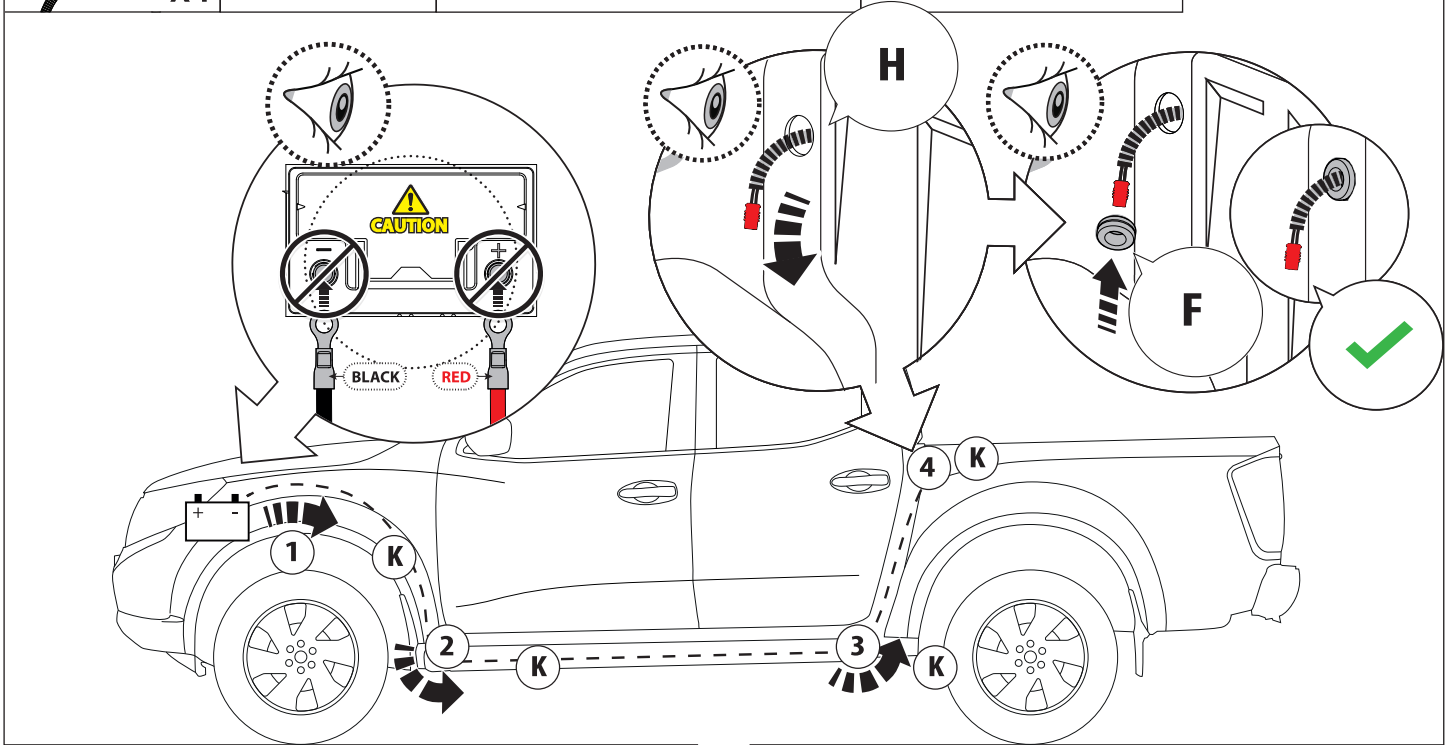
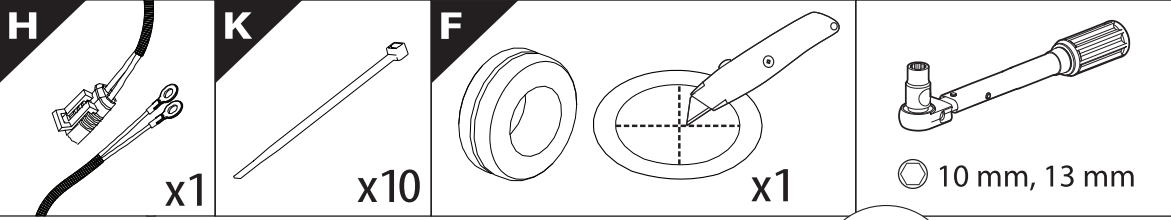
6.2



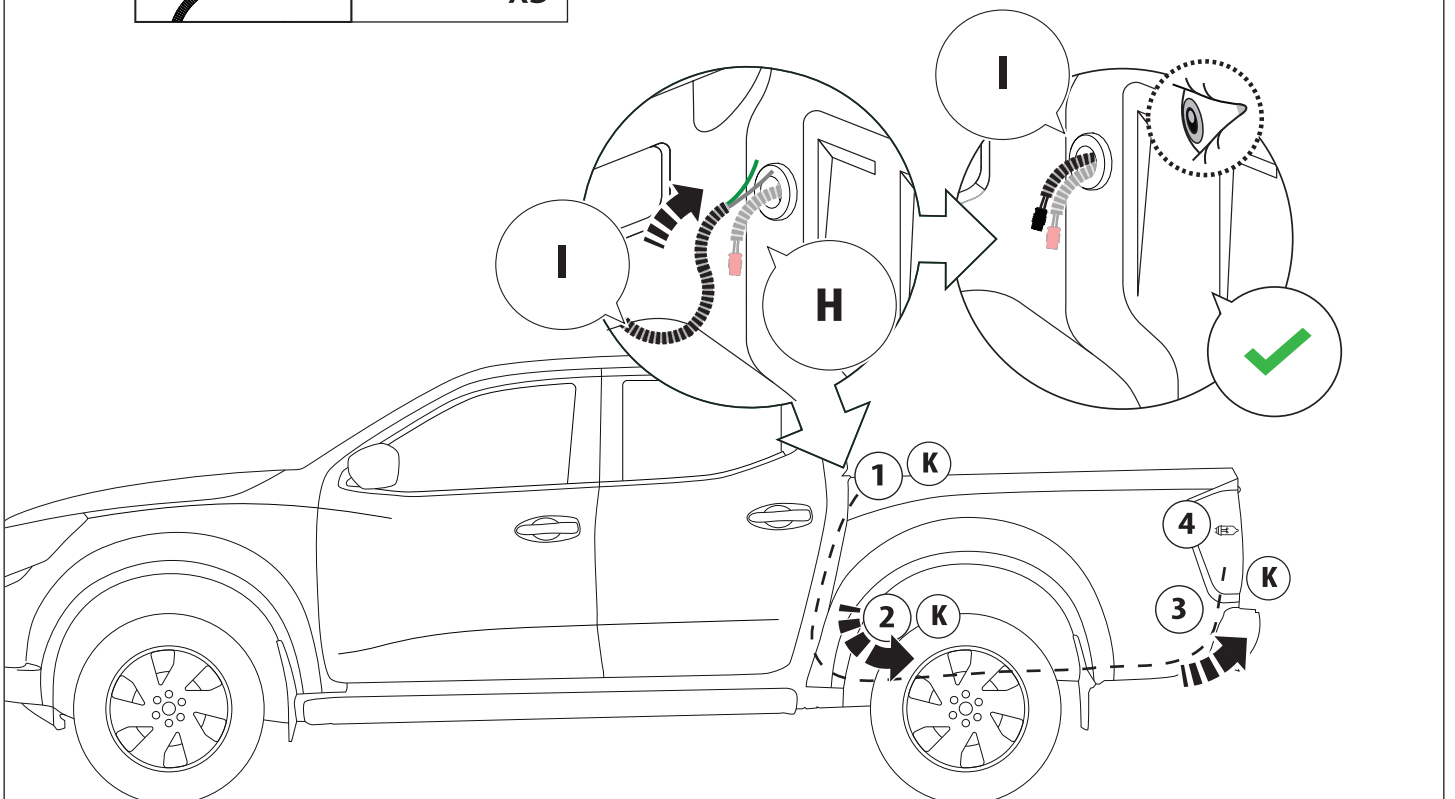
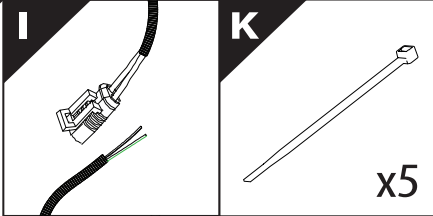


10

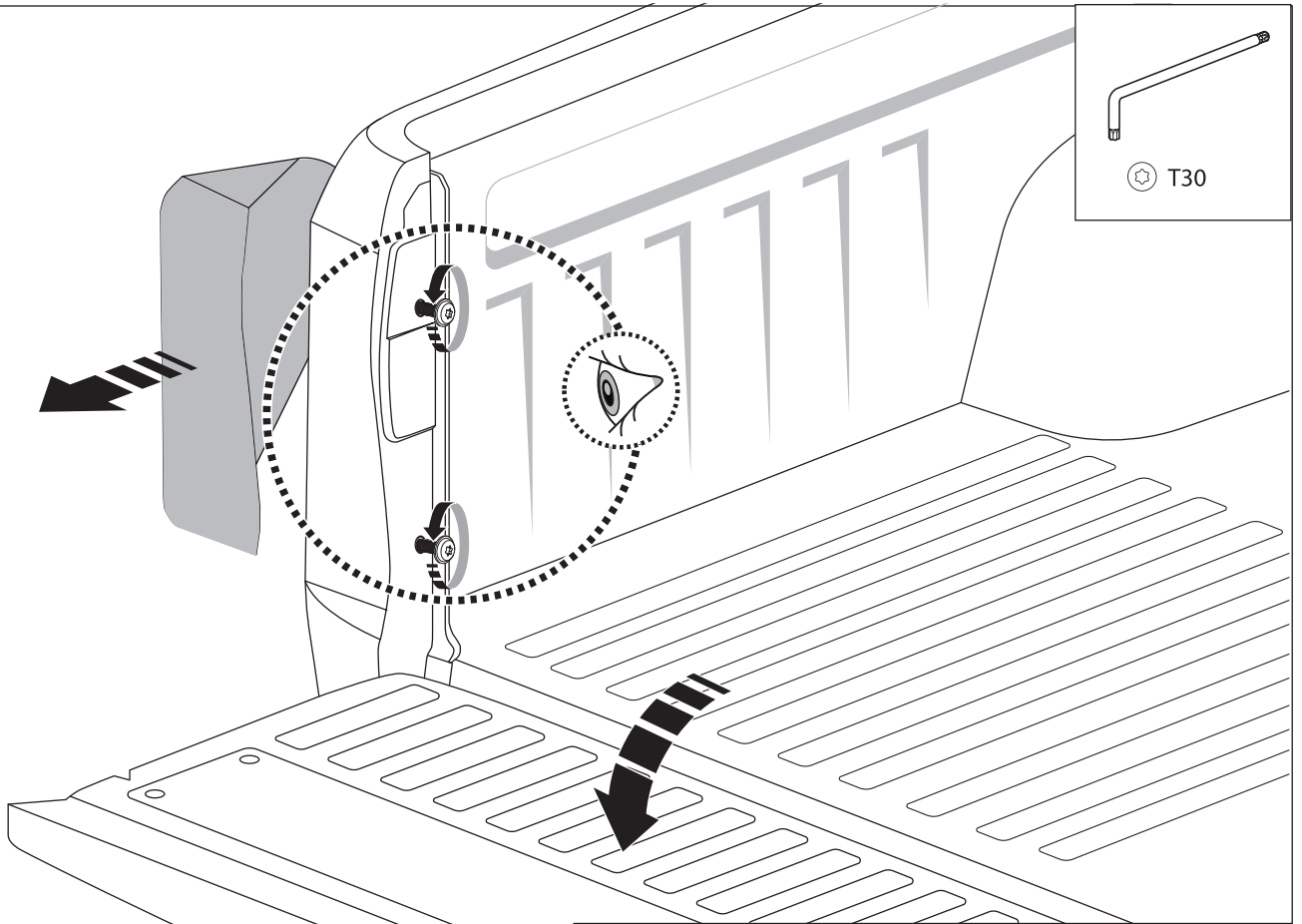
Only to be installed by authorized personnel



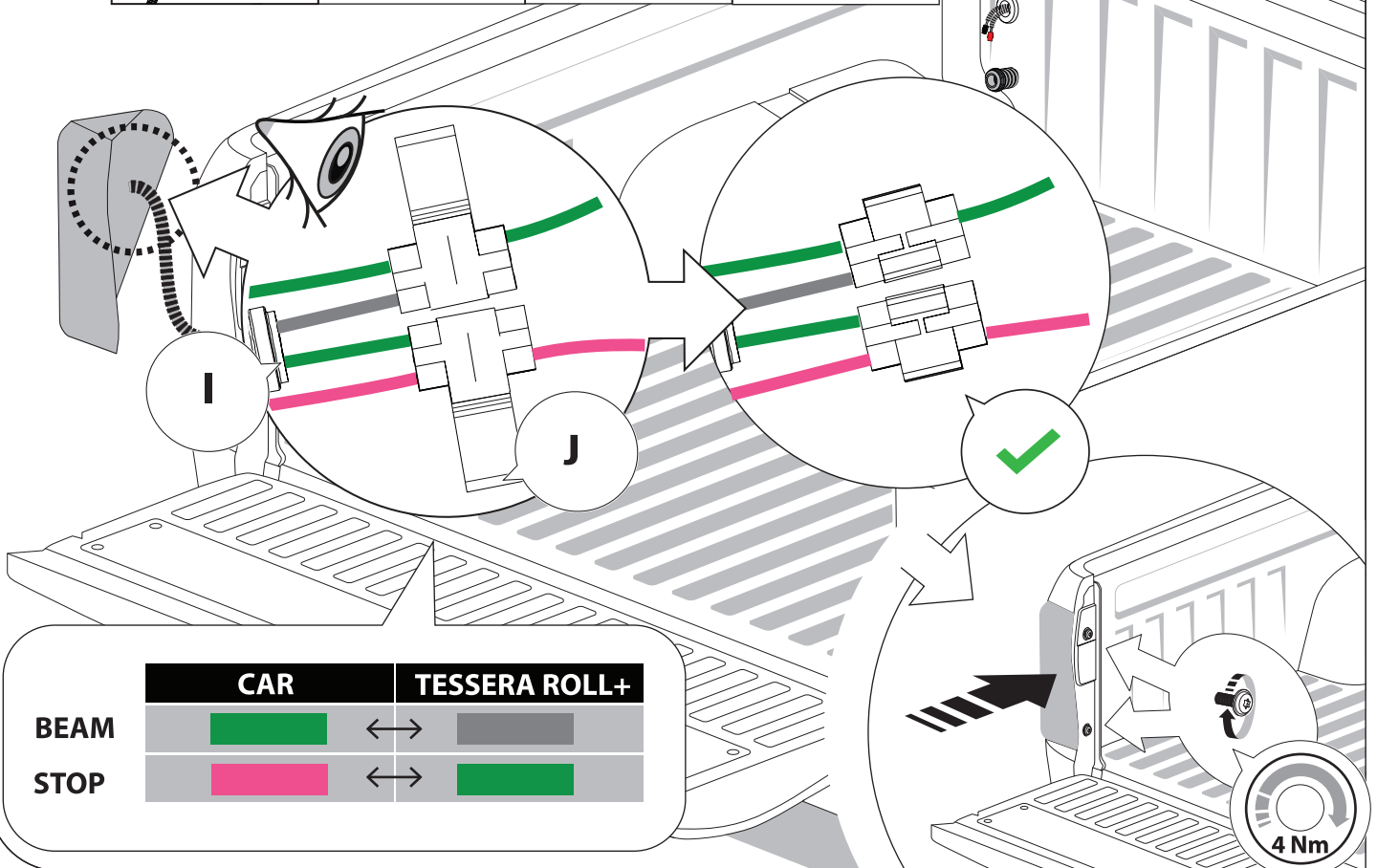
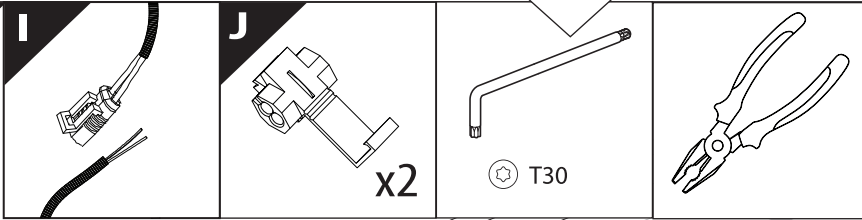
11



12

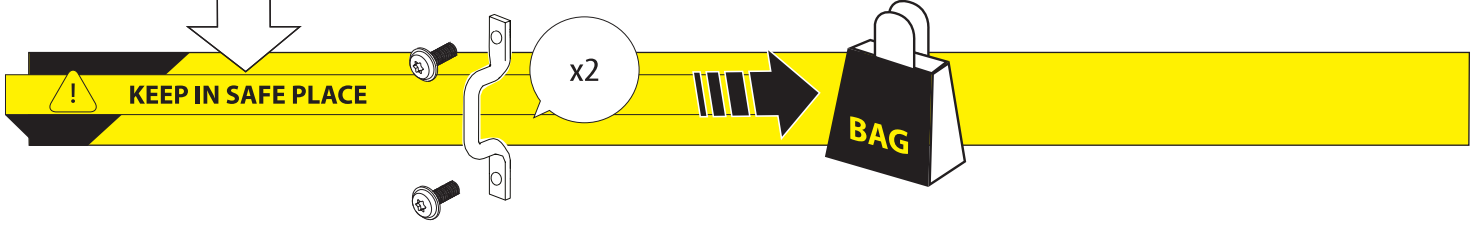
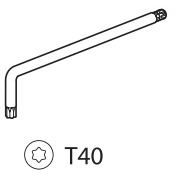
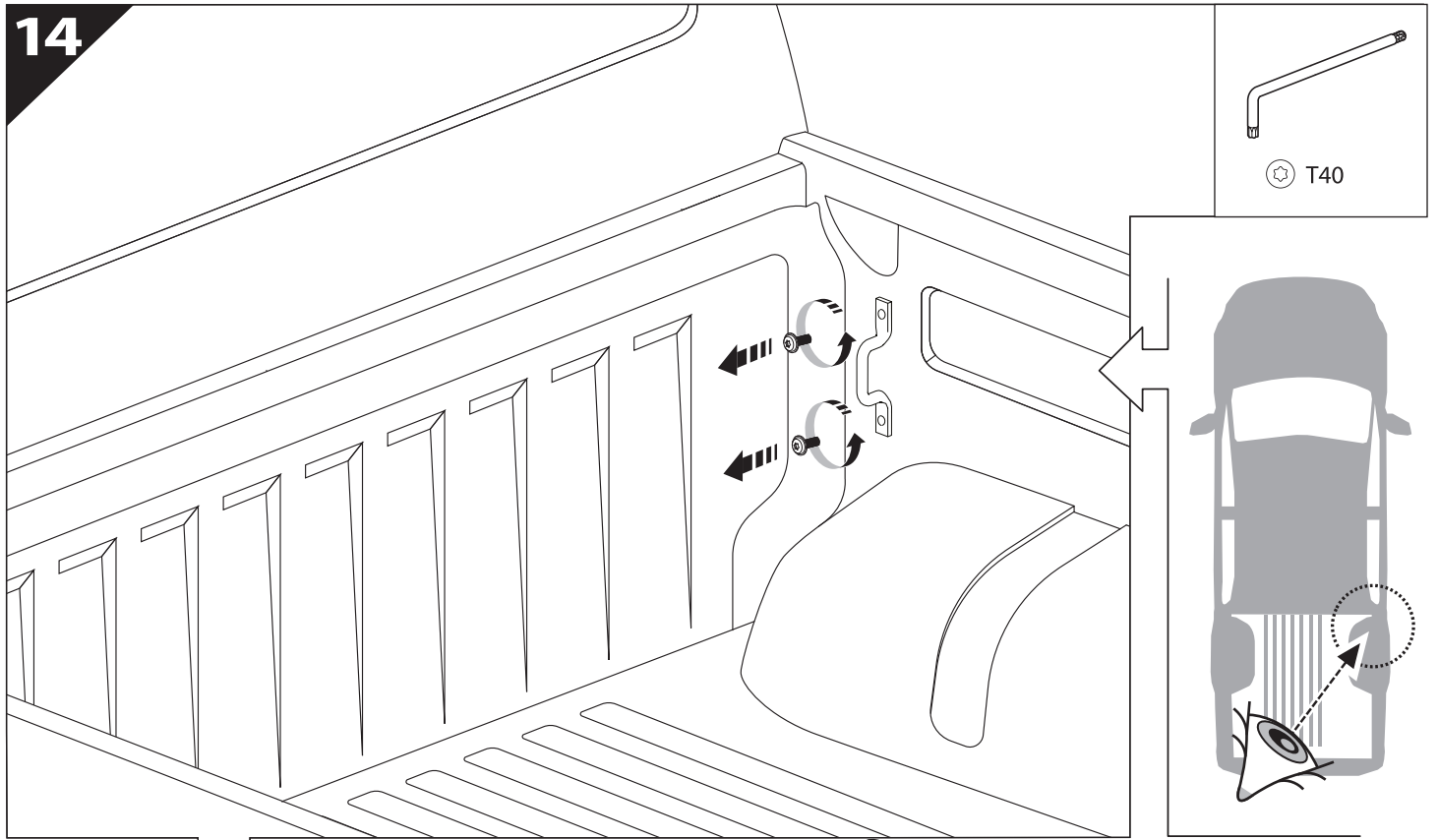


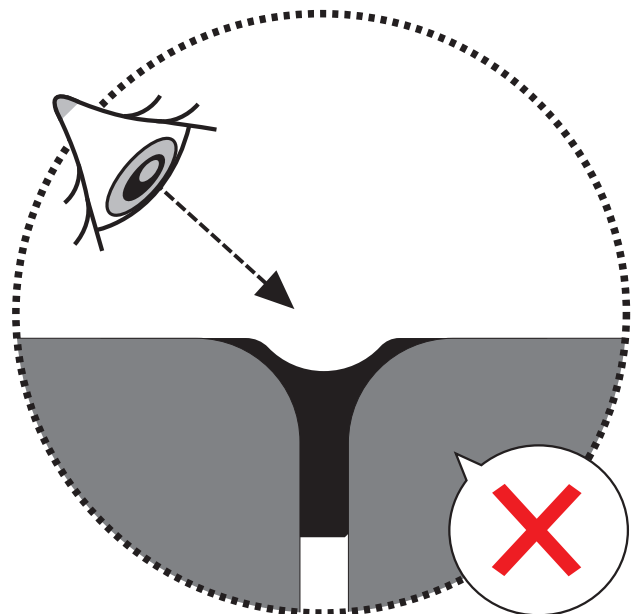
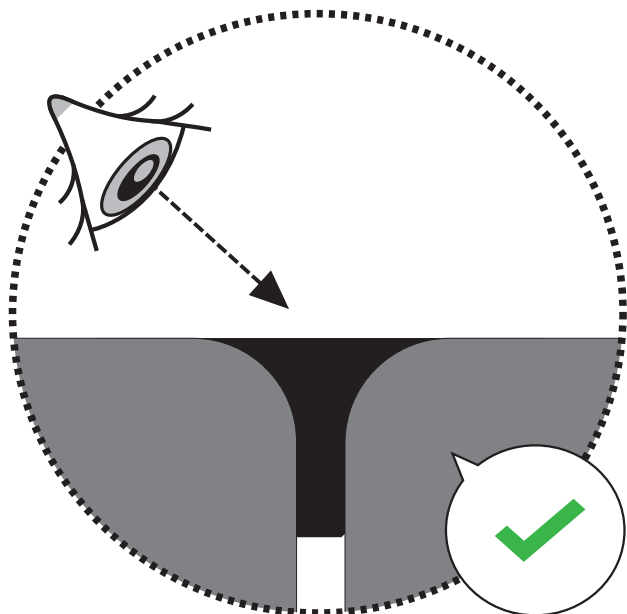
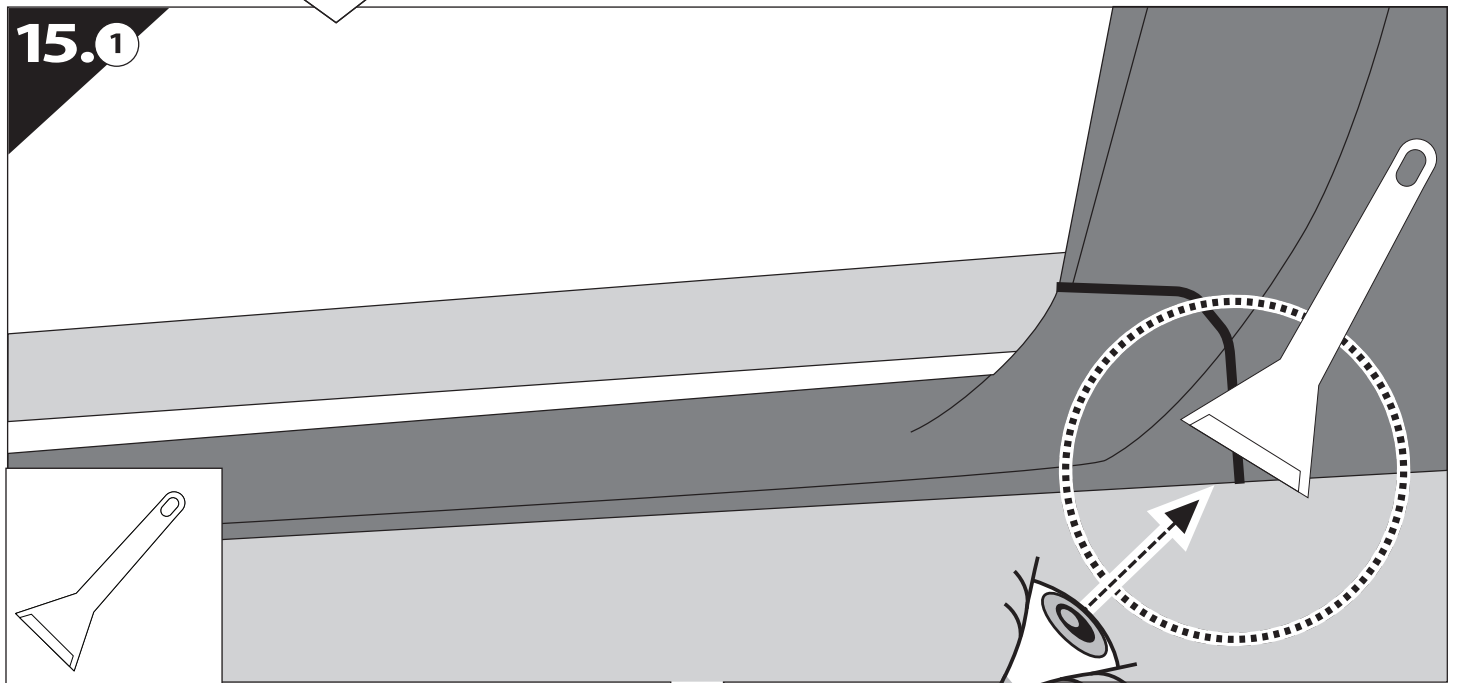
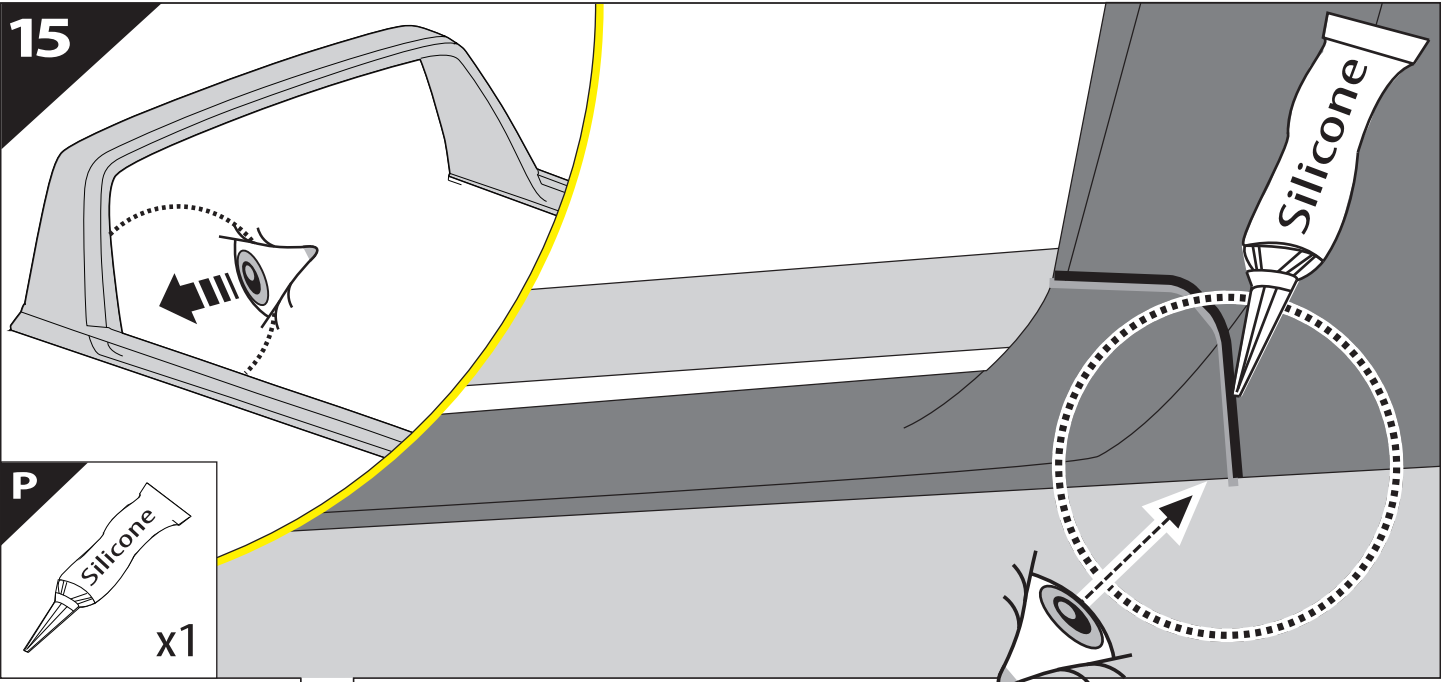
13

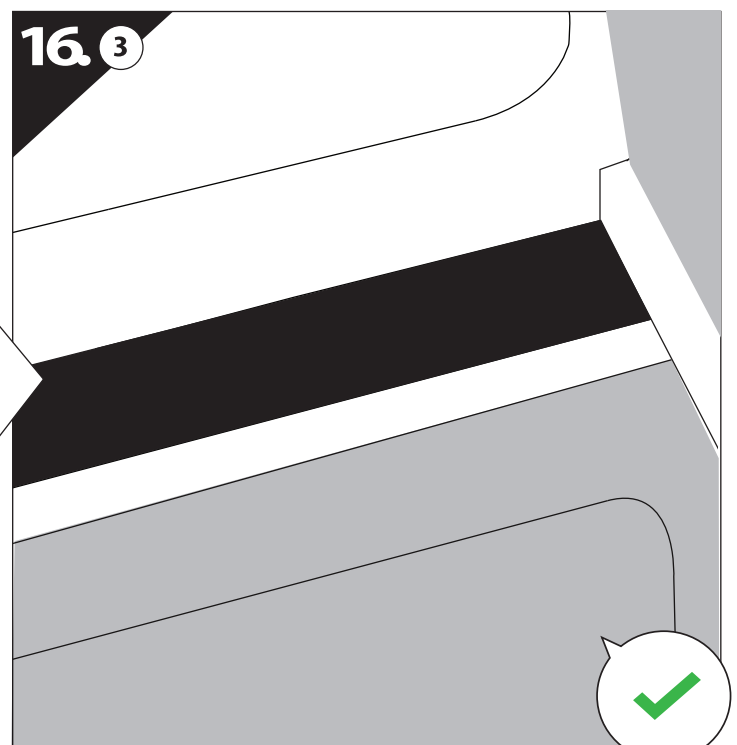
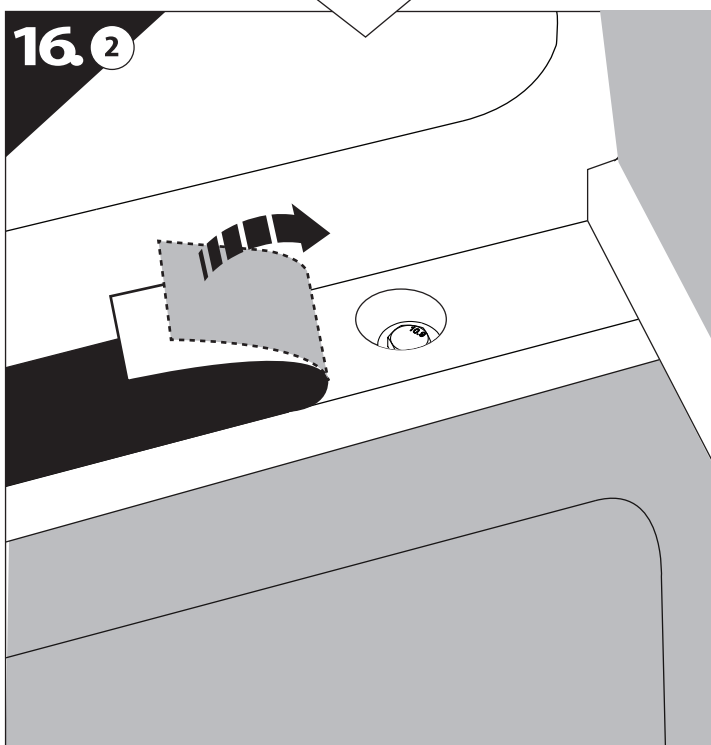
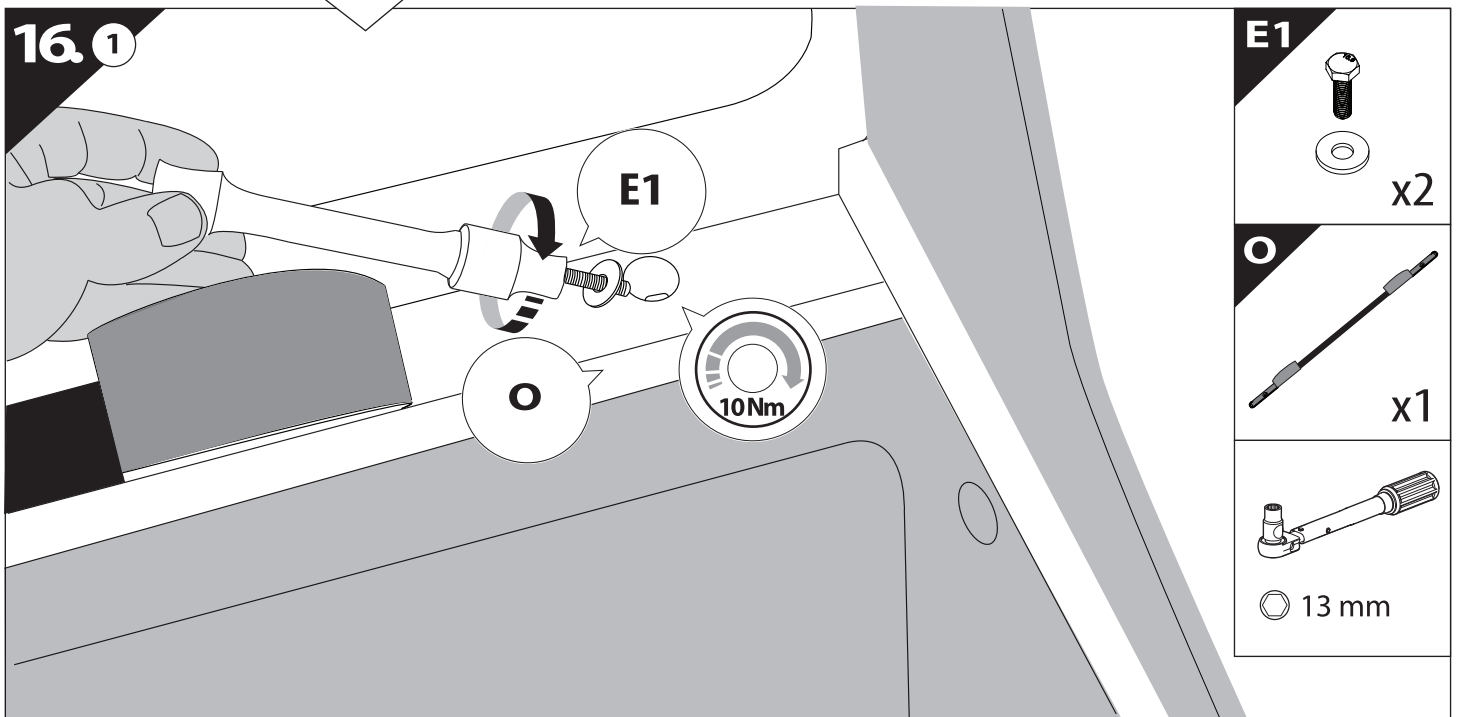
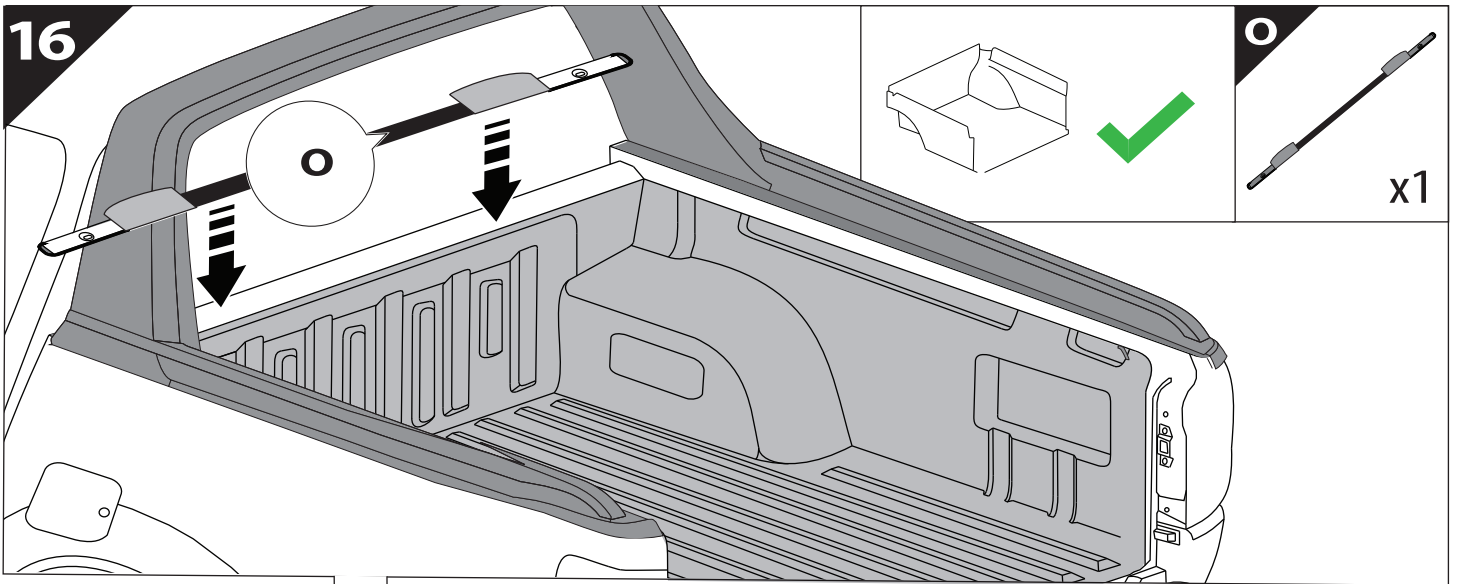


	CAR		TESSERA ROLL+
BEAM		↔	
STOP		↔	

14

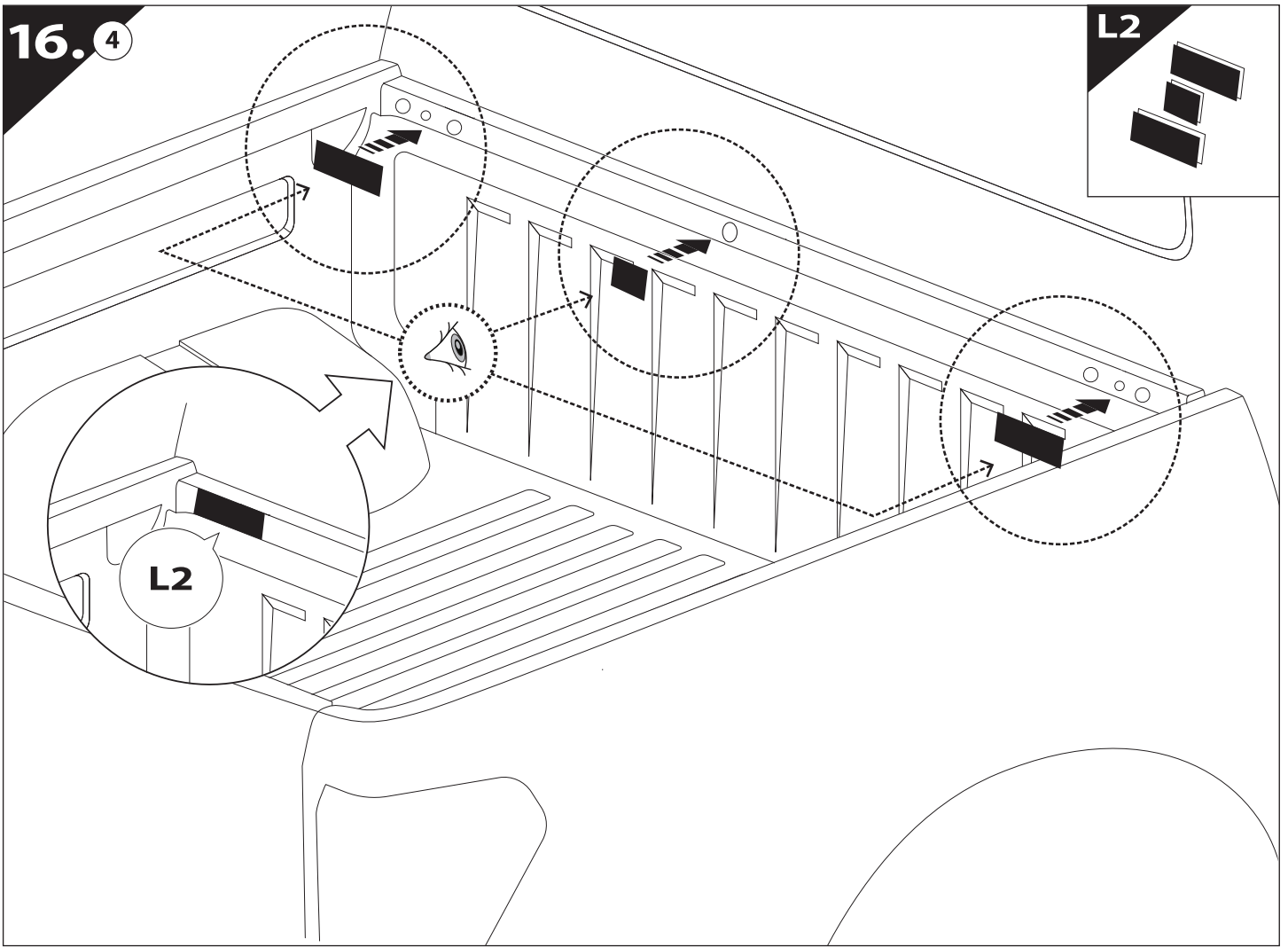


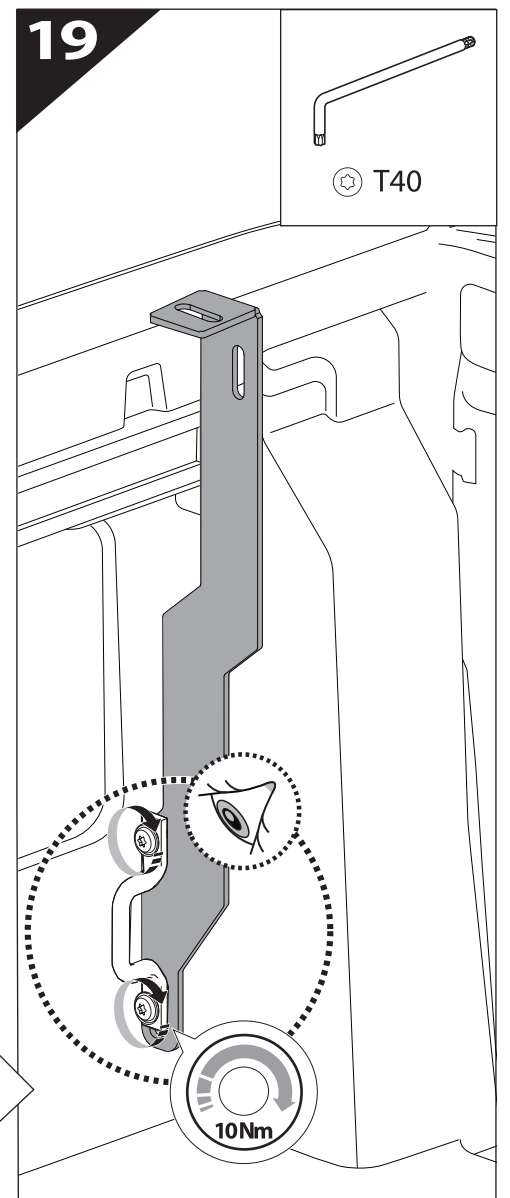
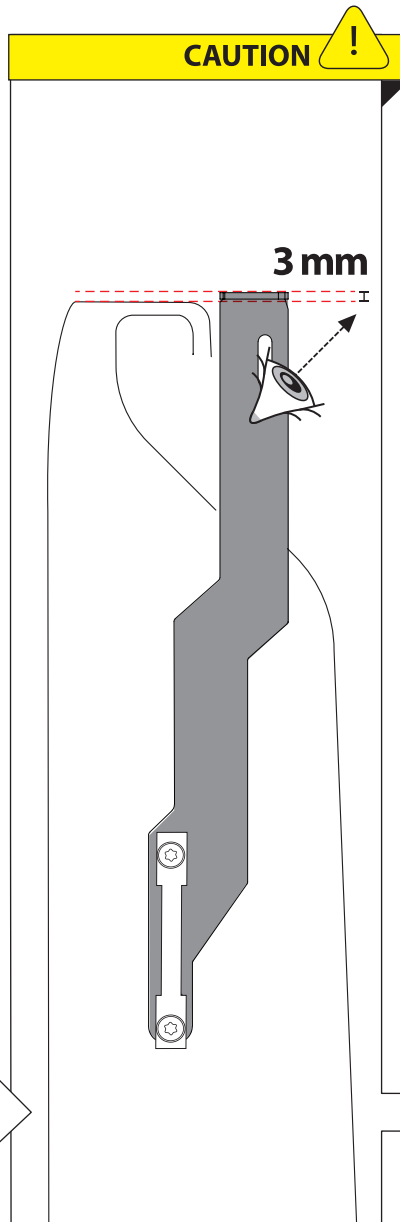
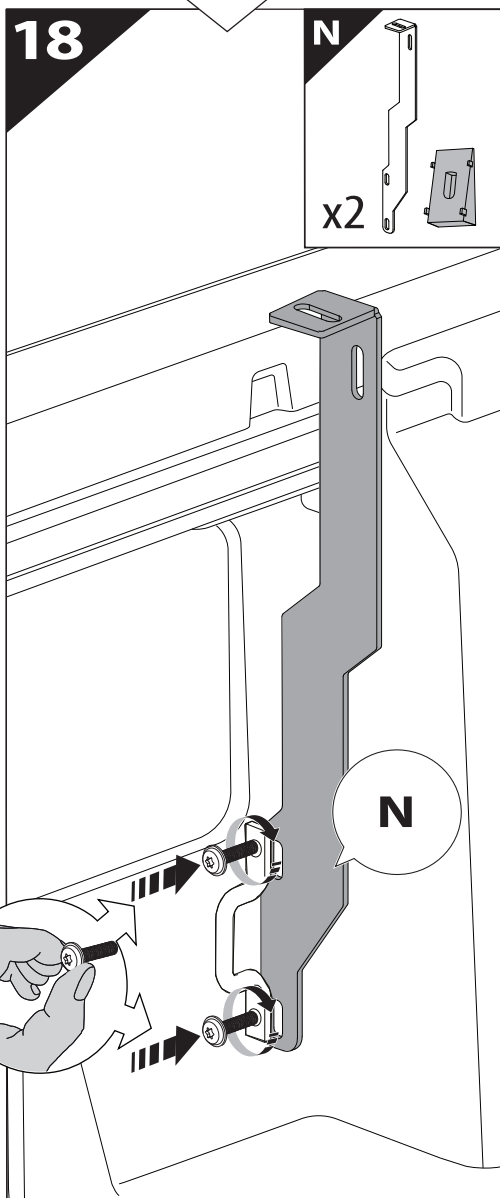
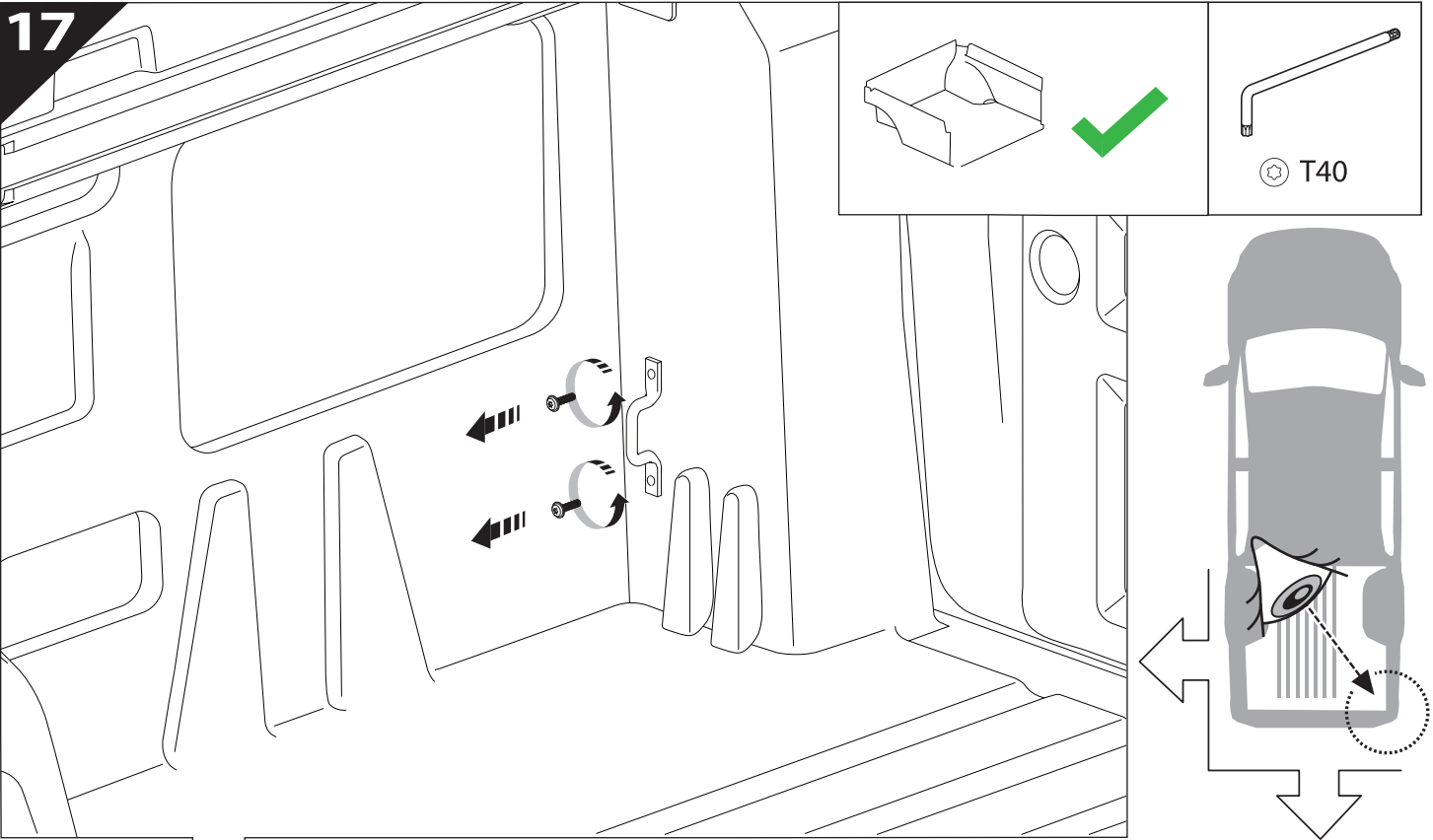




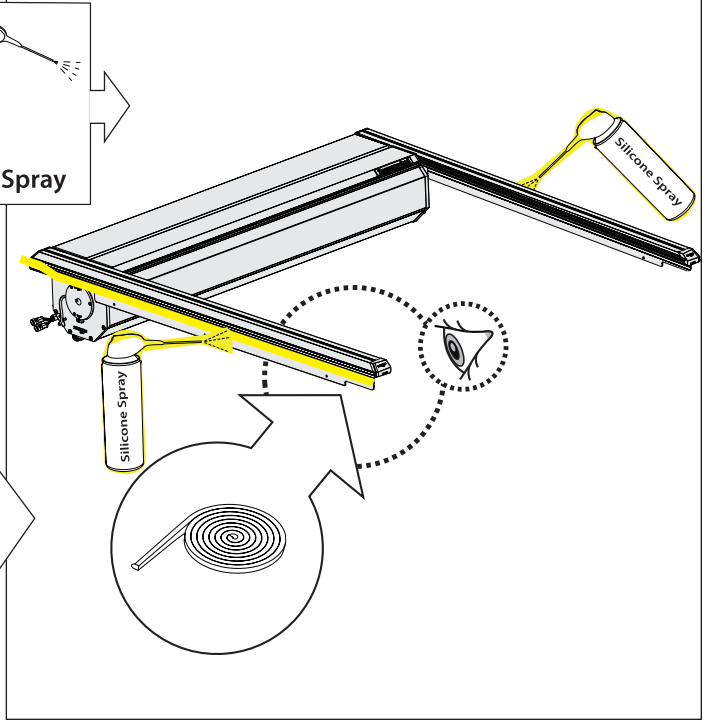
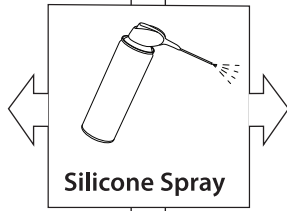
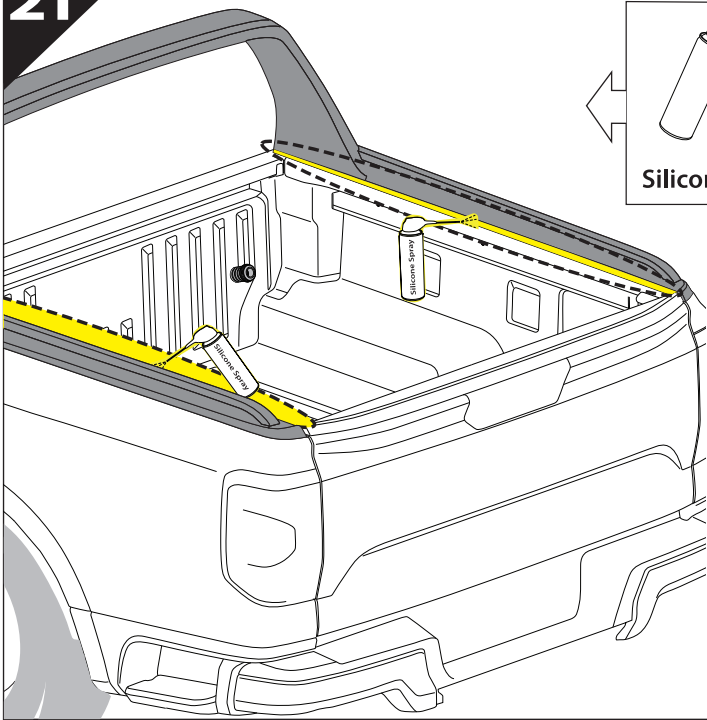
16.4

L2

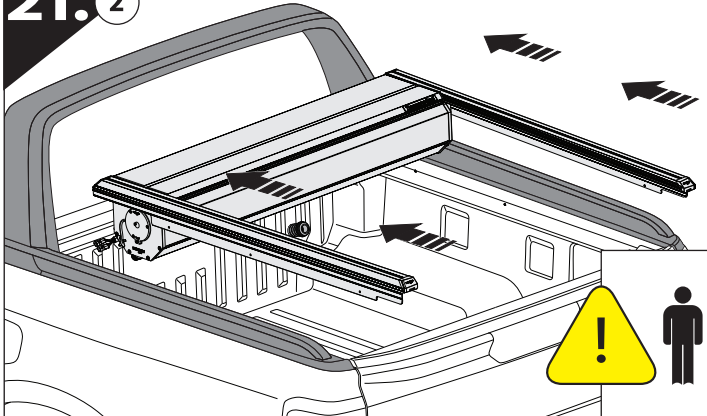




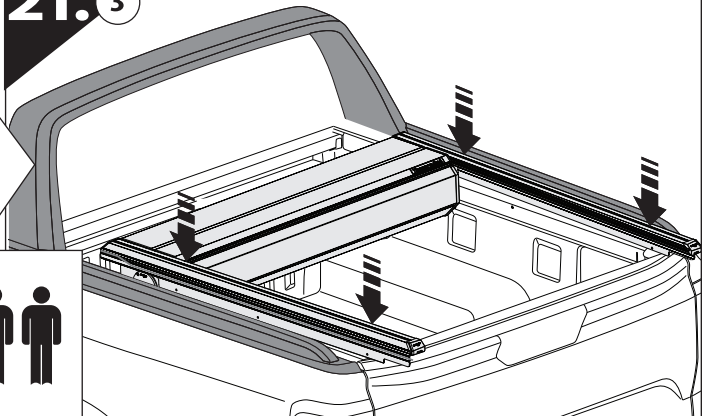
21



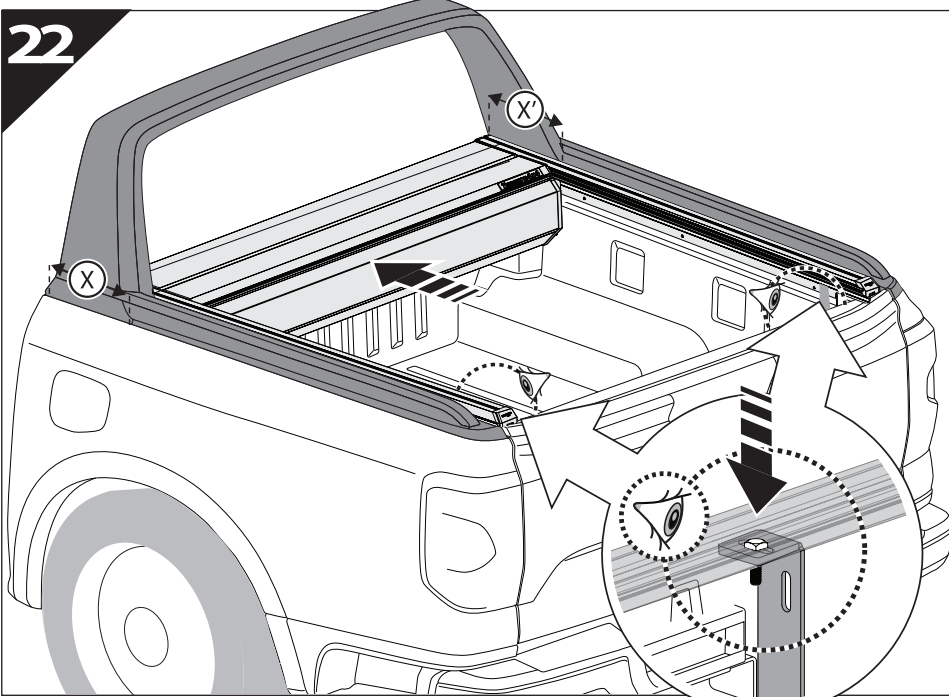
21.2

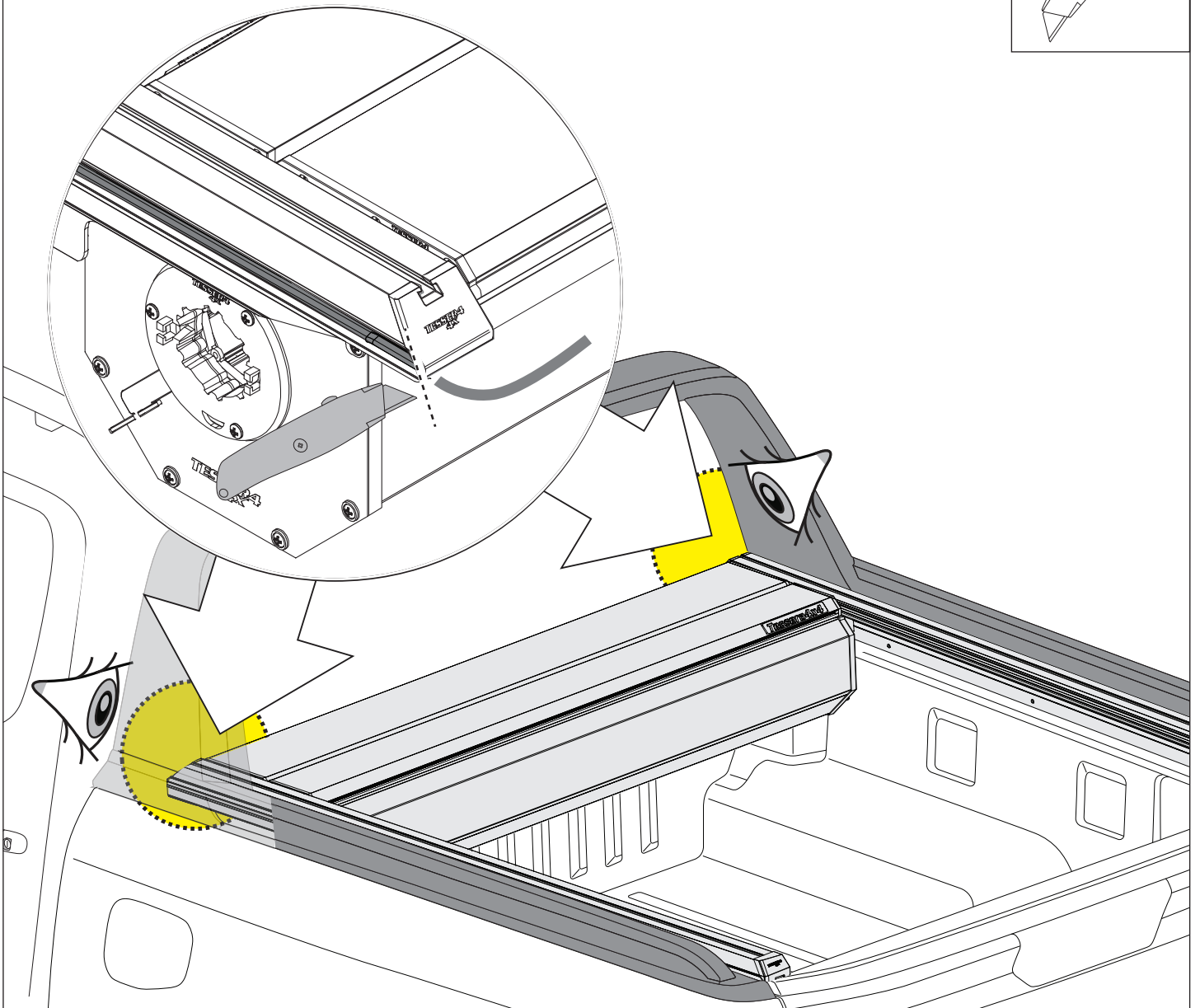
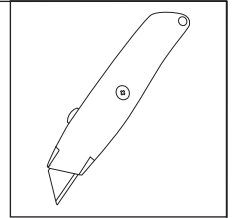


21.3

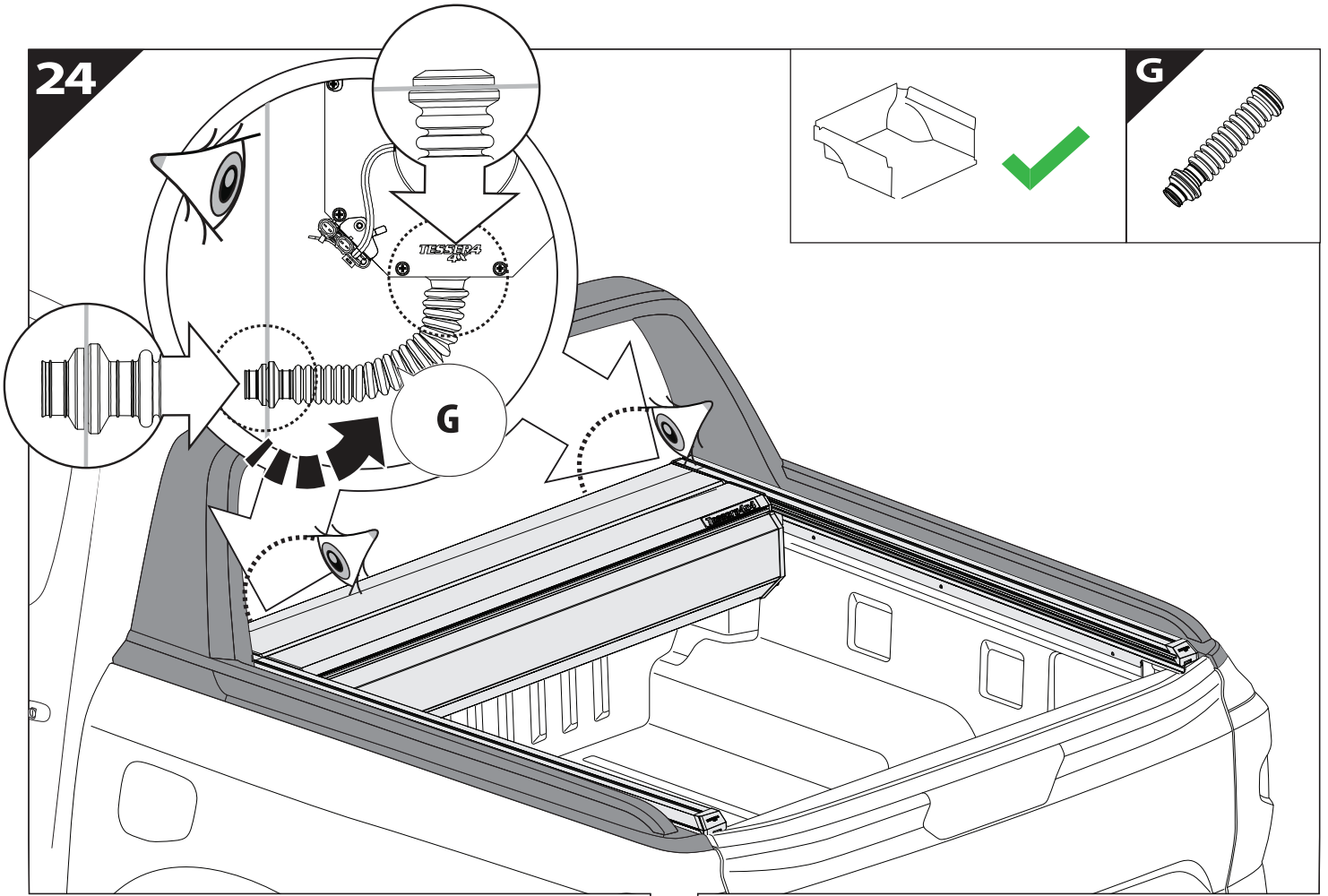


22

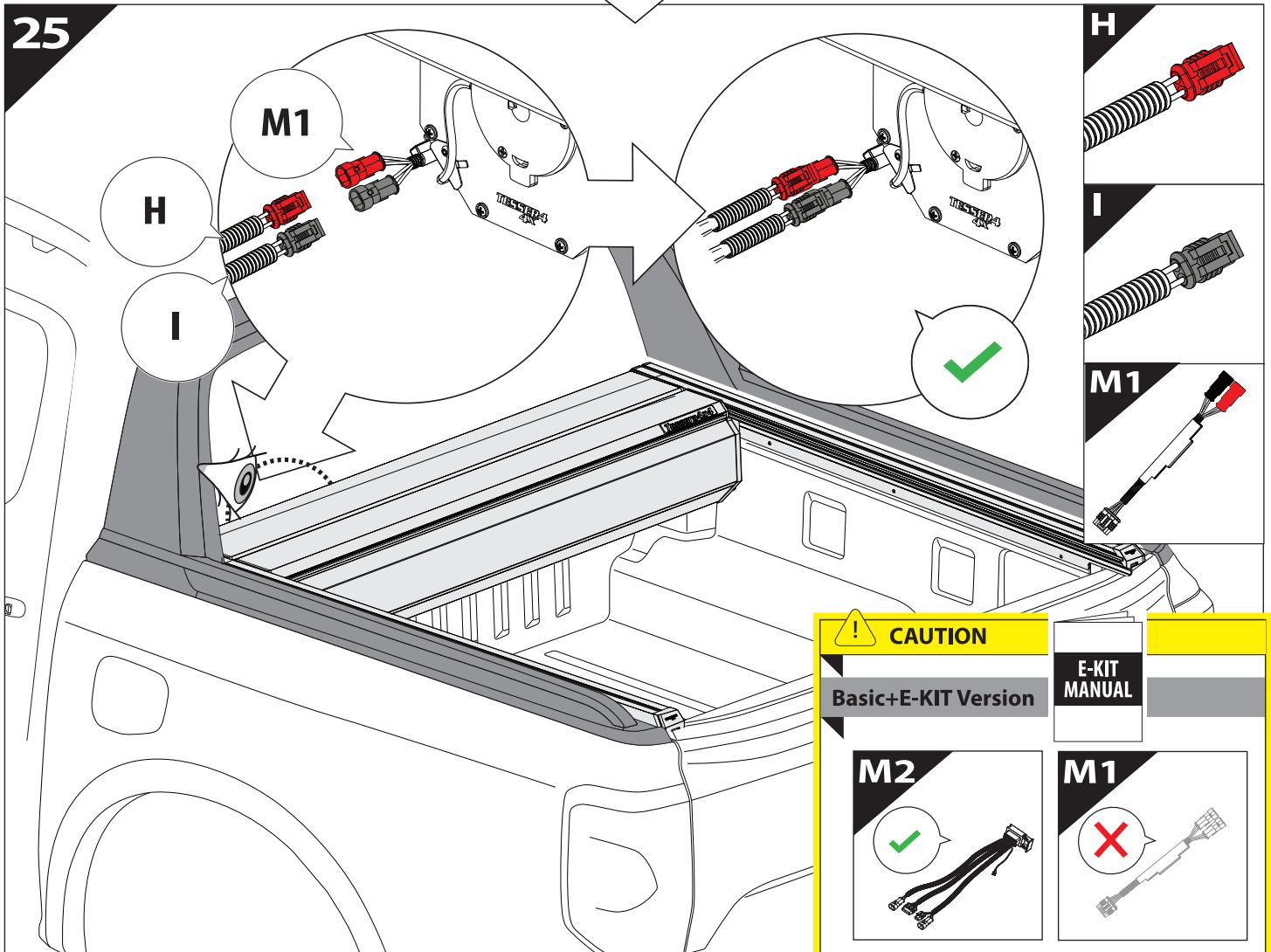




24

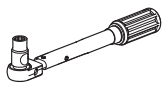
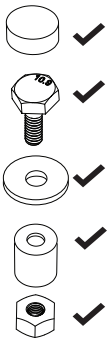


25

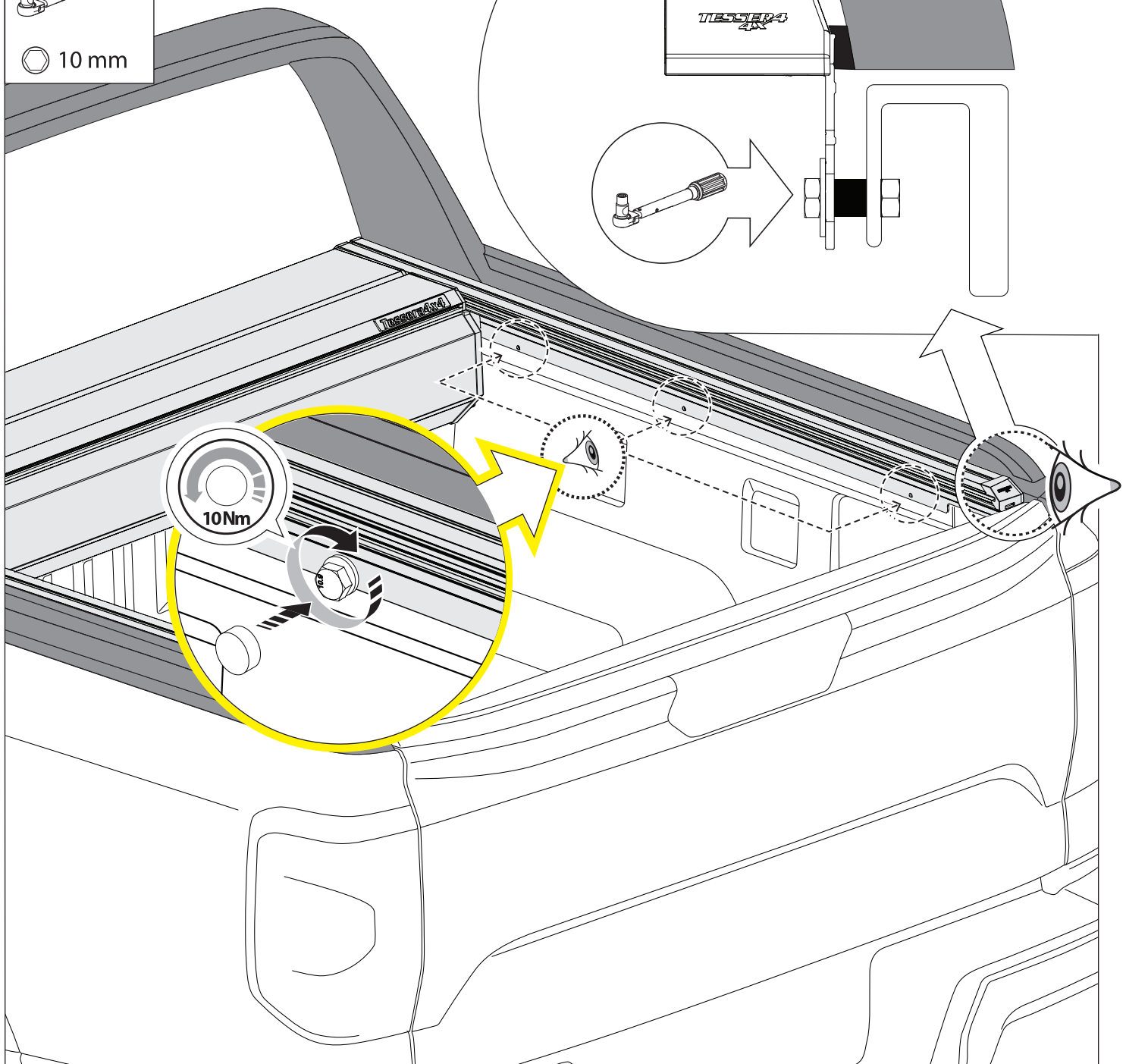
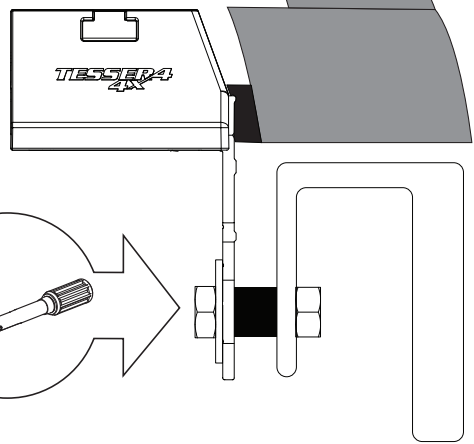
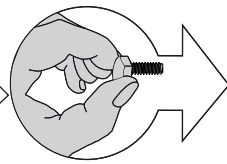
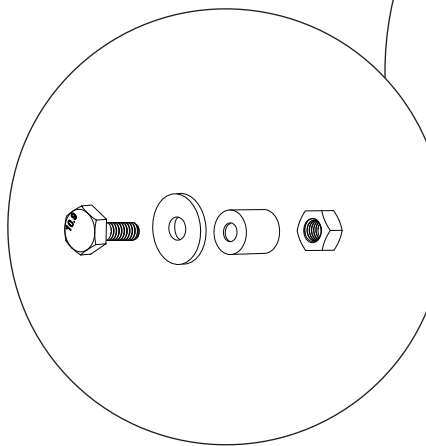


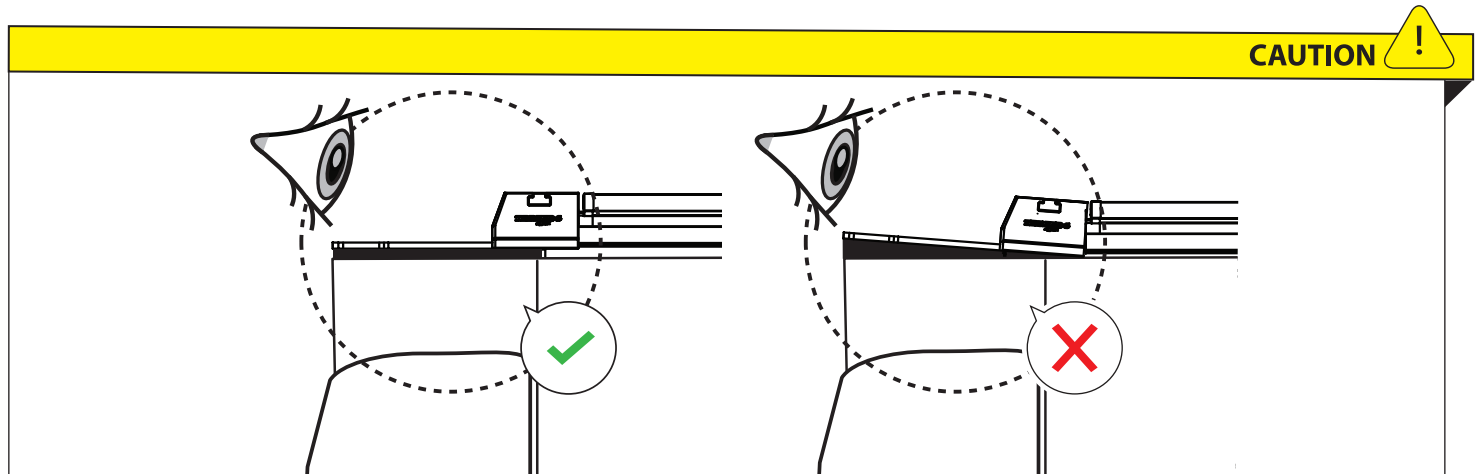
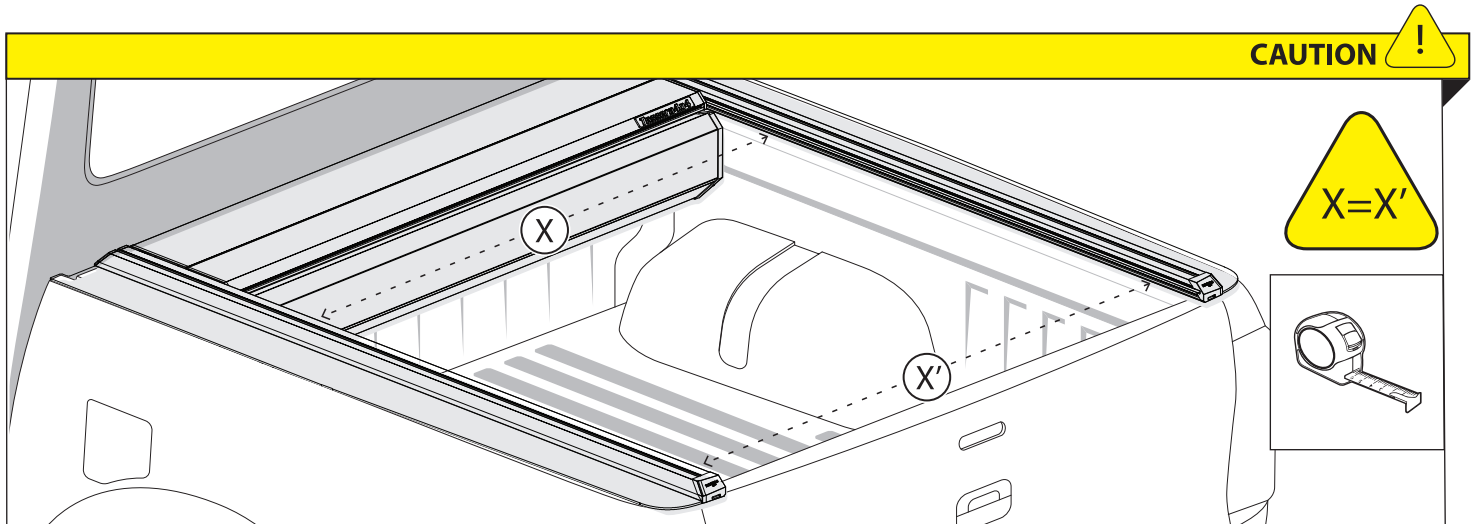
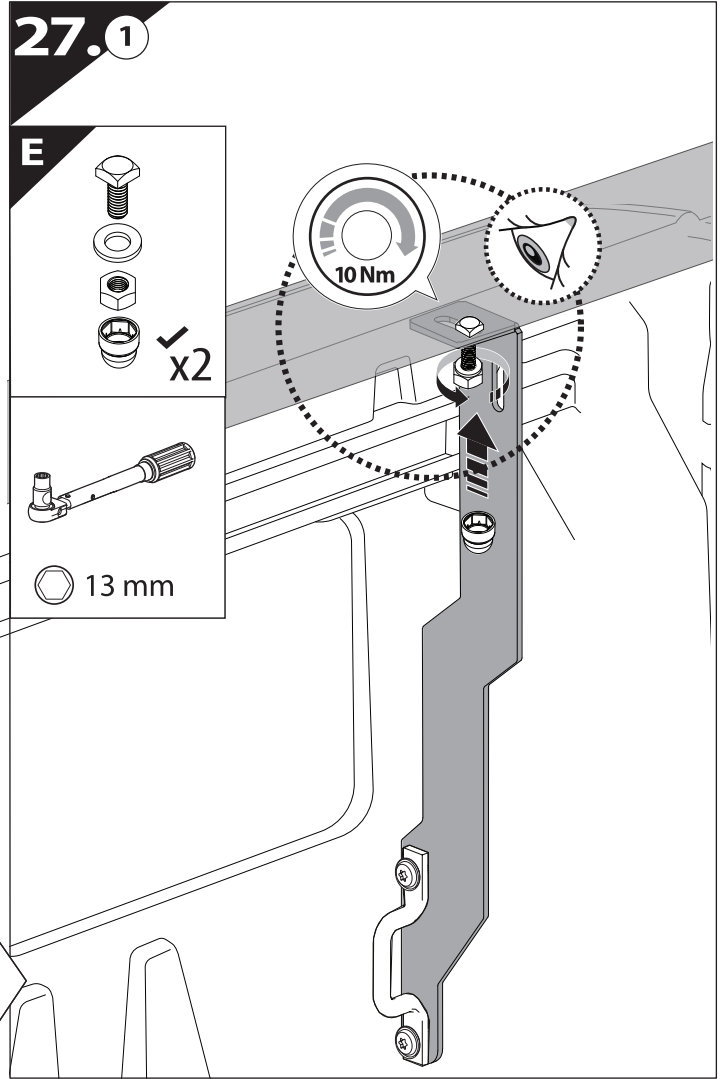
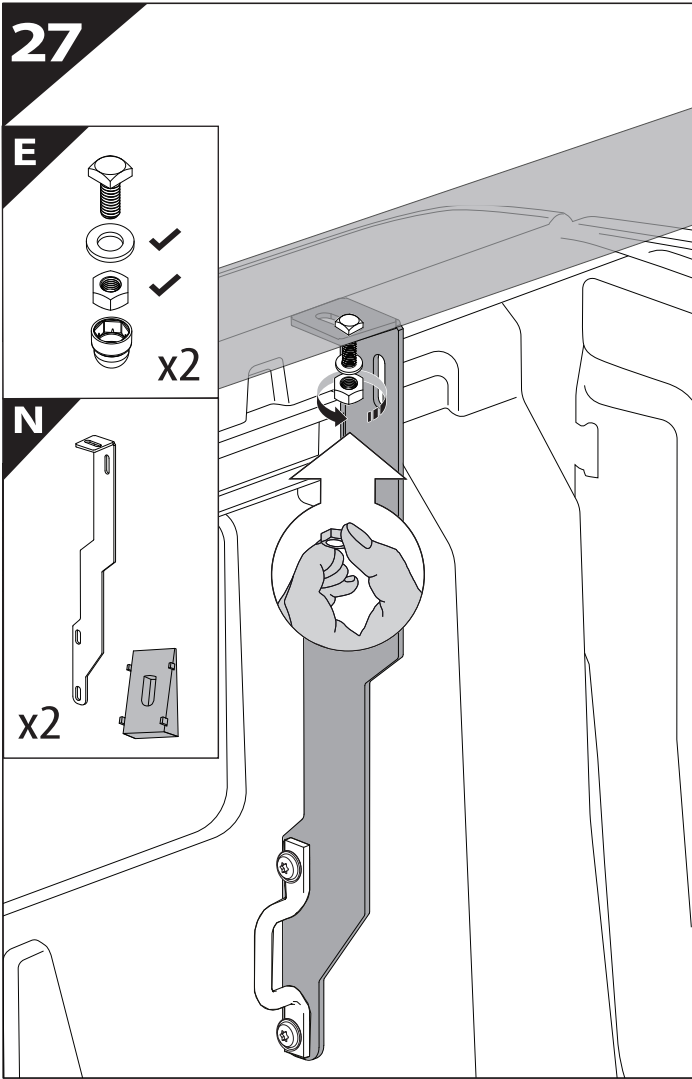
26

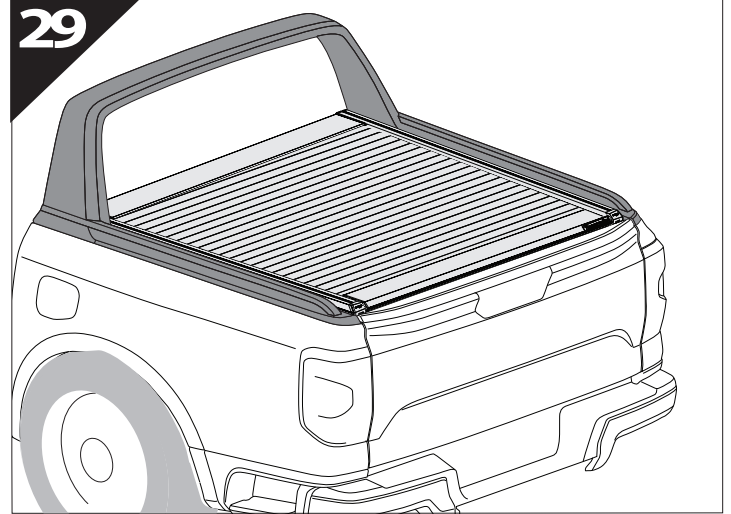
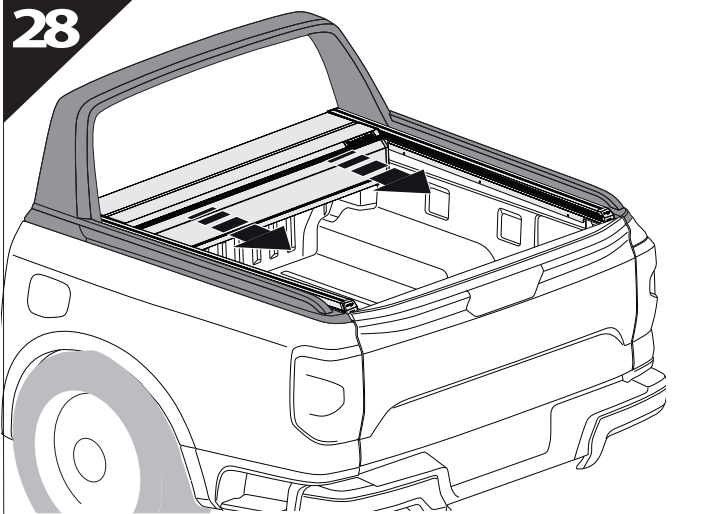
E2



10 mm







GR: Οδηγίες Εγκατάστασης
GB: Installation manual
SF: Asennusohje
F: Notice de montage
PL: Instrukcja montażu
NL: Installatie-instructies
TR: Montaj Talimatı
S: Monteringsanvisning
E: Instrucciones de montaje

H: Szerelési utasítás
P: Instruções de instalação
RUS: Инструкция по установке
N: Monteringsveiledning
D: Einbauanleitung
CZ: Návod k instalaci
I: Istruzioni de montaggio
DK: Monteringsvejledning
RO: Instructiuni de instalare

Customer Service:

+30 (210) 5541161, +30 (210) 5541154 (08:00 - 16:00 EET)

Support department:

info@gianso.gr

Website:

www.tessera4x4.com

Address:

19.5 km of National road Athens-Korinthos (Elefsina) Greece, P.C: 19200