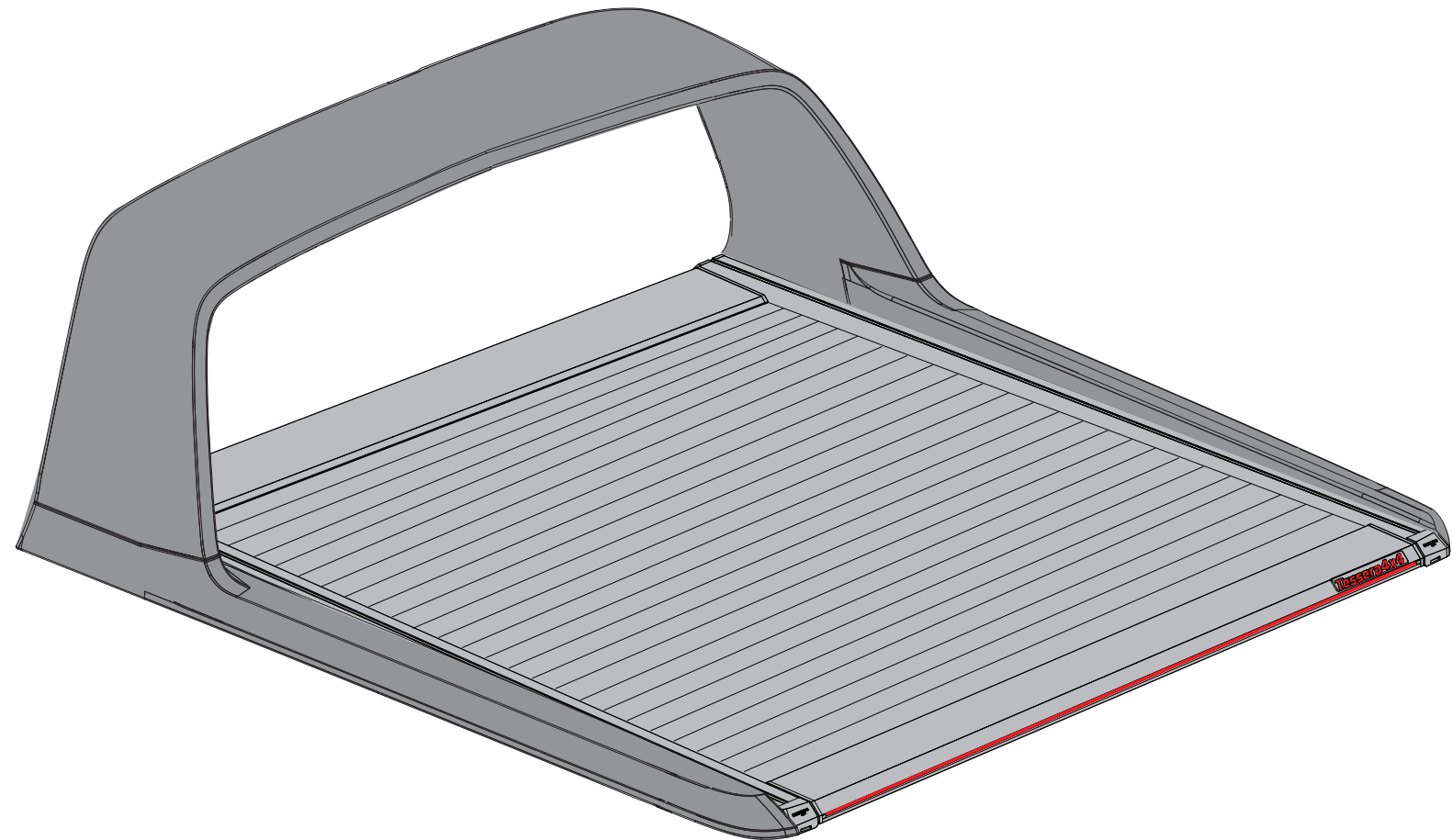


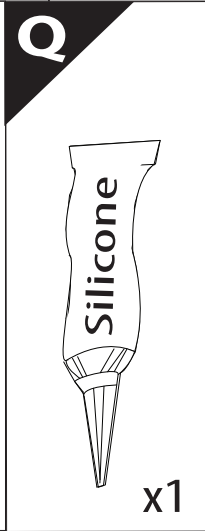
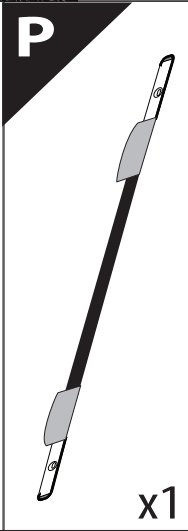
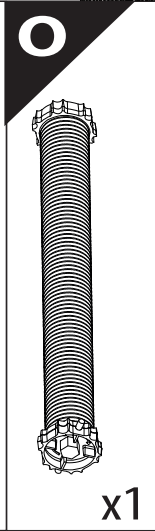
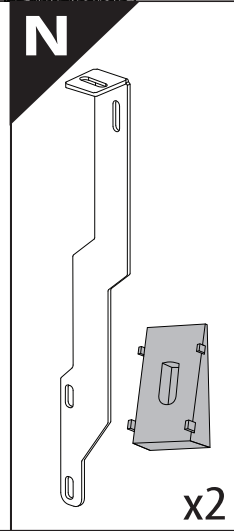
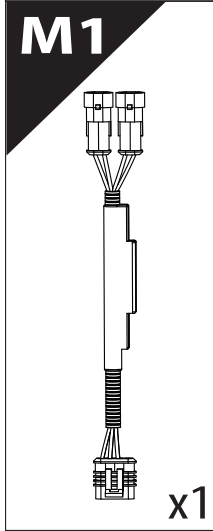
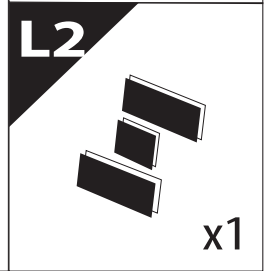
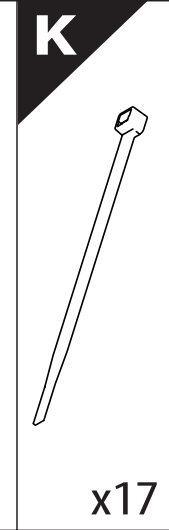
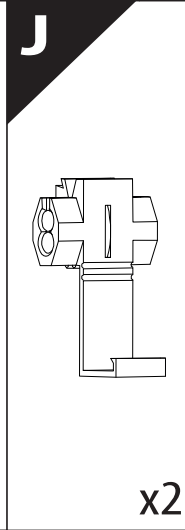
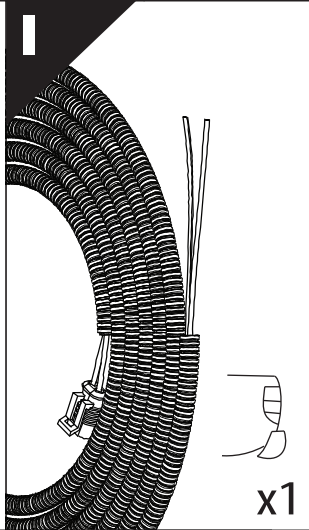
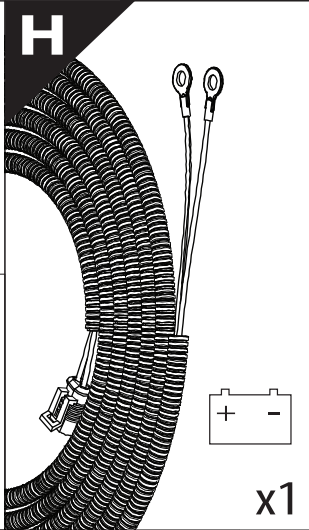
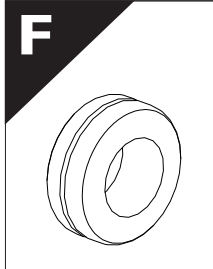
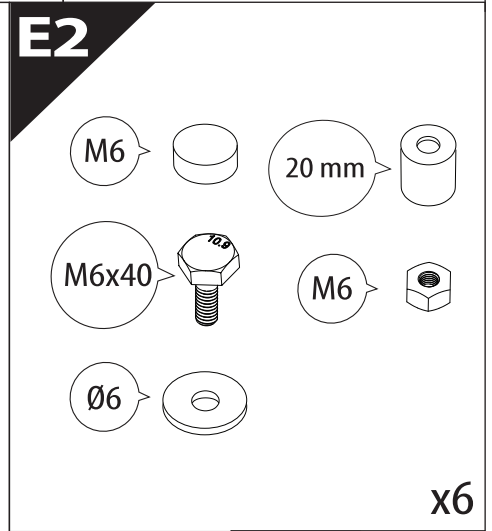
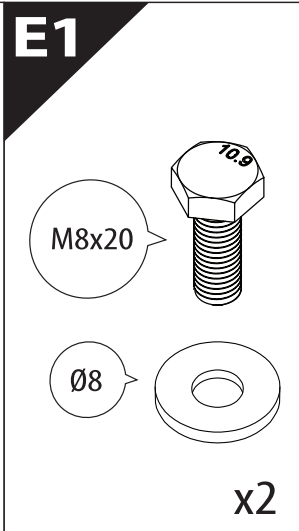
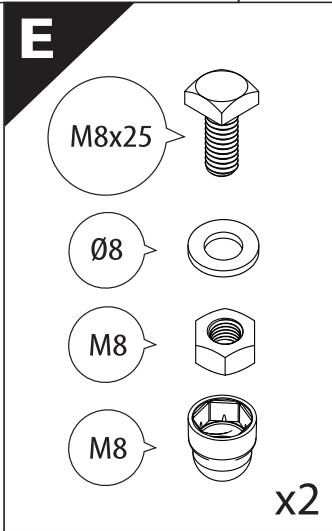
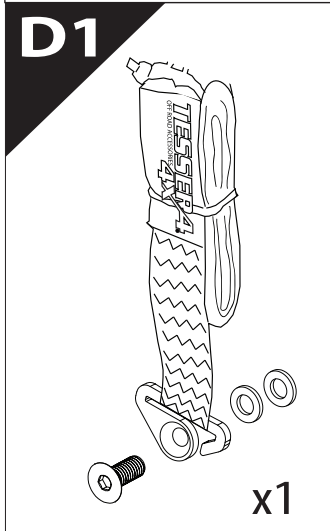
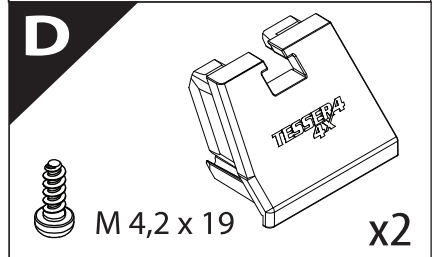
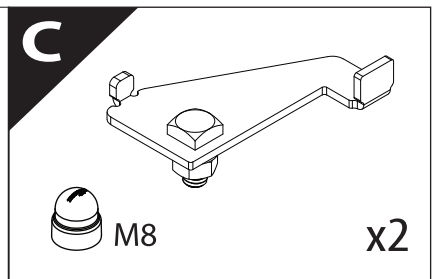
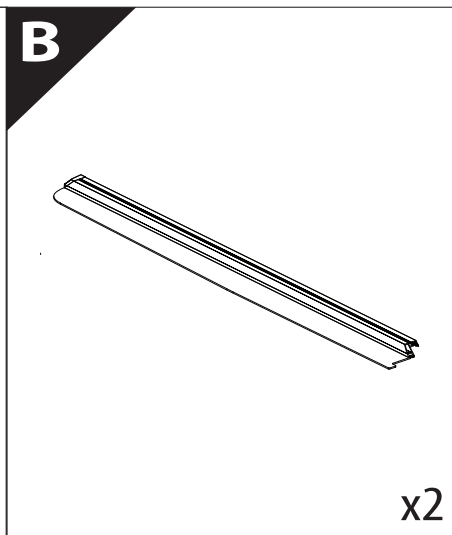
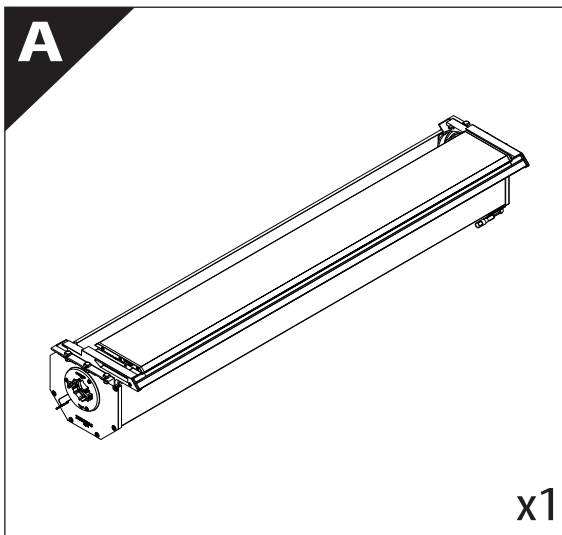
Tessera Roll+

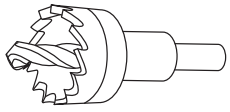
Basic Version + ⚙️ S-KIT



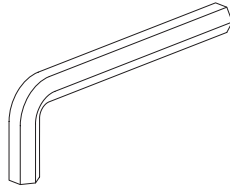
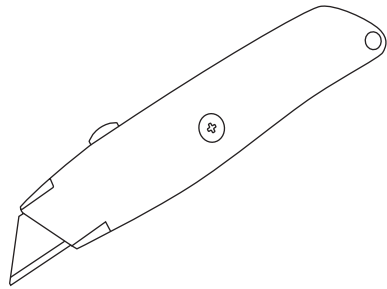
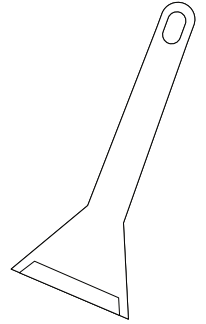
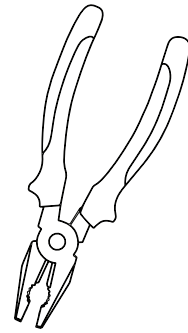
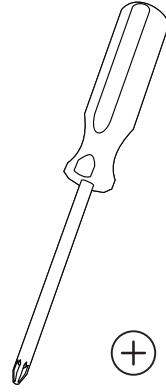
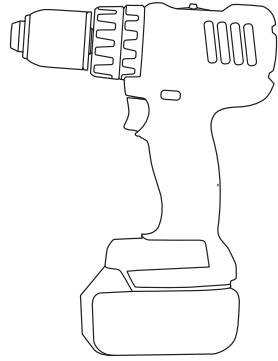
Installation Manual

PART NUMBER(S)	Model Year
TESS 14180 ROLL+S-KIT	VW AMAROK AVENTURA 2023+
Cab(s)	Installation Time / Weight
Double Cab	40-60 minutes / 53-57 kg



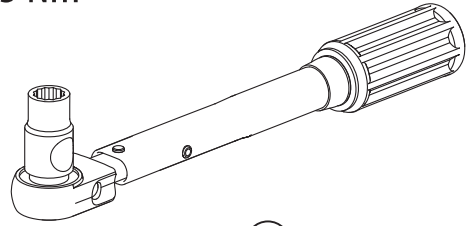


Ø 25 mm / Ø 40 mm

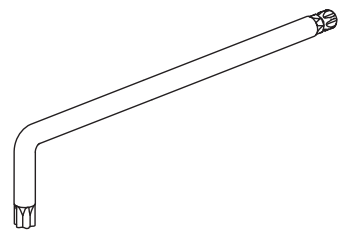
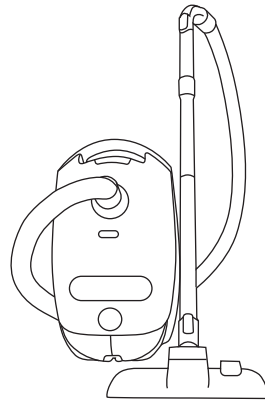
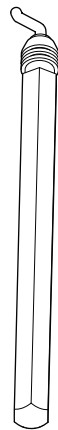
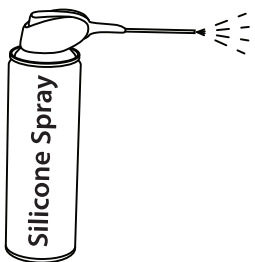
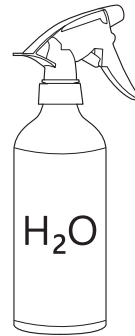
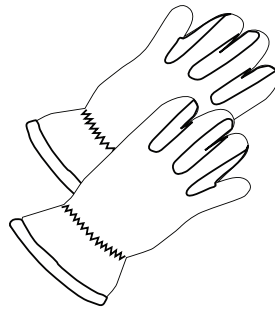
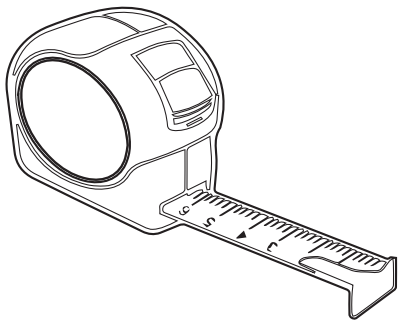


4 mm

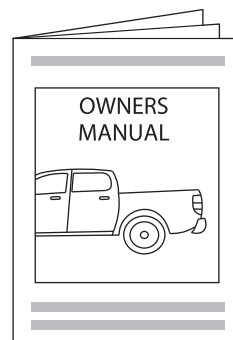
1 - 25 Nm



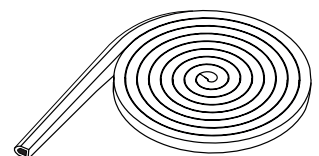
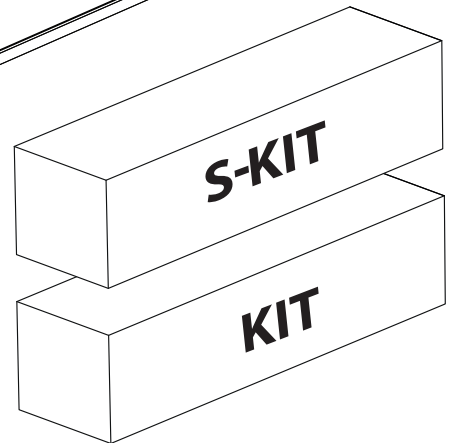
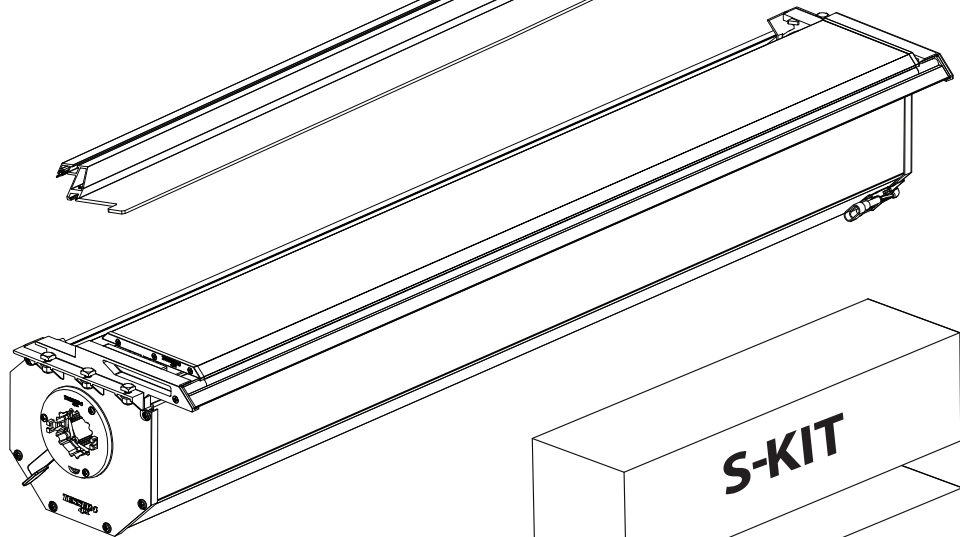
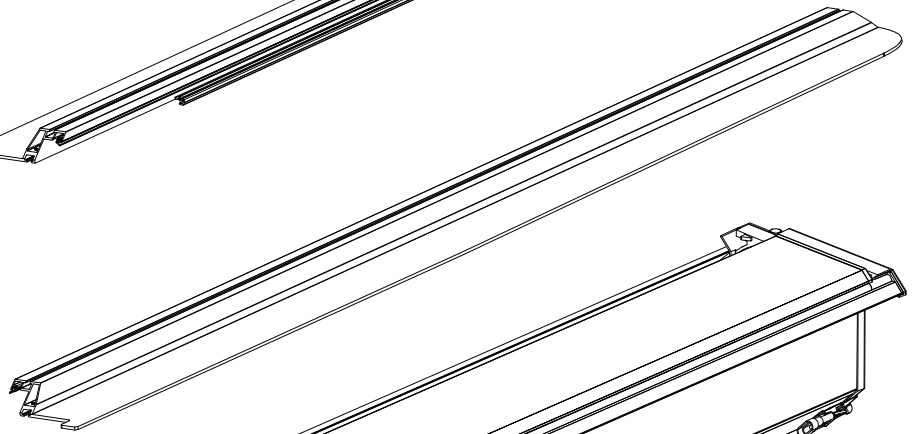
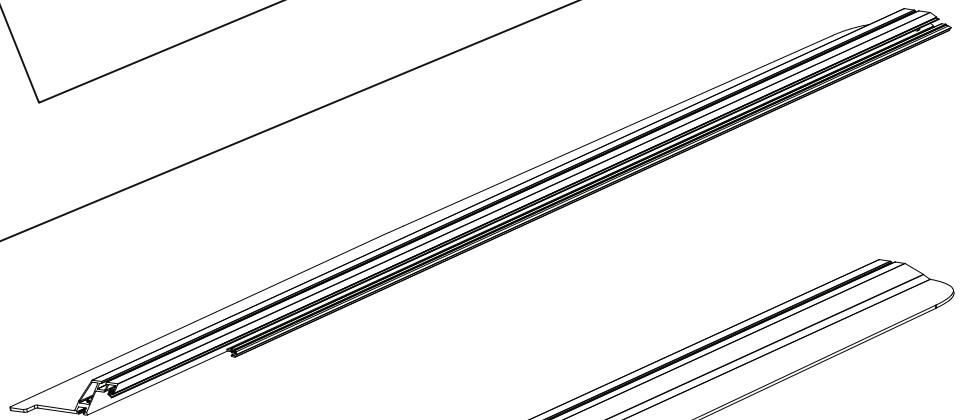
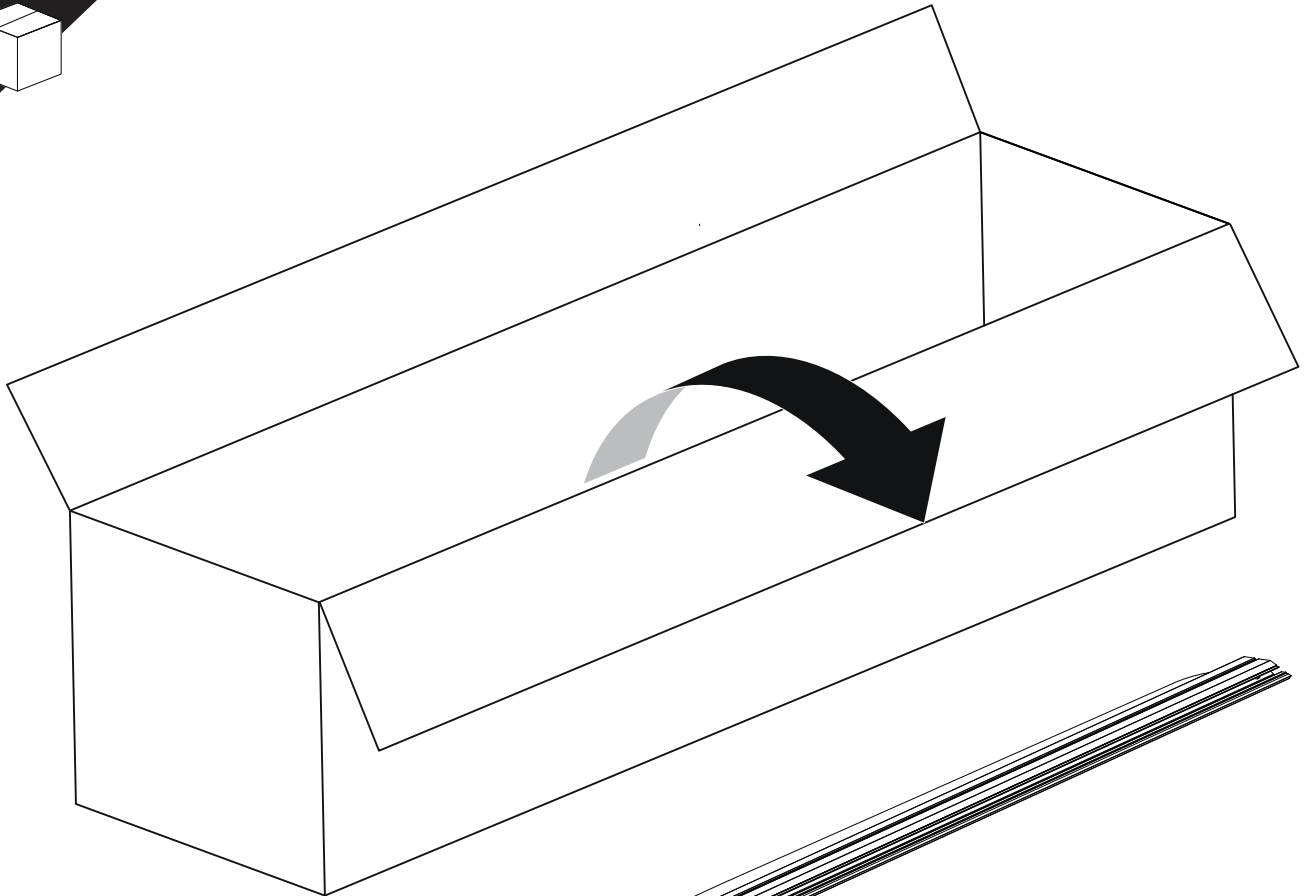
12, 13, 17 mm



T30, T40



x1

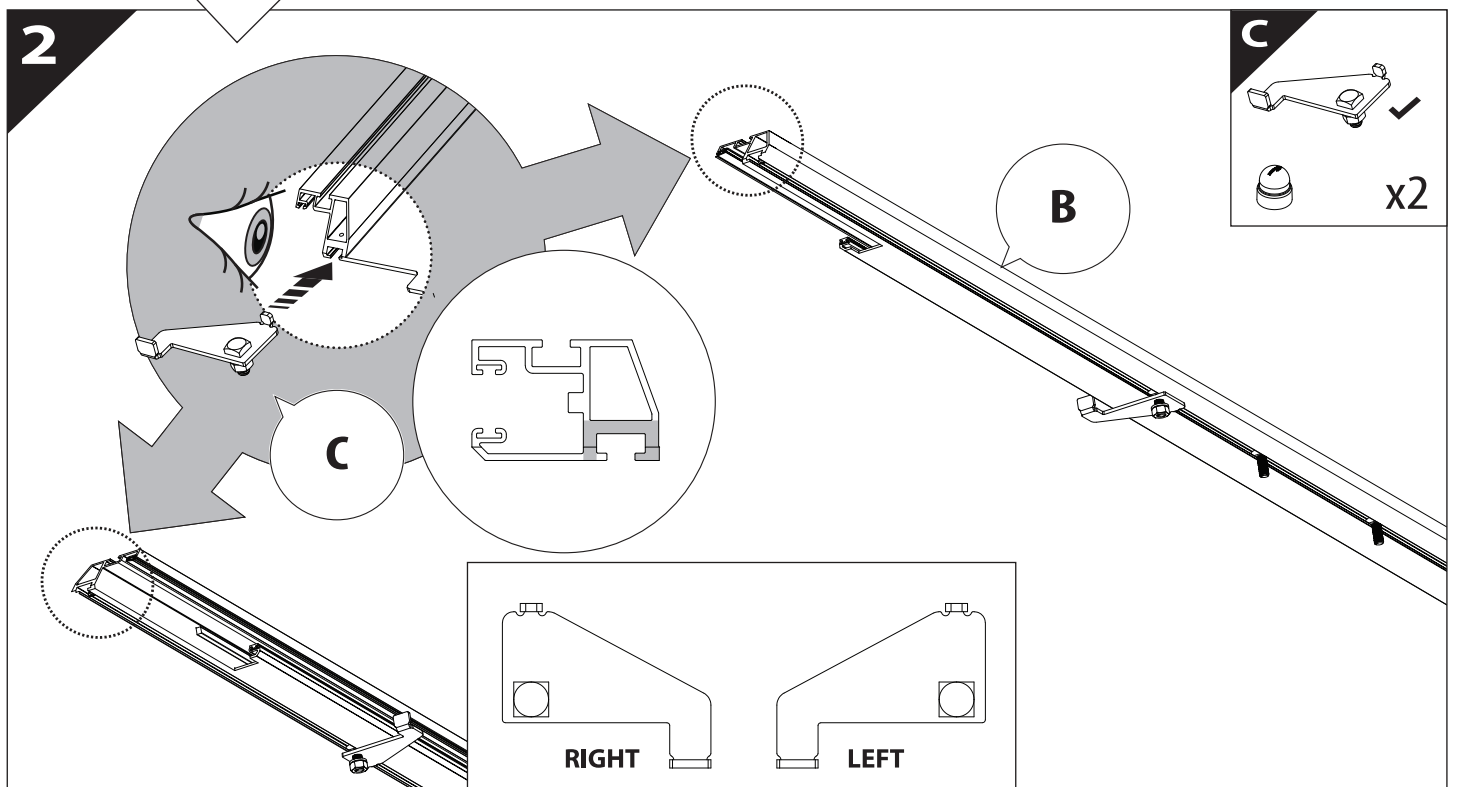
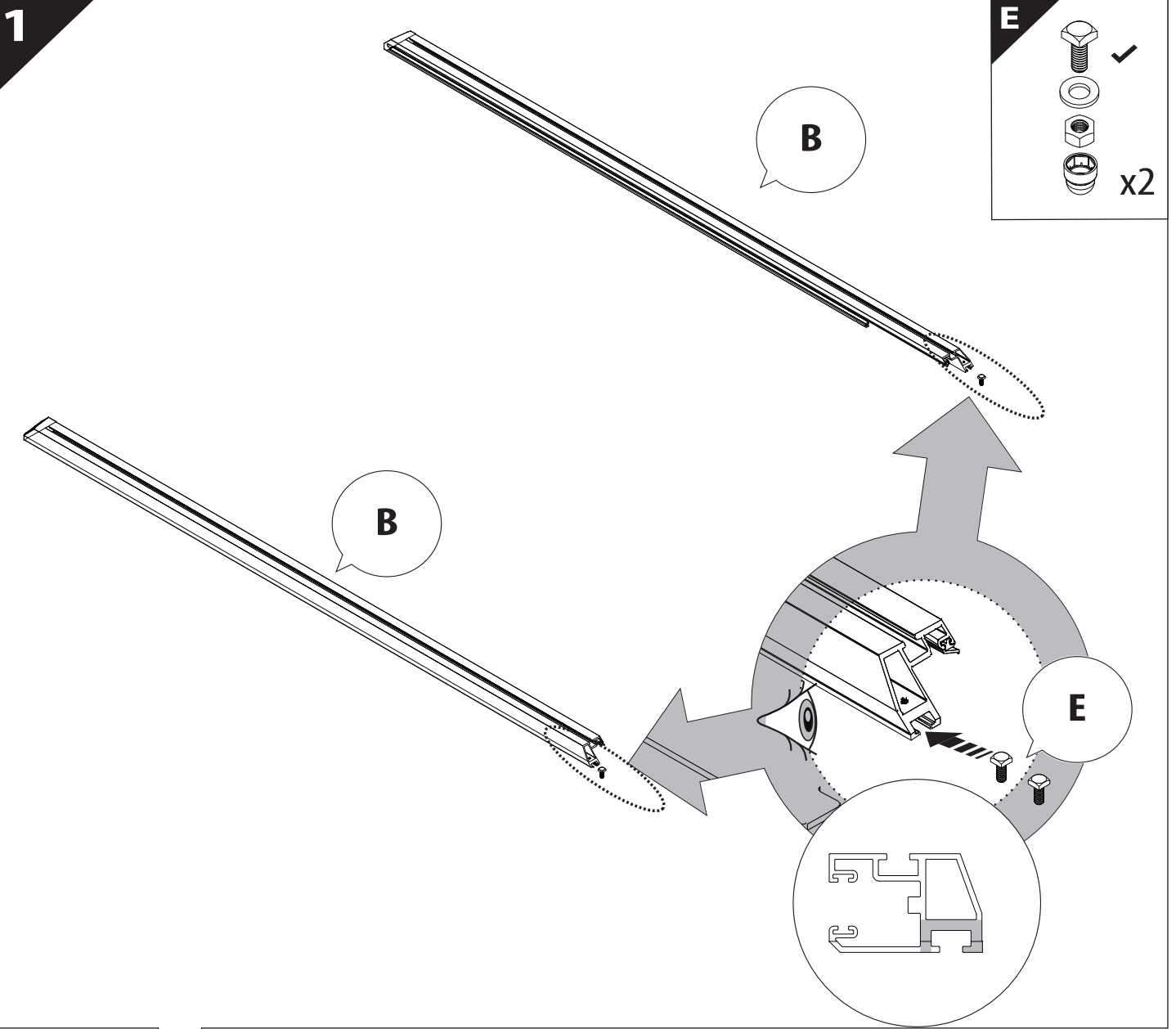


B

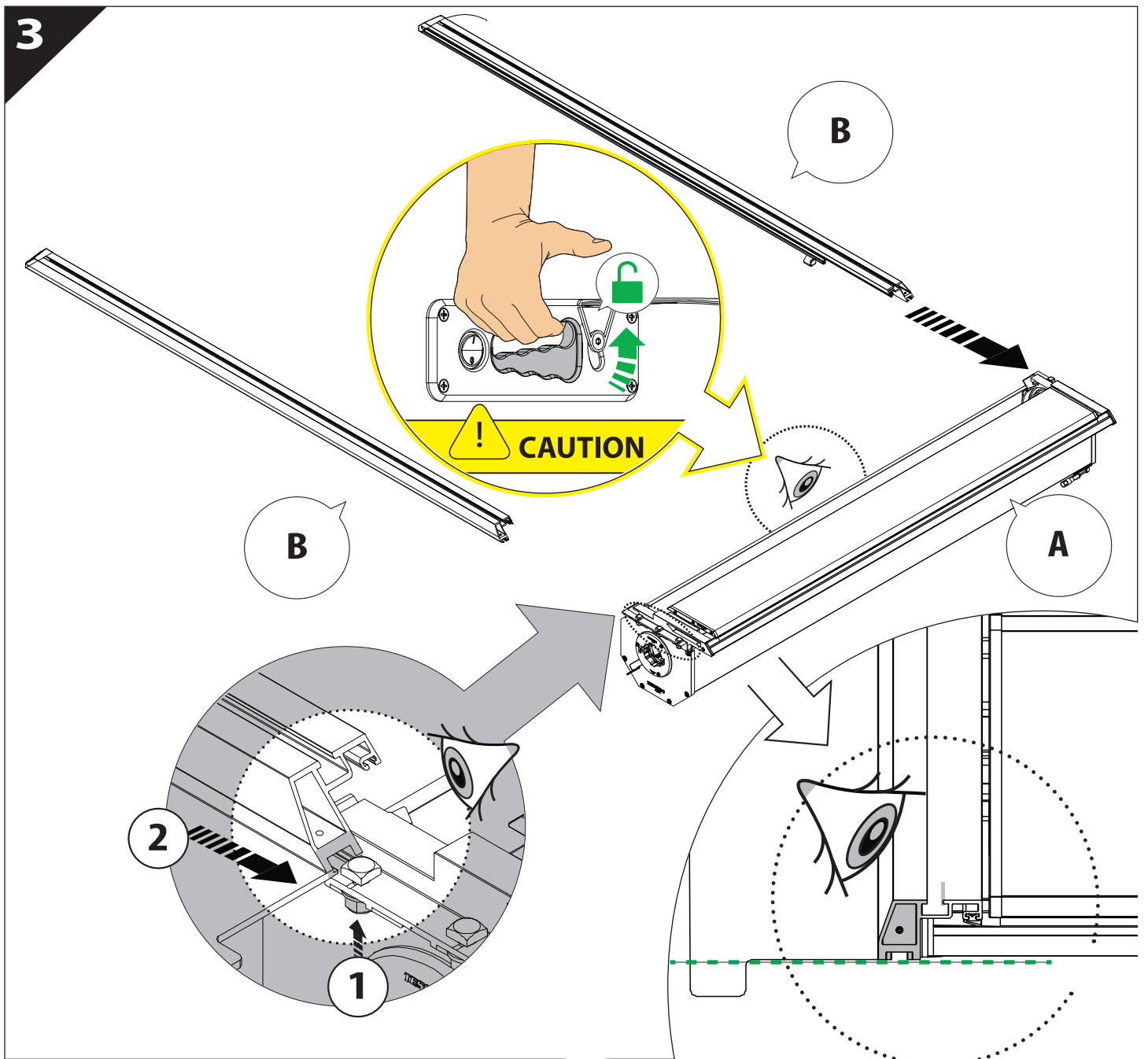
A

KITS

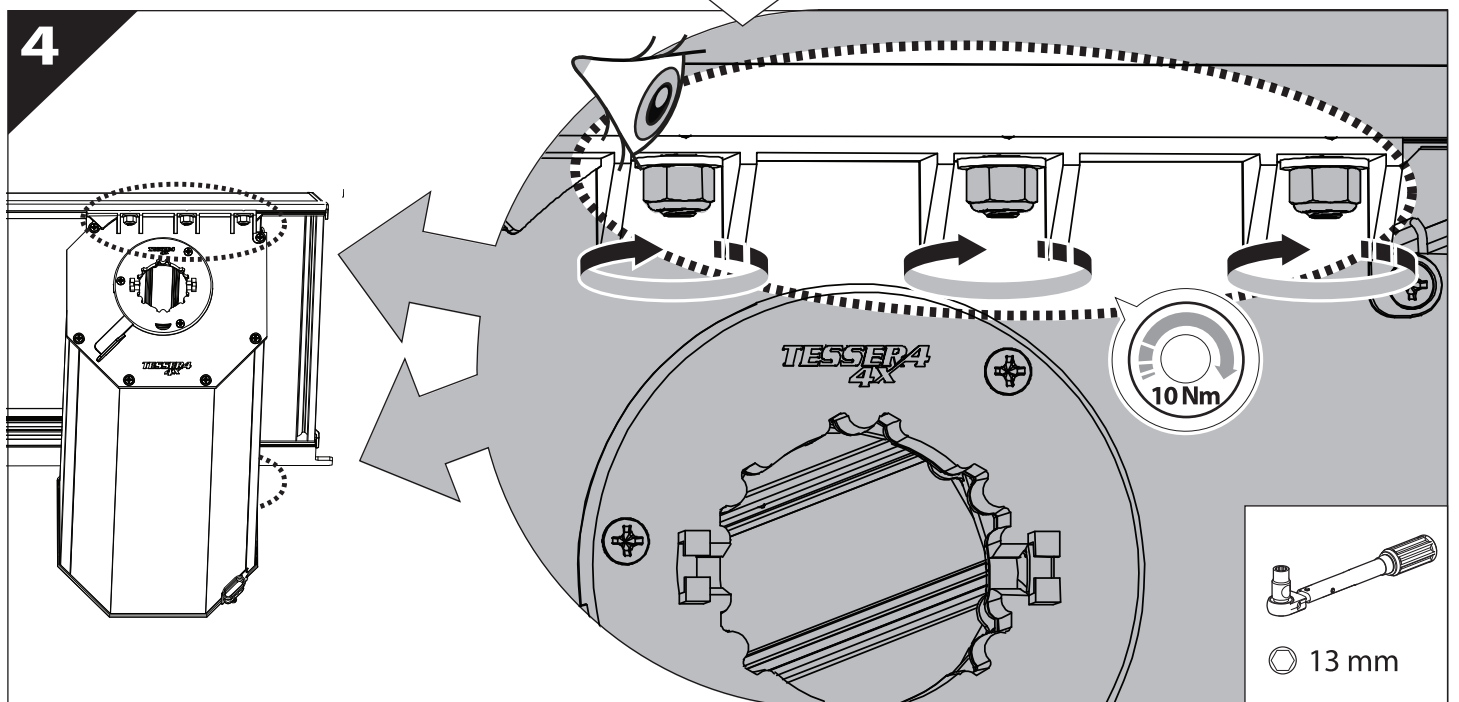
L

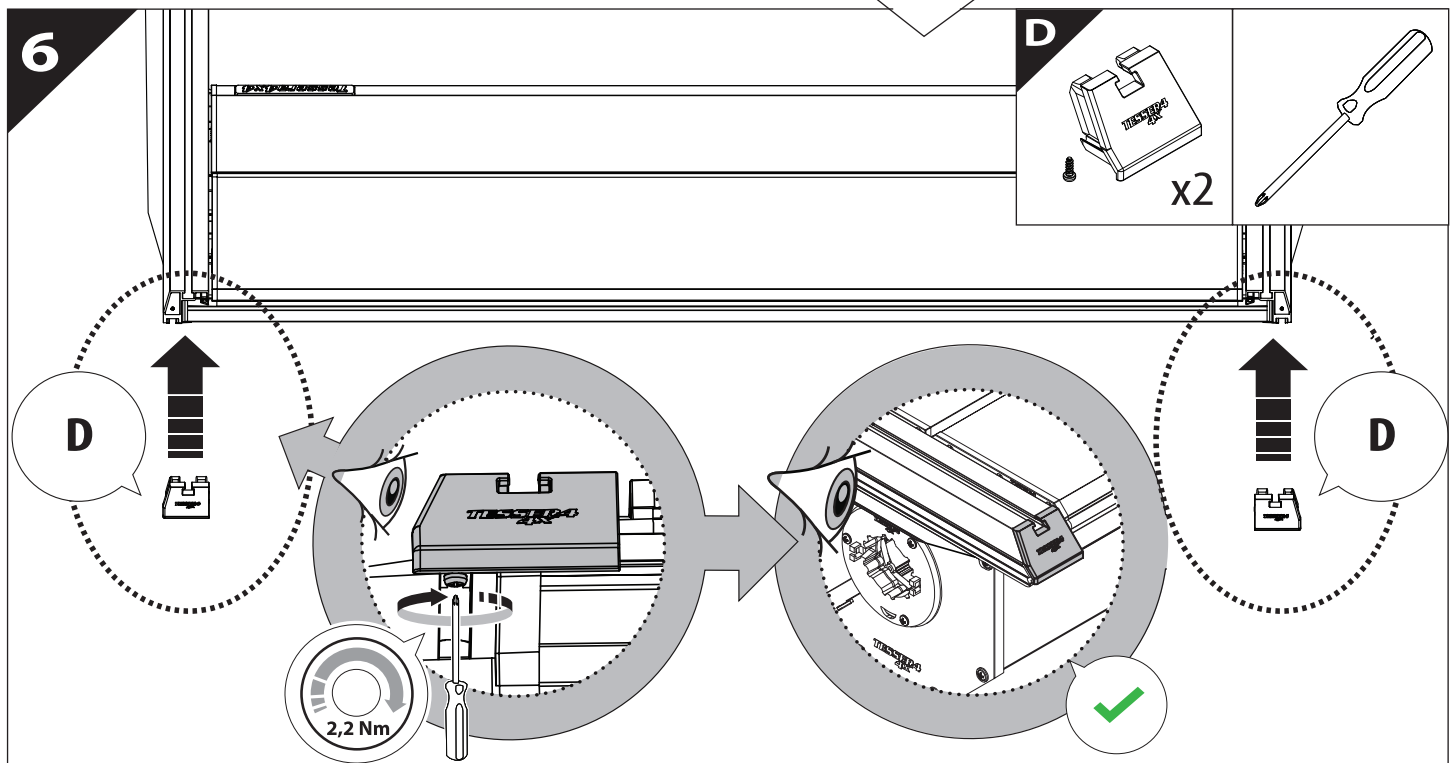
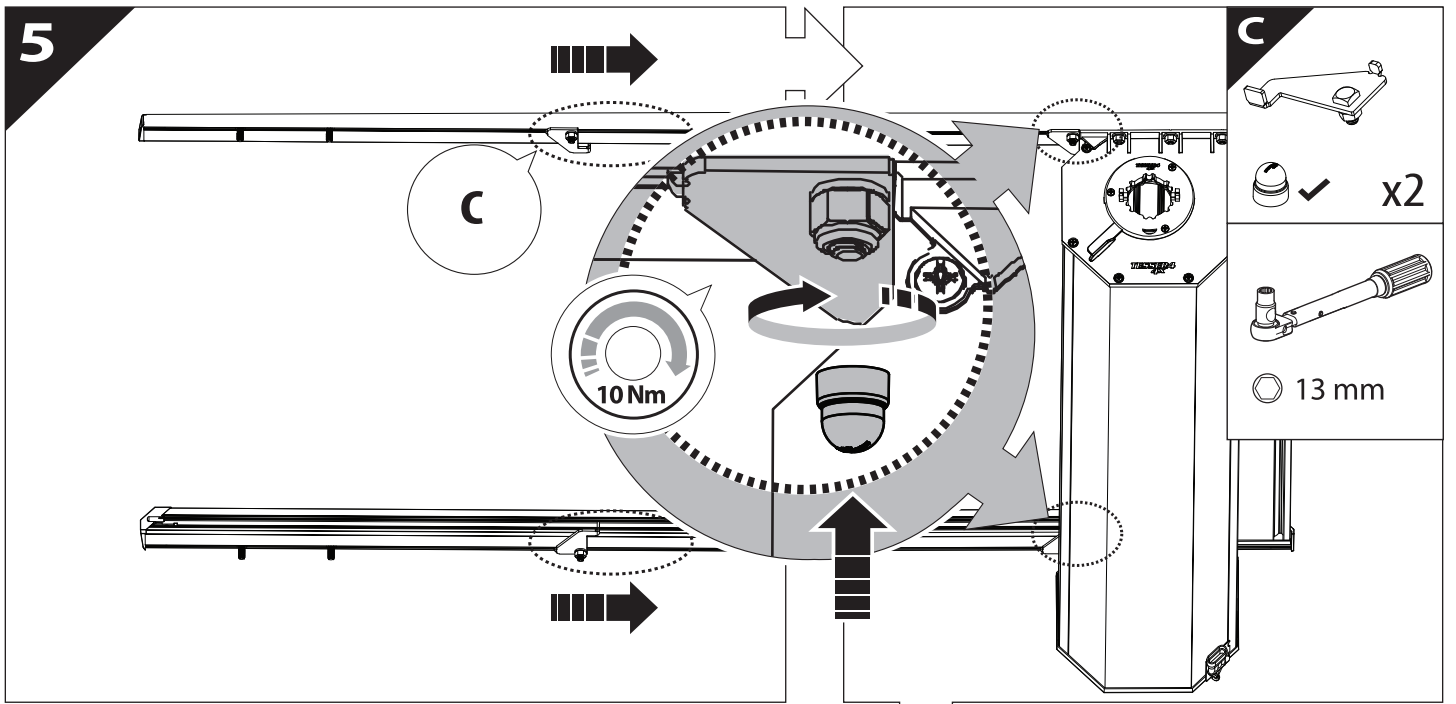


3

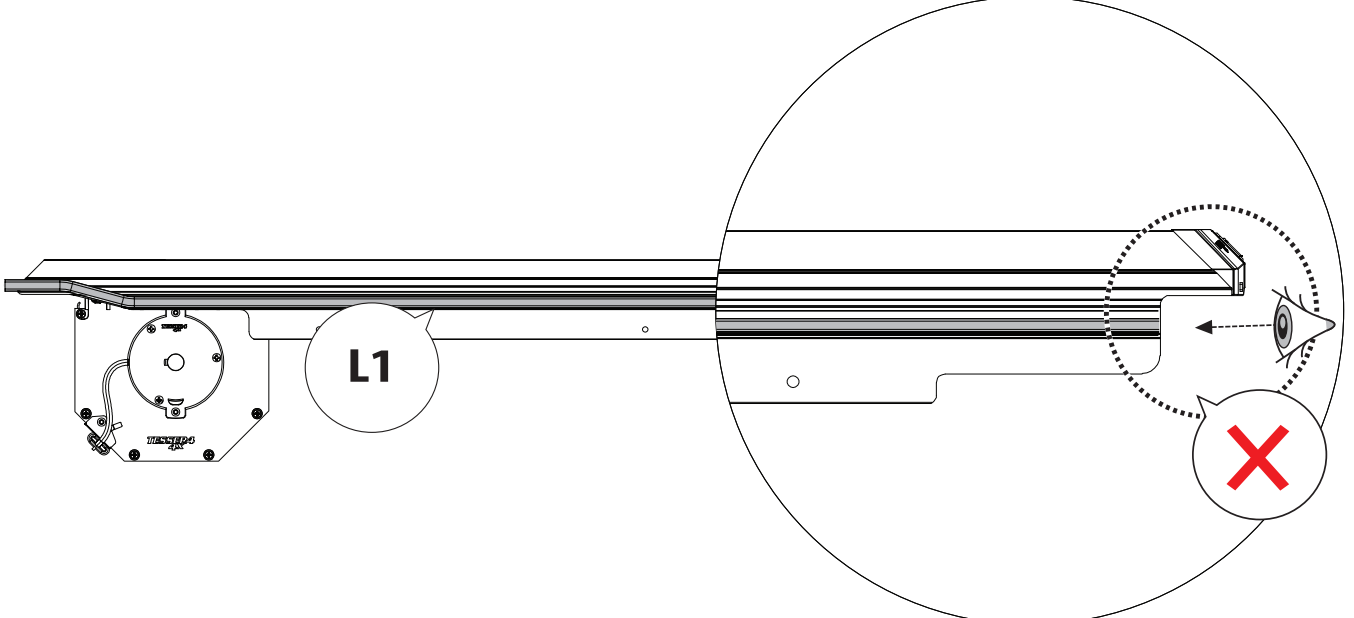
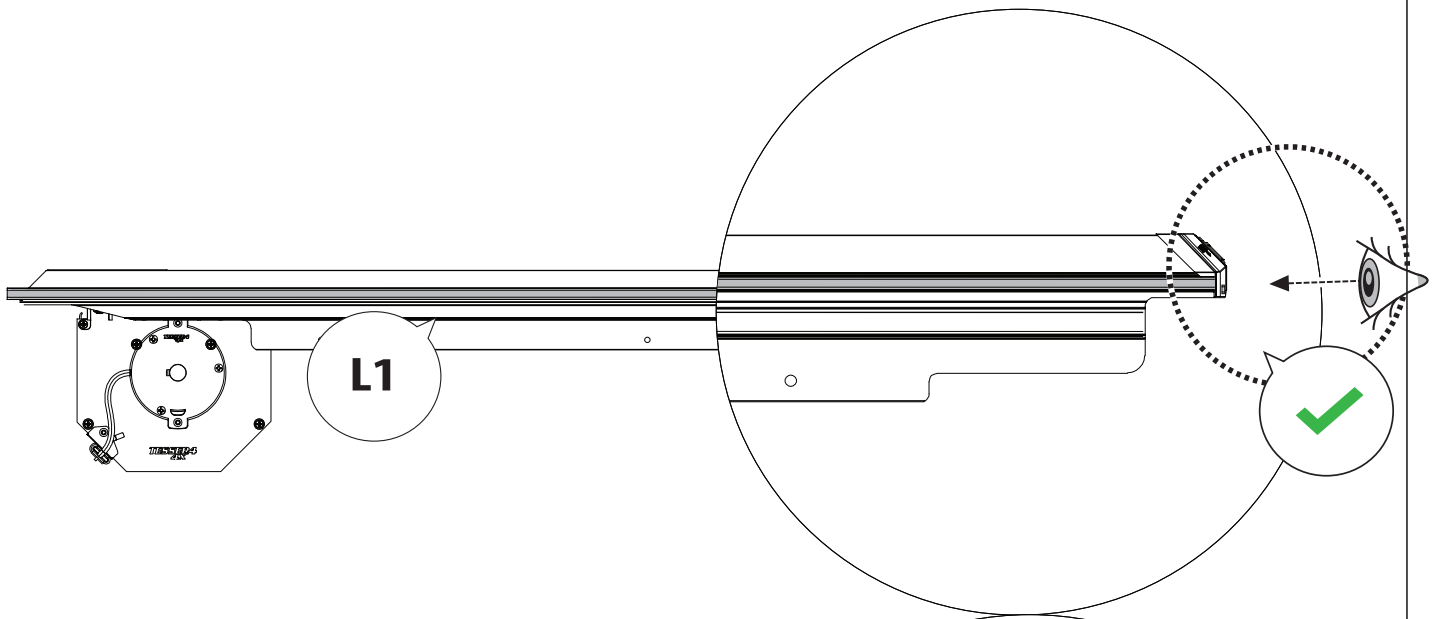
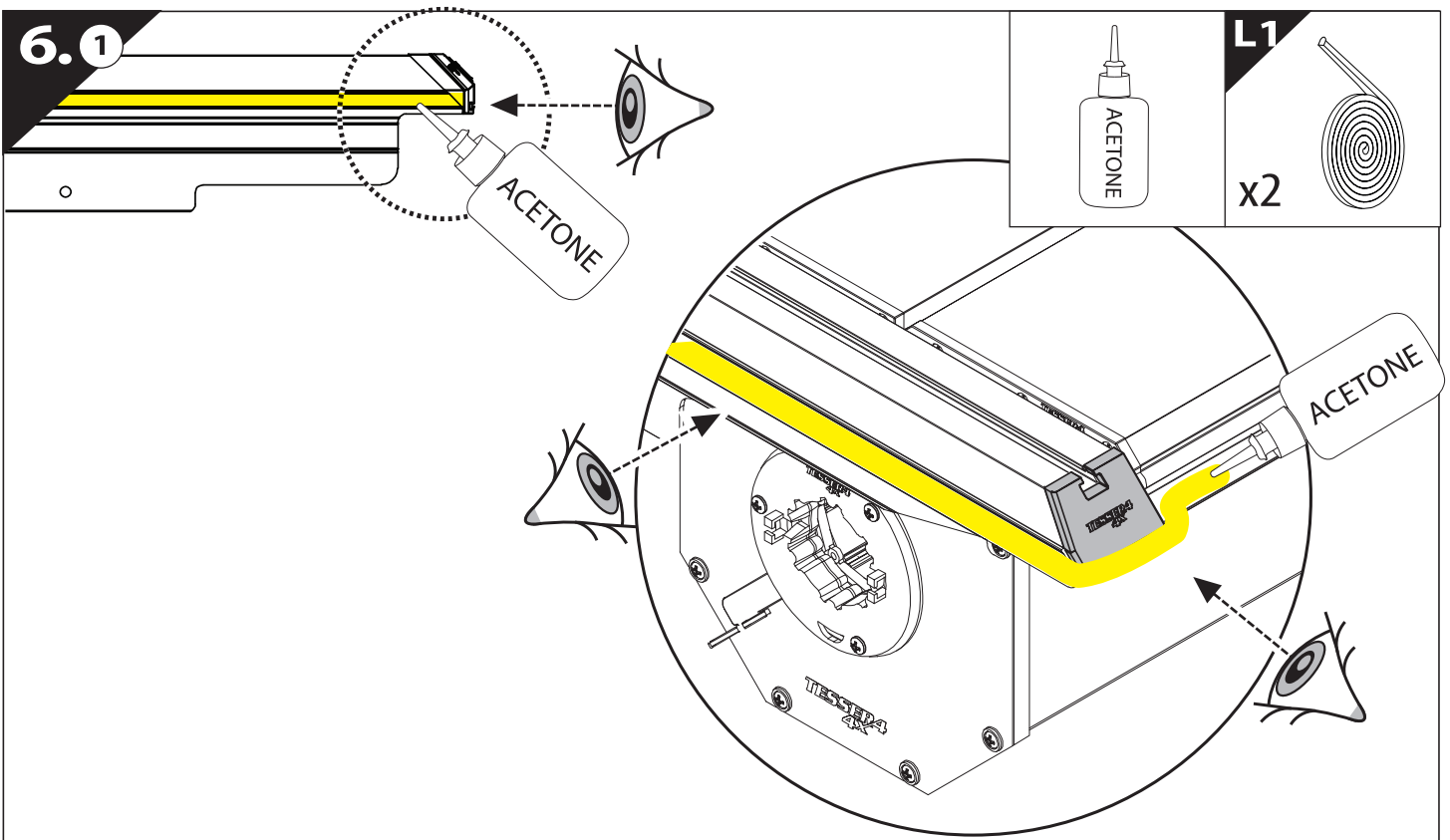


4

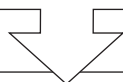
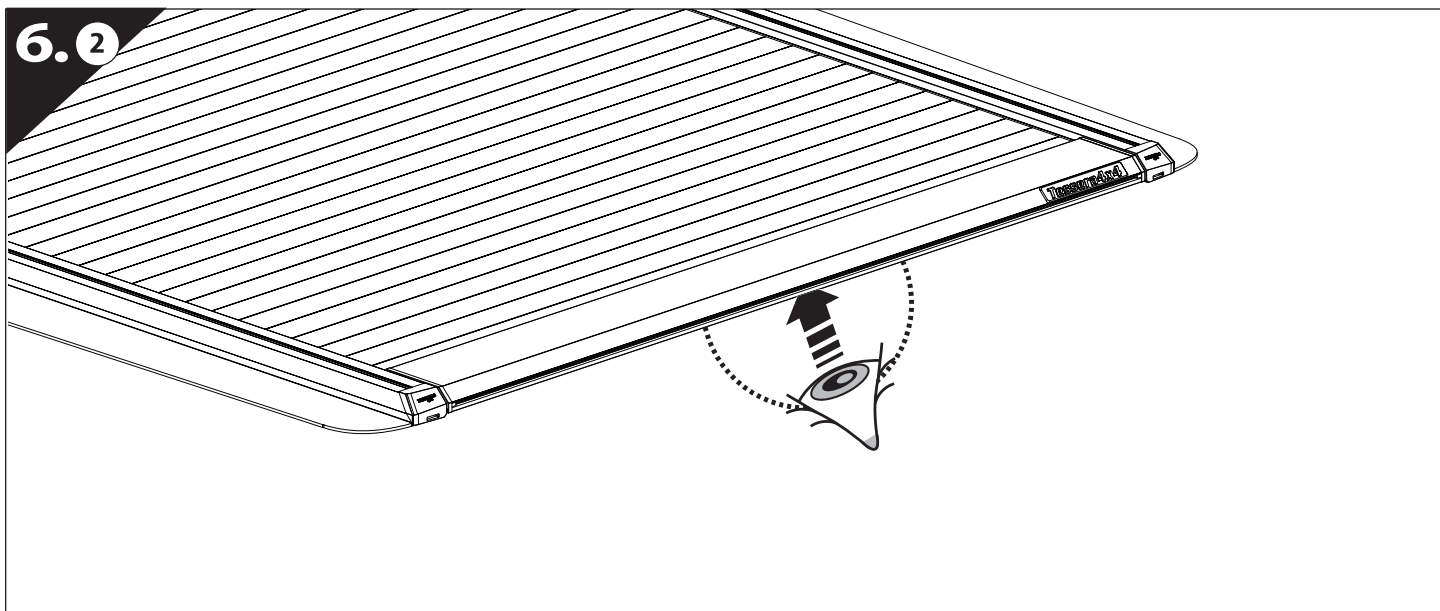




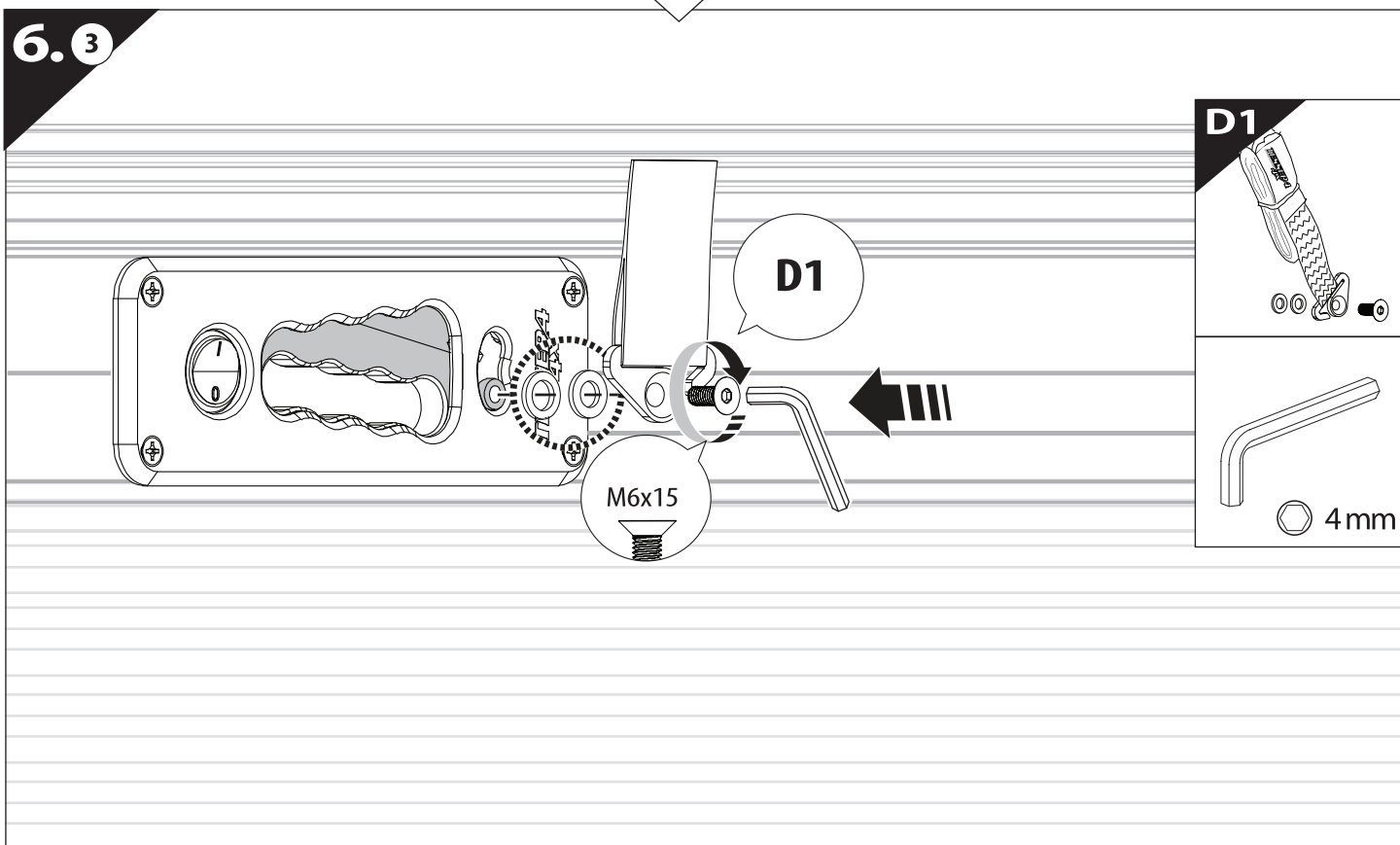
6.1

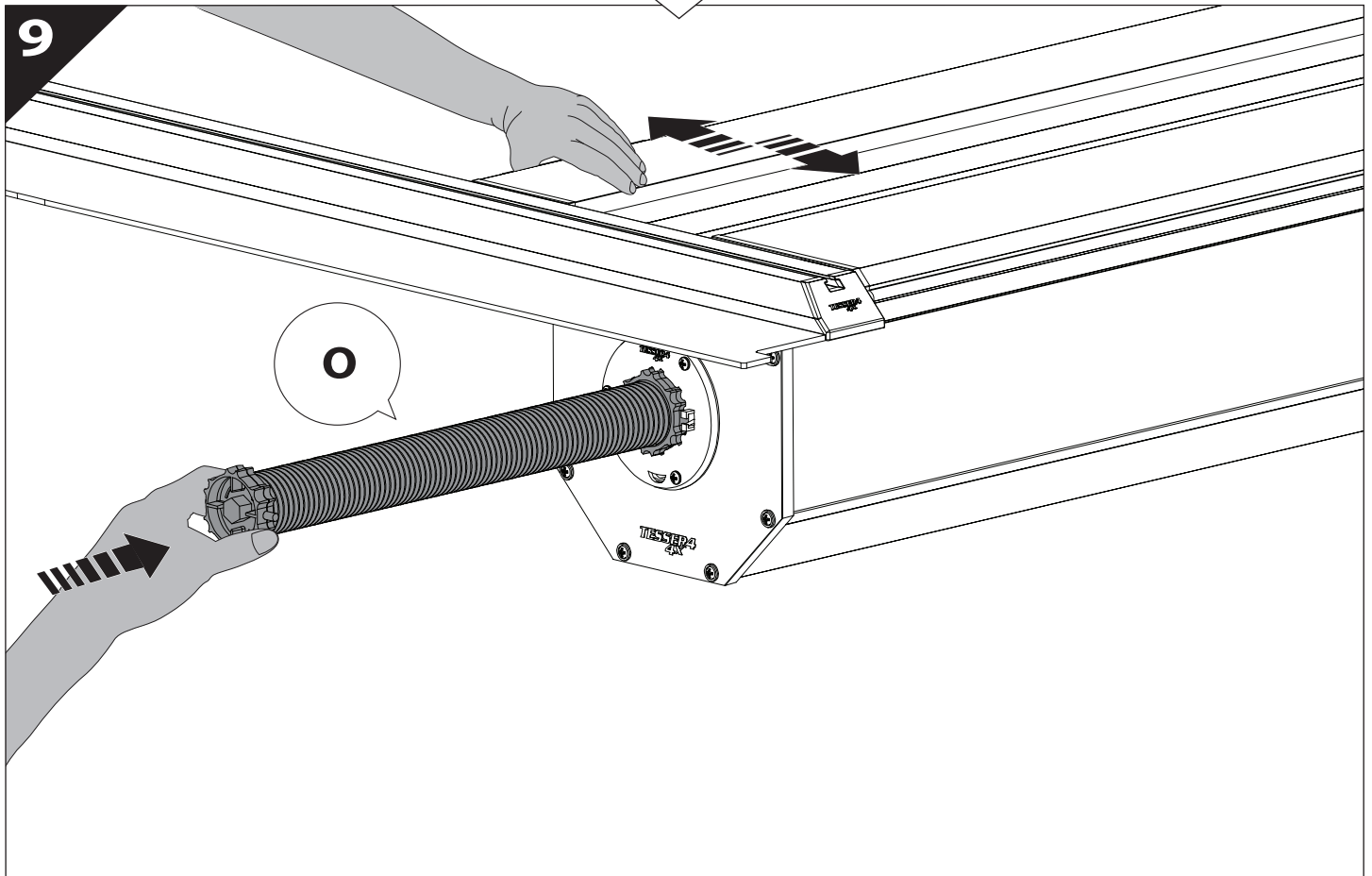
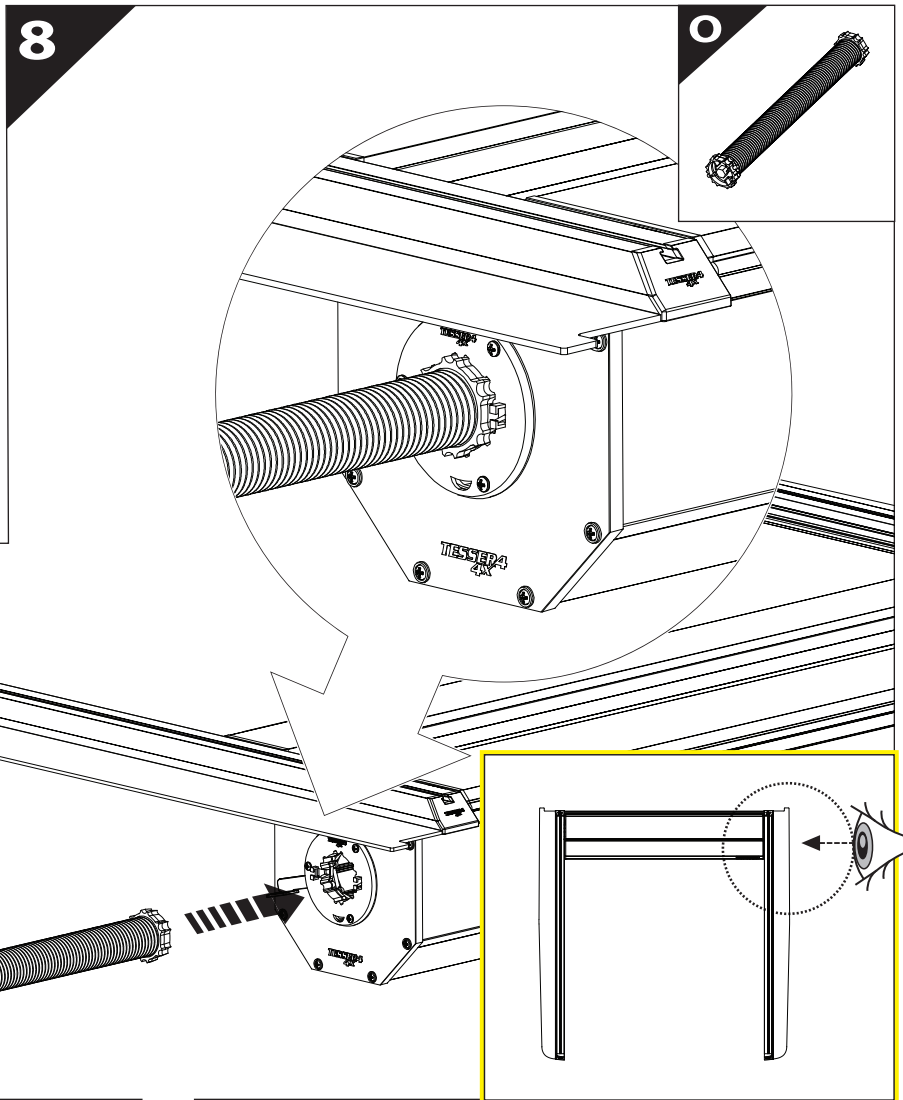
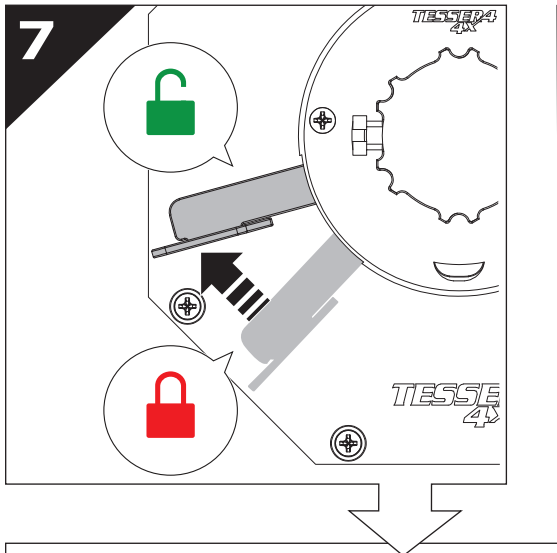


6.2

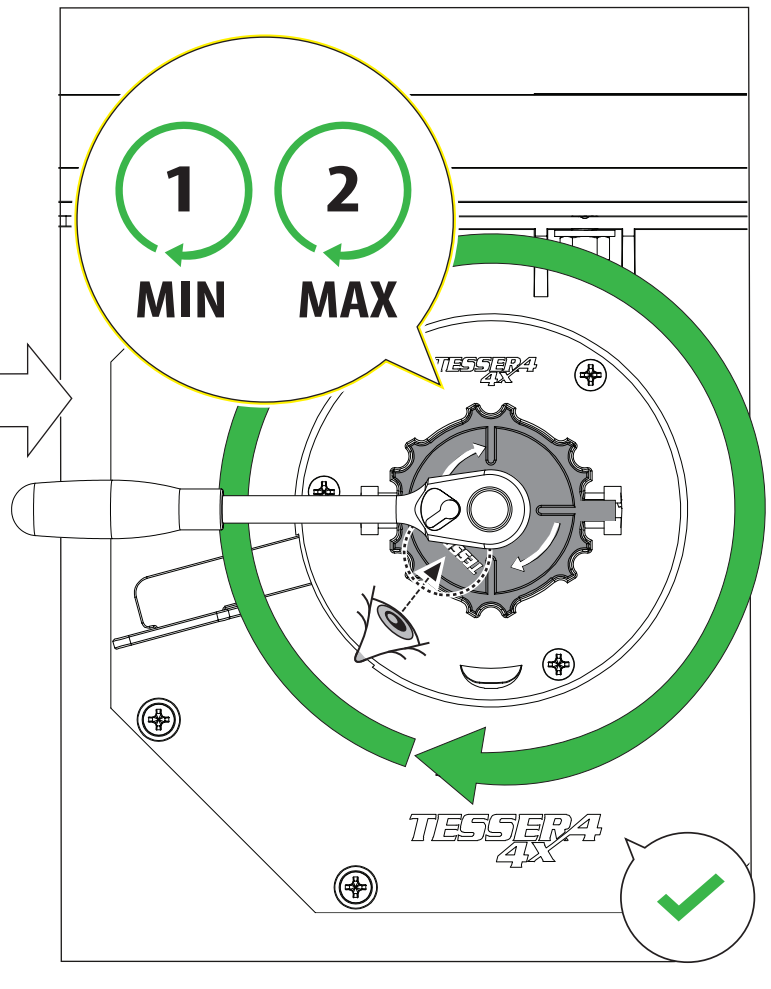
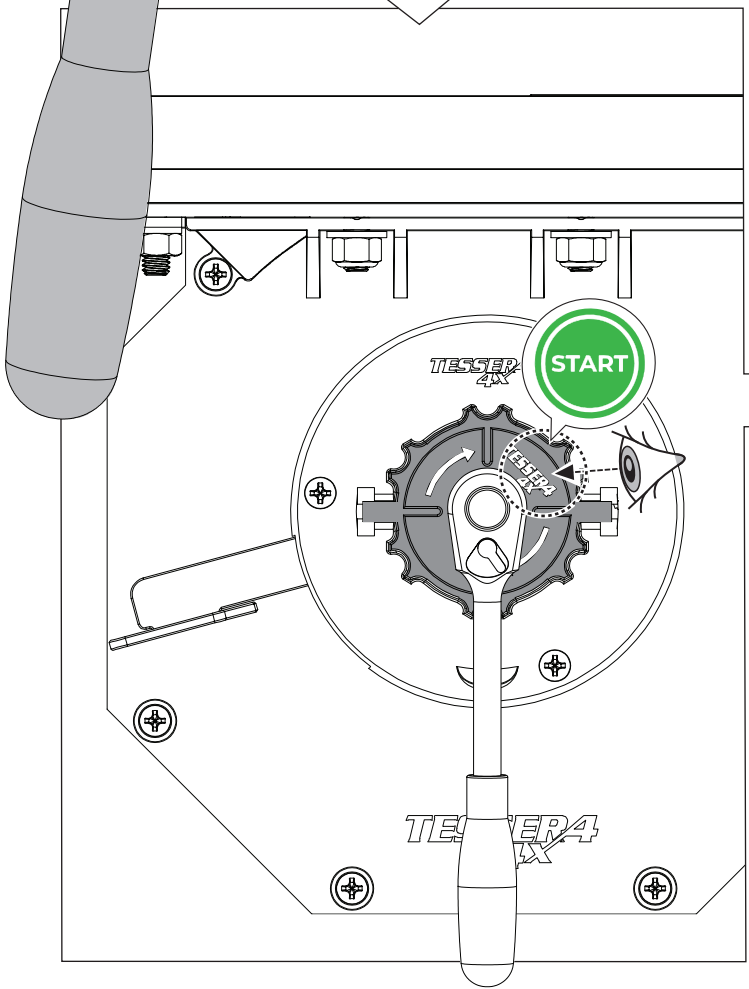
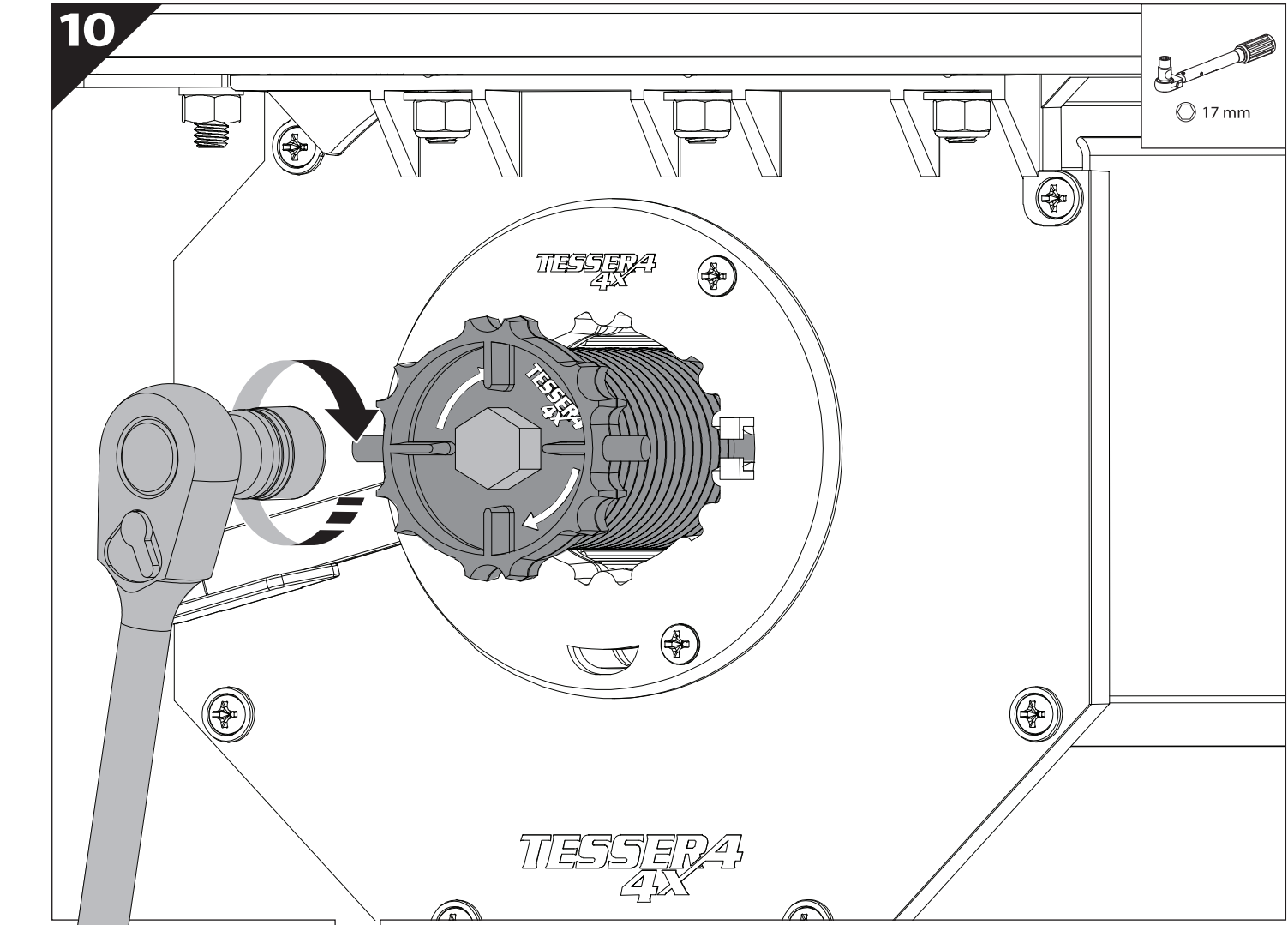
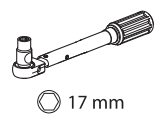


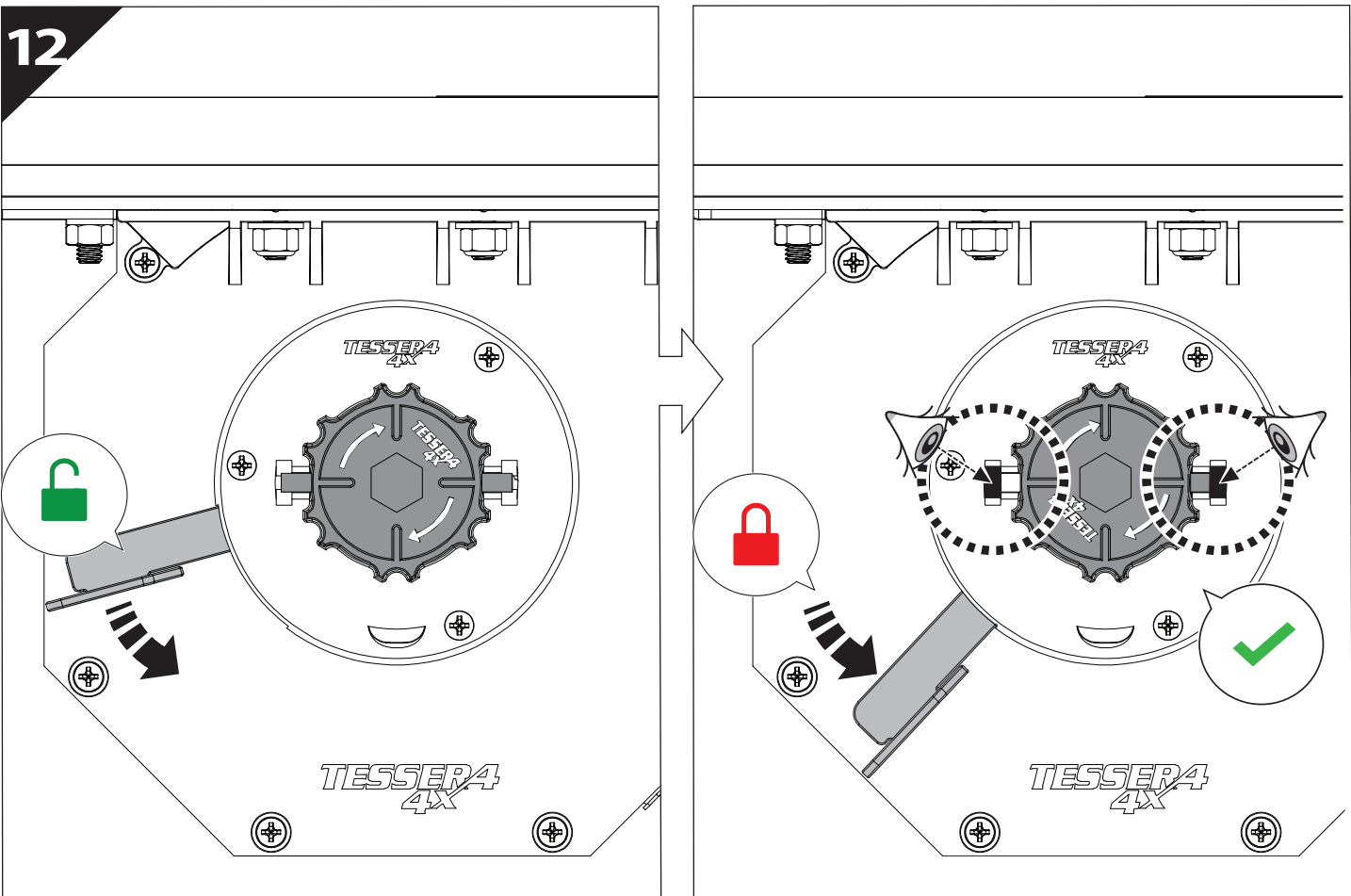
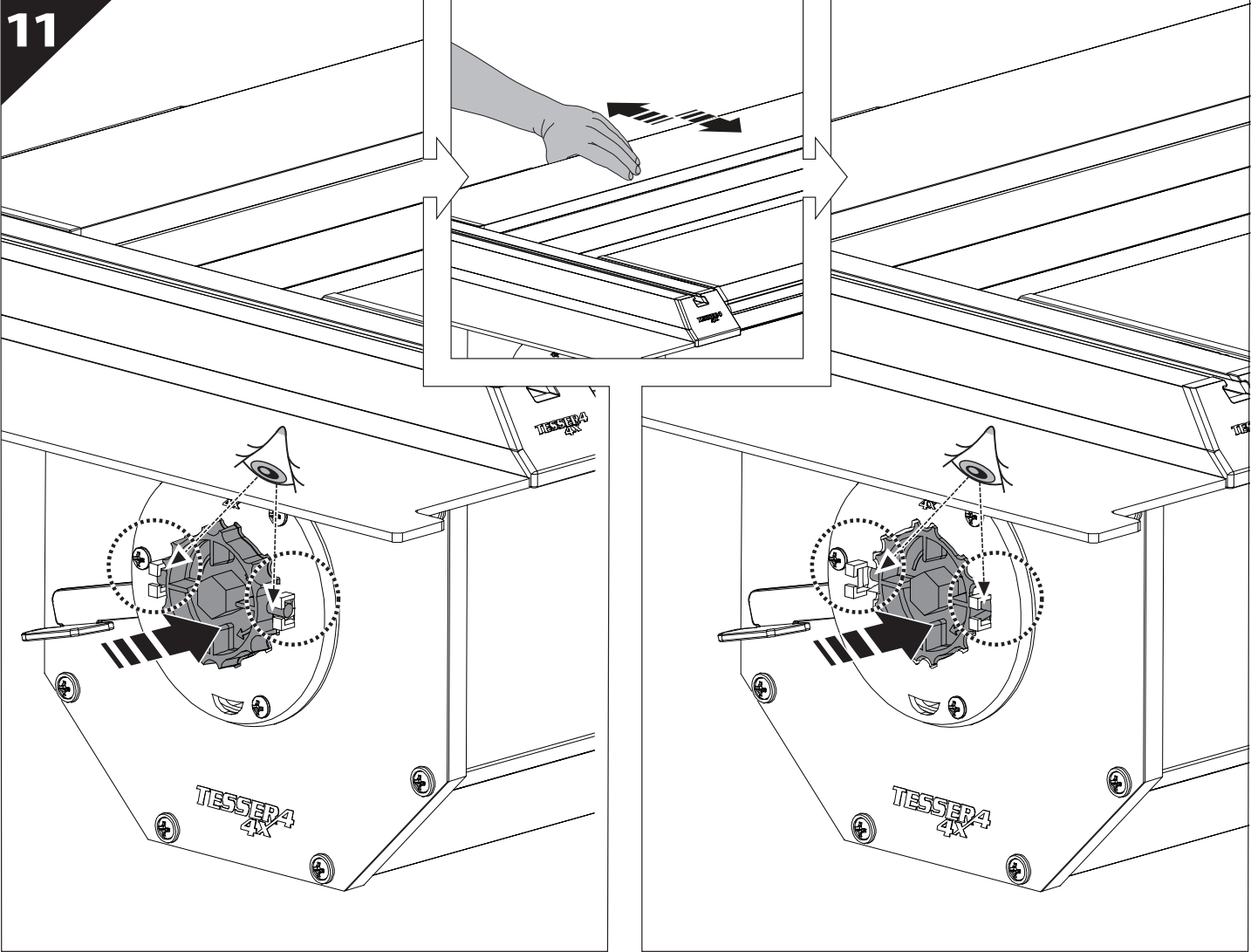
6.3



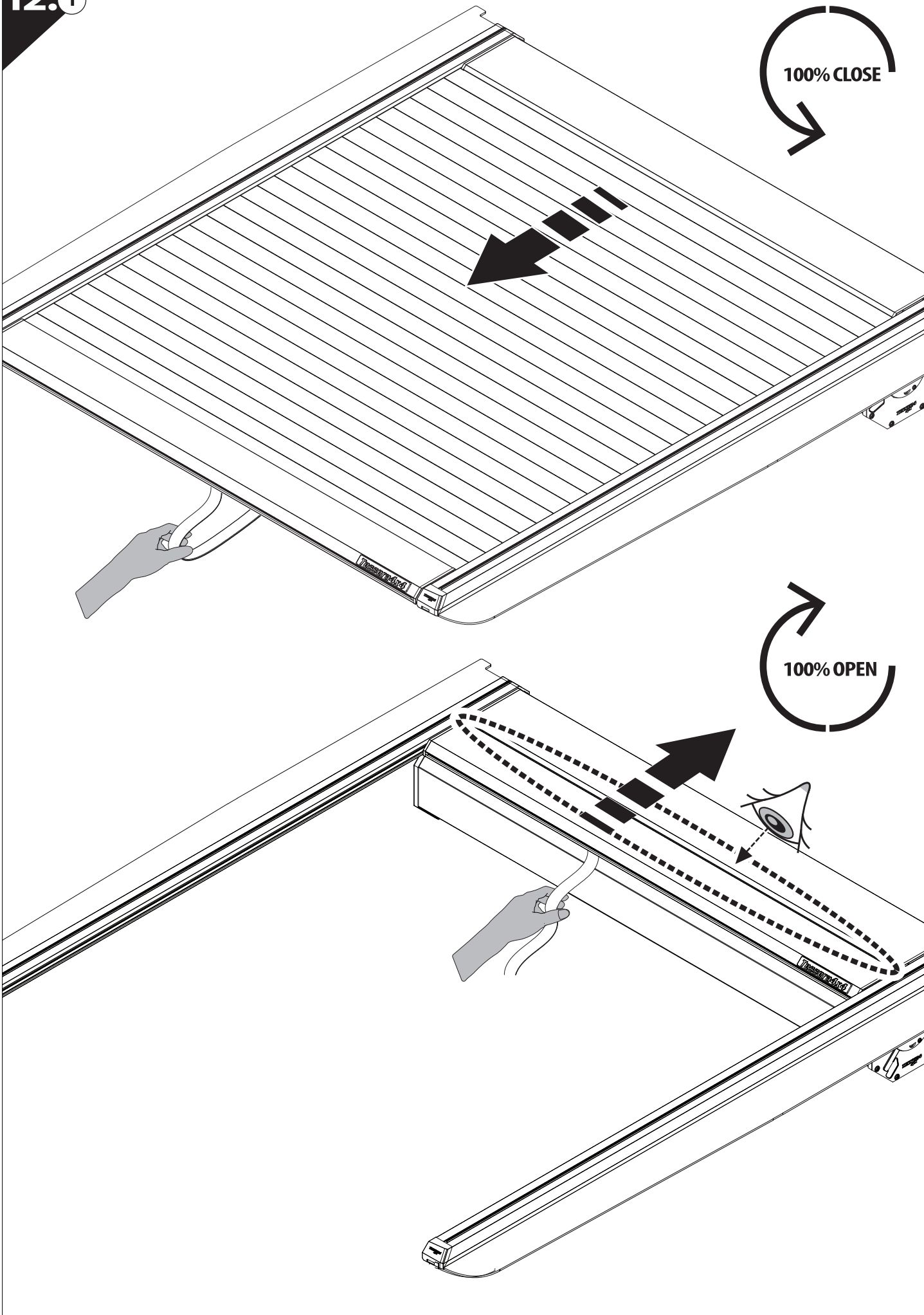


10



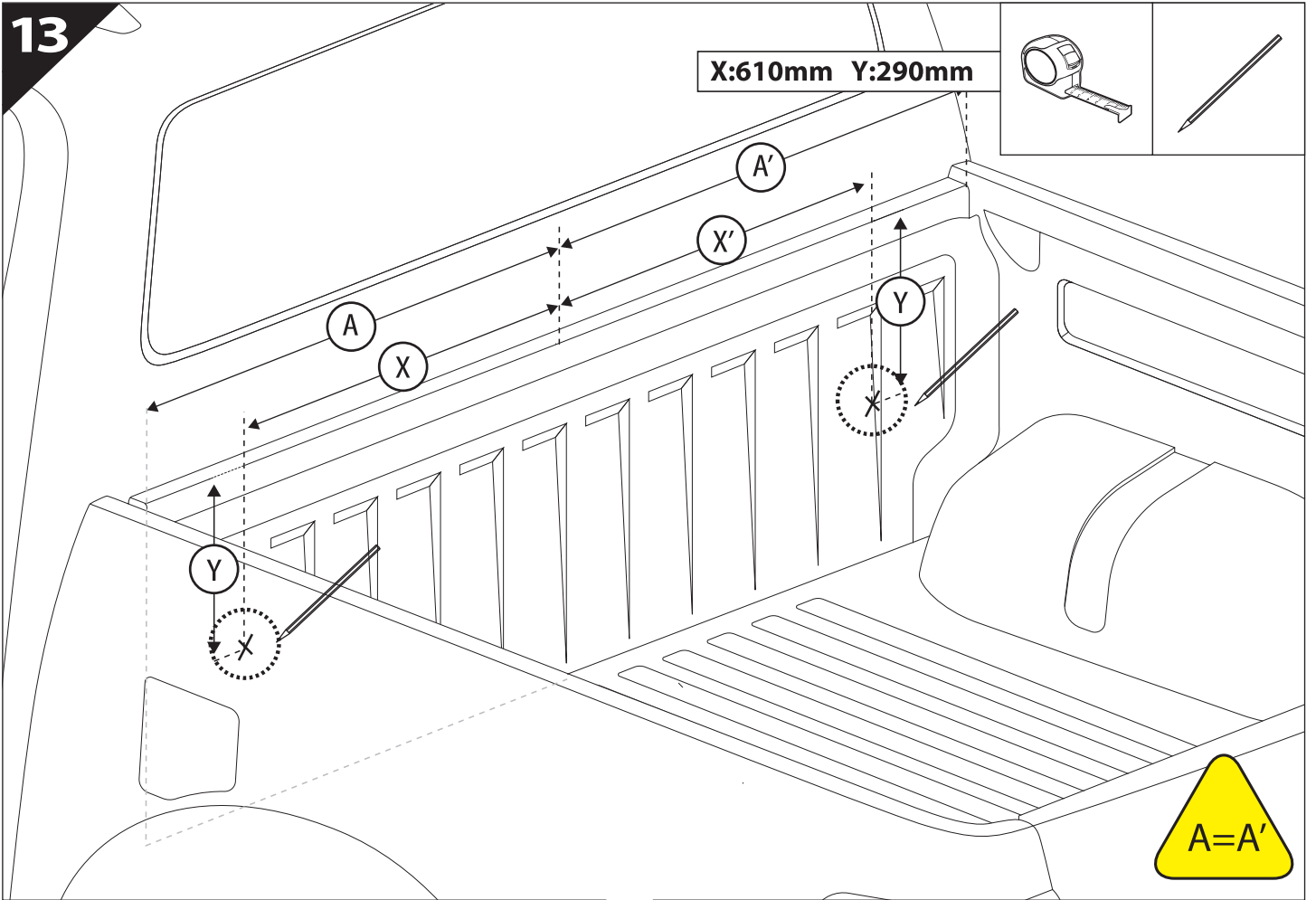
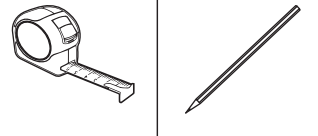


12.1

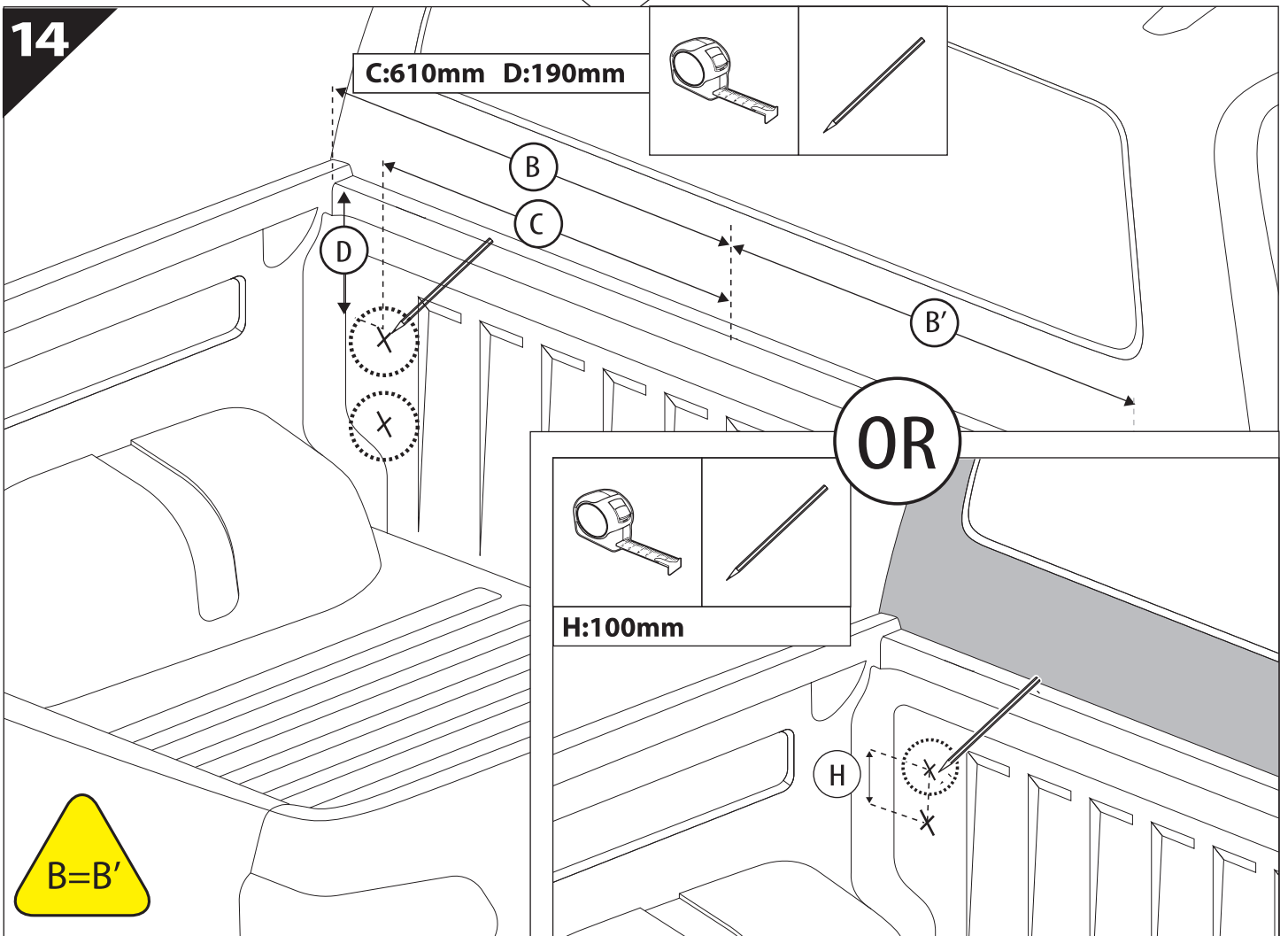
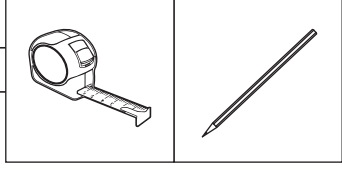


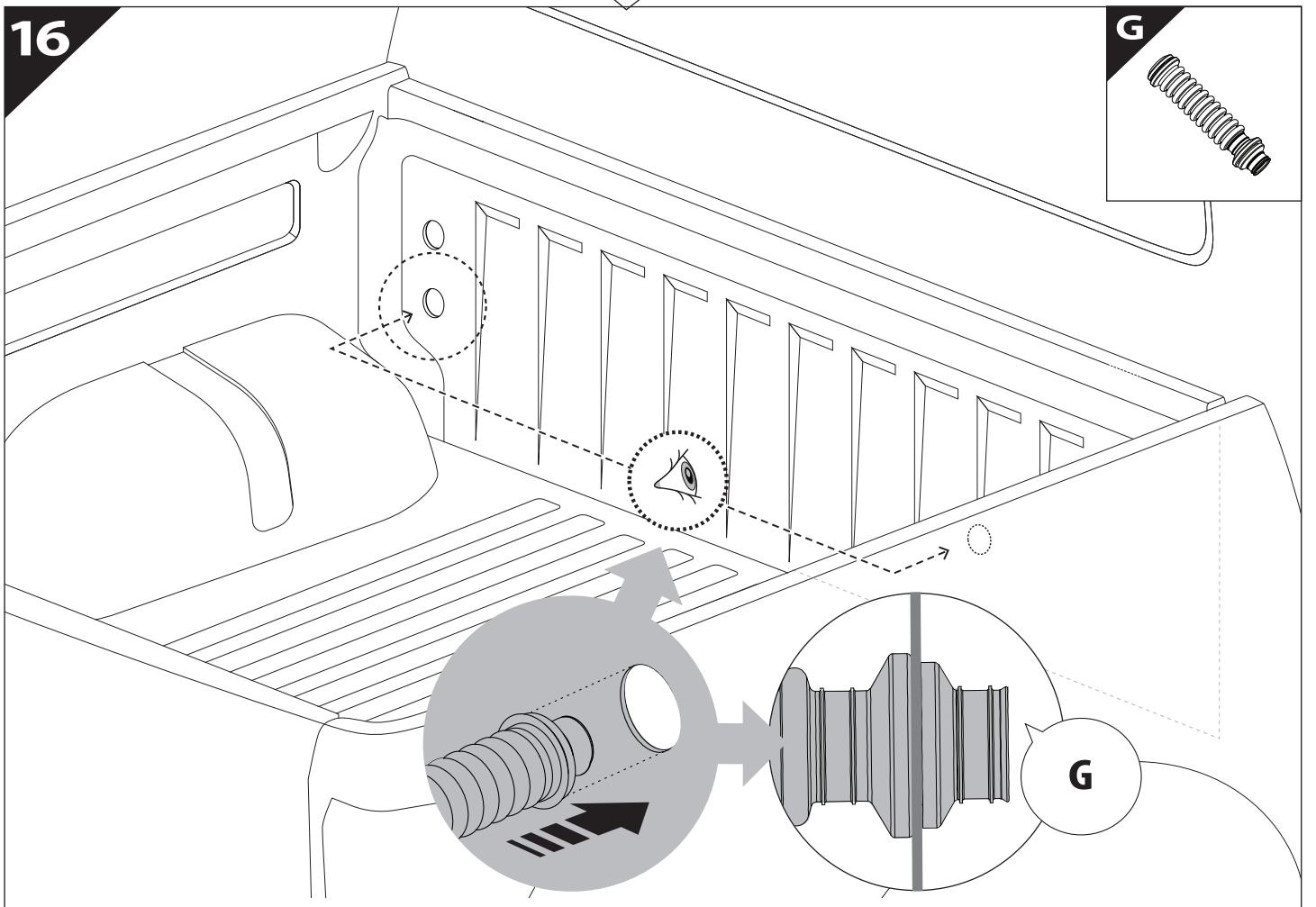
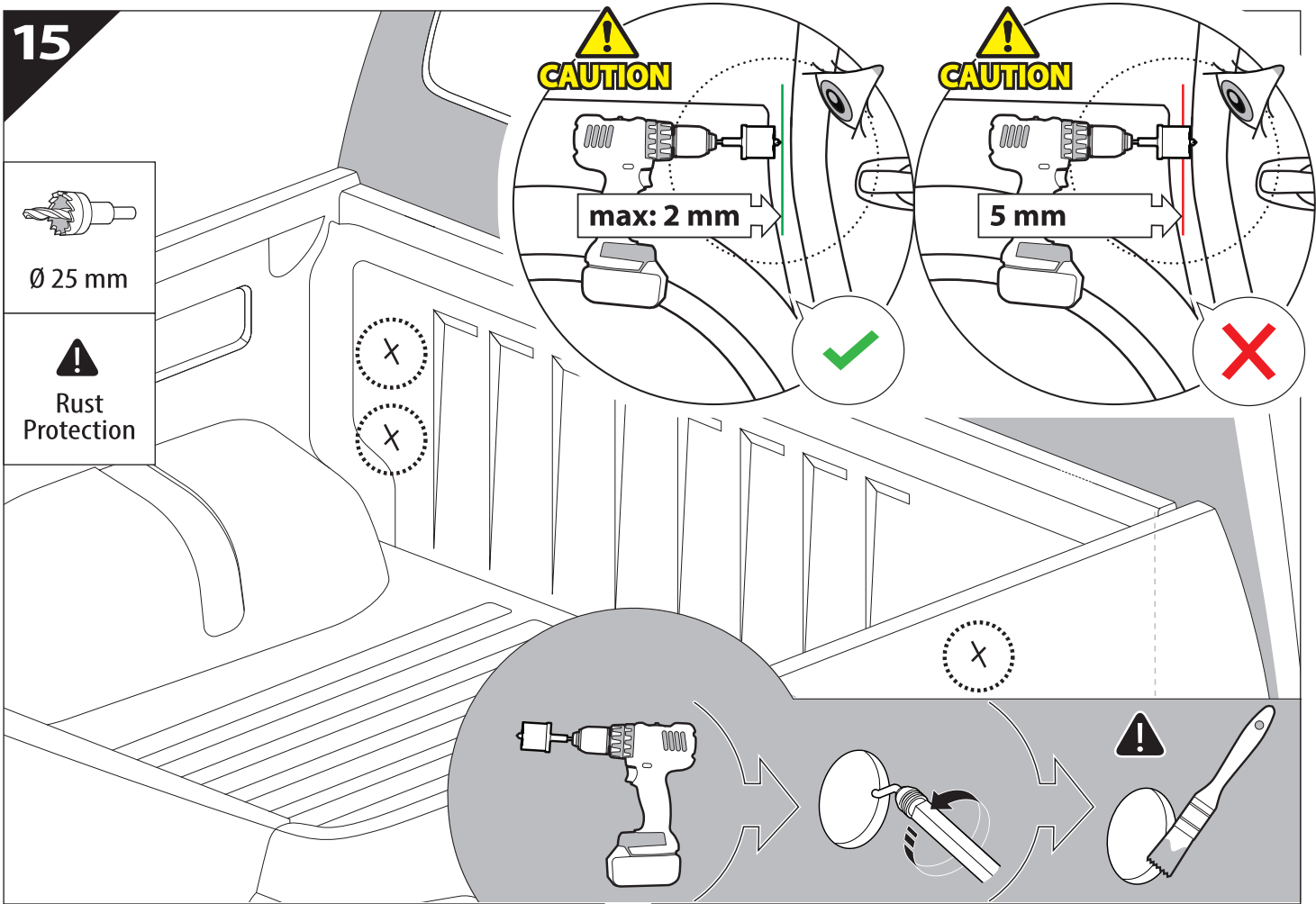
13

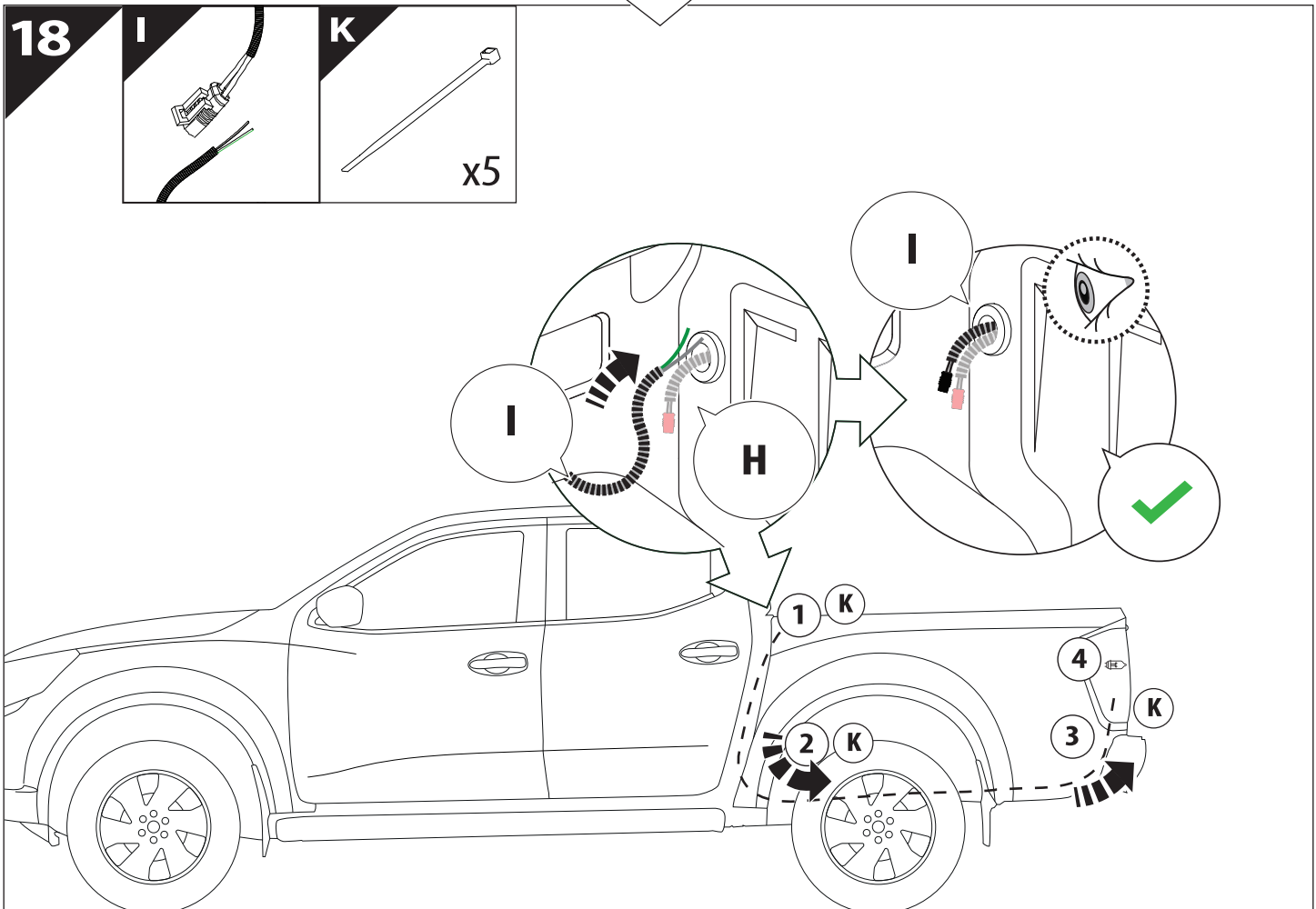
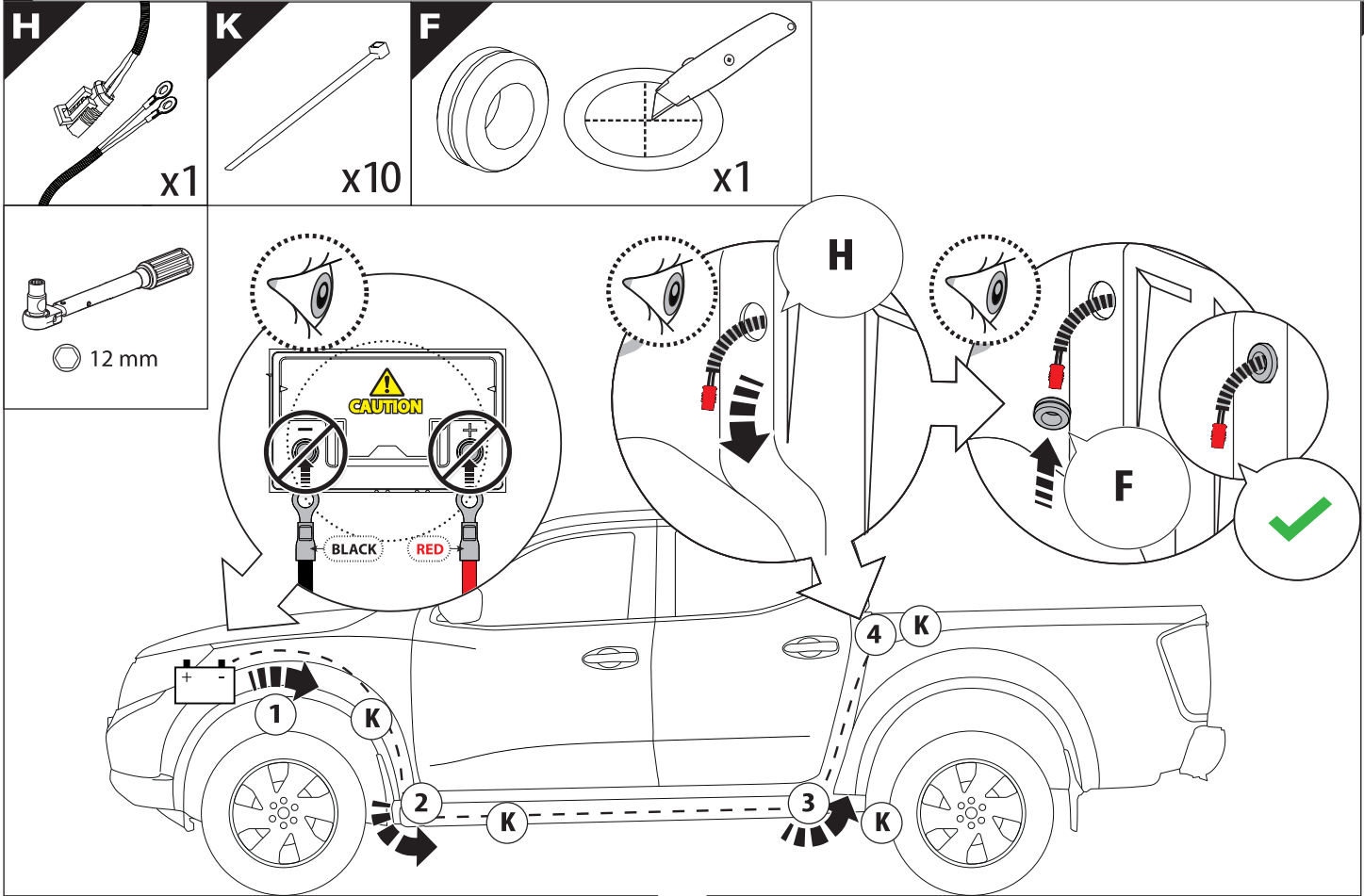
X:610mm Y:290mm



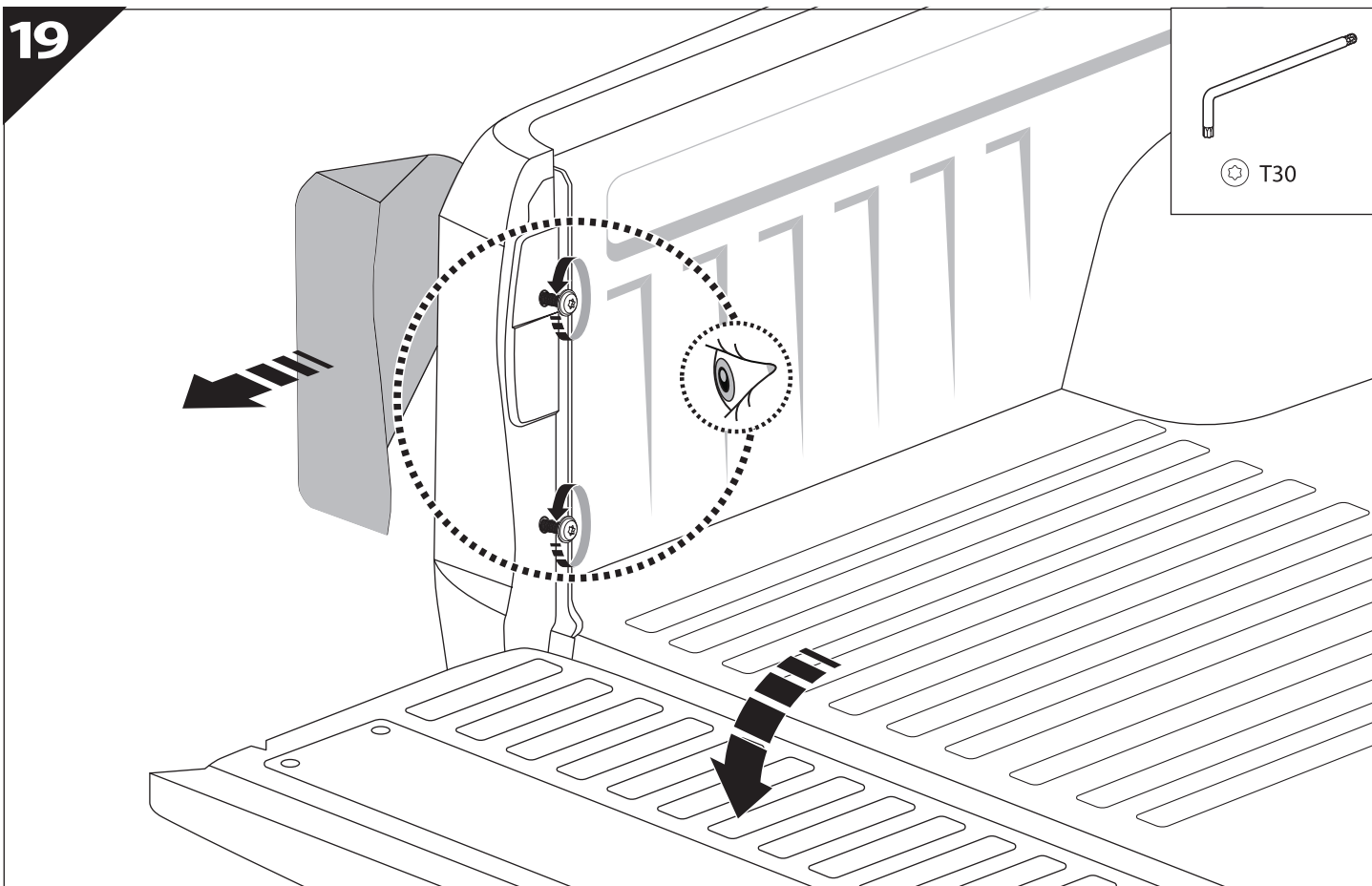
C:610mm D:190mm



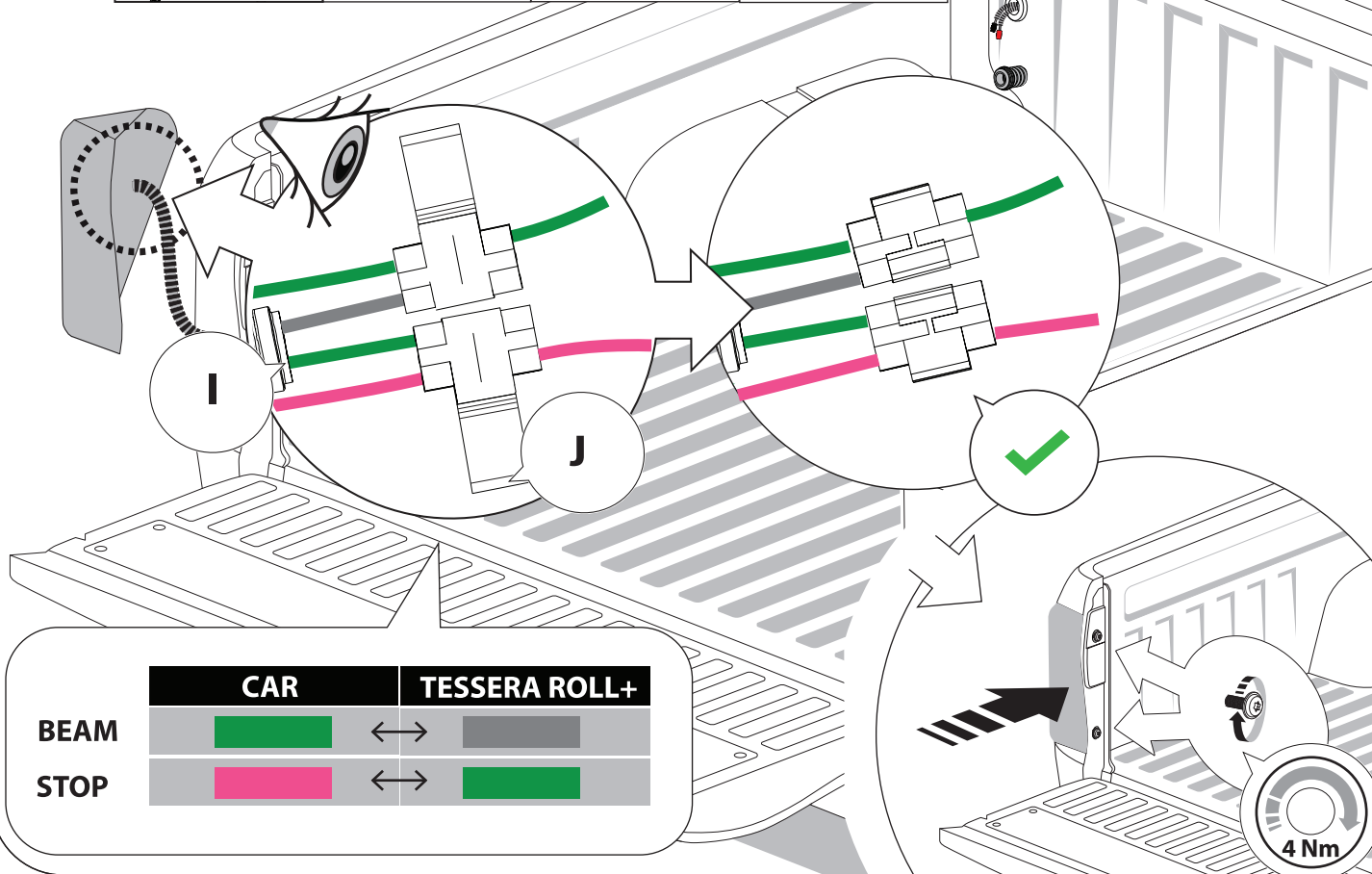
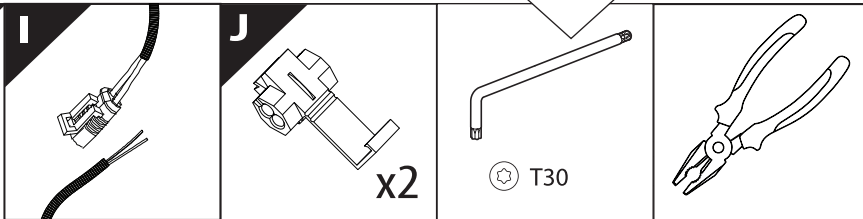




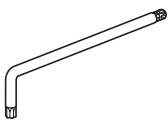
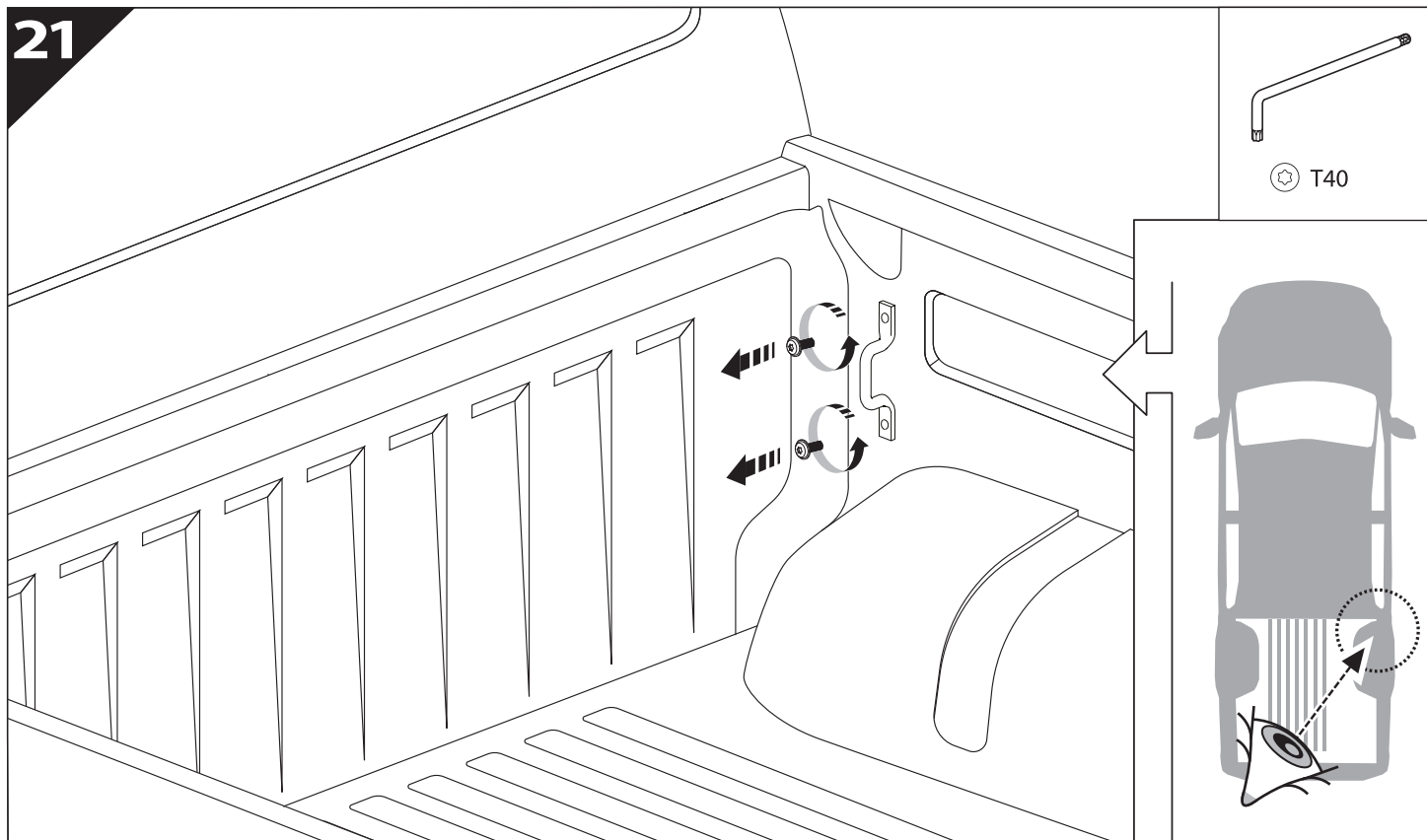
19



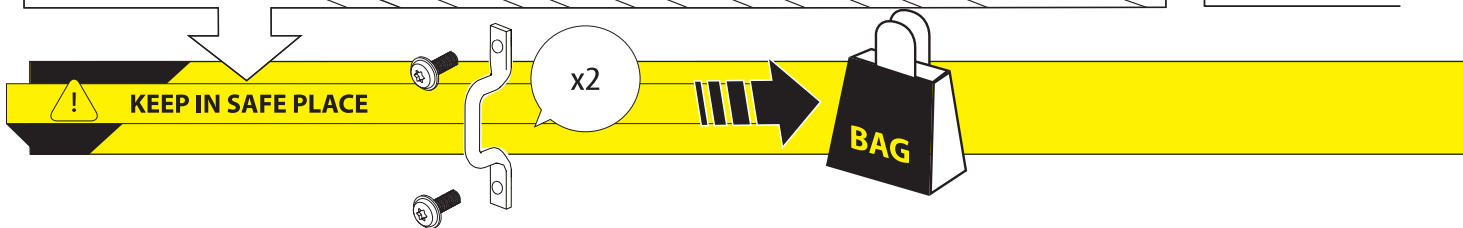
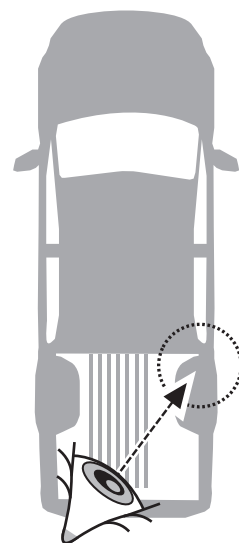
20



21



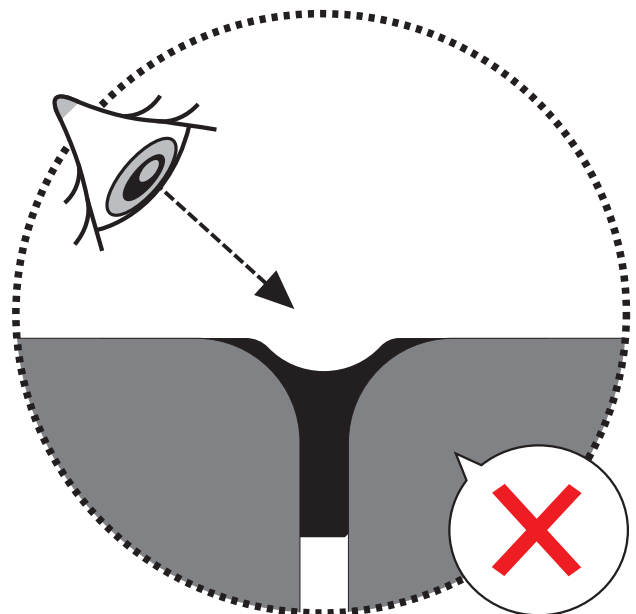
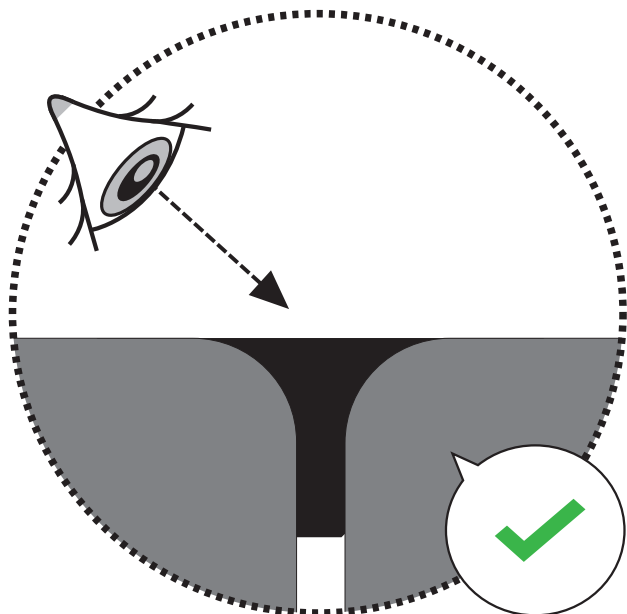
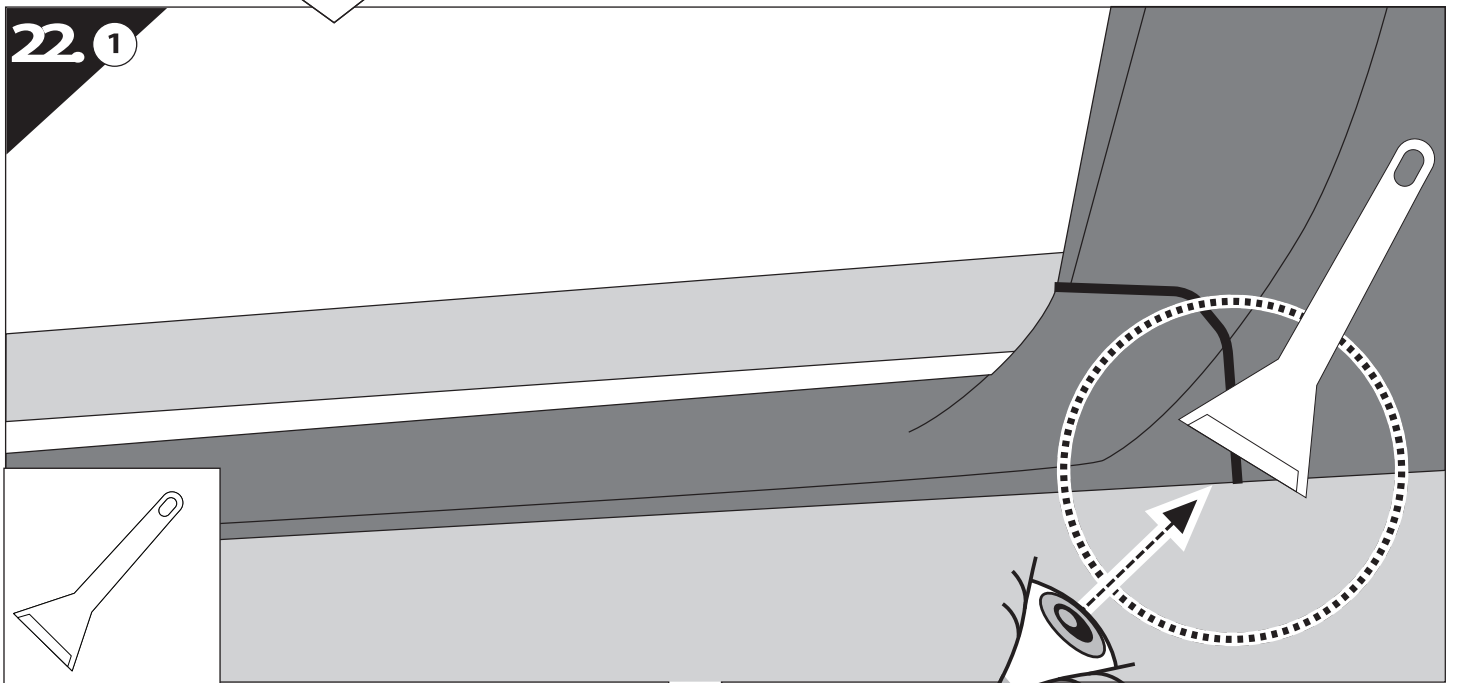
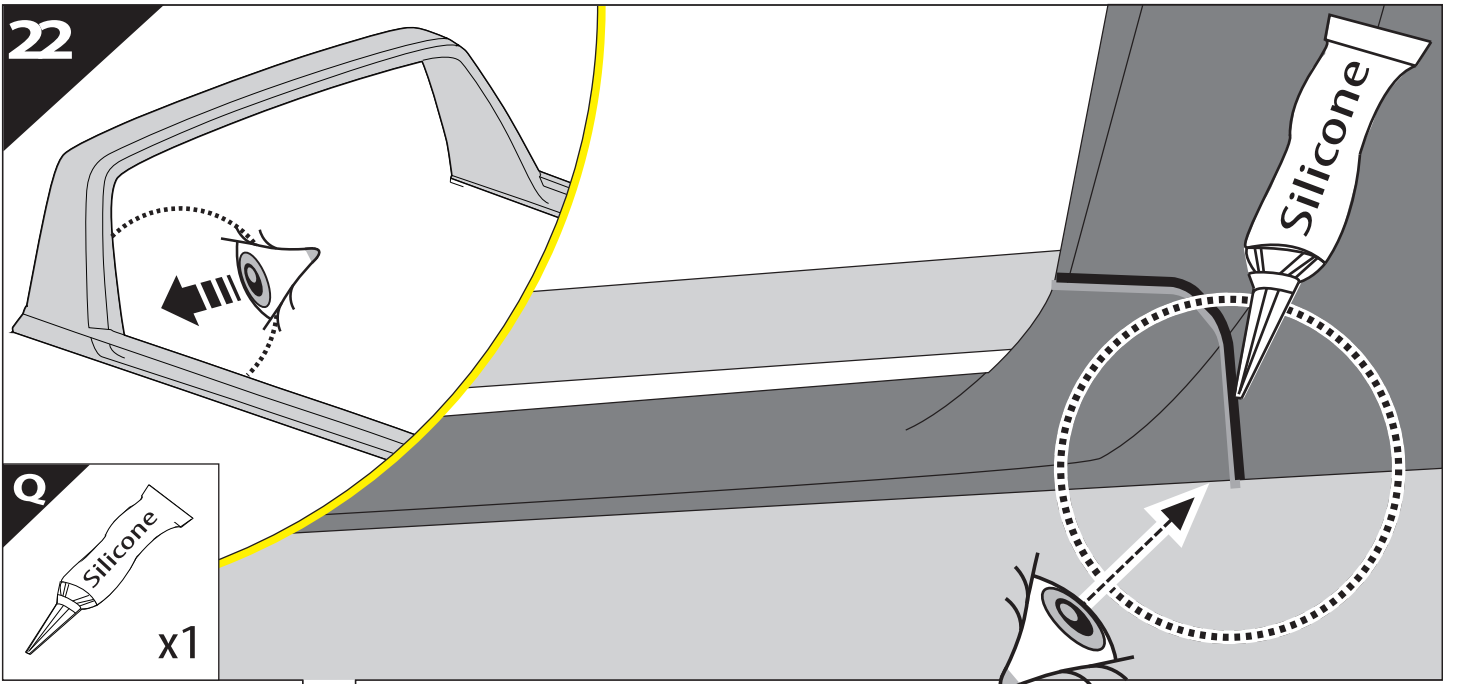
T40

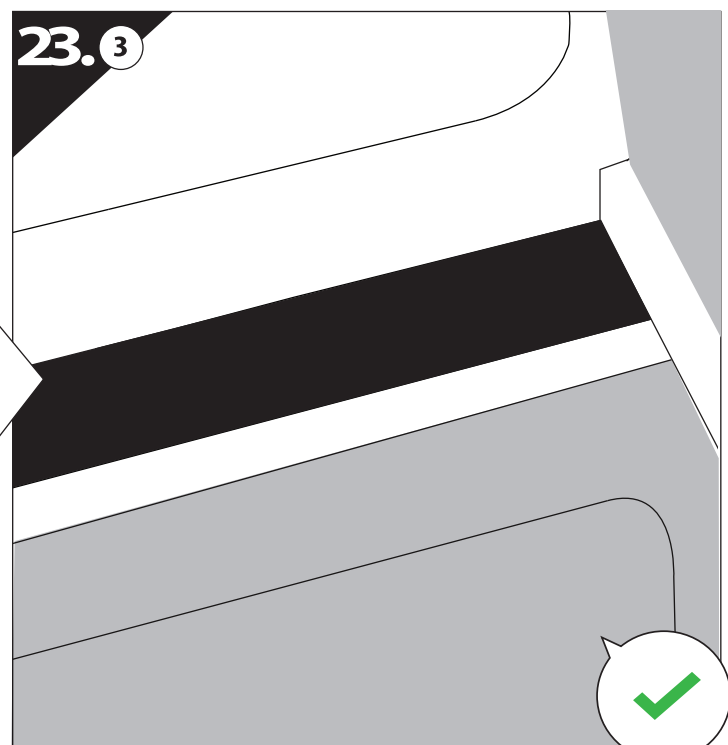
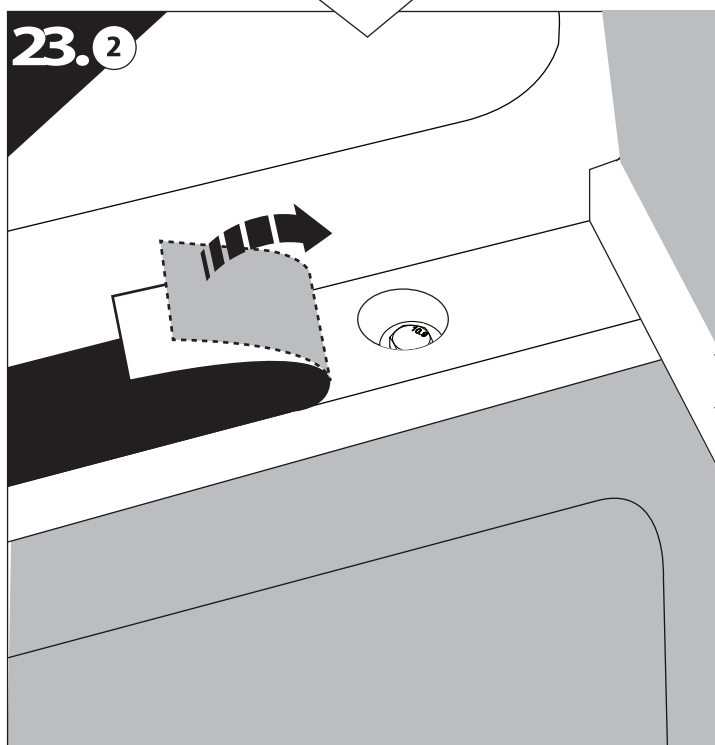
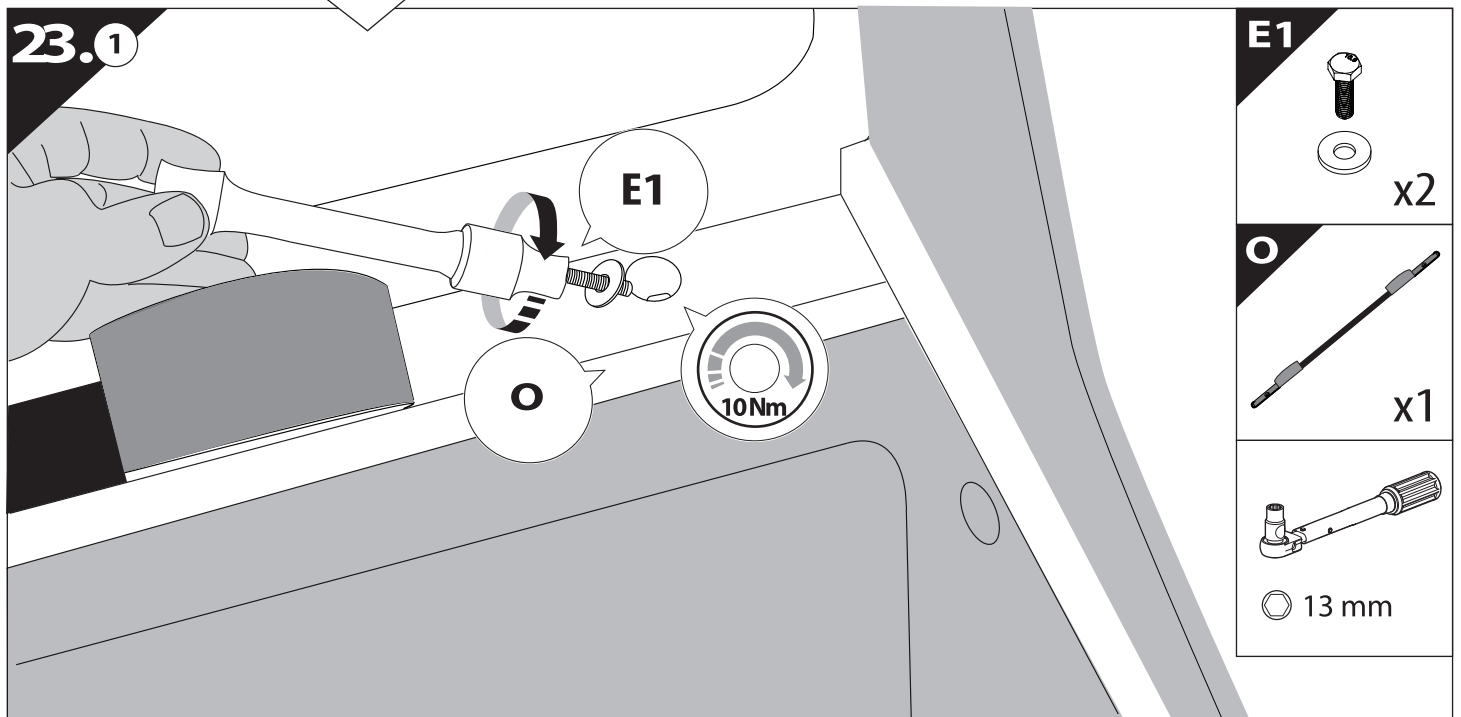
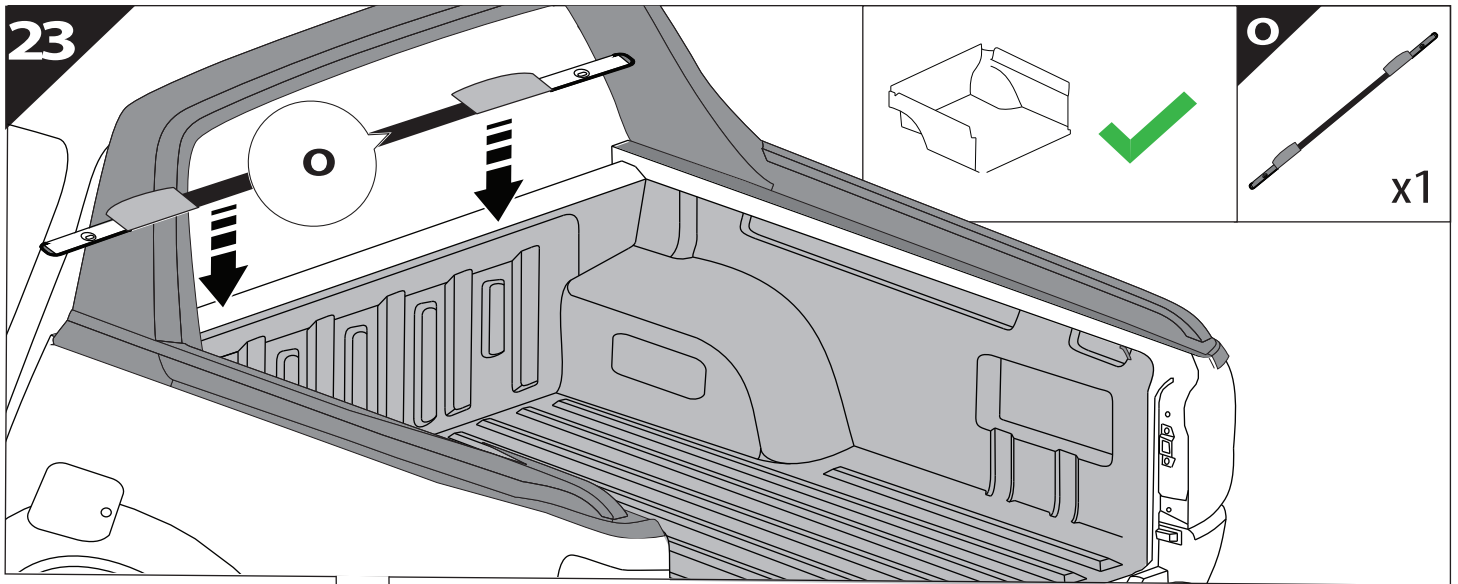


KEEP IN SAFE PLACE

x2

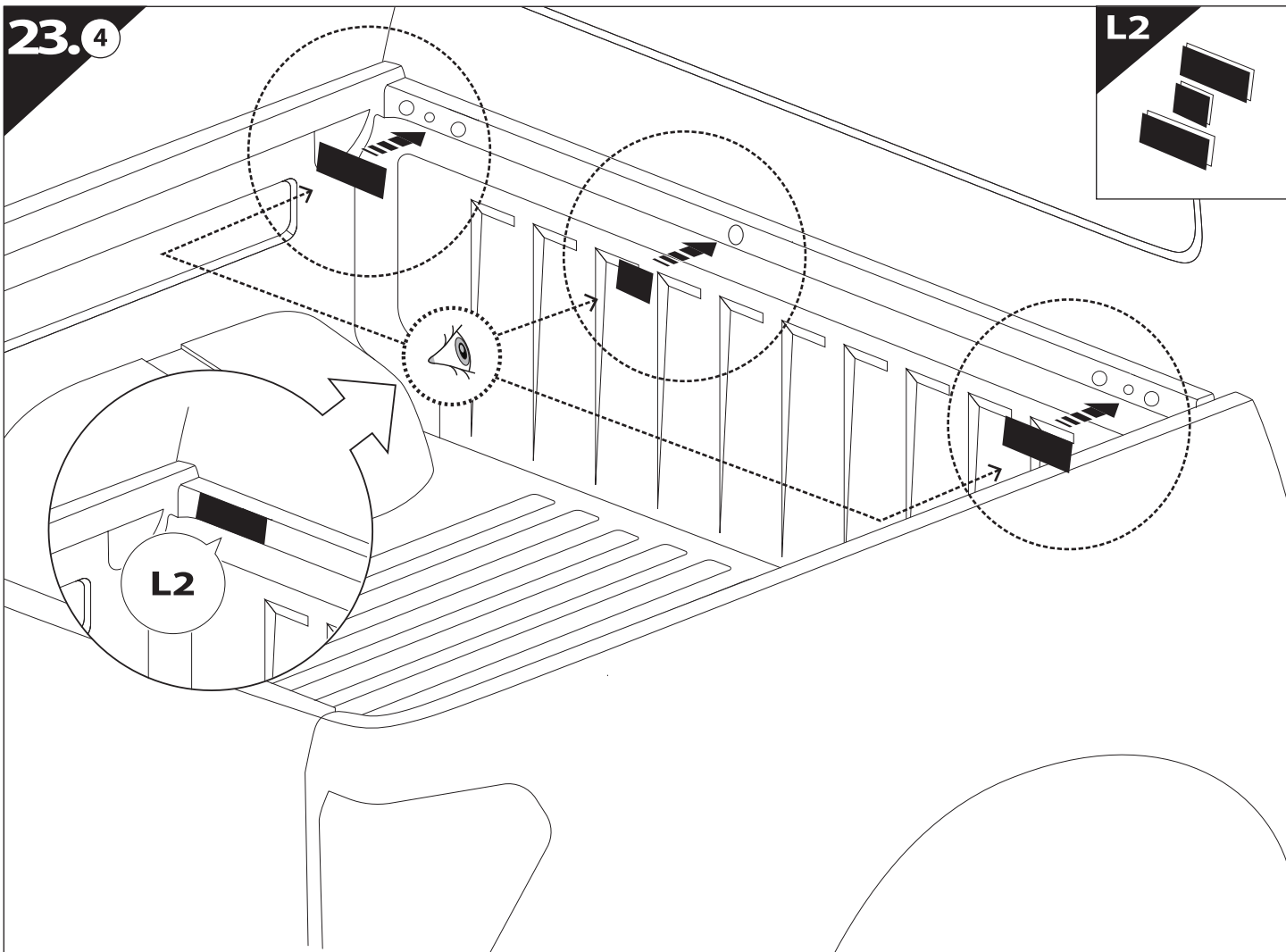
BAG

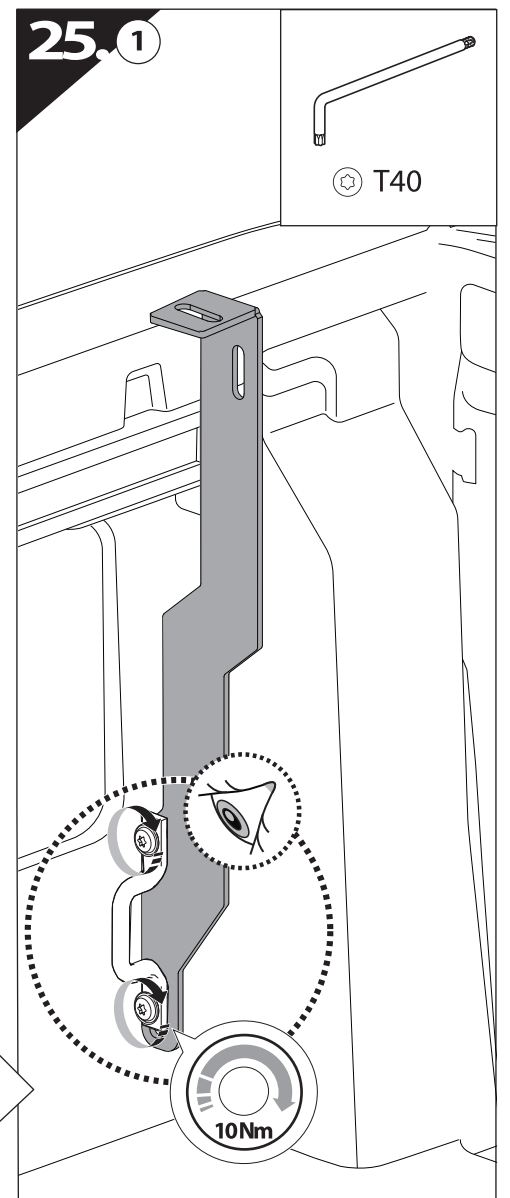
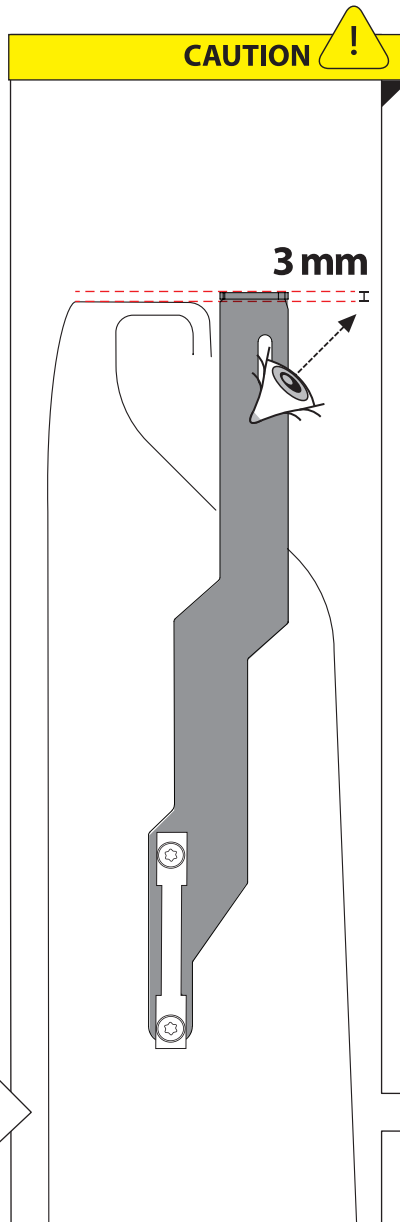
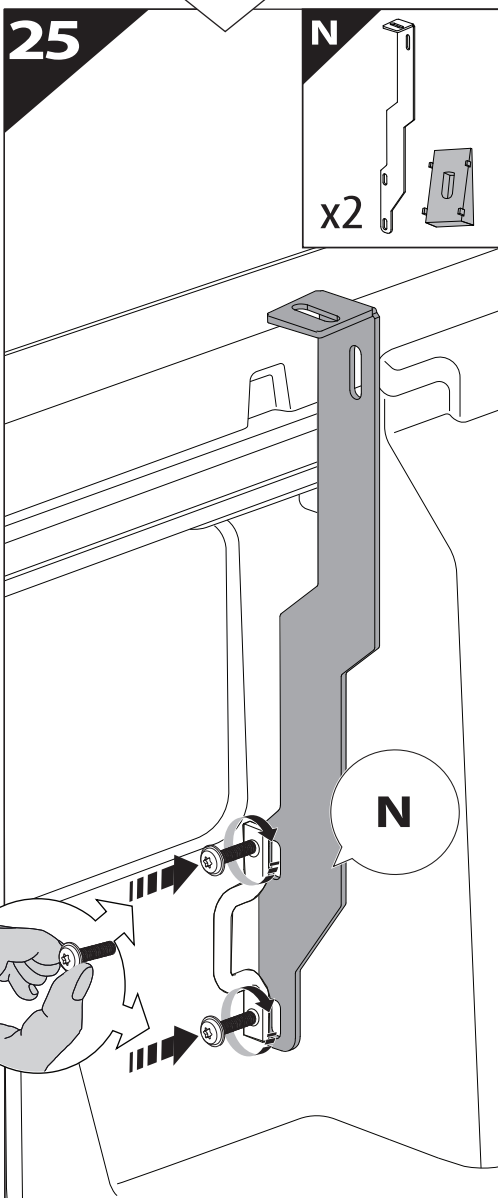
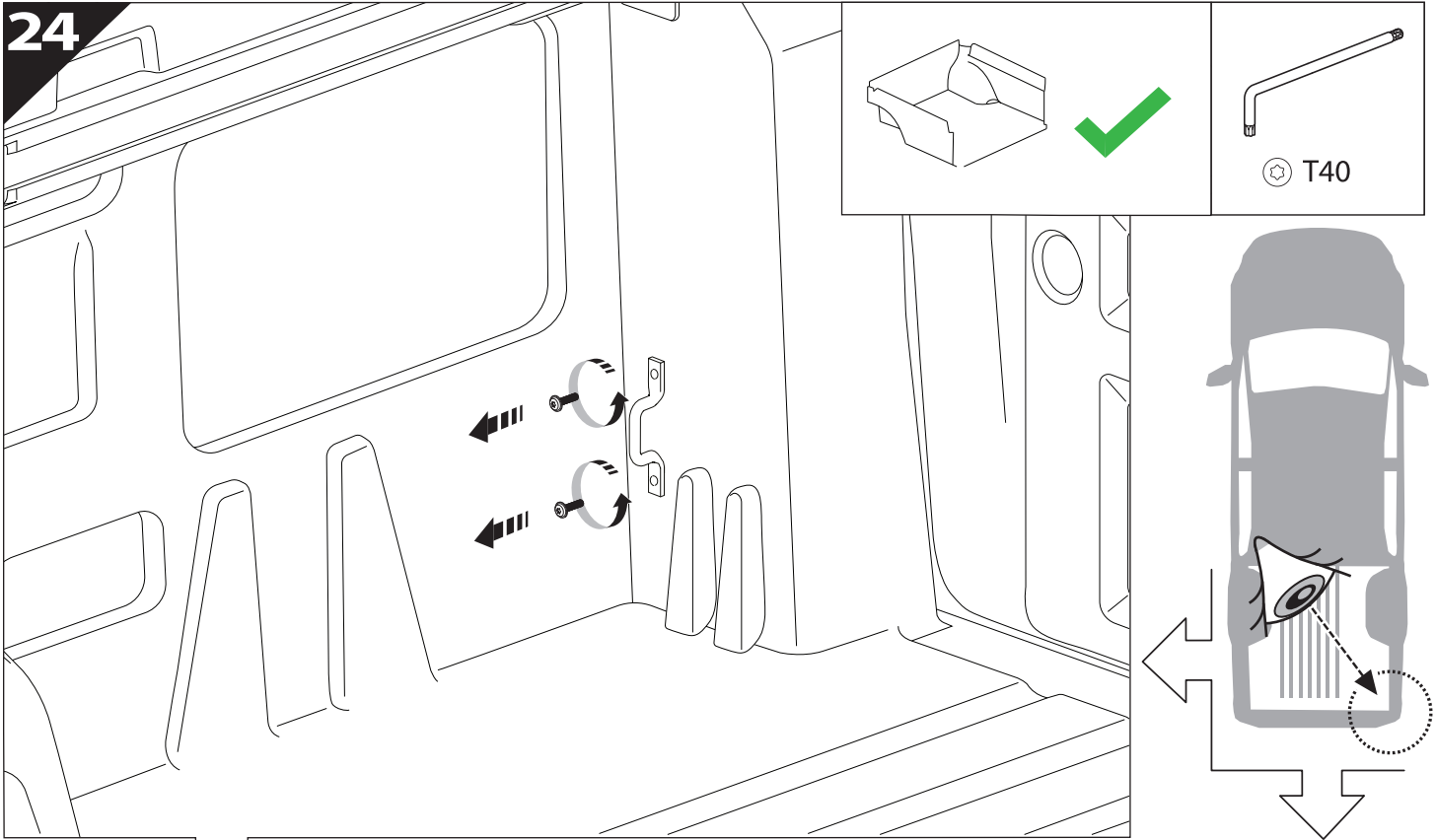




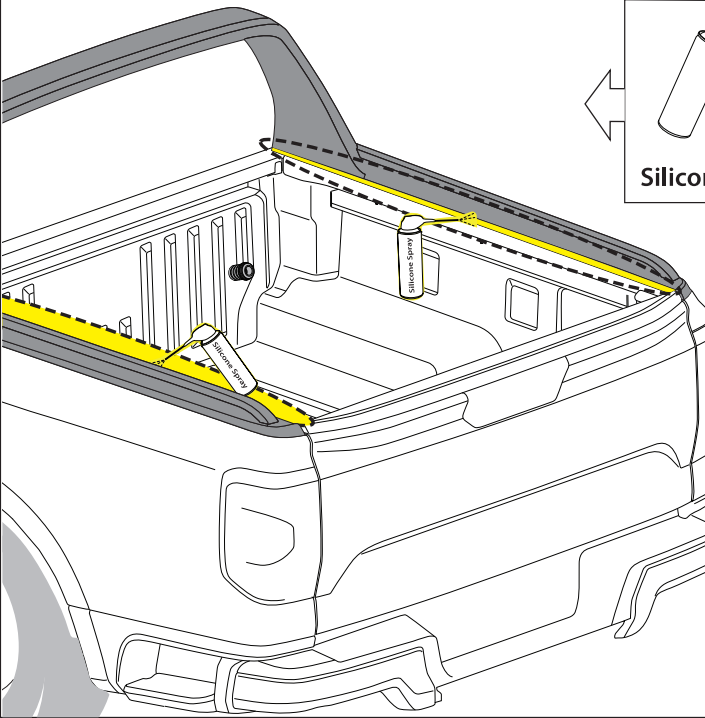
23.4

L2

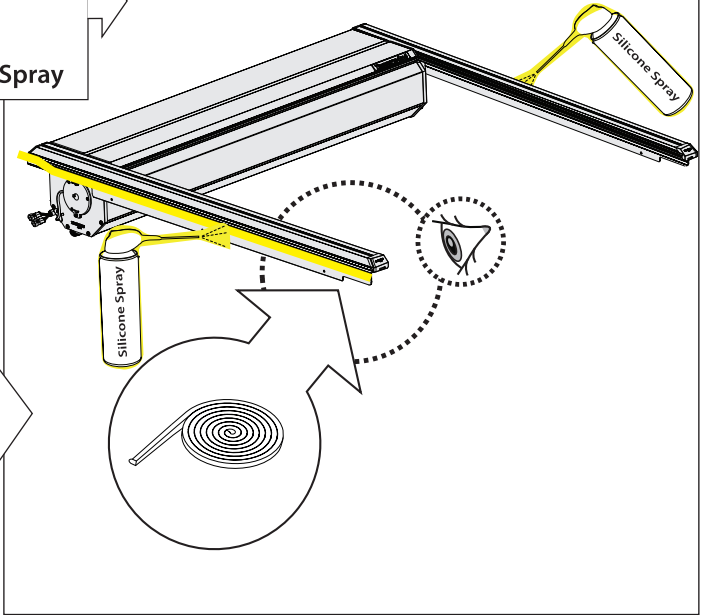
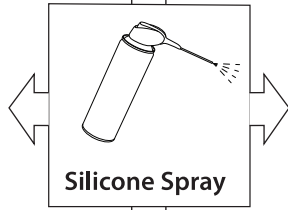




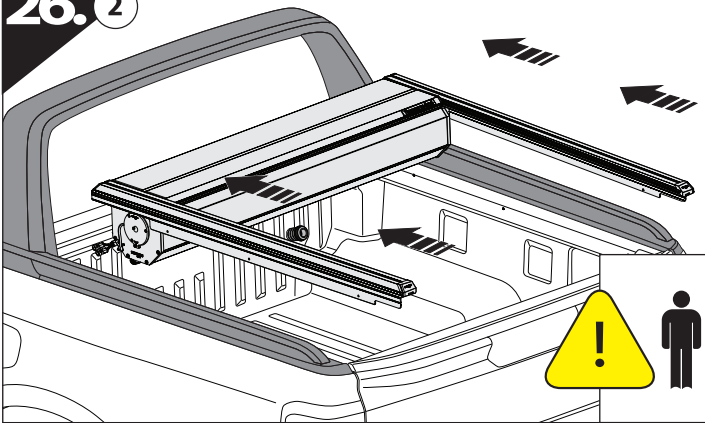
26



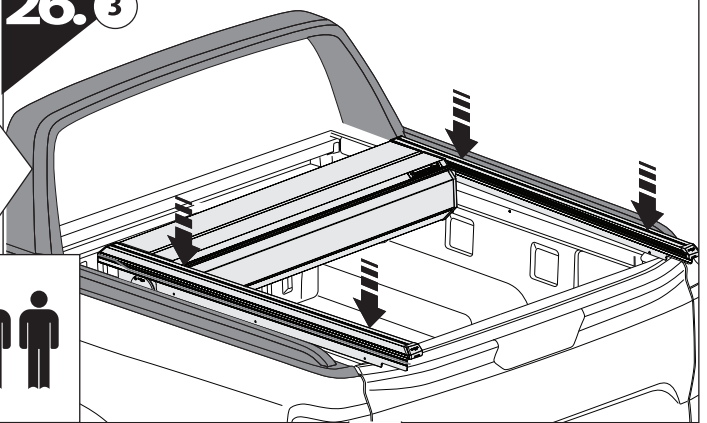
26.1



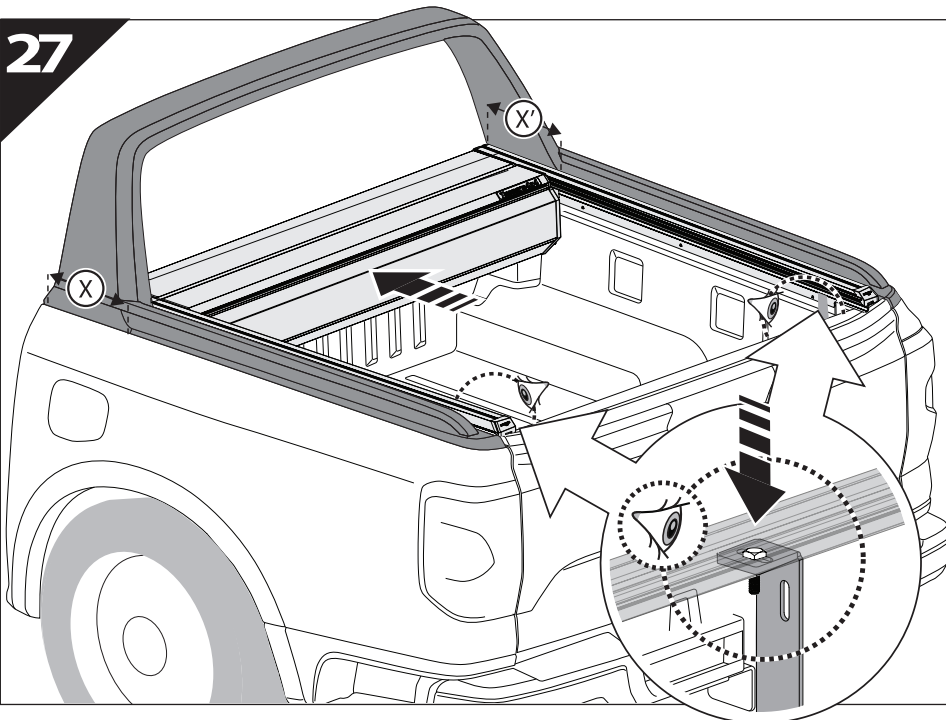
26.2

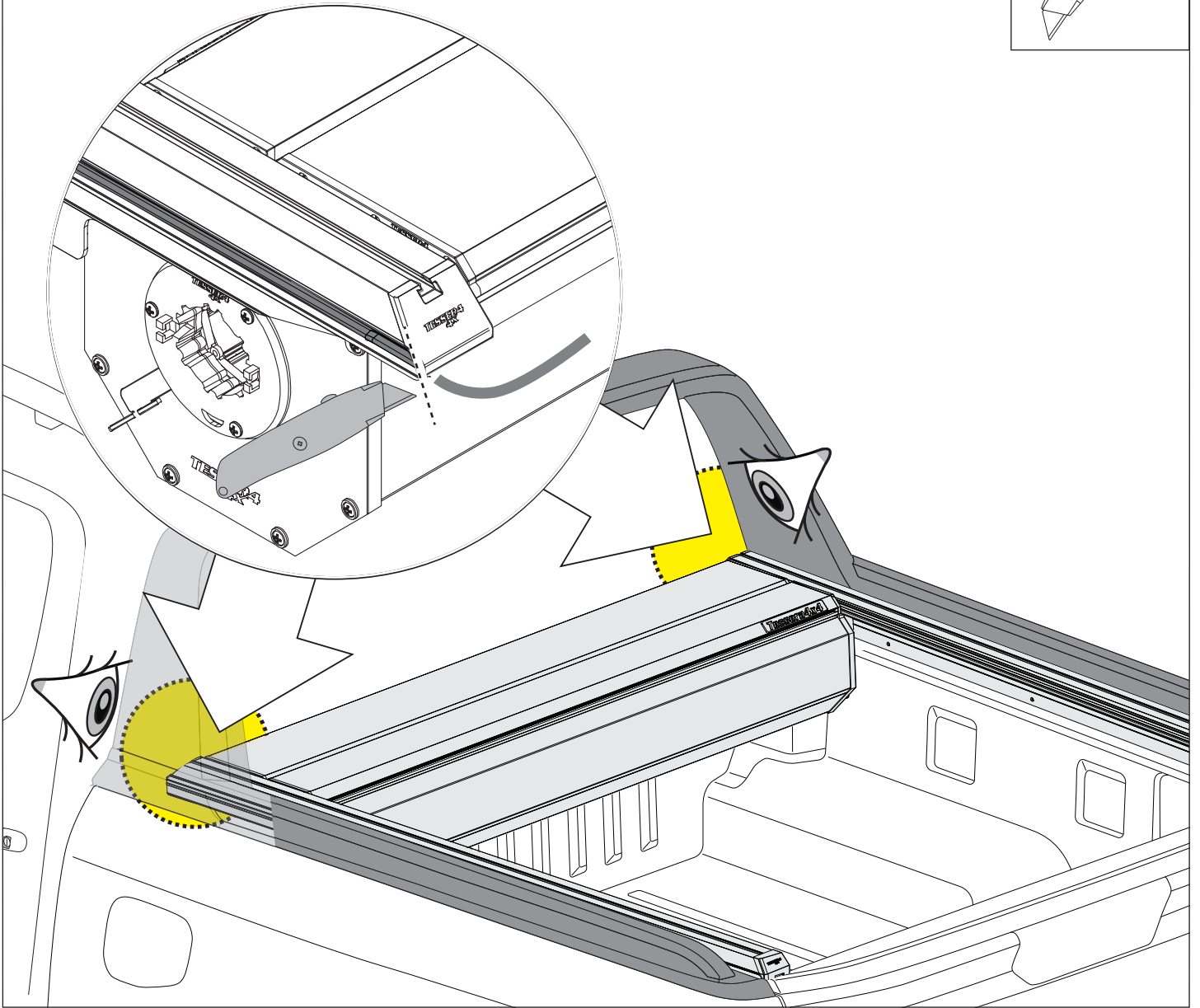
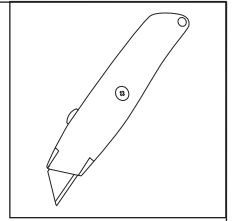


26.3

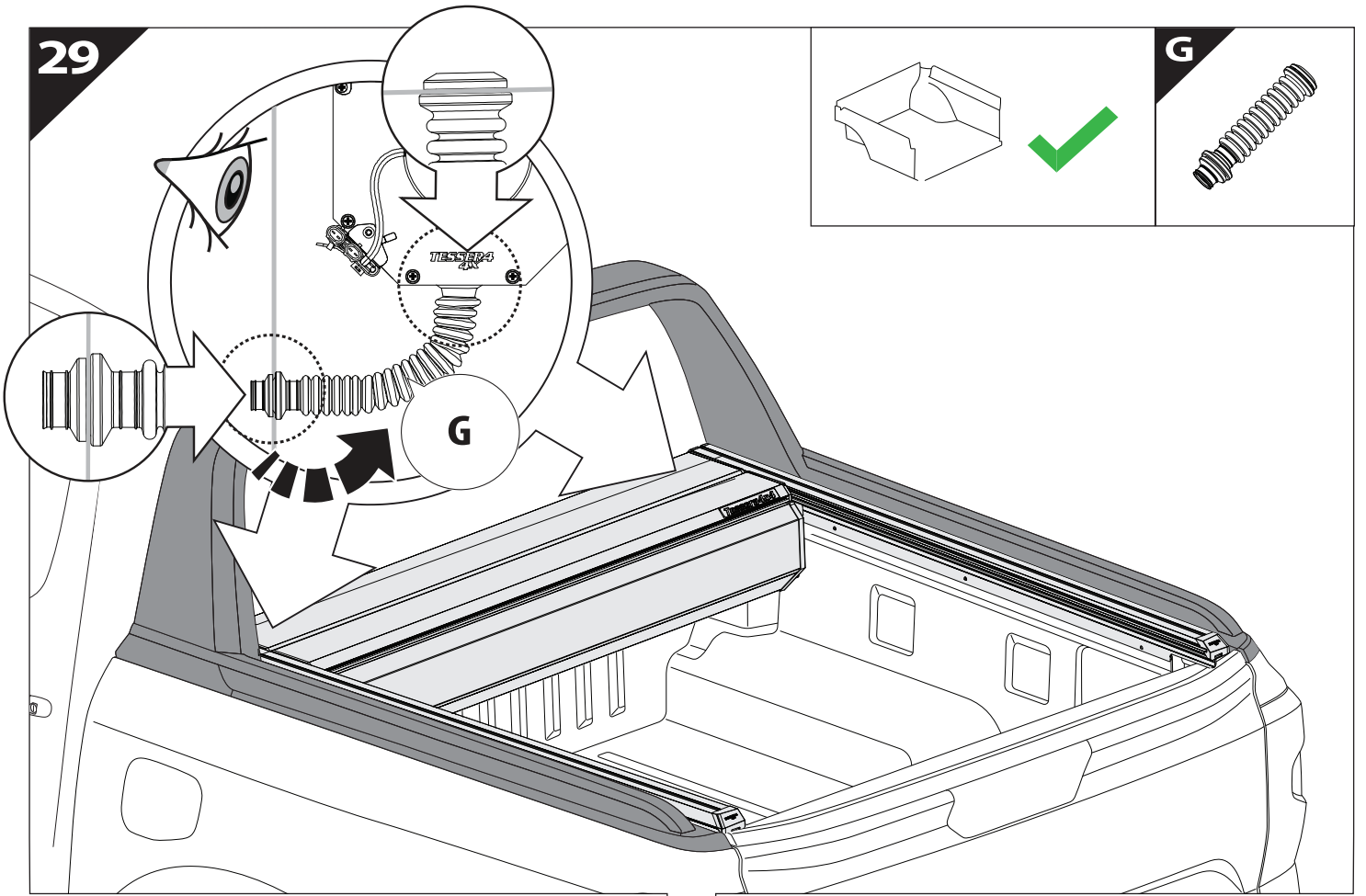


27

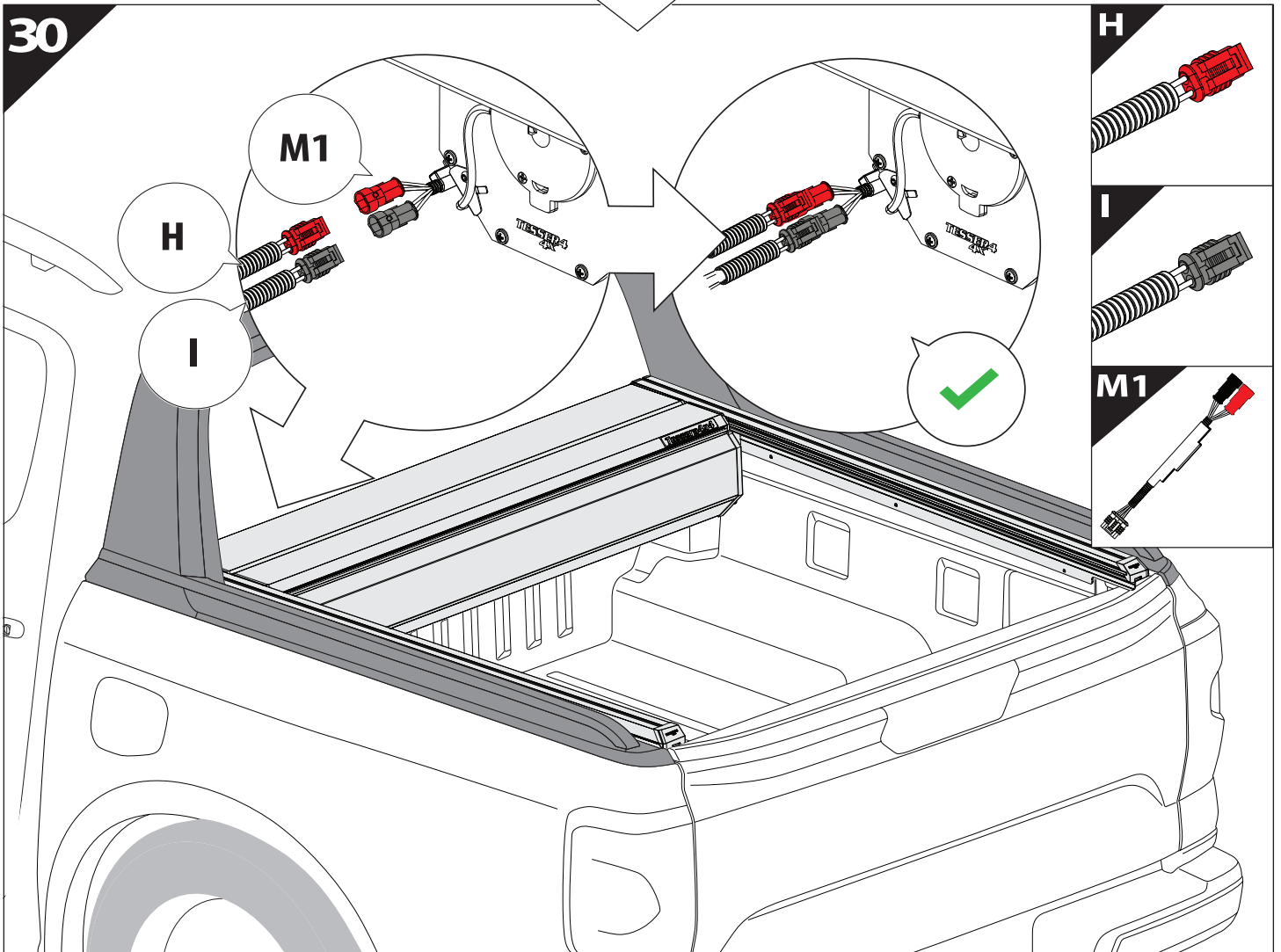





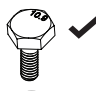

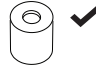

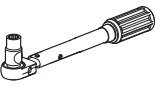
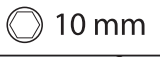
29

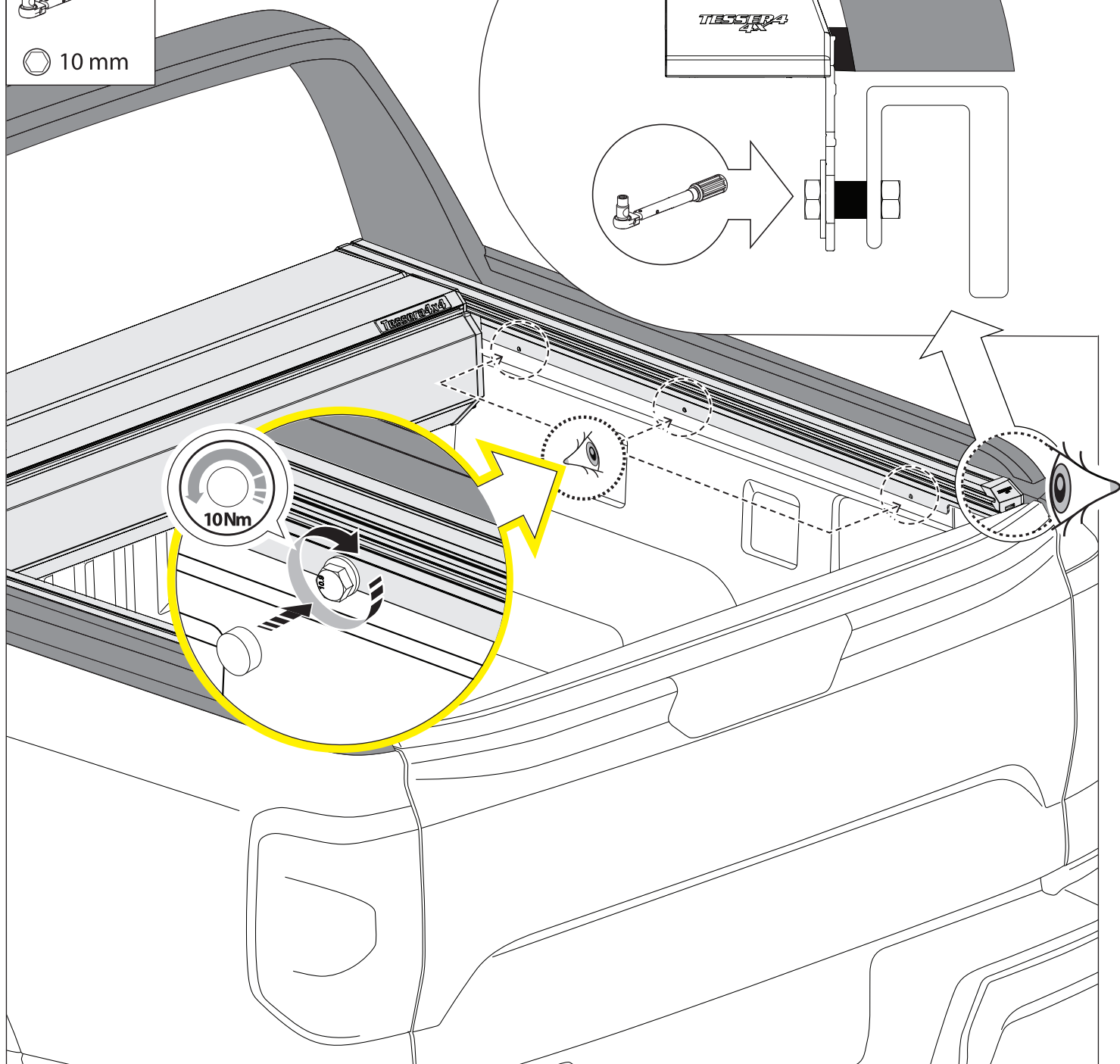
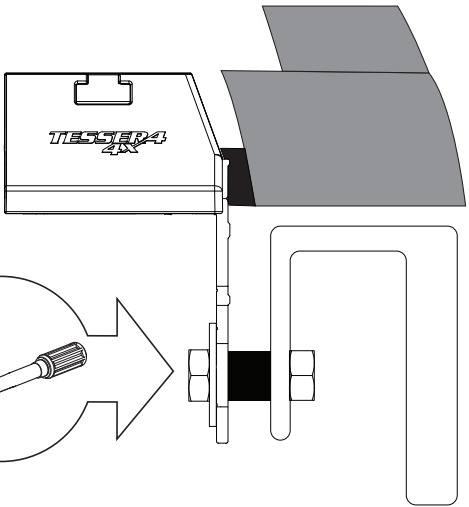
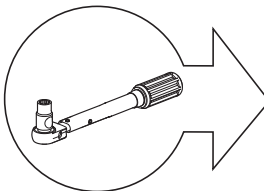
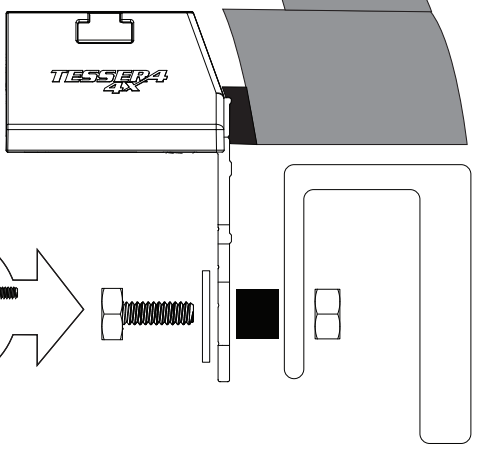
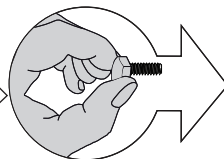
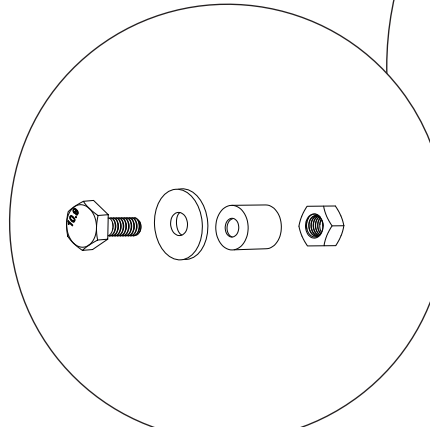


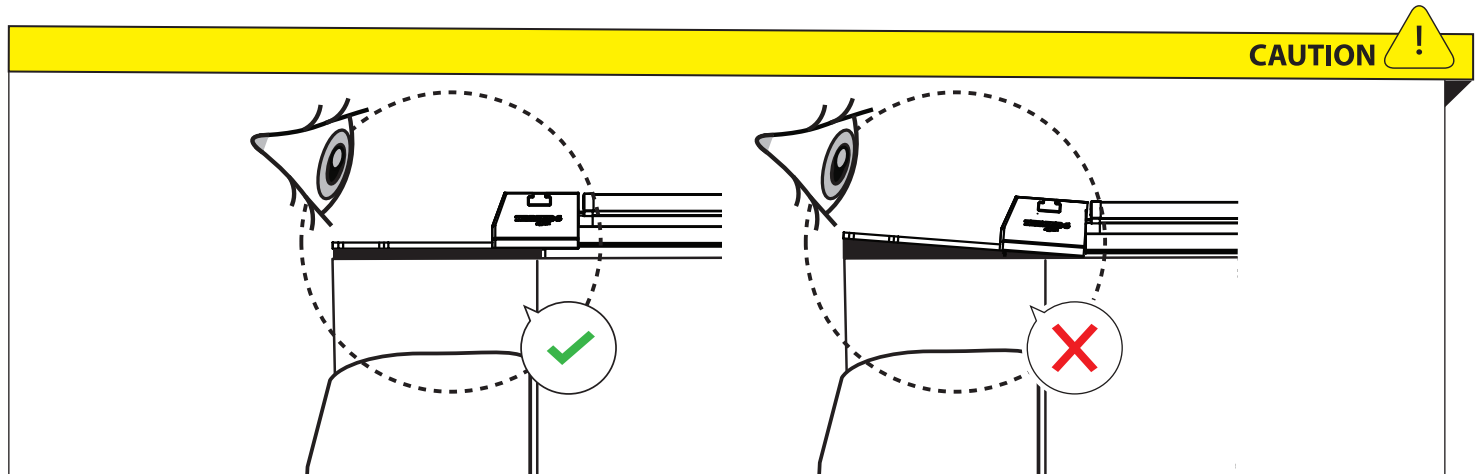
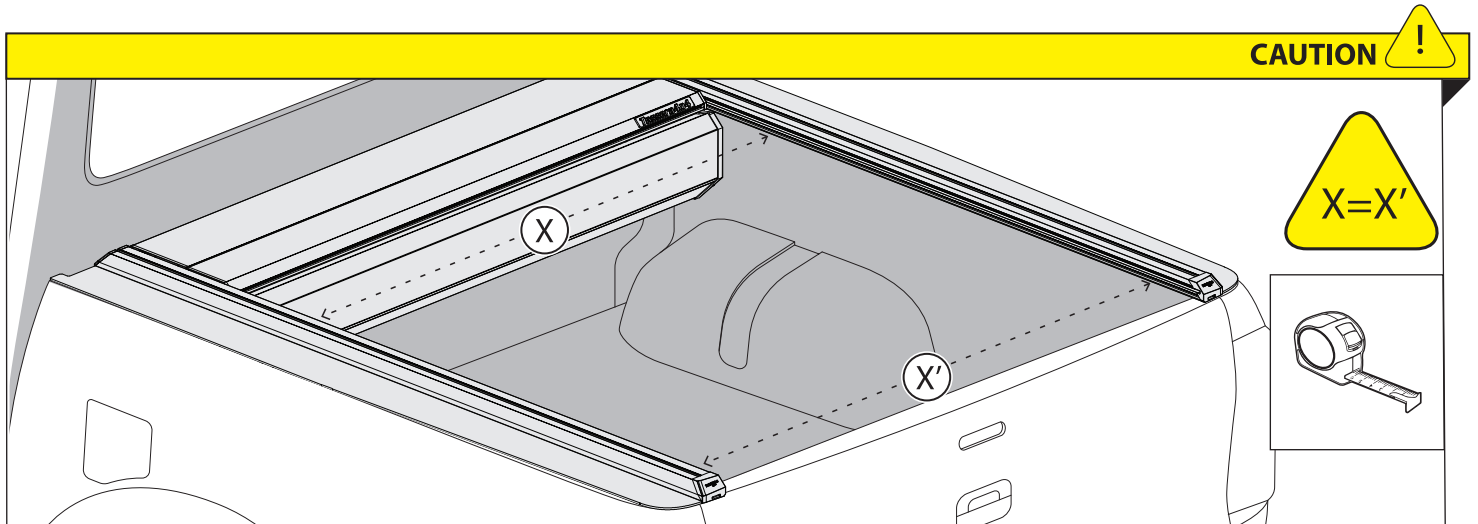
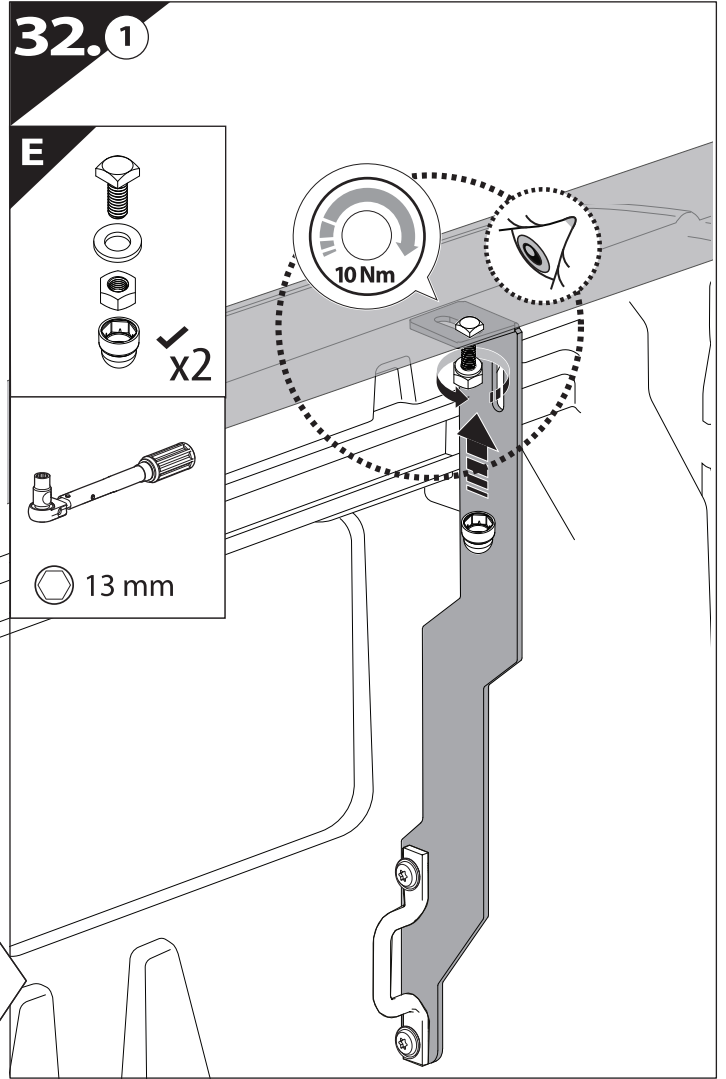
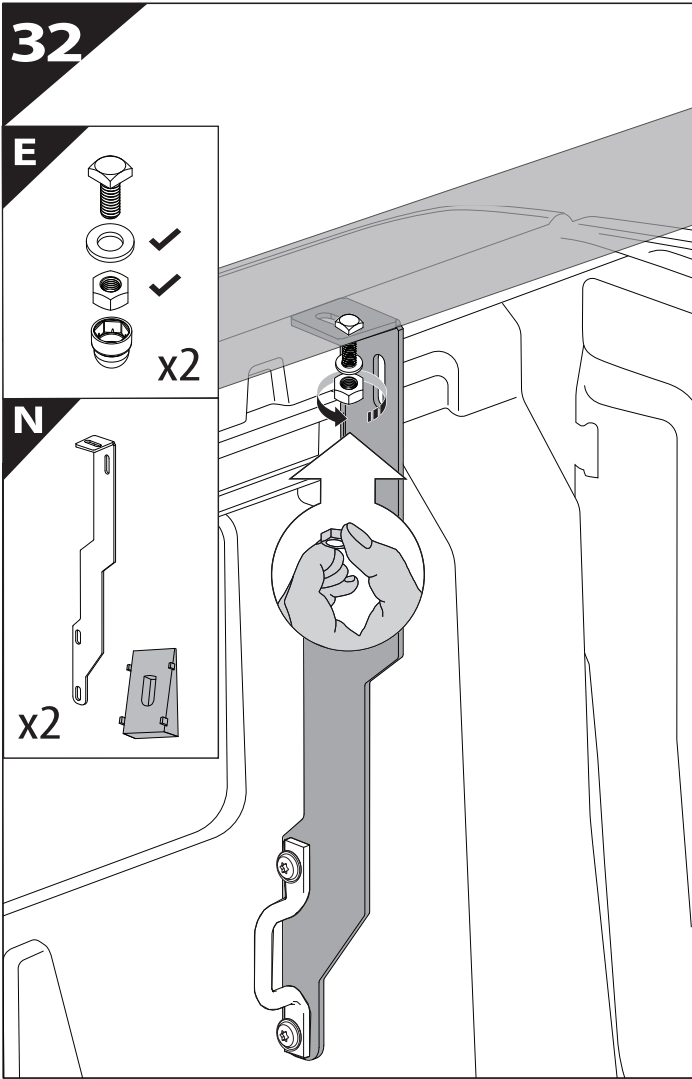
30

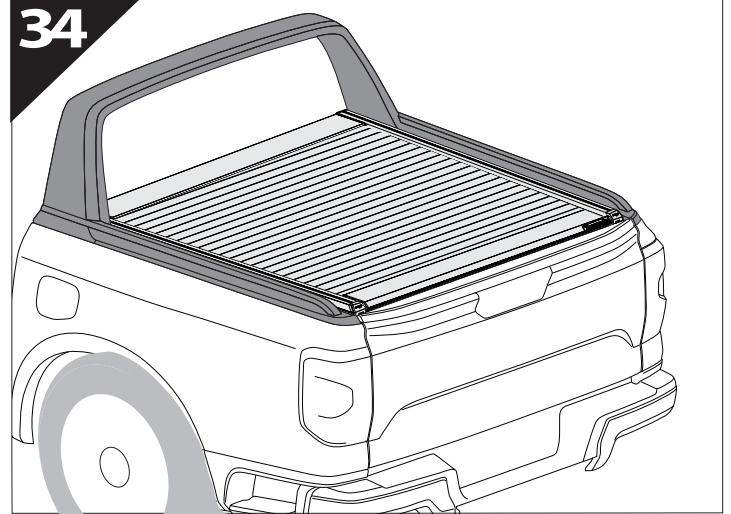
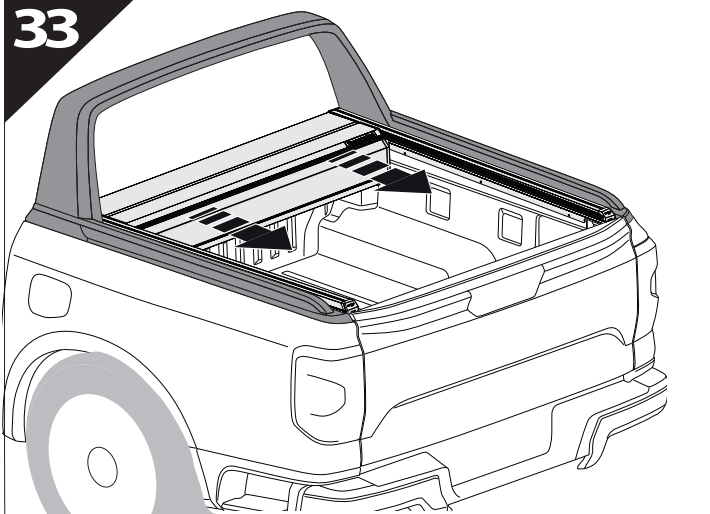


31

- E2
-  ✓
 -  ✓
 -  ✓
 -  ✓
 -  ✓
- x6
- 
 -  10 mm







GR: Οδηγίες Εγκατάστασης
GB: Installation manual
SF: Asennusohje
F: Notice de montage
PL: Instrukcja montażu
NL: Installatie-instructies
TR: Montaj Talimatı
S: Monteringsanvisning
E: Instrucciones de montaje

H: Szerelési utasítás
P: Instruções de instalação
RUS: Инструкция по установке
N: Monteringsveiledning
D: Einbauanleitung
CZ: Návod k instalaci
I: Istruzioni de montaggio
DK: Monteringsvejledning
RO: Instructiuni de instalare

Customer Service:

+30 (210) 5541161, +30 (210) 5541154 (08:00 - 16:00 EET)

Support department:

info@gianso.gr

Website:

www.tessera4x4.com

Address:

19.5 km of National road Athens-Korinthos (Elefsina) Greece, P.C: 19200