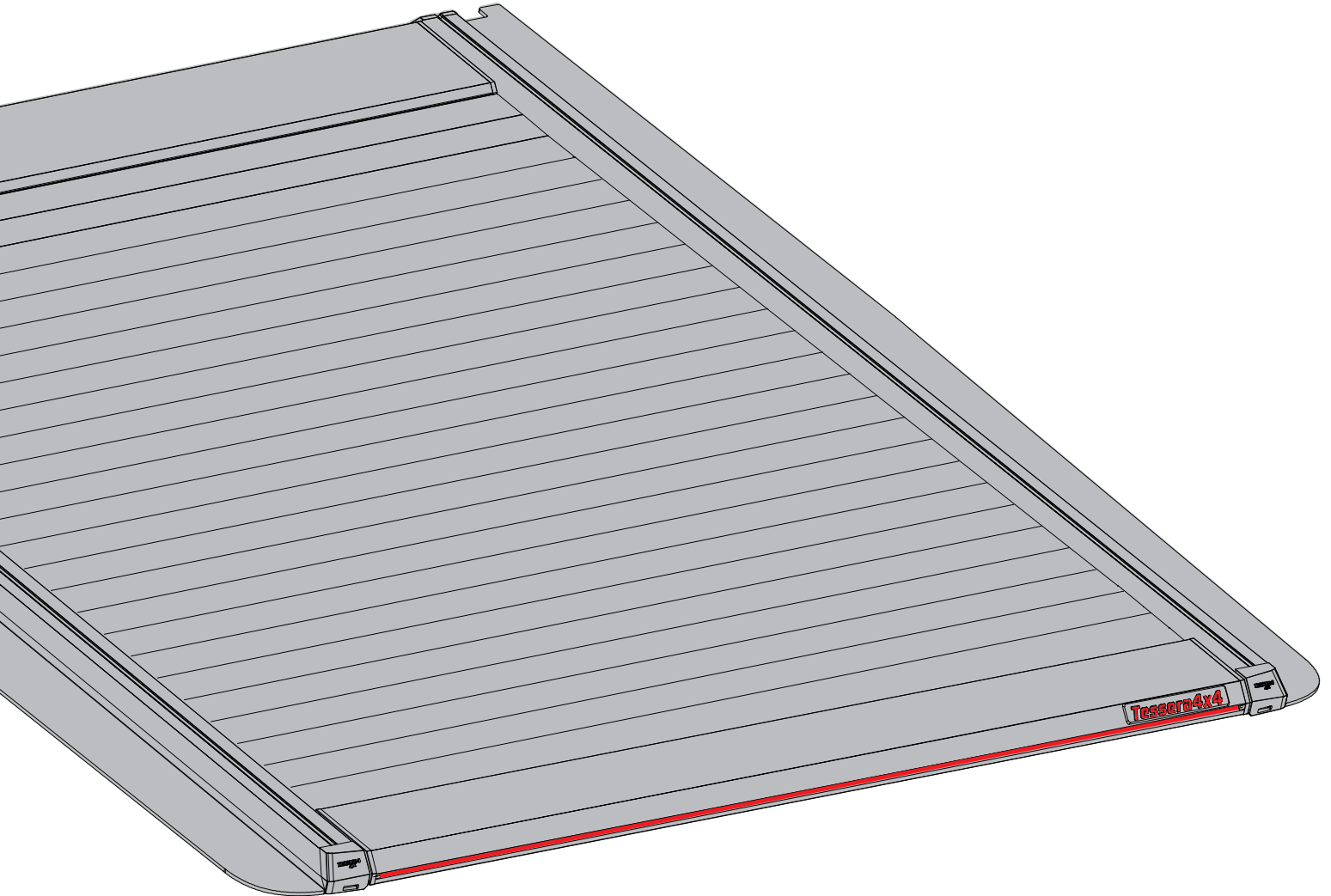


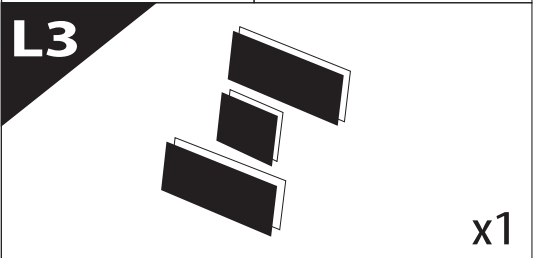
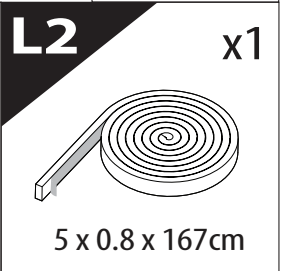
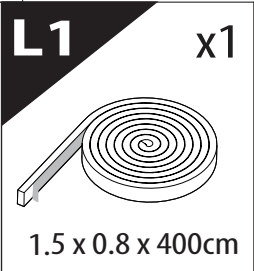
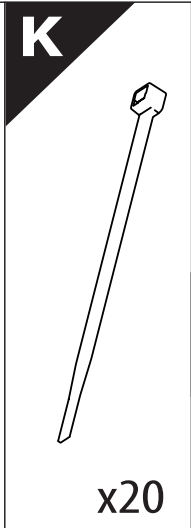
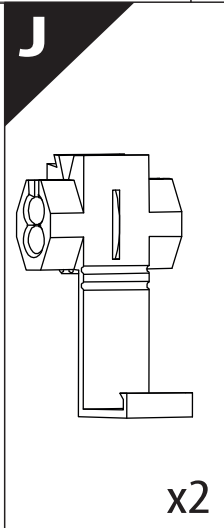
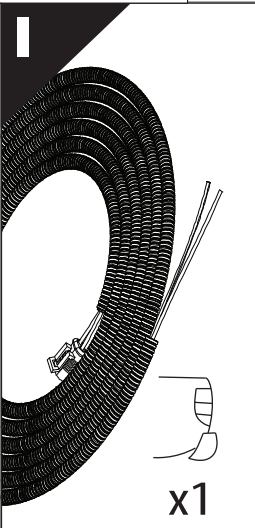
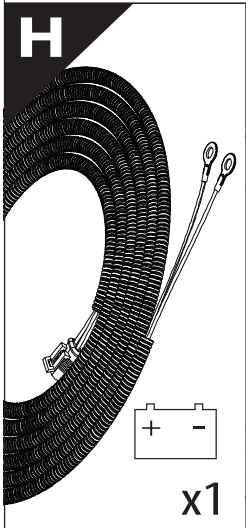
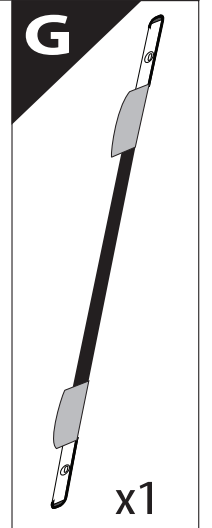
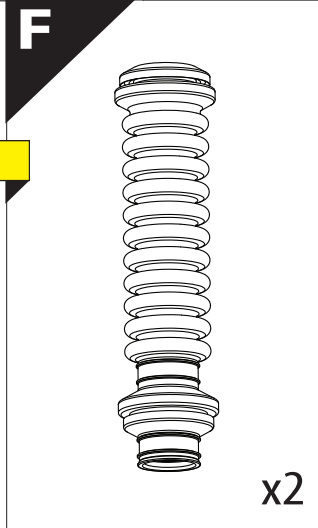
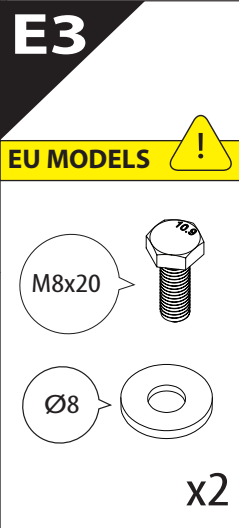
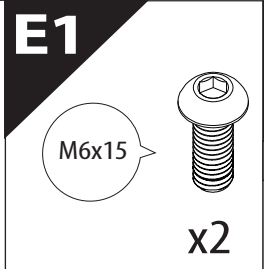
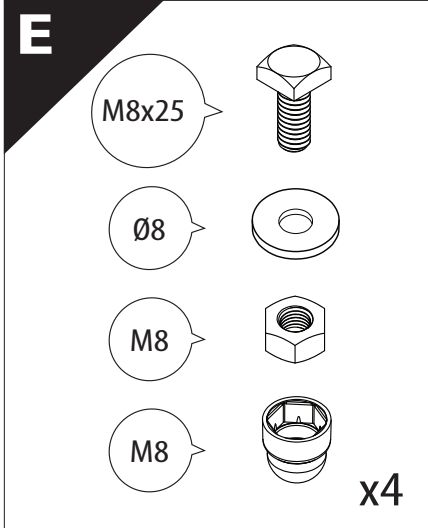
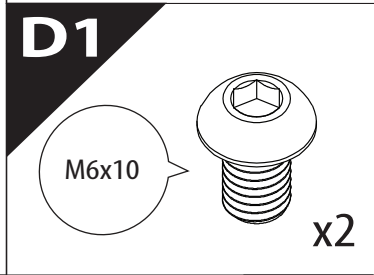
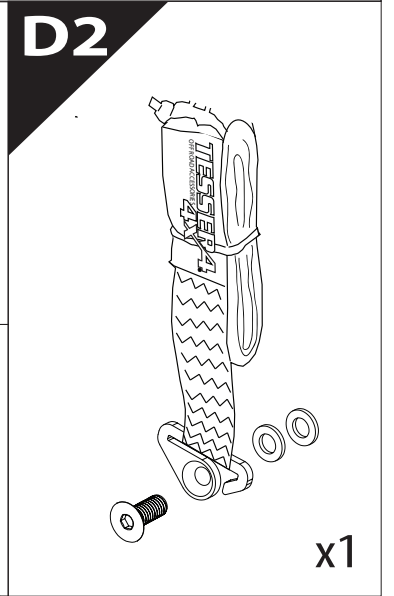
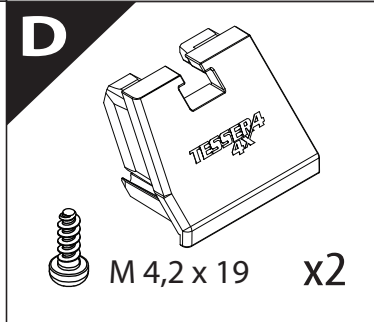
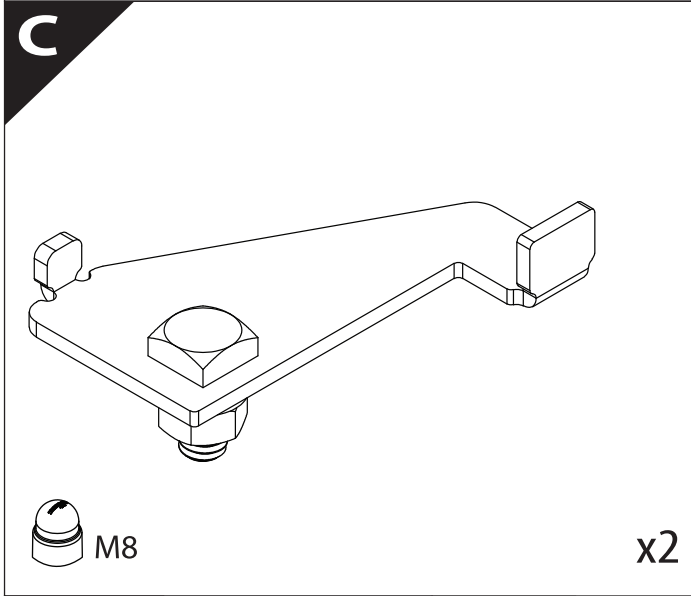
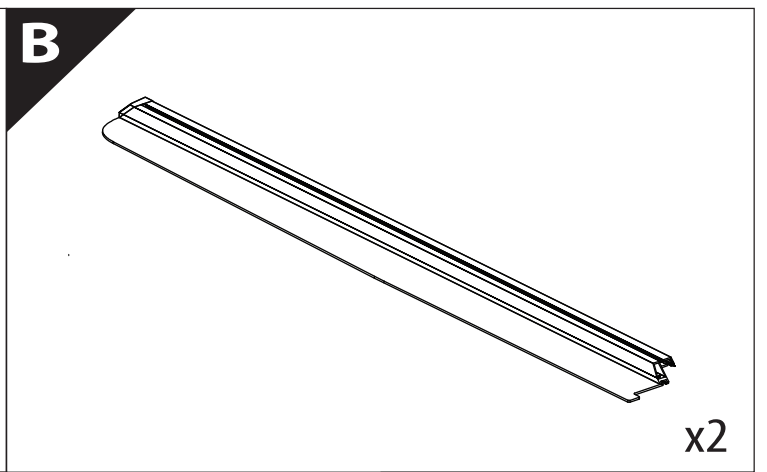
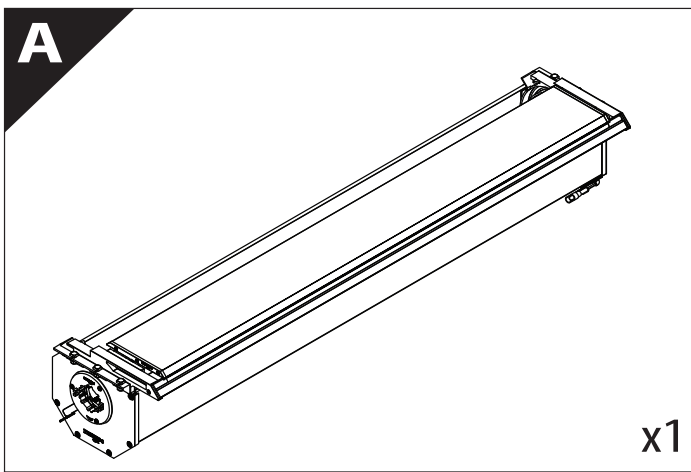
# Tessera Roll+

Basic Version + ⚡ E-KIT

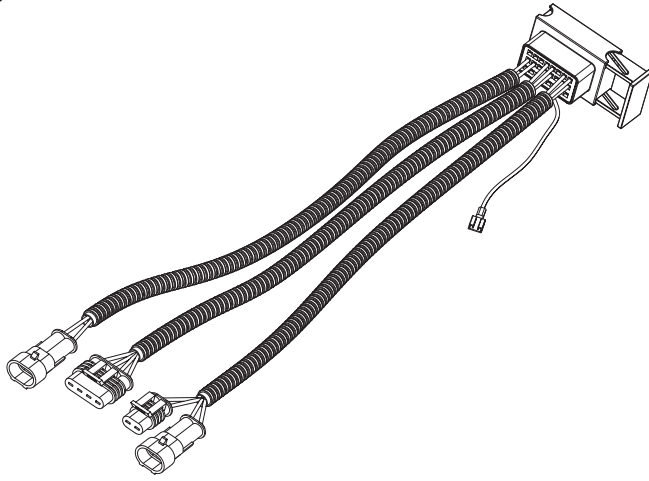


## Installation Manual

PART NUMBER(S)	Model Year
TESS 14061 ROLL+E-KIT	FORD RANGER <b>RAPTOR</b> 2023+ (P 703)
Cab(s)	Installation Time / Weight
Double Cab	40-60 minutes / 53-57 kg

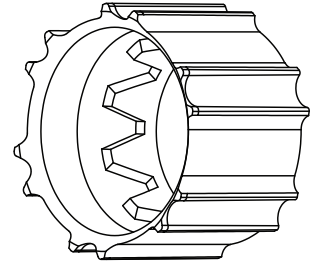


M2



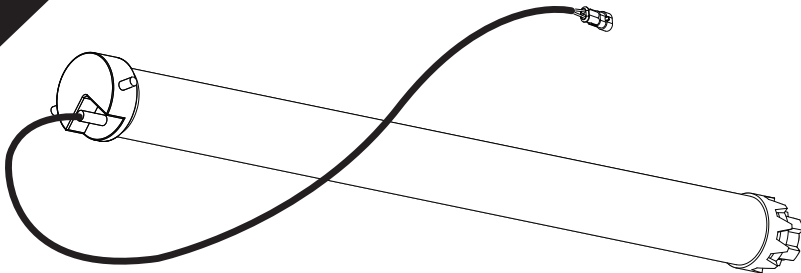
x1

N



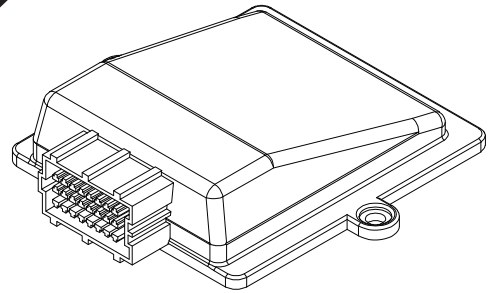
x1

O



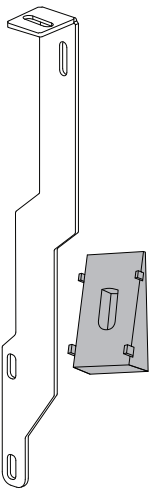
x1

P



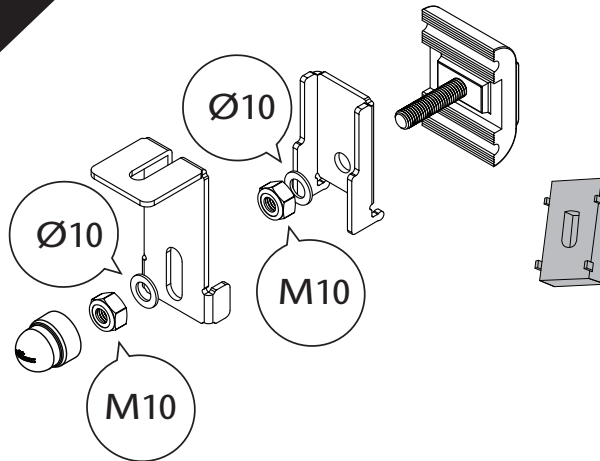
x1

Q



x2

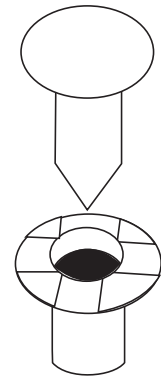
R



x2

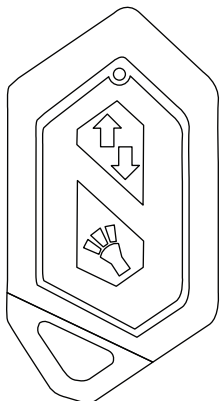
S

US MODELS !



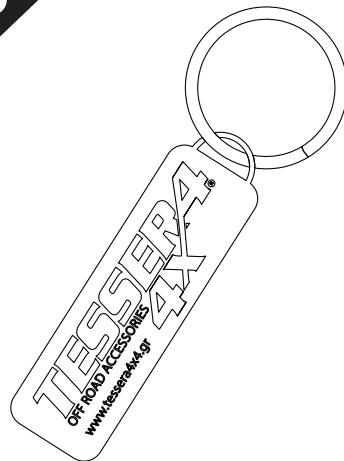
x2

T

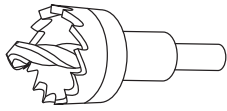


x2

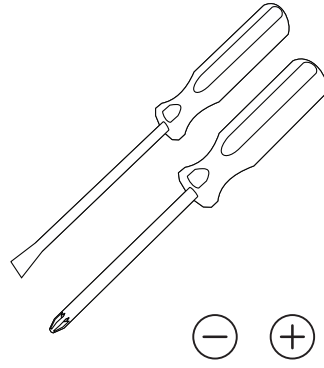
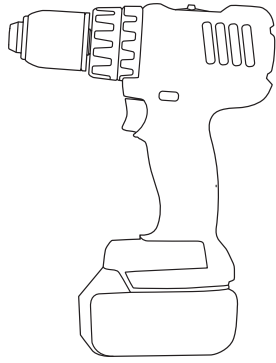
U



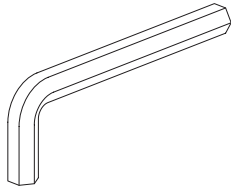
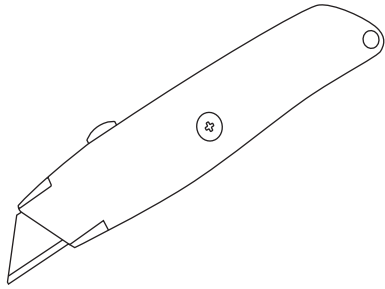
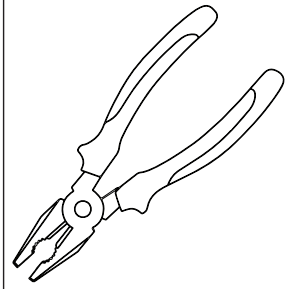
x2



Ø 25 mm

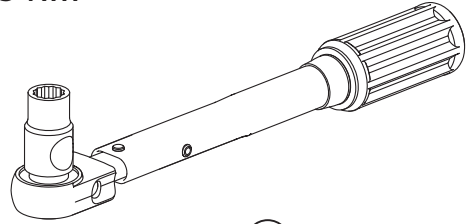


− +



4 mm

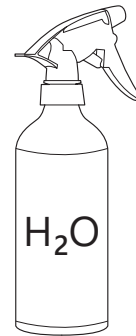
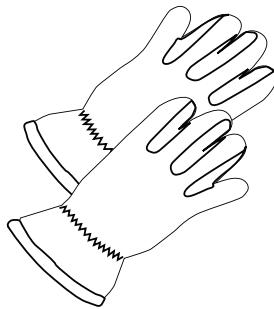
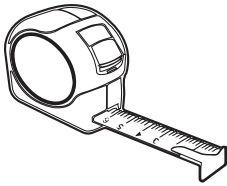
1 - 25 Nm



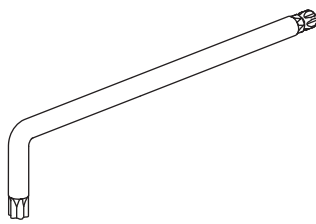
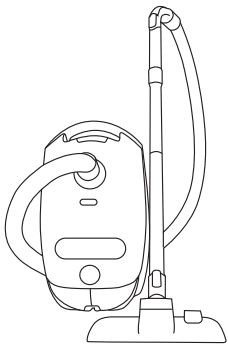
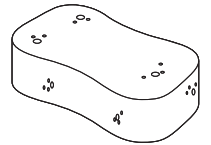
10, 12, 13, 17 mm



ACETONE



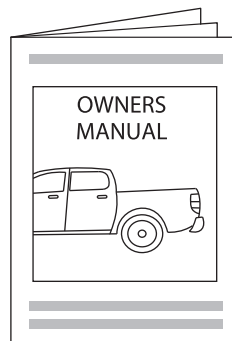
H<sub>2</sub>O



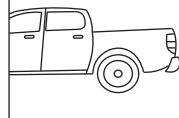
T30, T40



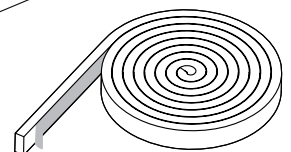
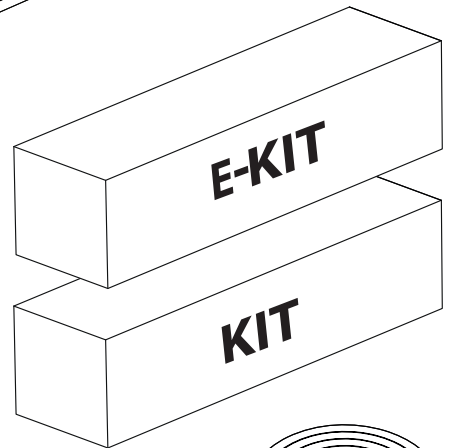
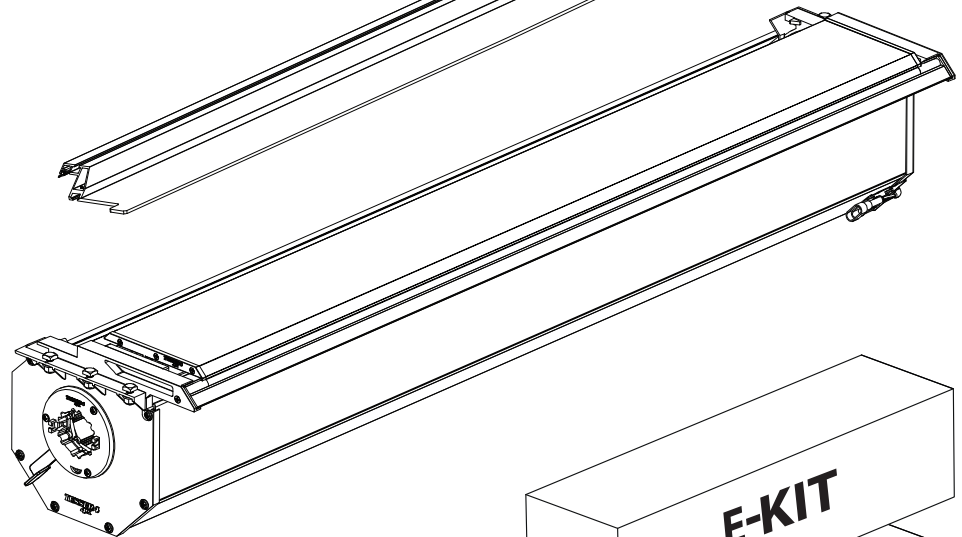
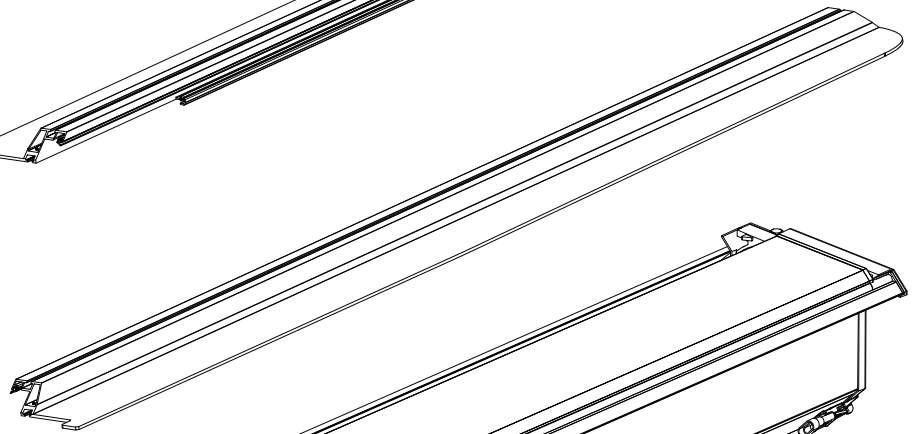
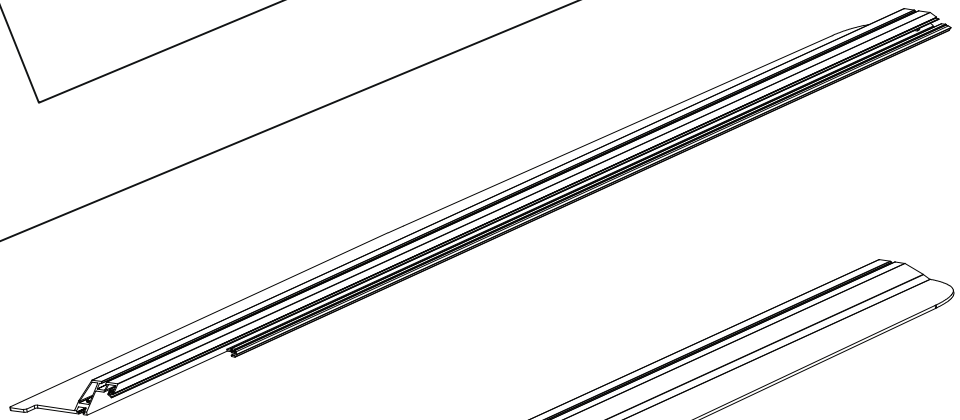
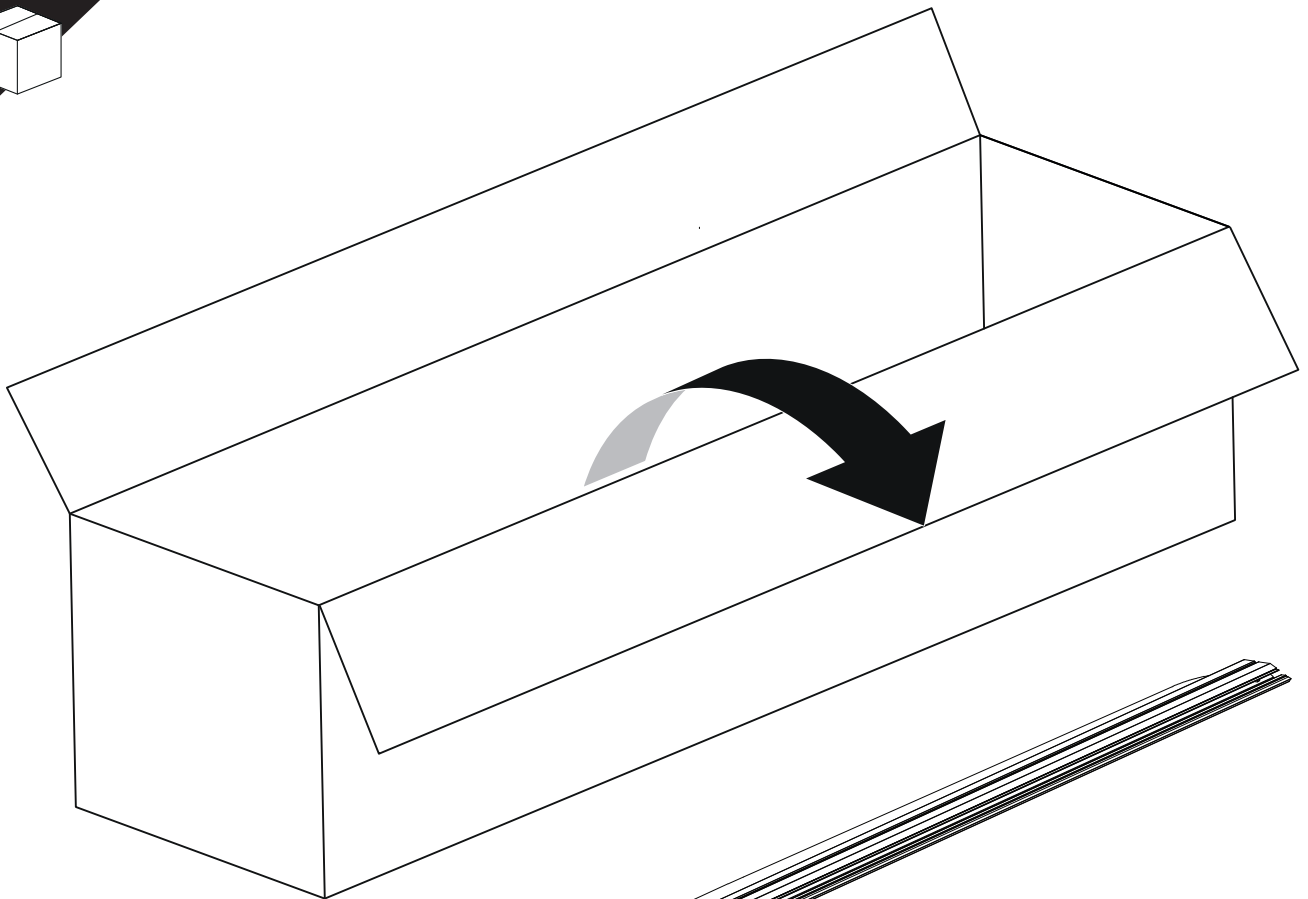
INSTALLATION  
MANUAL  
+E-KIT



OWNERS  
MANUAL



x1

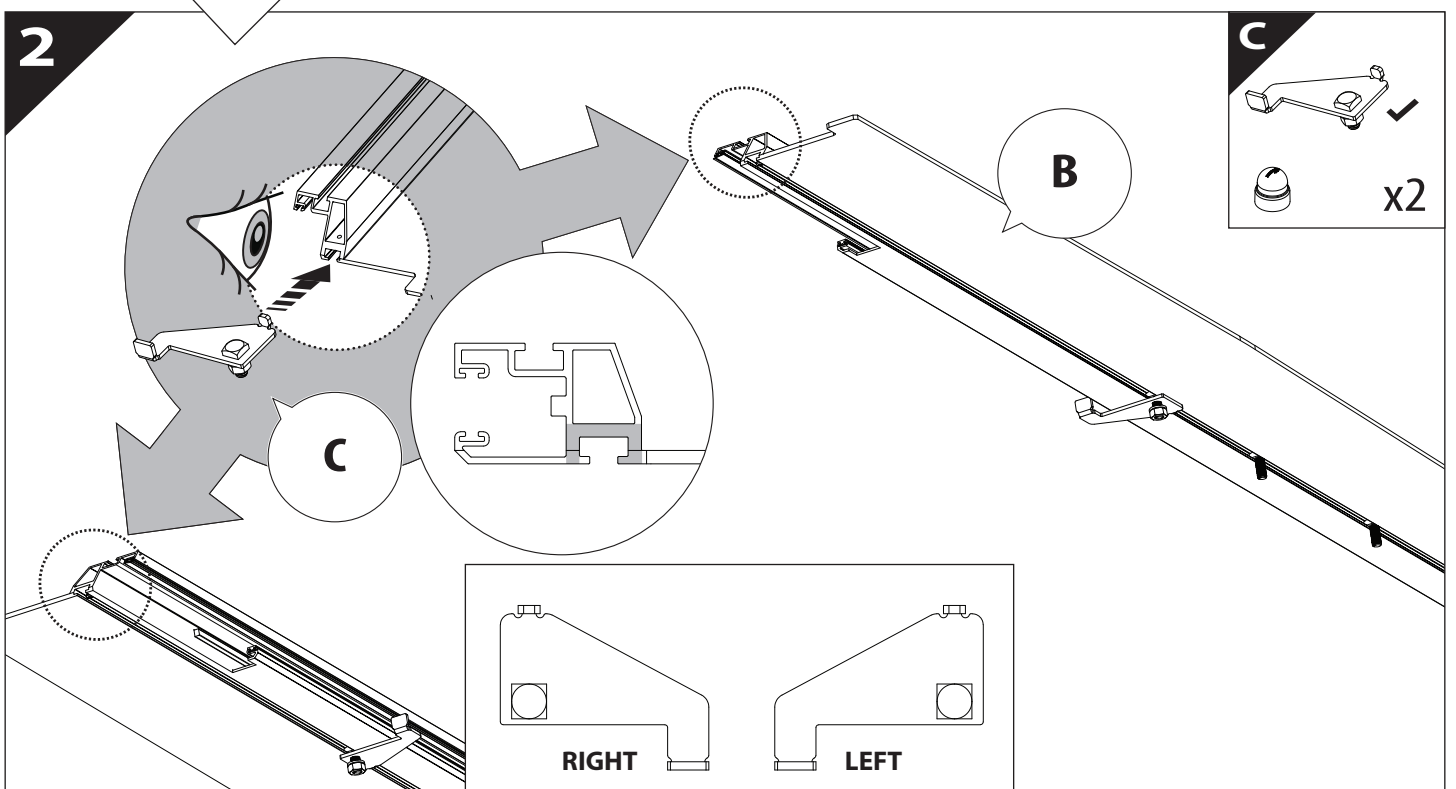
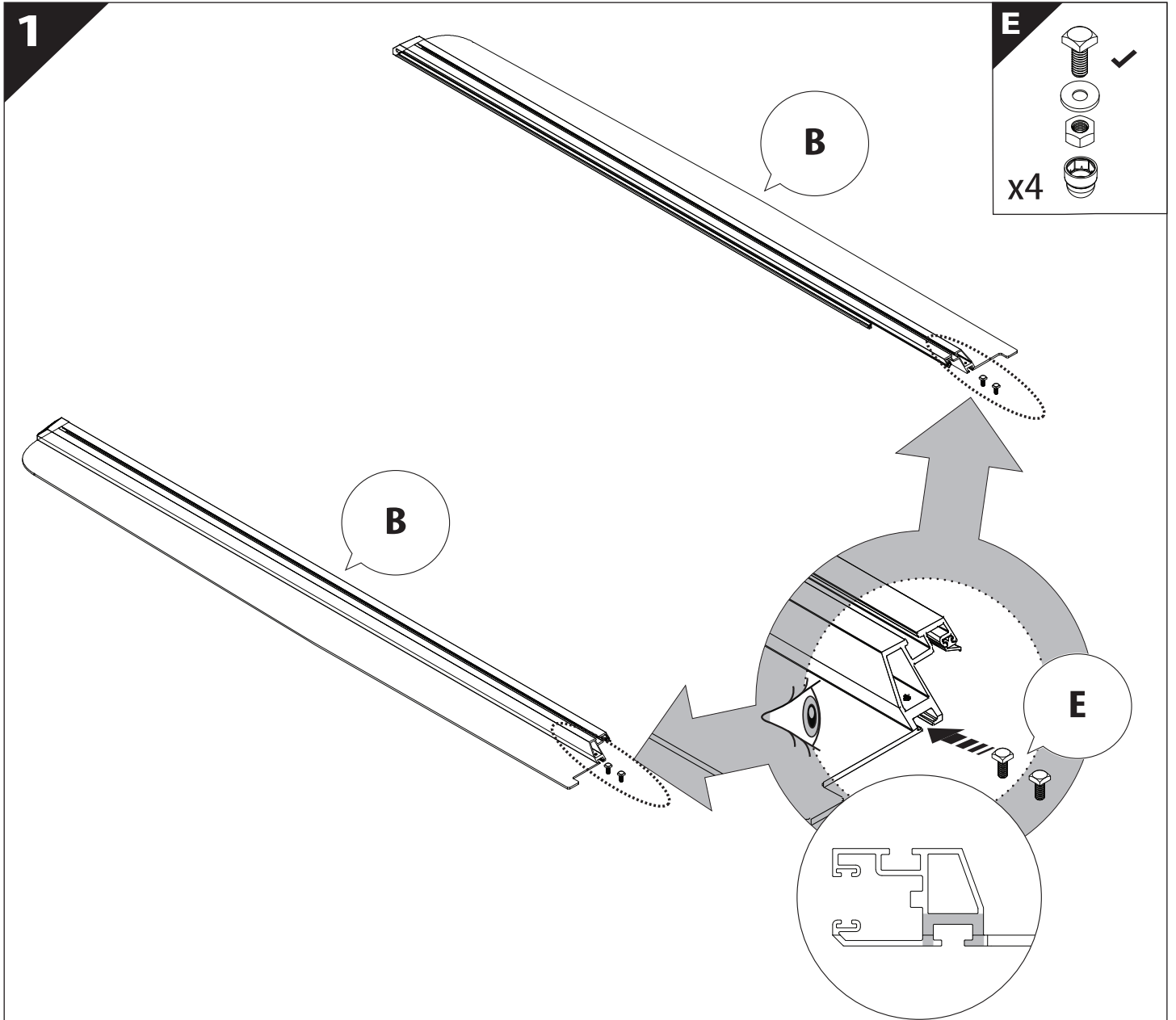


**B**

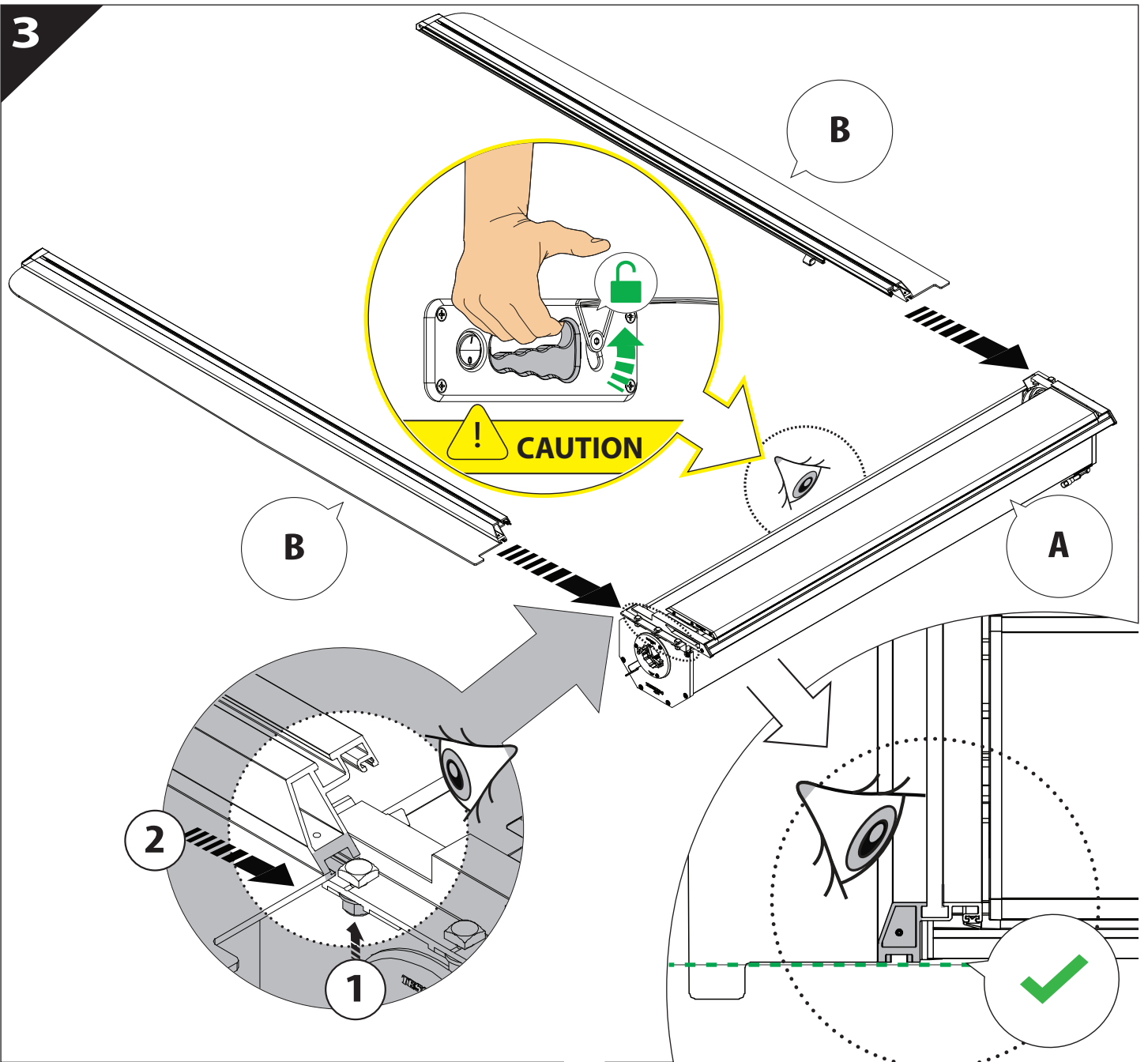
**A**

**KITS**

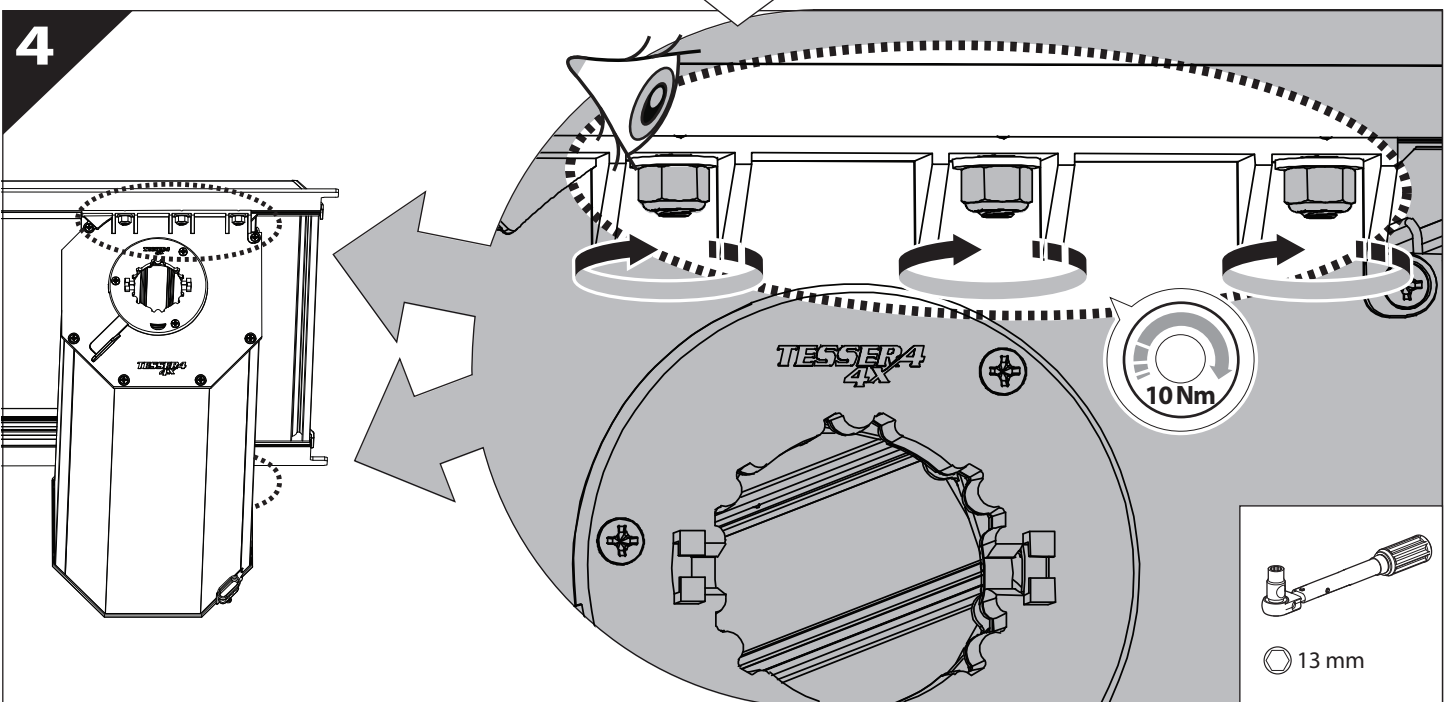
**L**

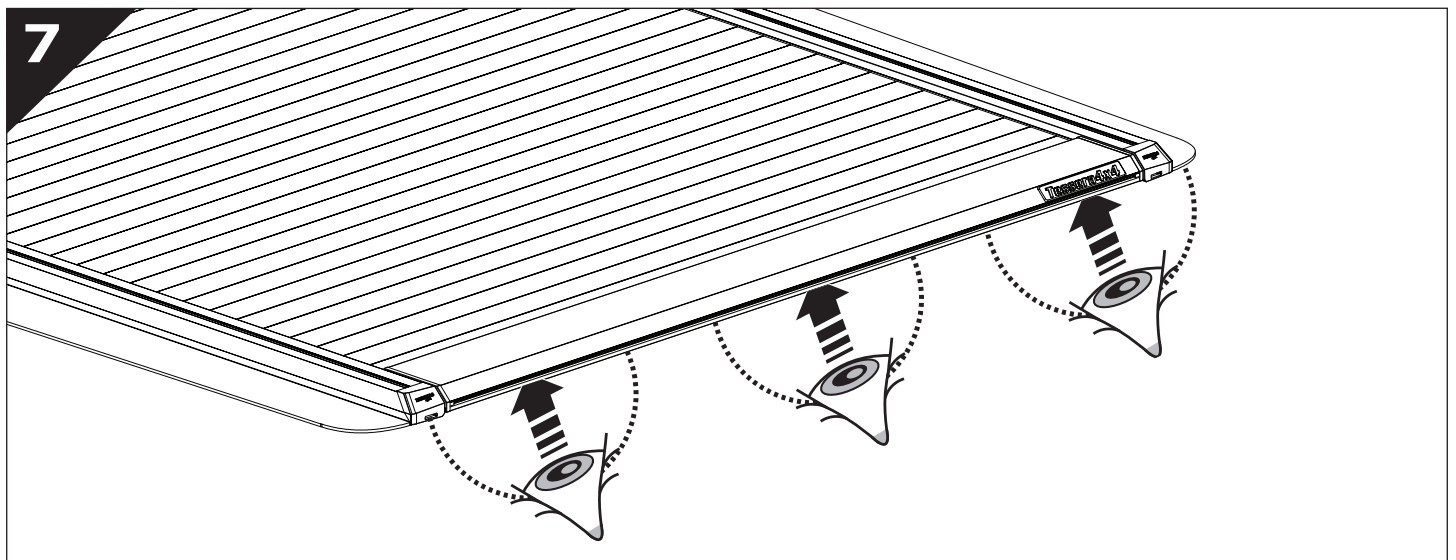
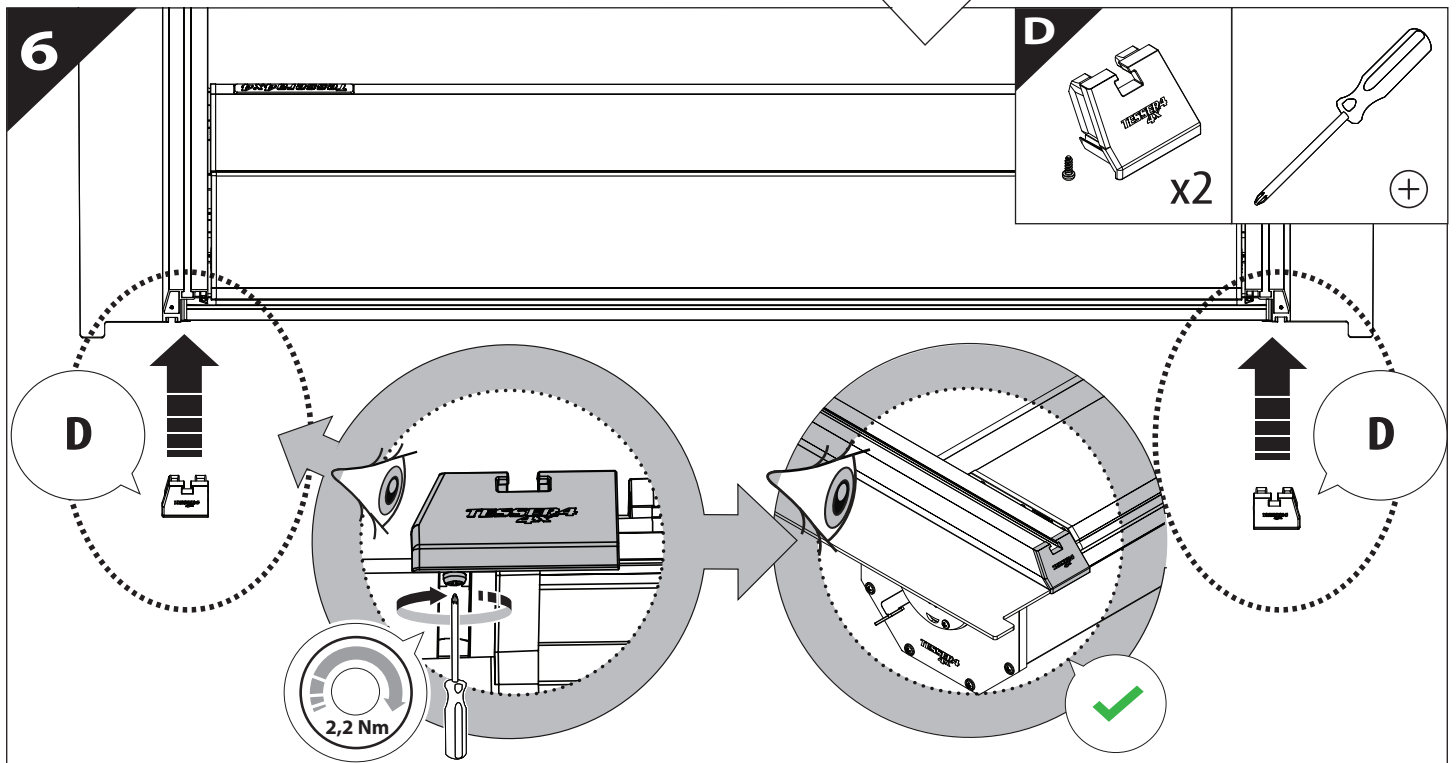
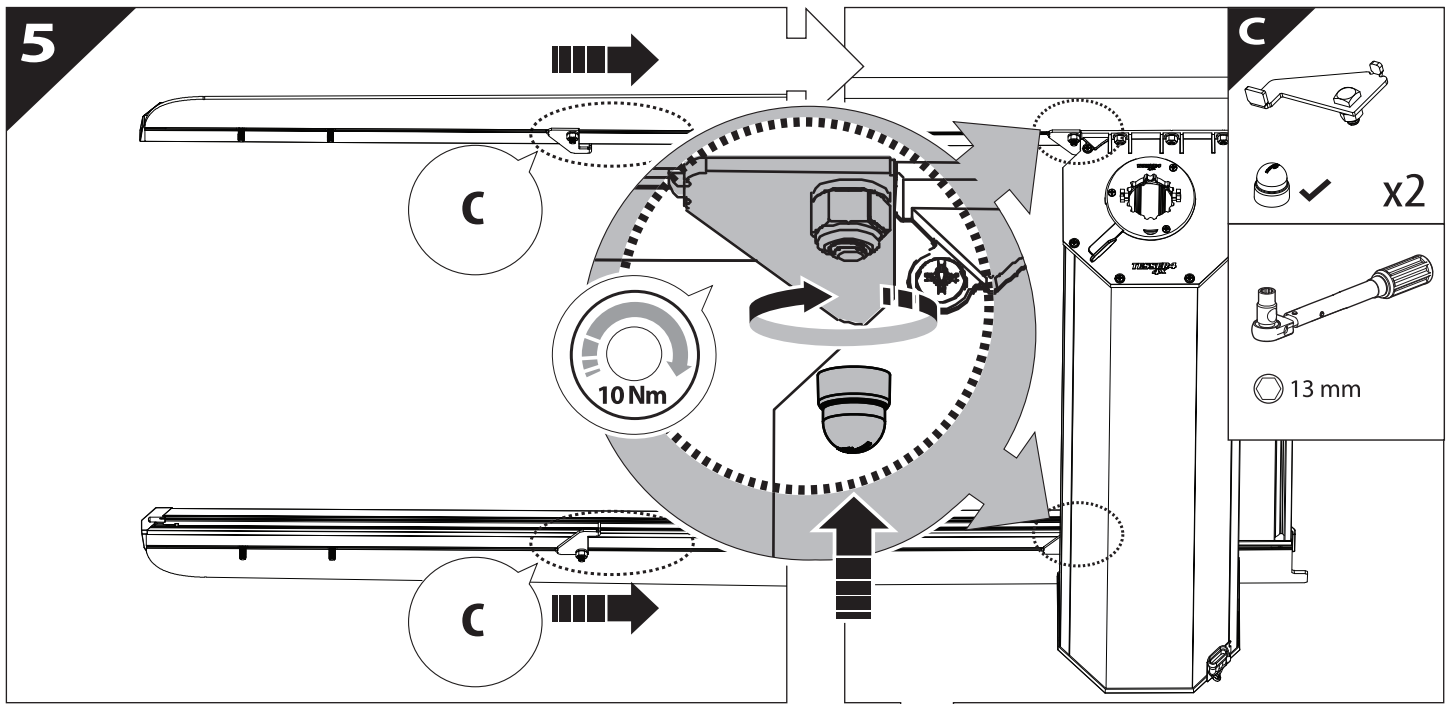


3



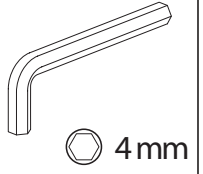
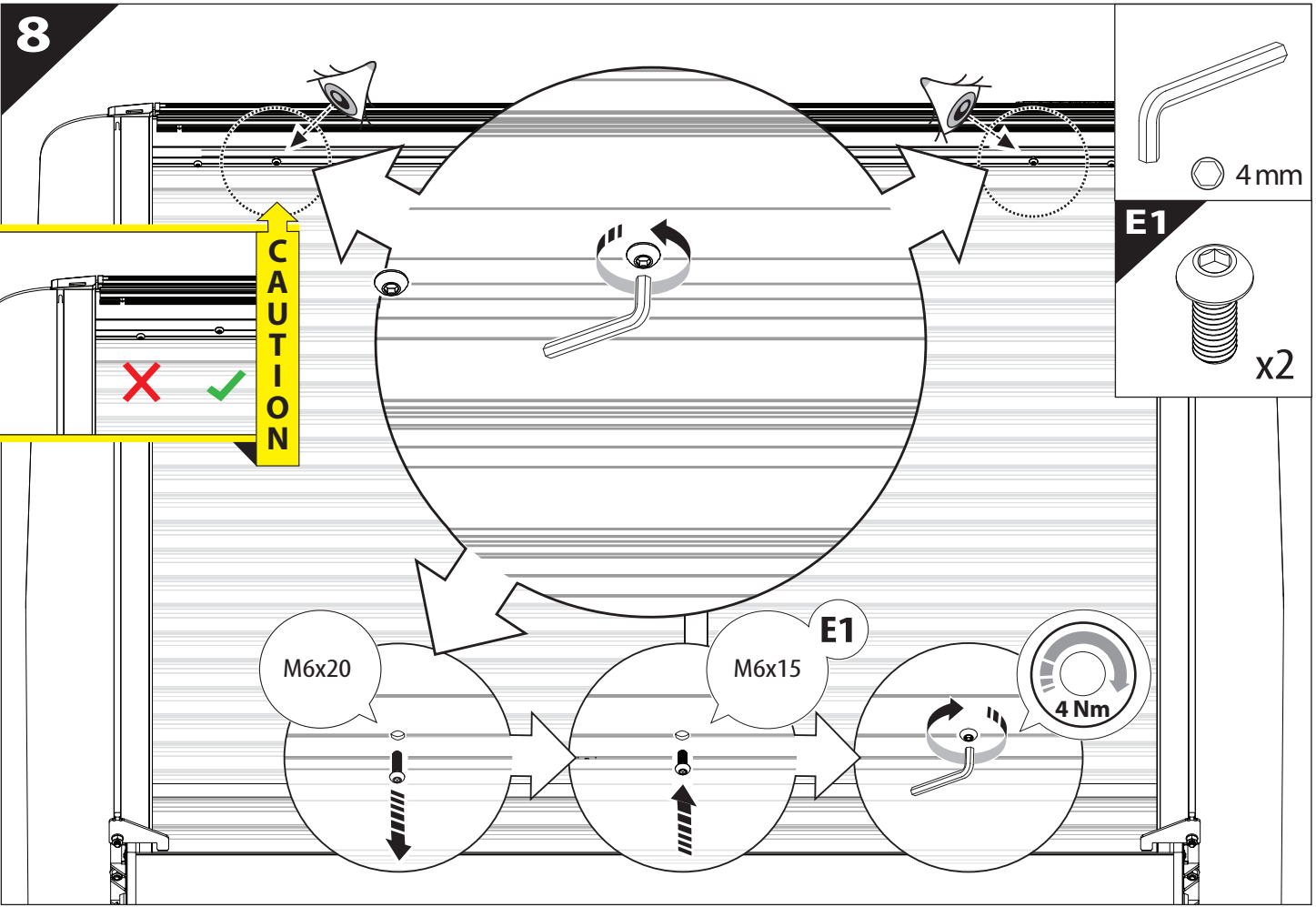
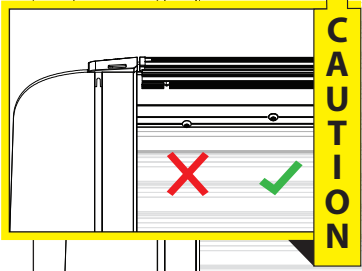
4







8



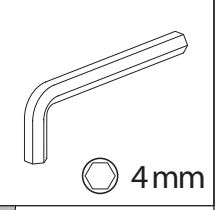
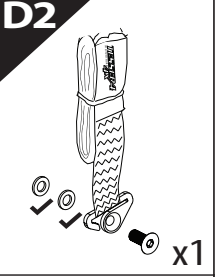
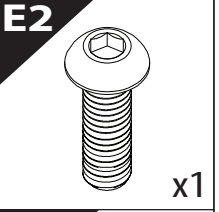
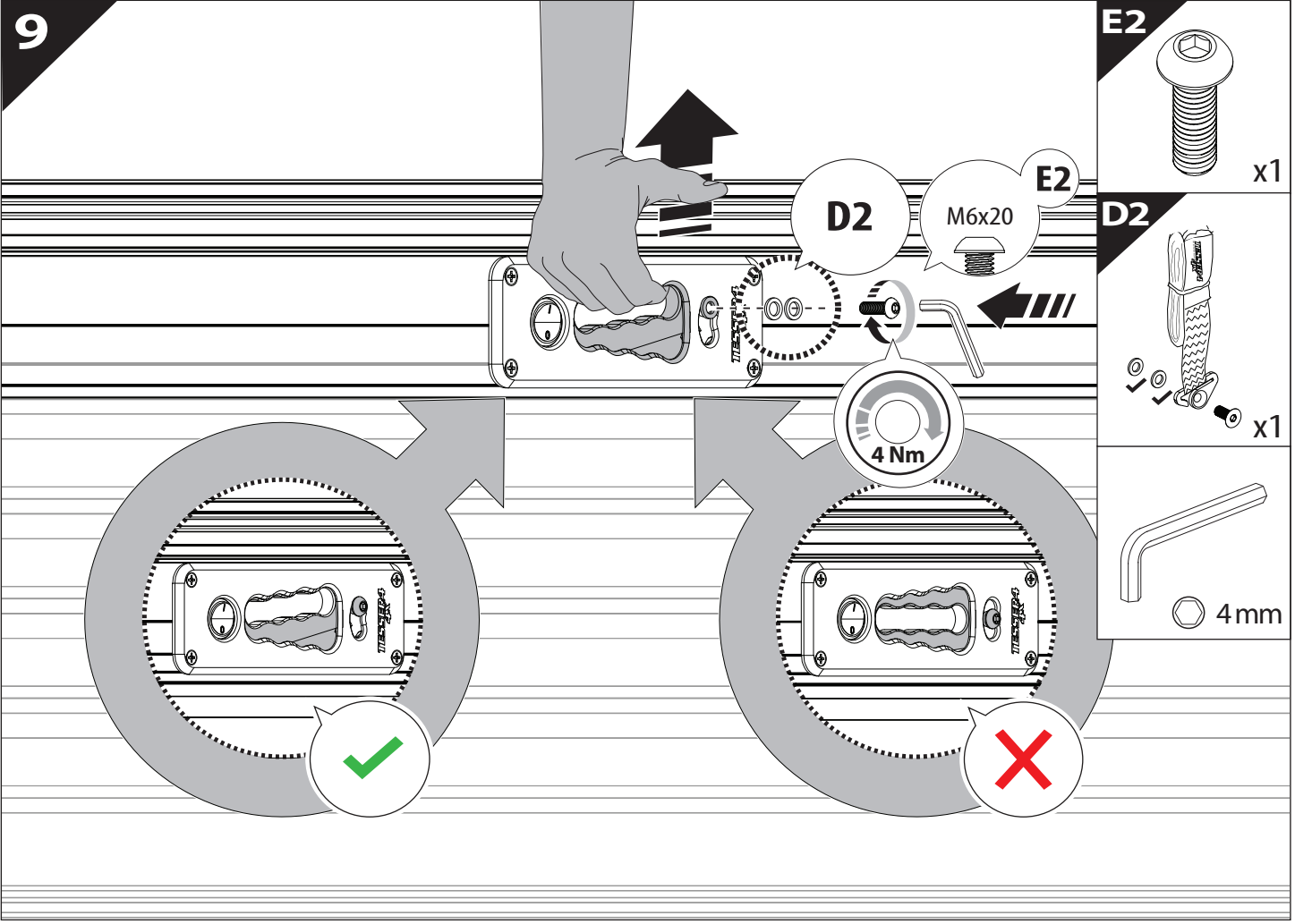
M6x20

M6x15

**E1**

4 Nm

9



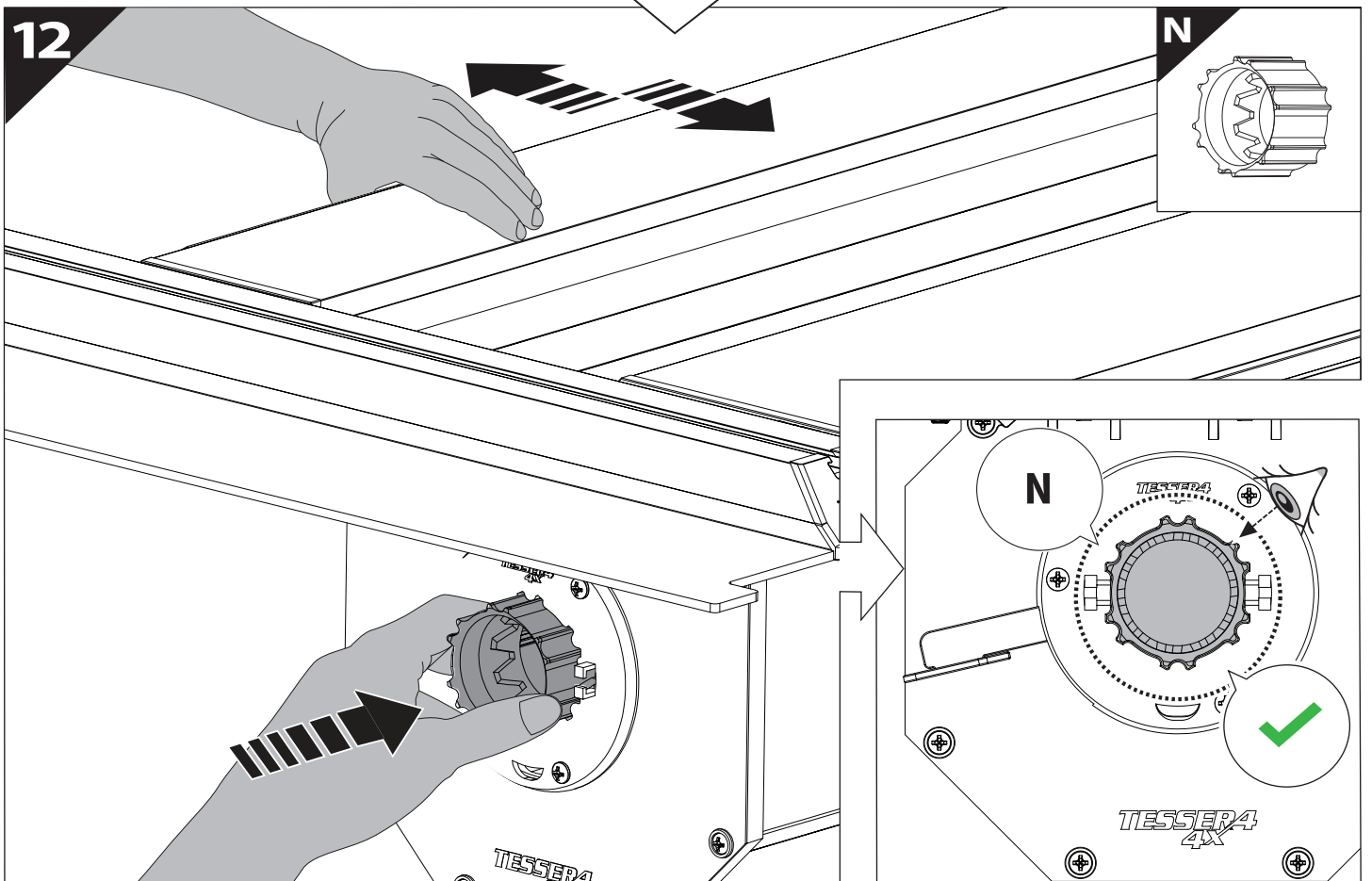
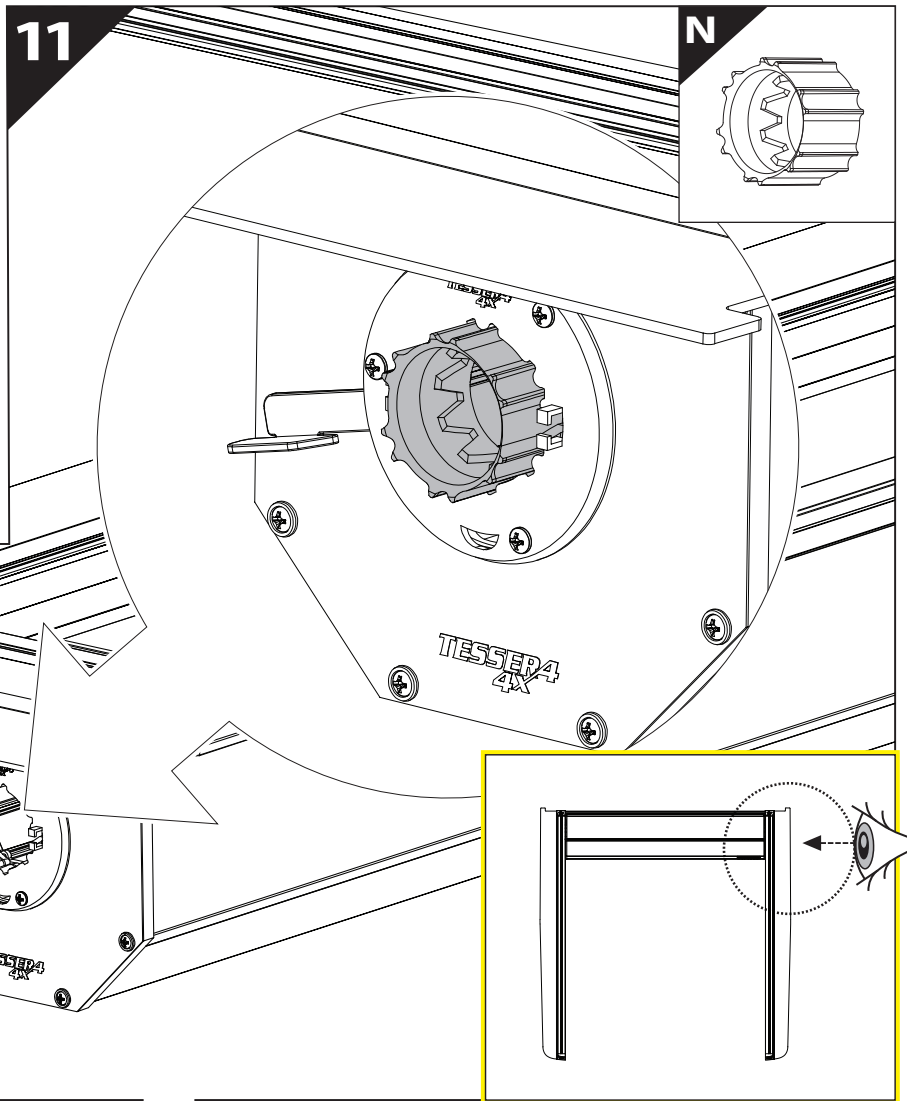
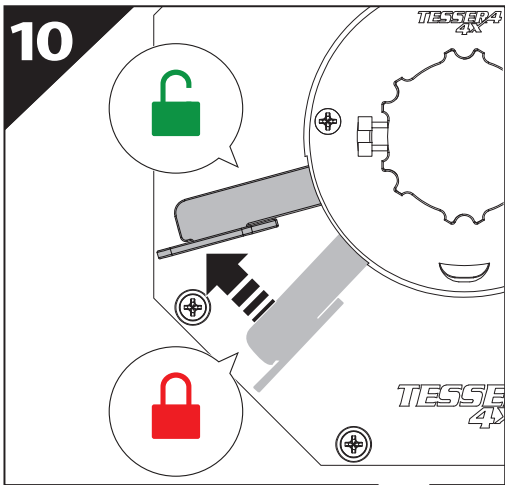
**D2**

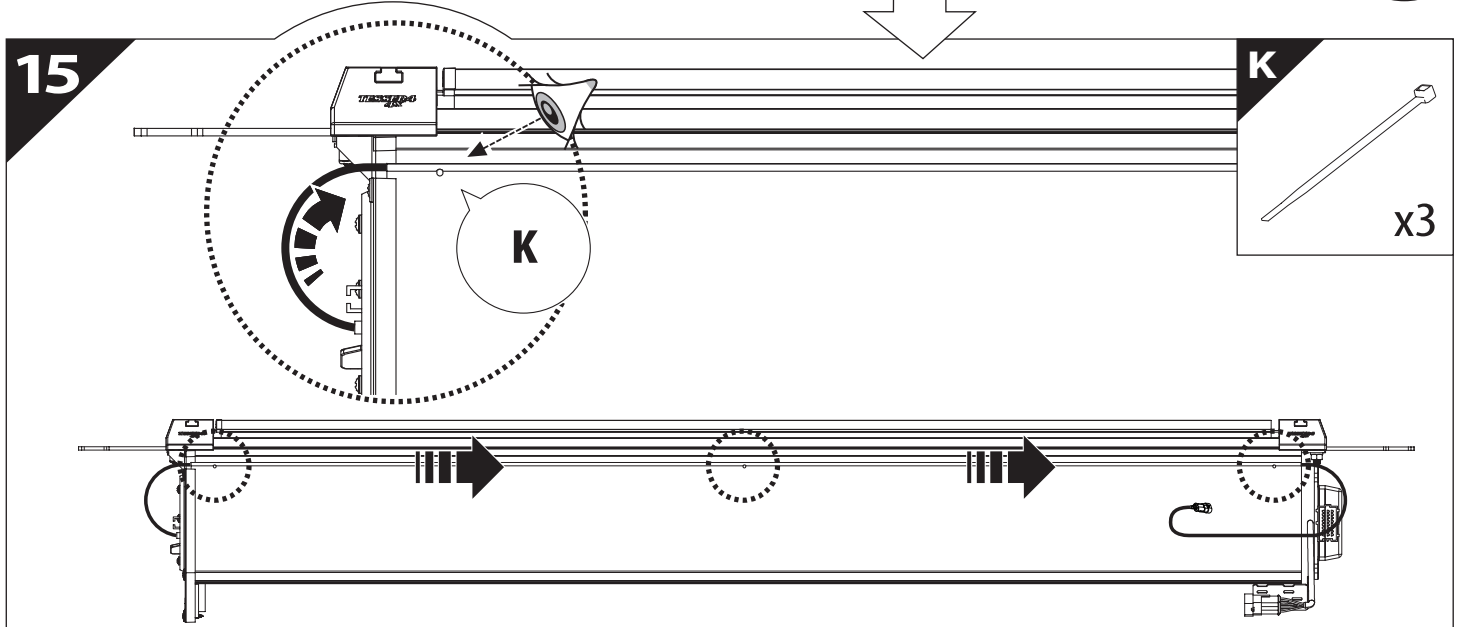
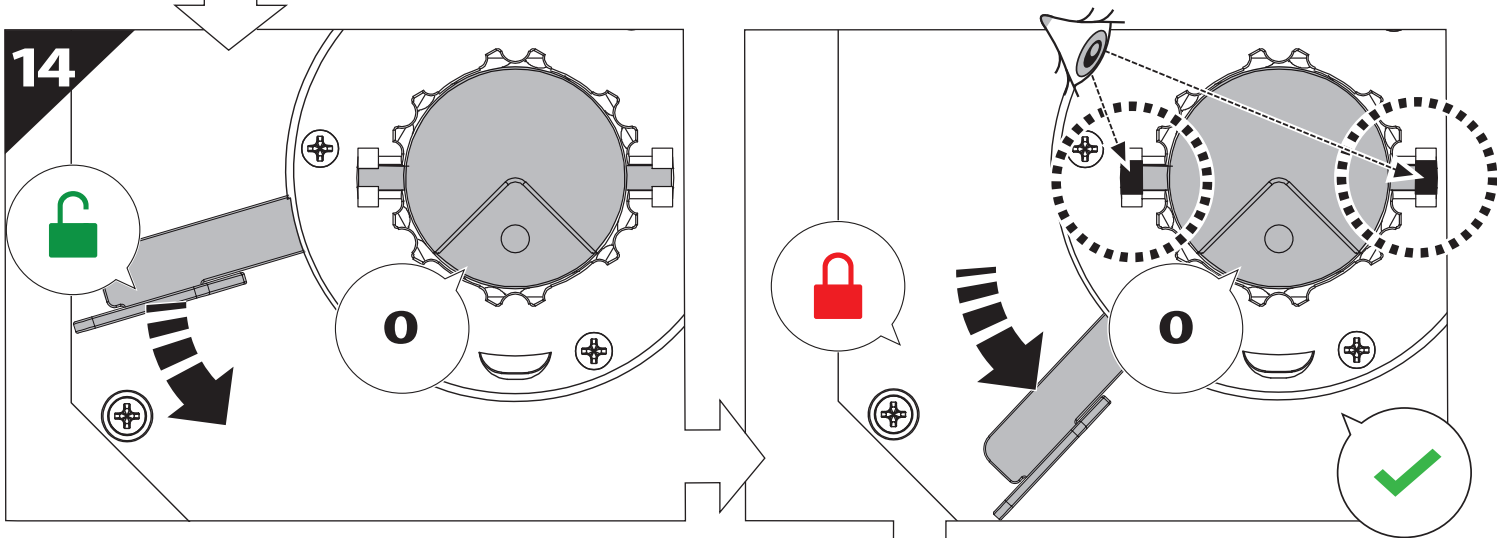
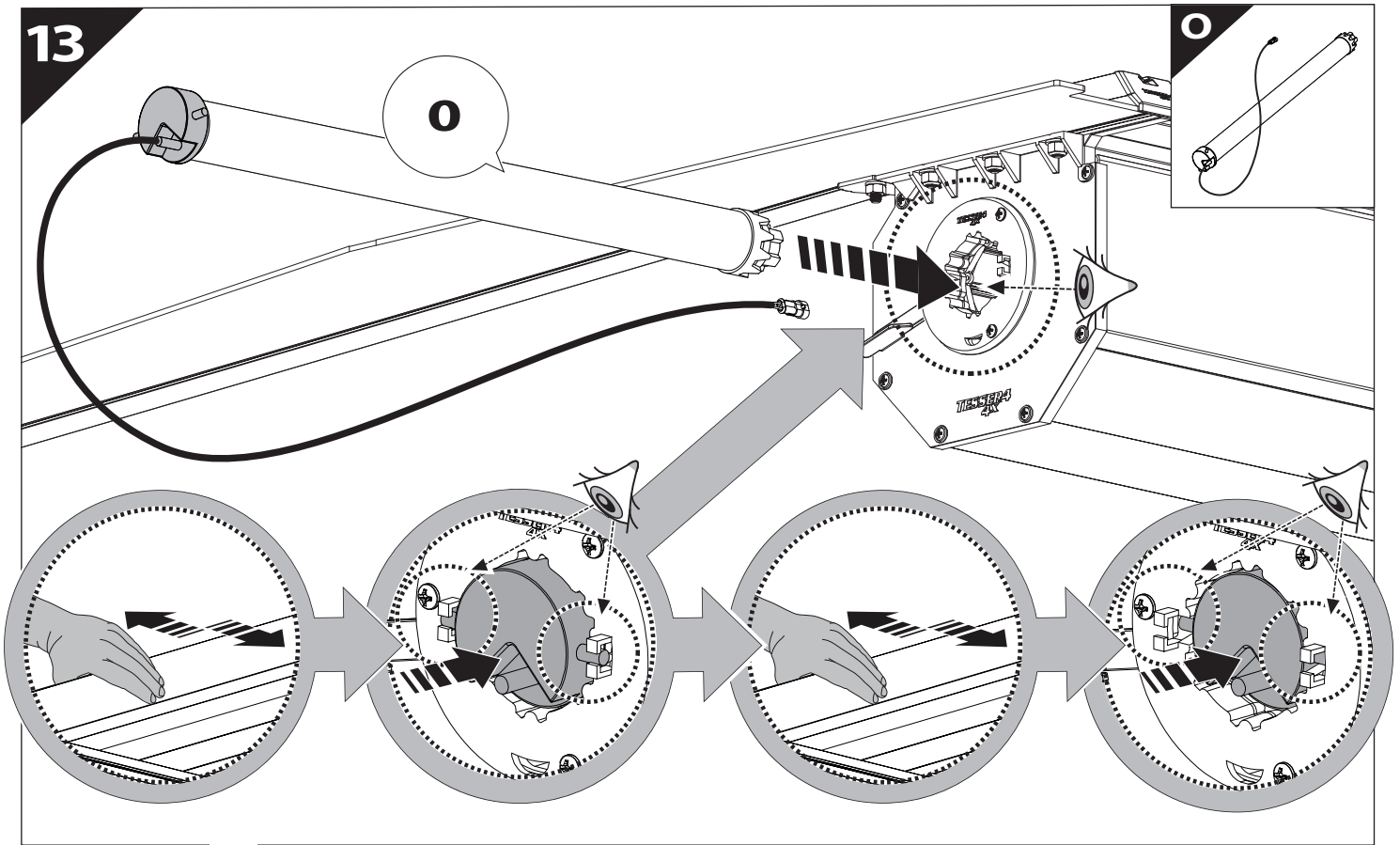
M6x20

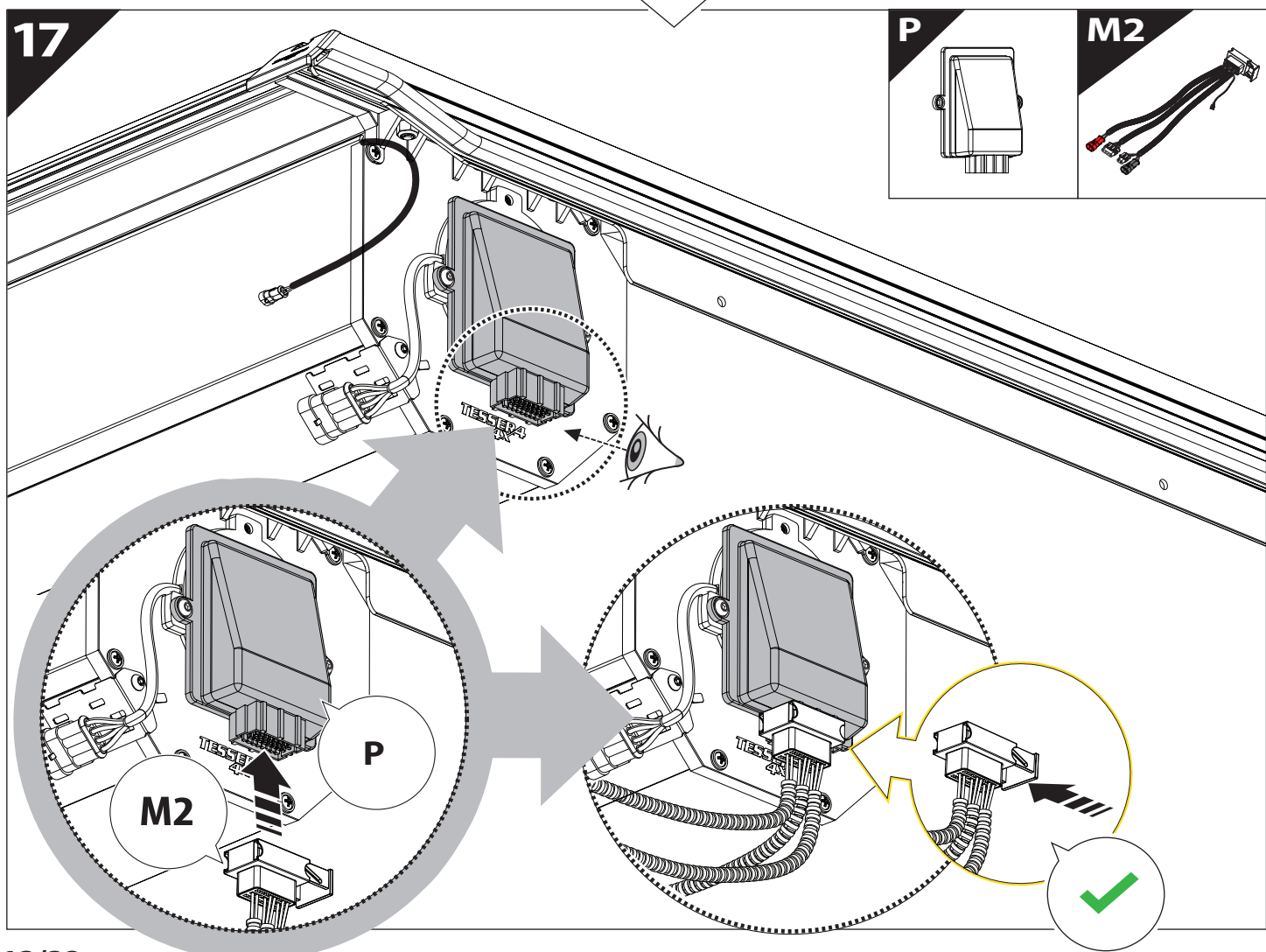
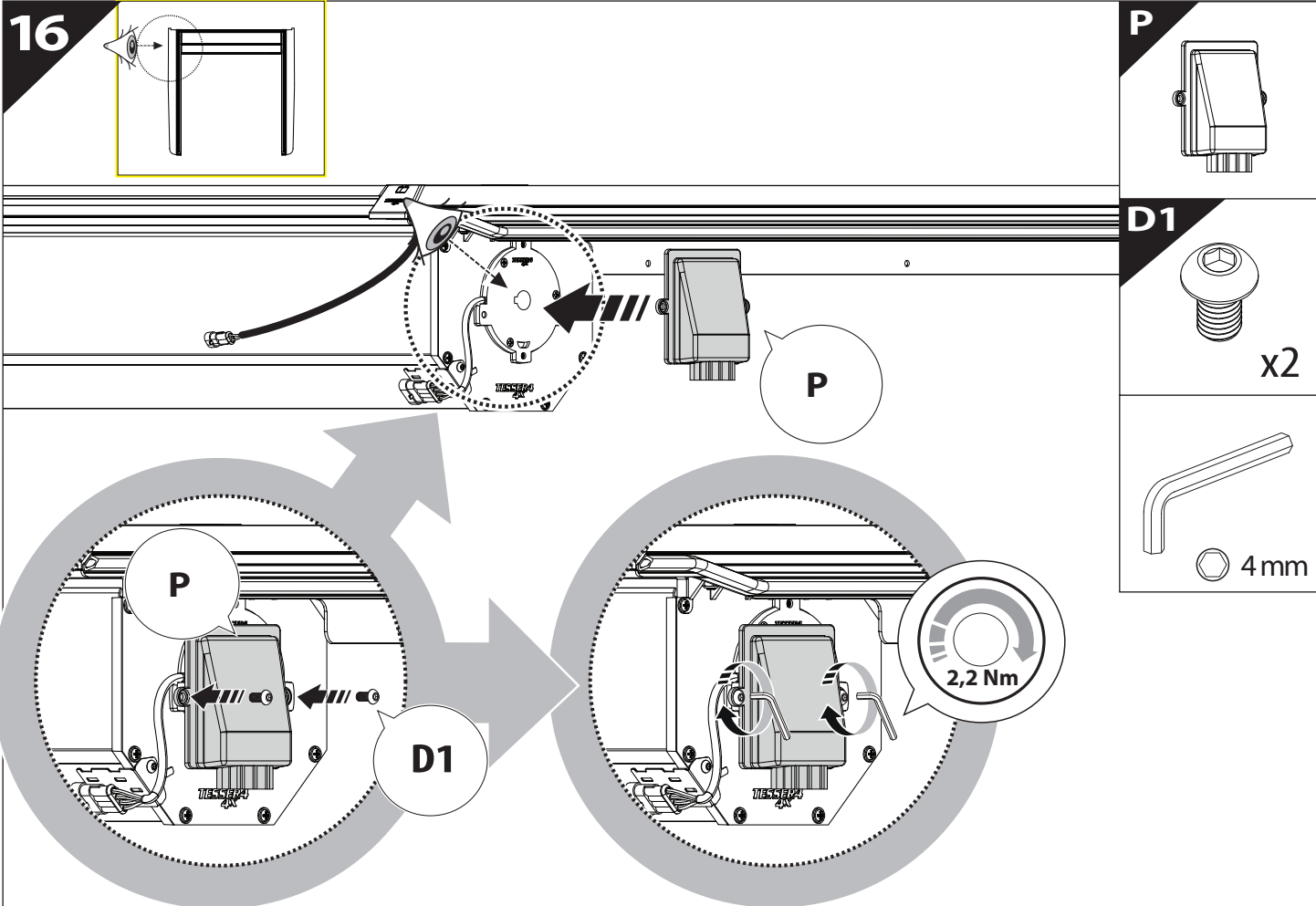
**E2**

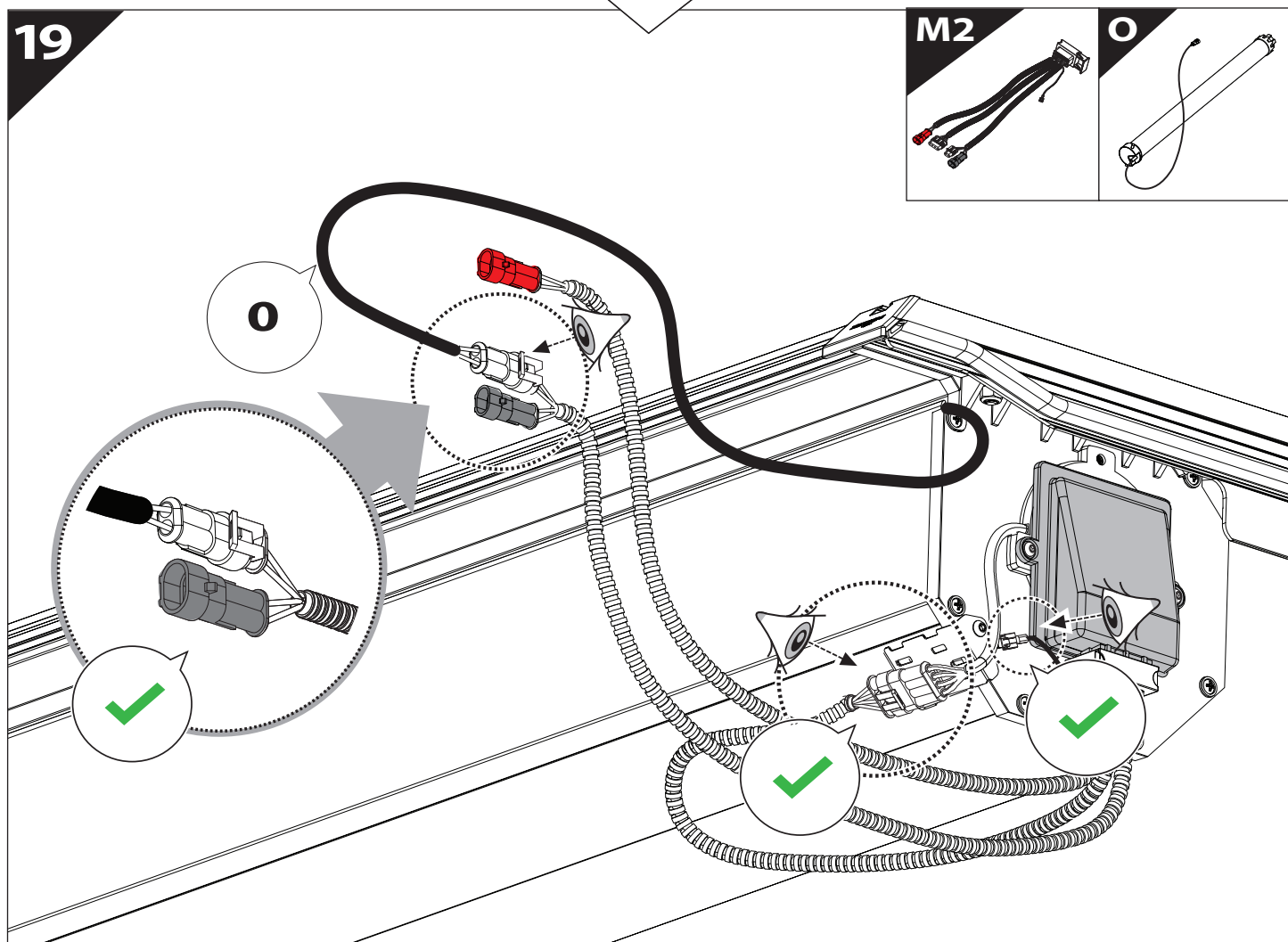
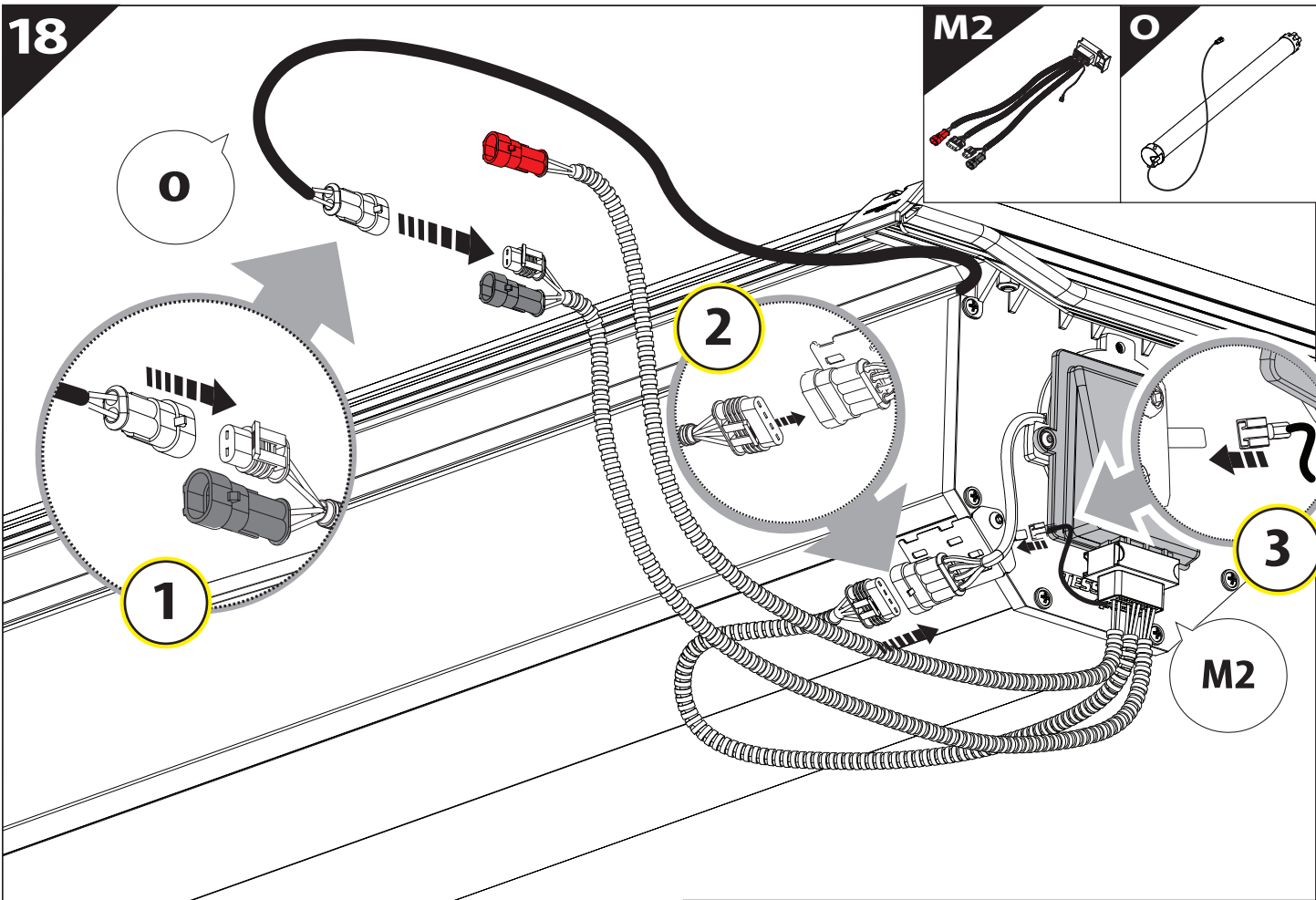
4 Nm

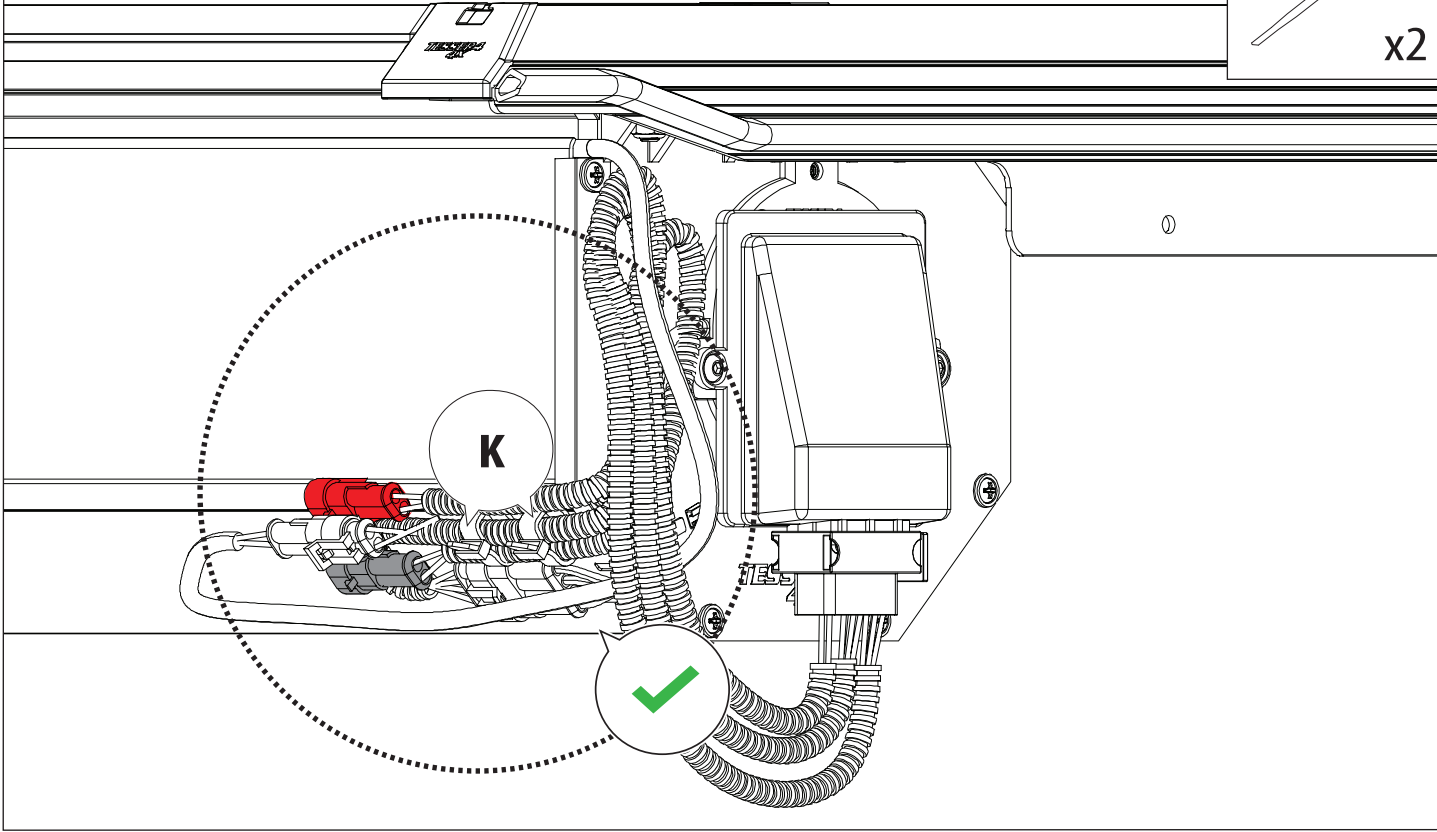
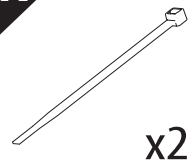




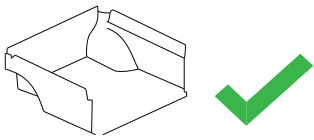




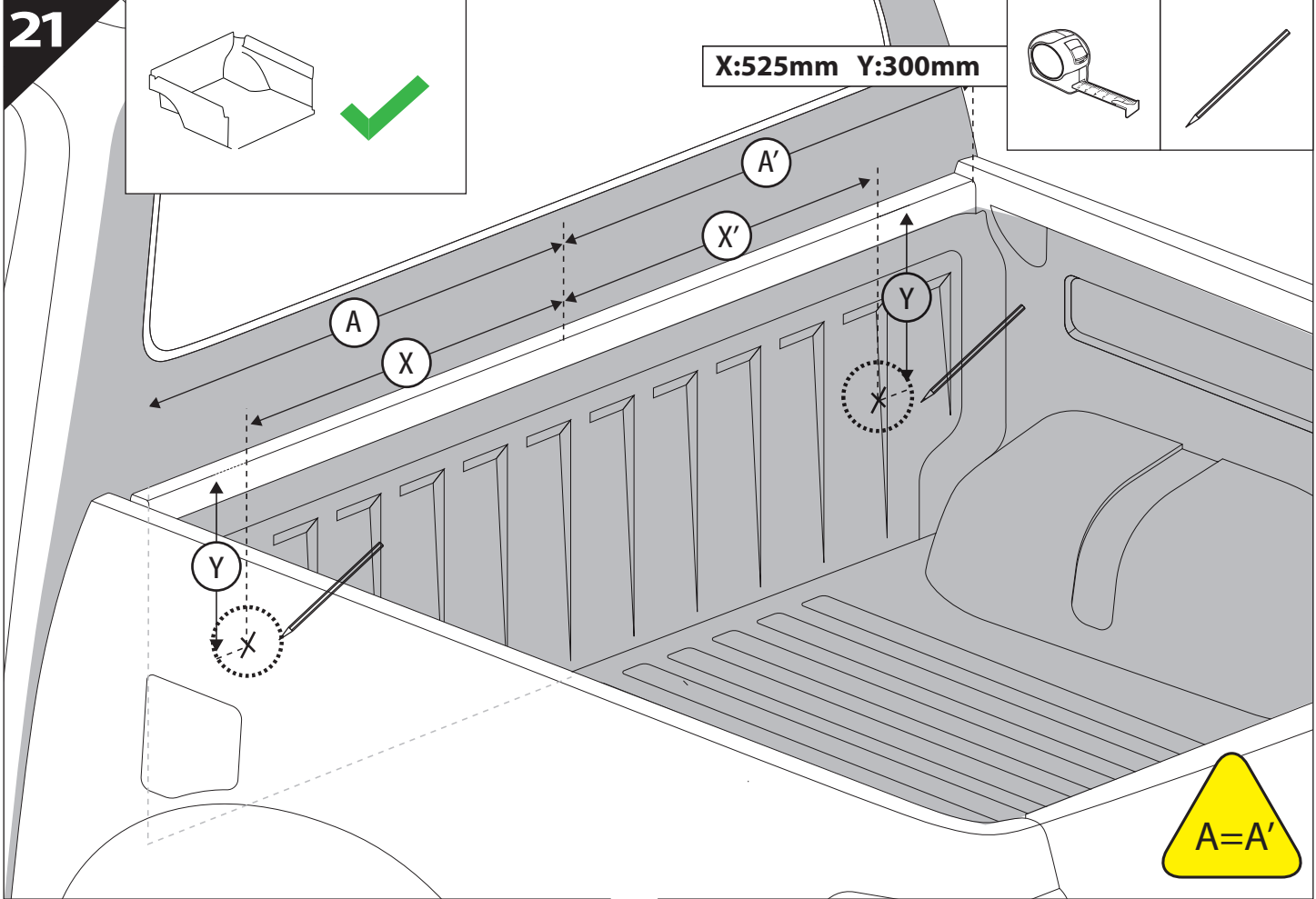
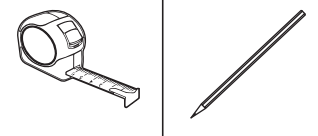




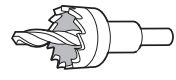
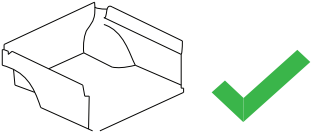
21



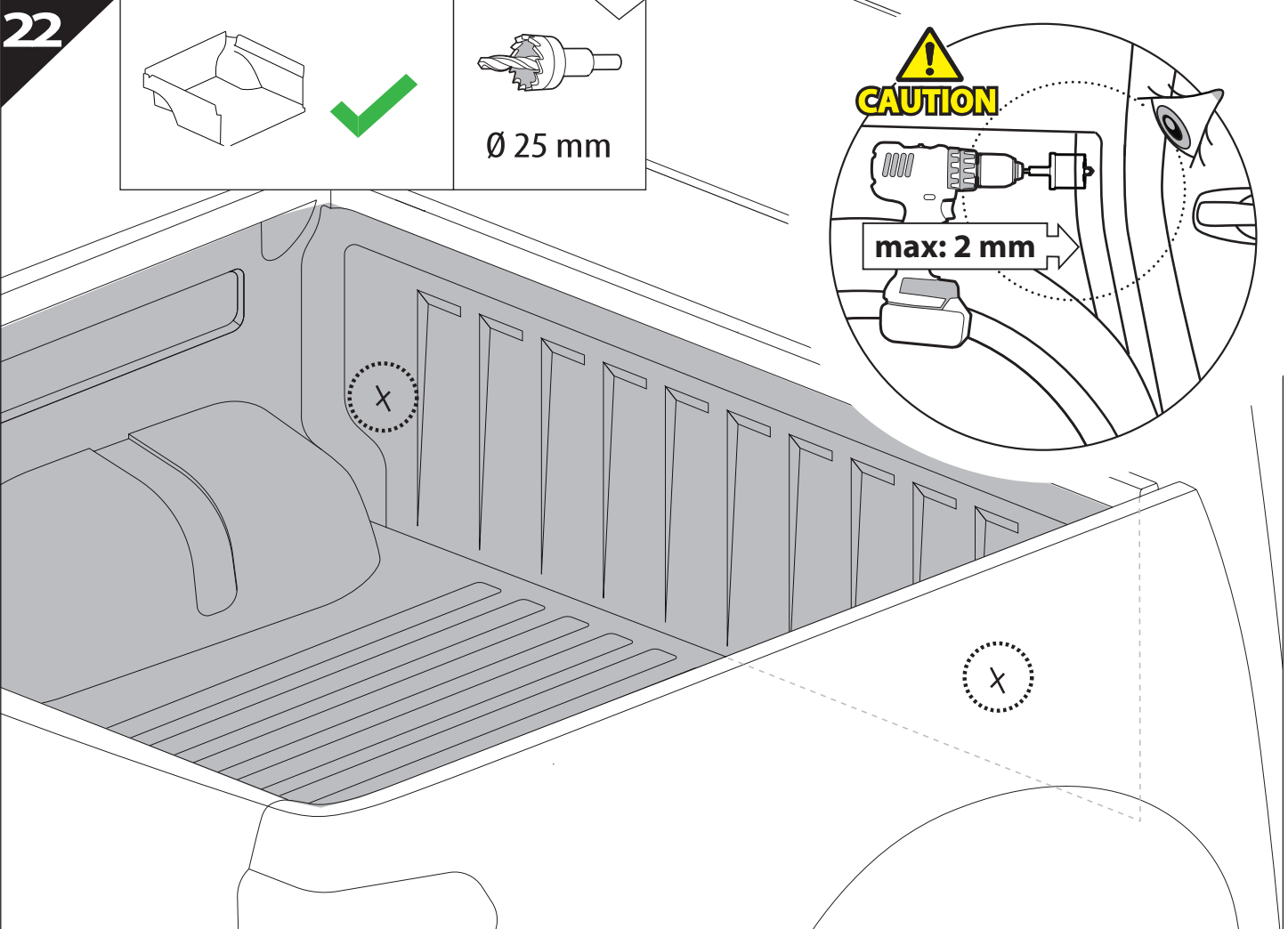
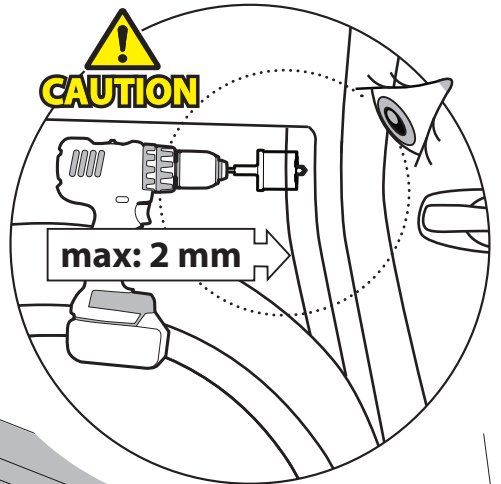
X:525mm Y:300mm

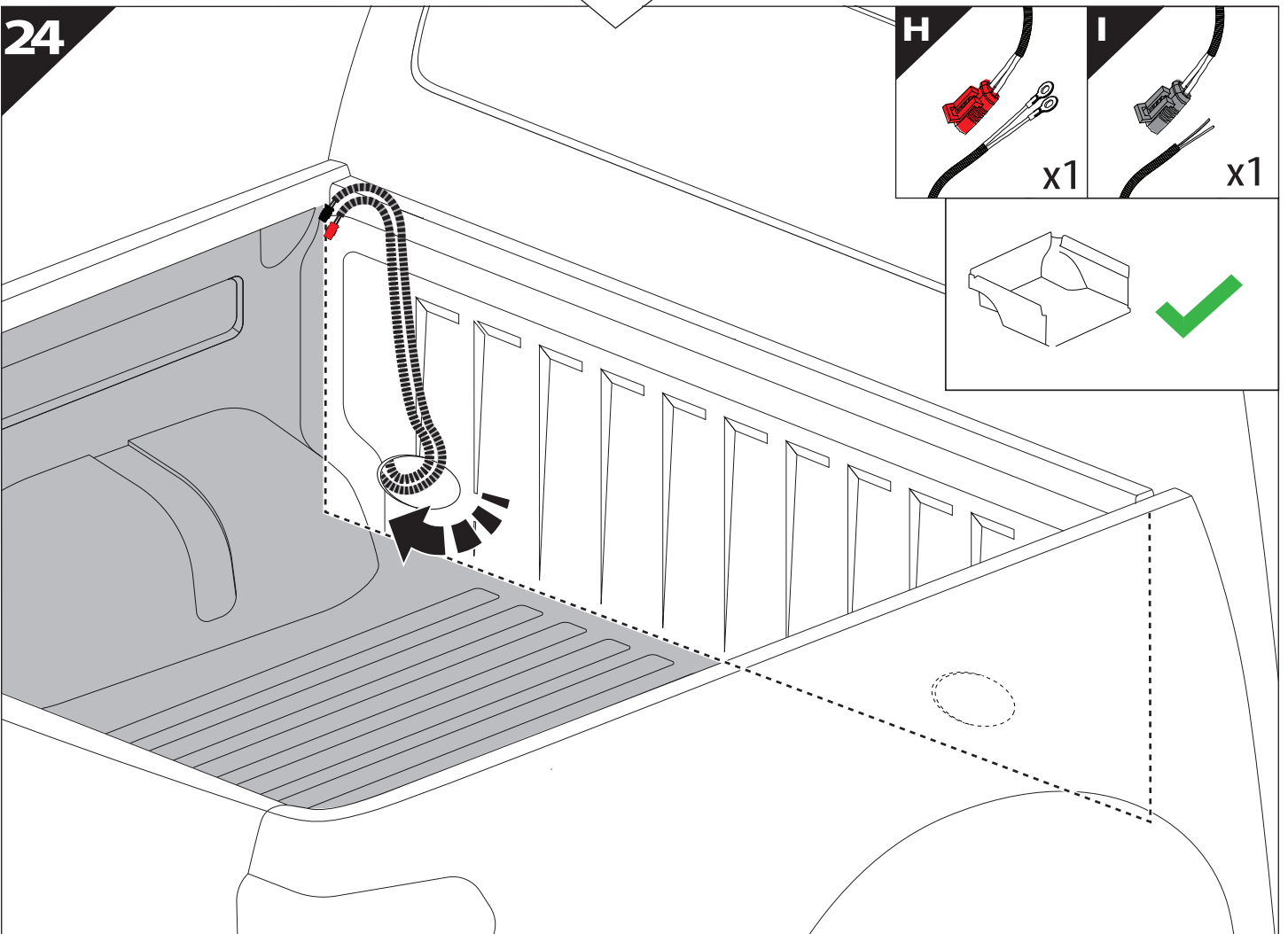
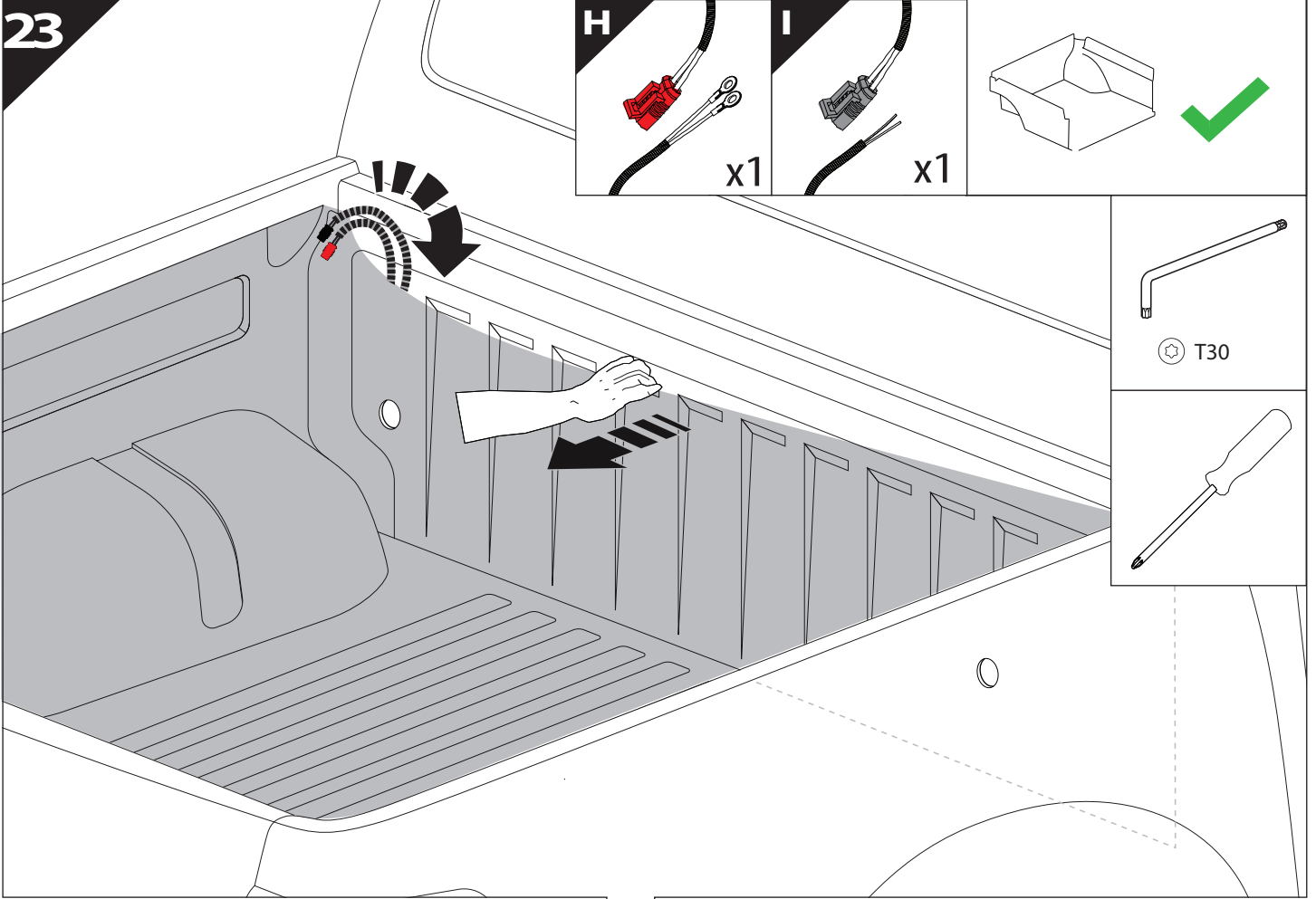


22



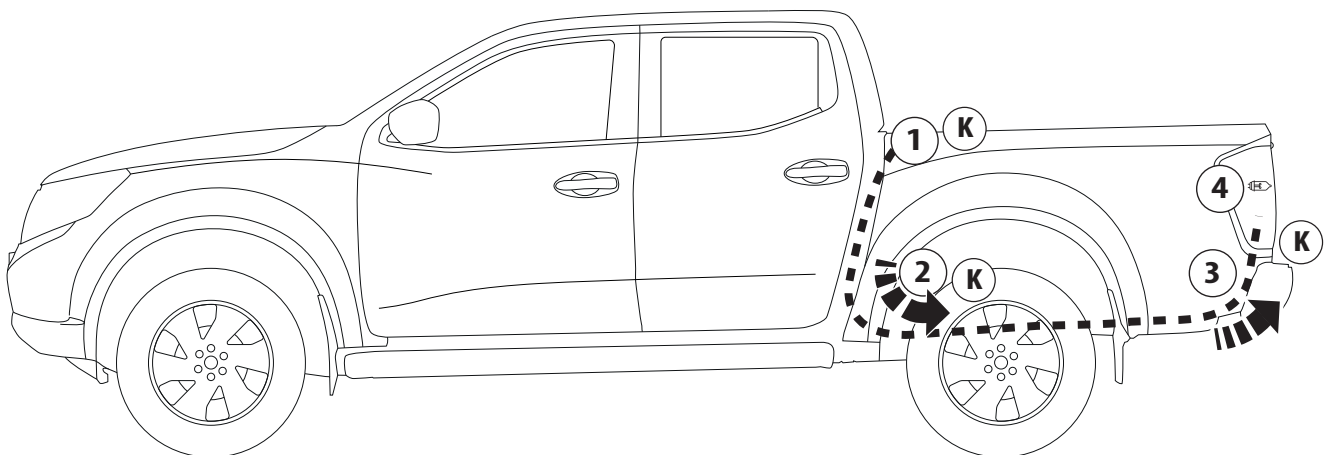
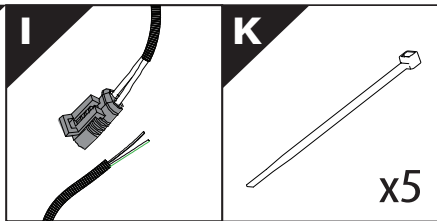
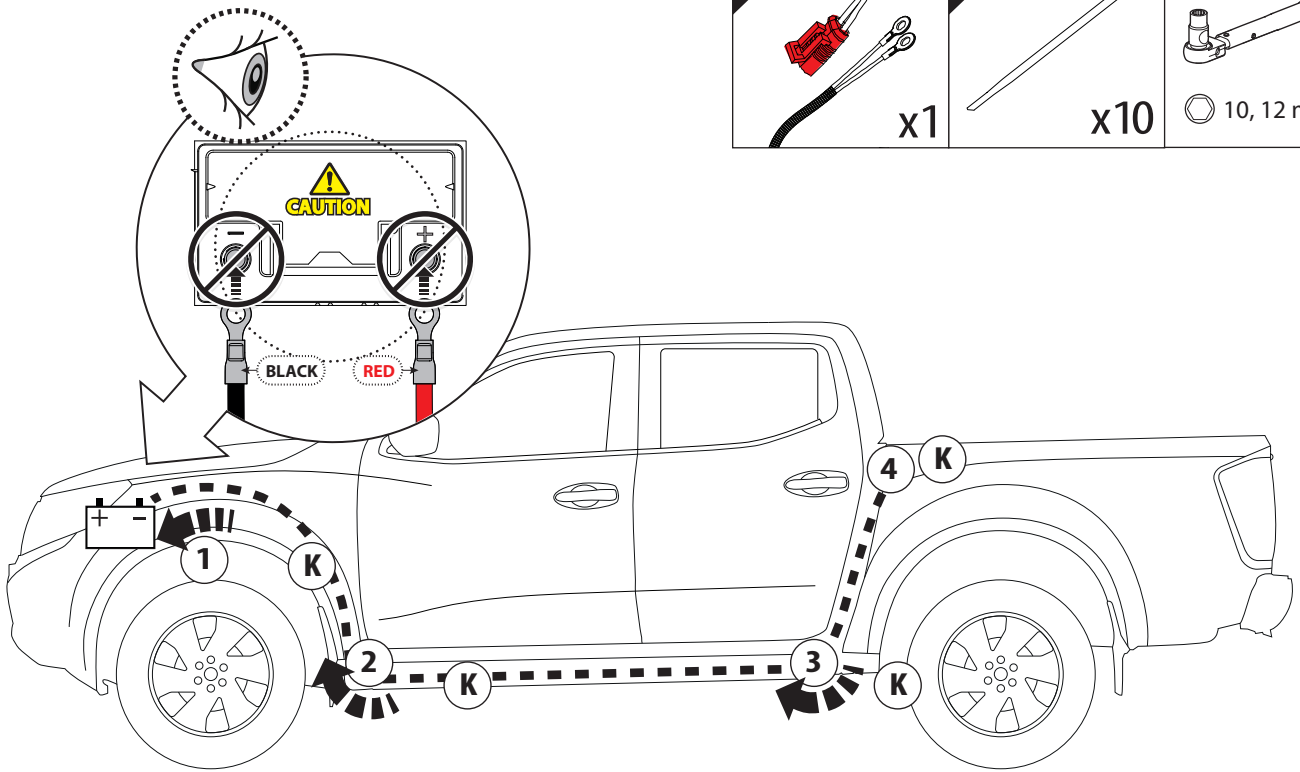
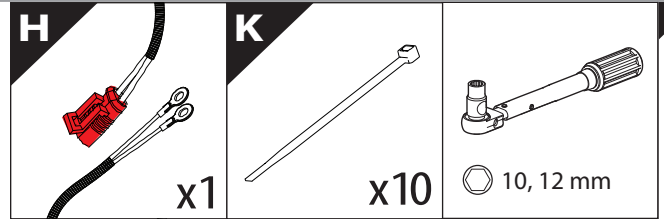
Ø 25 mm



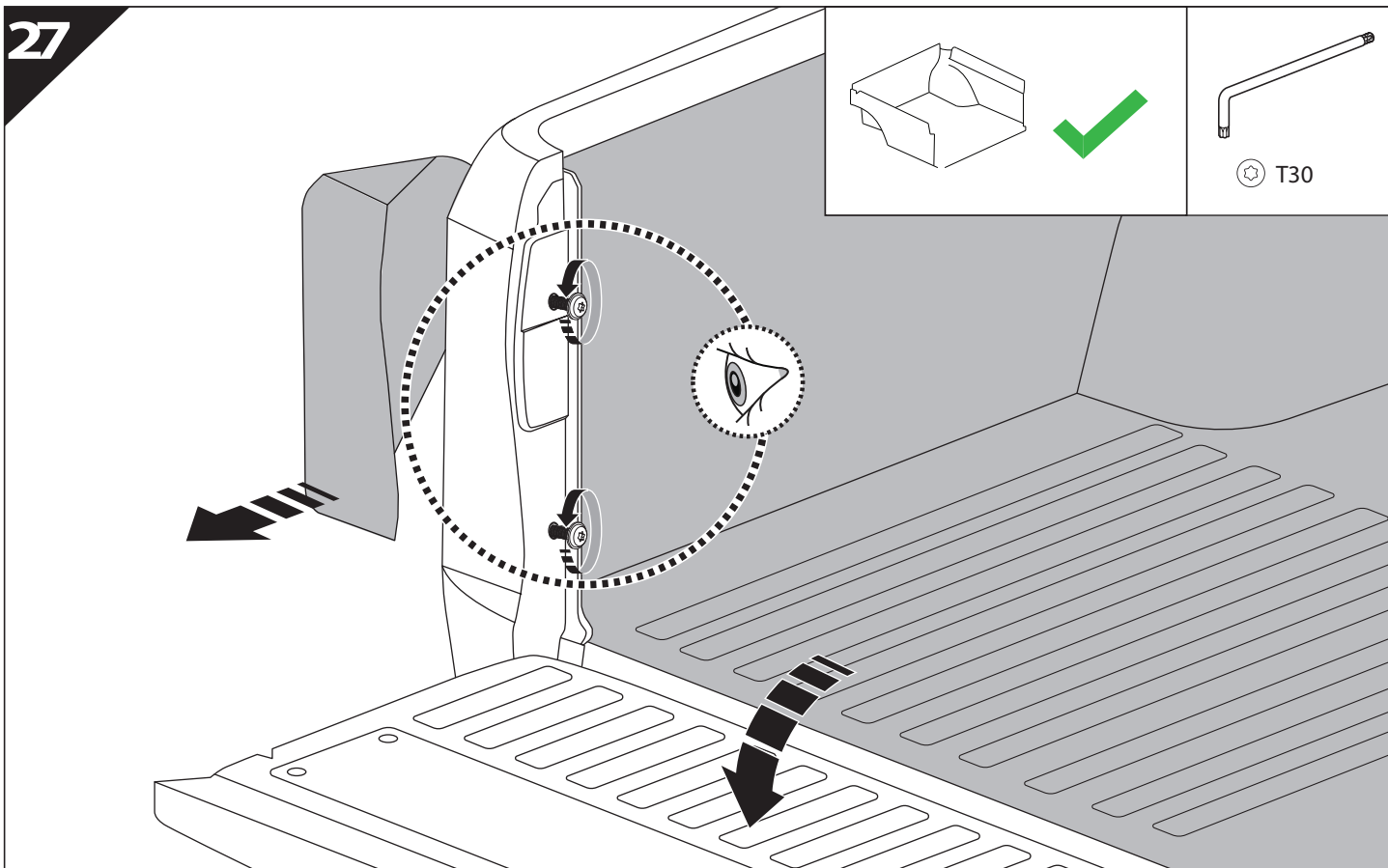




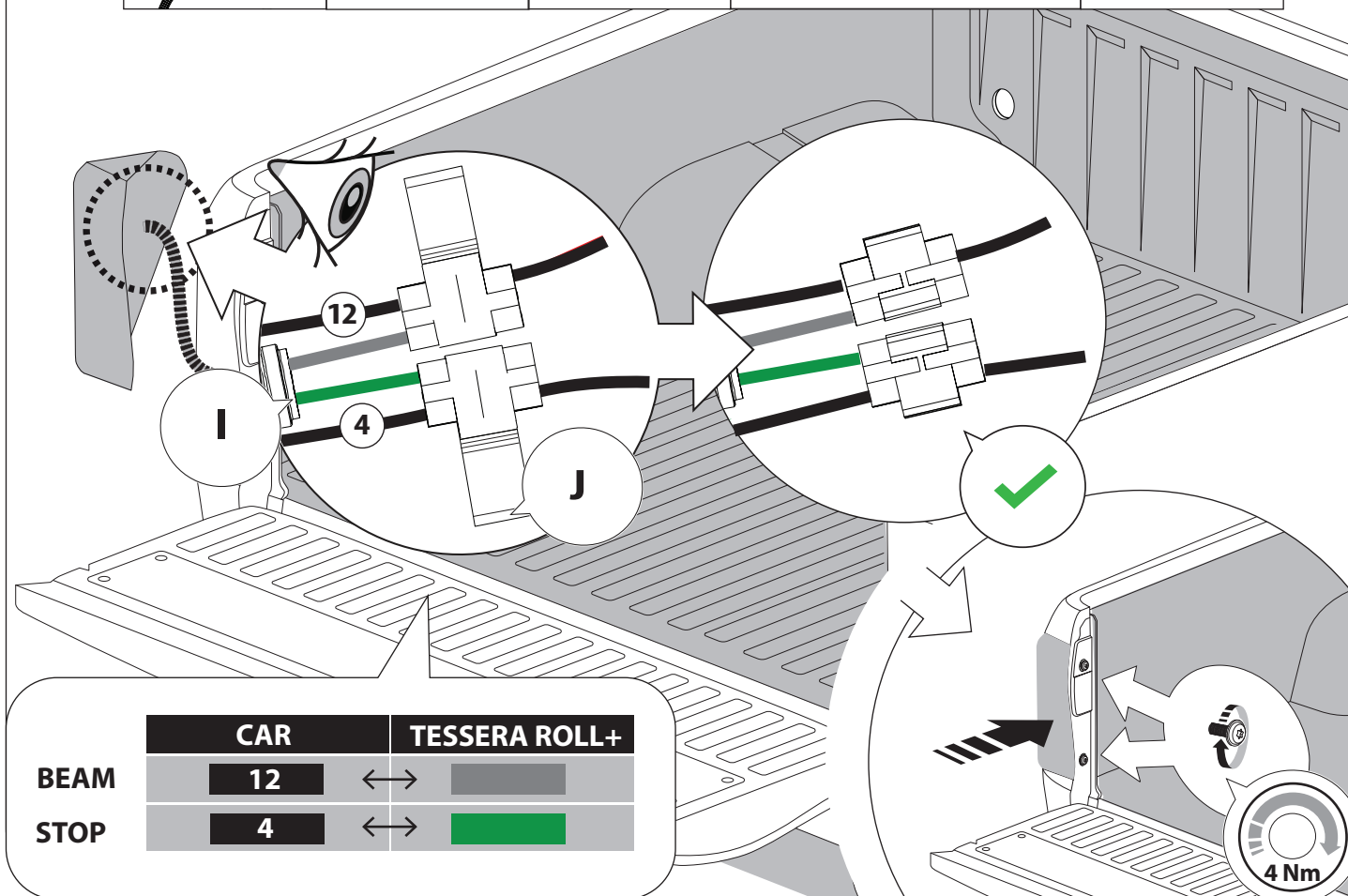
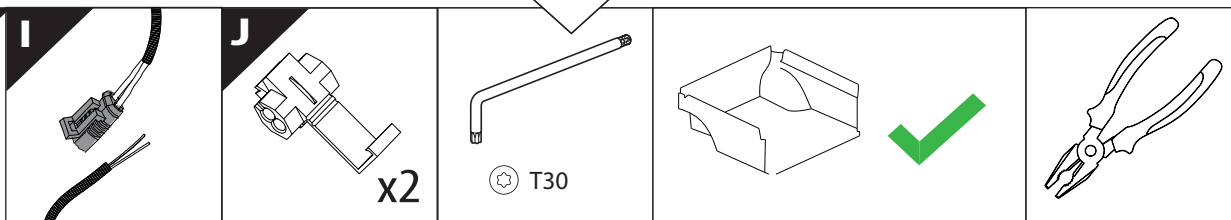
Only to be installed by authorized personnel



27

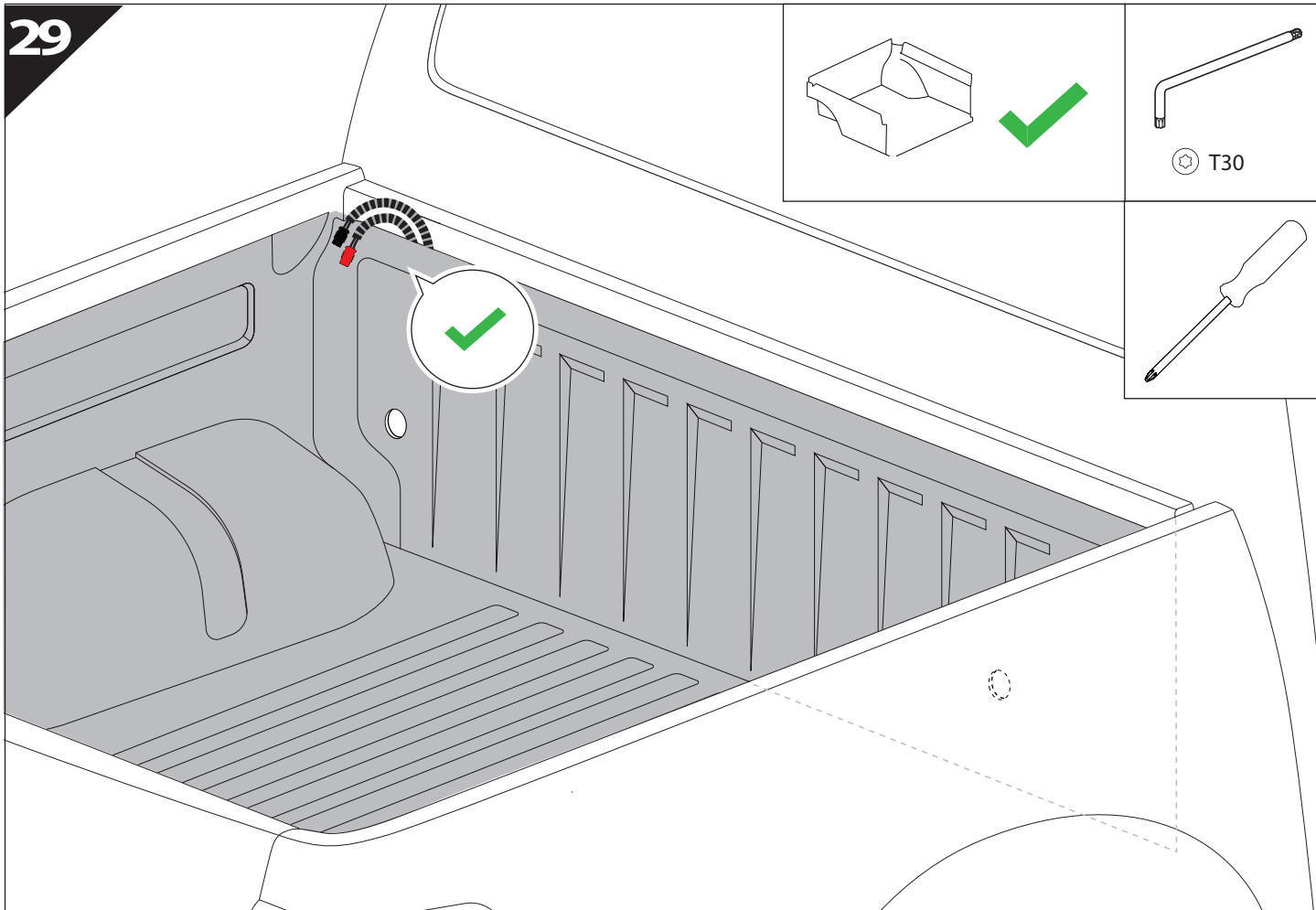


28

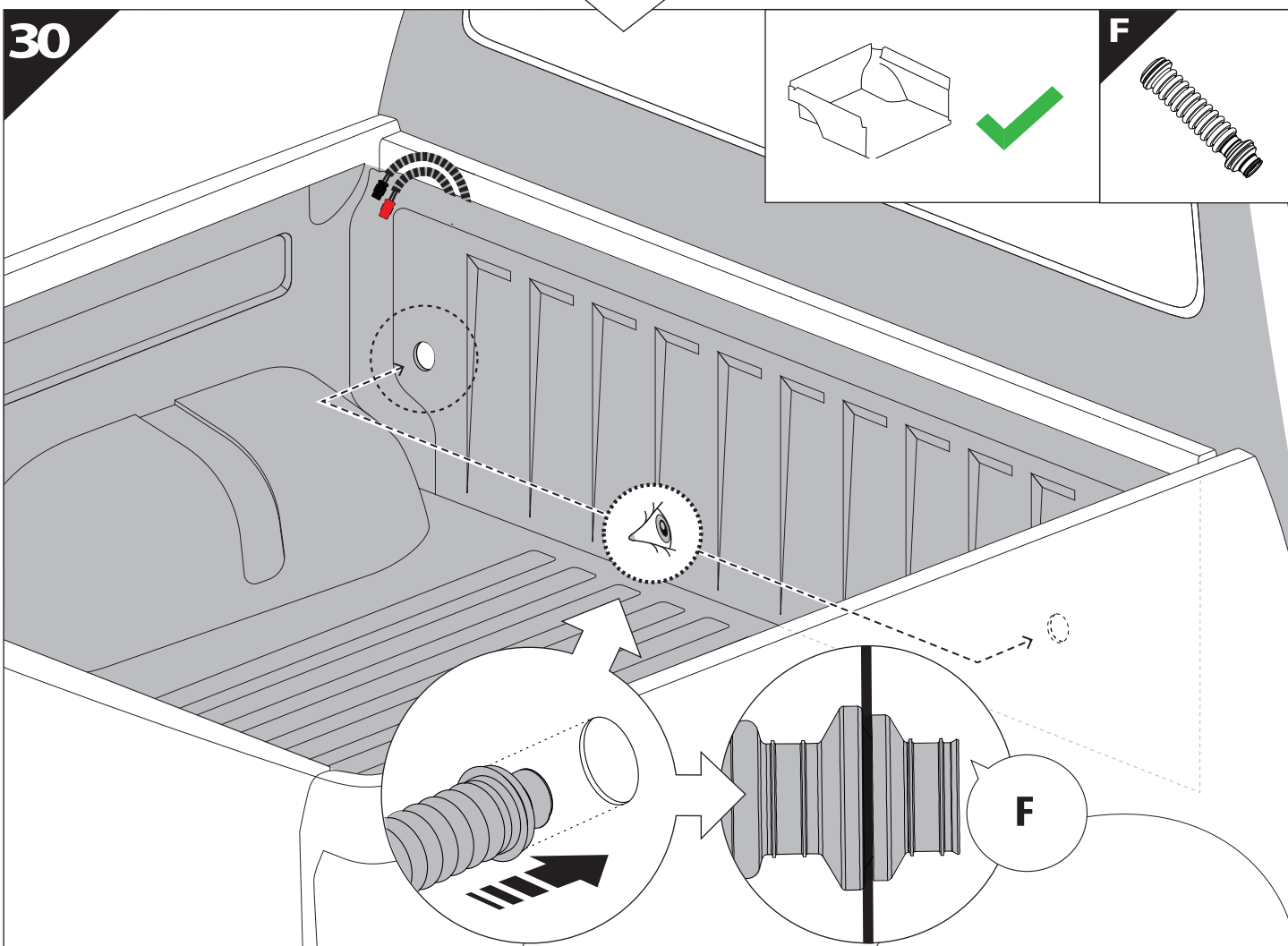


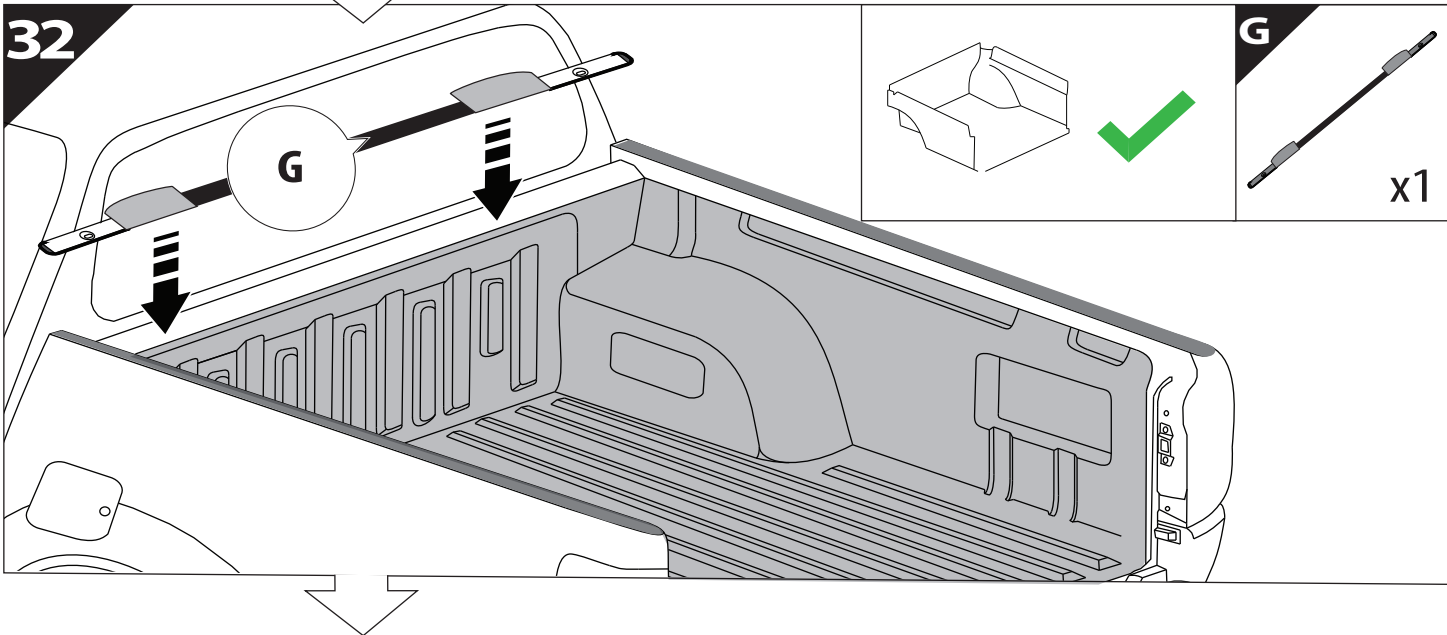
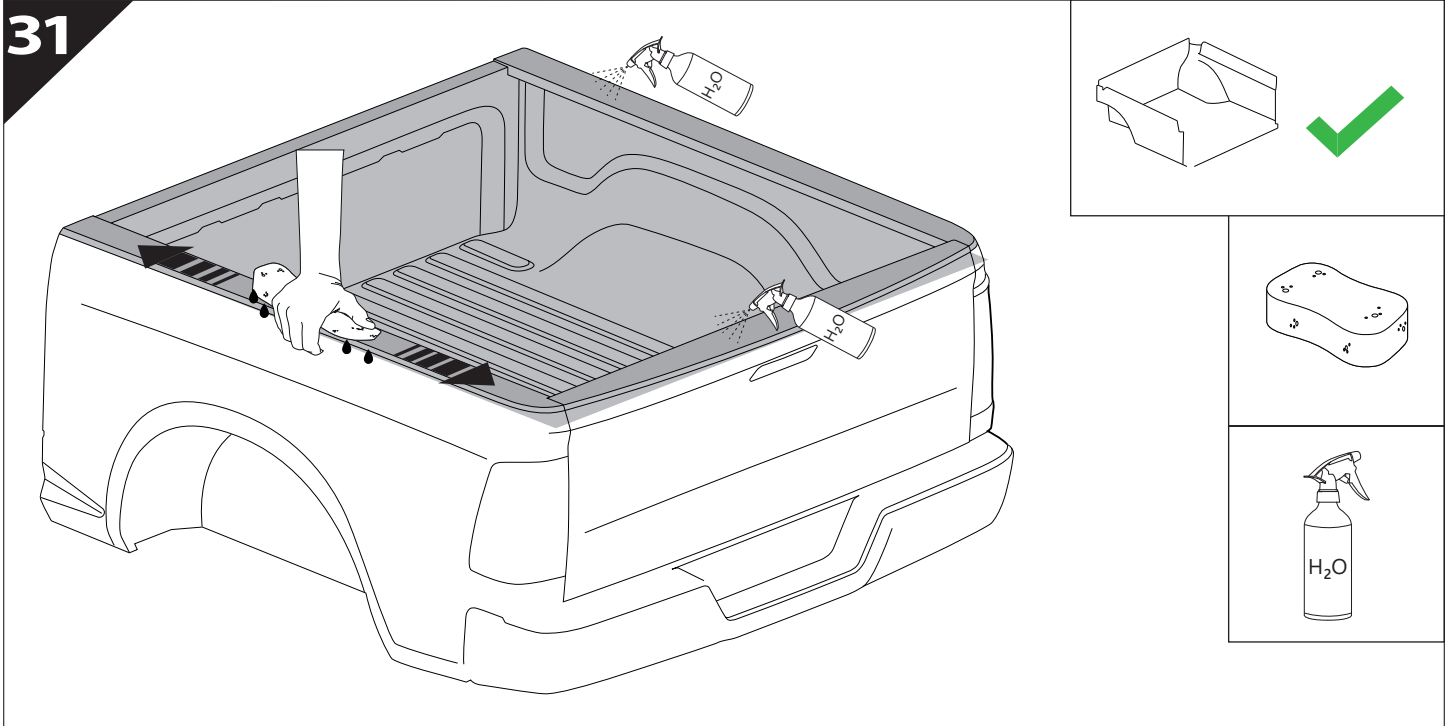
	CAR		TESSERA ROLL+
BEAM	12	↔	
STOP	4	↔	

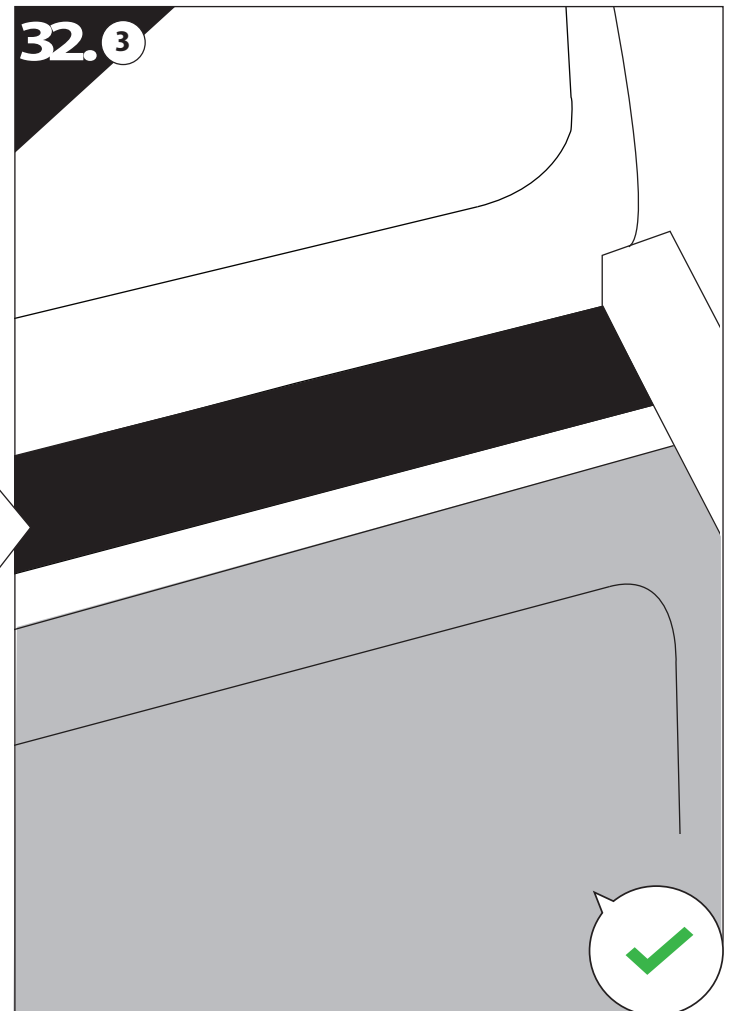
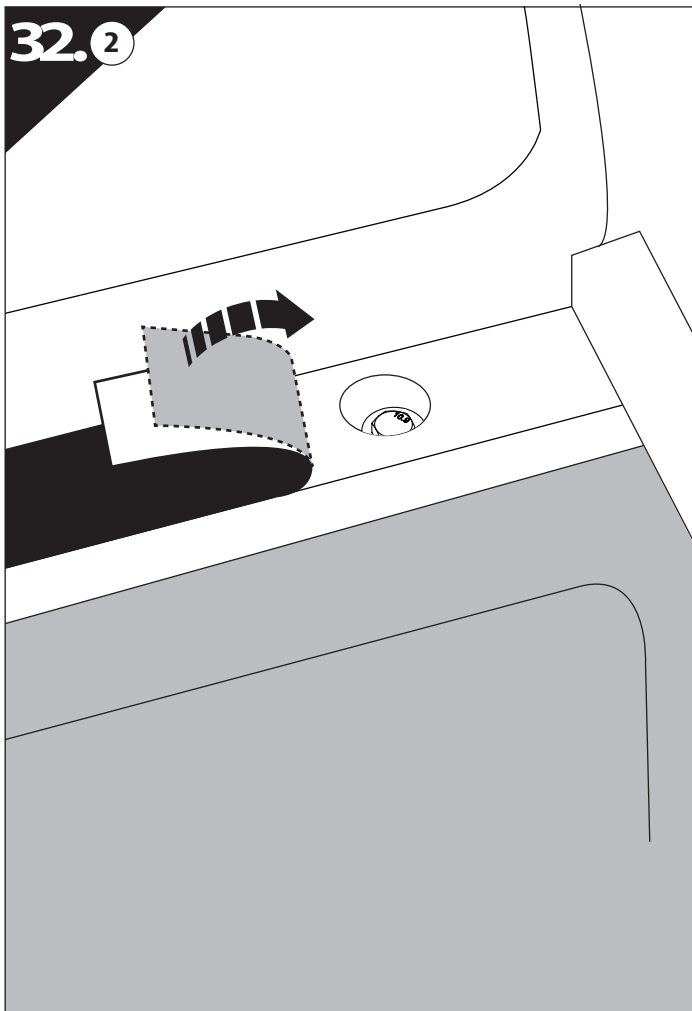
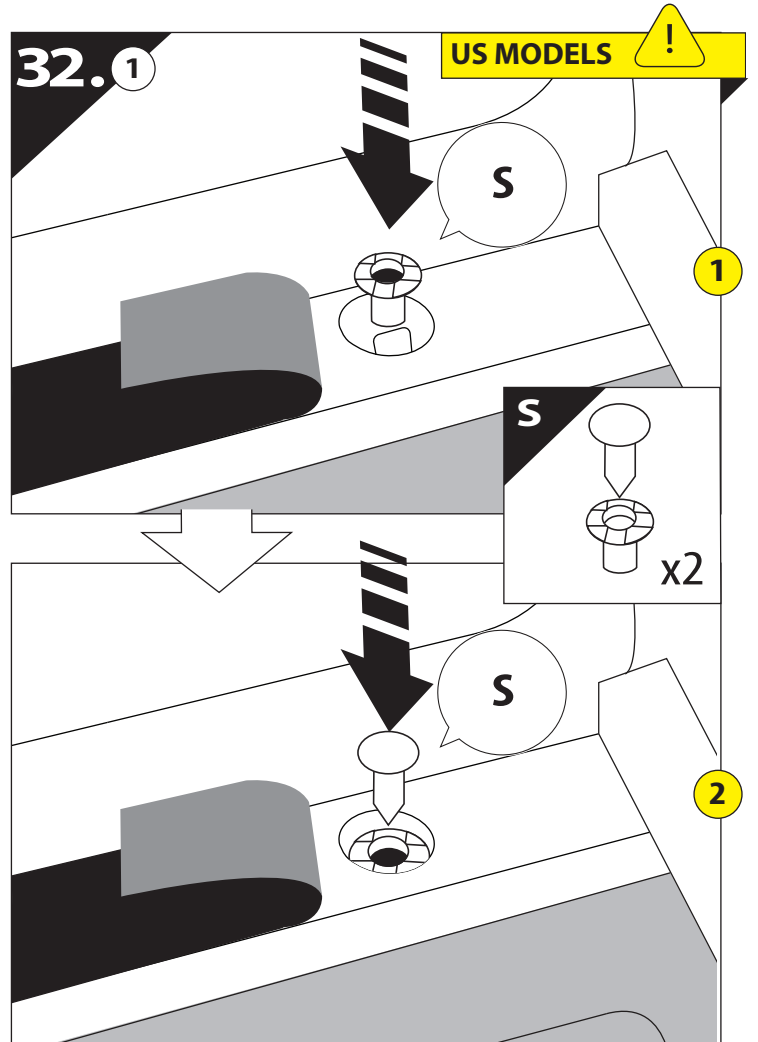
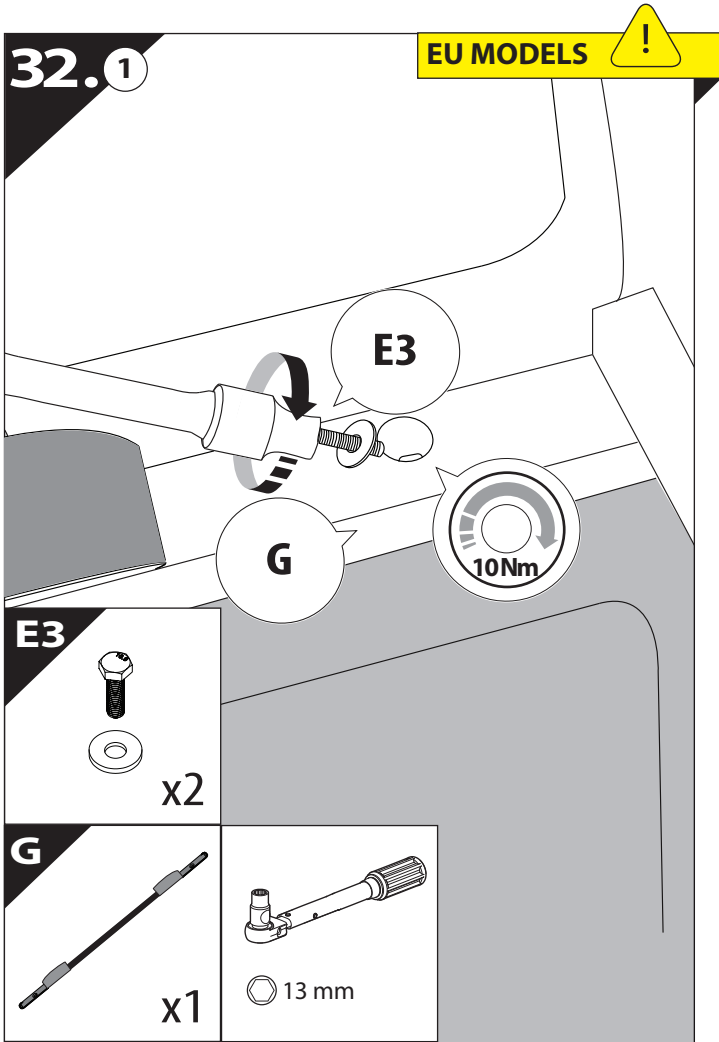
29

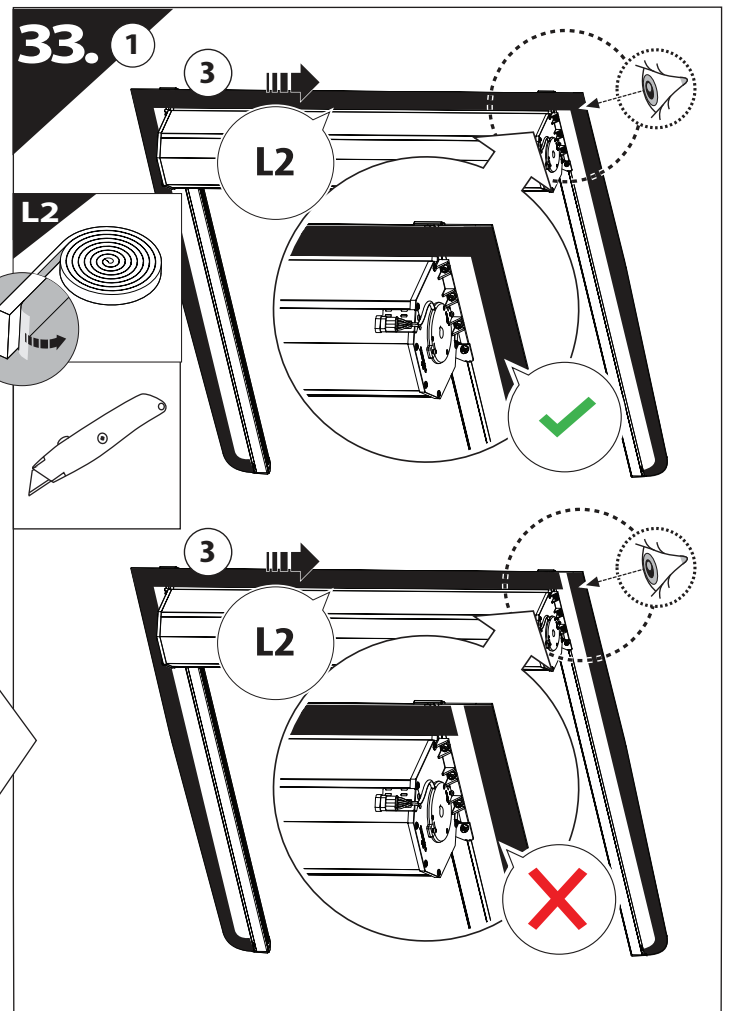
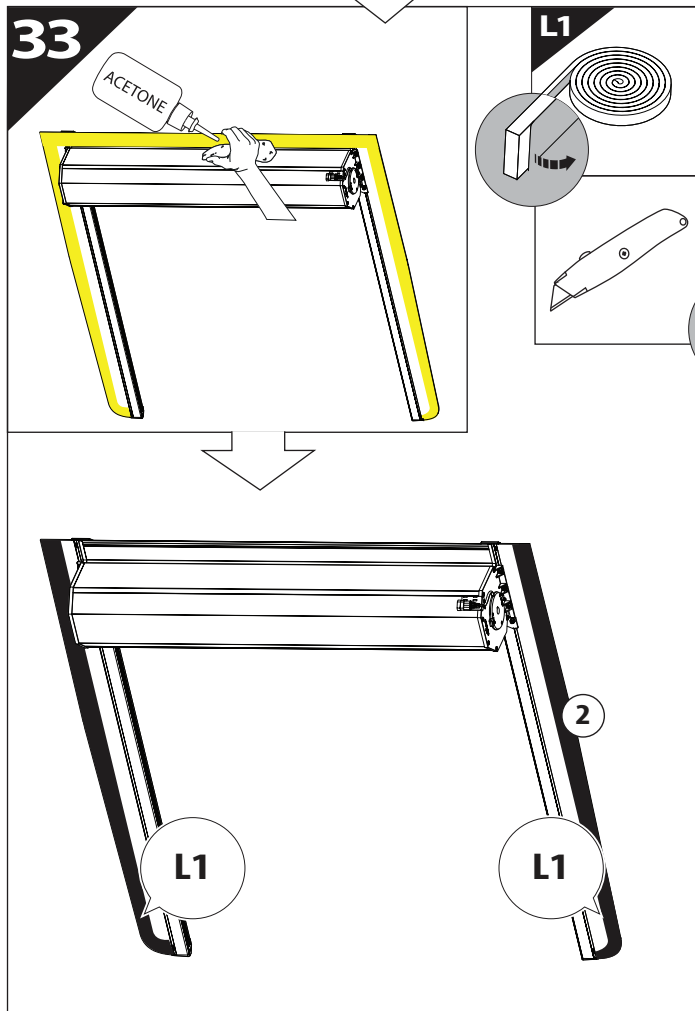
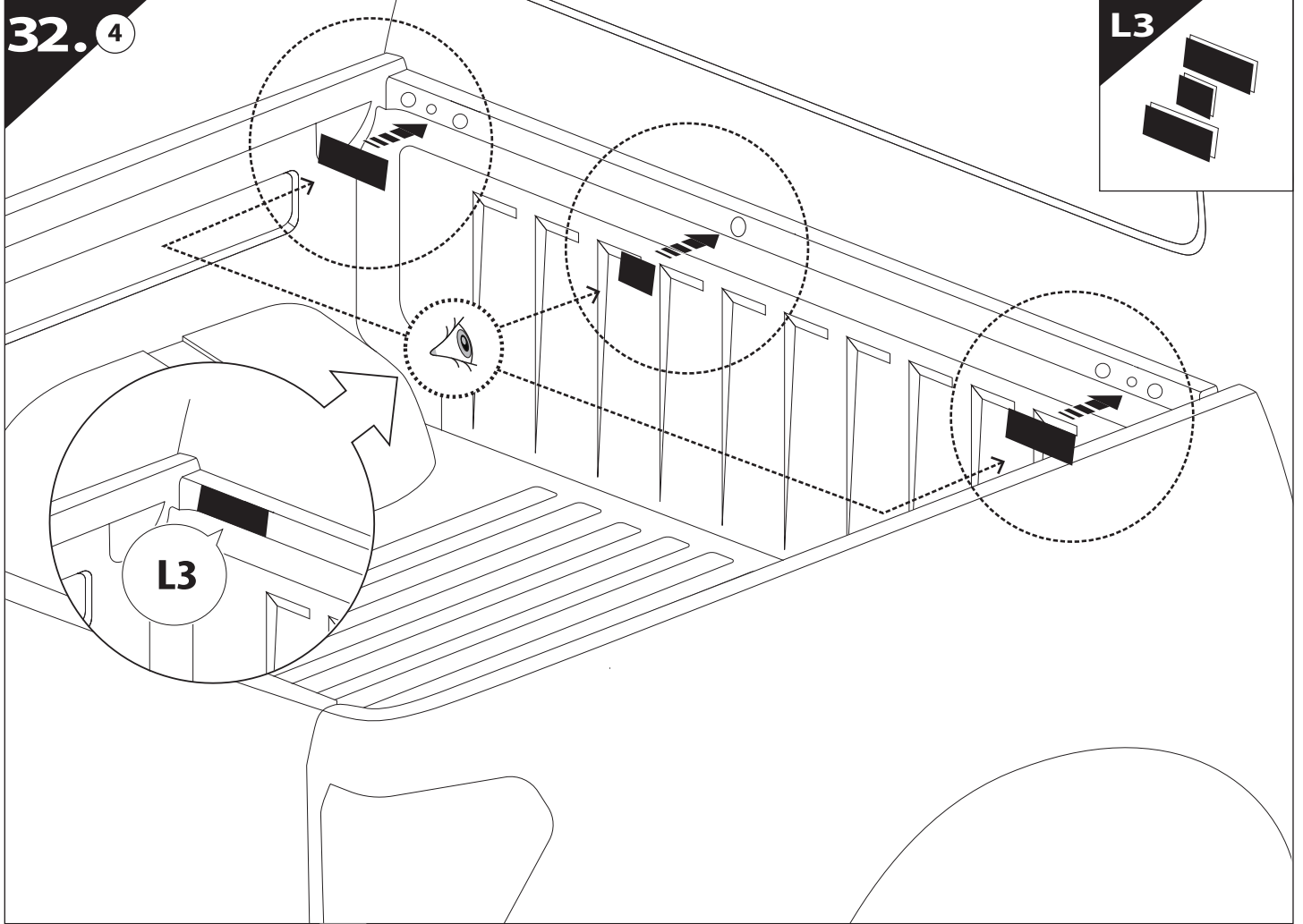


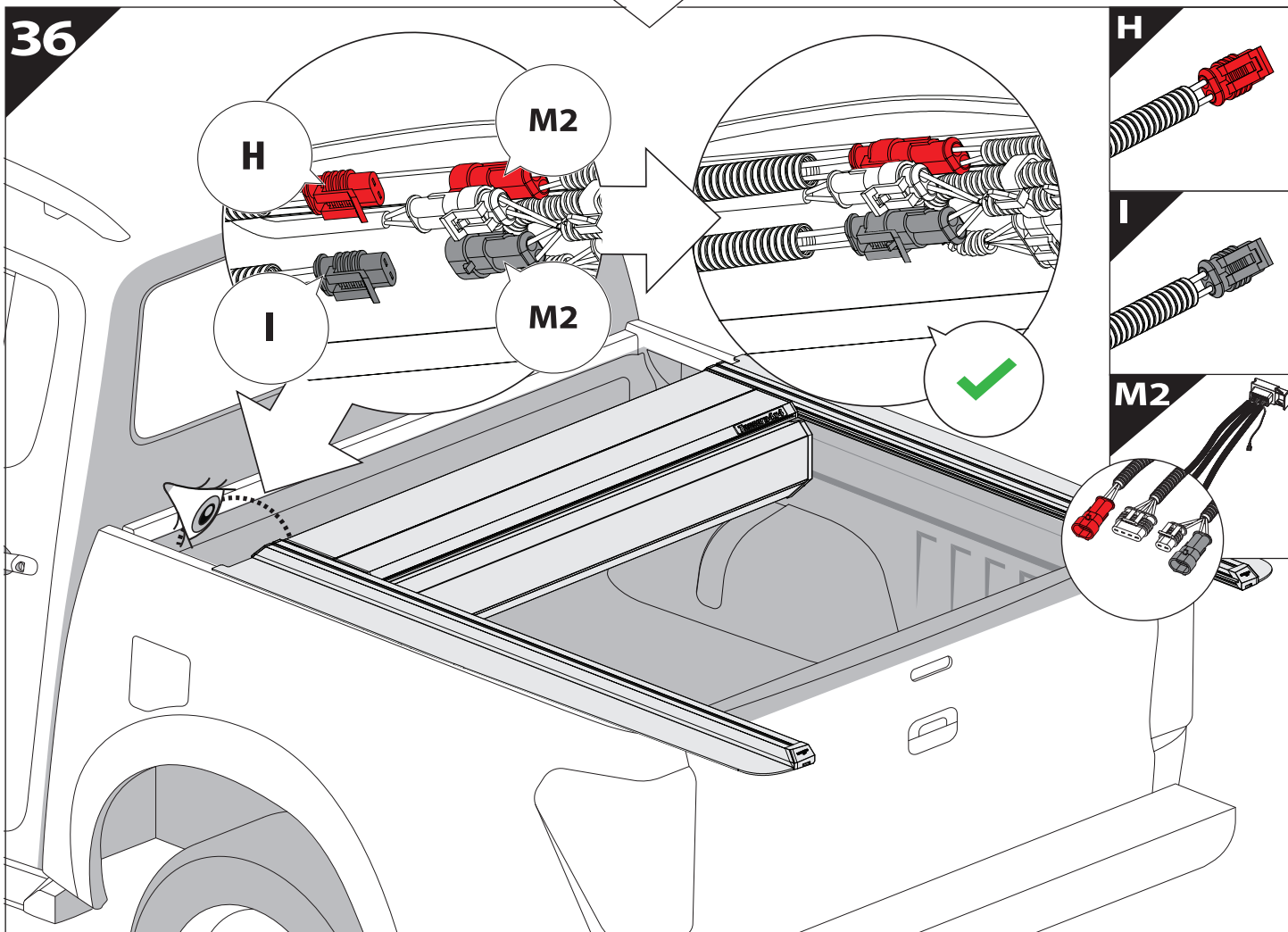
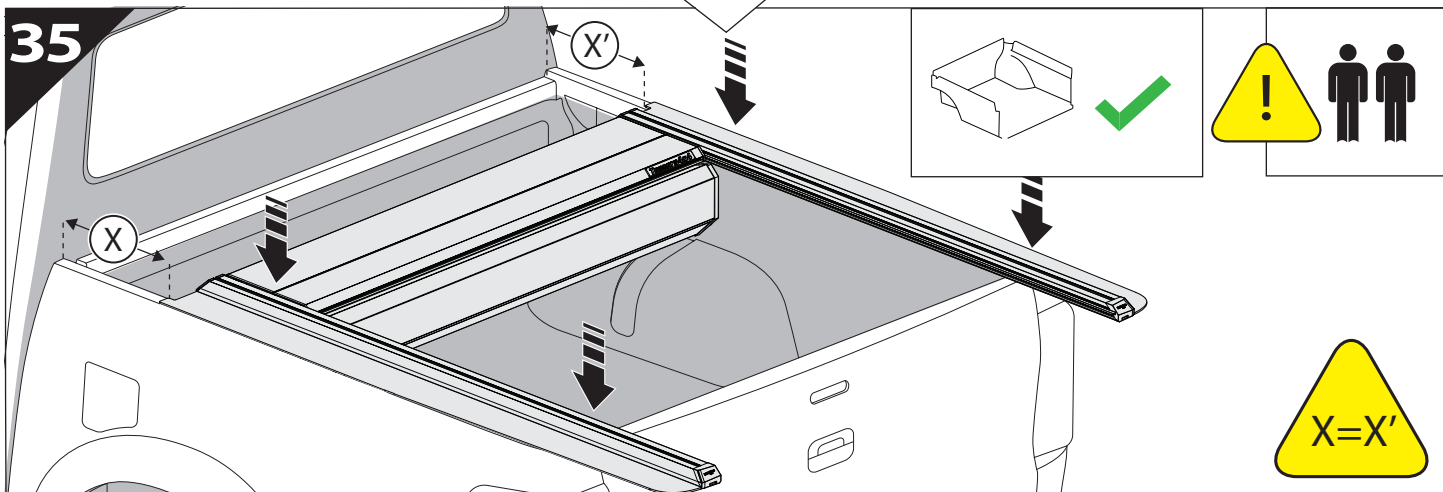
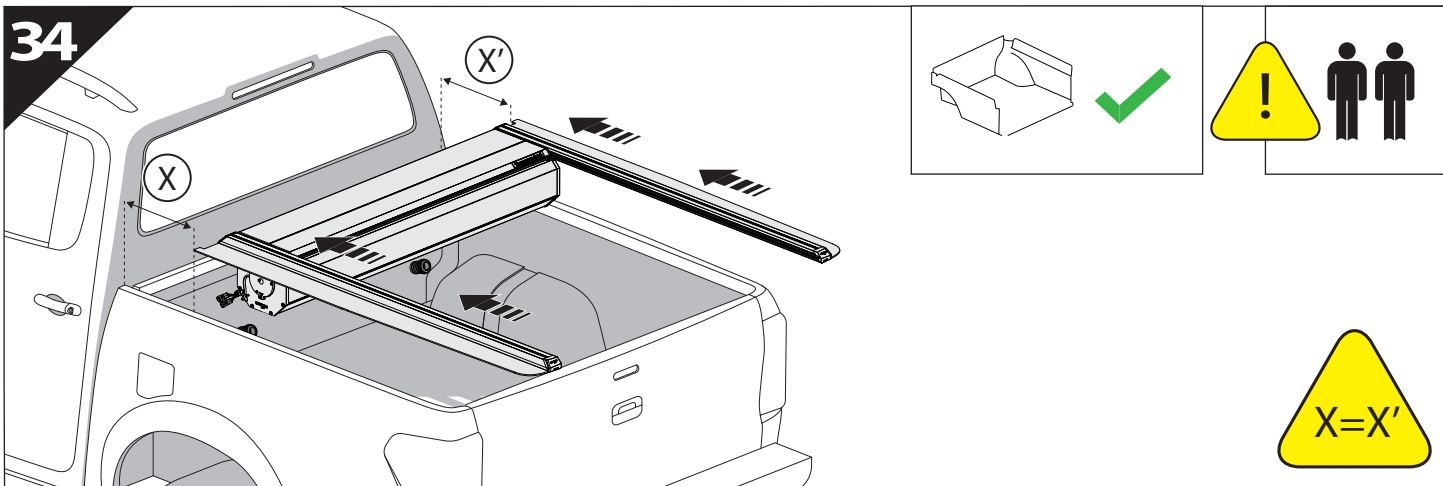
30



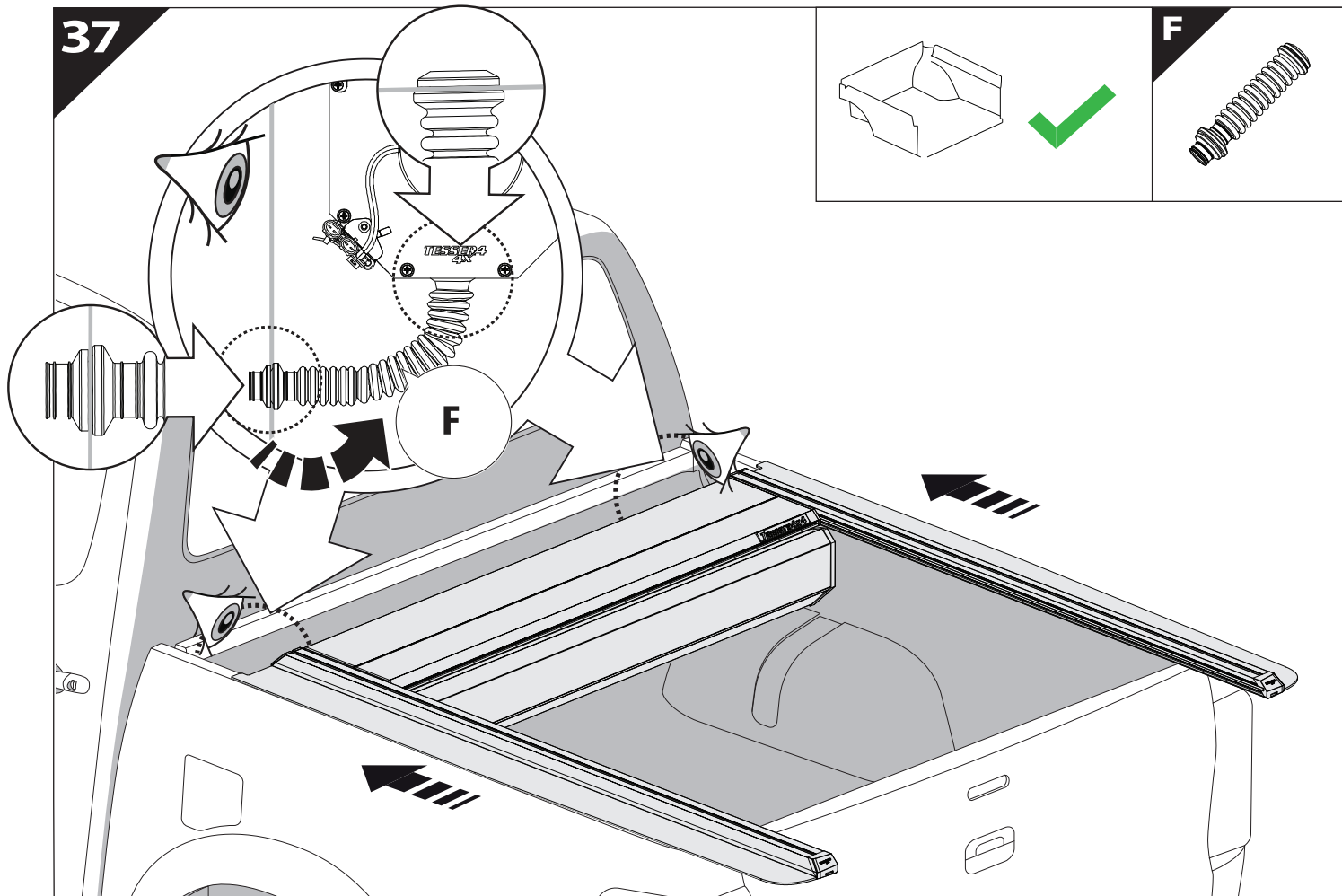




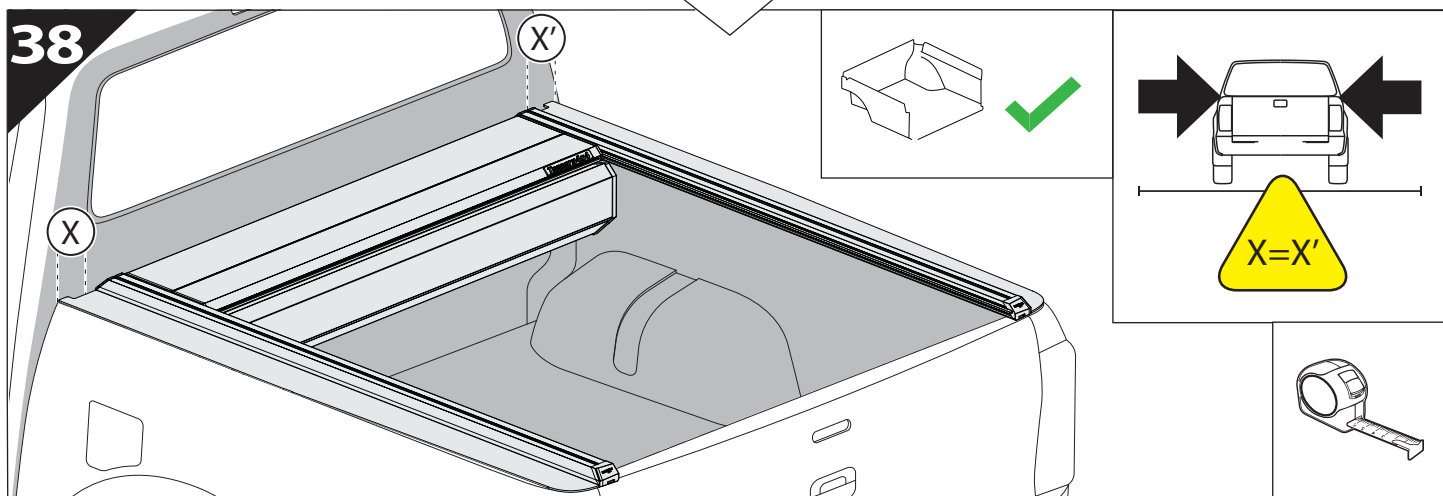




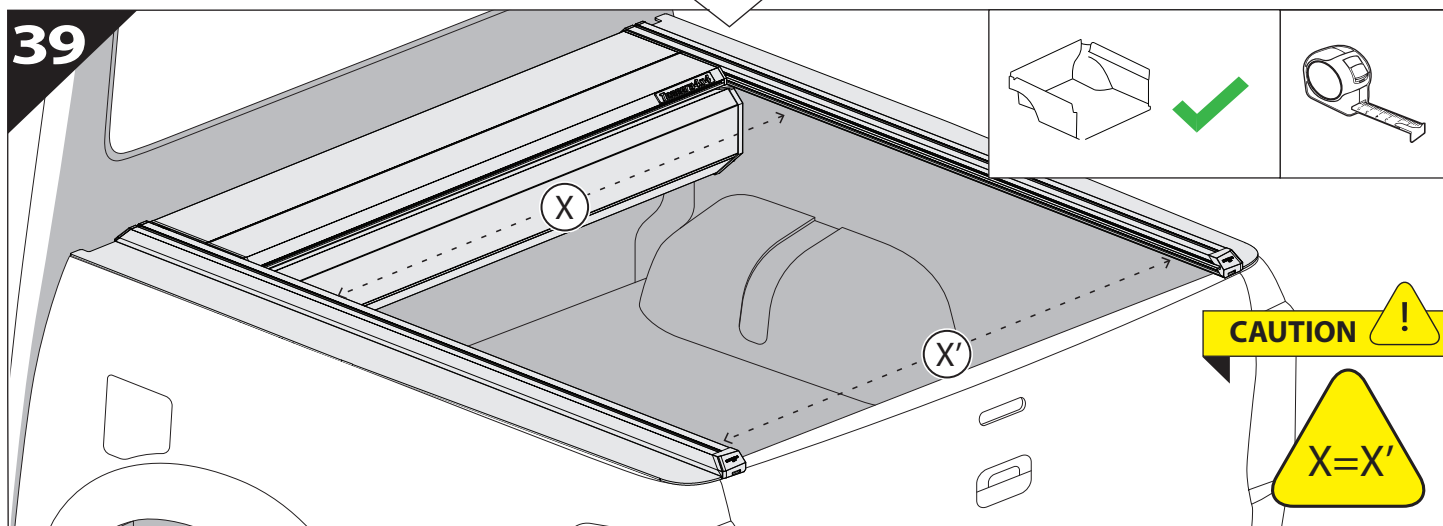
37



38

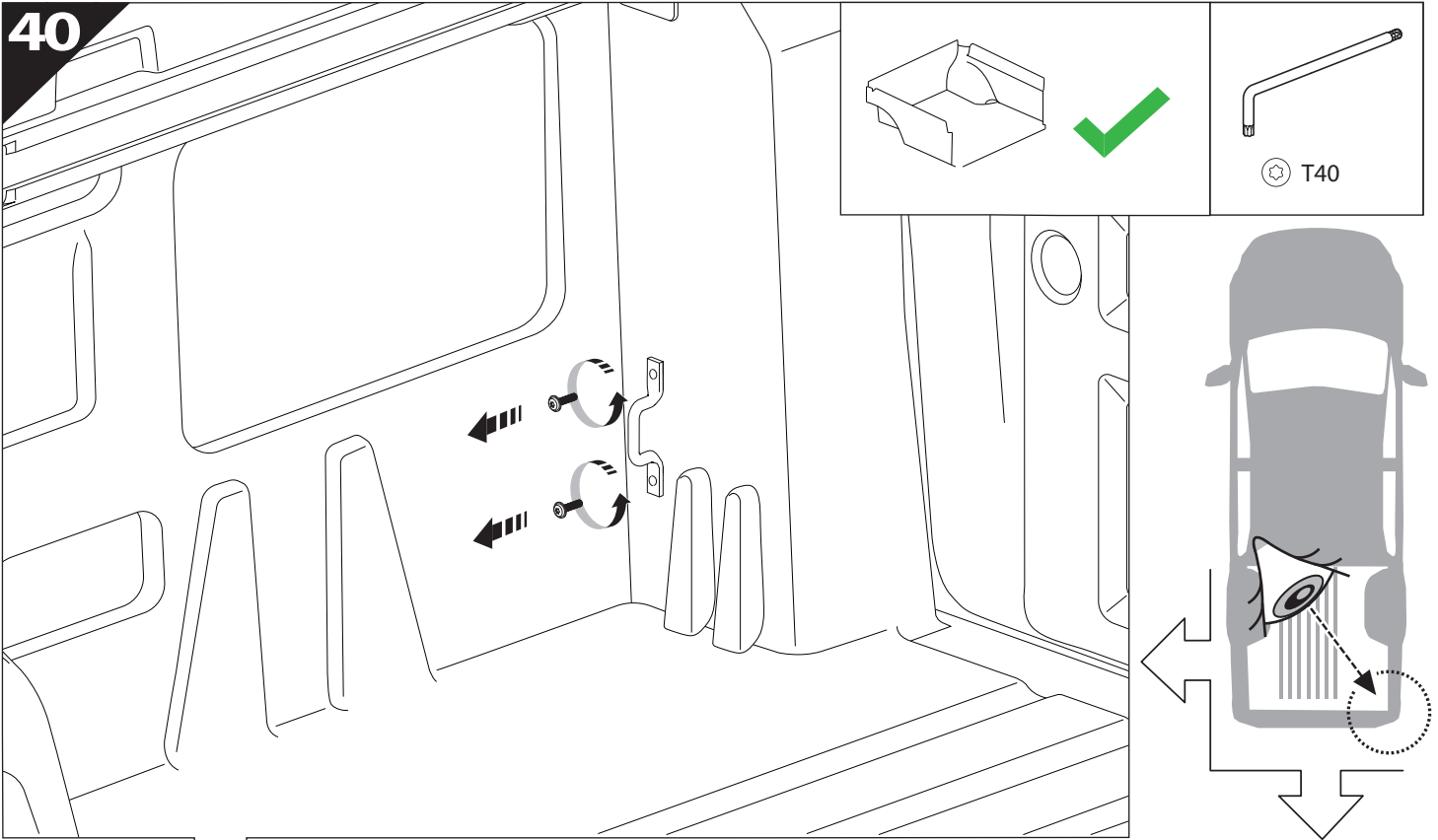


39

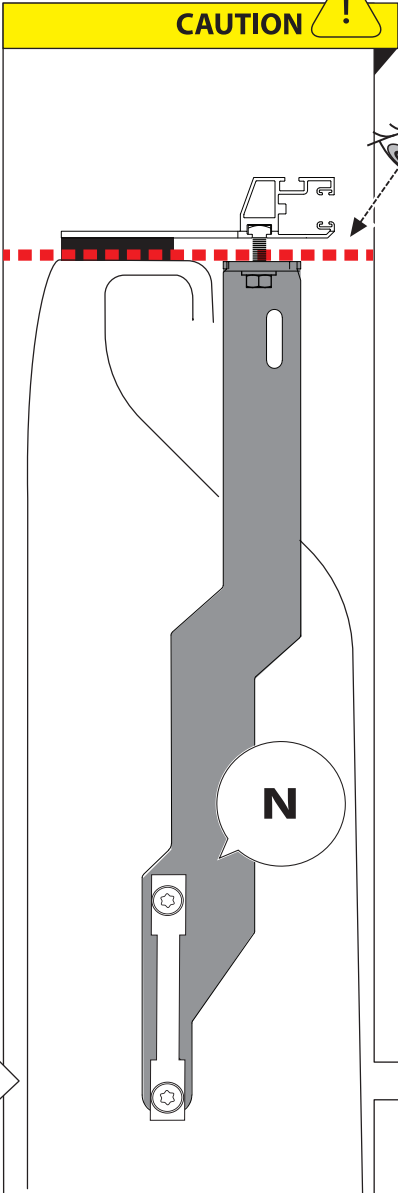
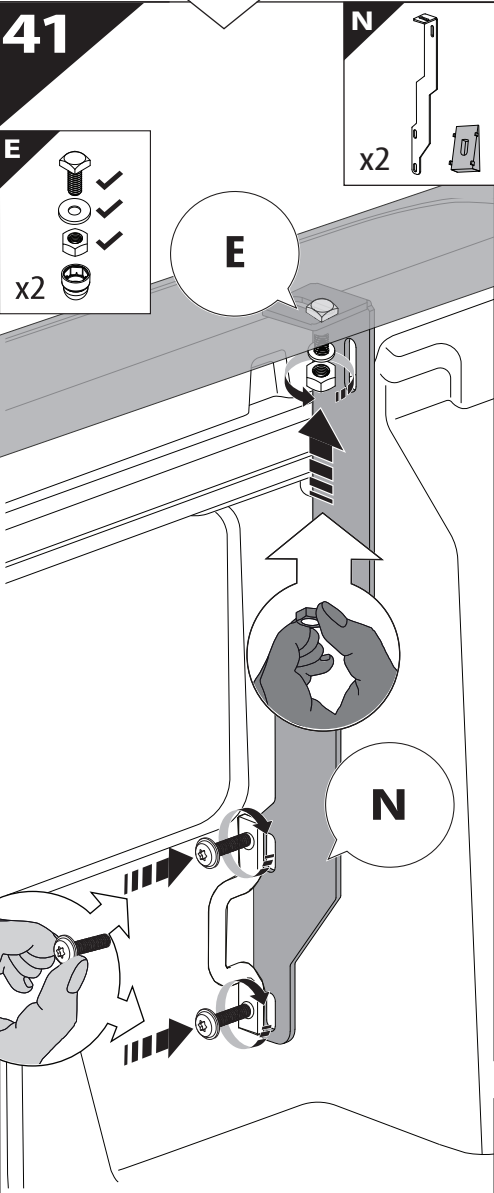




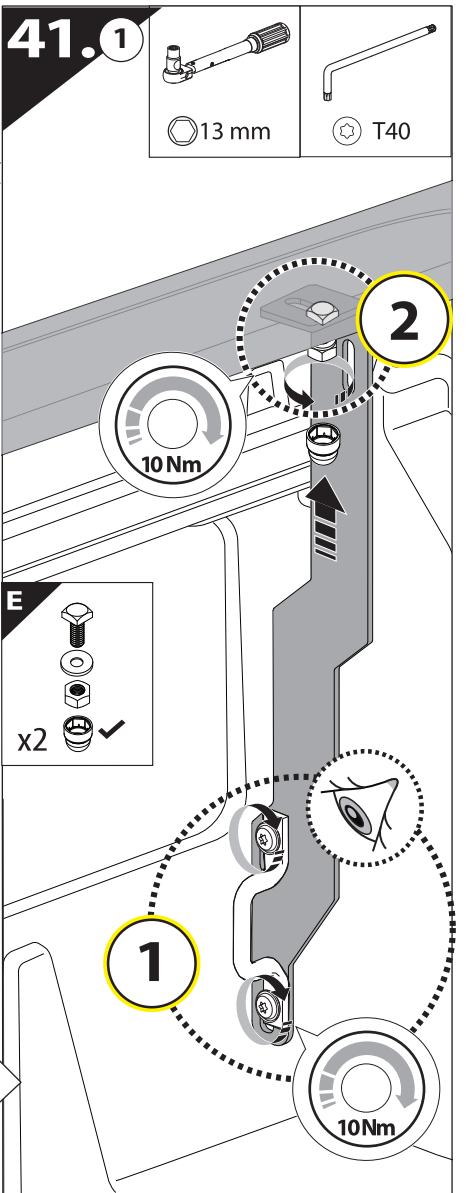
40



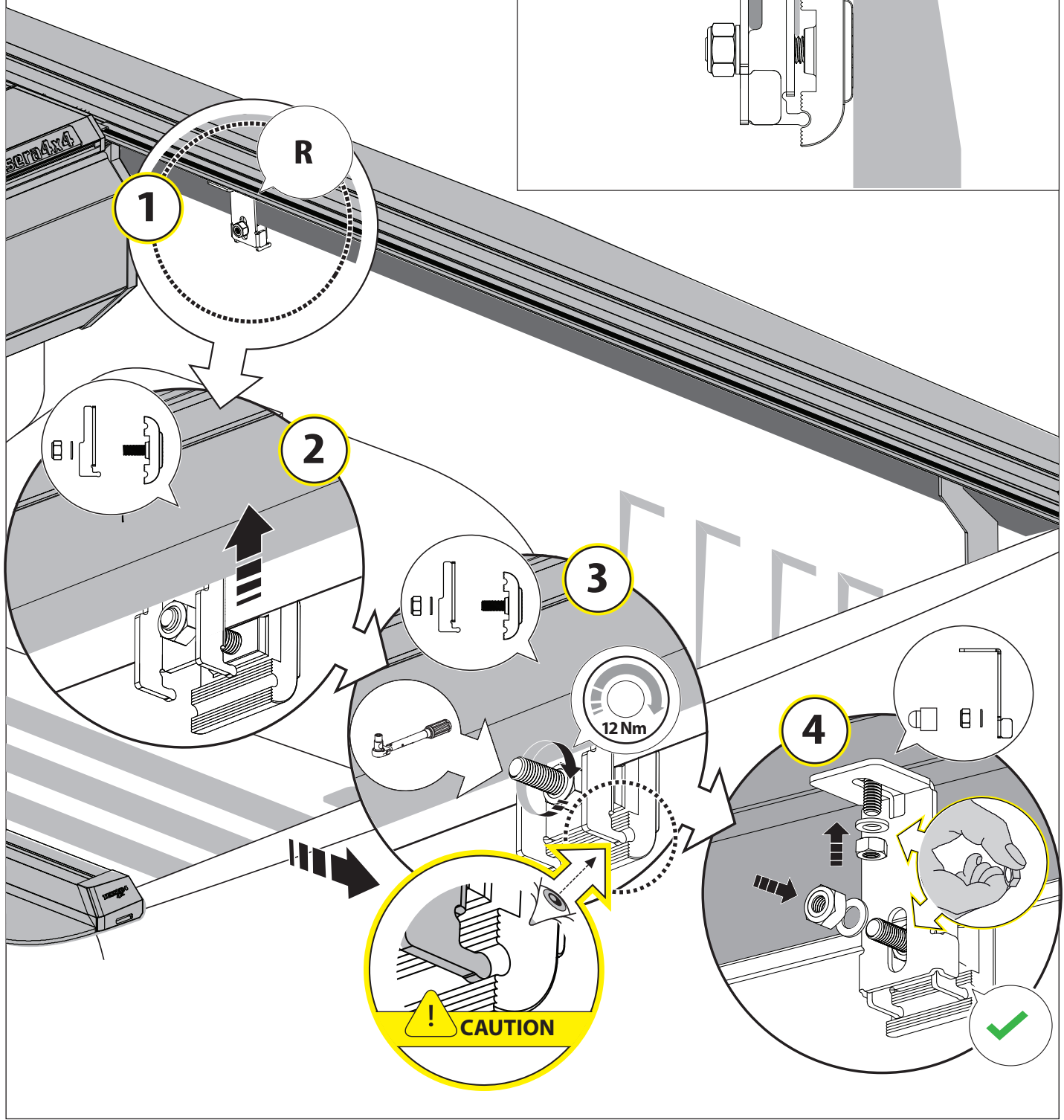
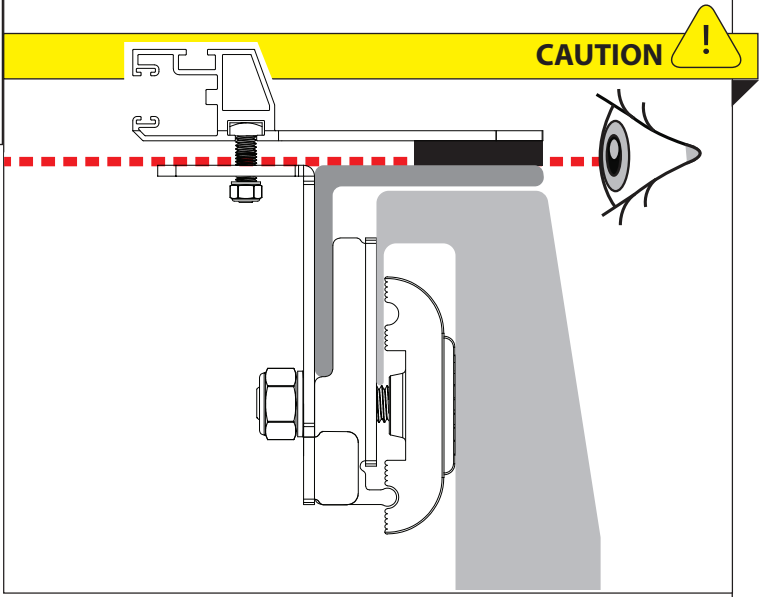
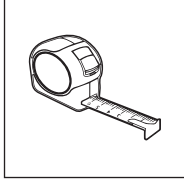
41

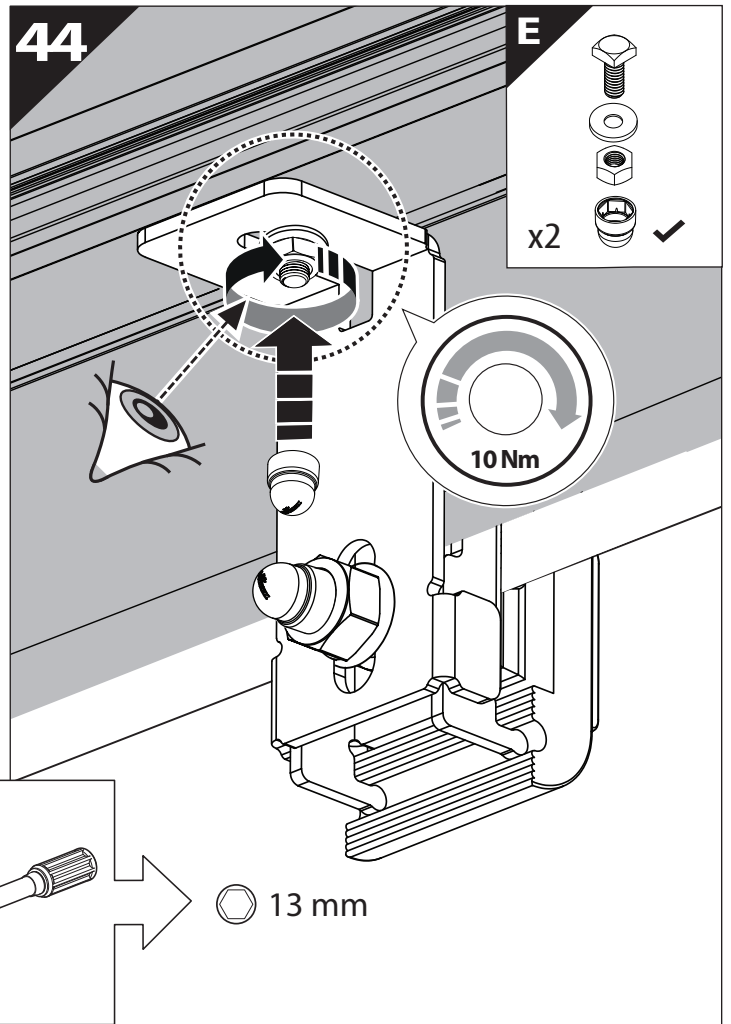
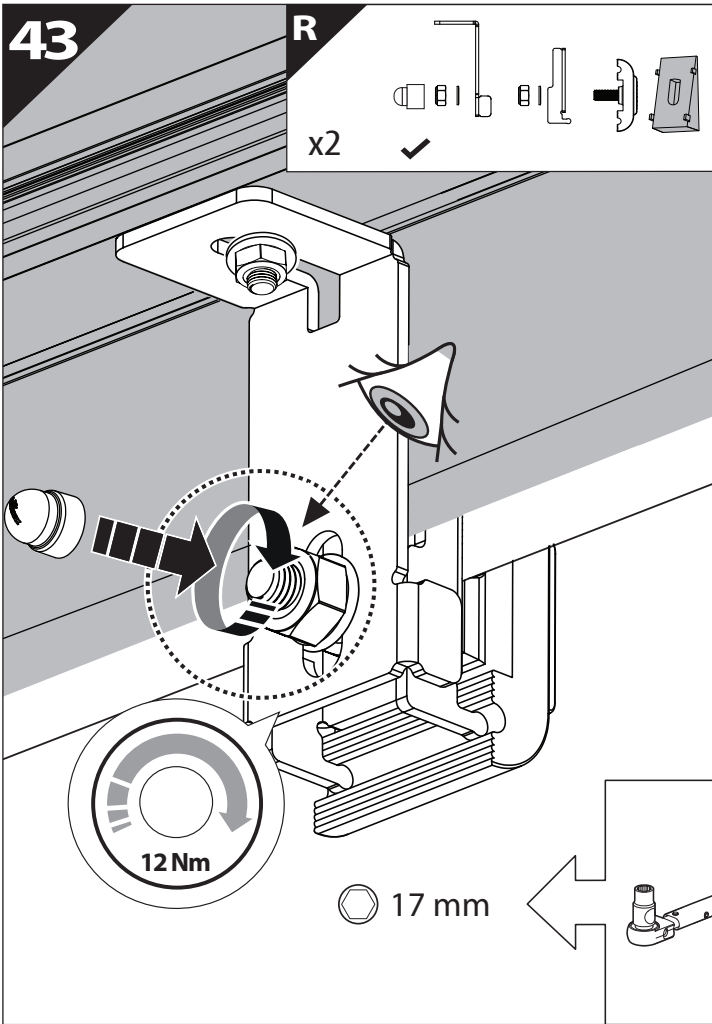


41.1

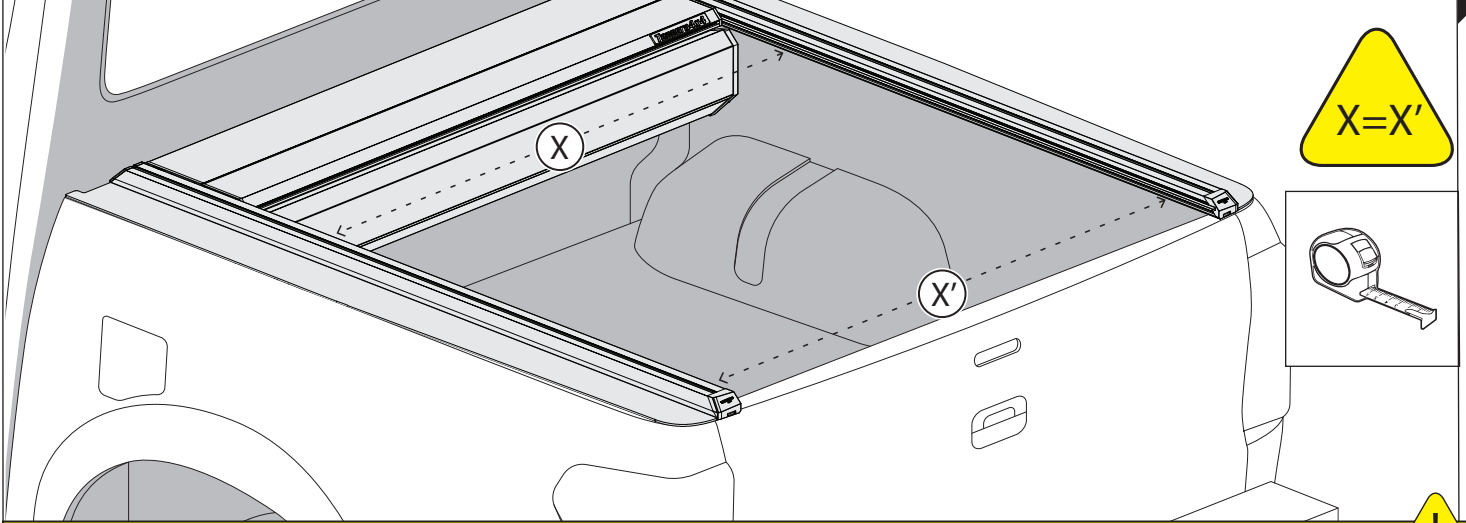


<b>R</b>  x2 ✓ ✓	<b>E</b>  x2 ✓ ✓ ✓ ✓ ✓	
------------------------	------------------------------	--

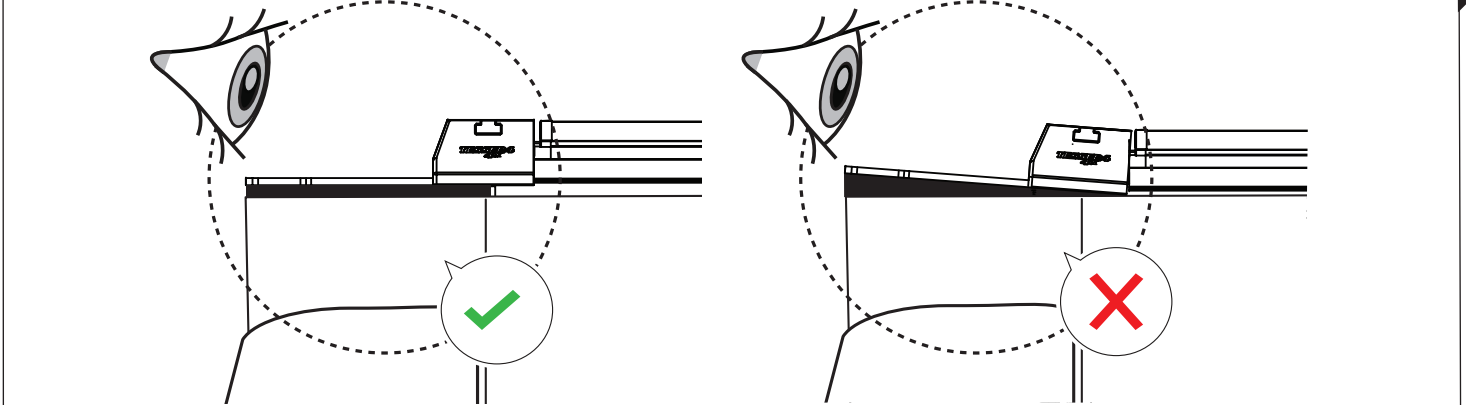


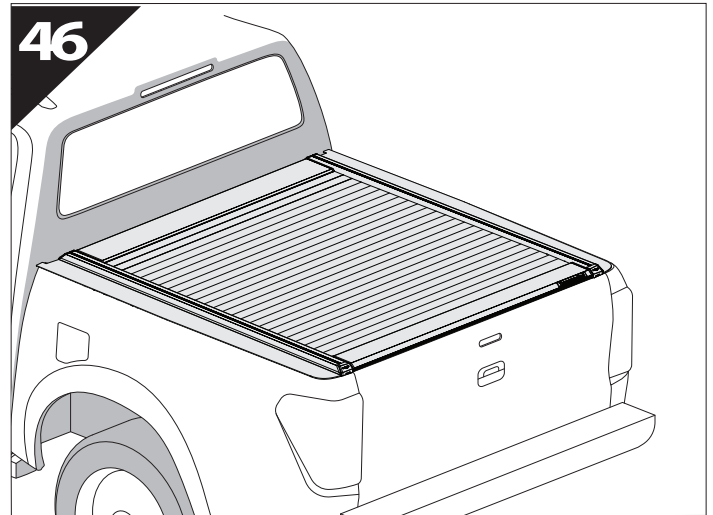
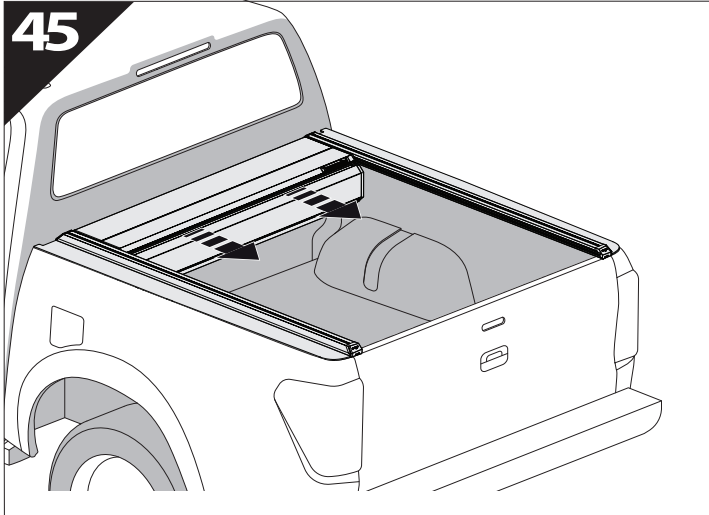


**CAUTION** !



**CAUTION** !





**GR:** Οδηγίες Εγκατάστασης  
**GB:** Installation manual  
**SF:** Asennusohje  
**F:** Notice de montage  
**PL:** Instrukcja montażu  
**NL:** Installatie-instructies  
**TR:** Montaj Talimatı  
**S:** Monteringsanvisning  
**E:** Instrucciones de montaje

**H:** Szerelési utasítás  
**P:** Instruções de instalação  
**RUS:** Инструкция по установке  
**N:** Monteringsveiledning  
**D:** Einbauanleitung  
**CZ:** Návod k instalaci  
**I:** Istruzioni de montaggio  
**DK:** Monteringsvejledning  
**RO:** Instructiuni de instalare

Customer Service:

+30 (210) 5541161, +30 (210) 5541154 (08:00 - 16:00 EET)

Support department:

[info@gianso.gr](mailto:info@gianso.gr)

Website:

[www.tessera4x4.com](http://www.tessera4x4.com)

Address:

19.5 km of National road Athens-Korinthos (Elefsina) Greece, P.C: 19200