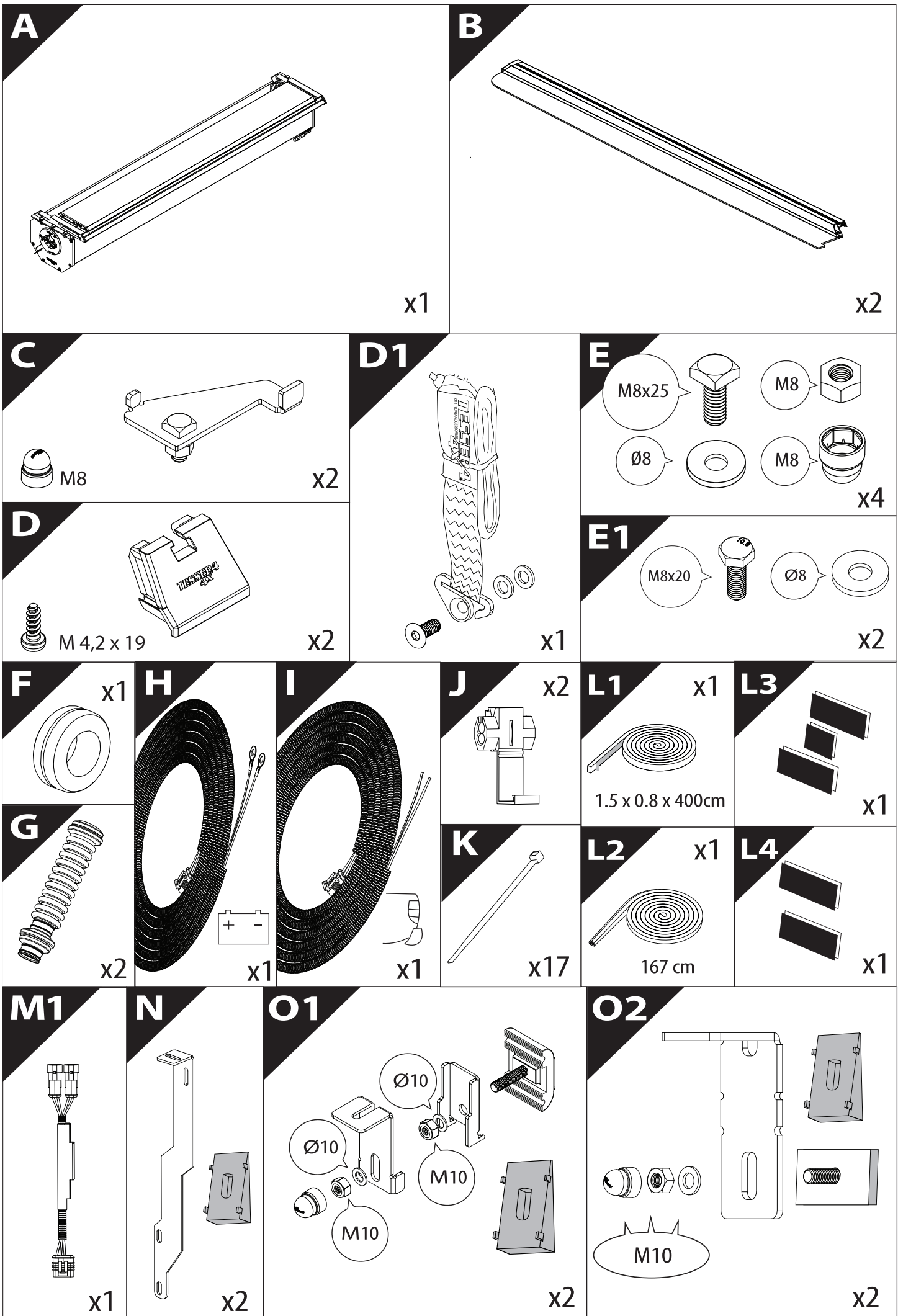
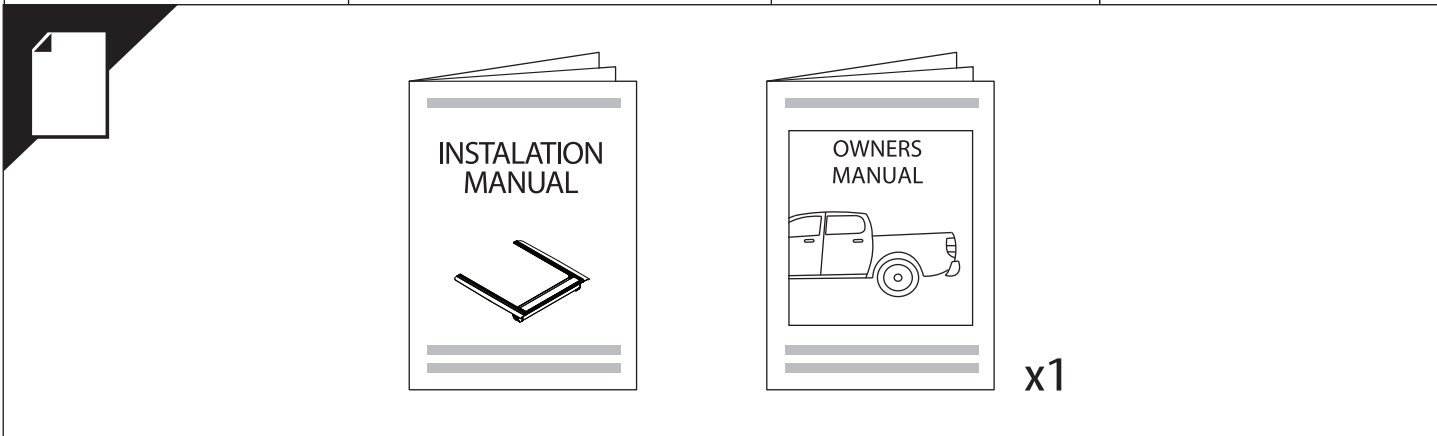
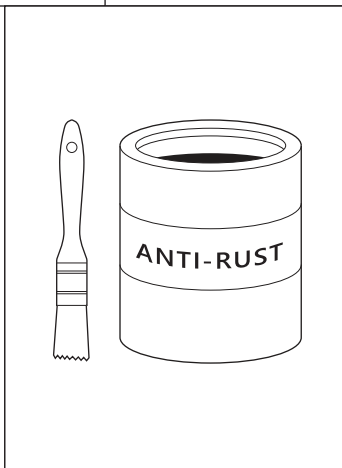
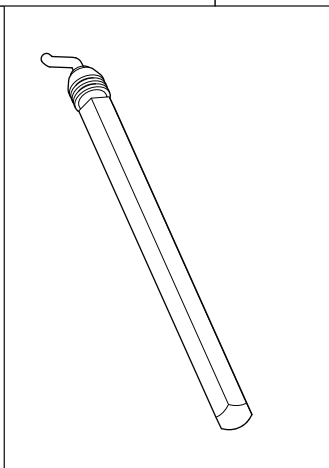
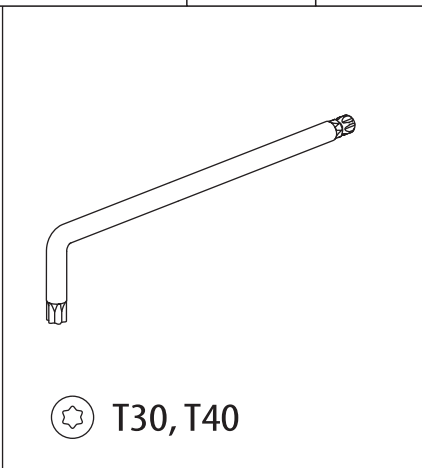
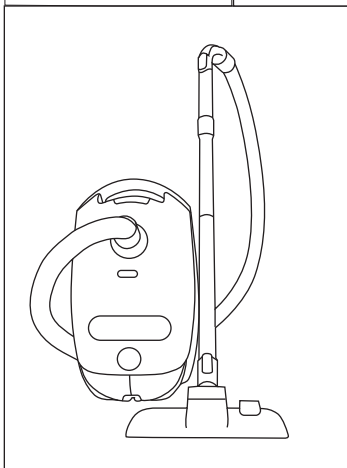
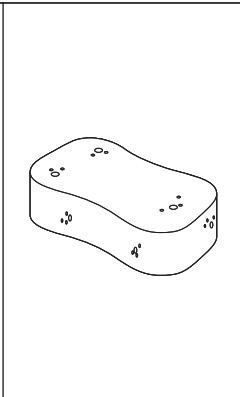
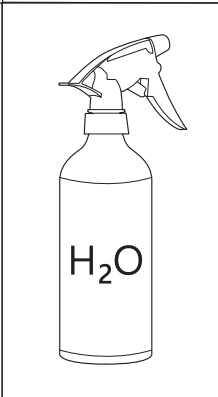
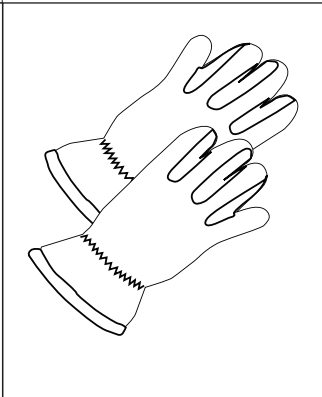
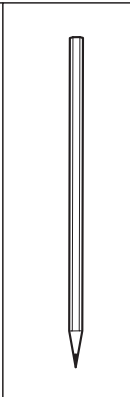
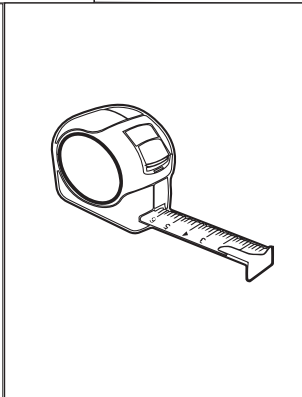
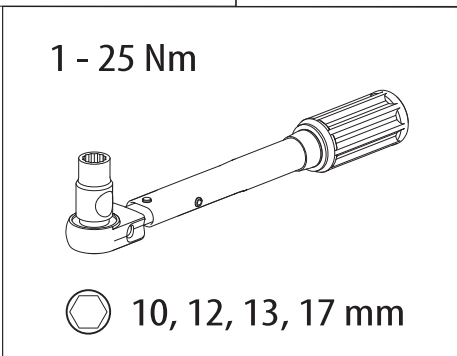
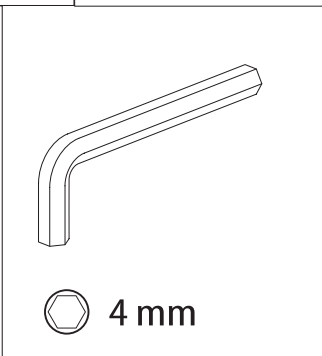
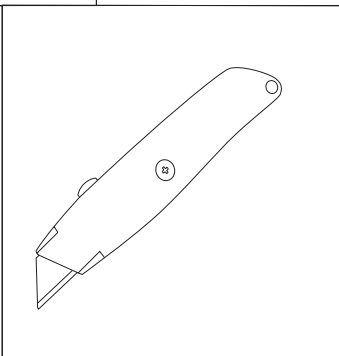
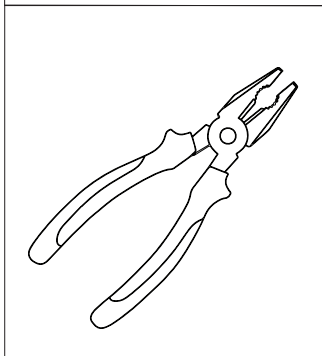
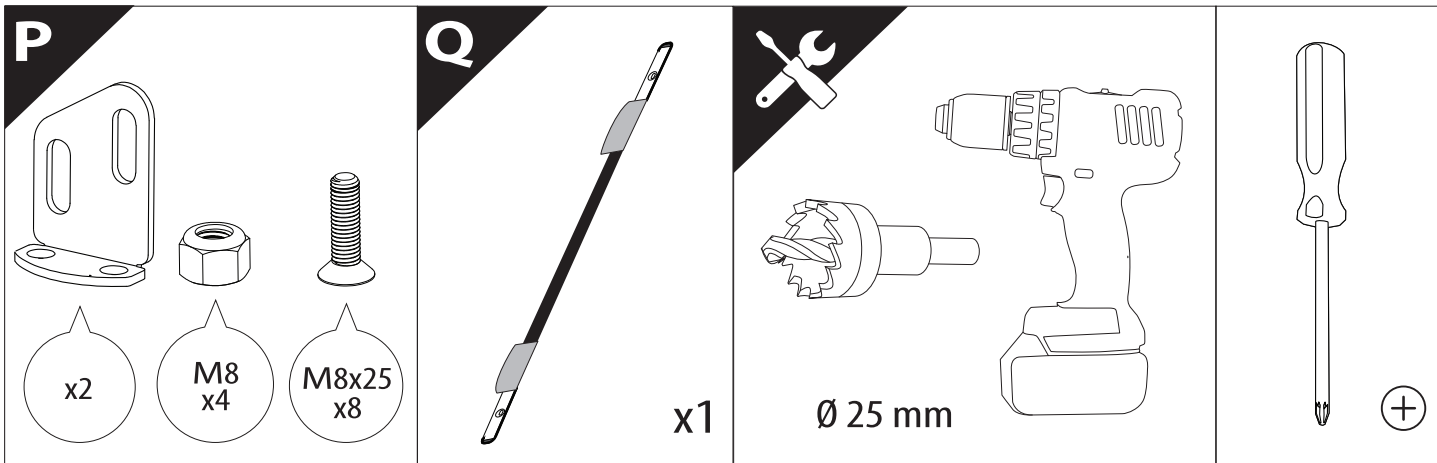
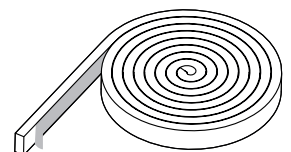
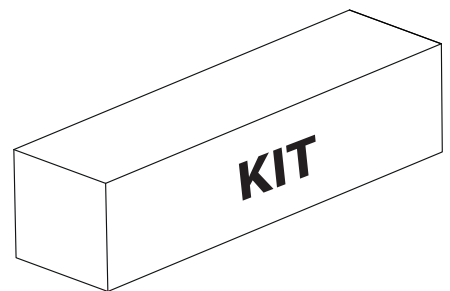
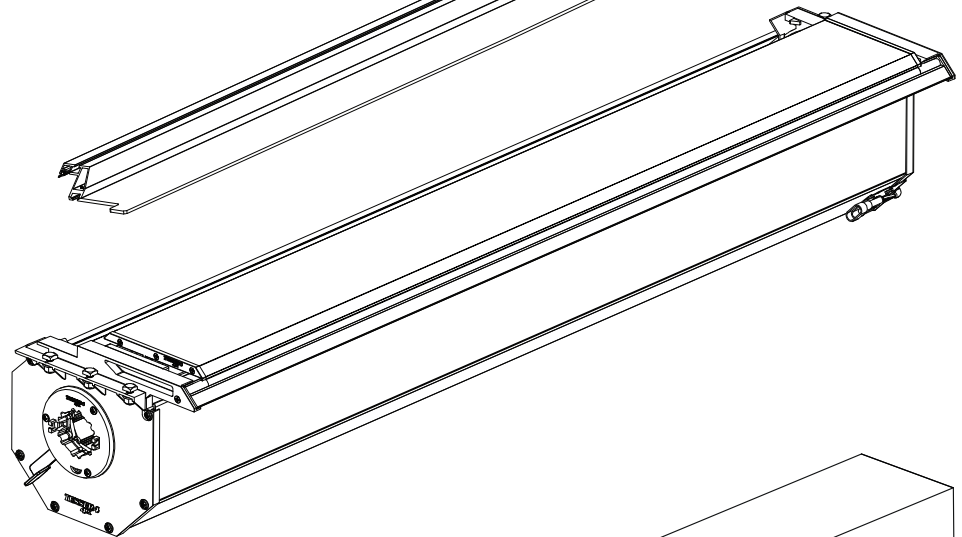
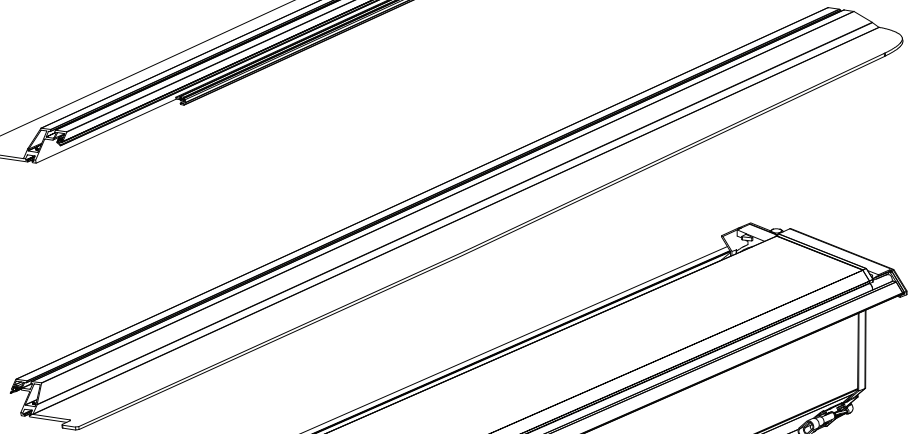
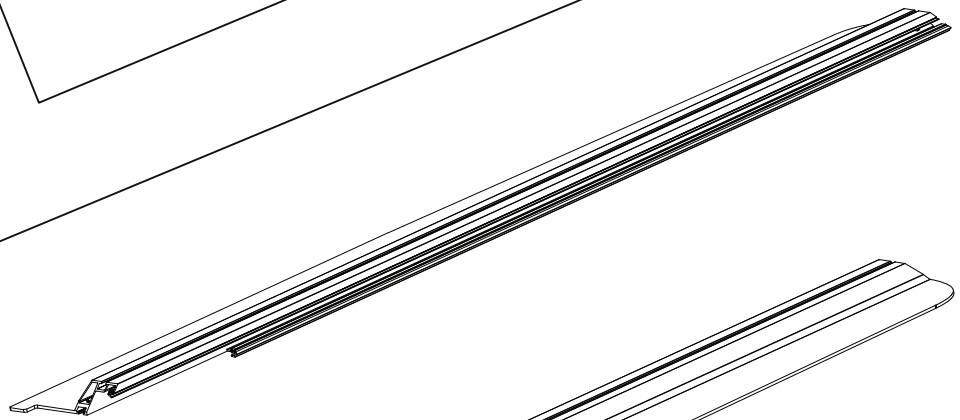
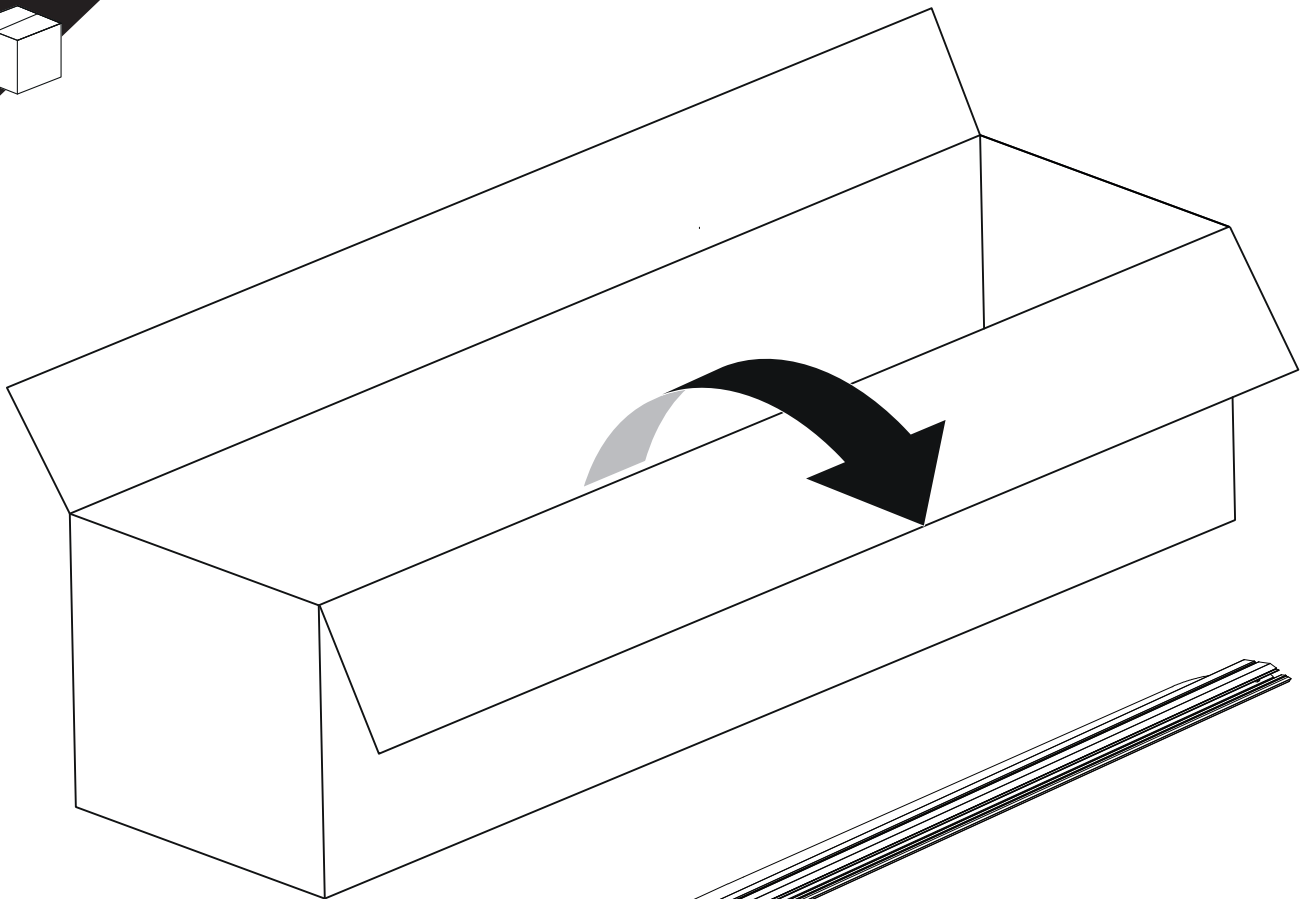


Installation Manual

PART NUMBER(S)	Model Year
TESS 14012 ROLL	VW AMAROK PANAMERICANA 2023+ WITH OR WITHOUT C-CHANNELS
Cab(s)	Installation Time / Weight
Double Cab	40-60 minutes / 53-57 kg





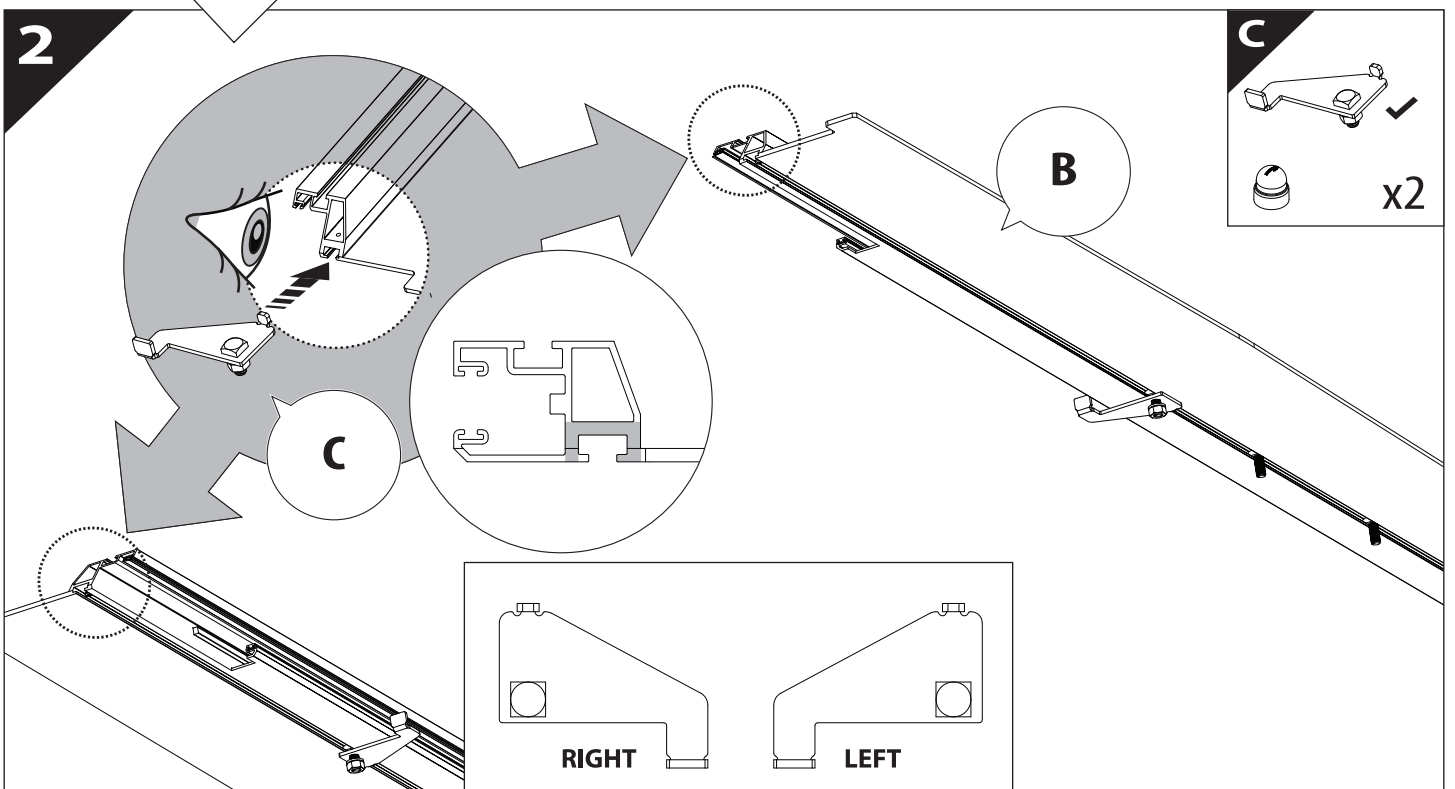
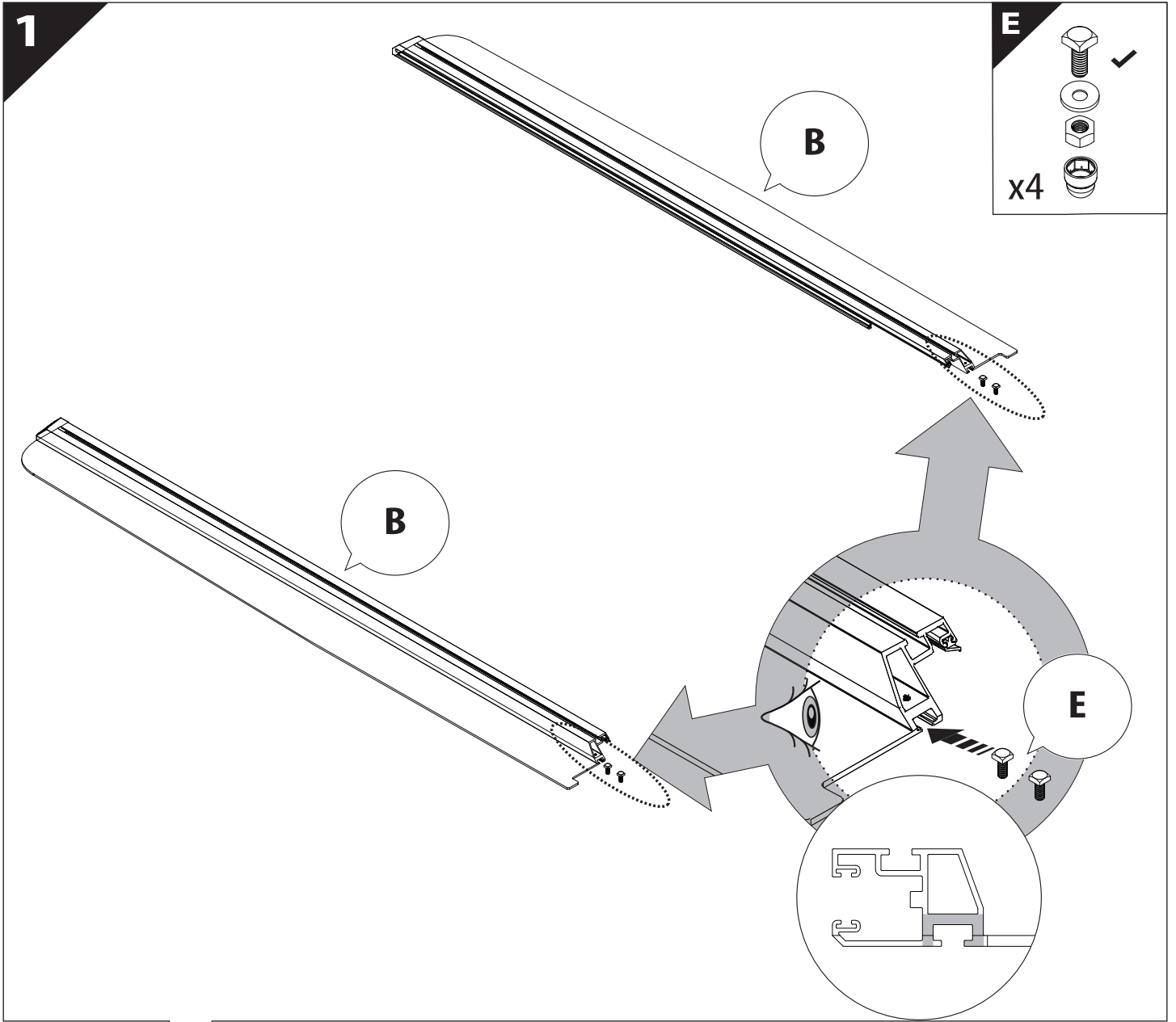


B

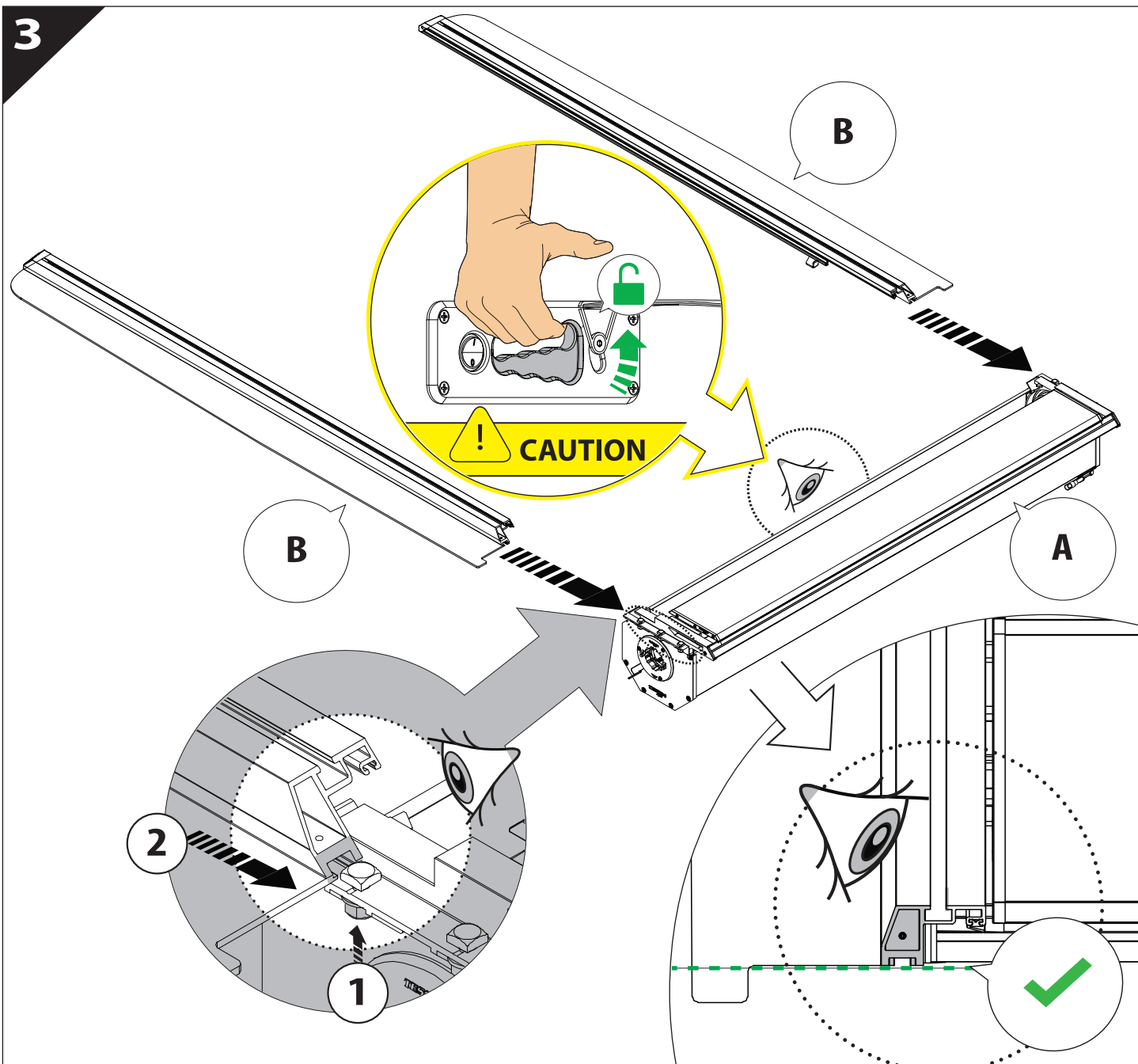
A

KITS

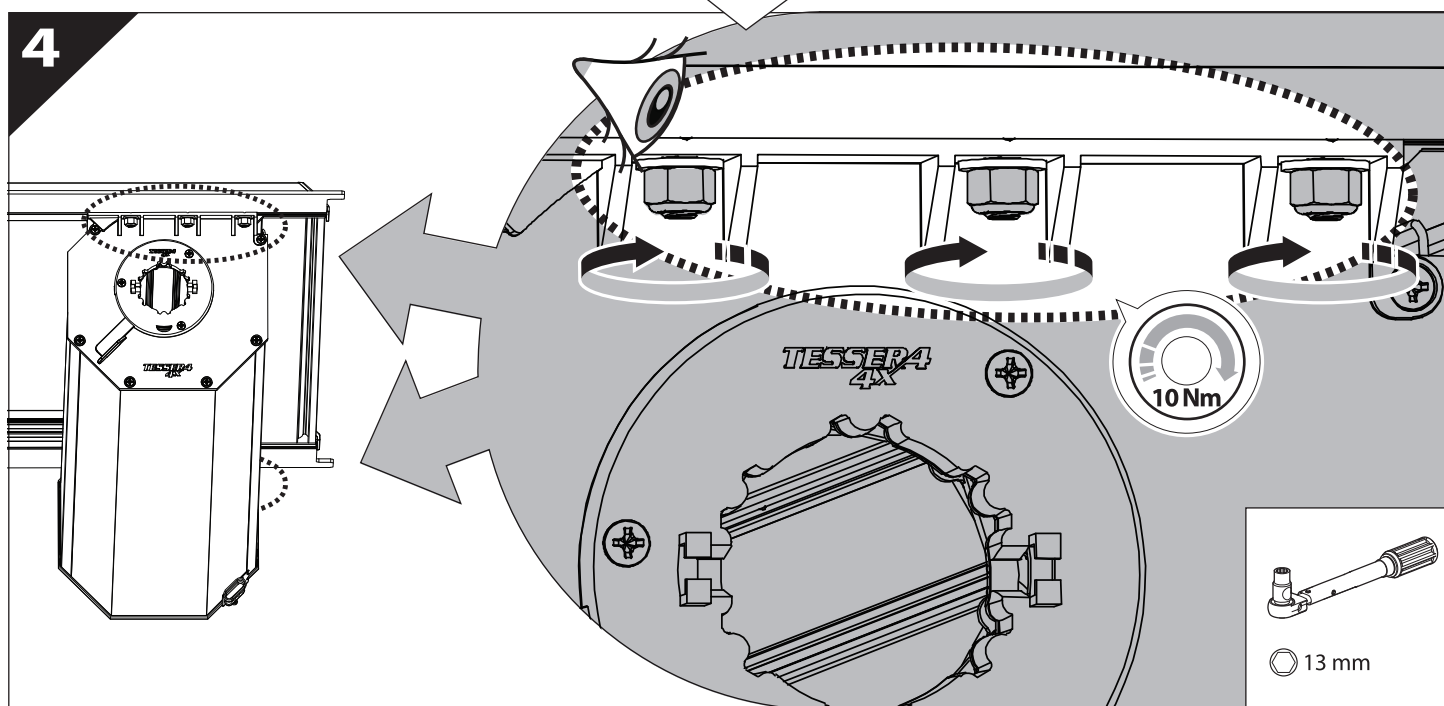
L

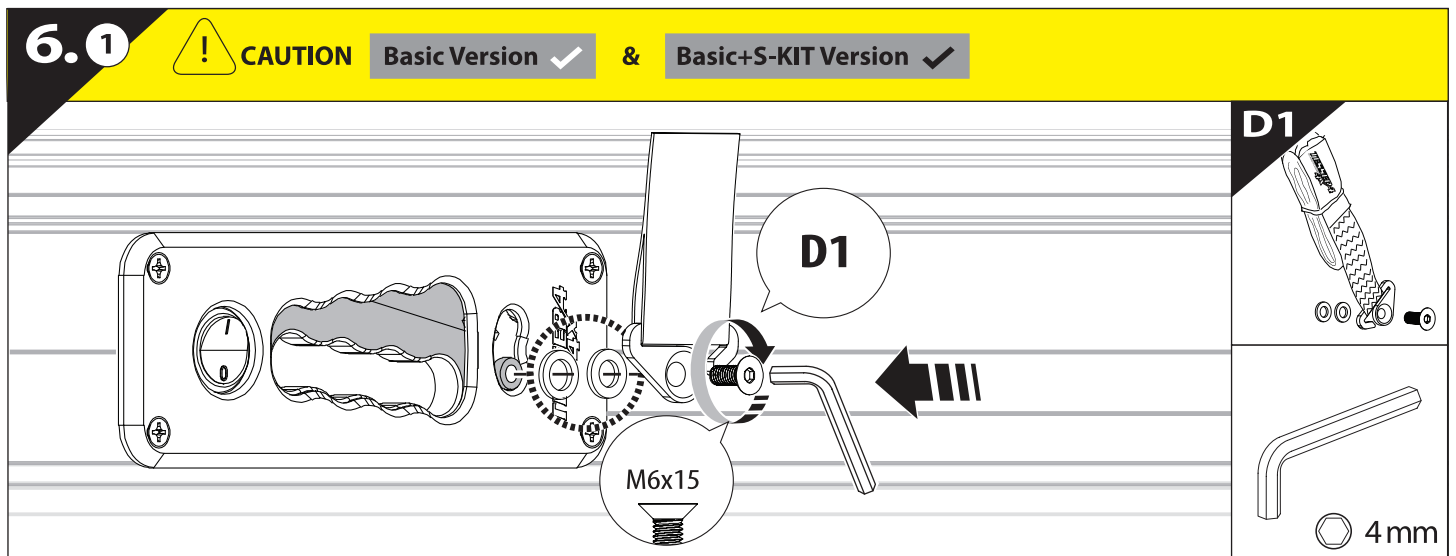
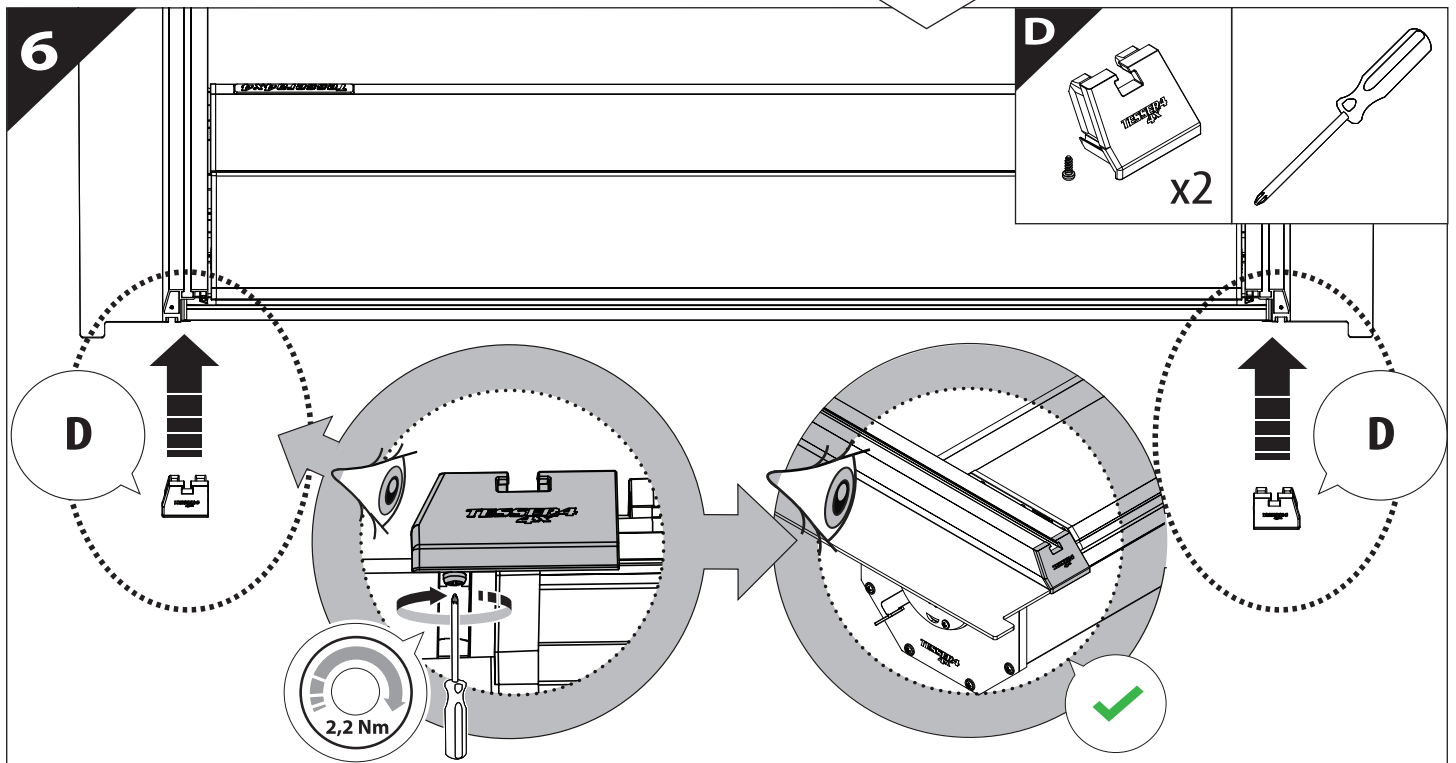
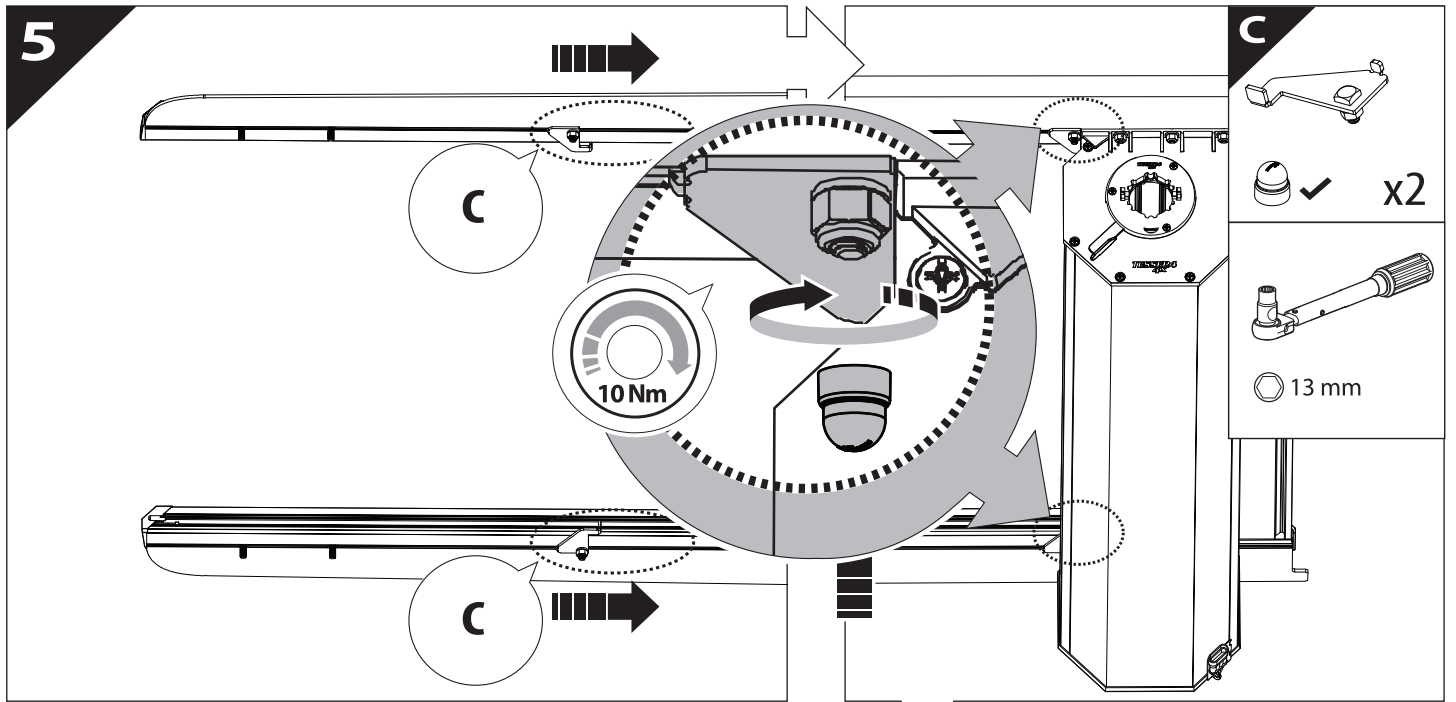


3

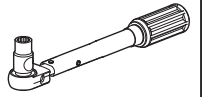


4



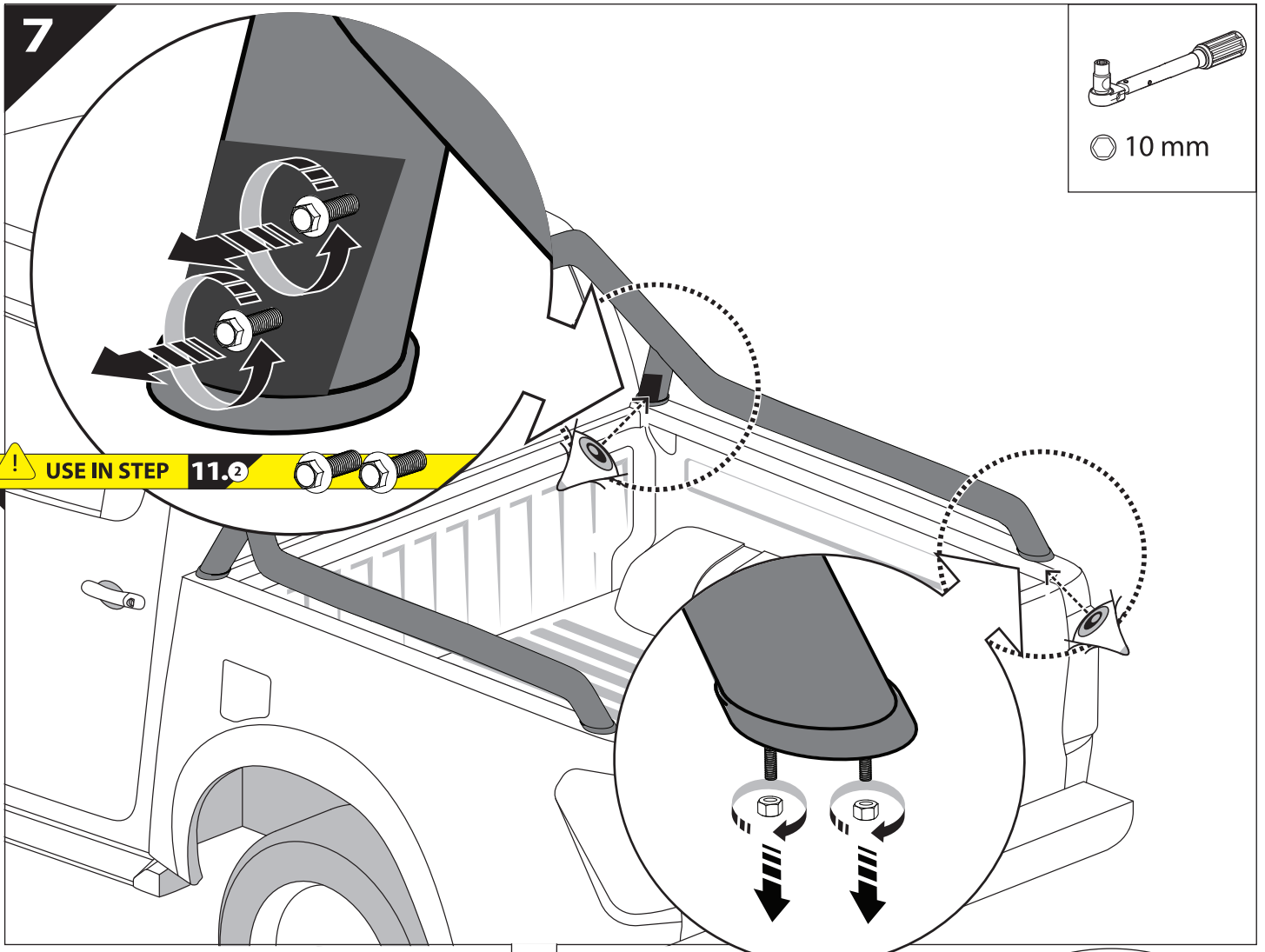


7



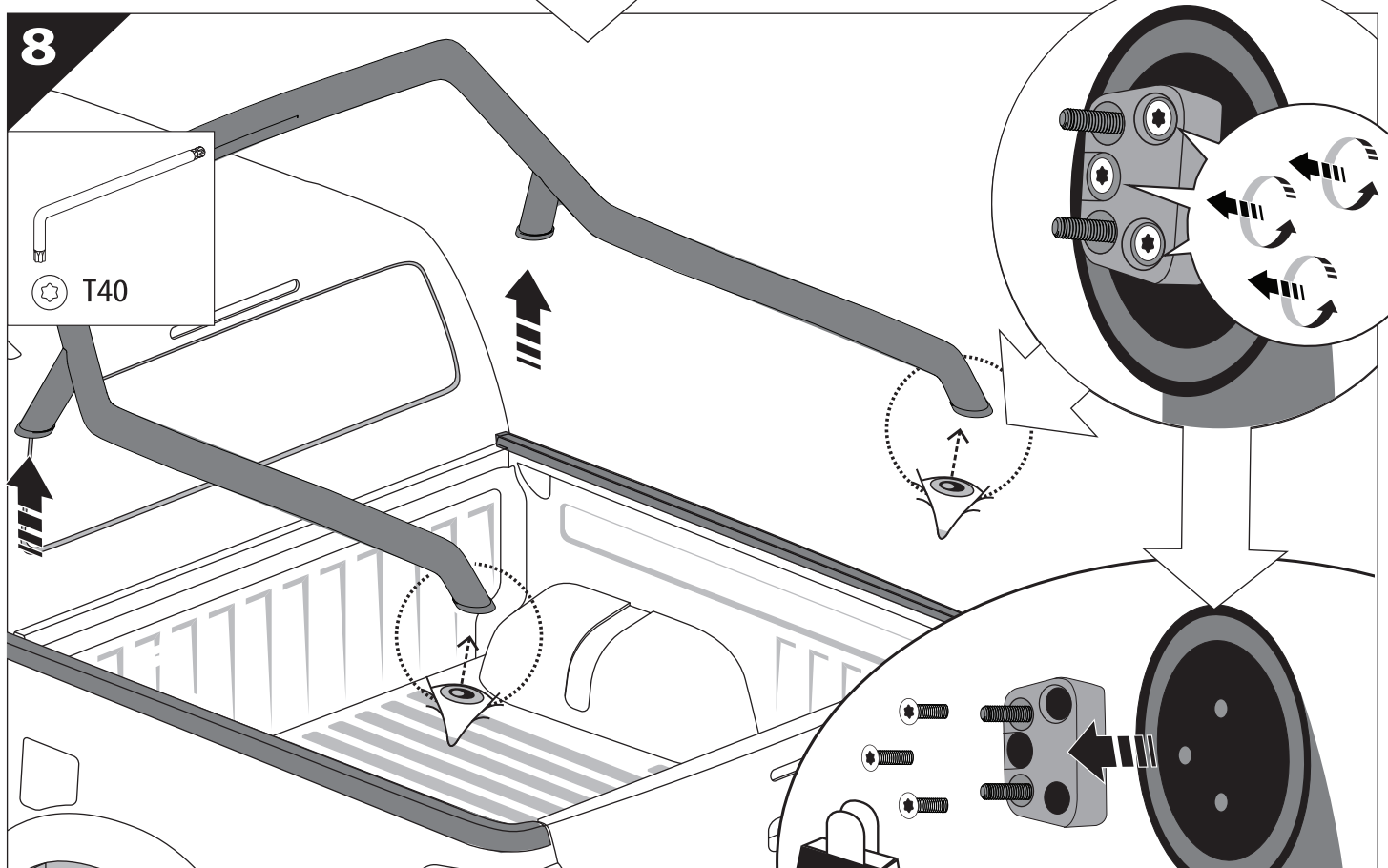
10 mm

! USE IN STEP 11.2



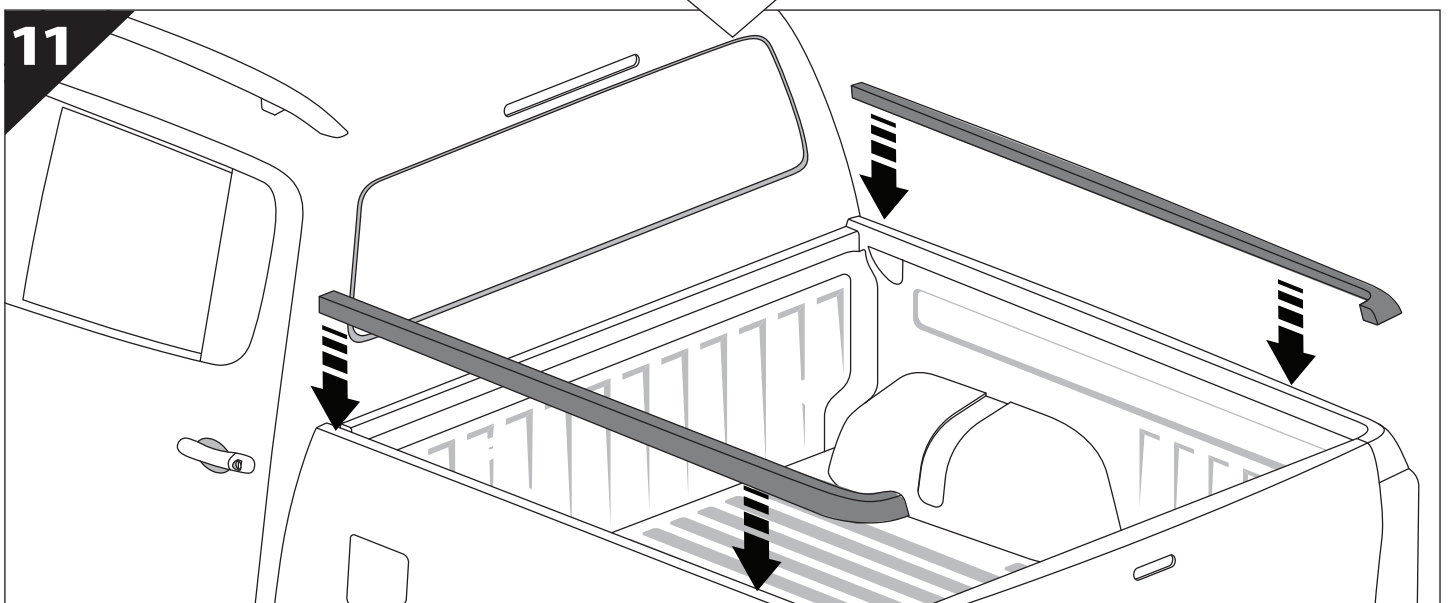
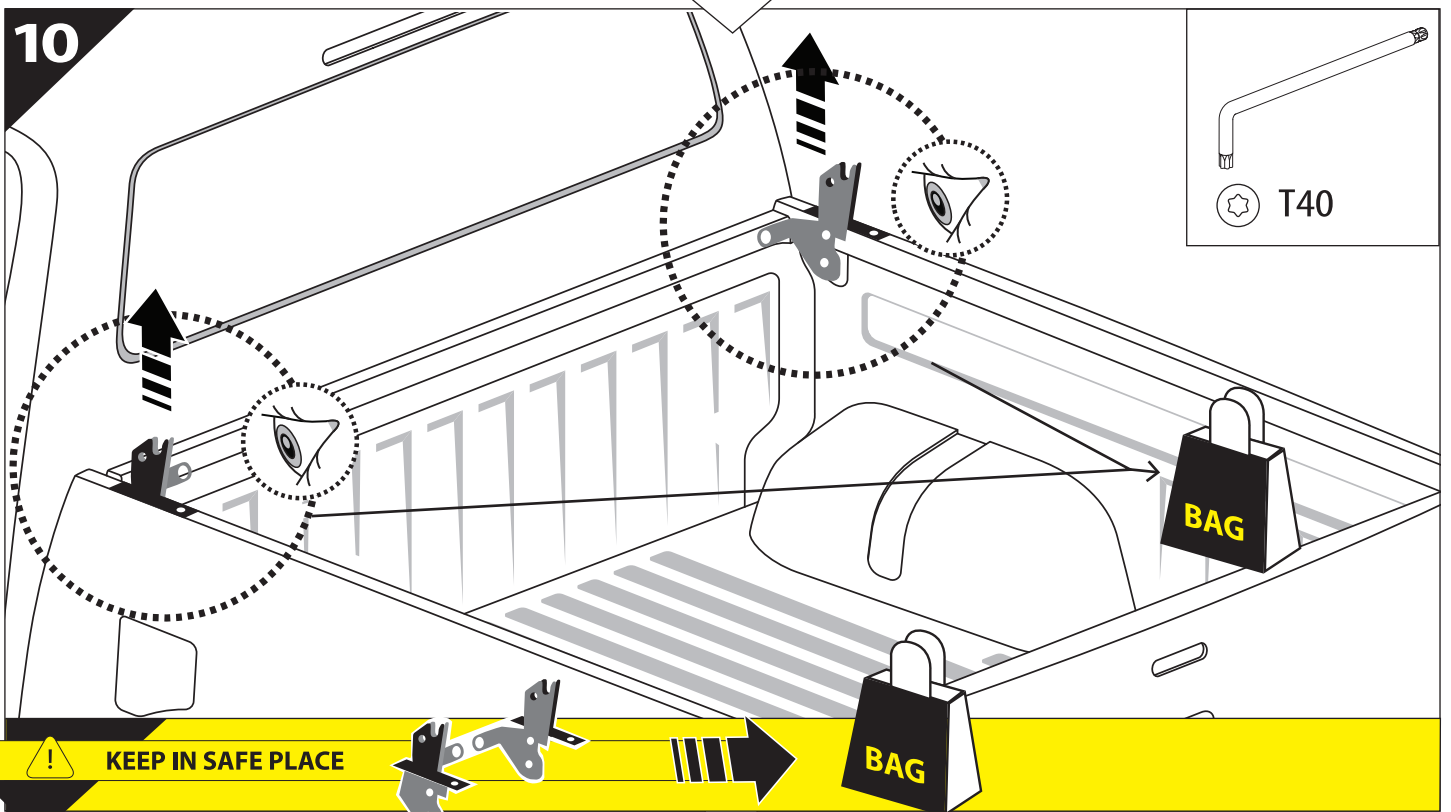
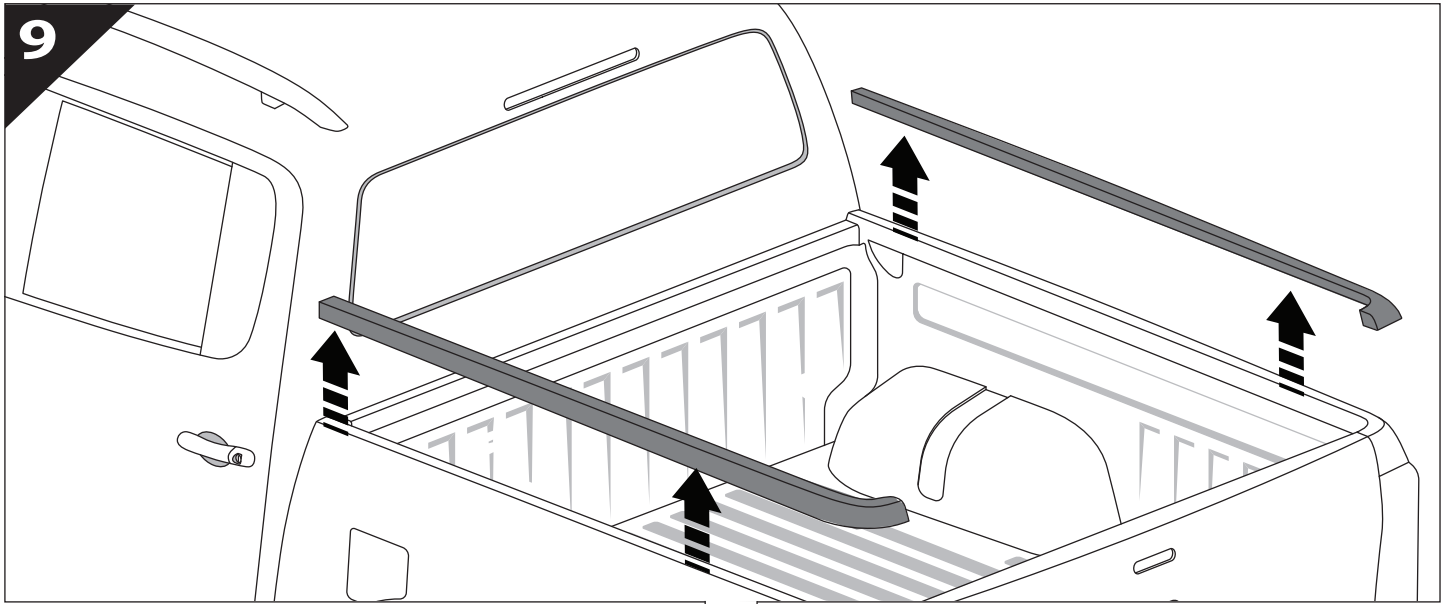
8

T40



! KEEP IN SAFE PLACE





11.0

P



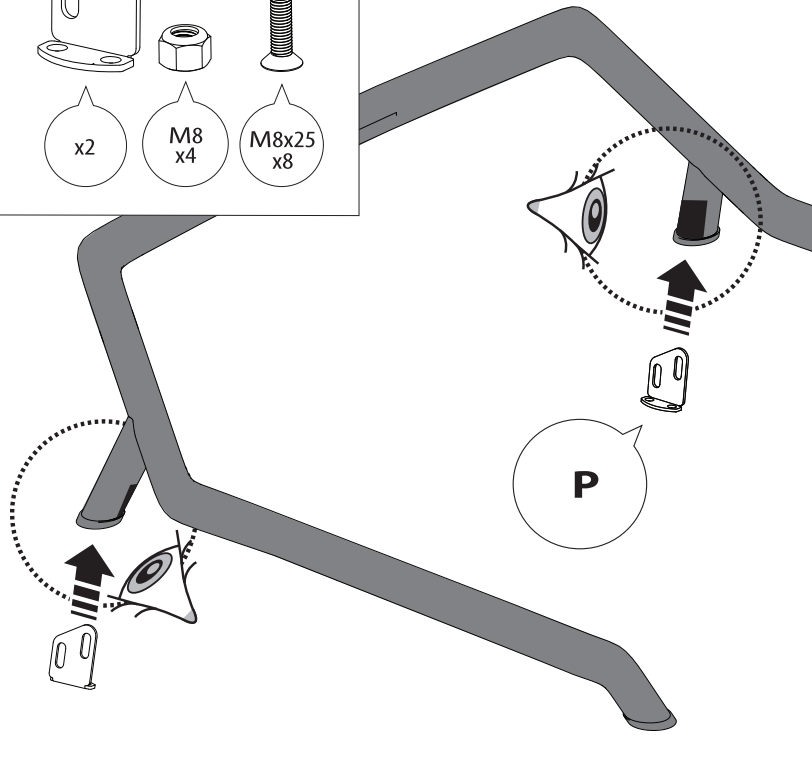
x2

M8

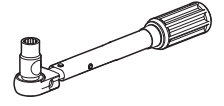
x4

M8x25

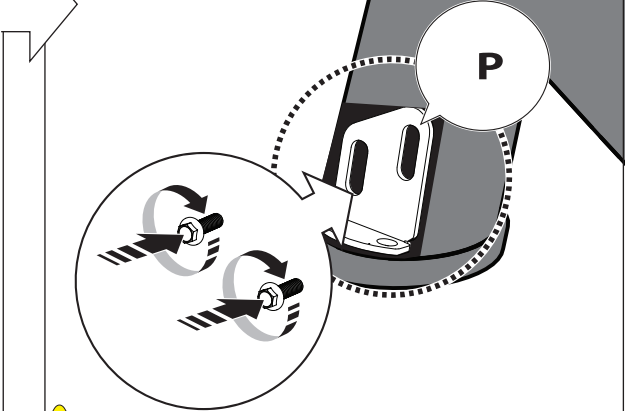
x8



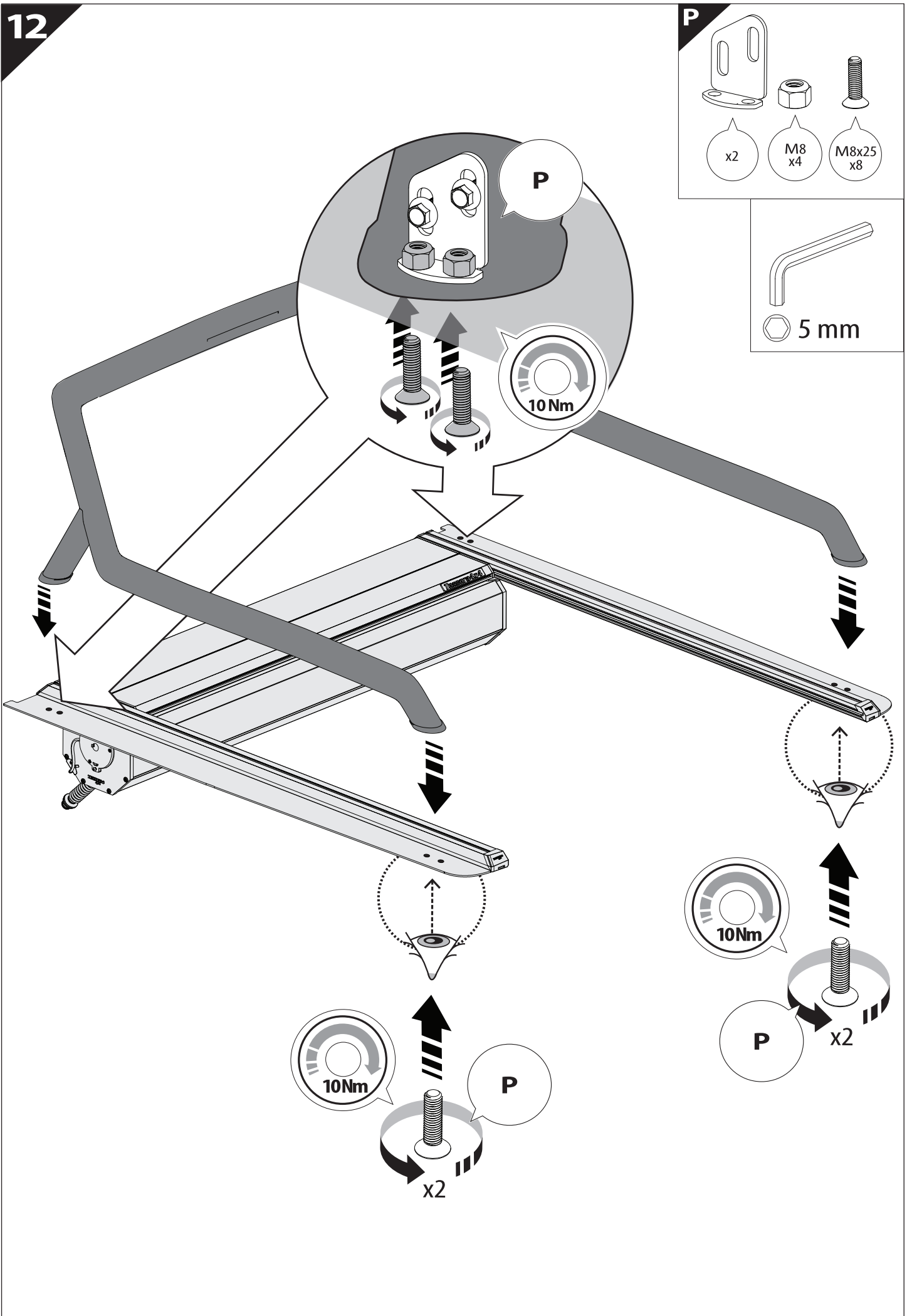
11.2


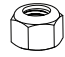
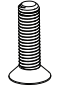


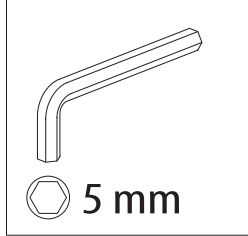
10 mm



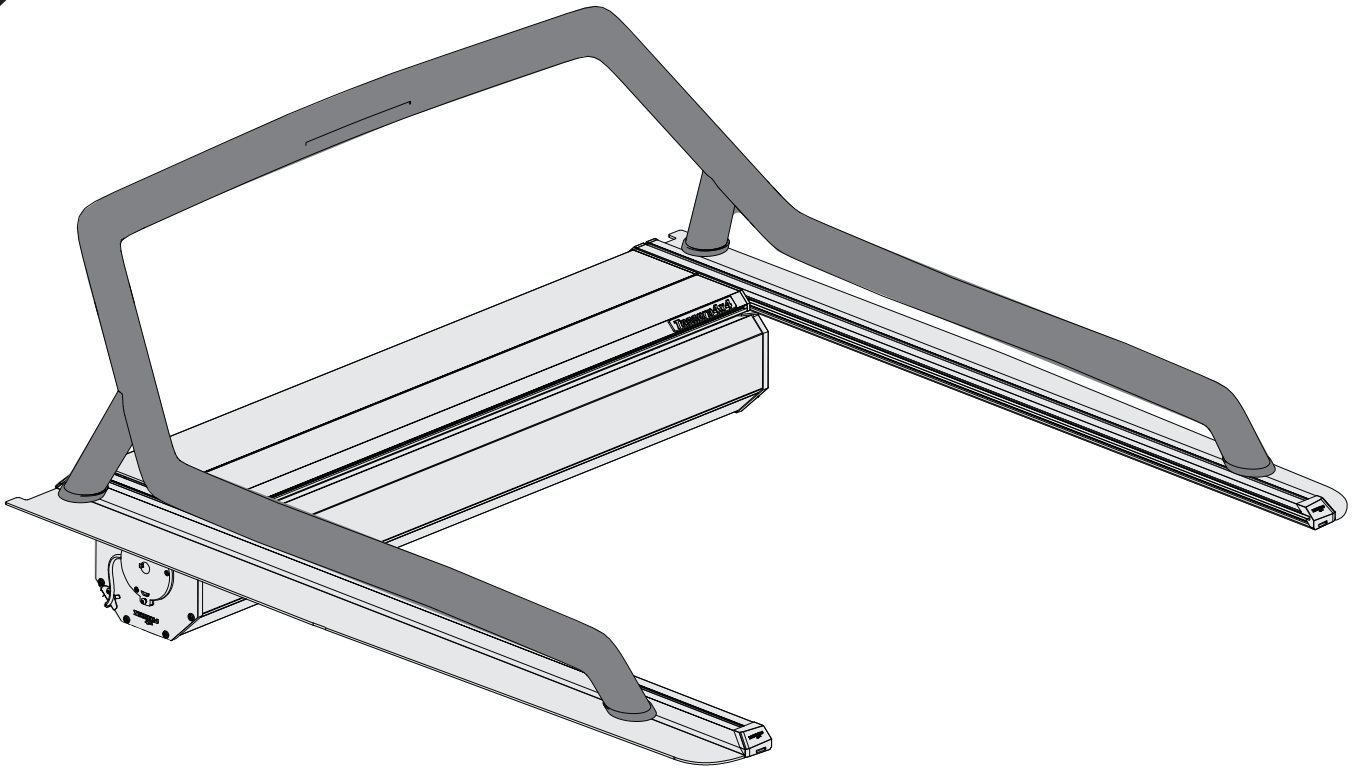
 FROM STEP 7 



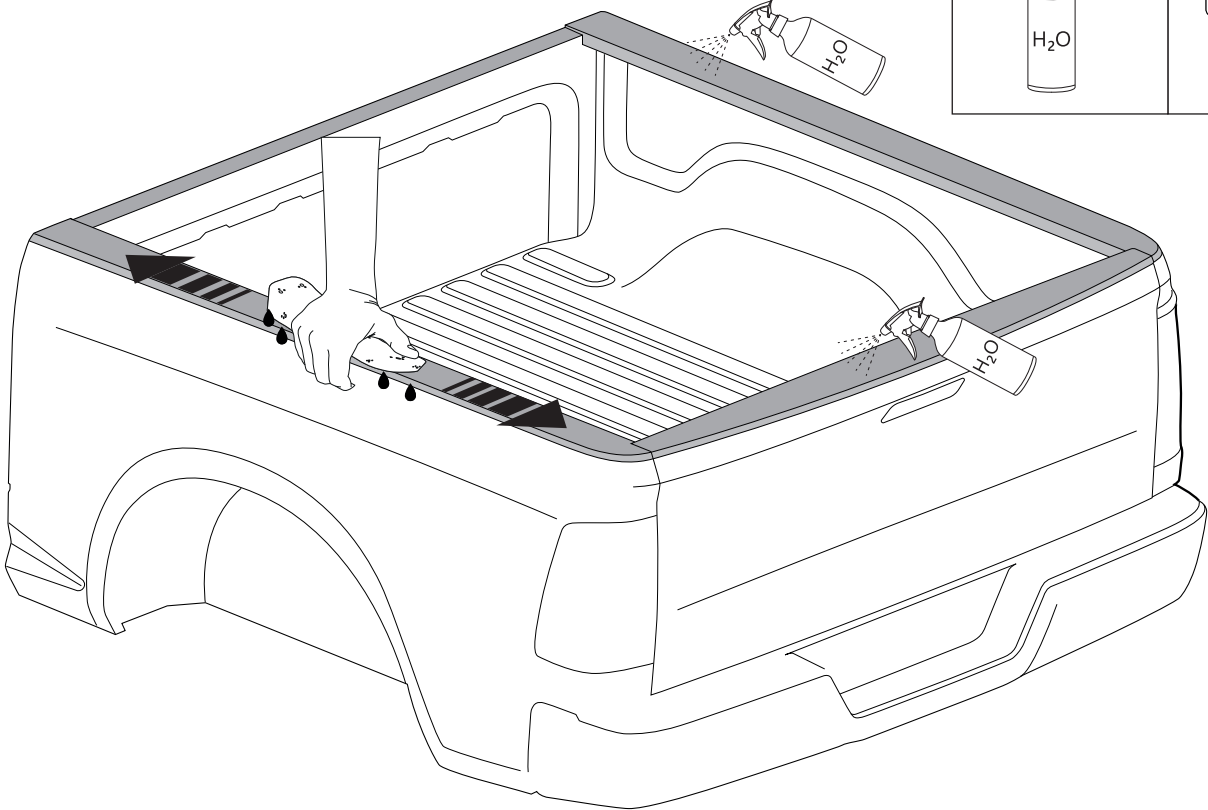
- P**
-  x2
 -  M8 x4
 -  M8x25 x8



13

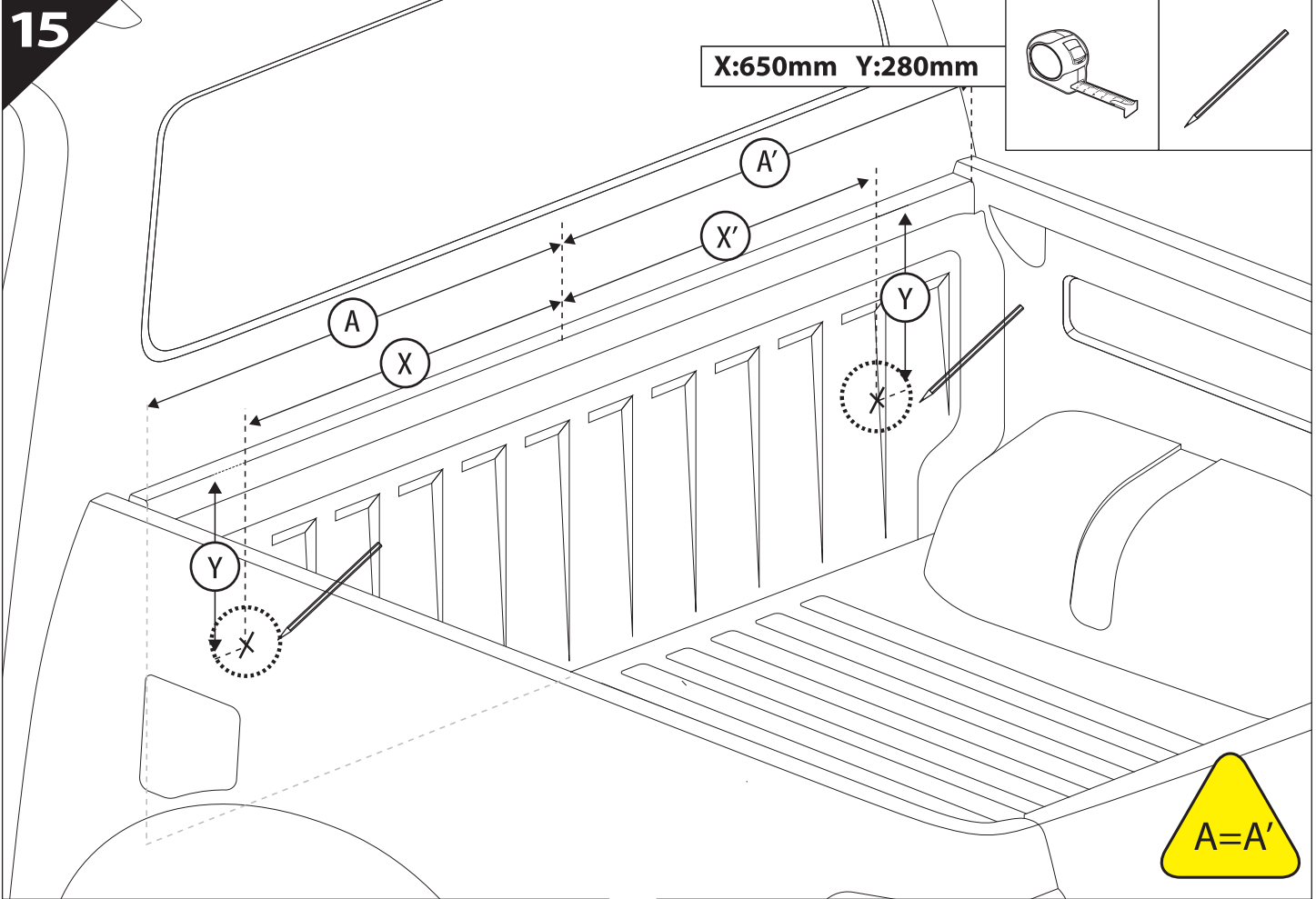
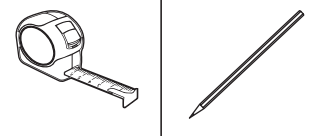


14

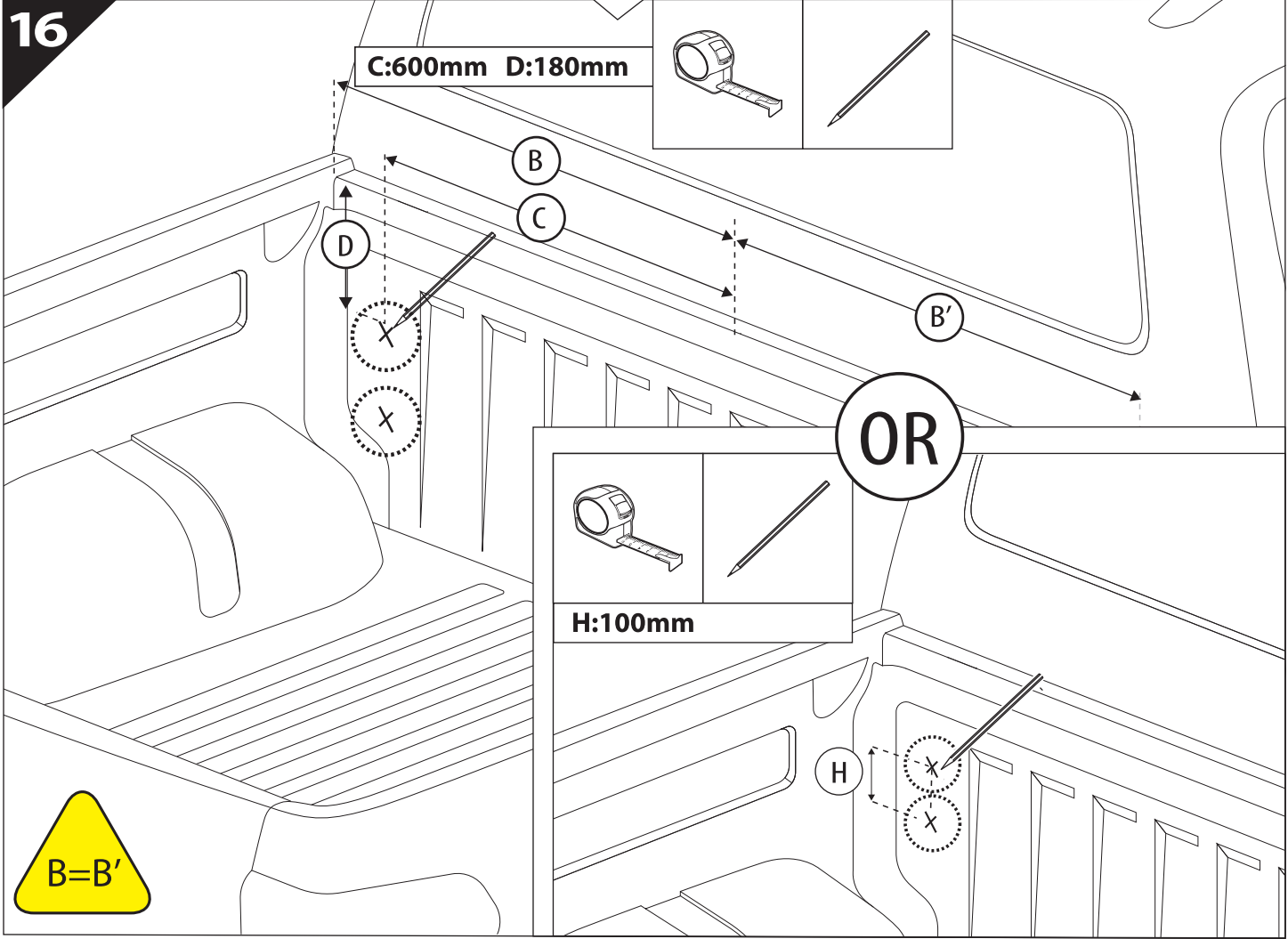
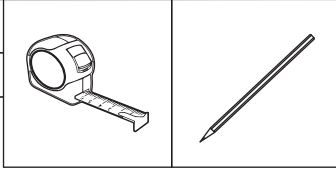


15

X:650mm Y:280mm



C:600mm D:180mm



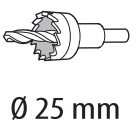
17

CAUTION

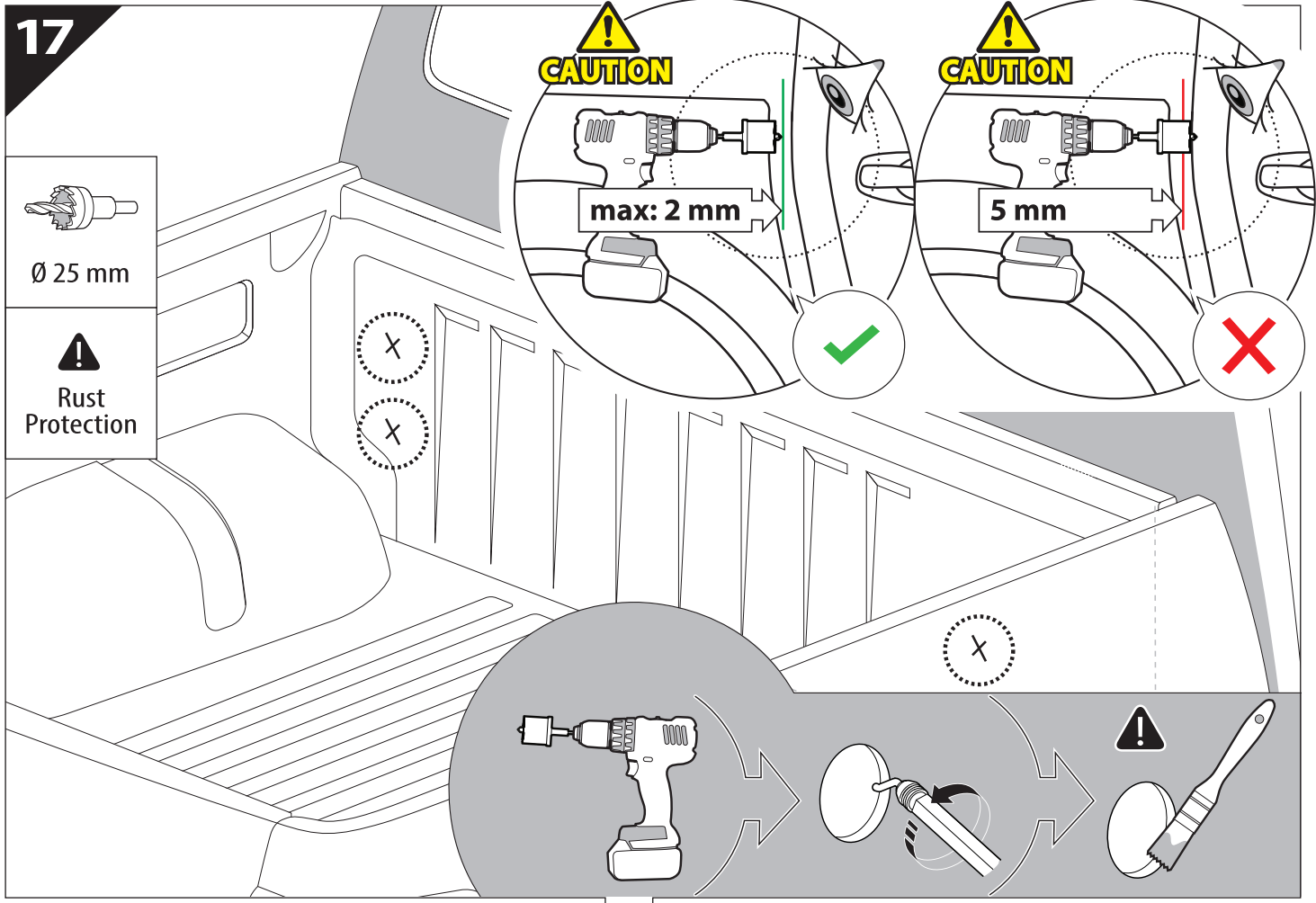
CAUTION

max: 2 mm

5 mm

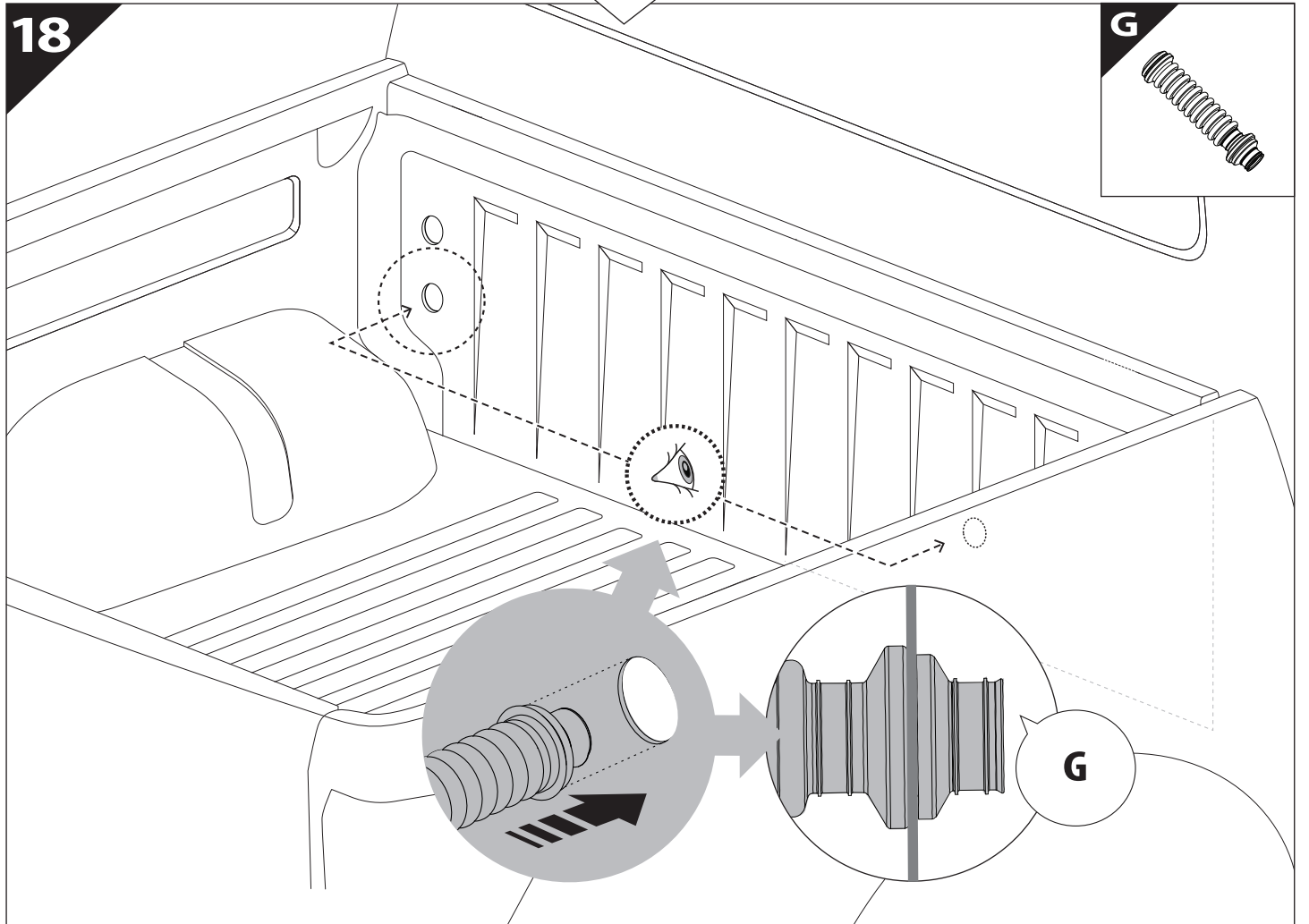


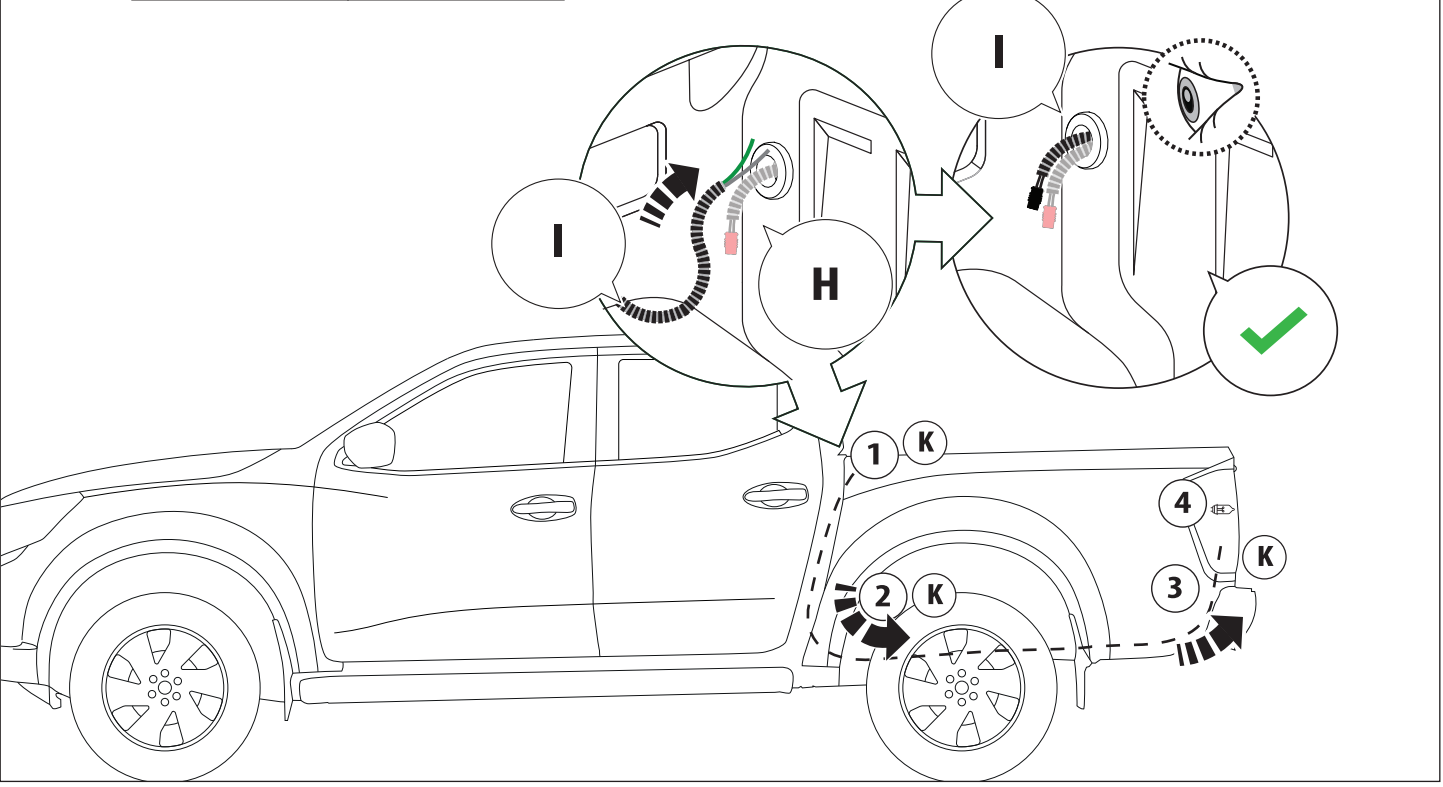
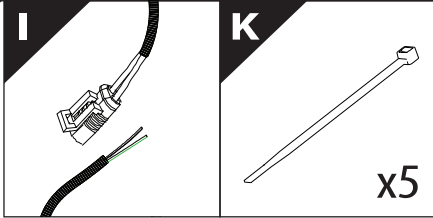
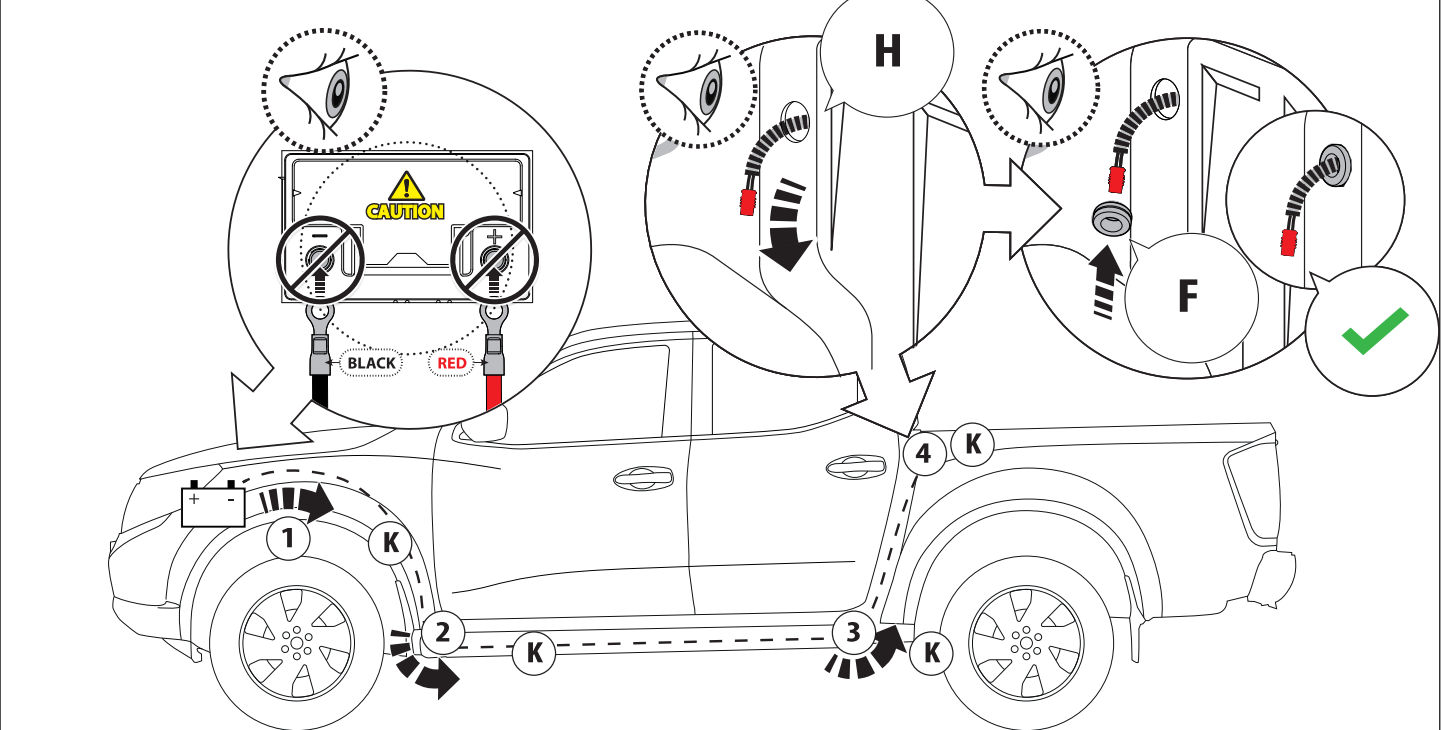
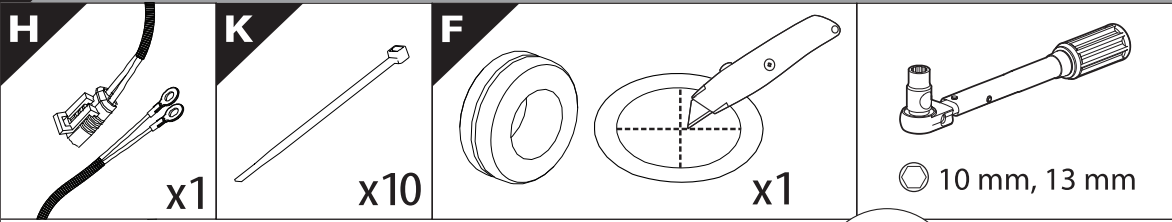
!
Rust Protection



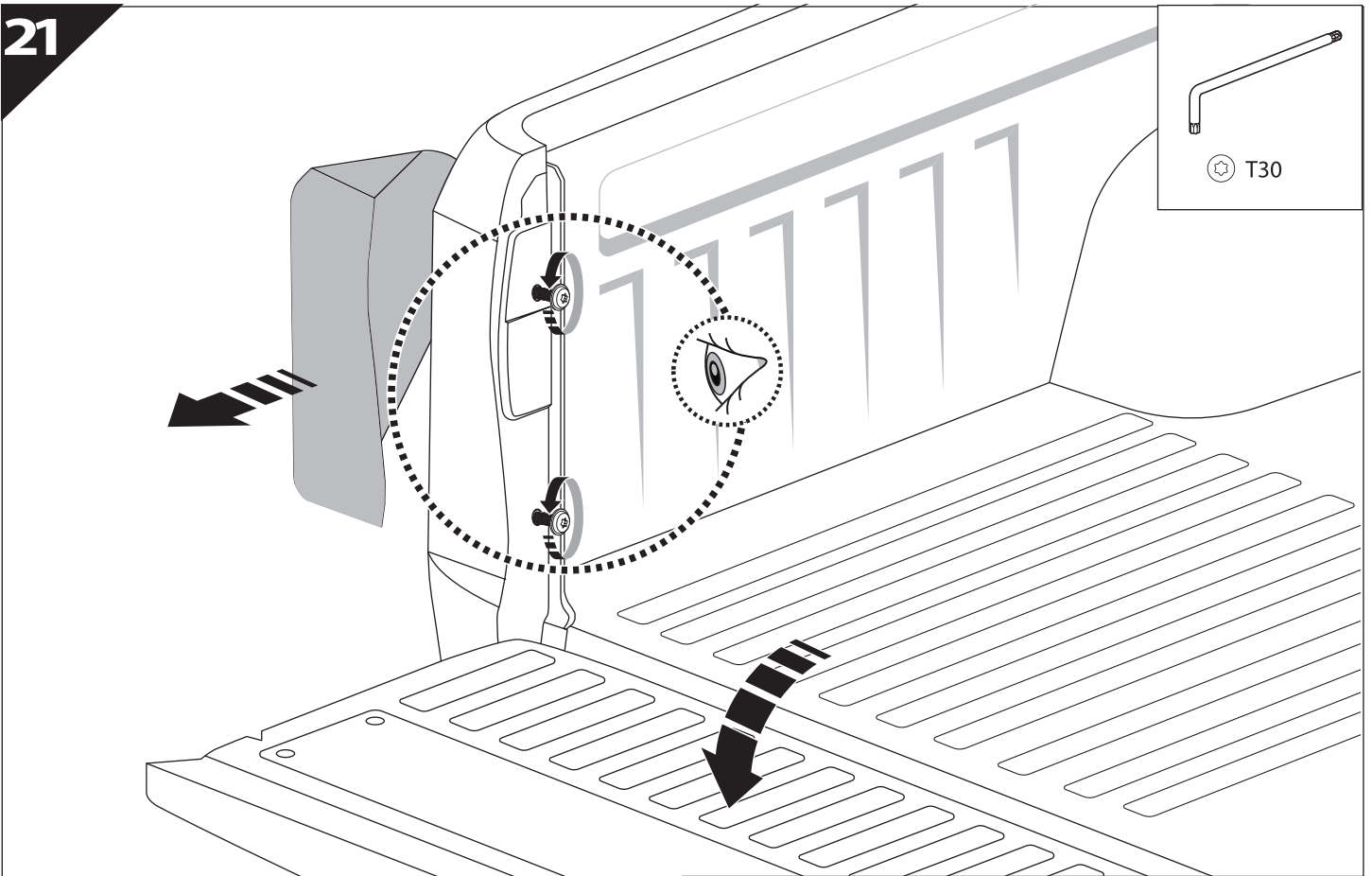
18

G

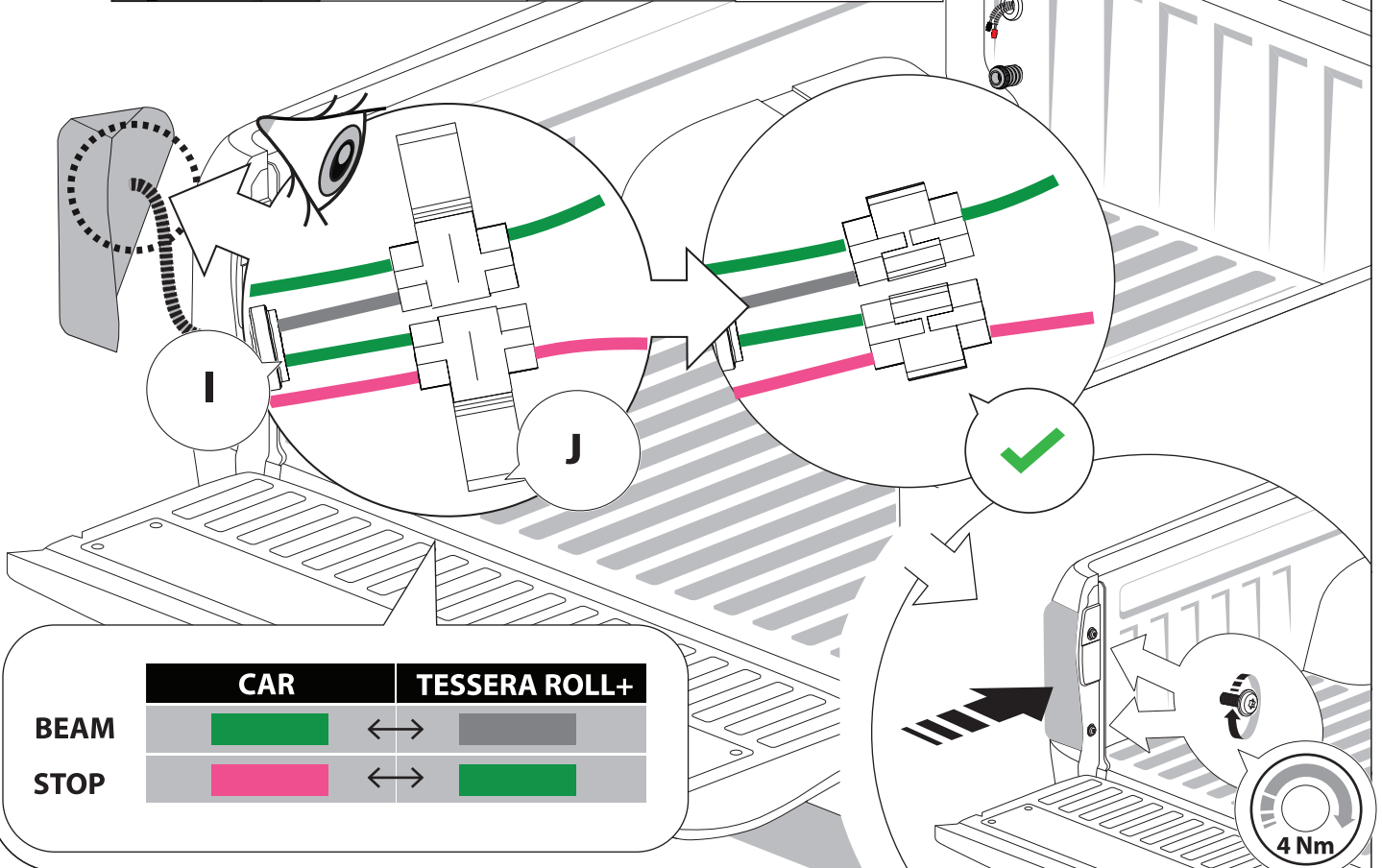
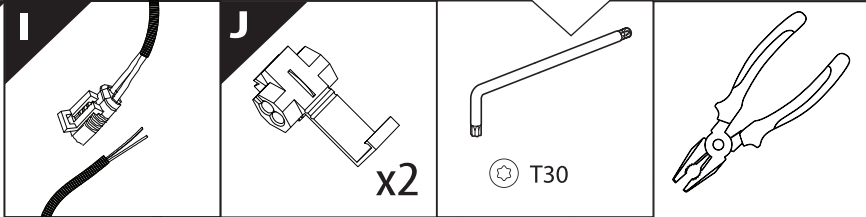




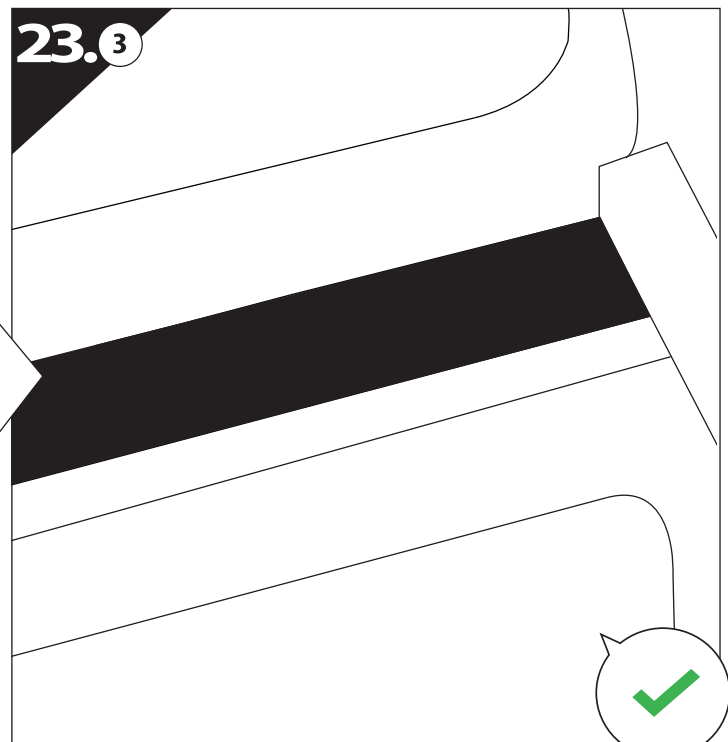
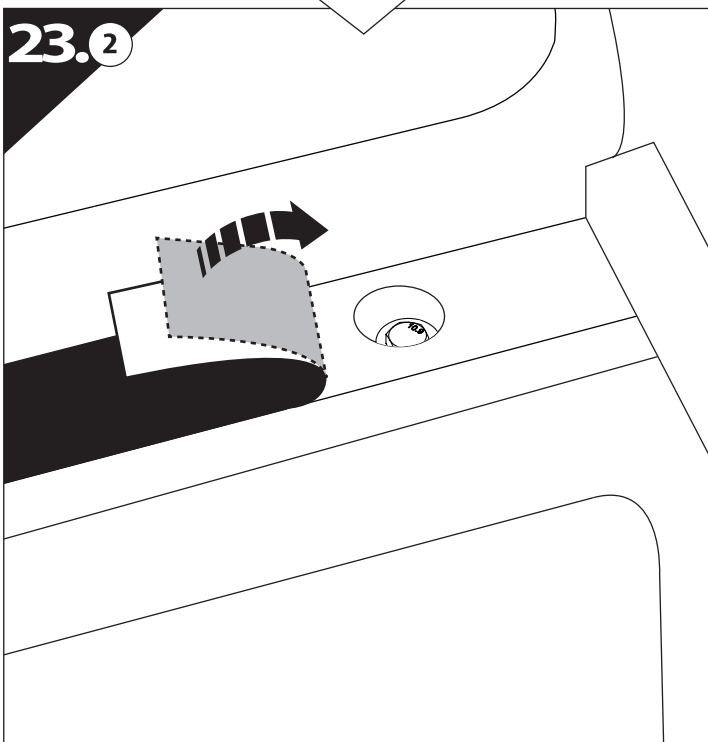
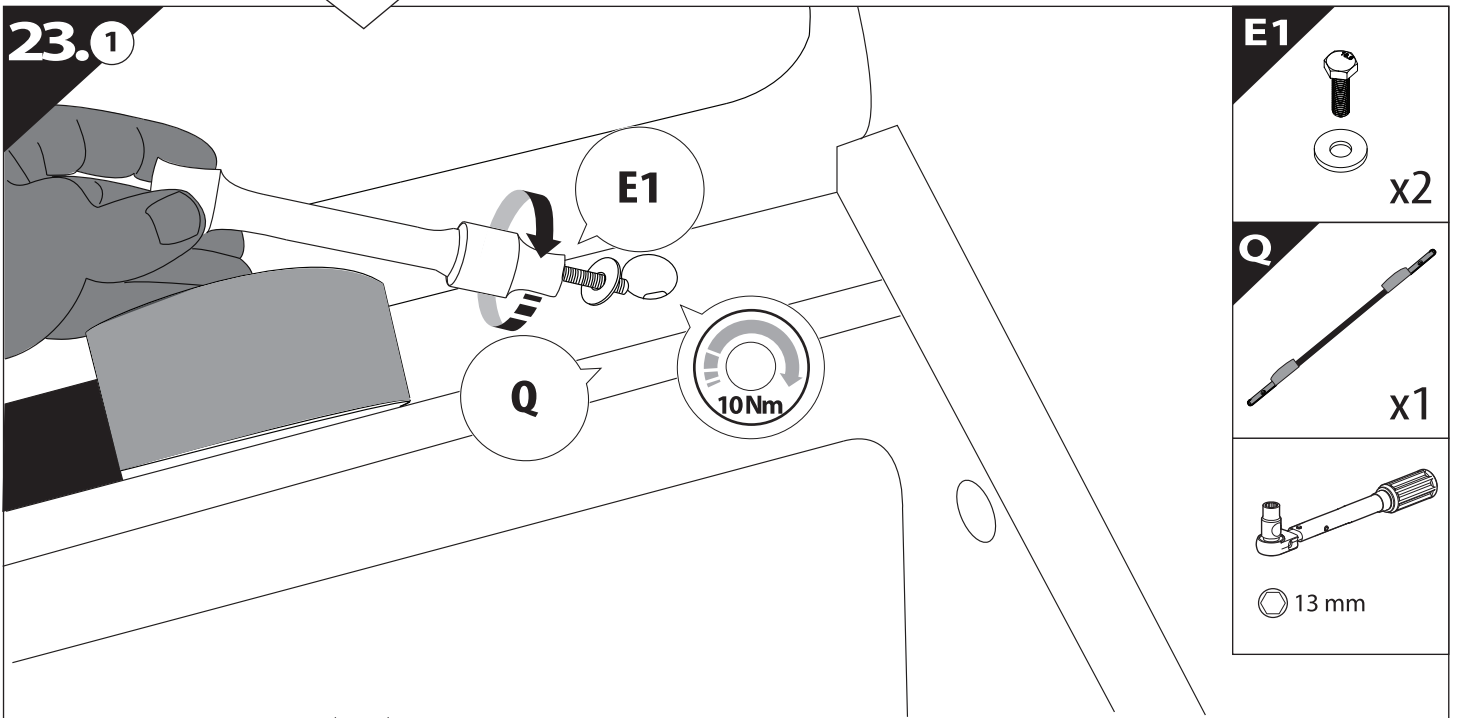
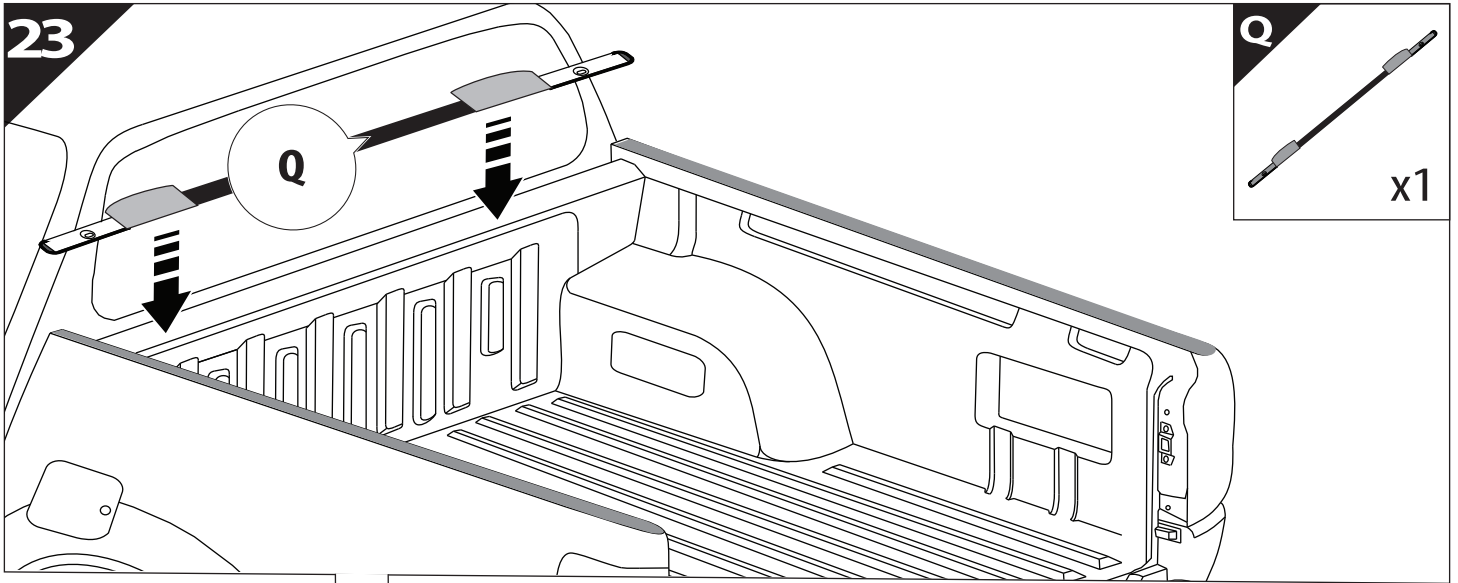
21



22

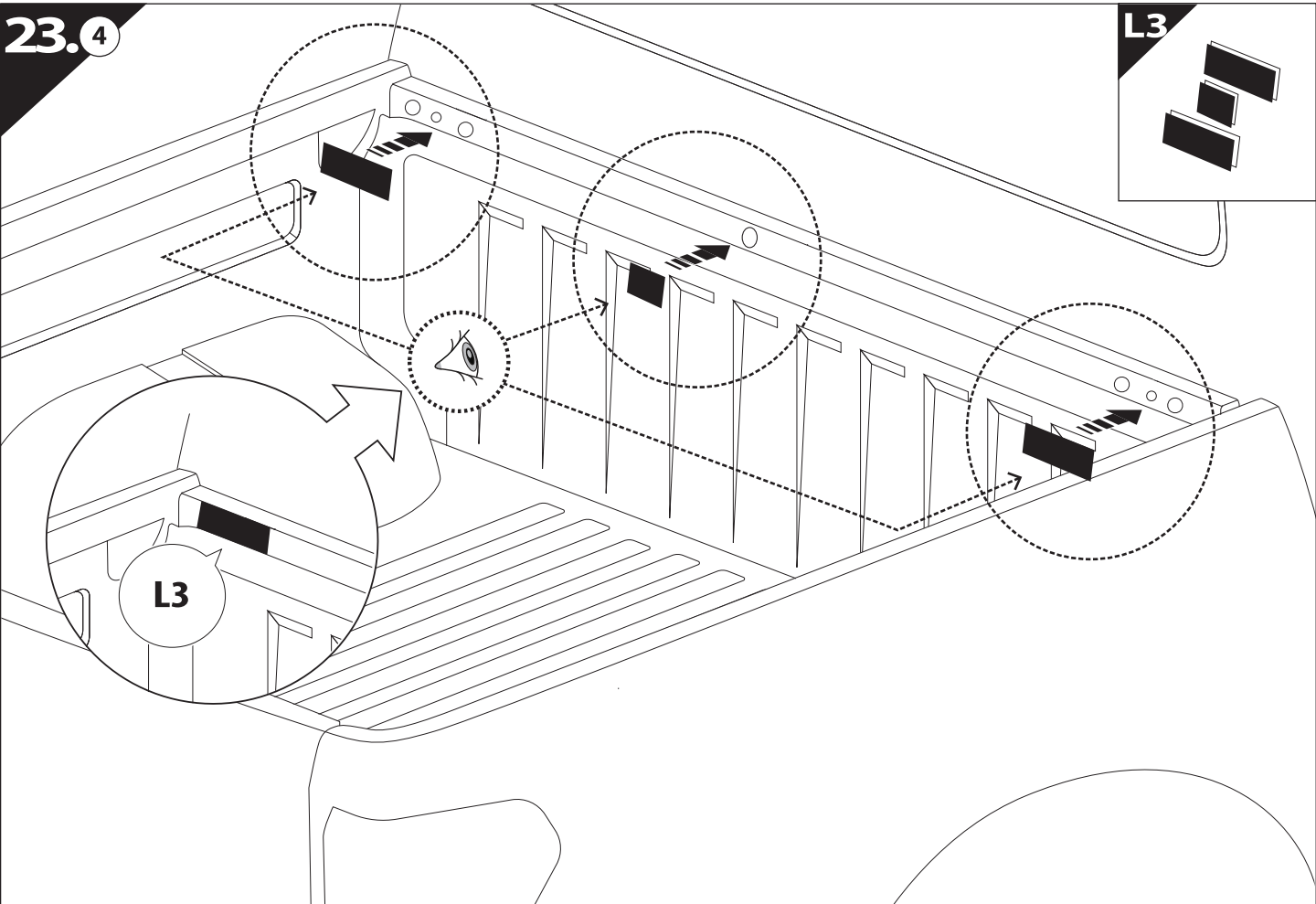


	CAR		TESSERA ROLL+
BEAM		↔	
STOP		↔	



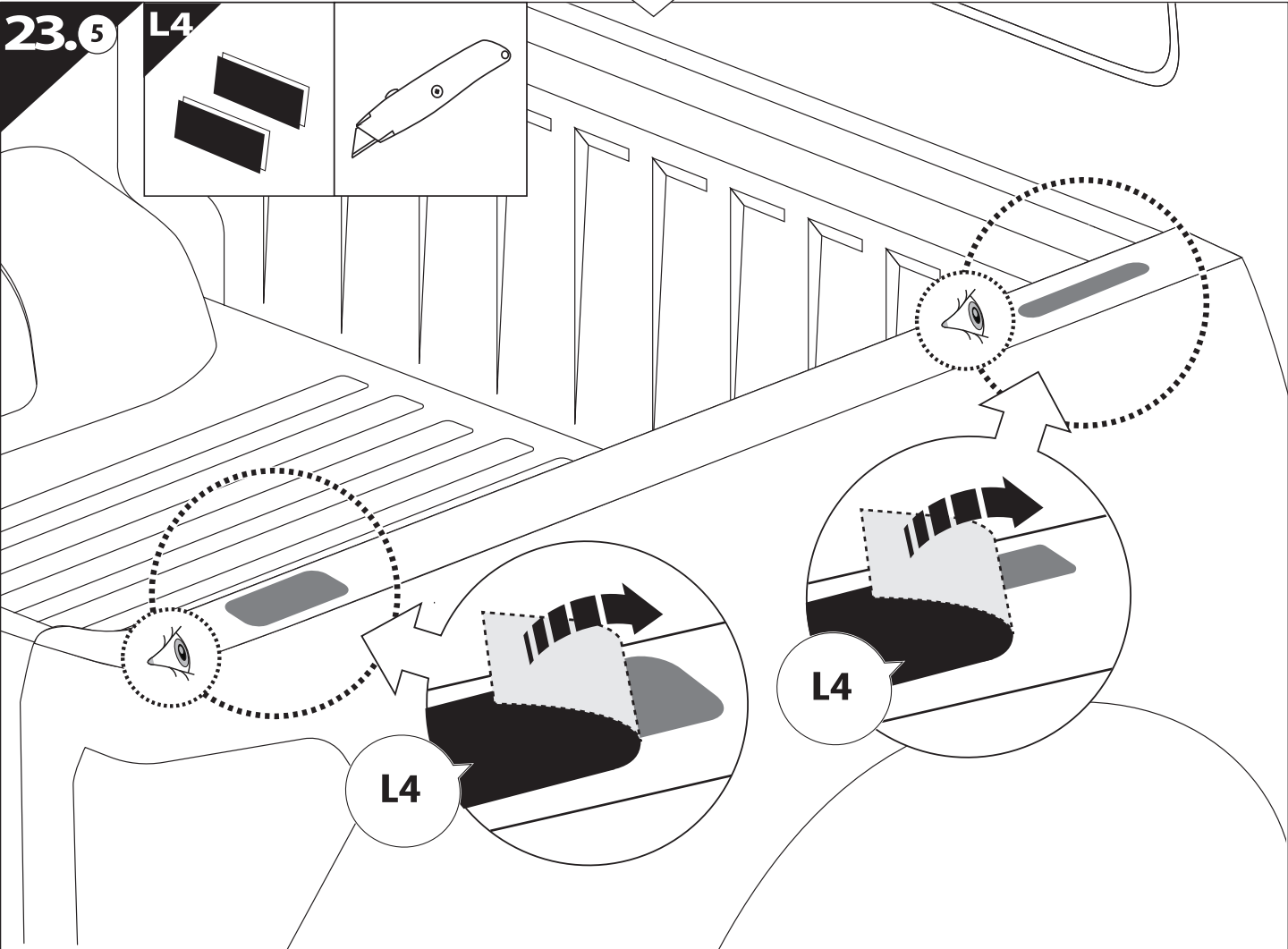
23.4

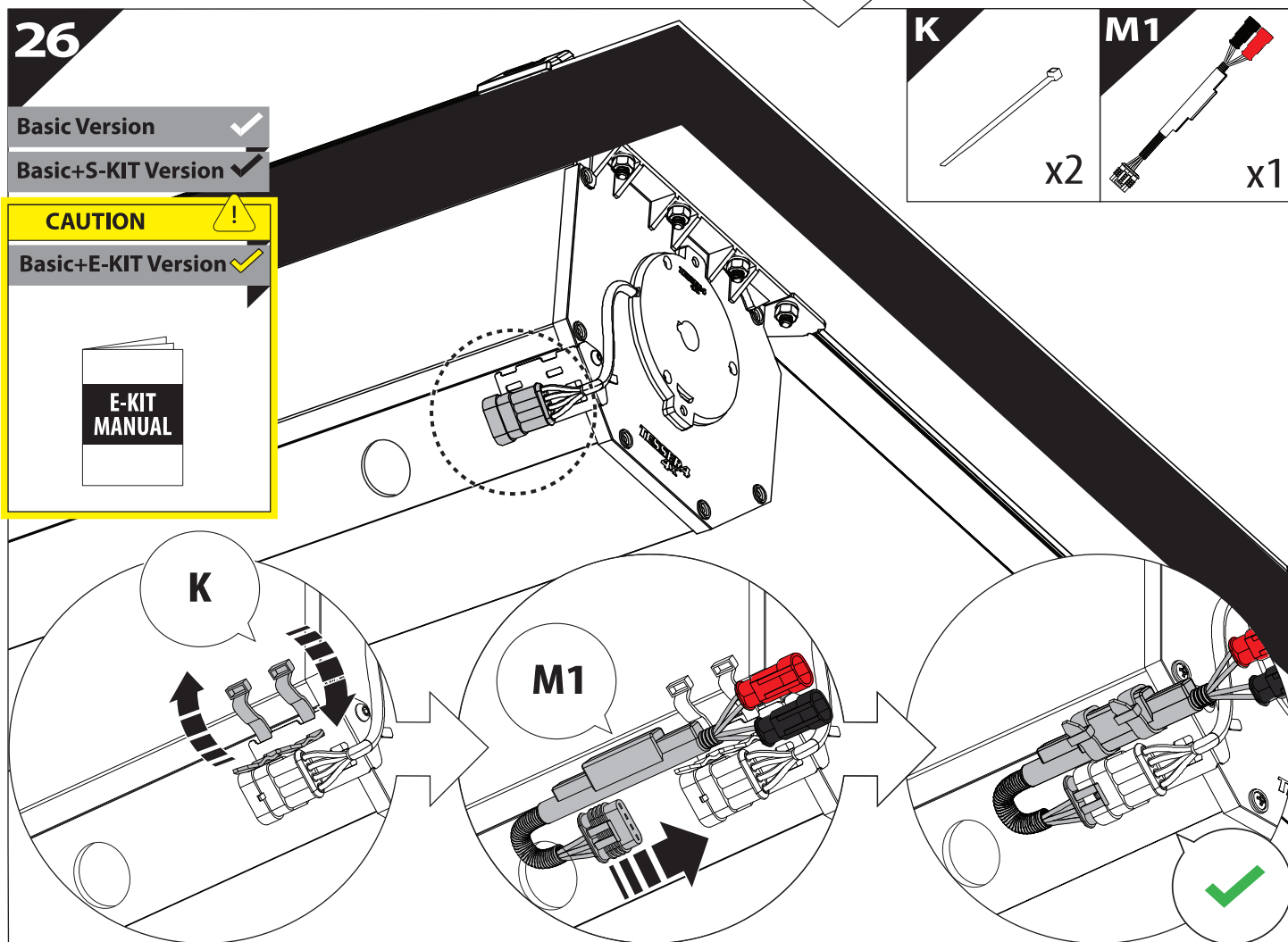
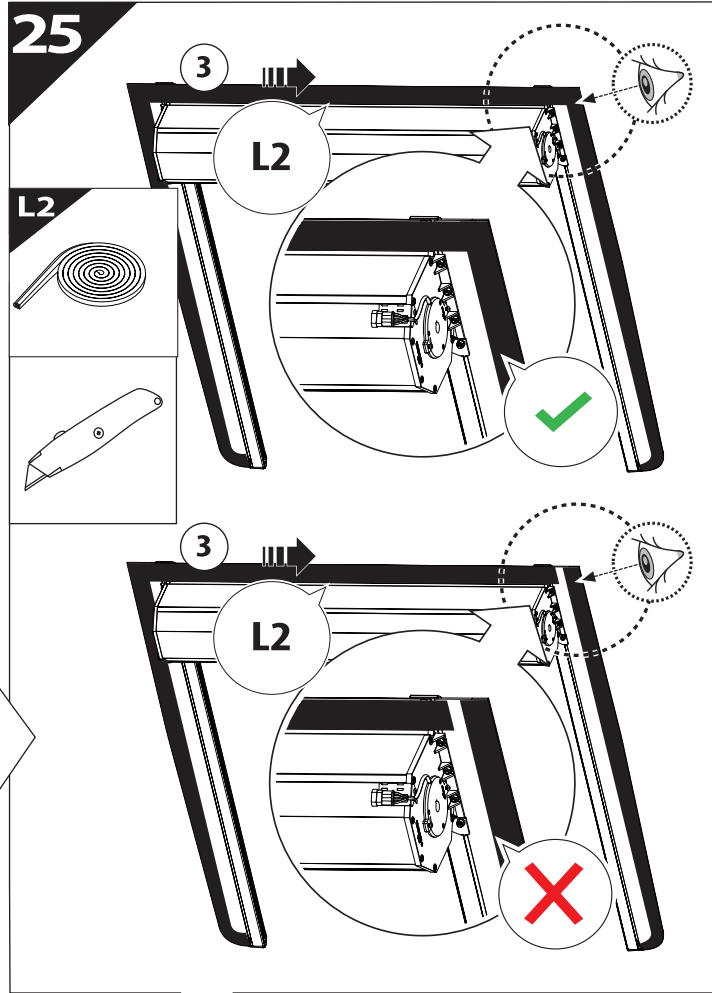
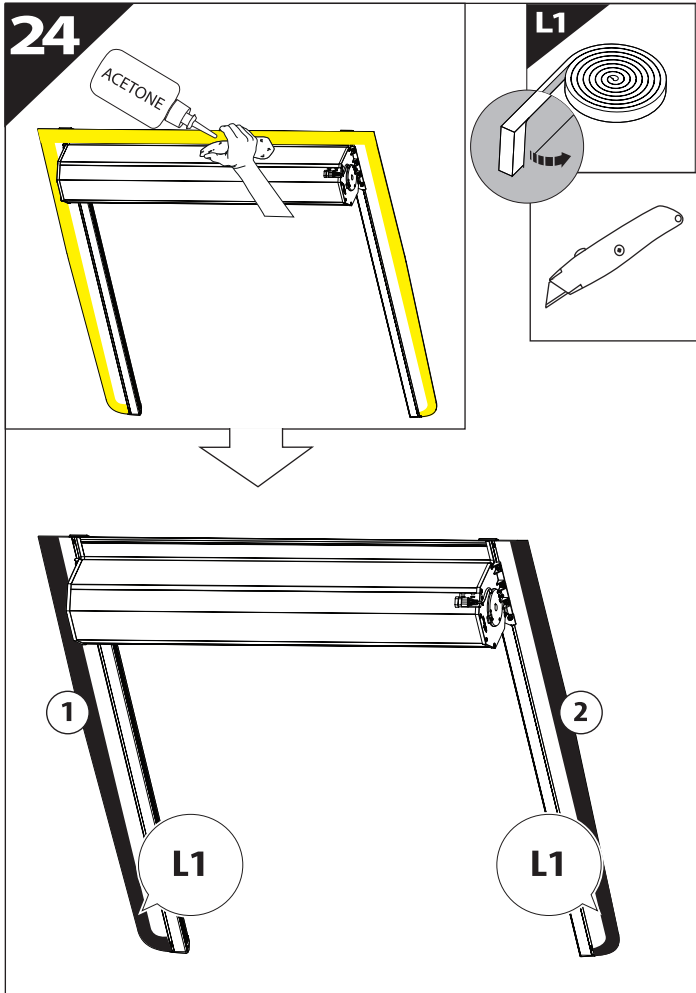
L3

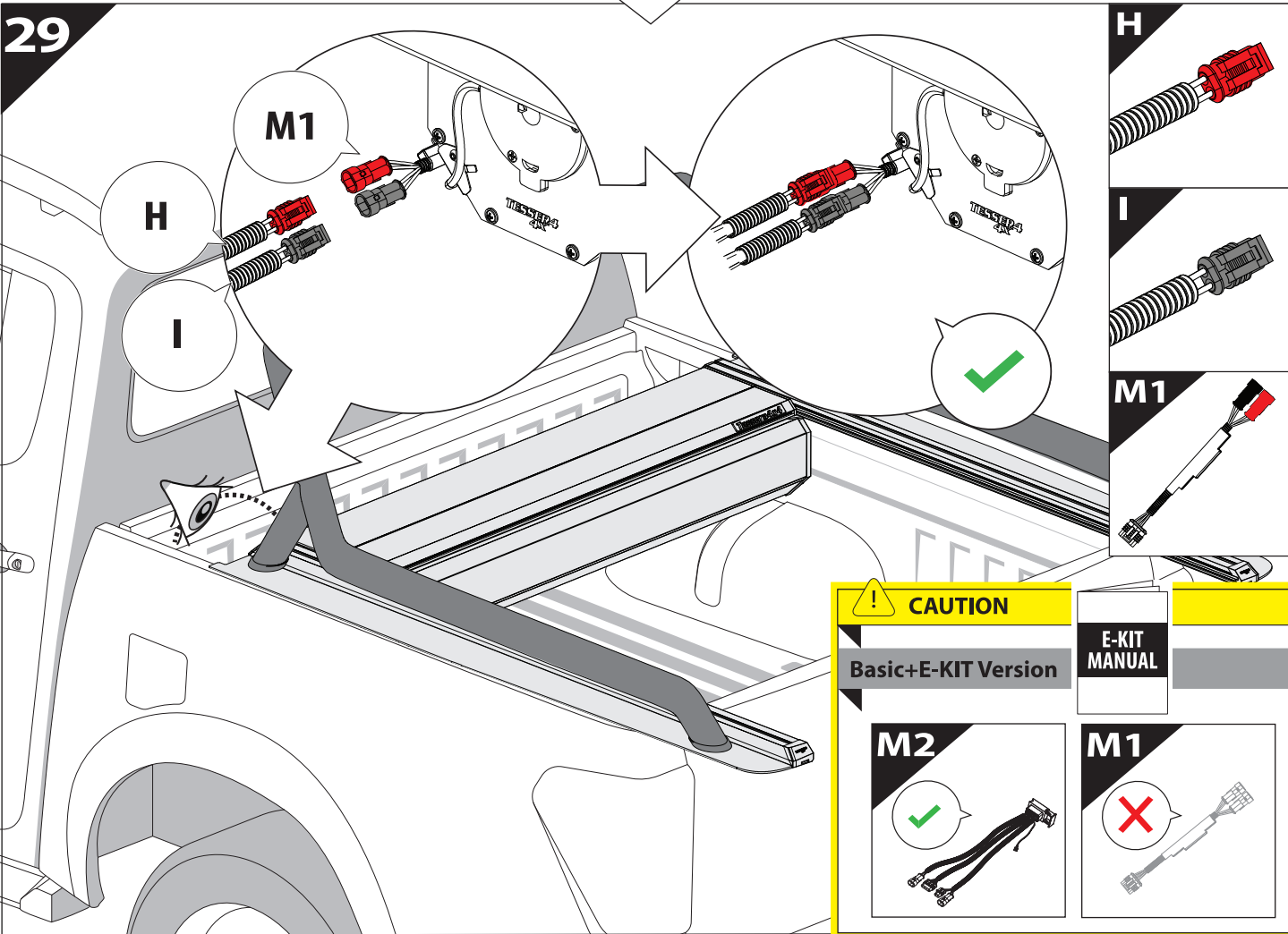
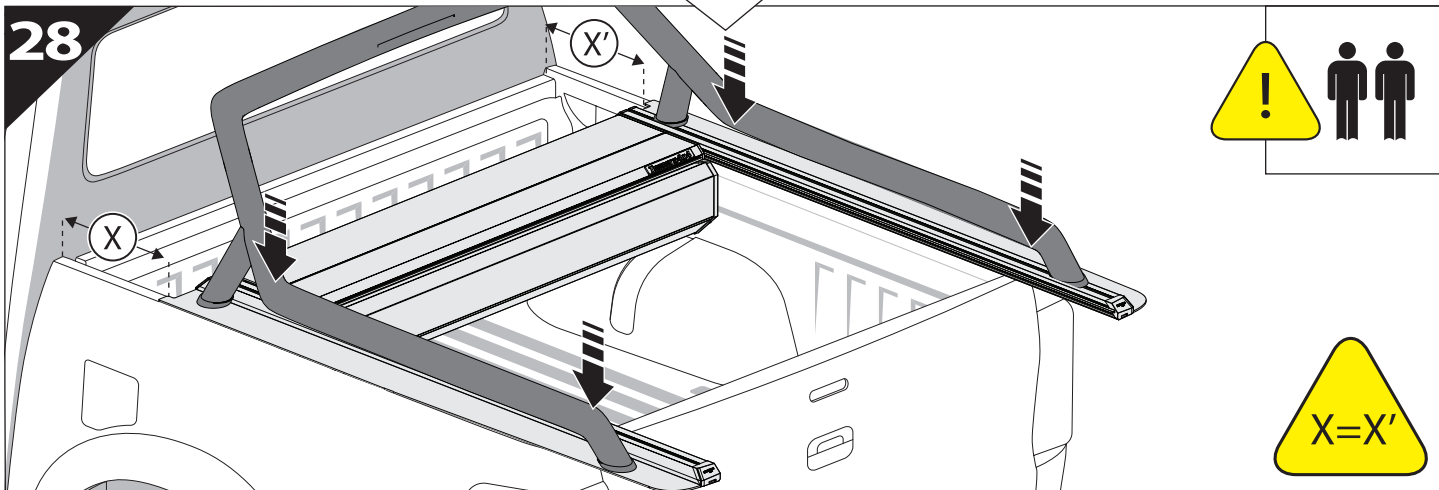
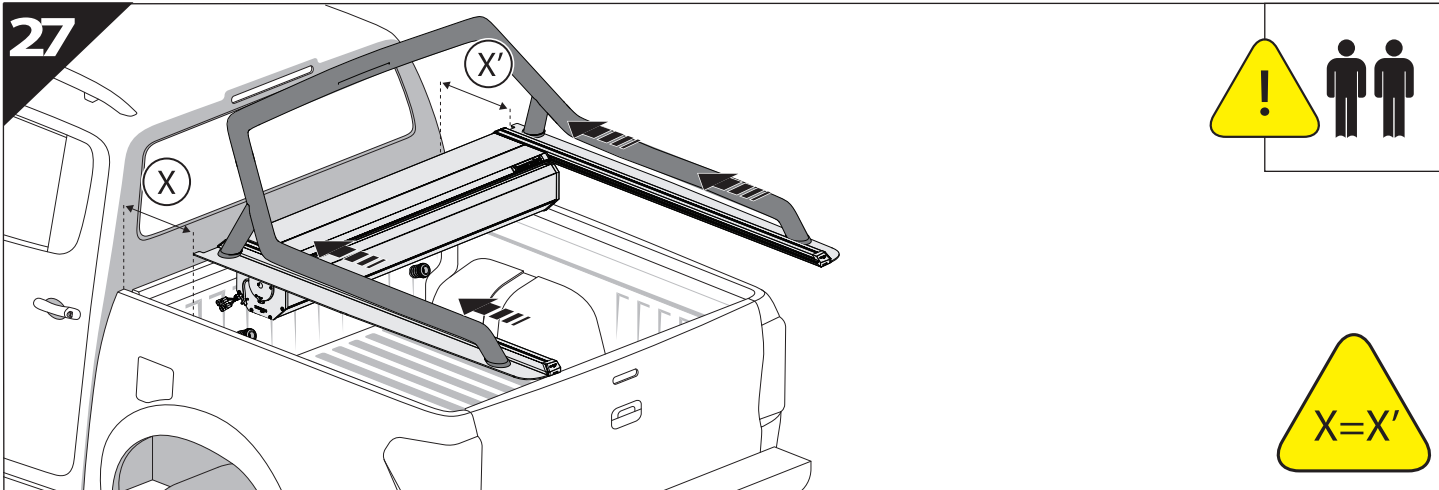


23.5

L4

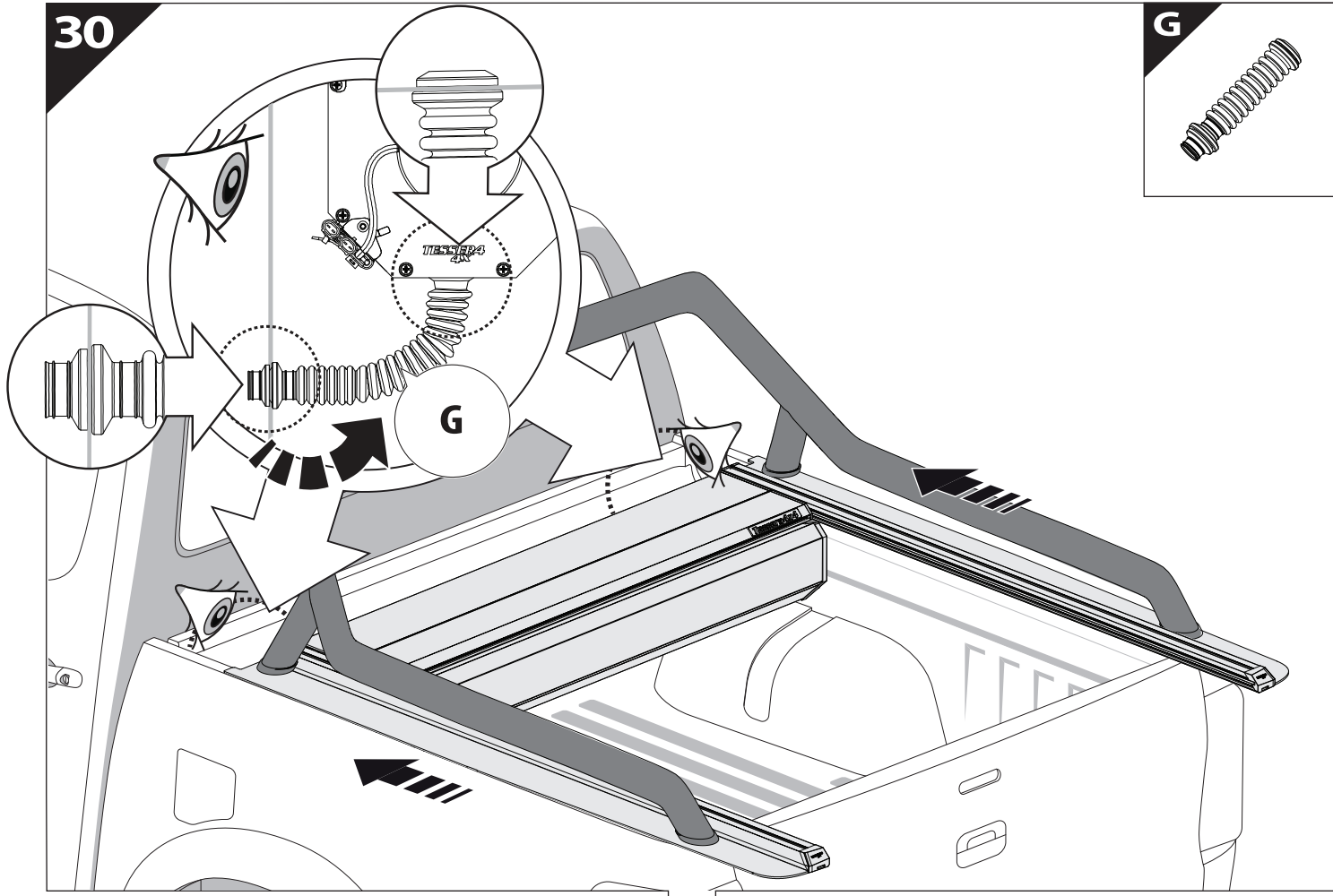




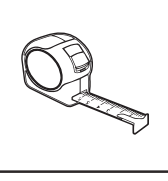
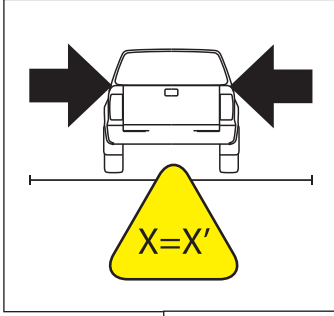
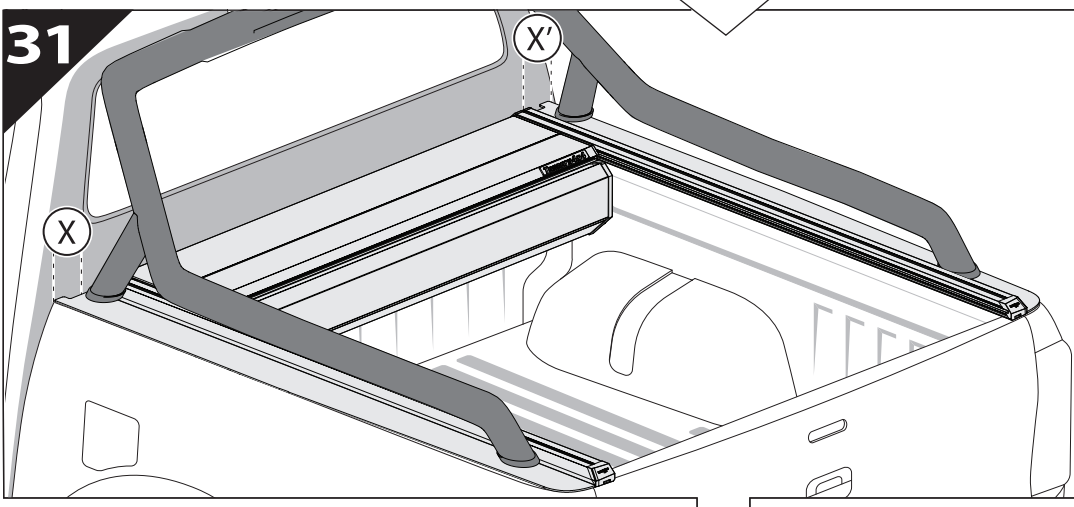


30

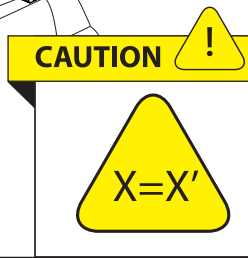
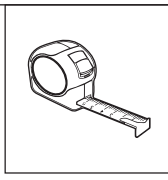
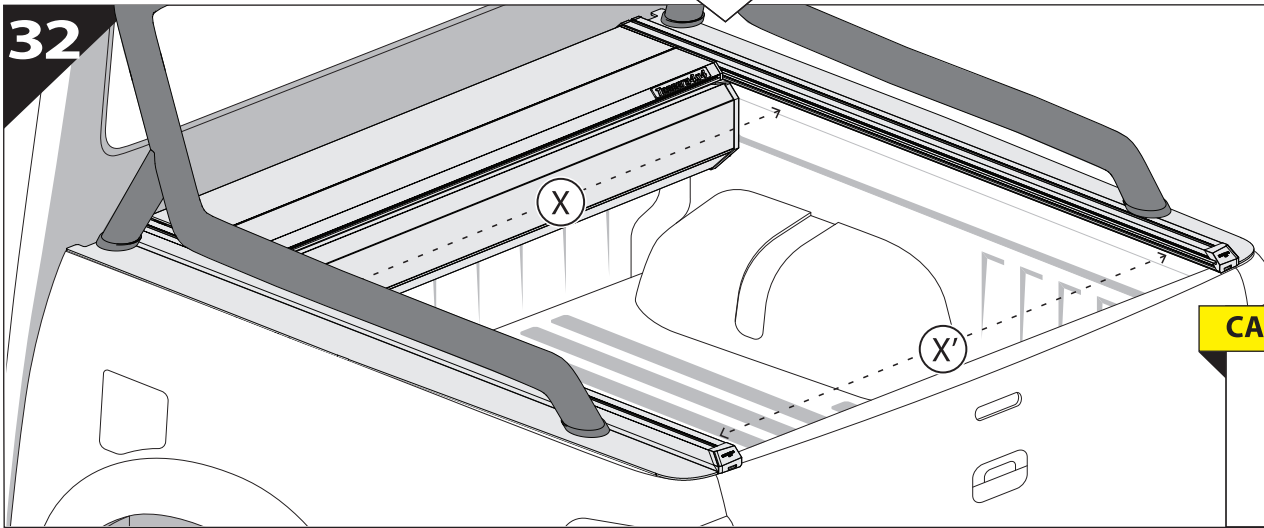
G



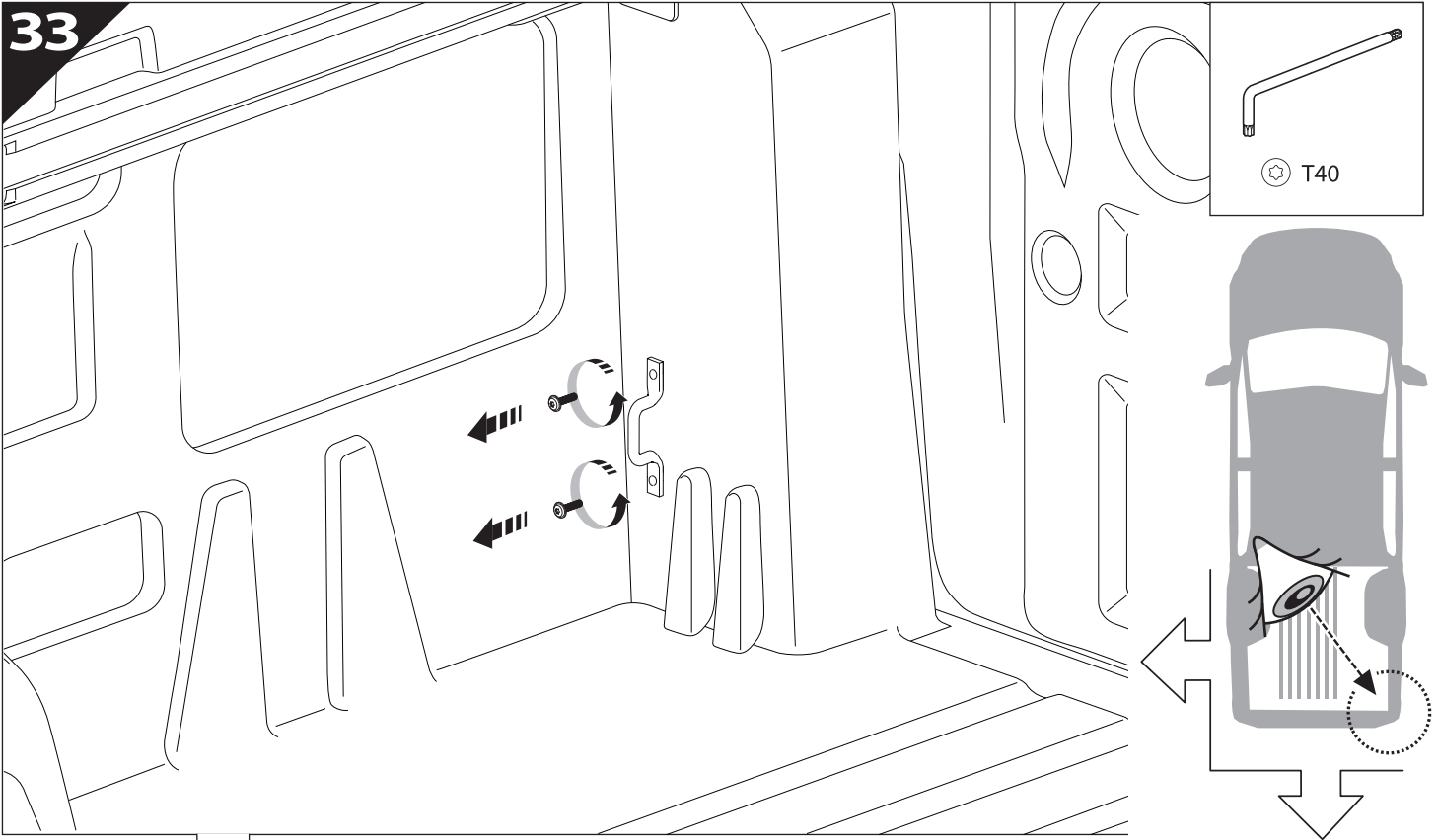
31



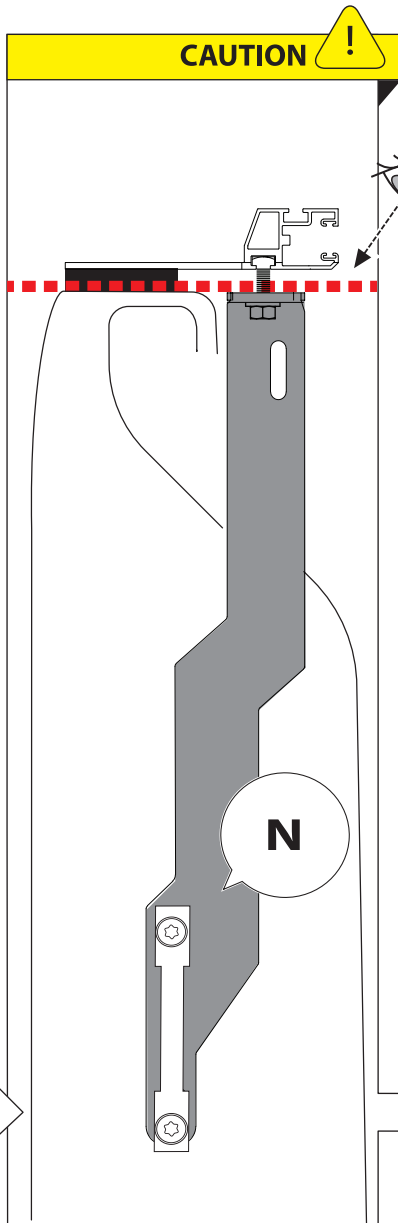
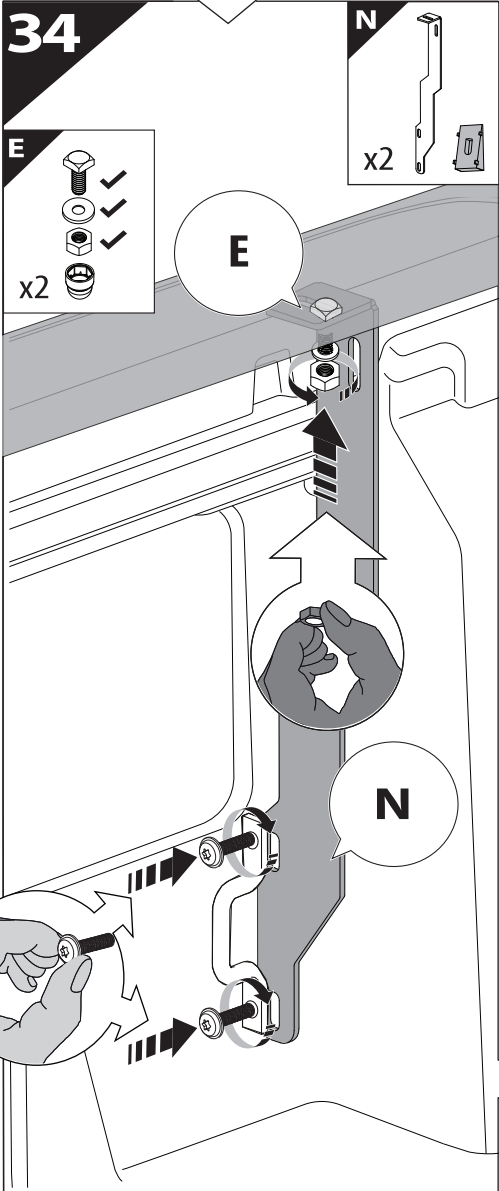
32



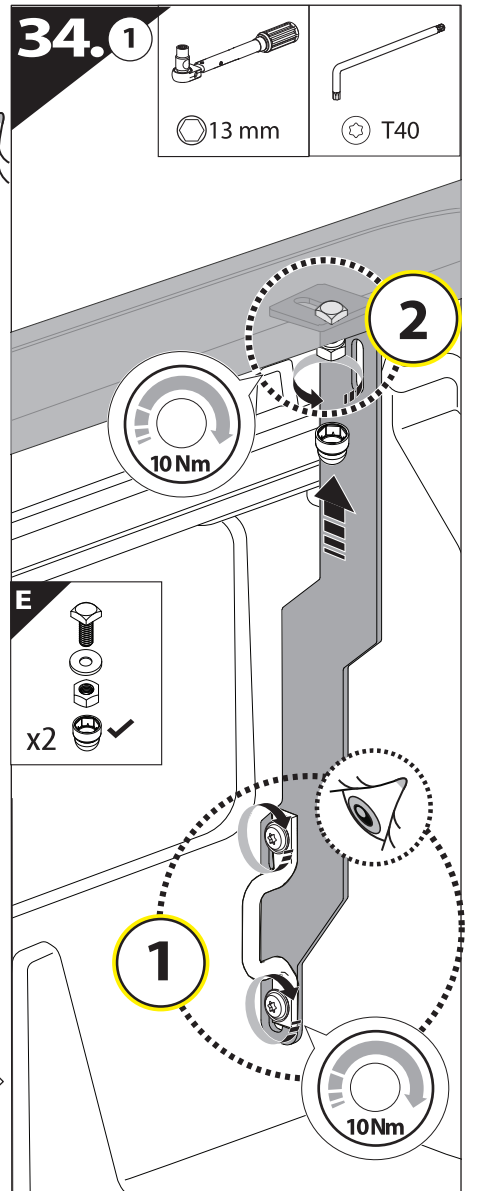
33



34



34.1

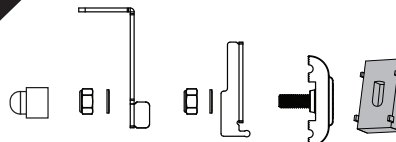


35 A



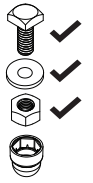
WITHOUT C - CHANNELS

O1



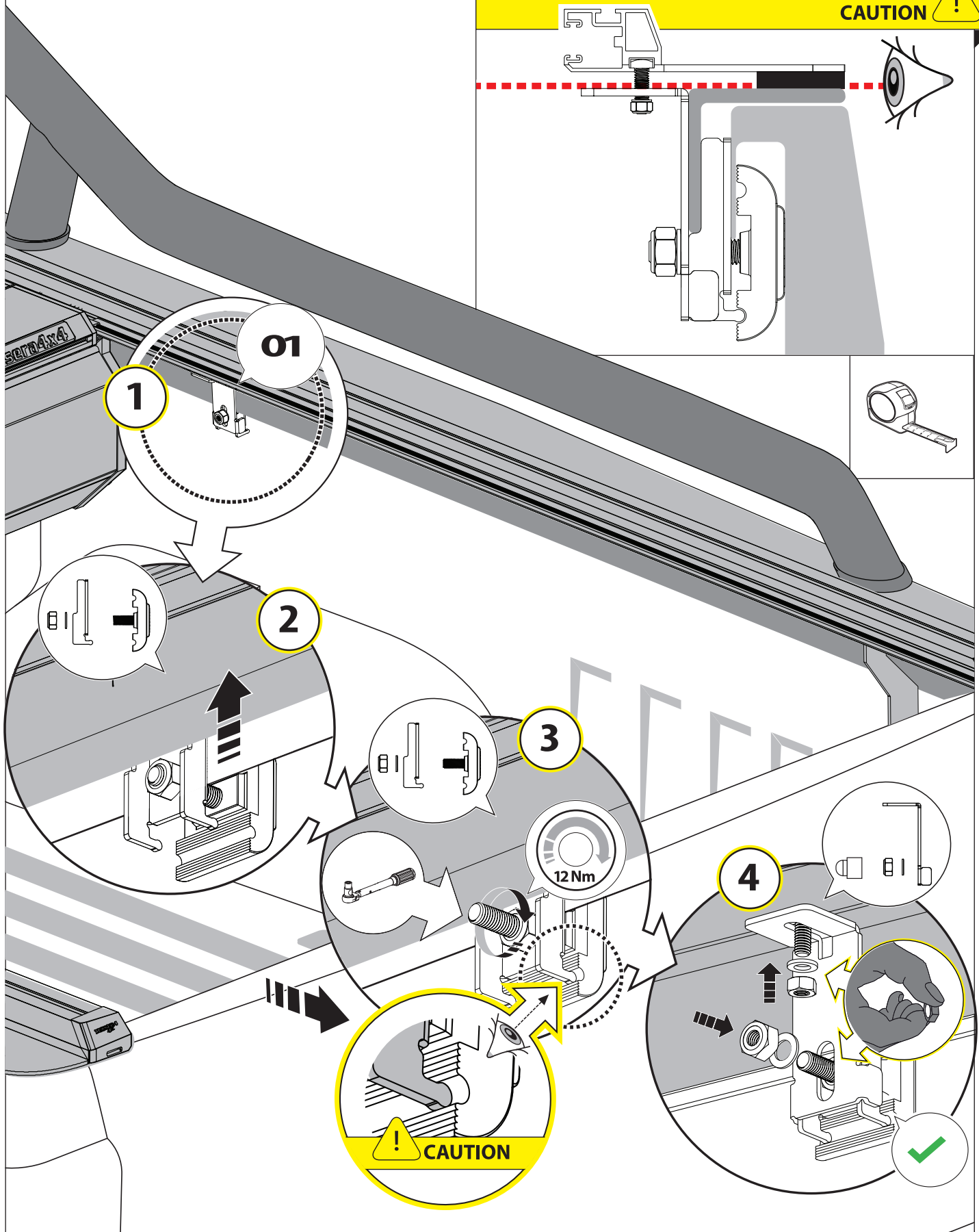
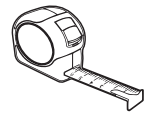
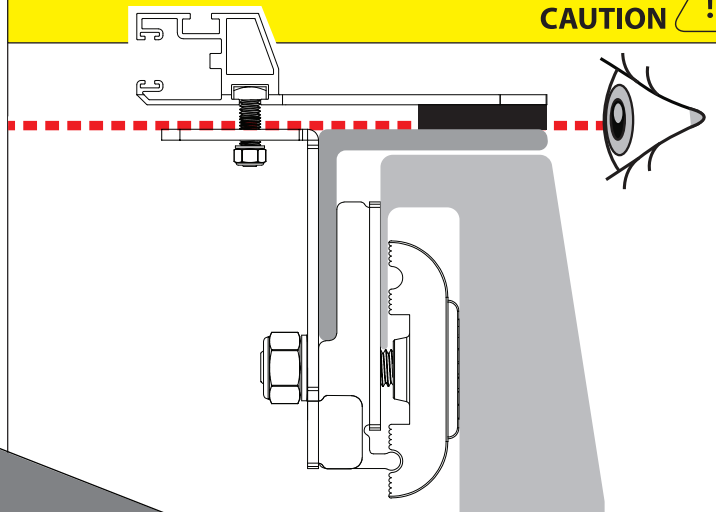
x2

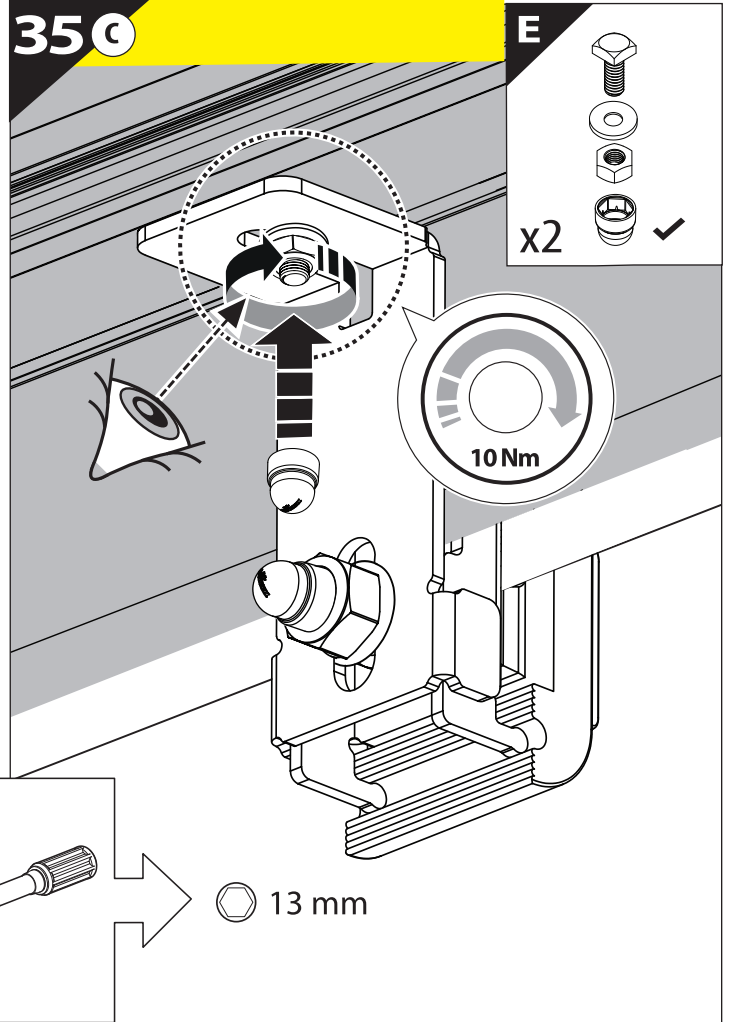
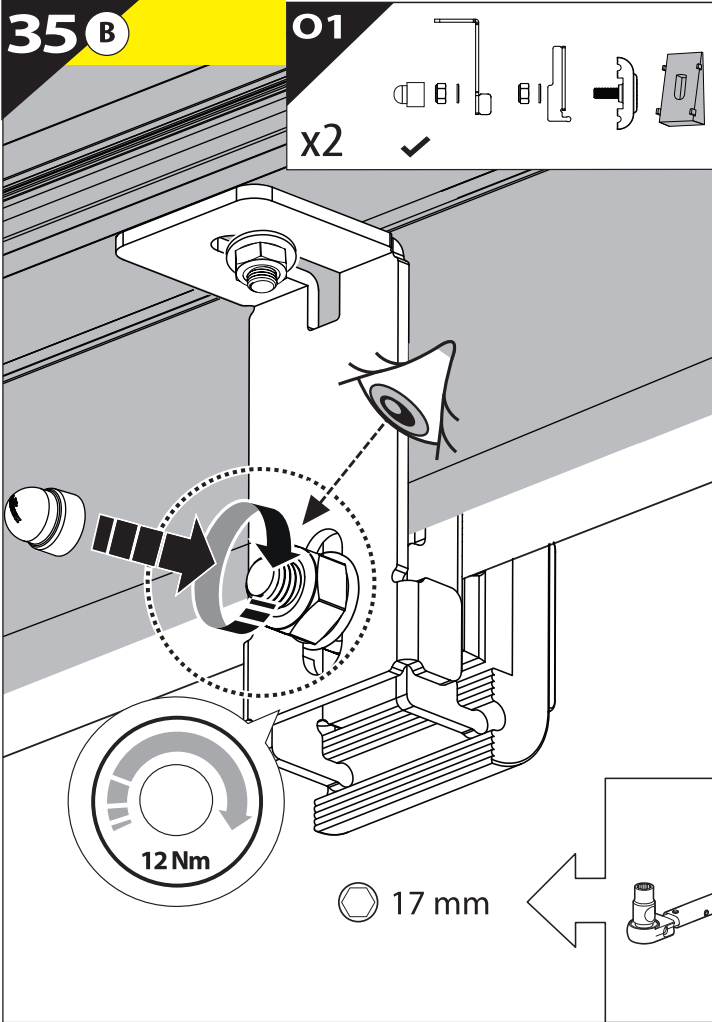
E



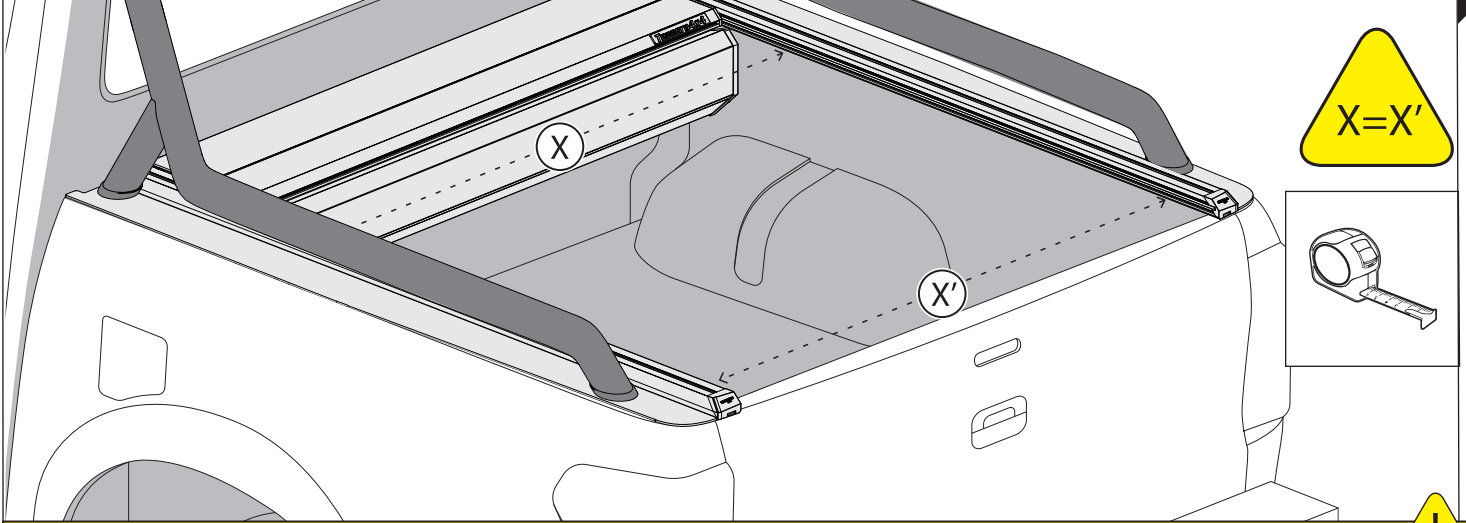
x2

CAUTION

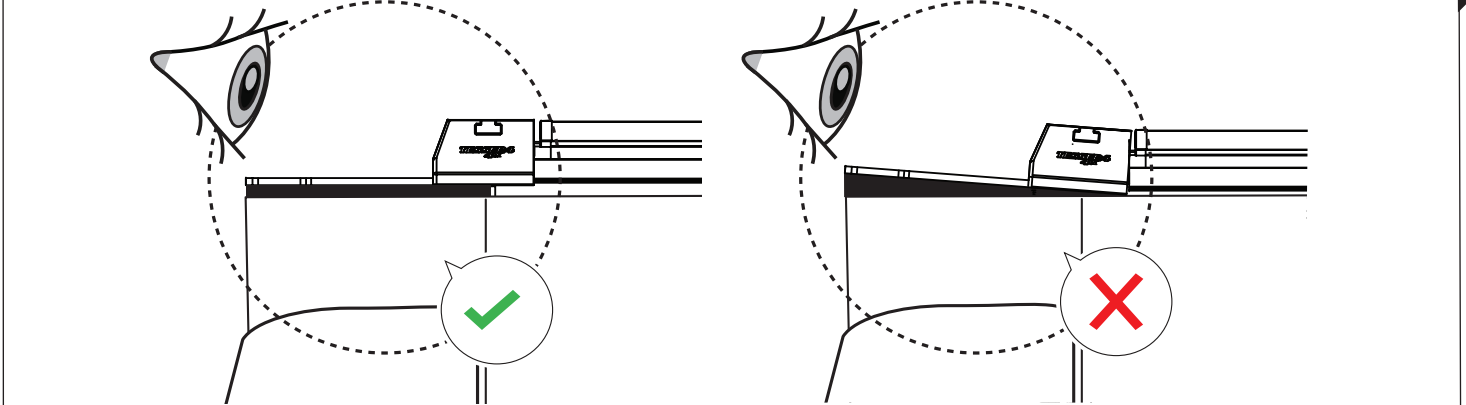




CAUTION !



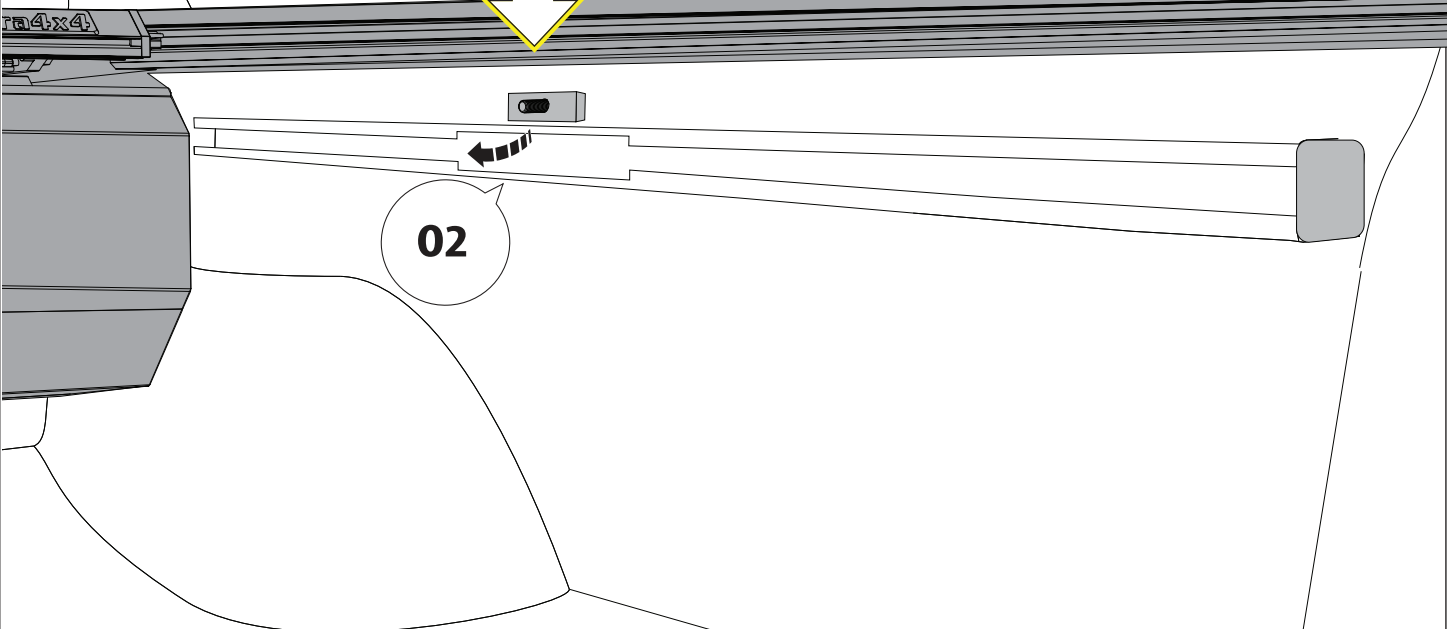
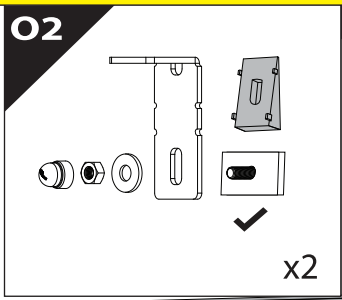
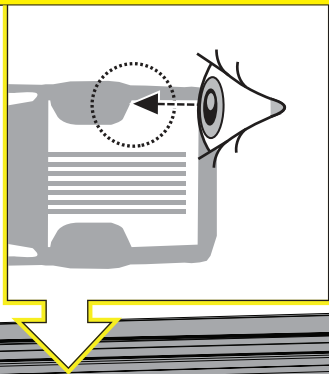
CAUTION !



35 A

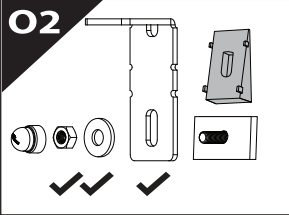


WITH C - CHANNELS

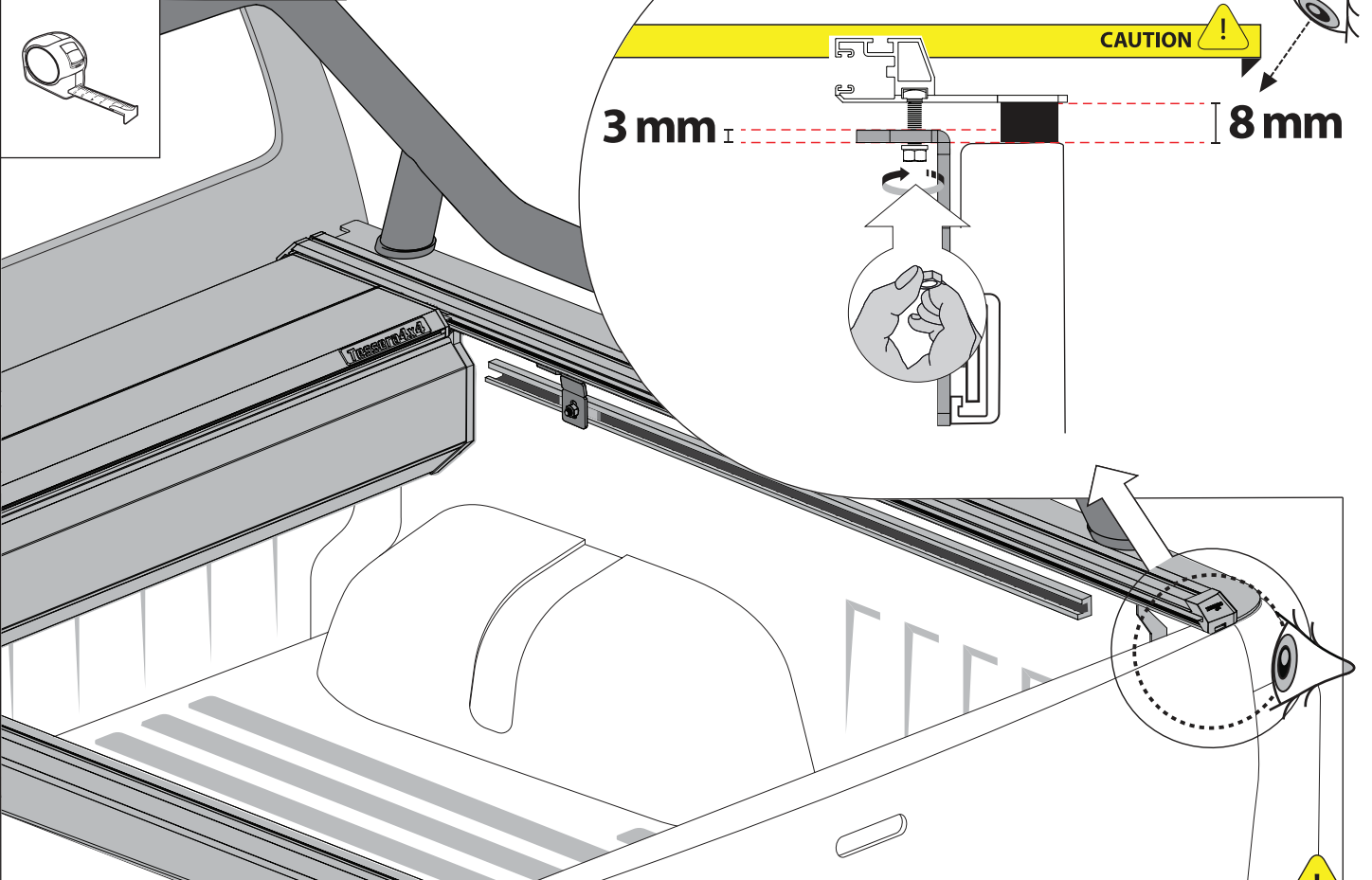
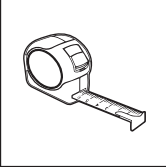
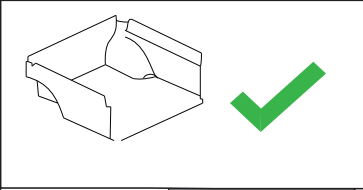
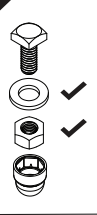


35 B

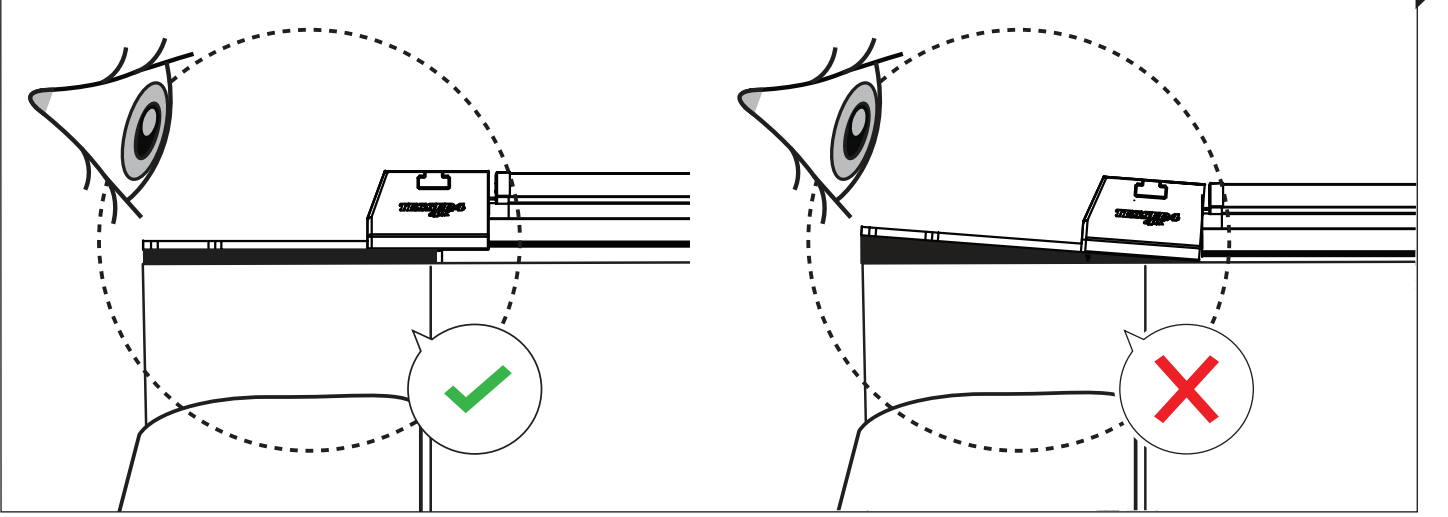
O2

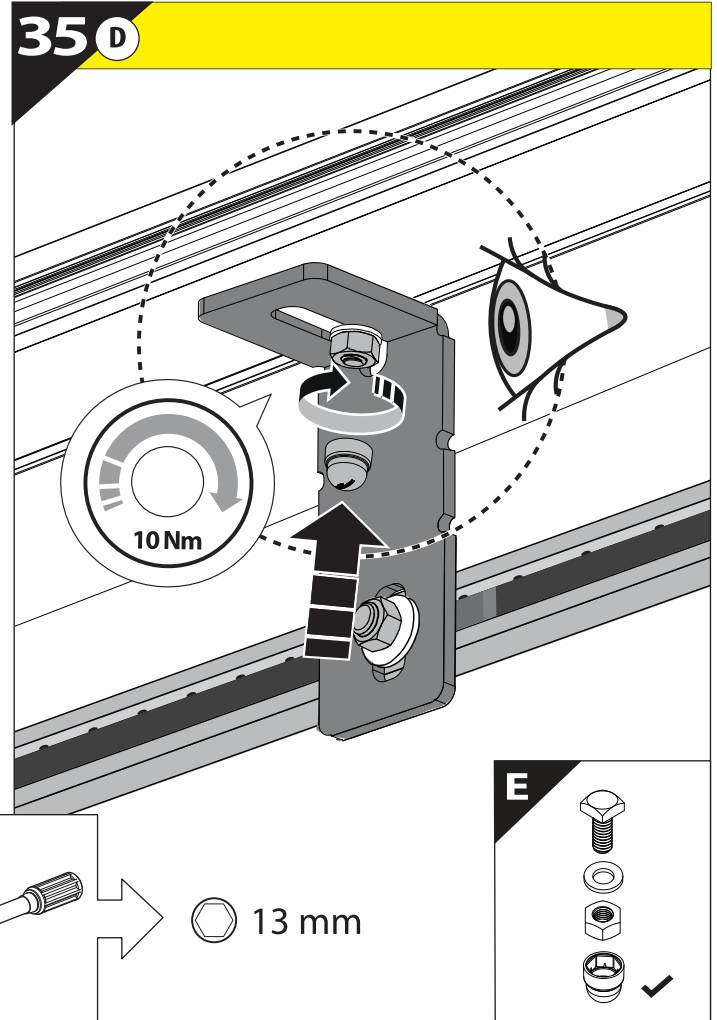
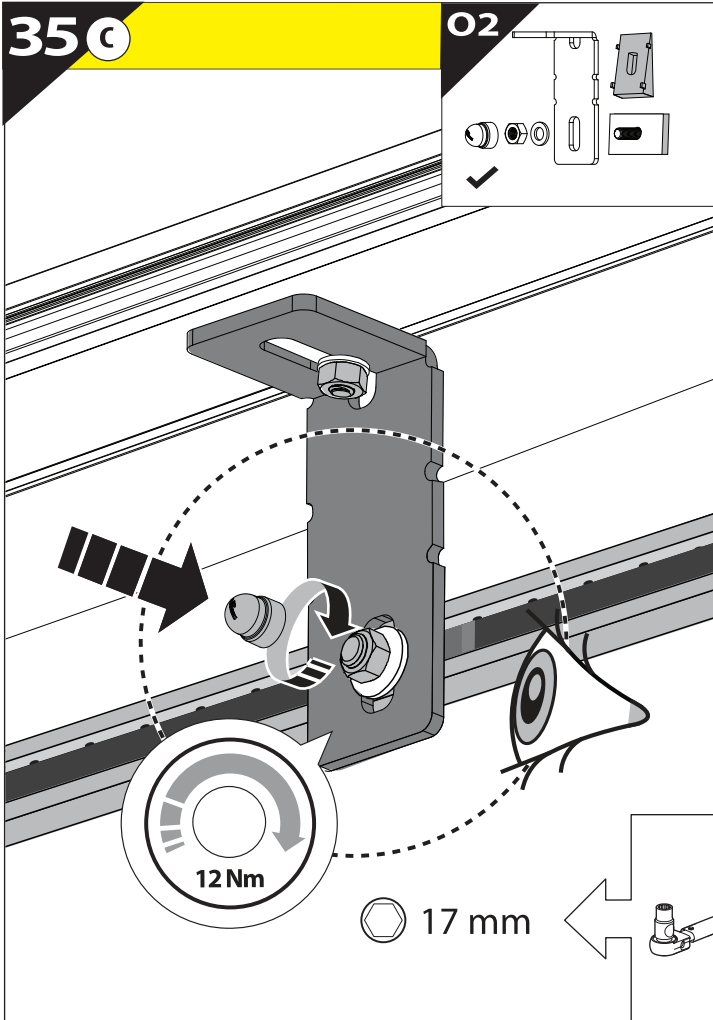


E

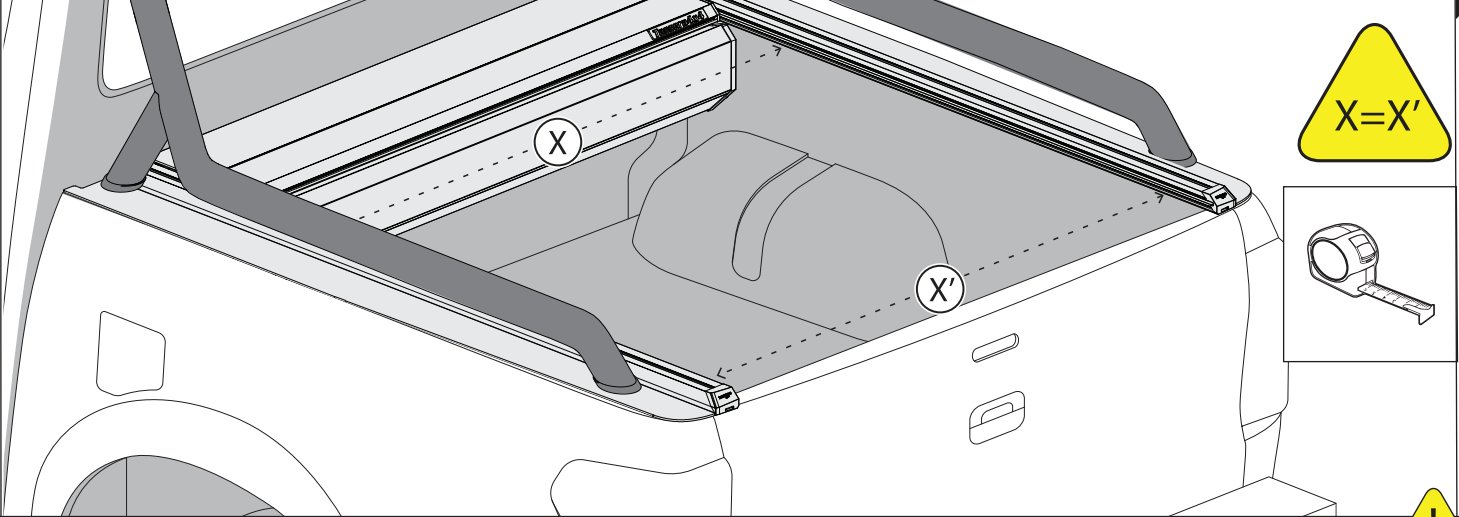


CAUTION !

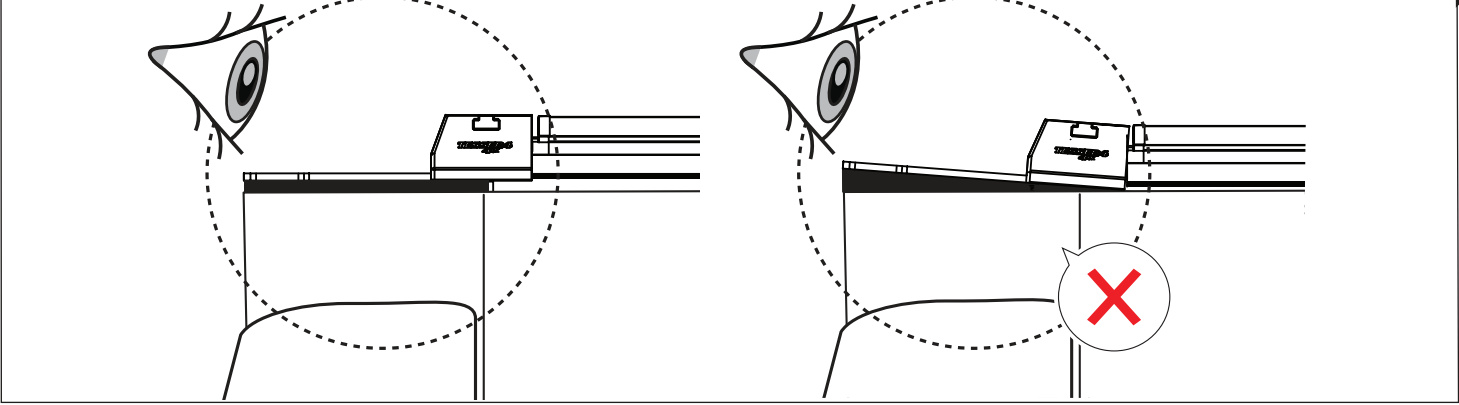




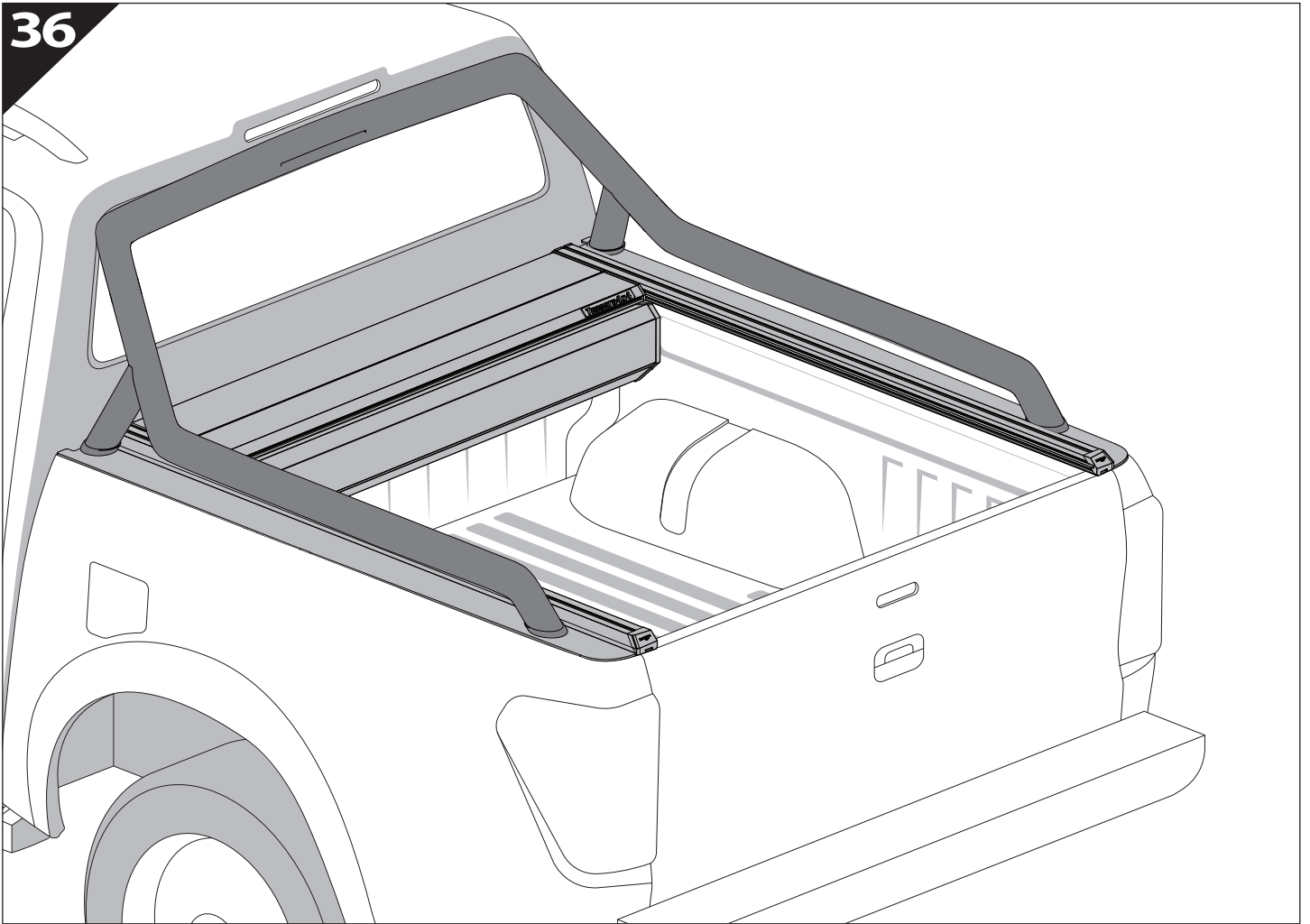
CAUTION !



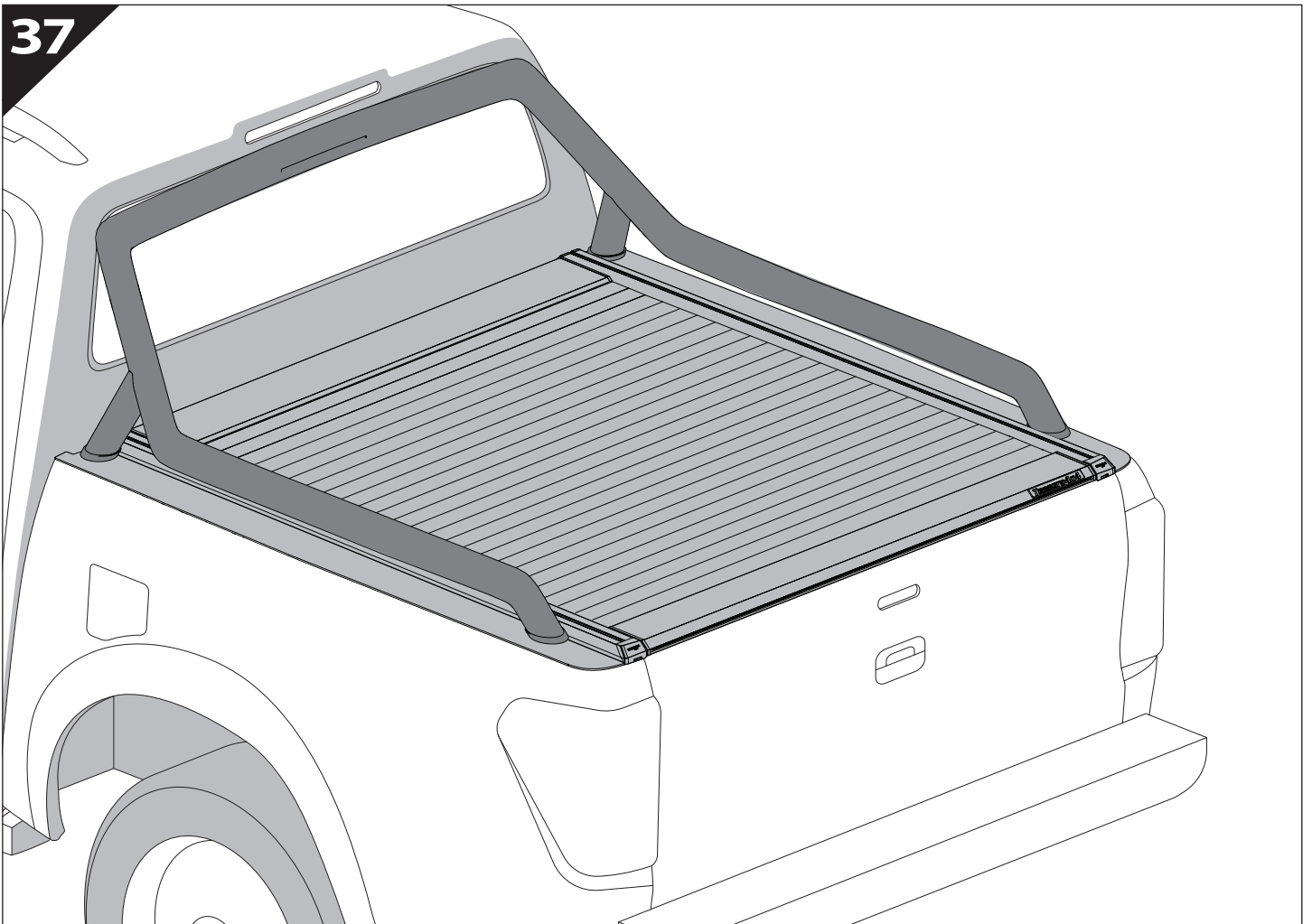
CAUTION !



36



37





GR: Οδηγίες Εγκατάστασης
GB: Installation manual
SF: Asennusohje
F: Notice de montage
PL: Instrukcja montażu
NL: Installatie-instructies
TR: Montaj Talimatı
S: Monteringsanvisning
E: Instrucciones de montaje

H: Szerelési utasítás
P: Instruções de instalação
RUS: Инструкция по установке
N: Monteringsveiledning
D: Einbauanleitung
CZ: Návod k instalaci
I: Istruzioni de montaggio
DK: Monteringsvejledning
RO: Instructiuni de instalare

Customer Service:

+30 (210) 5541161, +30 (210) 5541154 (08:00 - 16:00 EET)

Support department:

info@gianso.gr

Website:

www.tessera4x4.com

Address:

19.5 km of National road Athens-Korinthos (Elefsina) Greece, P.C: 19200