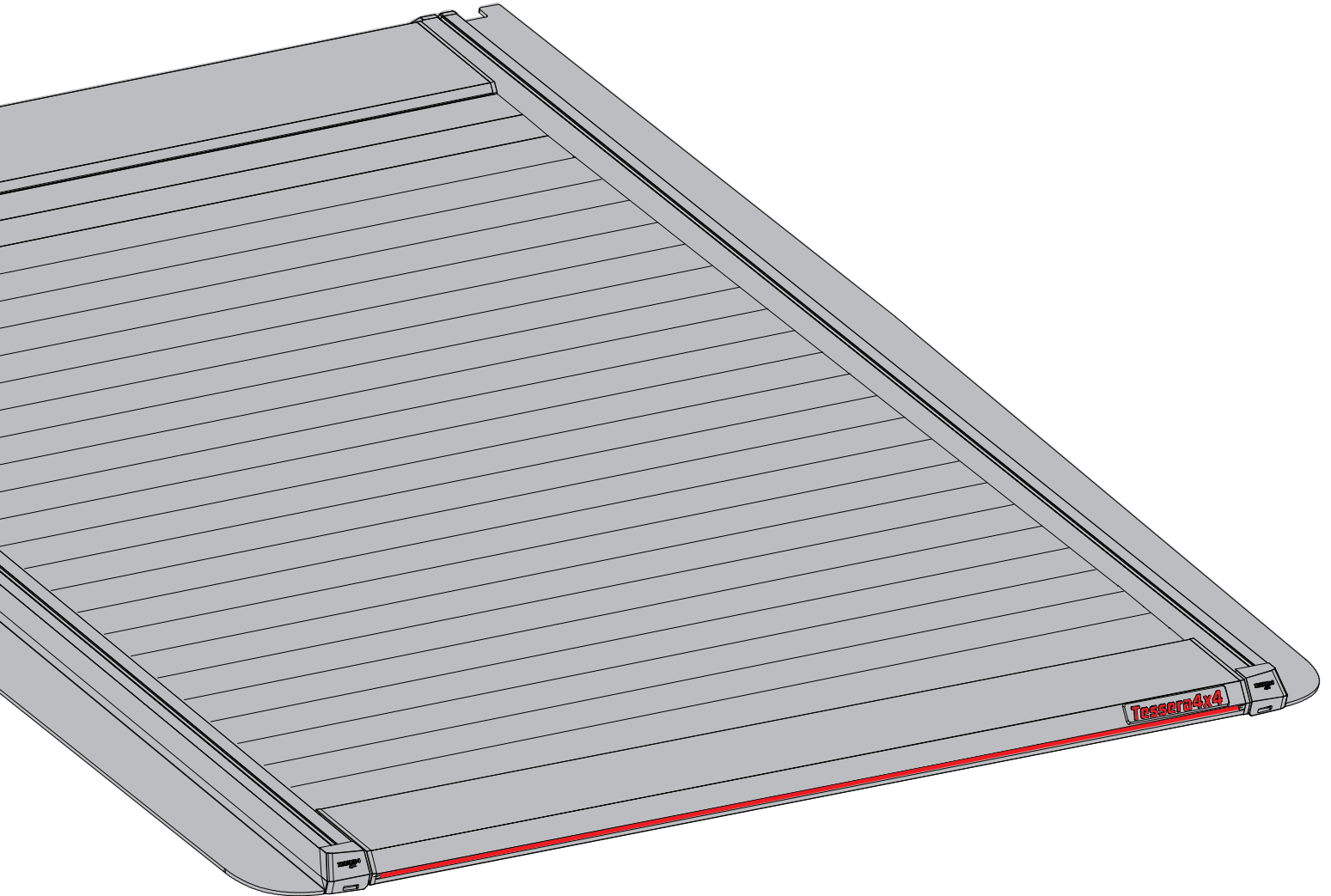


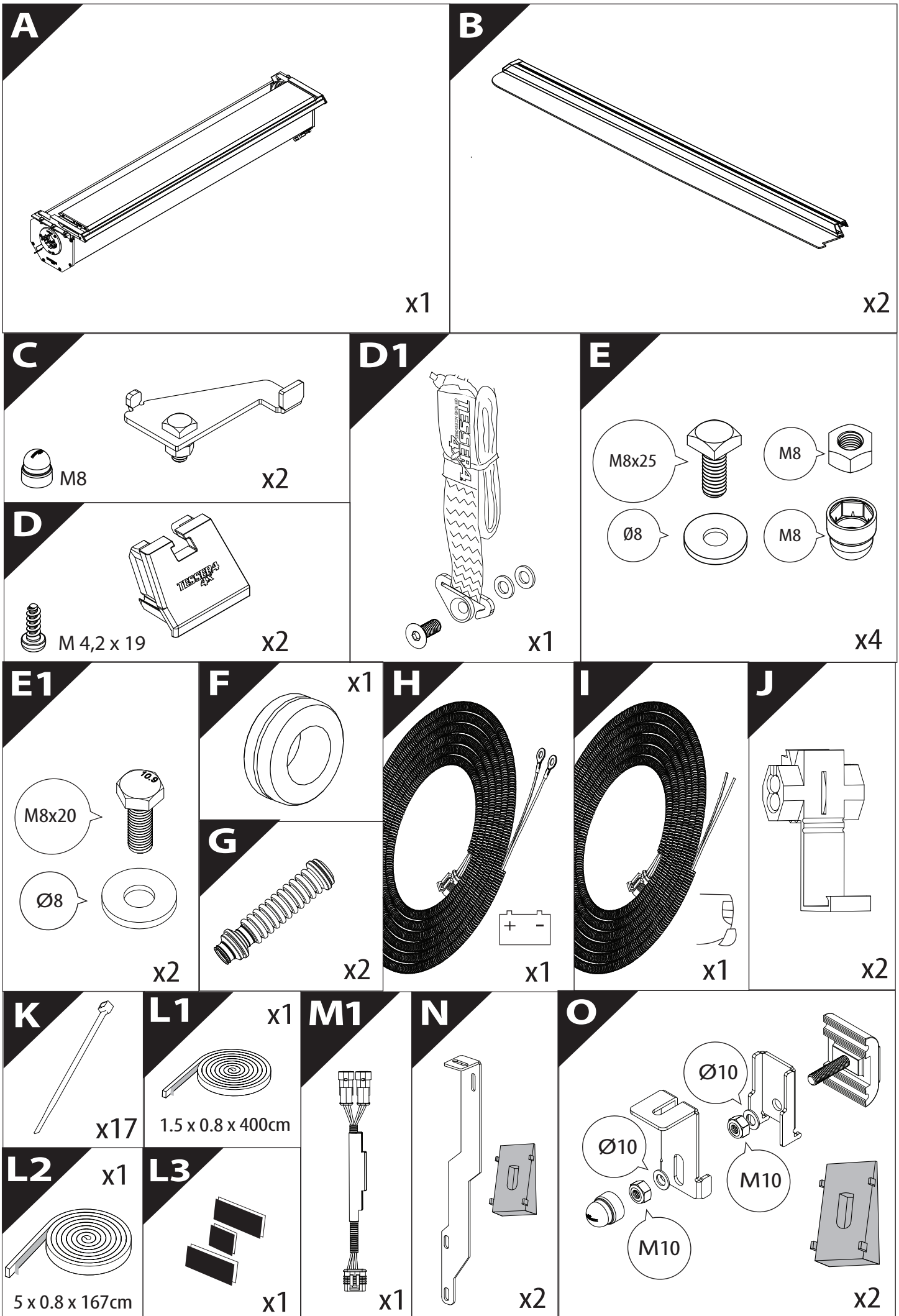
Tessera Roll+

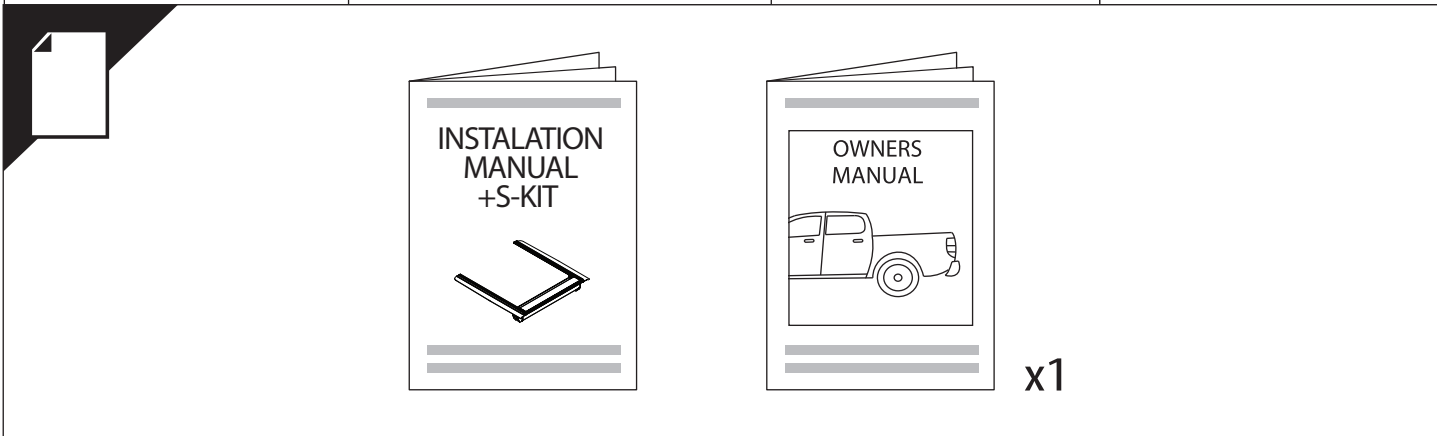
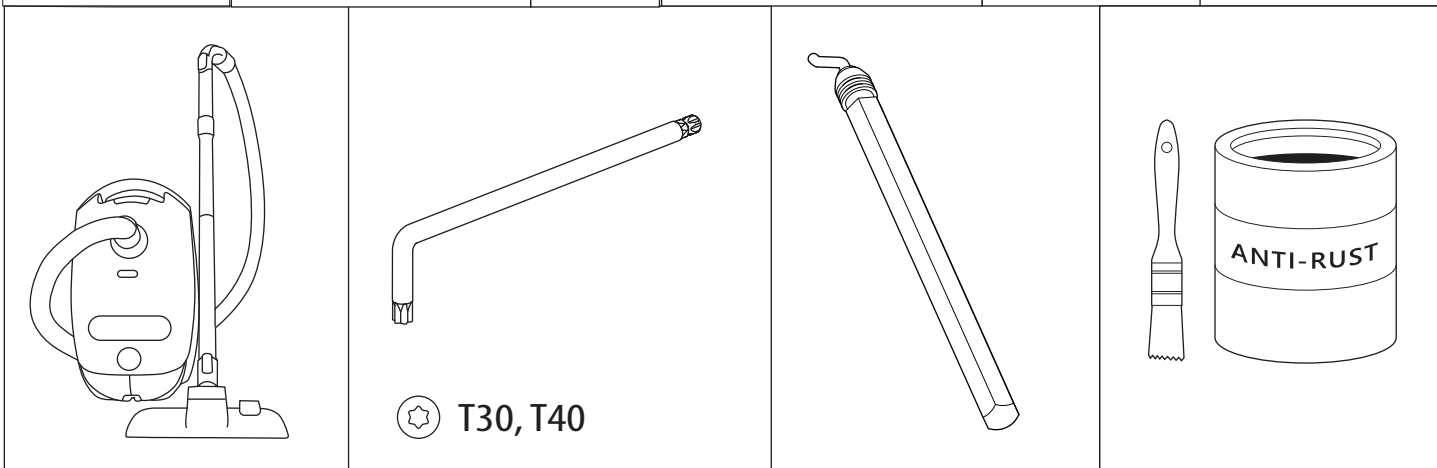
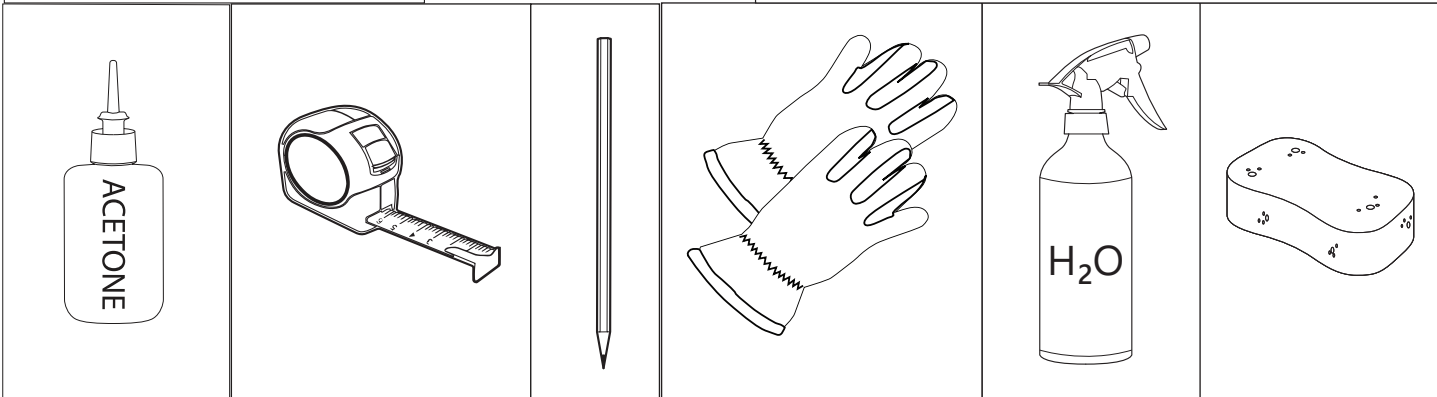
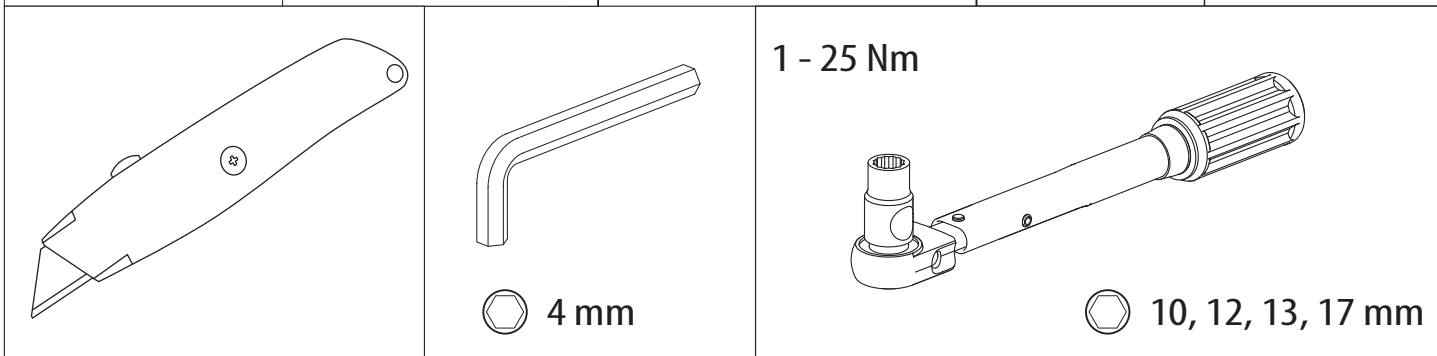
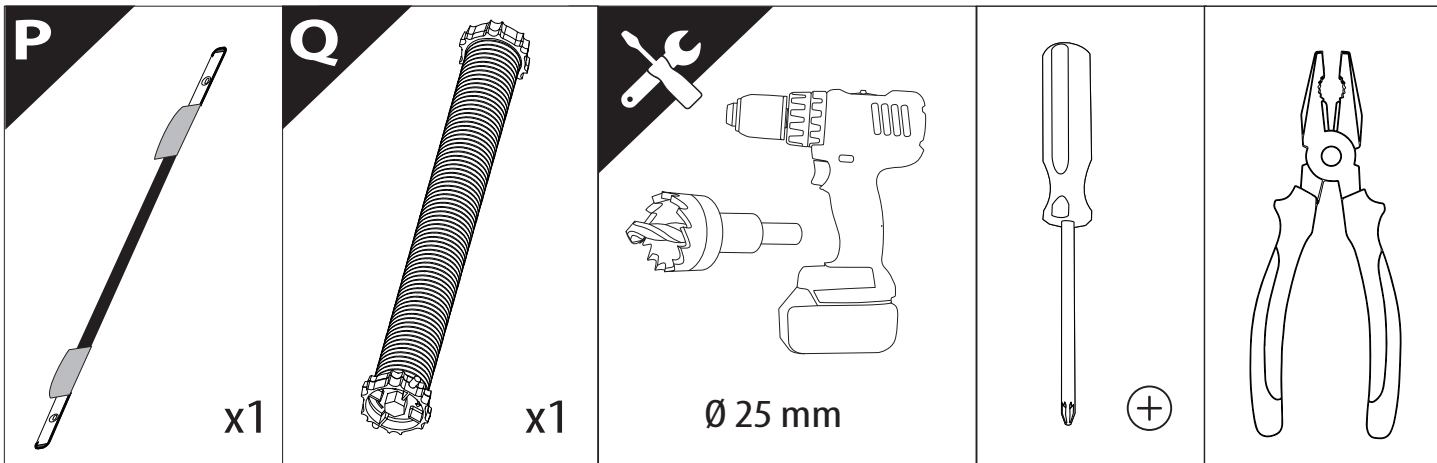
Basic Version + ⚙️ S-KIT

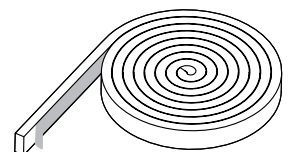
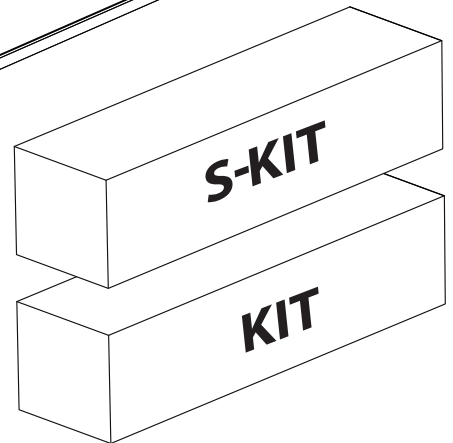
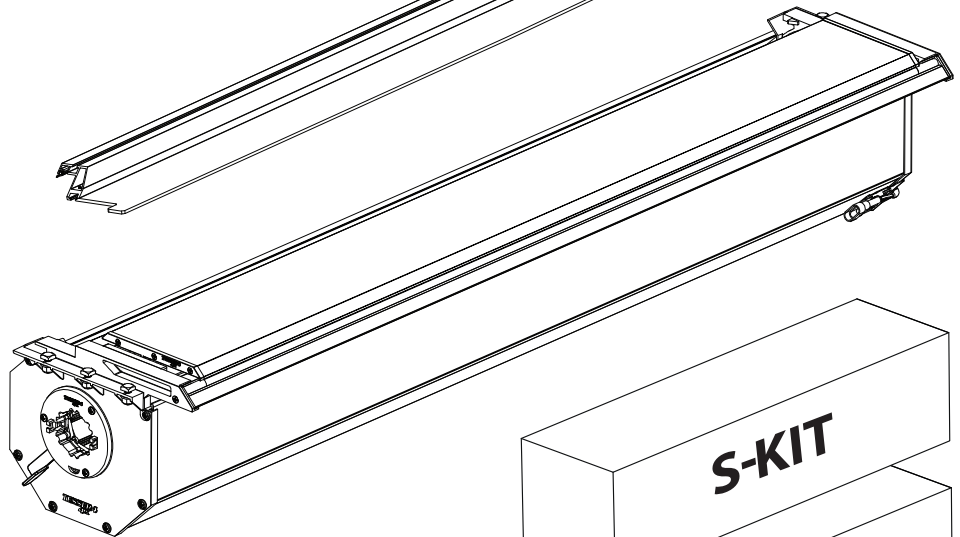
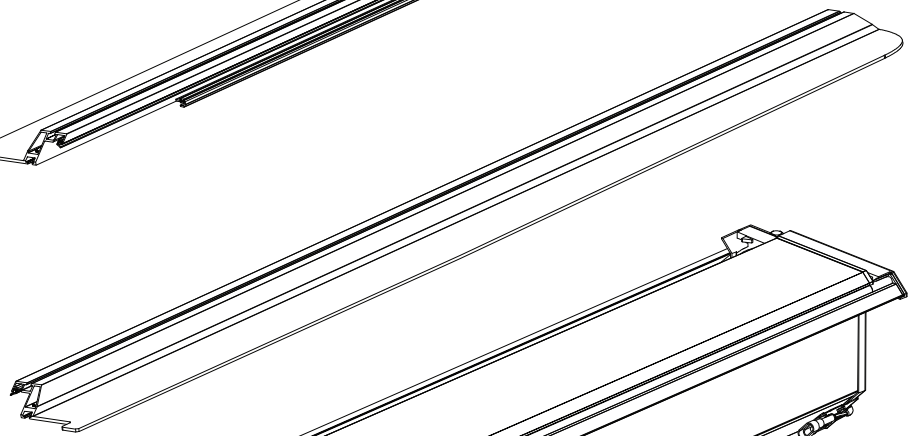
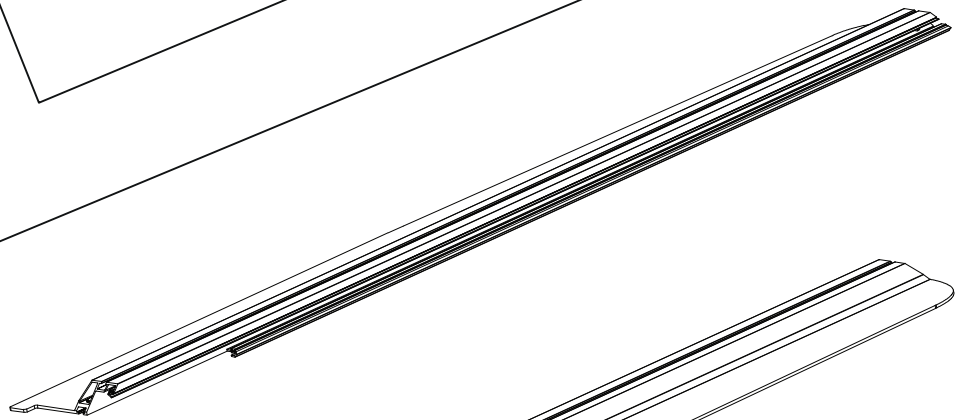
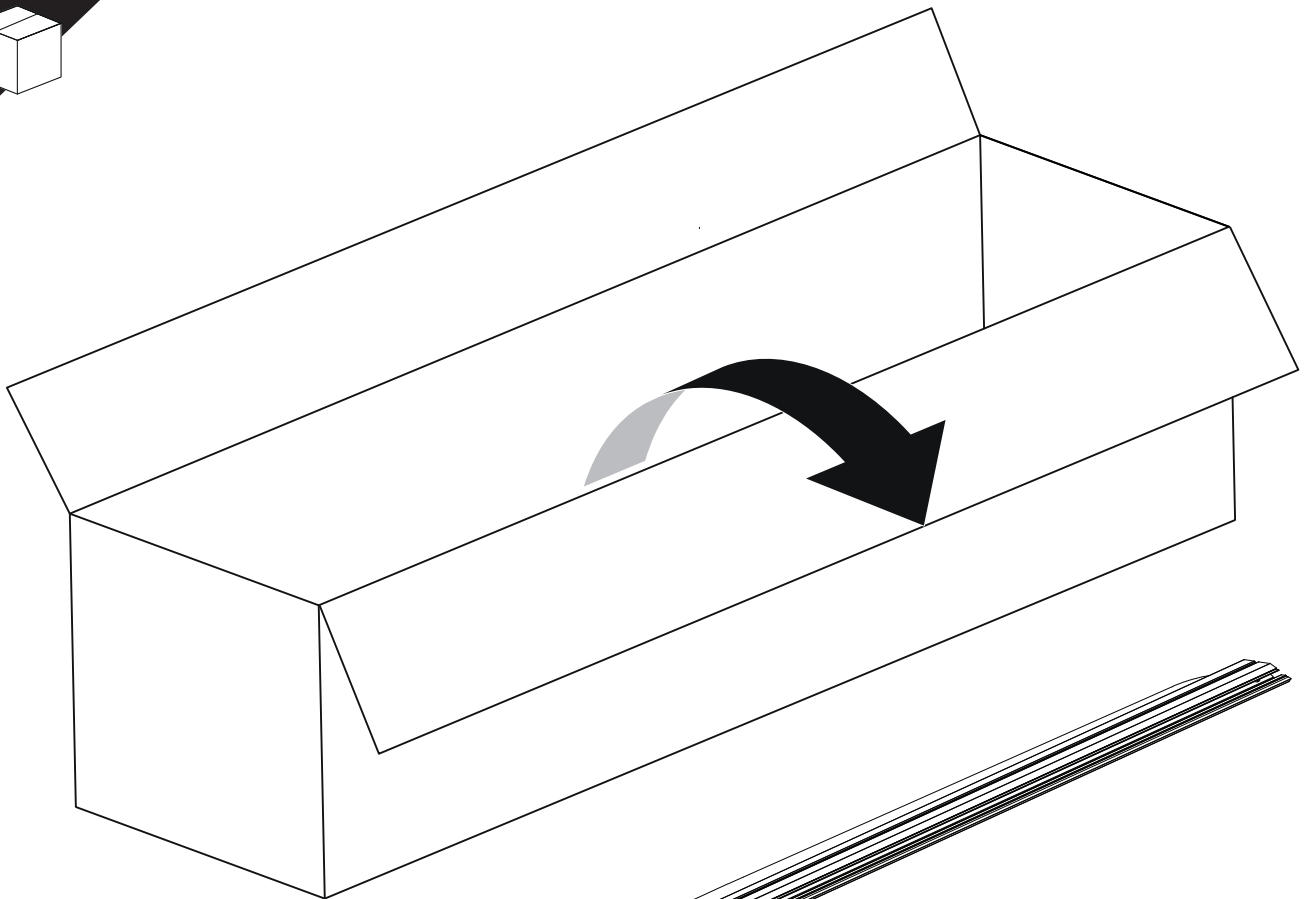


Installation Manual

PART NUMBER(S)	Model Year
TESS 14011 ROLL+S-KIT	VW AMAROK 2023+ (no c-channels)
Cab(s)	Installation Time / Weight
Double Cab	40-60 minutes / 53-57 kg





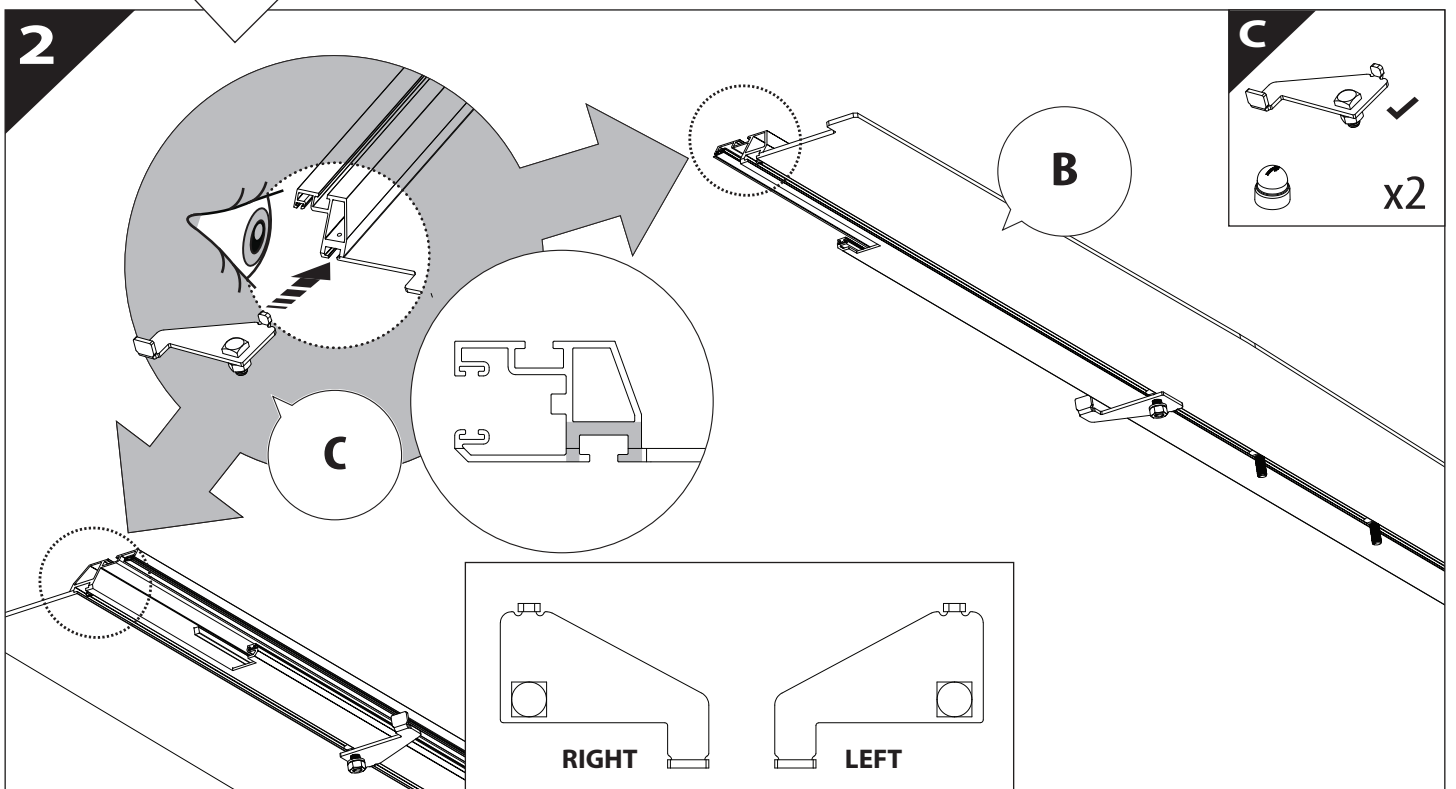
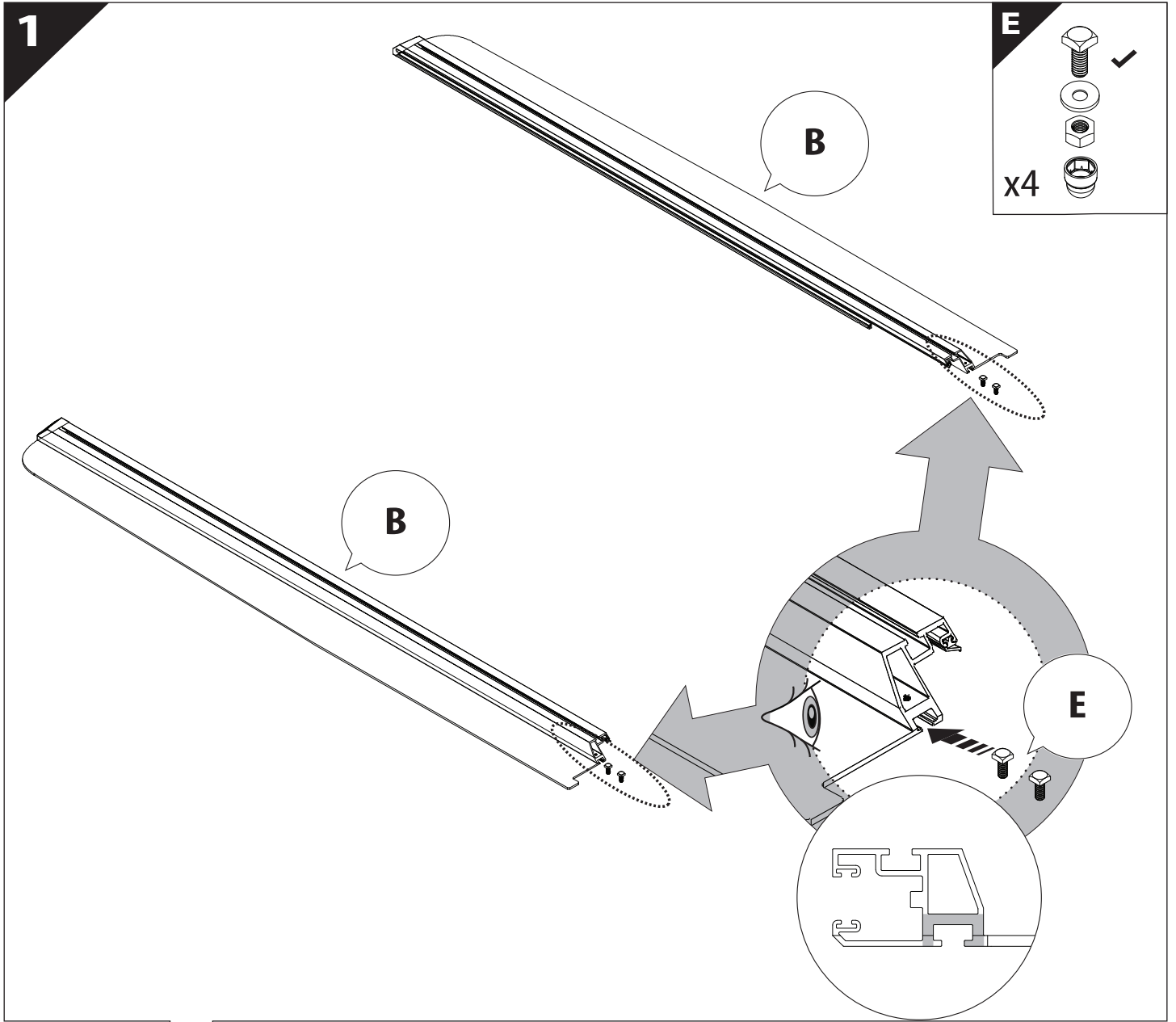


B

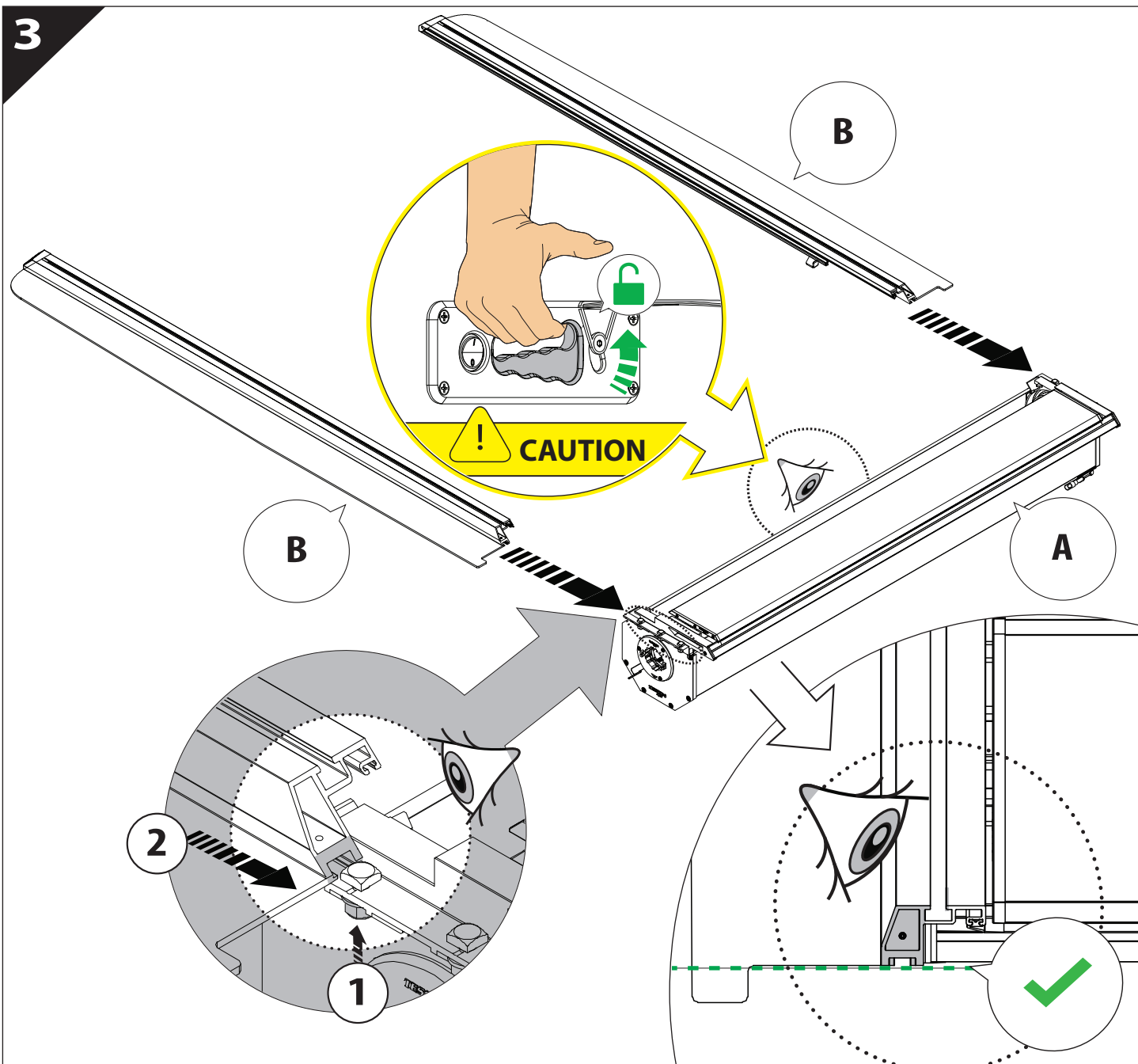
A

KITS

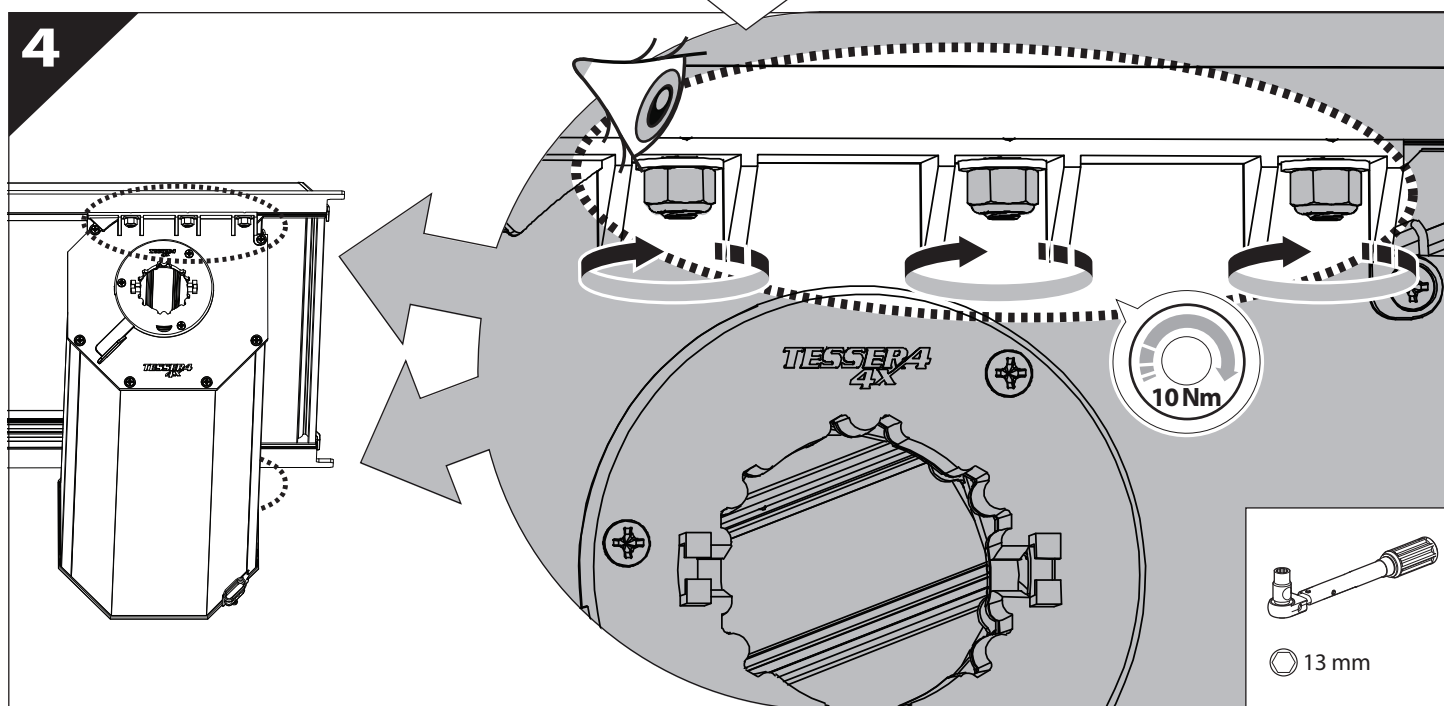
L

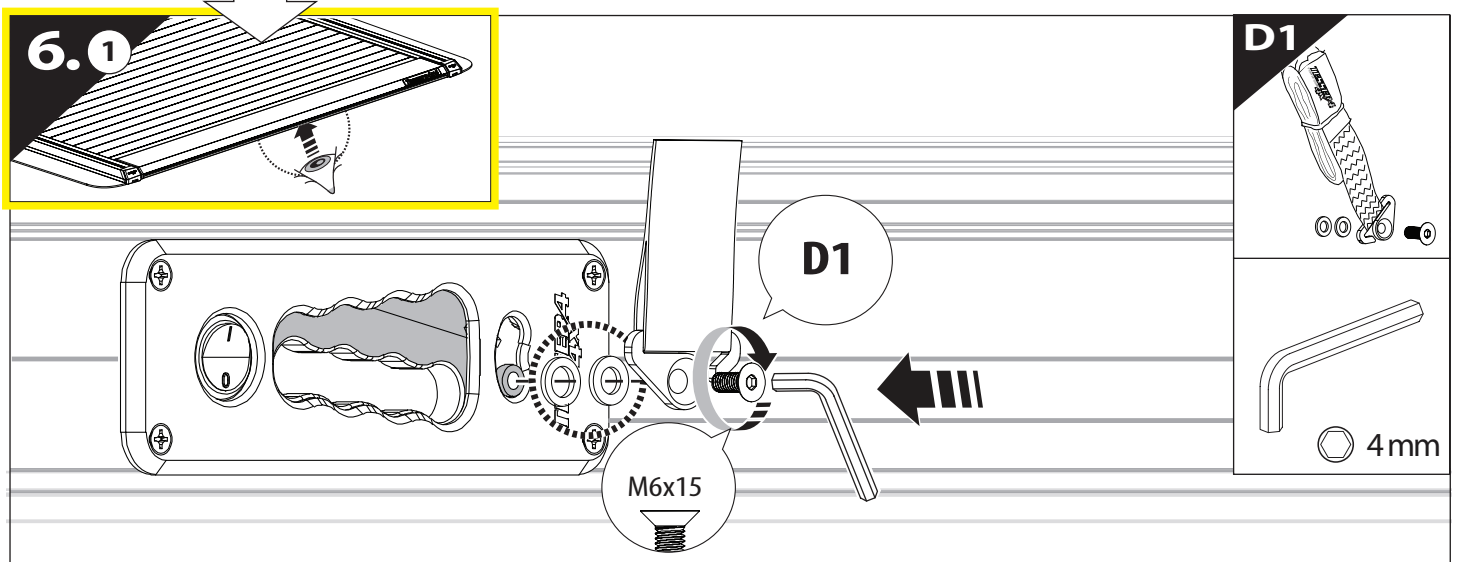
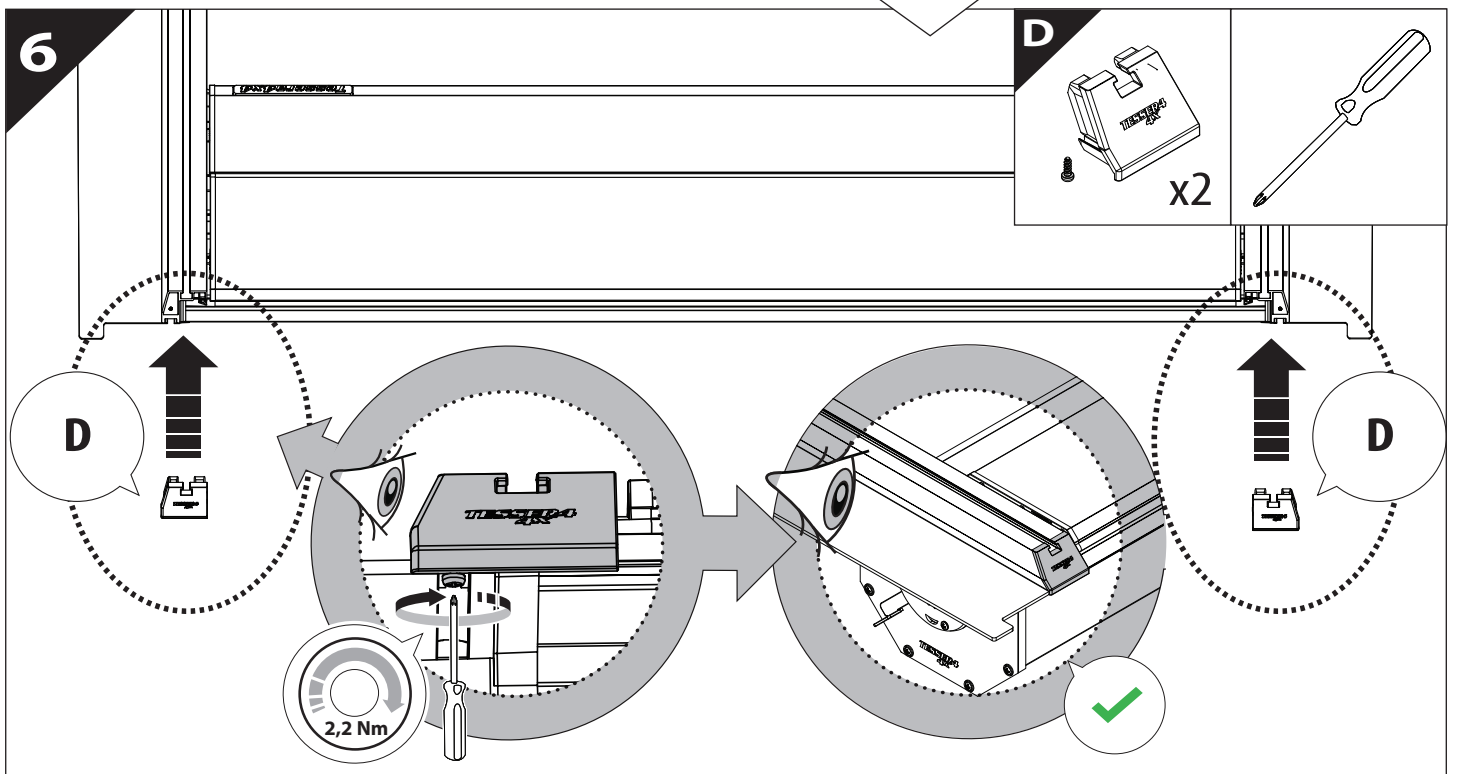
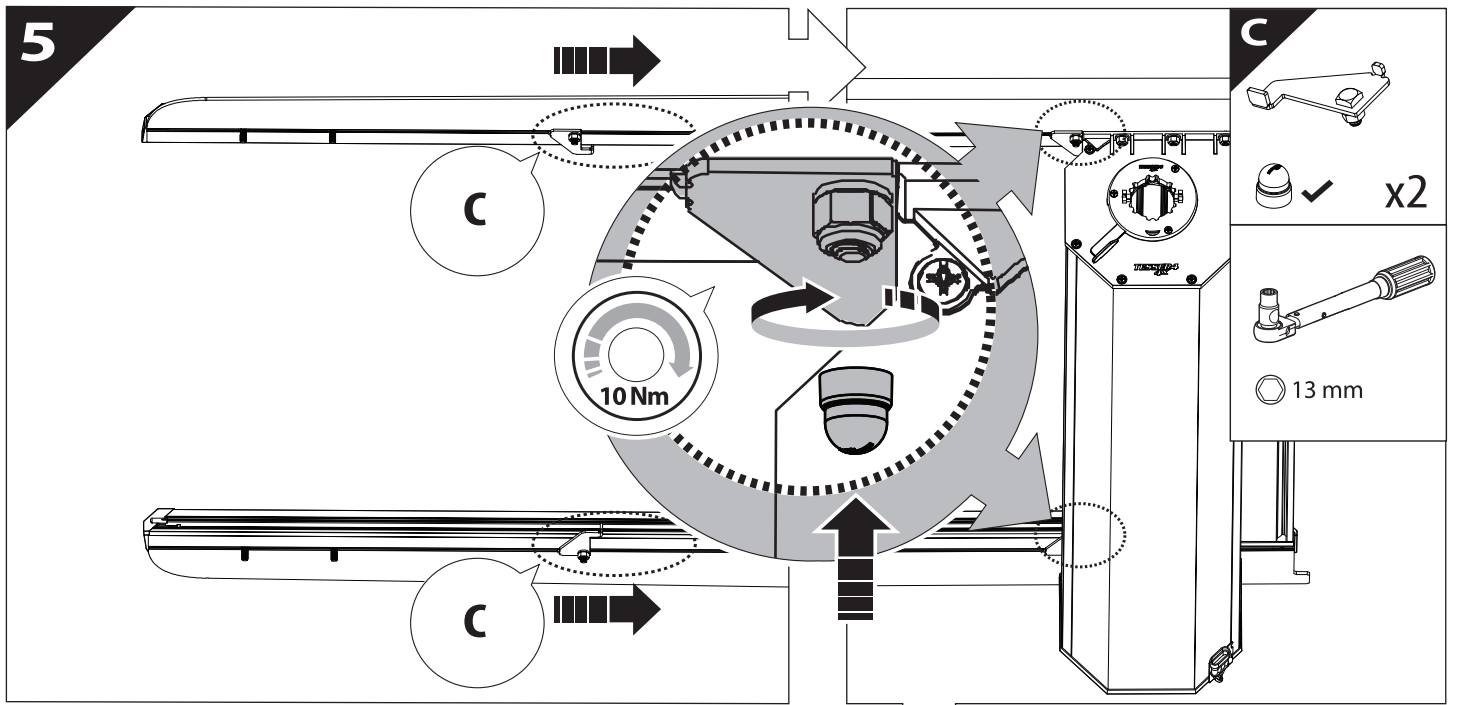


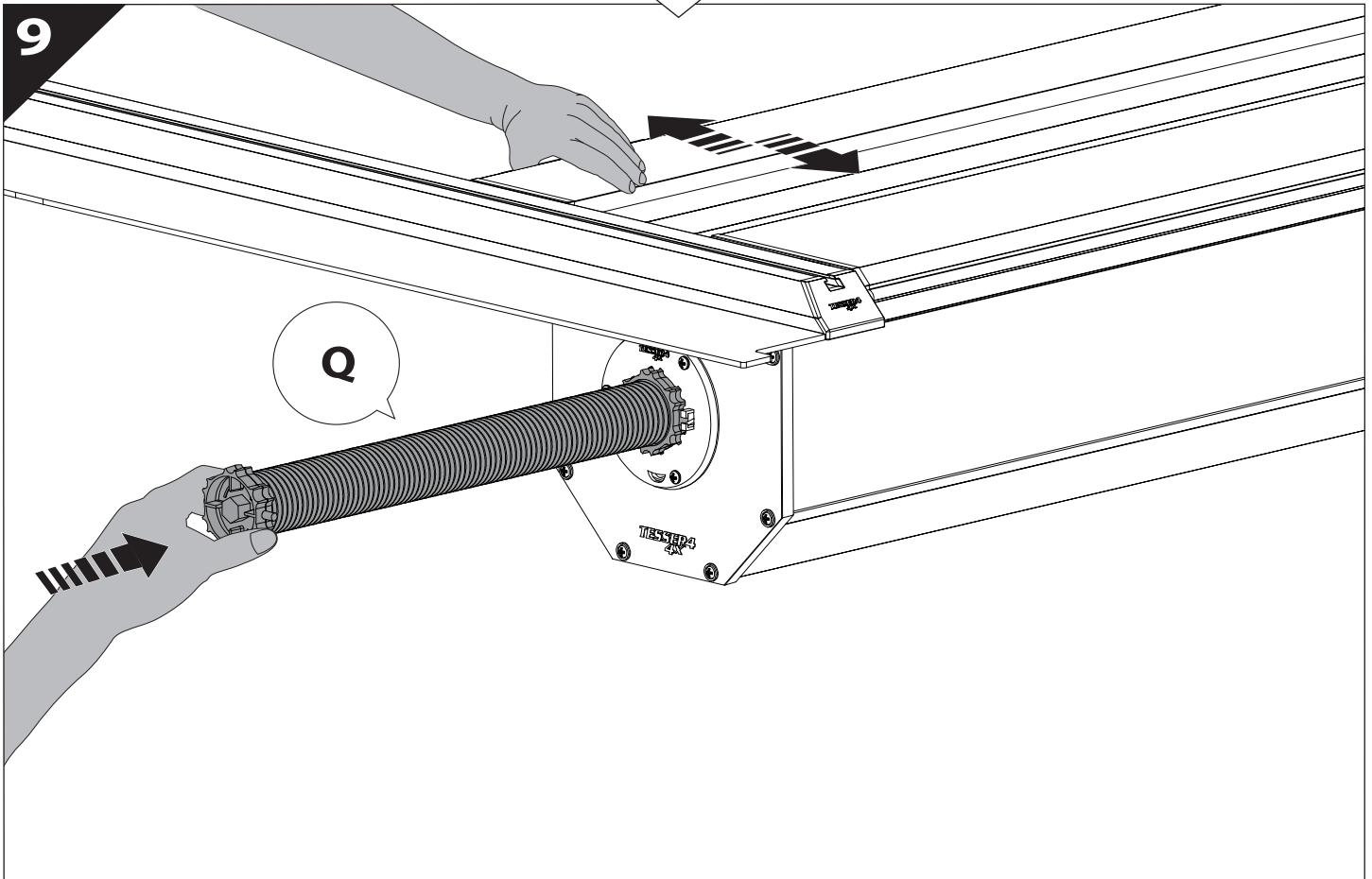
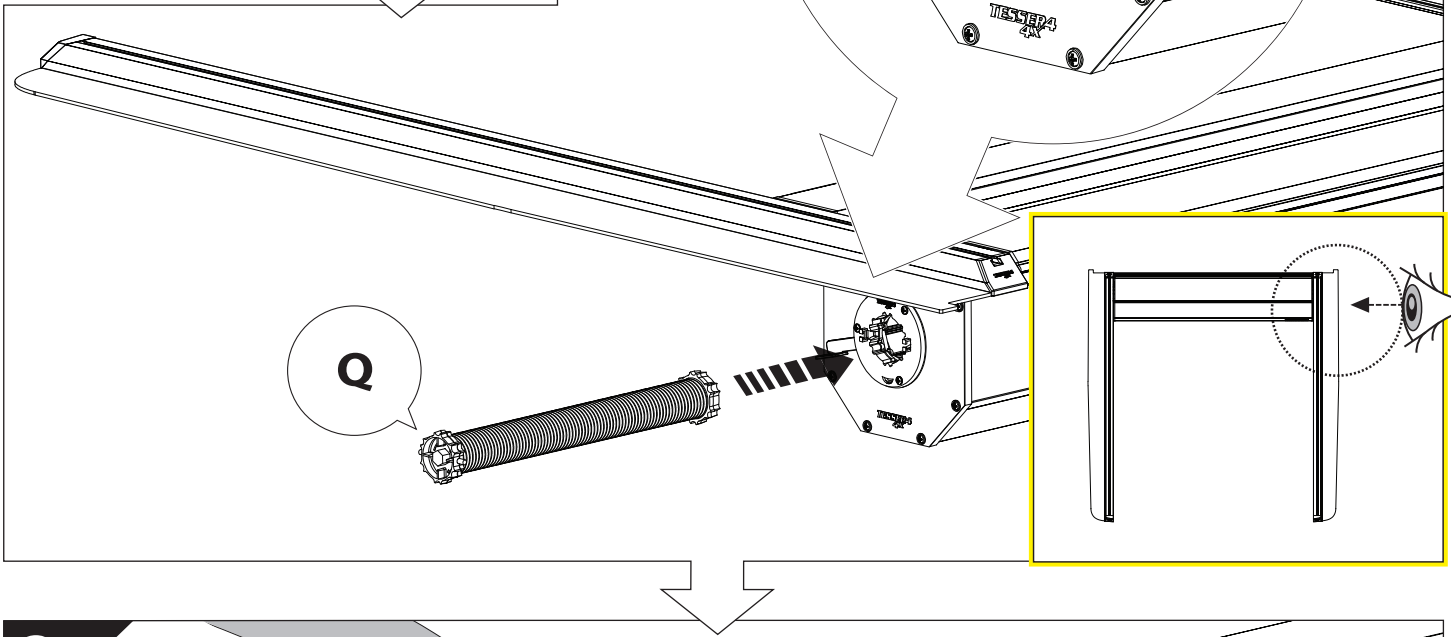
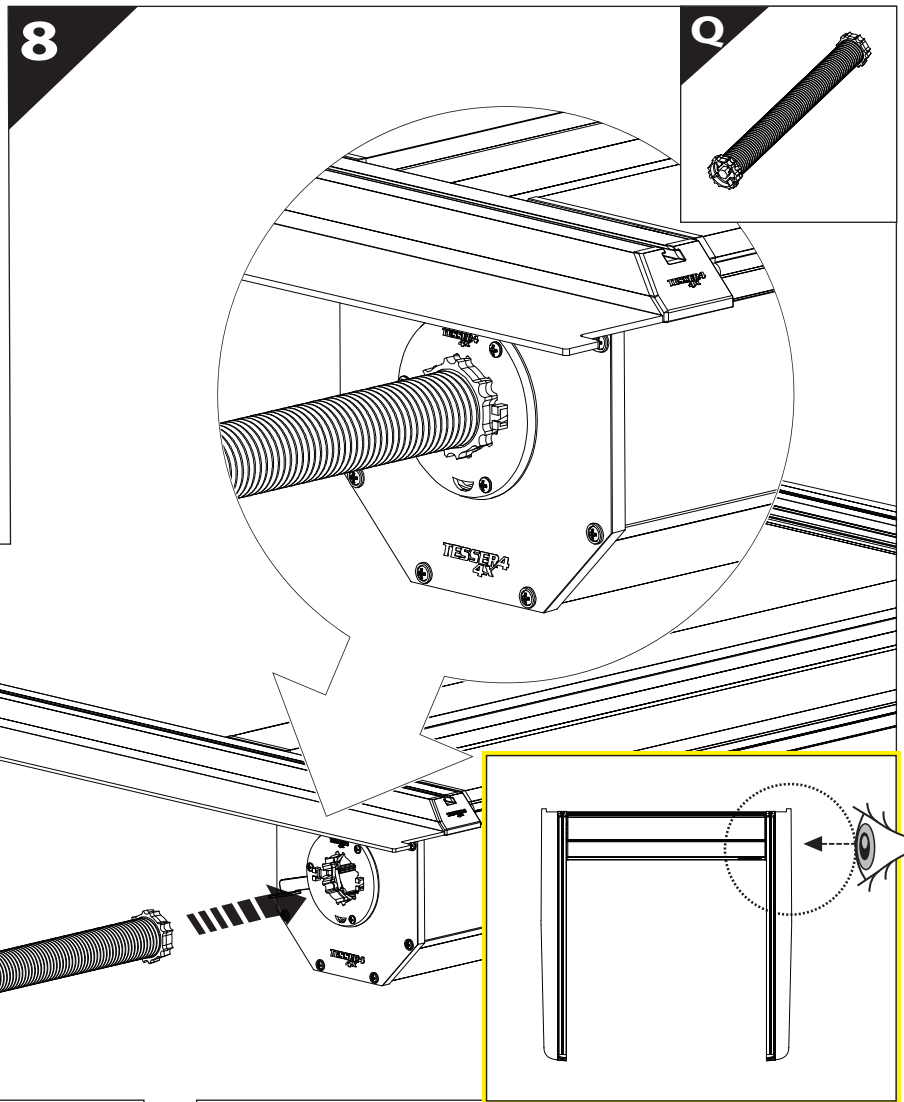
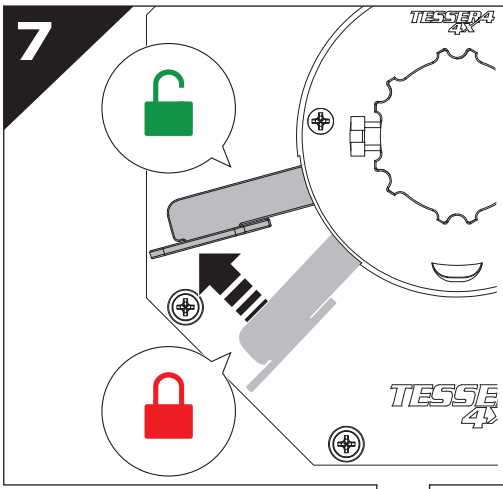
3



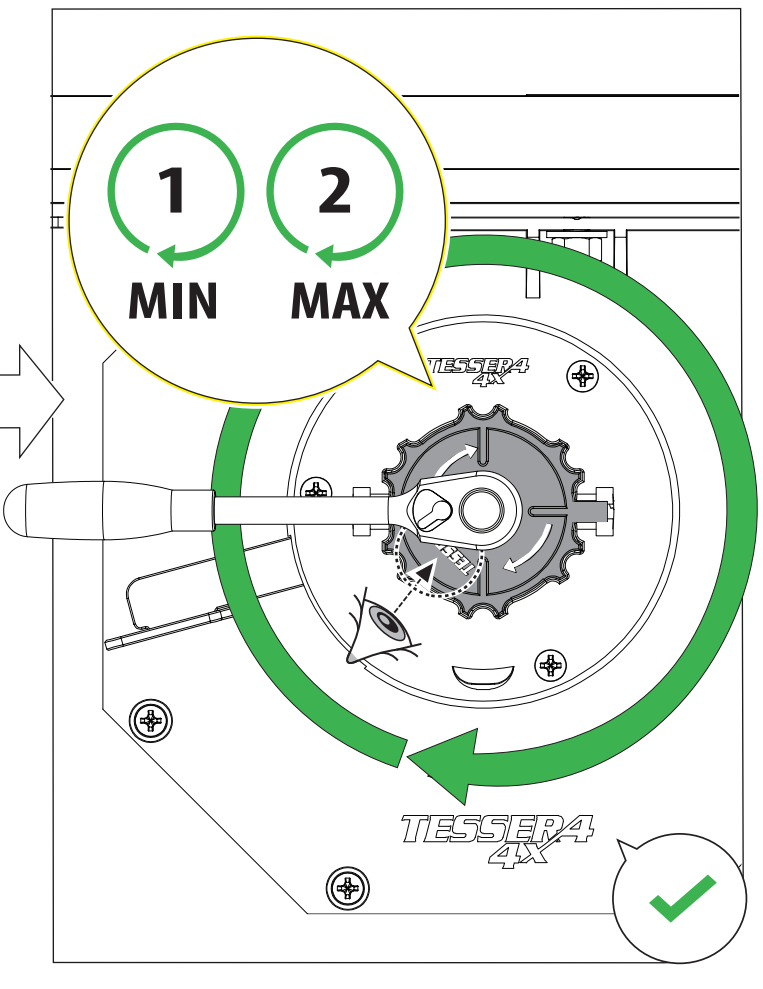
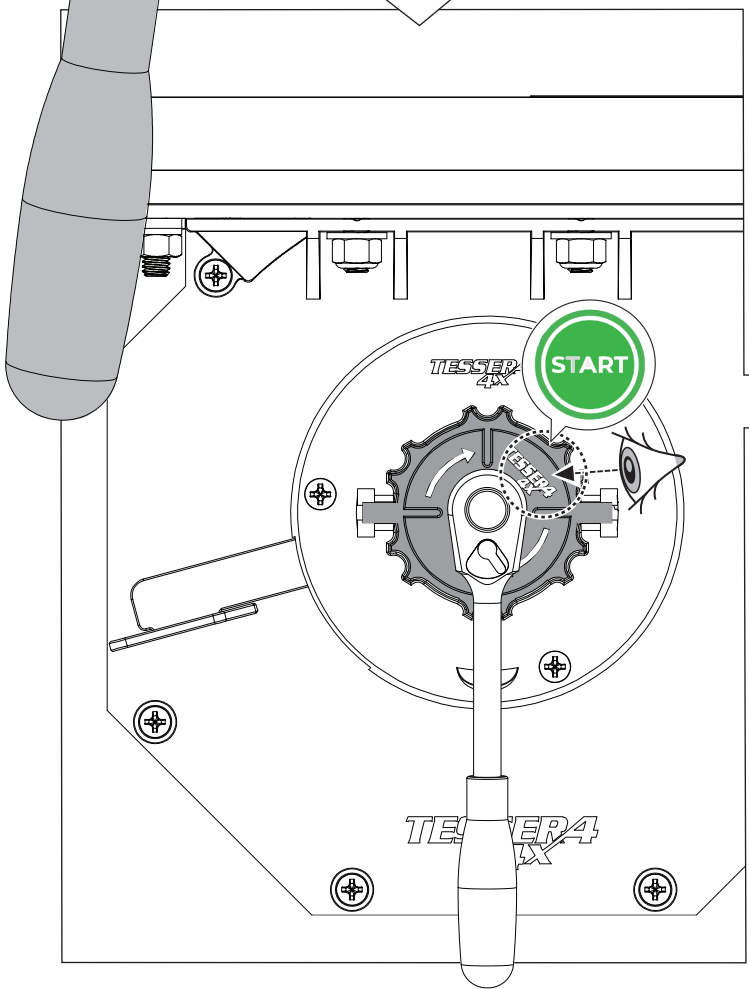
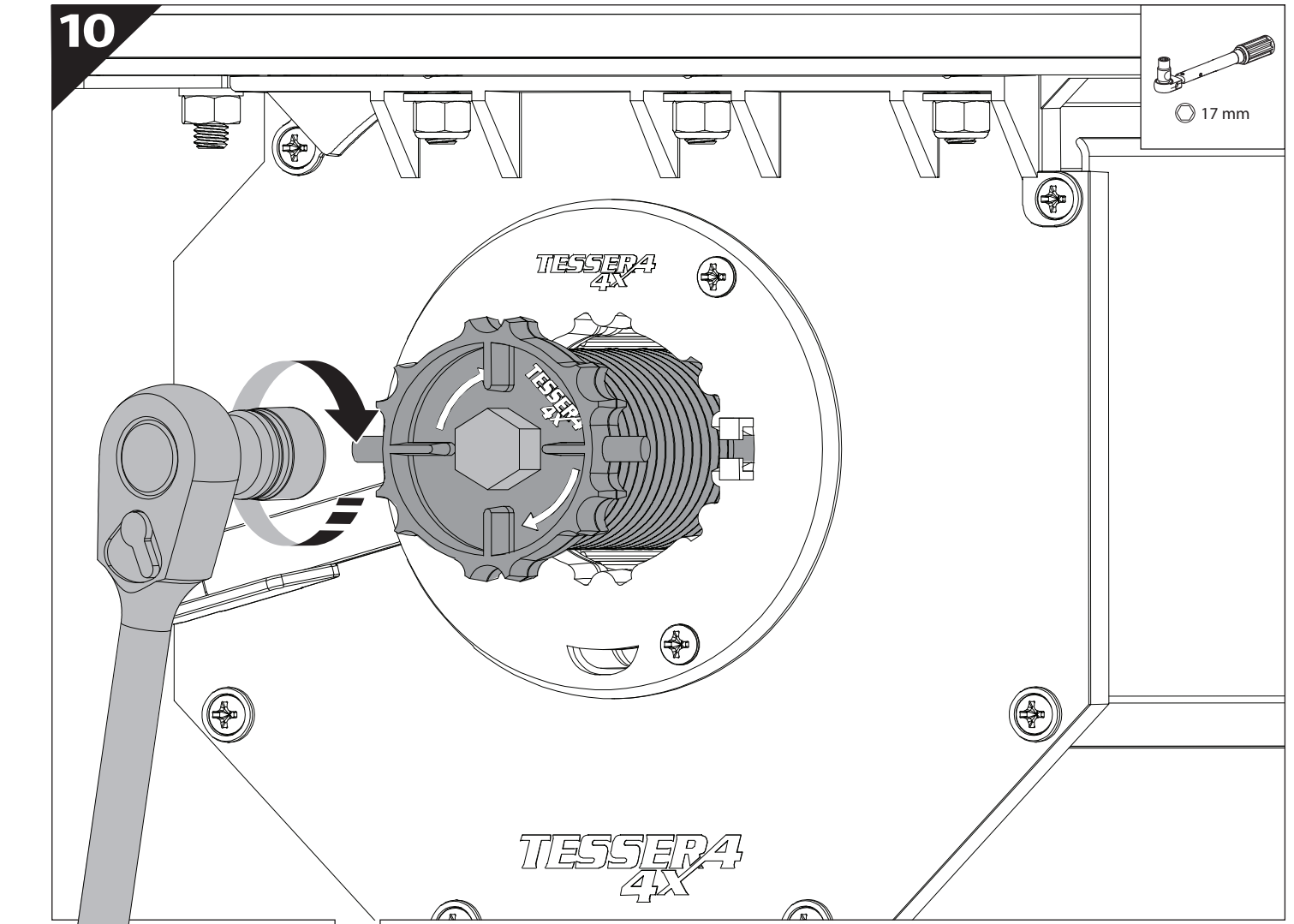
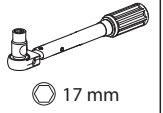
4



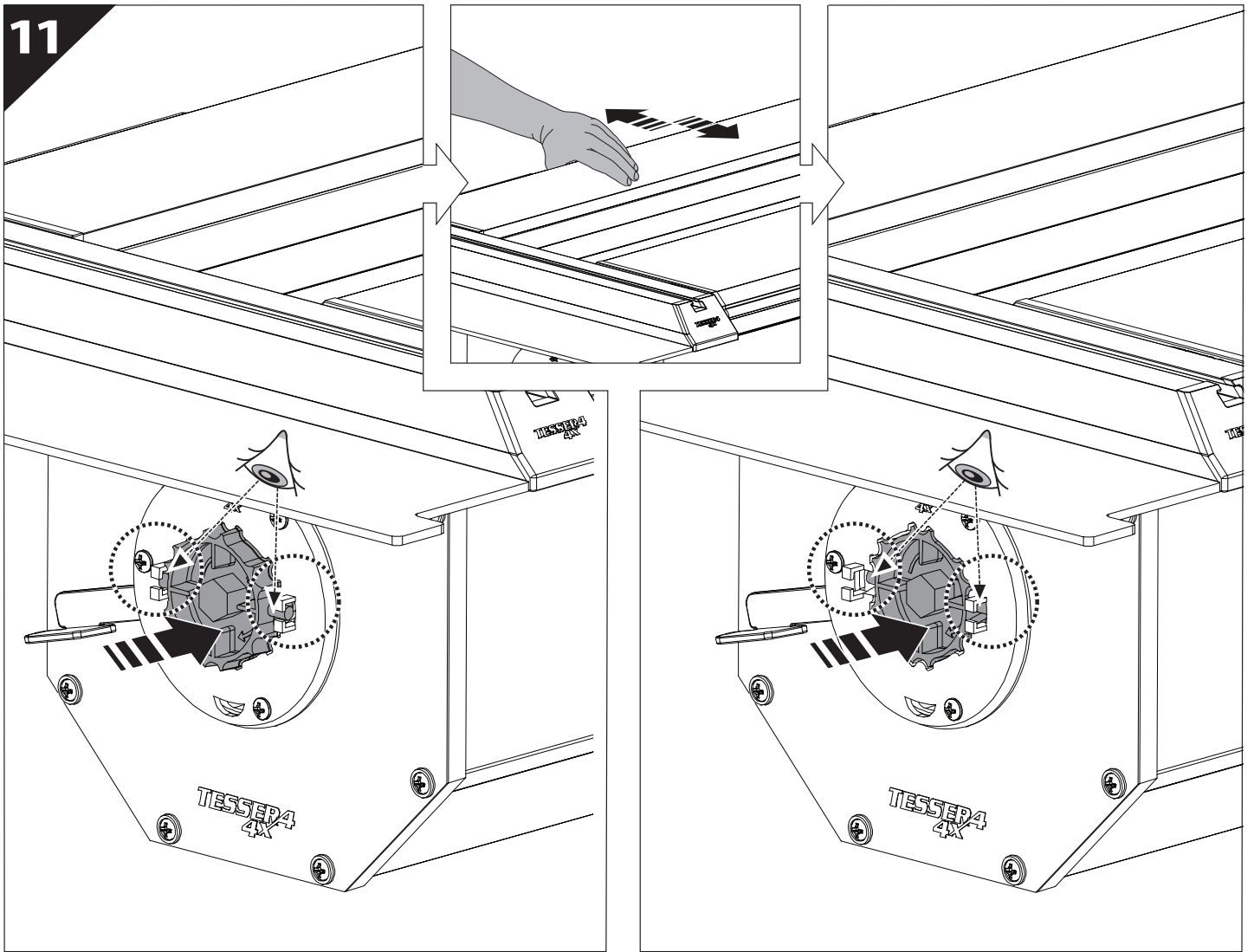




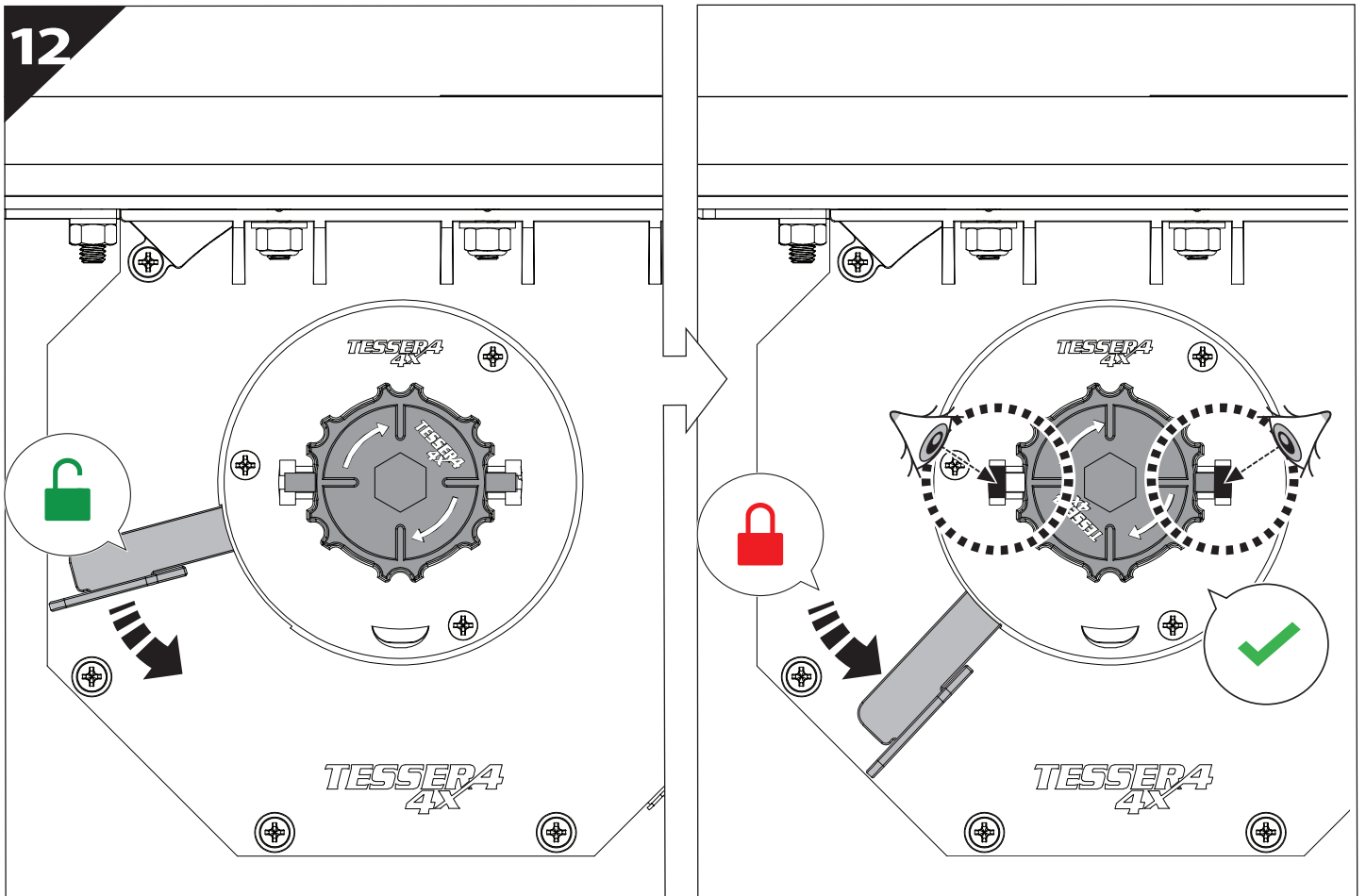
10



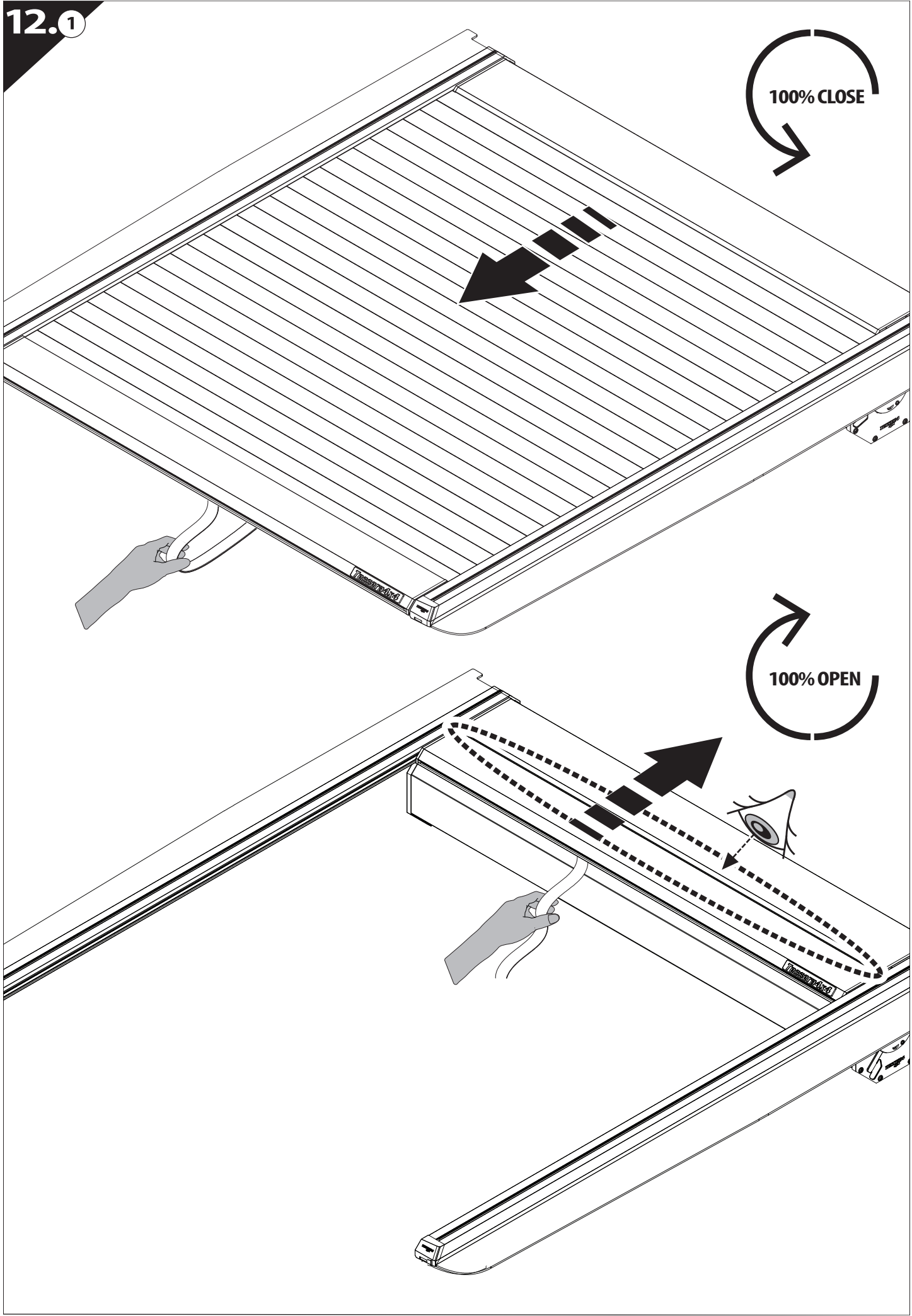
11

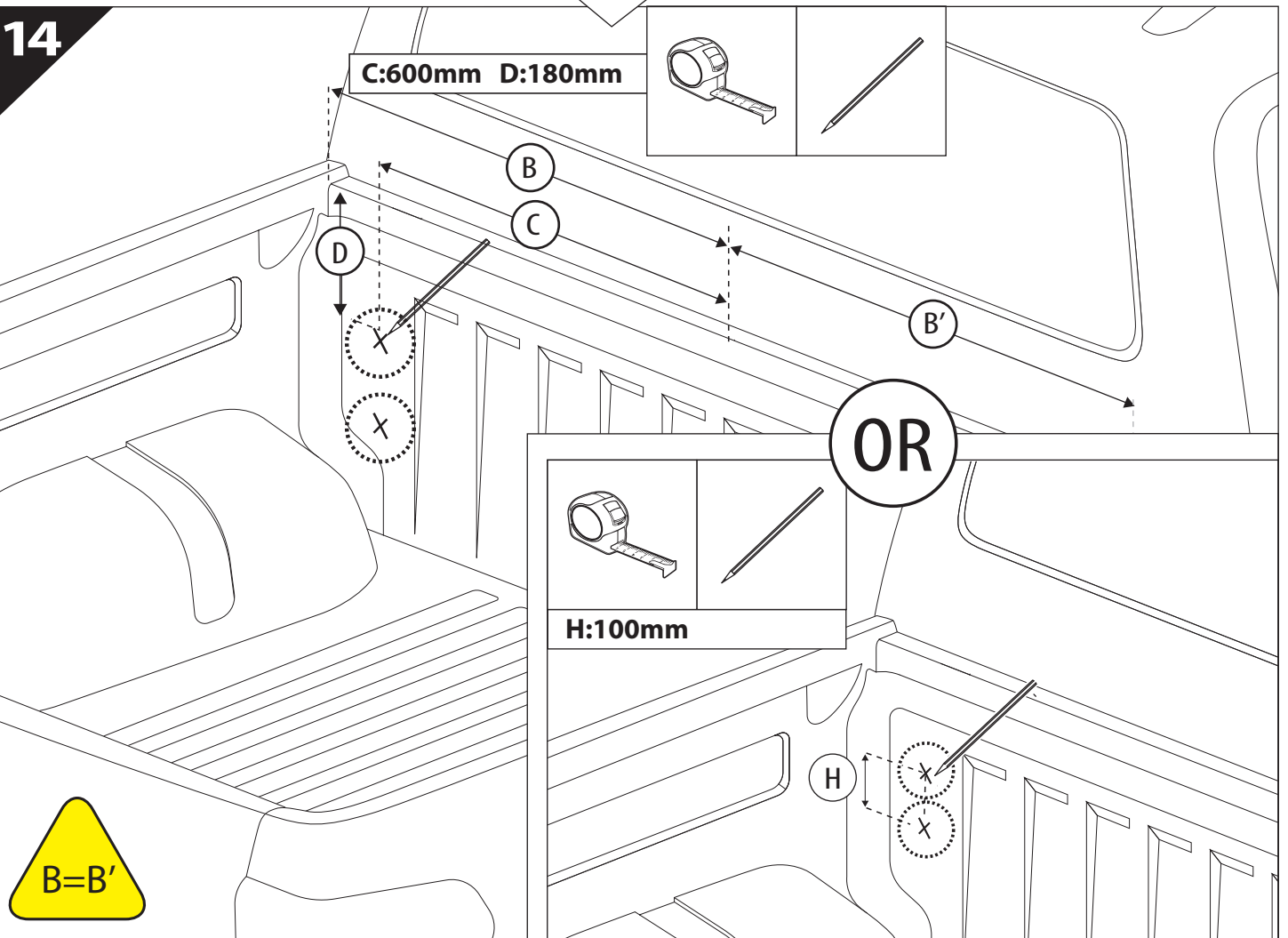
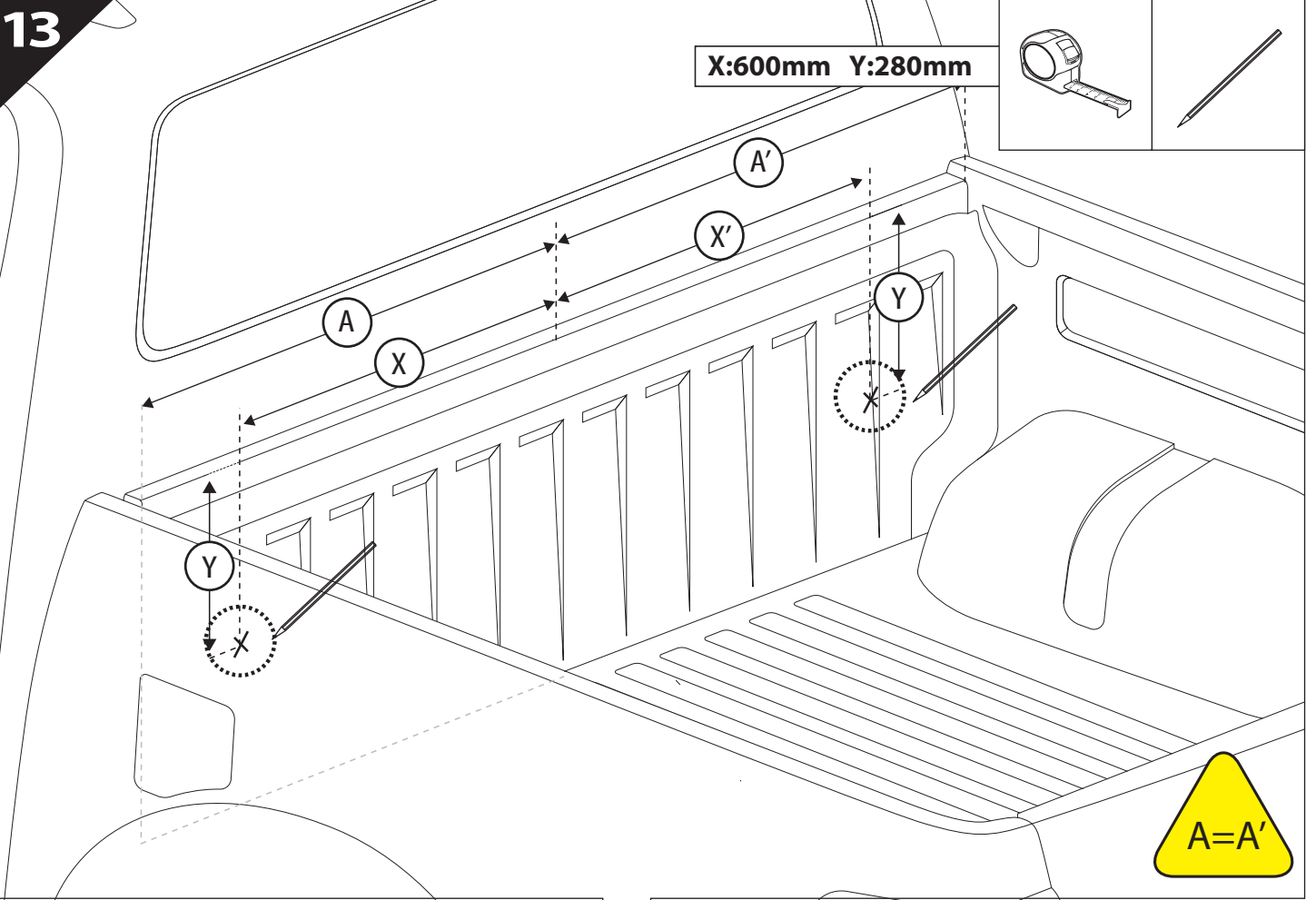


12



12.0





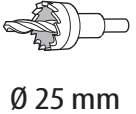
15

CAUTION

CAUTION

max: 2 mm

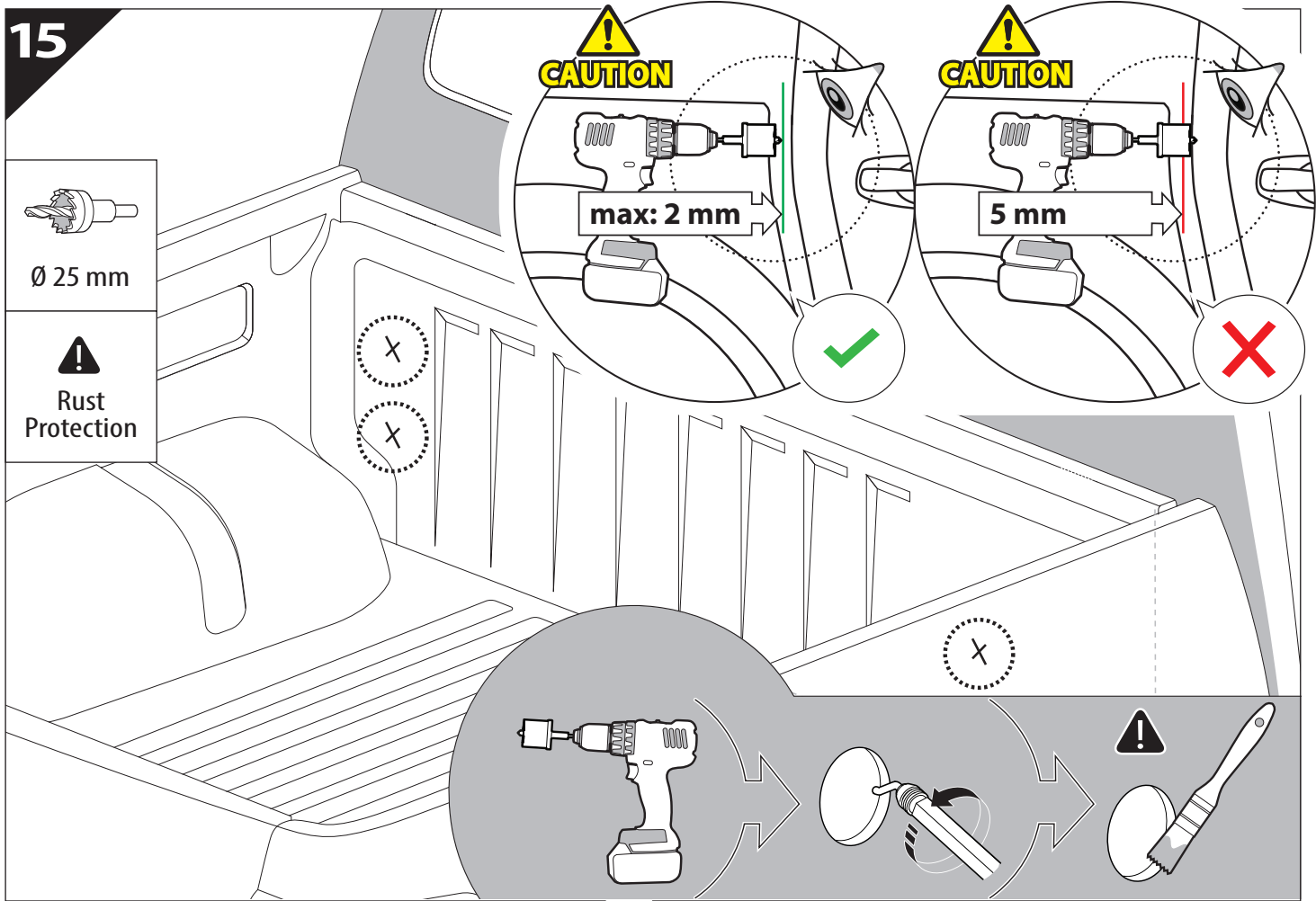
5 mm



Ø 25 mm

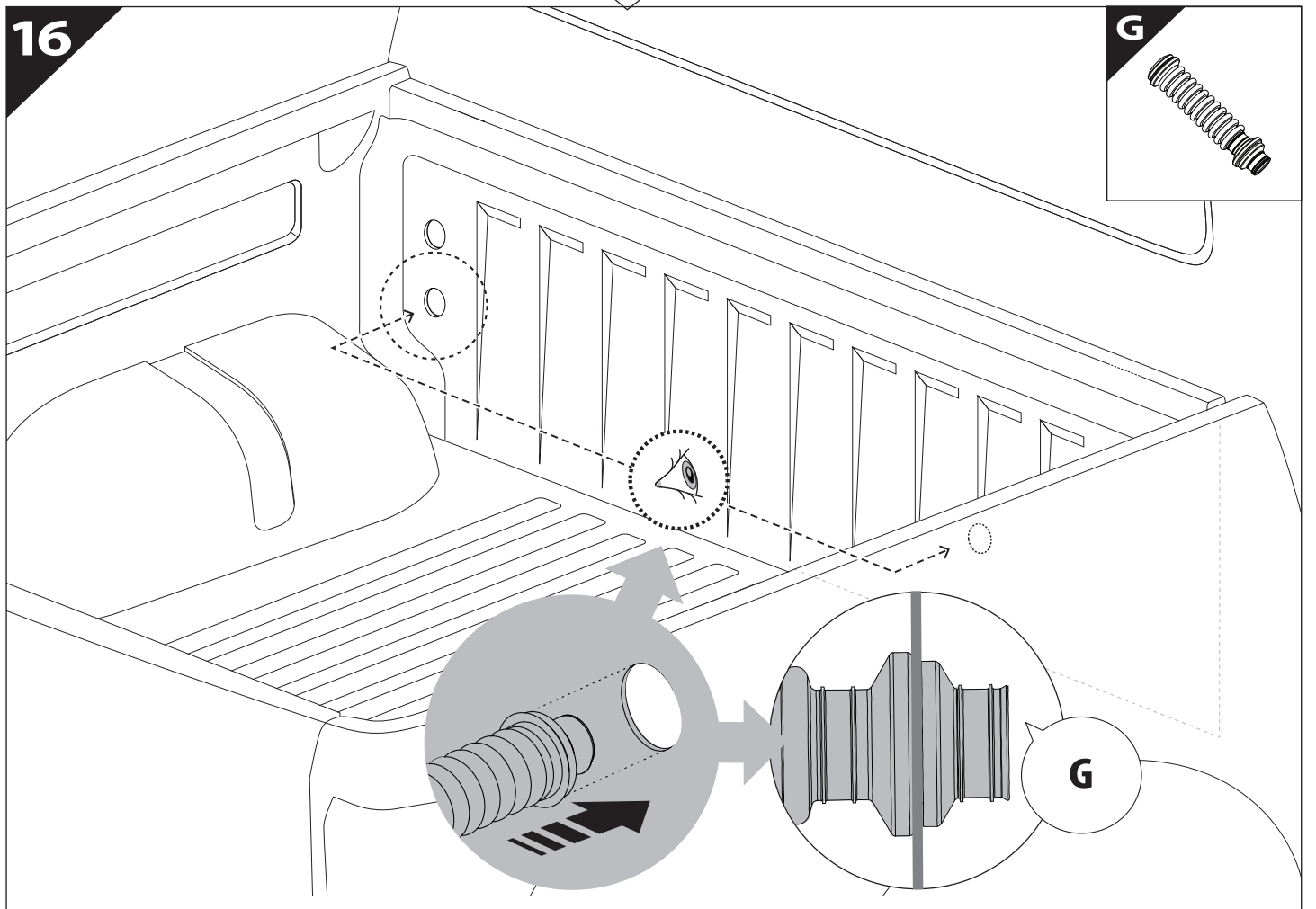


Rust Protection



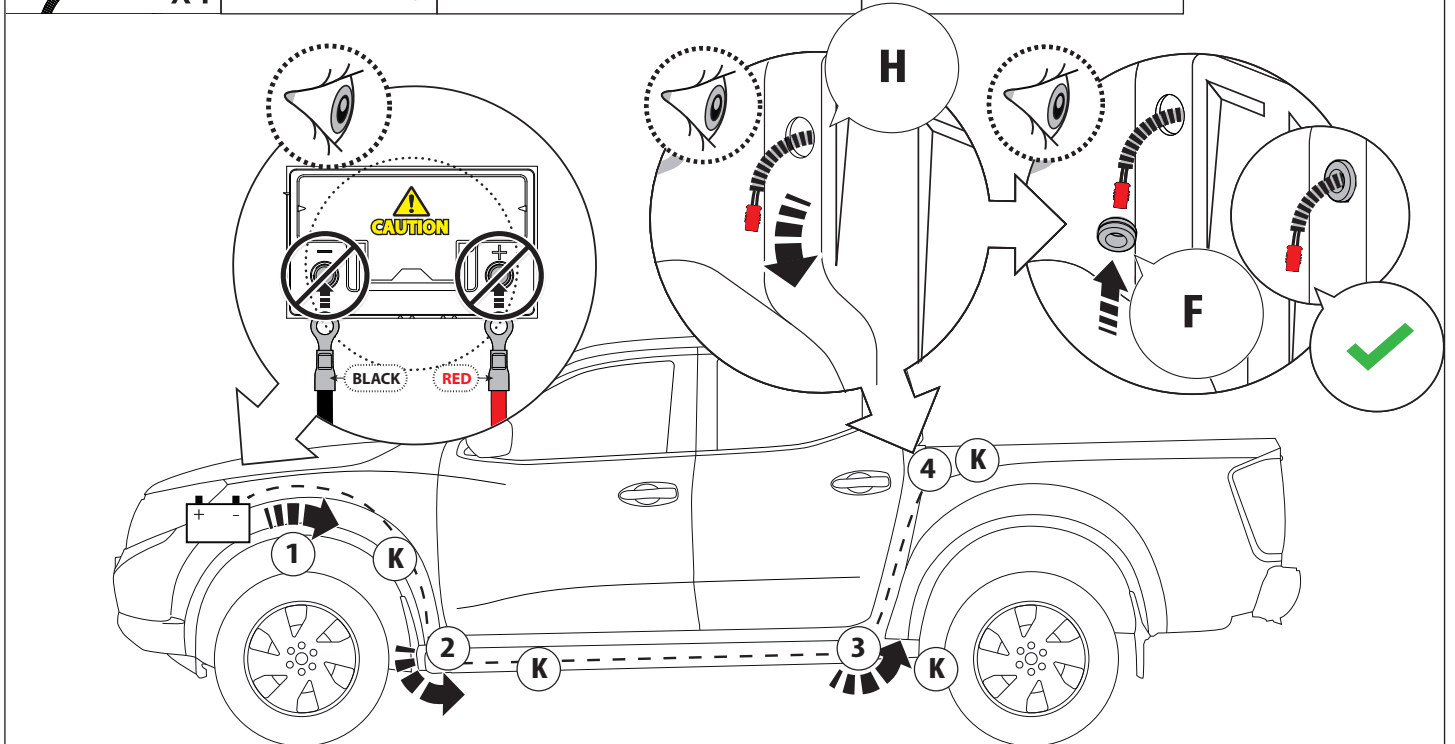
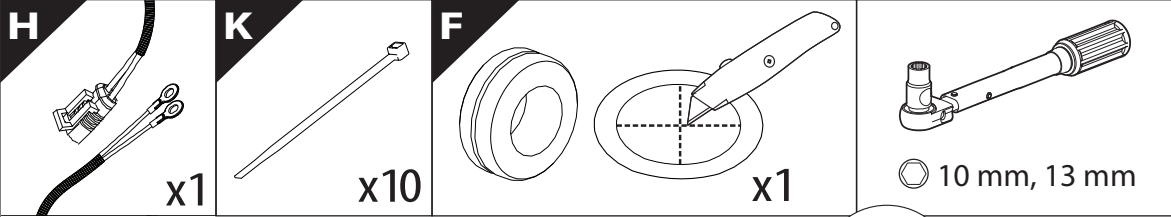
16

G

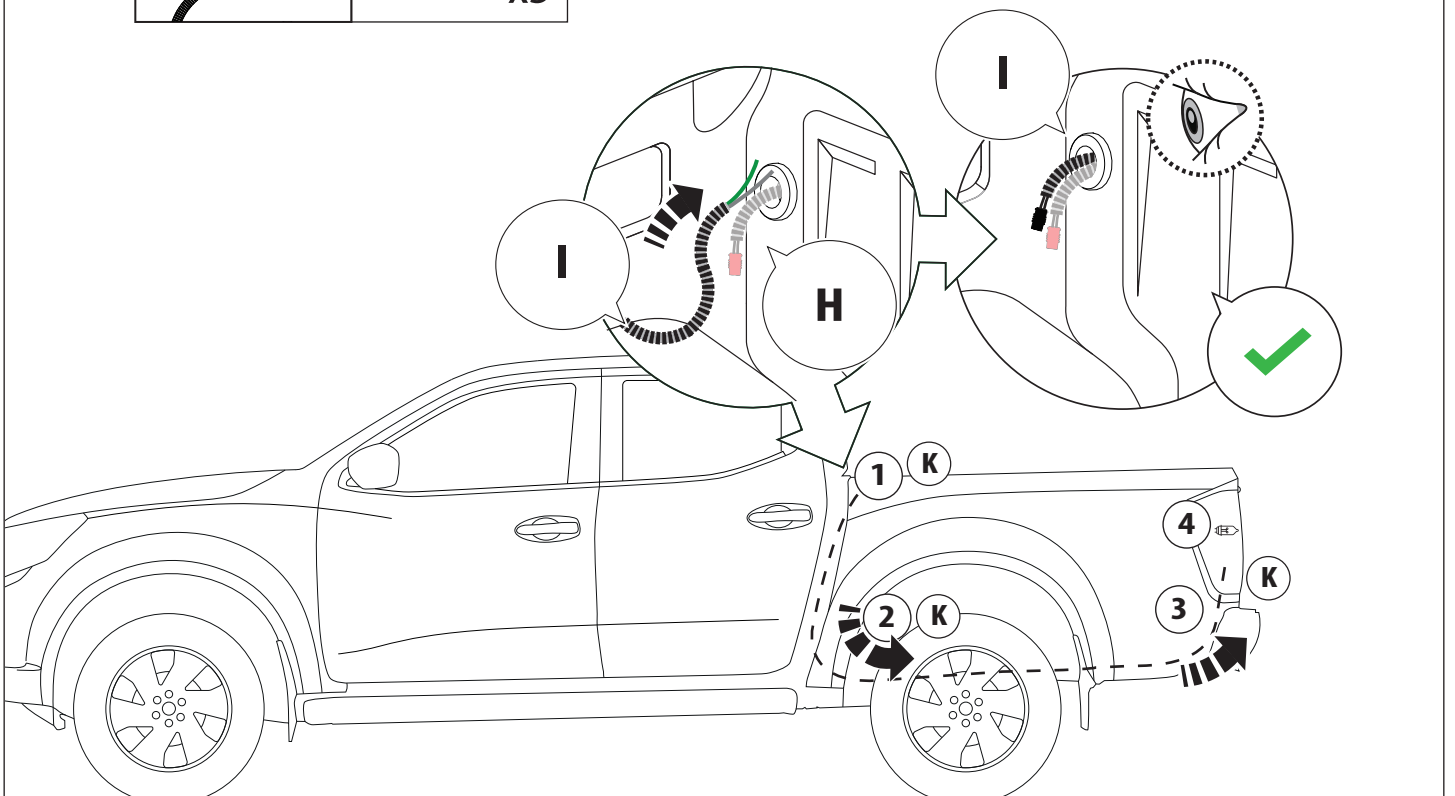
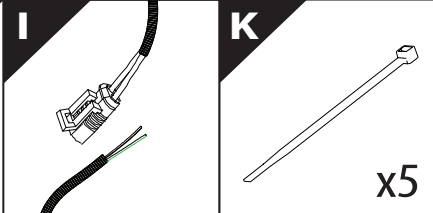


17

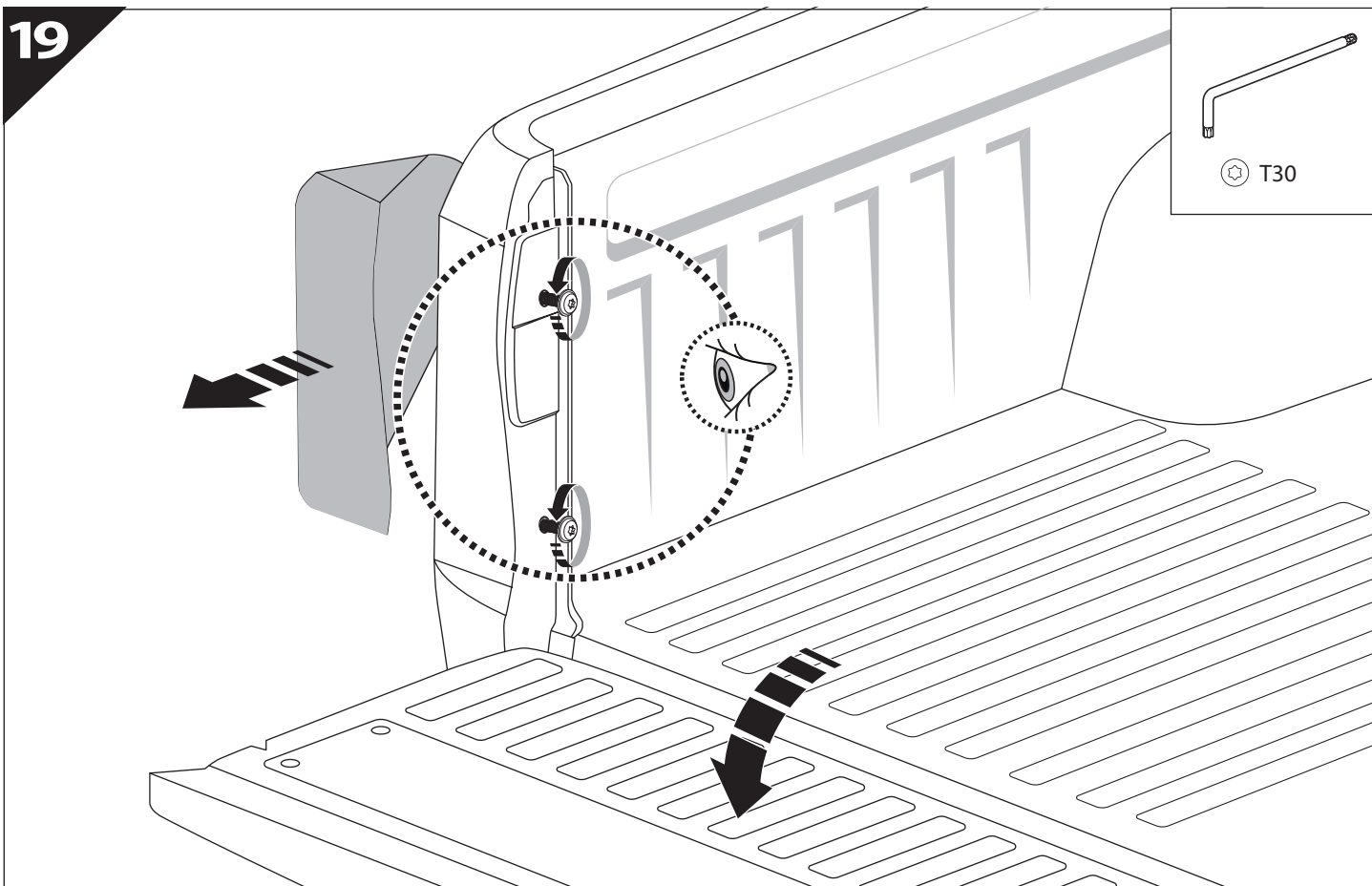
Only to be installed by authorized personnel



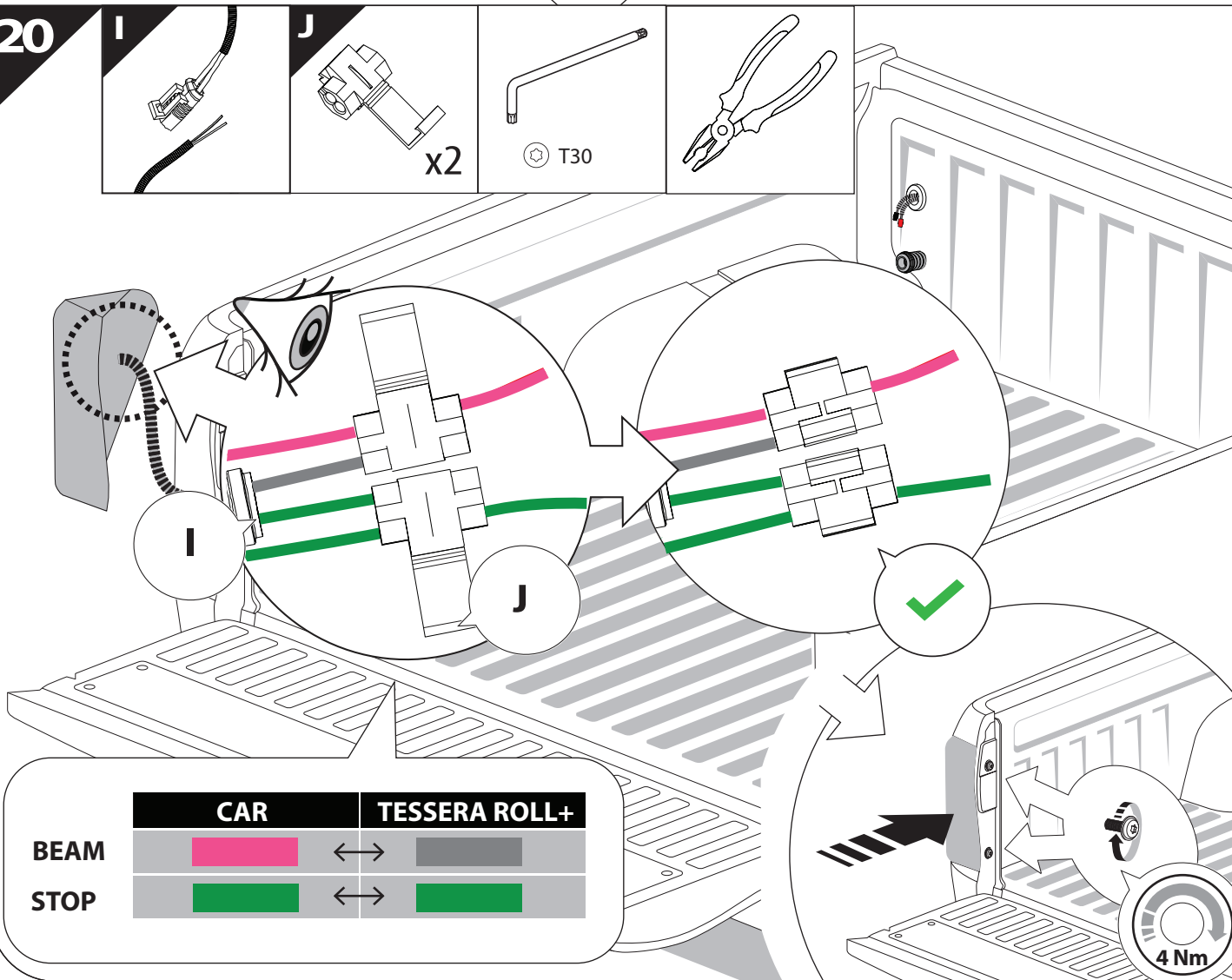
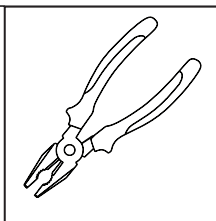
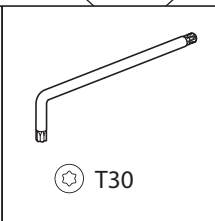
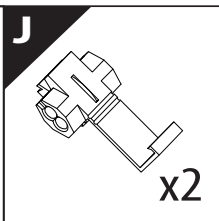
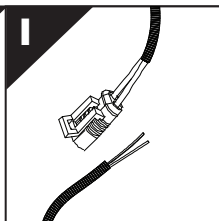
18



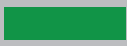
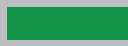


19

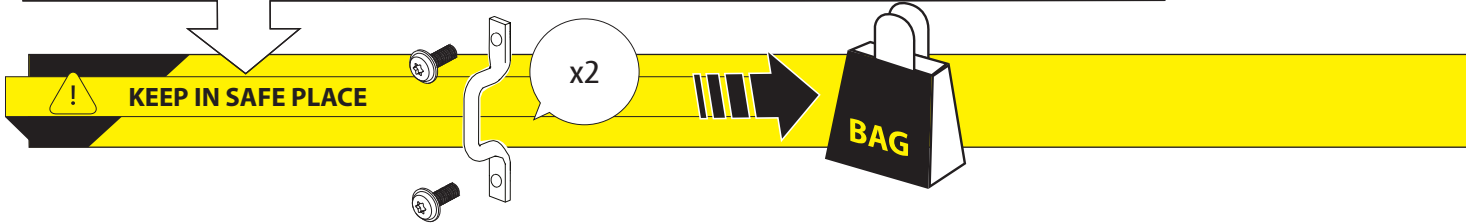
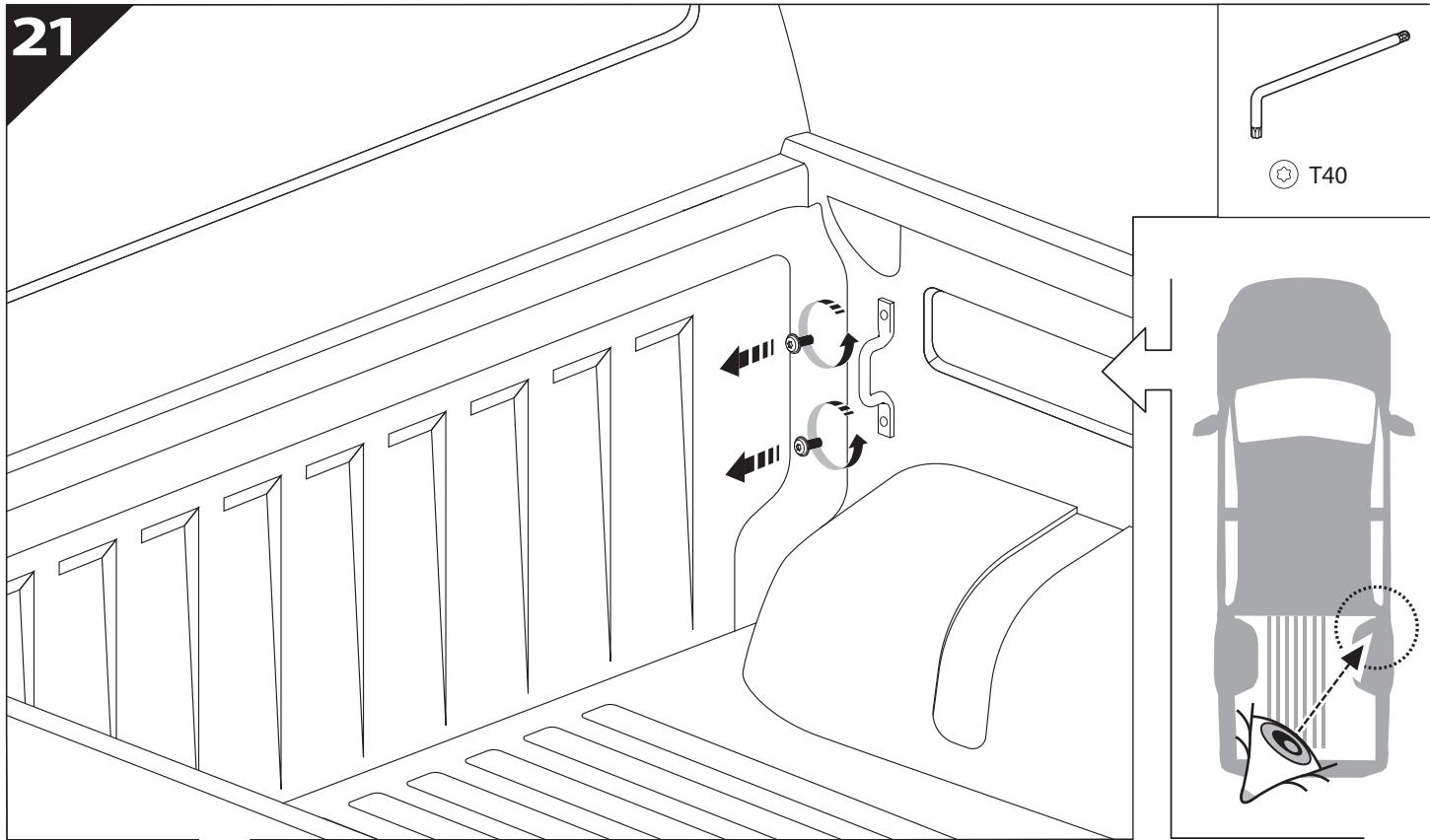


20

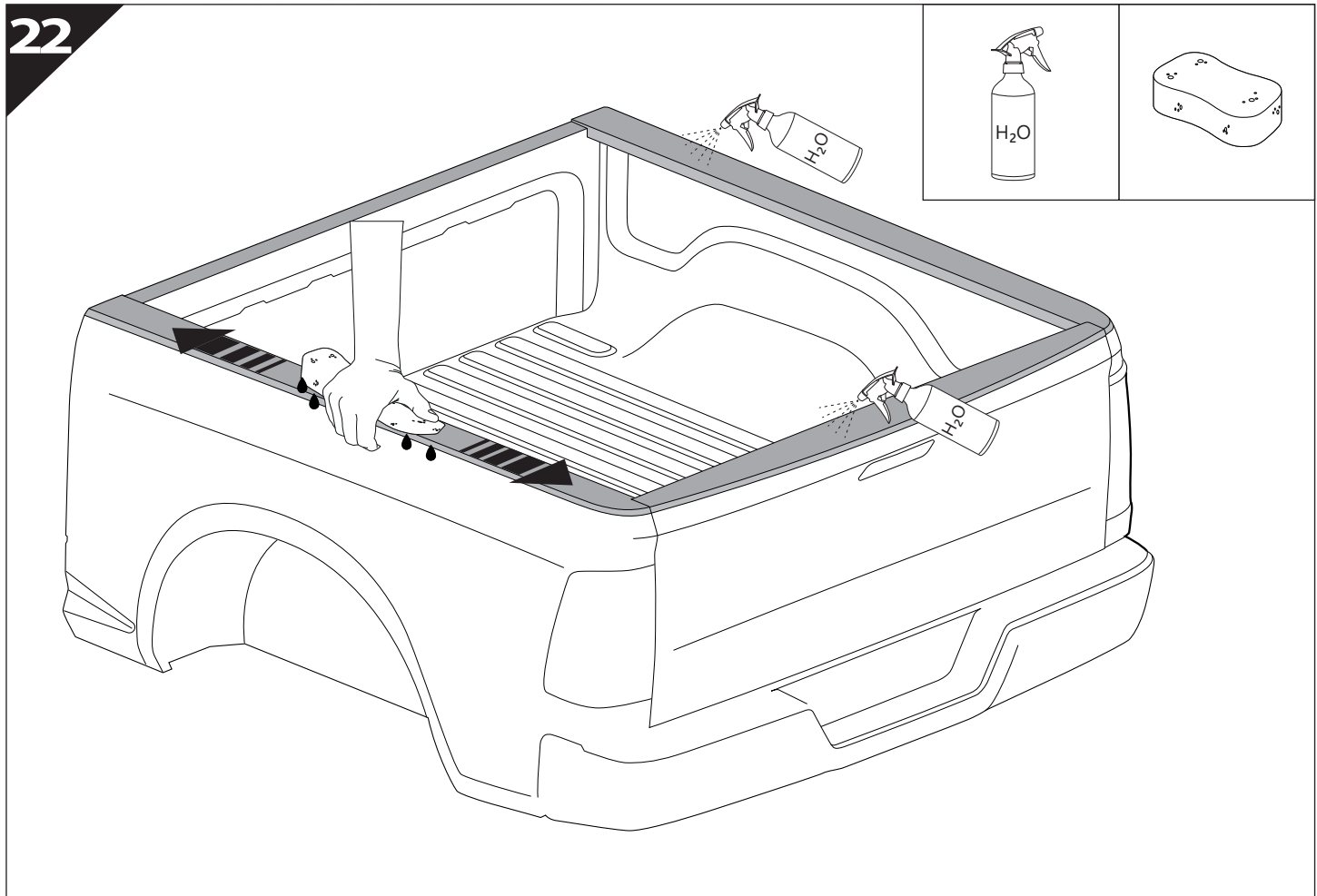


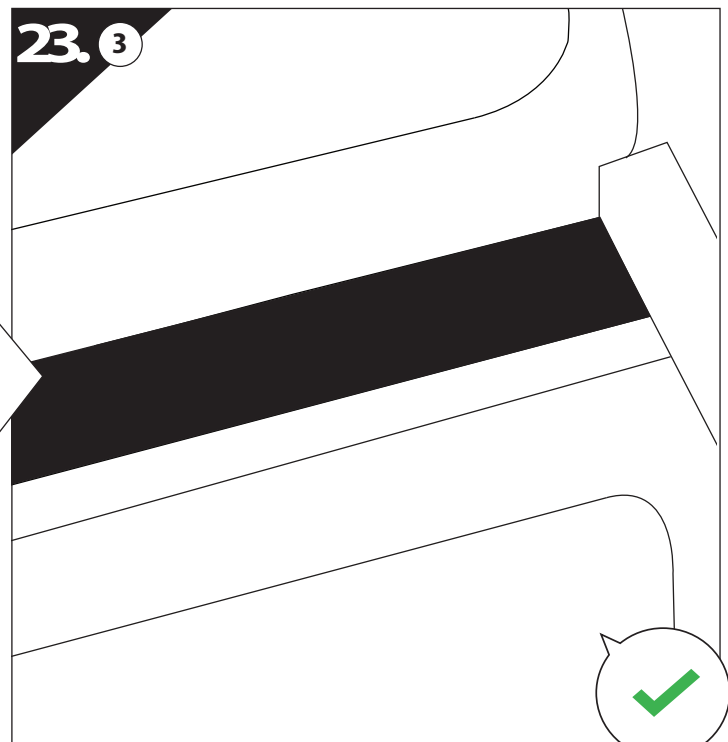
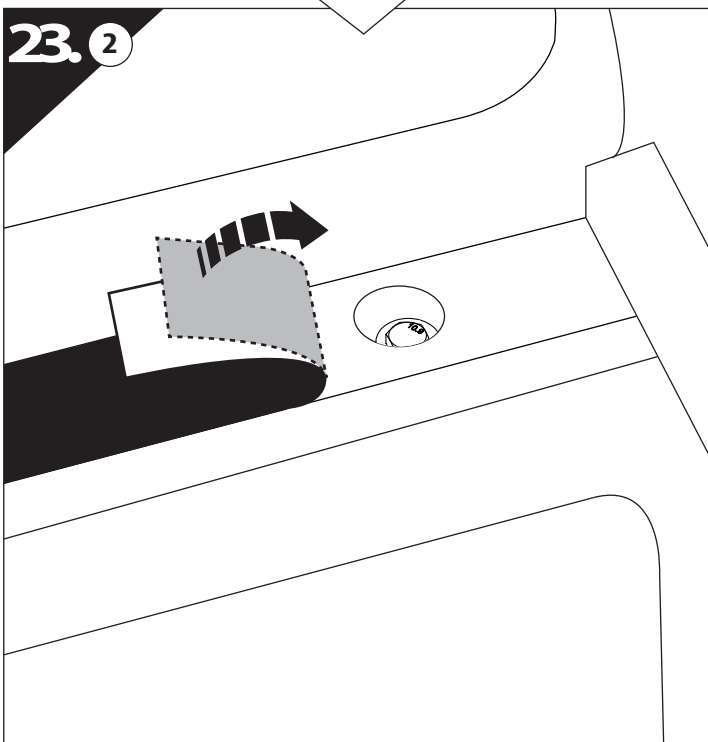
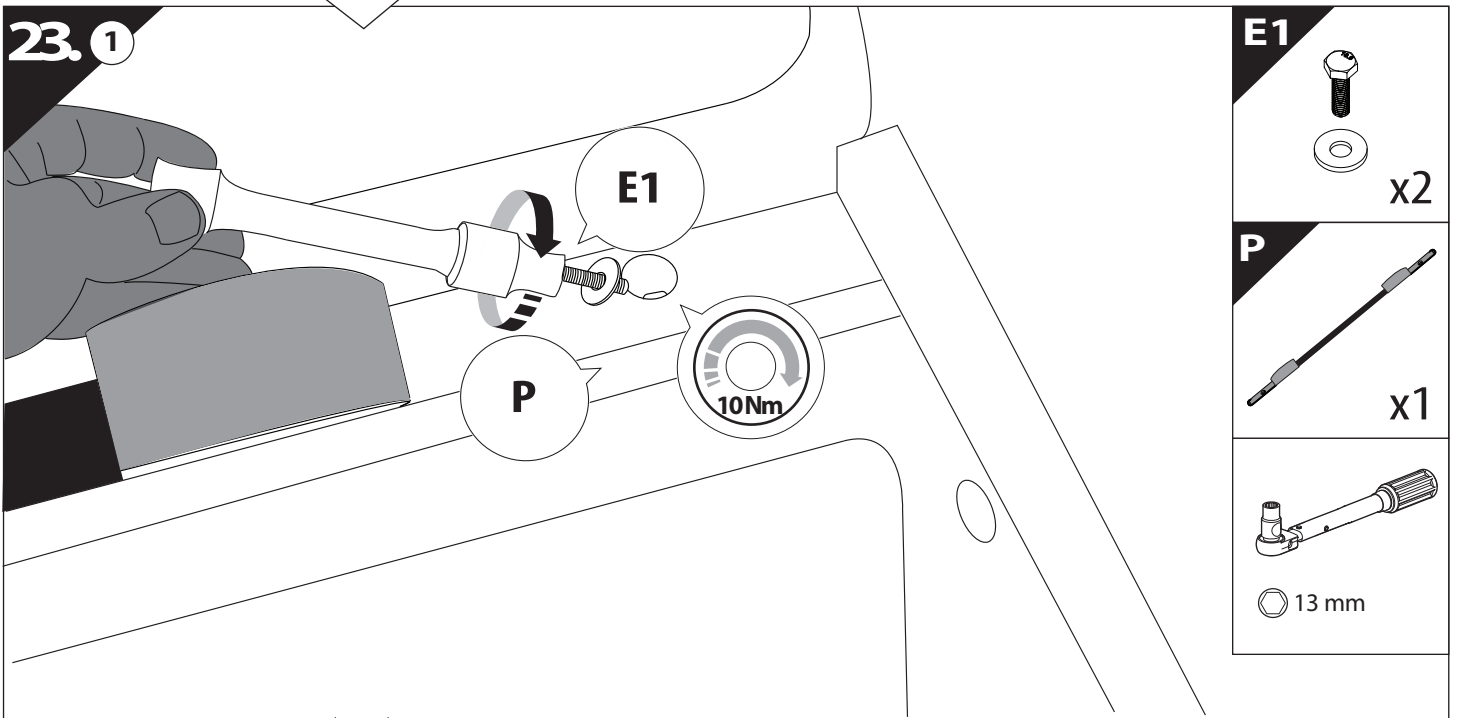
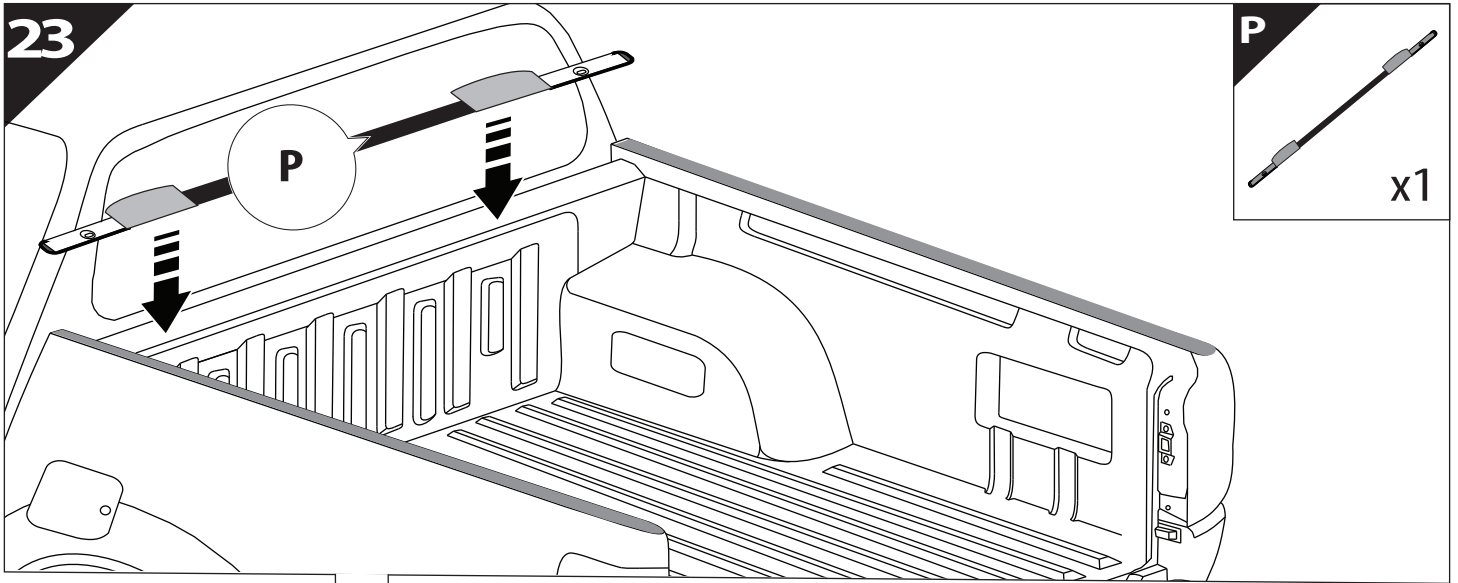
	CAR		TESSERA ROLL+
BEAM		↔	
STOP		↔	

21



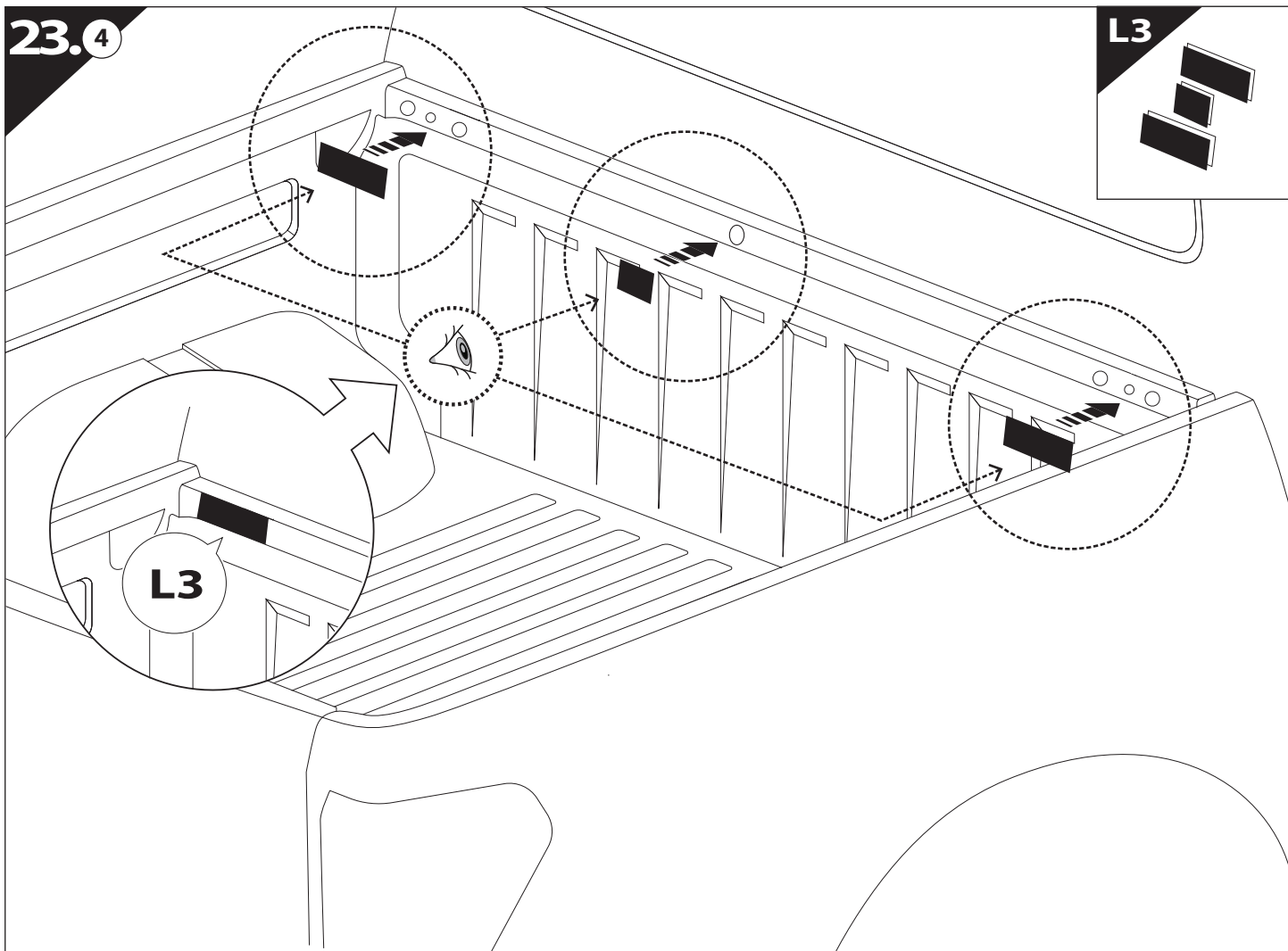
22

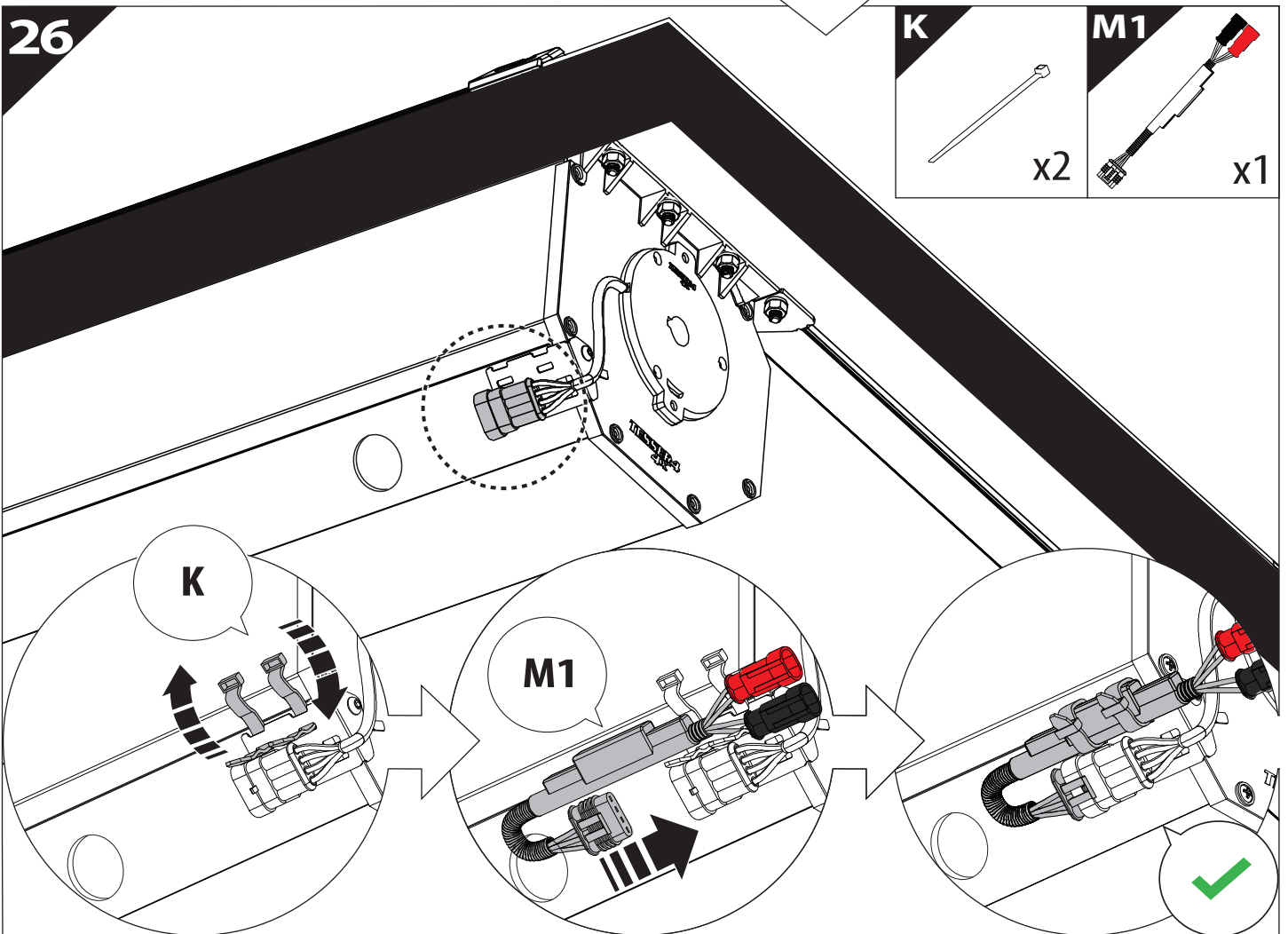
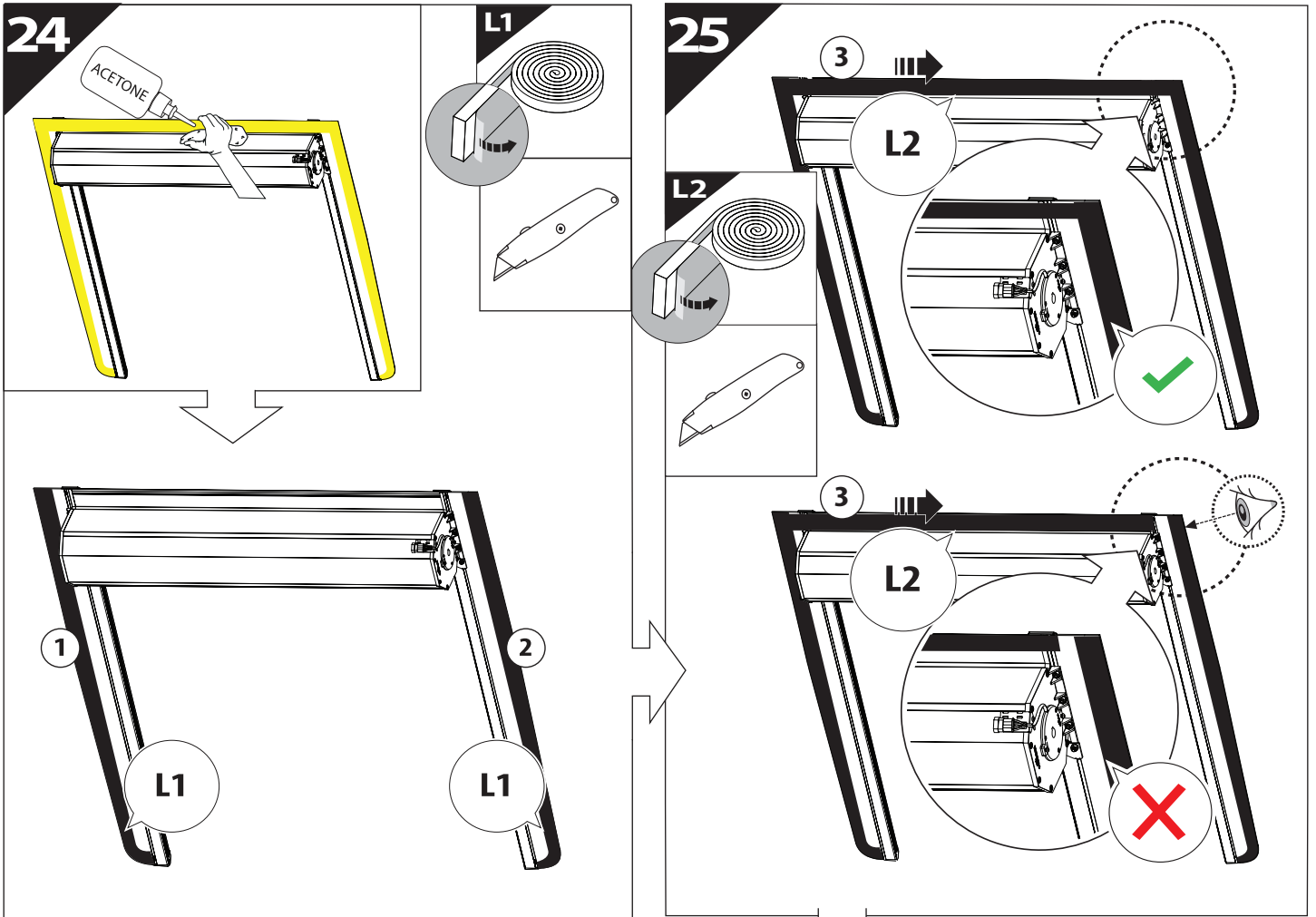


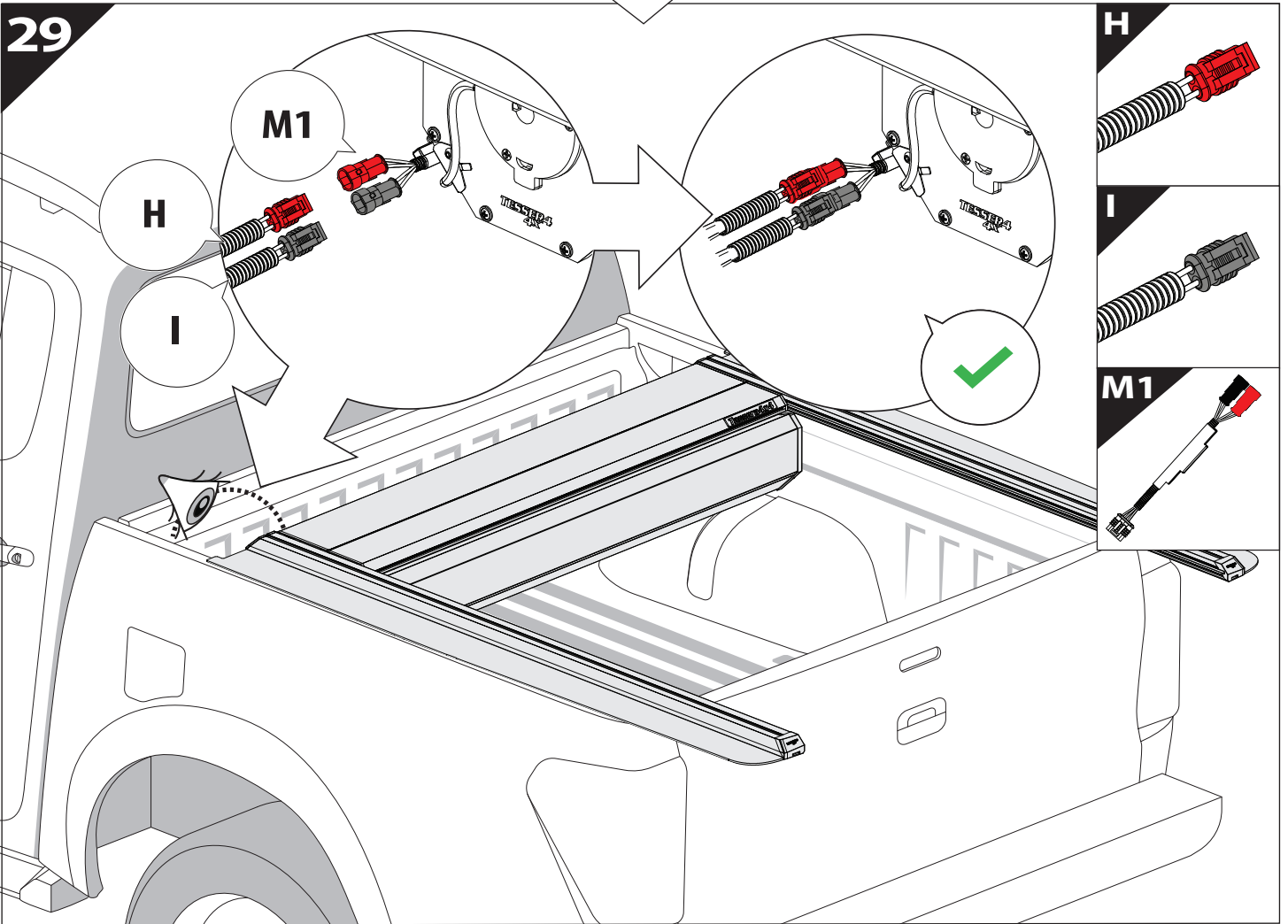
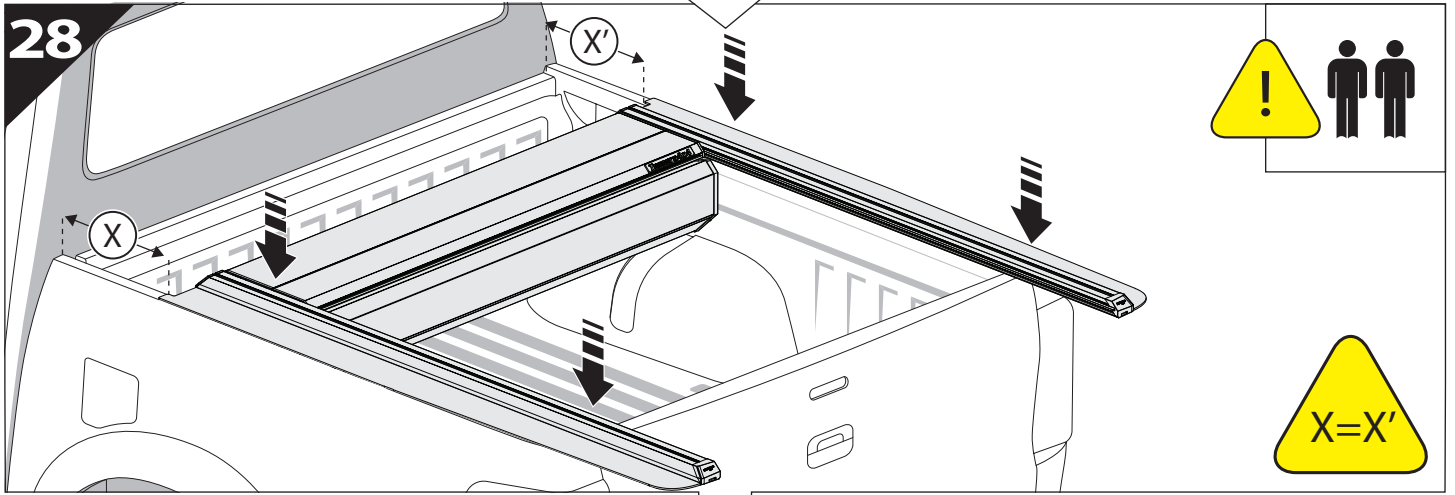
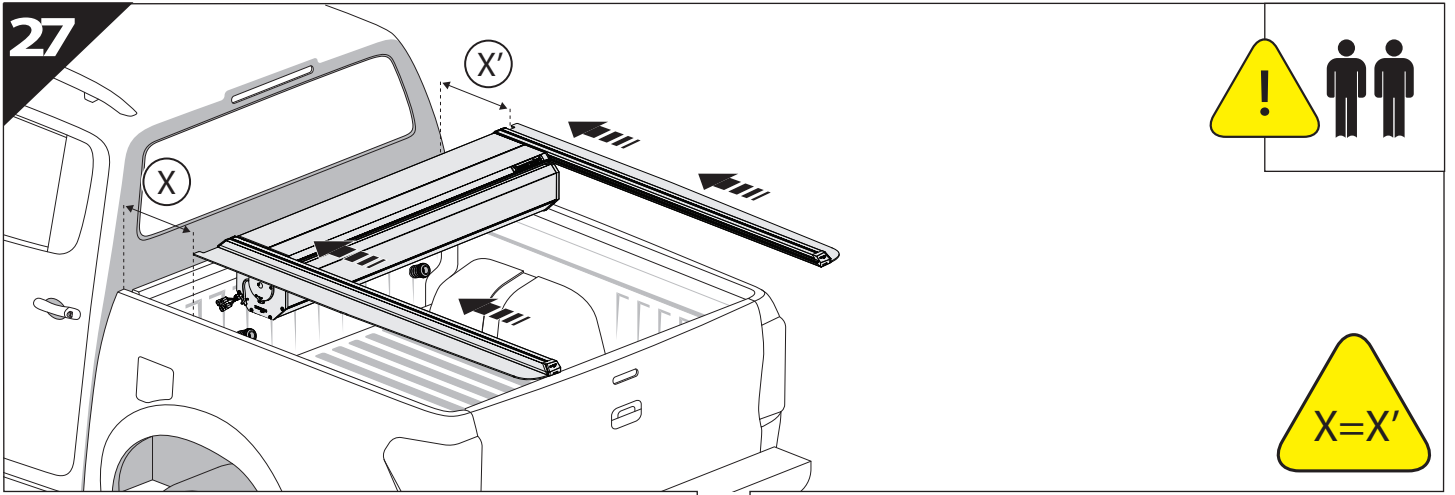


23.4

L3

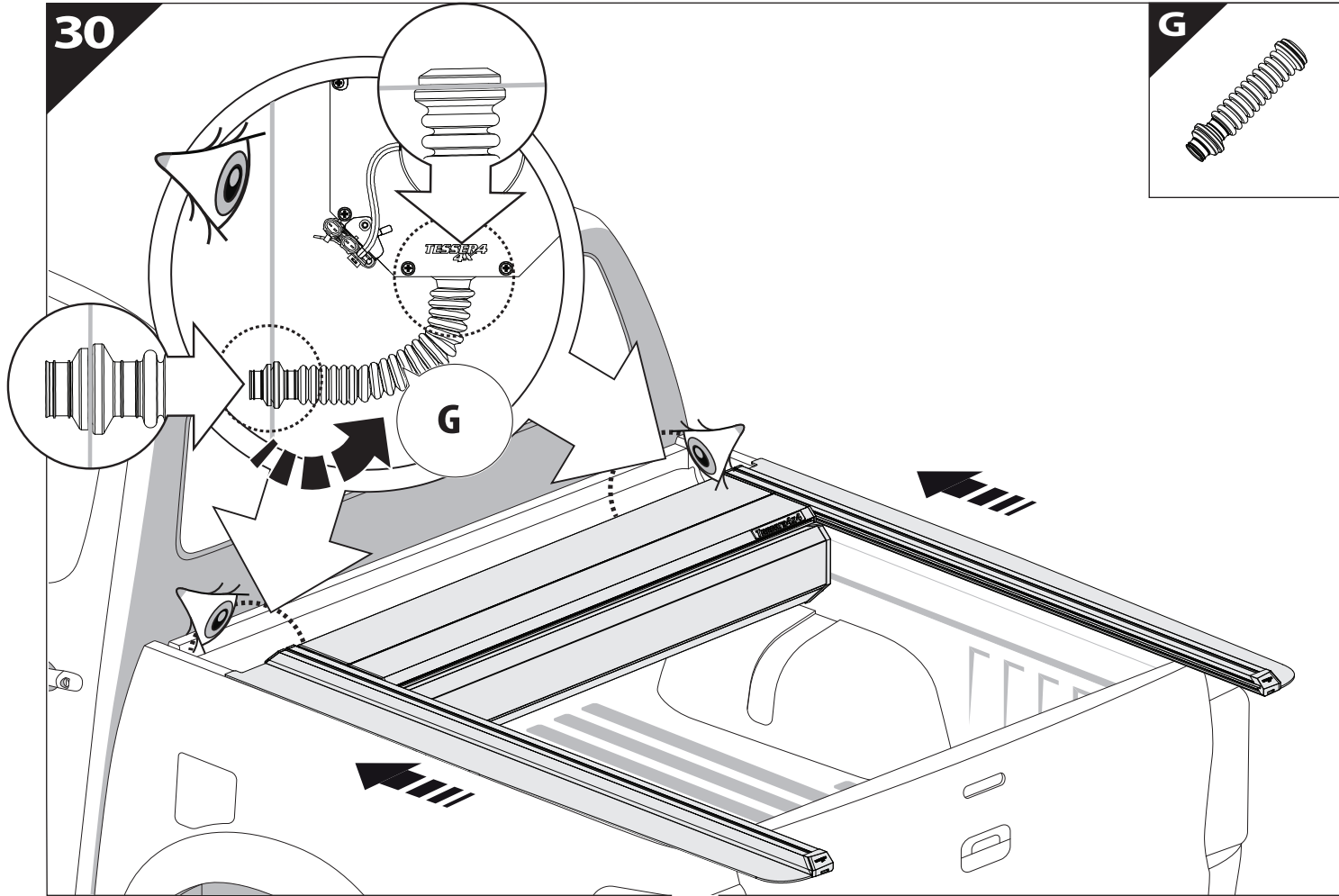




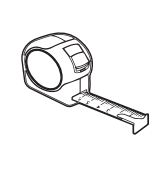
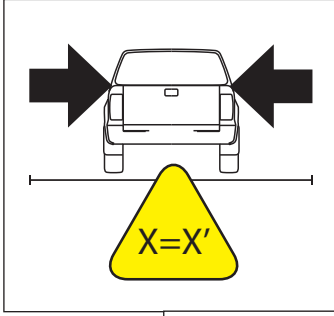
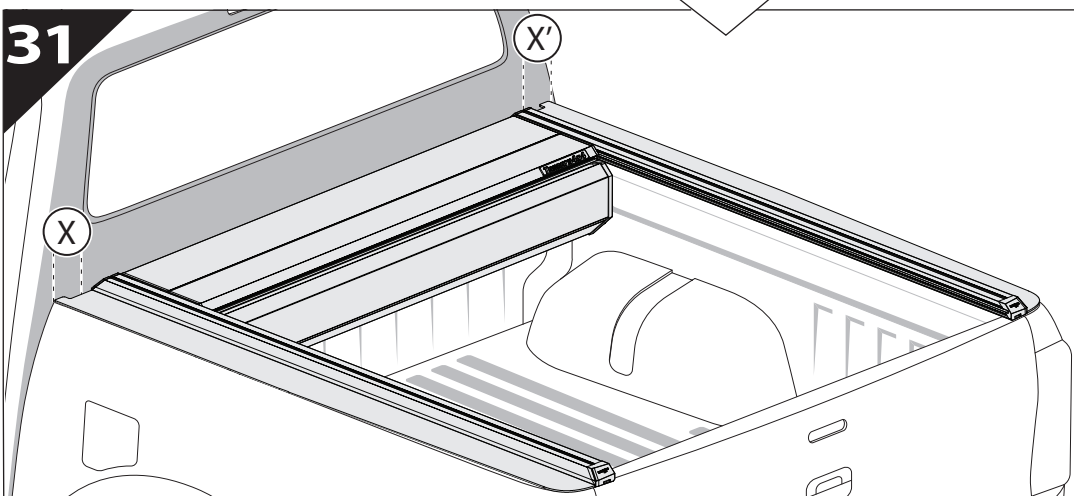


30

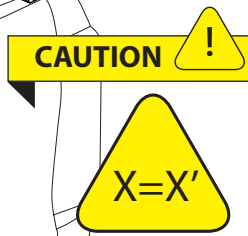
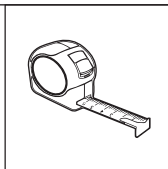
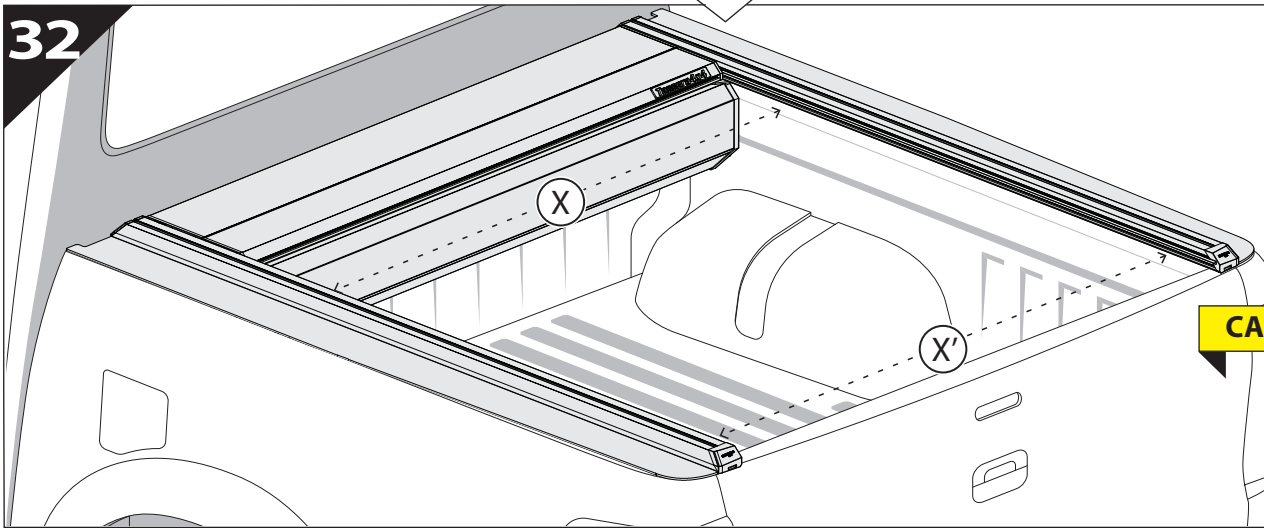
G

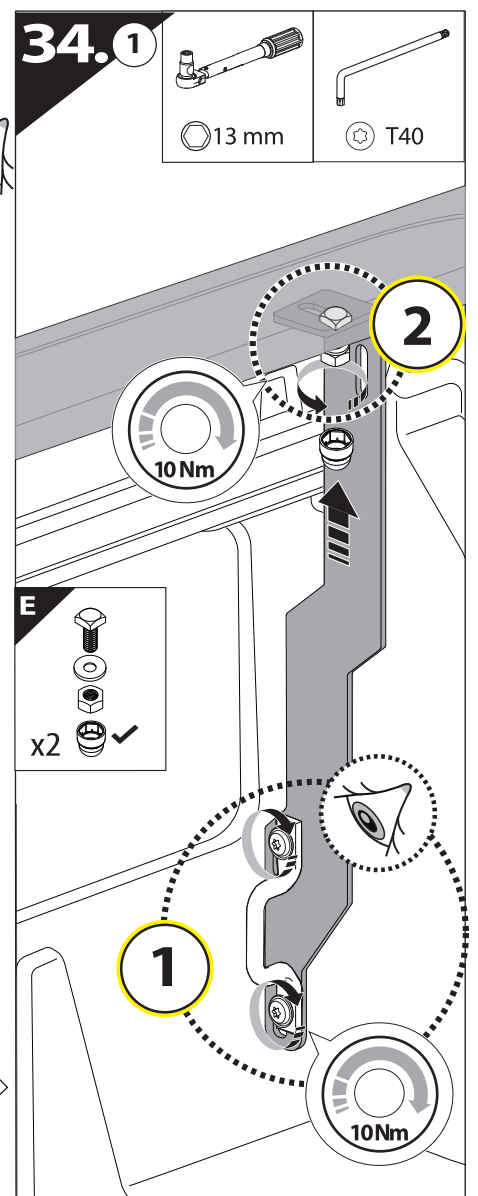
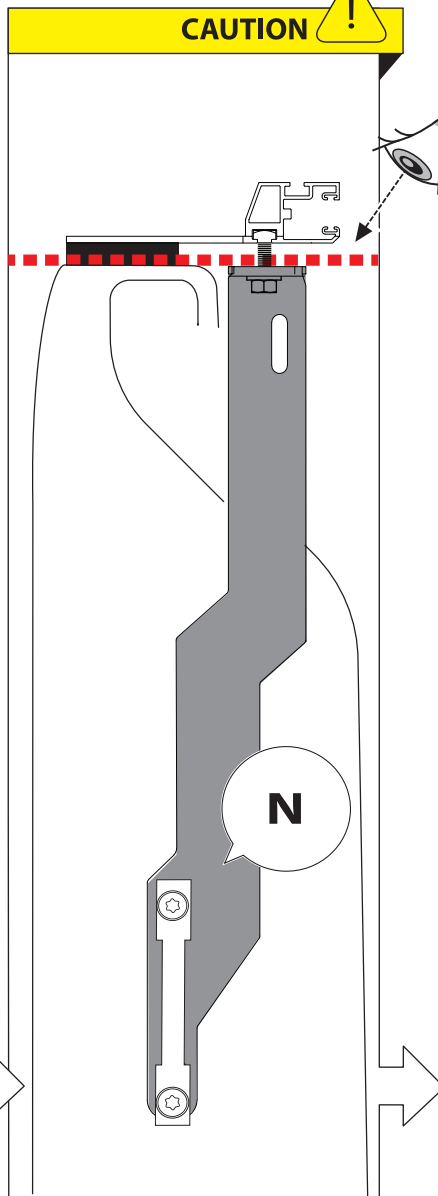
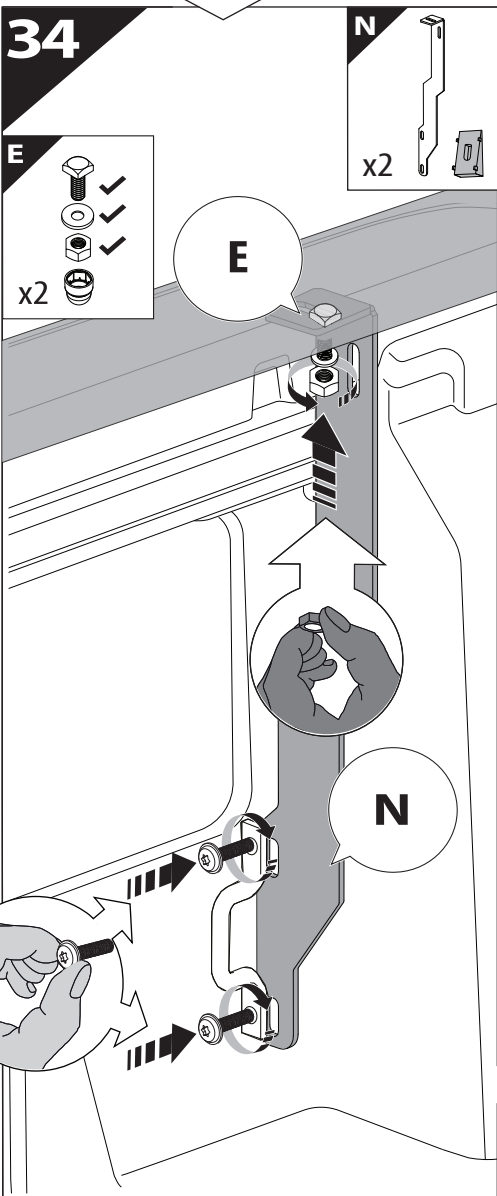
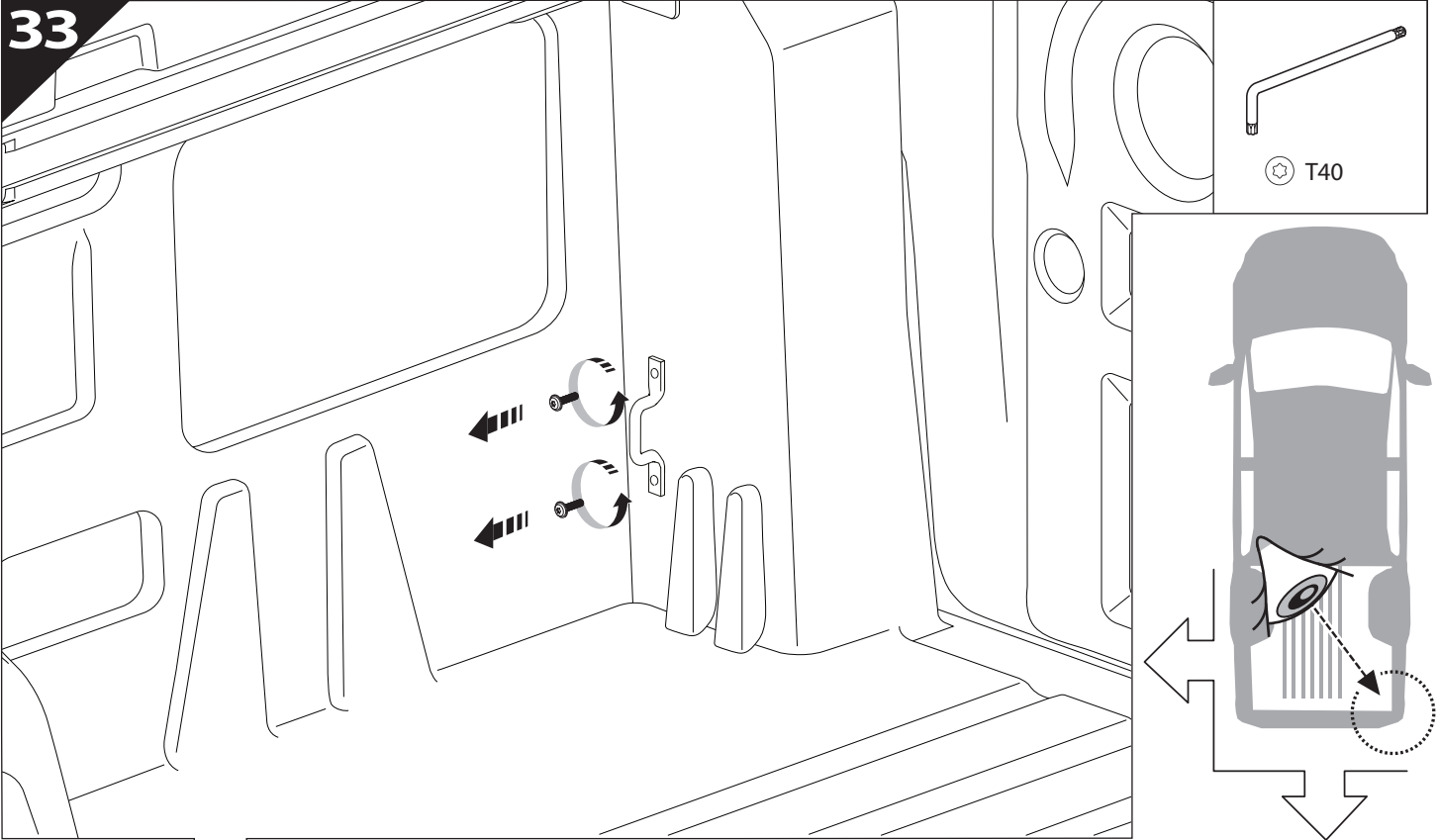


31



32



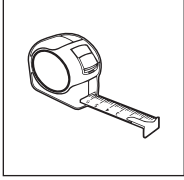


O

E

- ✓
- ✓
- ✓
- x2

CAUTION !



1

2

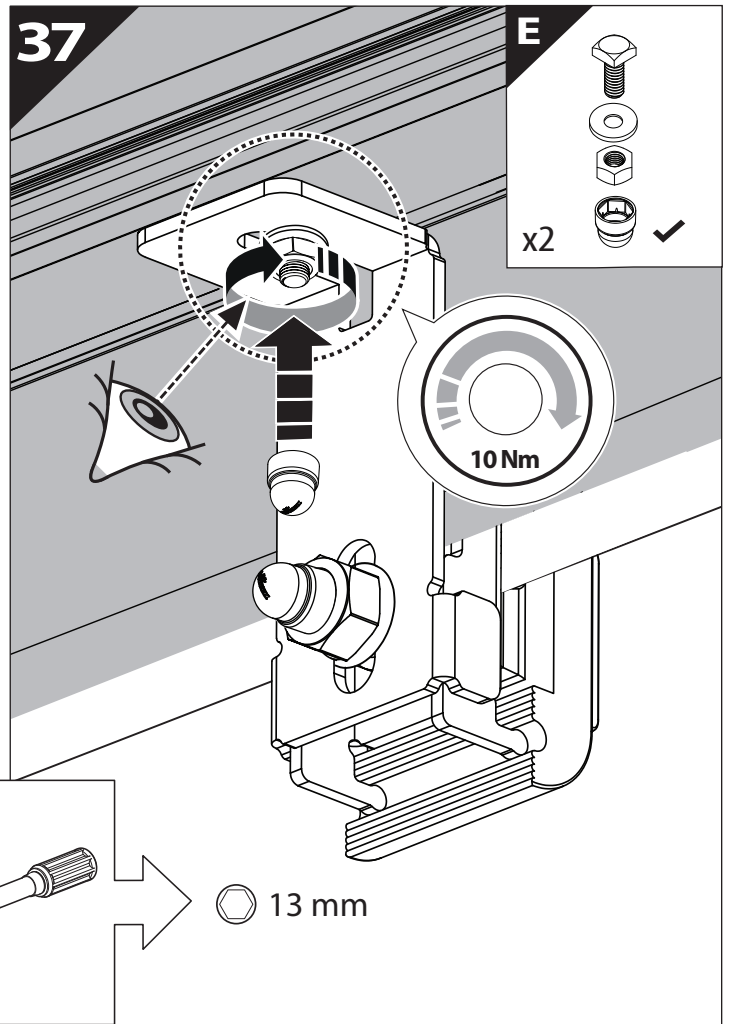
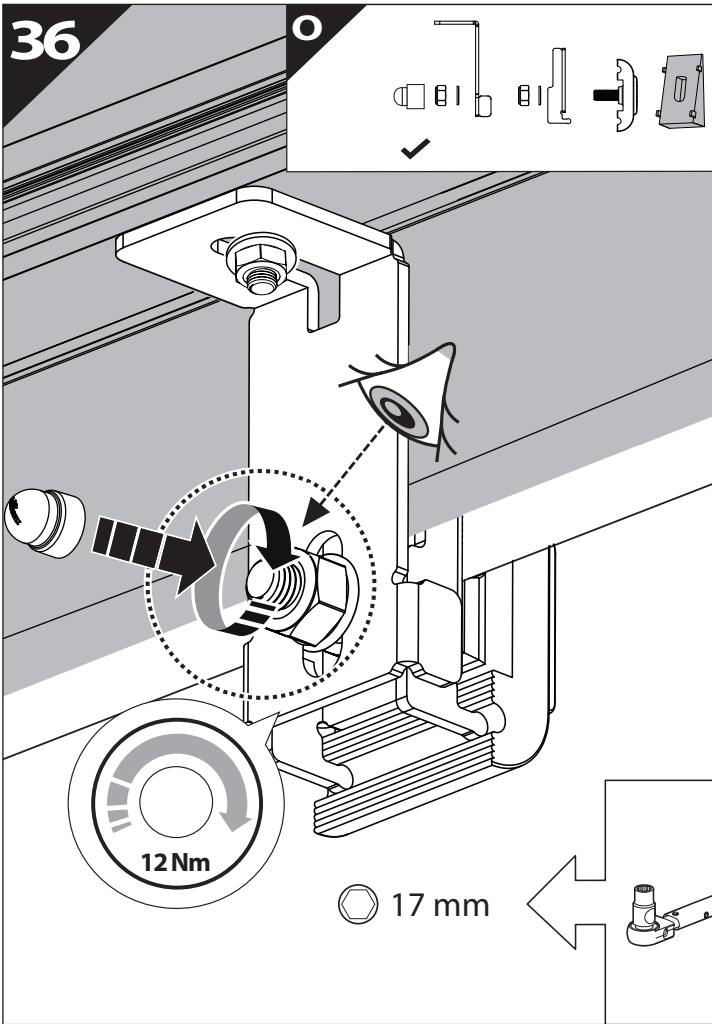
3

4

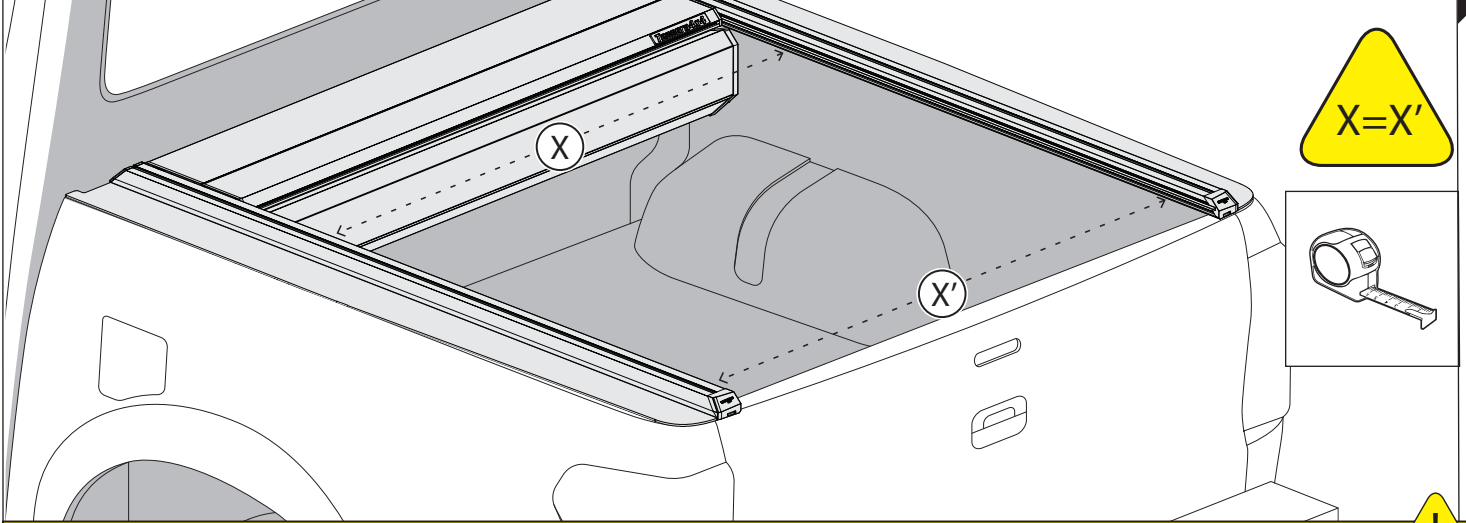
12 Nm

CAUTION !

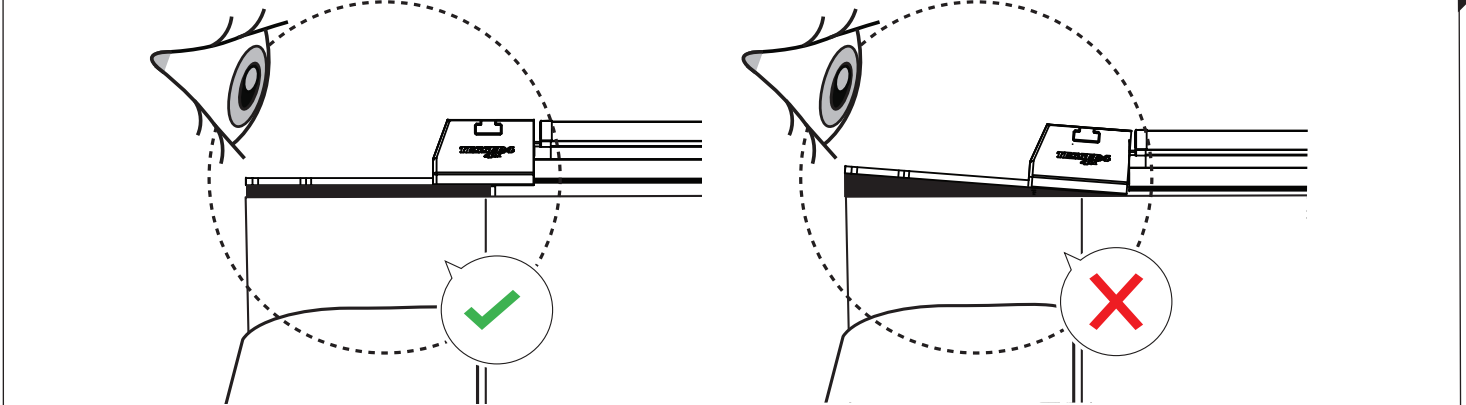
✓



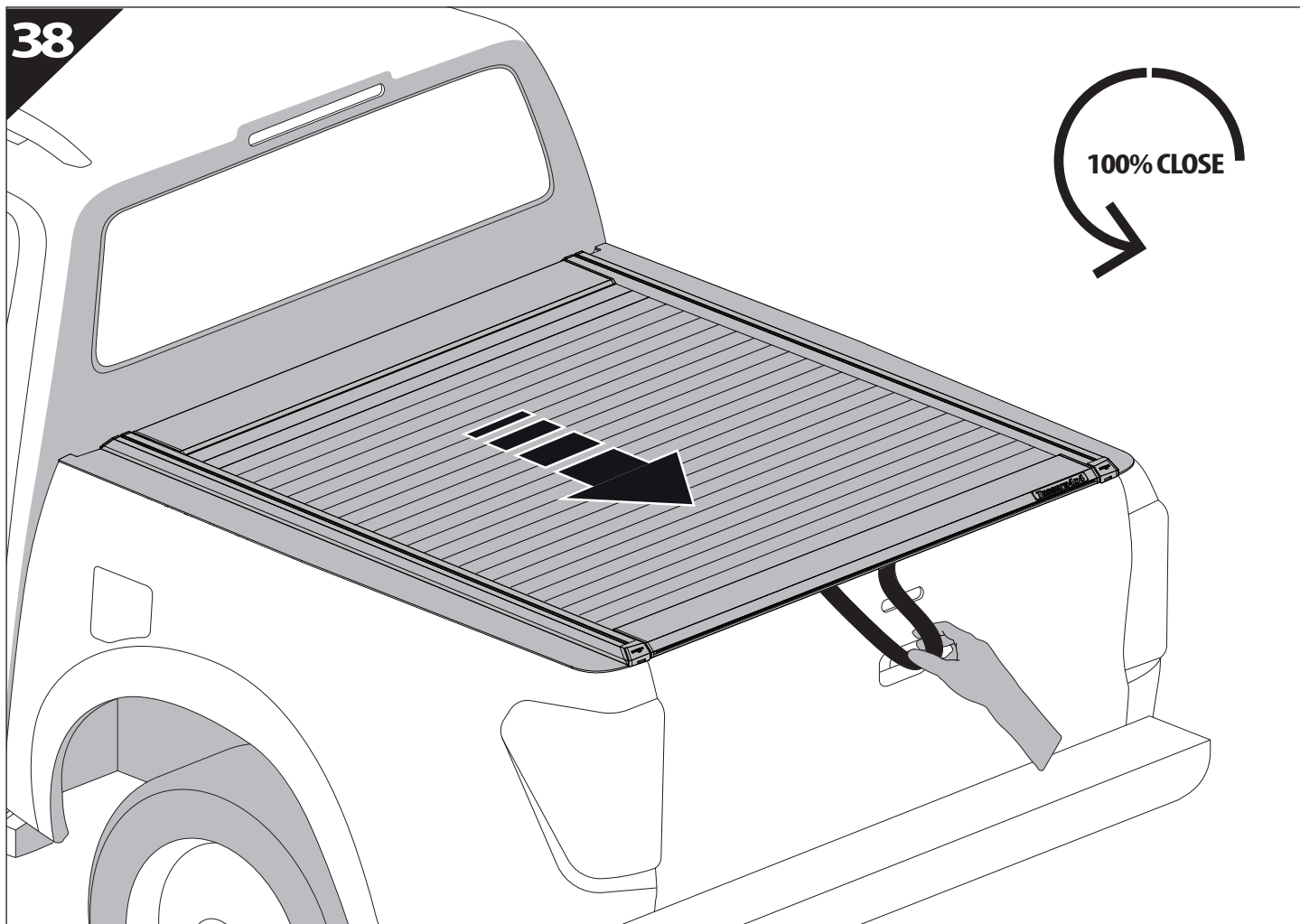
CAUTION !



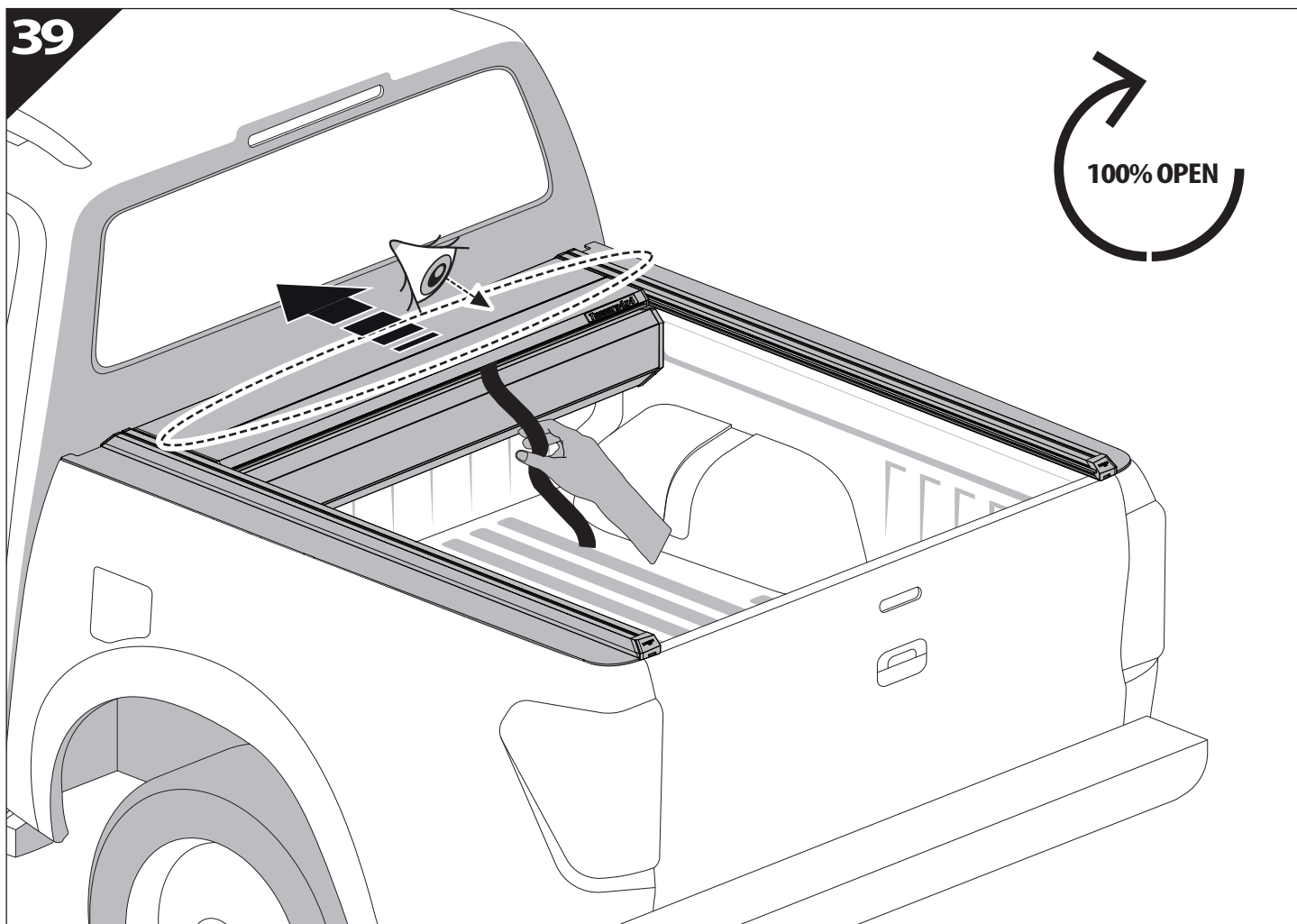
CAUTION !



38



39





GR: Οδηγίες Εγκατάστασης
GB: Installation manual
SF: Asennusohje
F: Notice de montage
PL: Instrukcja montażu
NL: Installatie-instructies
TR: Montaj Talimatı
S: Monteringsanvisning
E: Instrucciones de montaje

H: Szerelési utasítás
P: Instruções de instalação
RUS: Инструкция по установке
N: Monteringsveiledning
D: Einbauanleitung
CZ: Návod k instalaci
I: Istruzioni de montaggio
DK: Monteringsvejledning
RO: Instructiuni de instalare

Customer Service:

+30 (210) 5541161, +30 (210) 5541154 (08:00 - 16:00 EET)

Support department:

info@gianso.gr

Website:

www.tessera4x4.com

Address:

19.5 km of National road Athens-Korinthos (Elefsina) Greece, P.C: 19200