

PRODUCT CATALOGUE

Effective 1 June 2024

INTERNATIONAL

VOLUME 23

{ IRONMAN }
4X4

Warranty Periods

Full warranty terms and conditions are located on the last pages of this Catalogue

PLEASE NOTE:

No Warranty Claims or Goods Returned will be accepted unless accompanied by a completed WARRANTY CLAIM / GOODS RETURN FORM.

Category	Product Group	Warranty - 1 Dec. 2022 Onwards	Notes
Front, Rear, Underbody, and Side Protection Products	Bullbars	3 Year	Excluding Third Party Colour Coding
	Side Steps / Rails	3 Year	Excluding Third Party Colour Coding
	Underbody Protection	3 Year	
	Rated Recovery Points	3 Year	
	Monster Winches	5 Year - Mechanical 1 Year - Electrical	
	Towbars	3 Year	
Electrical	Vehicle Lighting	3 Year	
	Vehicle Power	3 Year	
Alu-Cab Products	Purchases Before 18 November 2023	1 Year - Moving Parts	3 Year Structural Components
	Purchases After 18 November 2023	1 Year - Moving Parts	2 Year Structural Components
Roof Racks	Steel and Alloy Mesh Roof Racks	3 Year	
	Atlas Roof Racks	5 Year	
Ute Tub	Slide-Away	3 Year	
	Canopies ¹	3 Year ¹	Excluding Third Party Colour Coding ¹ Glass not covered under warranty
	Drawer Systems	2 Year	
	Camping Furniture	1 Year	
	Fender Flares	1 Year	
	Ice-Cube Fridges	3 Year - Components 5 Year - Compressor	
	Maxi Cases / Storage	2 Year	
	Outdoor Lifestyle Products	1 Year	
	Portable LED Lighting	1 Year	
	Portable Power Products	2 Year	
	Reco-Traks	Limited Lifetime	
	Recovery Equipment	2 Year	
	Roof Bags	1 Year	
Other Products	Seat Covers / Interior	1 Year	
	Snorkels	5 Year	
	Tents, Awnings and Swags	2 Year	
	Tyre Repair	3 Year	
	Water Tanks and Accessories	2 Year - Tanks 1 Year - Pumps and Accessories	
	Suspension	4 Year	Unlimited km
	Serviceable Wearing Components*	1 Year	*Ball Joints, Bushes, Shackles, Pins and Liners
	GVM Upgrades	2 Year	Up to 40,000km
	Load Plus	2 Year	Unlimited km

Suspension warranty covers shock absorbers, struts, torsion bars, steering dampers, steering rods, sway bars, upper control arms, coil springs, and leaf springs. Serviceable wearing components such as bushes, pins, shackles, ball joints, liners and GVM upgrade kits are not included and are covered by their own warranty periods and conditions.

All suspension products must undergo a safety check at 500km (310 miles) after fitment. Fitment should be performed by an authorised or licensed mechanic, competent with suspension installations. Special tools may be required when fitting some parts including struts. Damage to products through fitment error is not covered under warranty. Warranty may become void when product is installed in conjunction with anything other than genuine manufacturer or IRONMAN 4X4 components.

Where required, IRONMAN 4X4 recommend wheel alignment after fitment of any new suspension component. Obtaining wheel alignments are the responsibility of the buyer.

FREIGHT CONDITIONS: Freight of all products is the buyer's responsibility. Where IRONMAN 4X4 have arranged freight, costs involved will be invoiced to the buyer. IRONMAN 4X4 is not responsible for damage or loss during freight.

FITTING: All prices listed may be subject to fitting costs. The price of fitting is determined by the individual fitting agent.

Pricing subject to change without notice.

For further information please contact us on 1300 731 137 or email info@ironman4x4.com.

The names and reference numbers of manufacturers and suppliers other than IRONMAN 4X4 Pty Ltd used in this product catalogue are shown only to assist our customers in identifying replacement parts. Under no circumstances does IRONMAN 4X4 Pty Ltd imply that the parts sold by IRONMAN 4X4 are those of the OE manufacturers. Although care has been taken to ensure accuracy of data contained in this publication, IRONMAN 4X4 Pty Ltd does not assume any liability for errors or omissions.

©Copyright 2024 IRONMAN 4X4 Pty Ltd. No part of this publication may be reproduced or replicated without the prior written consent of IRONMAN 4X4 Pty Ltd.

4WD AND TOURING GEAR PRODUCT	
ACCESSORIES AND SUSPENSION PRODUCT BY VEHICLE	
ACCESSORY AND SUSPENSION SPARE PARTS	
PRODUCT INSTALL TIMES GUIDE	
GVM UPGRADES	
SUSPENSION SELECTION INFORMATION	
SUSPENSION TECHNICAL SPECIFICATIONS	
ACCESSORY TECHNICAL SPECIFICATIONS	

Contents - Accessories to Suit

4WD AND TOURING GEAR

RECOVERY EQUIPMENT

Electric Winches and Accessories	10
Recovery Kits, Straps and Accessories	10-11
Compressors	12
Tyre Accessories and Lifting Jacks.....	12
Recovery Boards	13
Multi-Purpose Rear Wheel Bag.....	13
Sand Flags	13
Seat Covers	13
Floor Mats	13
Sun Screens	13
Anchor Track	13

CAMPING ACCESSORIES

Camp Chairs	14
Camp Tables	14
Swags	15
Sleeping Bags	15
Pet Comfort	15
Toilets and Showers.....	16
Camp Steps	14
Camp Kitchen	17
Cleaning	17
Torches and Fans	18
Camp Lighting	18
Camp Power	19
Solar	19
Batteries	20-21

FRIDGE / FREEZERS

Fridge / Freezers	22
Fridge Slides	23
Fridge Accessories	23

CAMPING

Rooftop Tents	24-25
Rooftop Tent Accessories	24-25
DeltaWing 270° Awnings.....	26
DeltaWing 270° Awning Accessories	27

ACCESSORIES TO SUIT (BY VEHICLE)

FIAT	
Fullback	2016+ 49
FORD	
Bronco	2020+ 52
Everest	Next-Gen 2022+ 78
	UAll 7/2018+ 80
	9/2015 to 6/2018..... 82
F150	Series 14 2021+ 53
	Series 13 2015 to 2020 56
Maverick	1988 to 1994 (See Nissan Patrol Page 225) 225
Ranger	Raptor Next-Gen 2022+ 58
	Raptor 9/2018 to 2022..... 59
	Next-Gen 2022+ 60
	PX Mk III 8/2018+ 64
	PX Mk II 2015 to 7/2018 68
	PX 7/2011 to 2015..... 72
	PJ / PK 2006 to 2011 76
GM / CHEVROLET / HOLDEN	
Colorado	RG 11/2016 to 2020 94
	RG 2012 to 10/2016 96
	RC 7/2008 to 12/2012 99
Colorado 7	RG 2012 to 2017..... 92
Rodeo	RA7 2007 to 7/2008..... 100
	RA 2002 to 2006..... 101
Silverado	1500 2019+ 84
	2500 2019+ 85
Trailblazer	LT / LTZ 2017 to 2020 90
GWM	
Cannon	9/2020+ 103
Tank 300	2023+ 105

Instant Awnings	28
Awning Xtra Weathershield	28
Room Enclosures	28
Instant Ensuite	28

DRIVING LIGHTS

LED Driving Lights	29
LED Lightbars	30-31
LED Cube Lights	32
Driving Light Accessories.....	33
Universal LED Work Lights.....	32
Light and Bull Bar Wiring Patch Looms.....	34-35

AUTO ELECTRICAL

Auto Electrical	35
Dual Battery Systems	35

STORAGE

Water Tanks	36
Maxi Cases	37
Steel Truck Box	37
Rooftop Tent Hanging Bag / General Camping Bag	16

ROOF RACKS

Atlas Roof Racks and Accessories.....	38-41
Alloy Roof Racks	42
Steel Roof Racks	42
Universal Roof Rail Extrusions.....	42
Mounting Kits	42

FLEET AND MINING

Fleet and Mining Accessories.....	43
-----------------------------------	----

APPAREL

T-Shirts	44
Baseball Caps	45

MERCHANDISE

IRONMAN 4X4 Merchandise.....	45
------------------------------	----

ISUZU

D-Max	2024+ (Facelift) 109
	2023 (Facelift)..... 110
	8/2019 to 2022..... 110
	2/2017 to 7/2019..... 114
	6/2012 to 1/2017..... 117
	2007 to 6/2012..... 121
MU-X	8/2021+ 122
	3/2017 to 7/2021 124
	2014 to 2/2017 124

JEEP

Gladiator	JT 4/2019+..... 131
Grand Cherokee	WK2 8/2013+ 132
Wrangler	JL 2018+ 134
	JK 2007+..... 137

LAND ROVER

Defender	2007 to 2016..... 141
----------	-----------------------

LDV

T60	2.8L Turbo Diesel 2017+..... 148
-----	----------------------------------

MAZDA

BT-50	6/2020+ 153
	2012 to 5/2020..... 156
	J97M 2006 to 2012 160

MITSUBISHI

Pajero	NW-NX 2011 169
	NM, NP, NS, NT 5/2000 to 2011..... 169
Pajero Sport	7/2019+ 167
	11/2016 to 6/2019..... 168
Triton	MV 2024+..... 180
	MR 11/2018 to 2023..... 182
	MQ 2015 to 10/2018..... 186
	MN 2009 to 2015..... 190
	ML 2006 to 2009 192

Contents - Accessories to Suit

ACCESSORIES TO SUIT (BY VEHICLE)

NISSAN			
Navara	NP300 Series 5 2021+	198	
	NP300 2015 to 2020	202	
	D40 2005+	205	
	D22 2002+	208	
Pathfinder	R51 2005 to 2013	211	
Patrol	Y62 2020+	214	
	Y62 2010 to 2019	214	
	Y61 GU Series 4 2005+	216	
	Y61 GU Series 1-3 1998 to 2004	217	
	Y60 GQ Station Wagon 1987 to 1997	225	
	Y60 GQ Coil Cab 1987 to 1997	225	
RAM			
1500	DT 6/2018+	235	
	DS 2014+	237	
RENAULT			
Alaskan	Thai-Built Only 2017+	240	
SSANGYONG			
Musso	Q200 10/2018+	243	
	Q201 10/2018+	243	
	Q205 10/2018+	243	
	Q215 10/2018+	243	
Rexton	Y400 10/2018+	247	
SUBARU			
Forester	2019+	248	
Outback	2015+	250	
XV Crosstrek	2018+	251	
SUZUKI			
Jimny	XL (5 Door) 2024+	252	
	GJ (3 Door) 2018+	252	
	2012 to 1/2019	254	
Grand Vitara	8/2005 to 2015	256	
TOYOTA			
4Runner	Gen 5, N280 2009+	260	
FJ Cruiser	2006+	266	
Fortuner	2015+	268	
Hilux	GR Sport 2023+	274	
	Rogue Wide Body 8/2022+	274	
	8/2020+	276	
	Revo 5/2018 to 7/2020	280	
	Revo 2015 to 4/2018	280	
TOYOTA - Continued			
	Vigo 2011 to 2015	284	
	Vigo 2005 to 2011	284	
	Tiger 1997 to 2004	288	
Landcruiser	300 Series 2022+	292	
	200 Series (Facelift) 11/2015+	294	
	200 Series 2/2012 to 10/2015	296	
	200 Series 11/2007 to 1/2012	296	
	105 Series HZJ105, FZJ105		
	Live Axle Front Suspension 3/1998 to 10/2007	198	
	100 Series HDJ100, UZJ100		
	Independent Front Suspension 3/1998 to 10/2007	300	
	80 Series HZJ80, FZJ80 1990 to 1998	302	
	79 Series (V8 TD) Single Cab 9/2016+	304	
	79 Series (V8 TD) Single Cab 2007 to 8/2016	304	
	79 Series Single Cab 1999 to 2007	304	
	79 Series Dual Cab 2024+	307	
	79 Series Dual Cab 11/2012 to 2023	308	
	78 Series Troop Carrier 2024+	311	
	78 Series Troop Carrier 2007 to 2023	311	
	78 Series 1999 to 2007	315	
	76 Series 2024+	319	
	76 Series 2007 to 2023	319	
	75 Series 1984 to 1999	322	
	60 Series 11/1980 to 11/1989	328	
Prado	250 Series 2024+	336	
	150 Series (Facelift) 11/2017+	338	
	150 Series 11/2013 to 10/2017	337	
	150 Series 11/2009 to 10/2013	341	
	120 Series 4/2003 to 10/2009	344	
	95 Series 1996 to 10/2002	346	
	90 Series 1996 to 10/2002	346	
Rav4	2019+	347	
Sequoia	2022+	349	
Tacoma	Sport 2024+	350	
	2005 to 2023	352	
Tundra	2022+	356	
	2013 to 2021	358	
VOLKSWAGEN			
Amarok	2023+	360	
	V6 11/2016 to 2022	362	
	2011 to 10/2016	364	

SPARE PARTS

Bull Bars	368	Side Steps and Rails	374
Canopies	369	Slide-Away Tonneau Covers	374
Canopy / Roof Racks	372	Snorkels	374
Driving Lights	372	Suspension	374
Fridges	372	Swags	375
Instant Awnings	373	Tow Bars	375
Miscellaneous	377	Underbody Protection	376
Roof Racks - Atlas	373	Winches	376
Rooftop Tents	373		

ACCESSORY INSTALLATION FITTING TIMES

Approximate Accessory Fitting Times	379
---	-----

ACCESSORIES TECHNICAL SPECIFICATIONS

Bull Bars	447	Roof Racks and Accessories	452
Canopies	453	Rooftop Tents	463
DeltaWing Awnings	462	Rooftop Tent and Awning Accessories	465
Fridge / Freezers	460	Solar Panels	467
Fridge / Freezer Troubleshooting	459	Swags	466
LED Driving Lights	455	Vehicle Quick Reference Guide	450
LED Lightbars	457	Water Tanks	468
LED Worklights	456	Winches	446
Locksafe Drawer Systems	461		

TERMS AND CONDITIONS

Terms and Conditions of Trade	470
-------------------------------------	-----

Contents - Suspension to Suit

SUSPENSION TO SUIT (BY VEHICLE)

DACIA			LADA		
Duster	2010+	48	Niva	1978+	140
FIAT			LAND ROVER		
Fullback	2016+	50	Defender	110 Series County / Dual Cab	142
FORD				130 Series County / Dual Cab	142
Courier	Ranger (not USA model) 1985 to 2006	77		110 Series Trayback	143
Everest	Next-Gen 2022+	79		90 Series	144
	UAll 7/2018+	81	Discovery	Series 3 LR3 (Coil Springs) 2004 to 2009	146
	3.2L 2015 TO 6/2018	83		Series 2 (Coil Springs) 1999 to 2005	146
F150	Series 14 2021+	54		Series 1 1989 to 2005	147
F250/F350	5th Gen 2023+	57	Range Rover	(Coil Springs) 1971 to 1995	145
	4th Gen 2017 to 2022	57	LDV		
Maverick	1988 to 1994 (See Nissan Patrol Page 227)	227	T60	2.8L Turbo Diesel 2017+	148
Ranger	Raptor Next-Gen 2022+	58	MAHINDRA		
	Raptor 9/2018 to 2022	59	Scorpio	Getaway Pik-Up 2002 to 2016	150
	Next-Gen 2022+	62		Wagon 2002 to 2014	151
	PX Mk III (not USA model) 7/2018+	66	MAZDA		
	PX Mk II (not USA model) 2015 to 6/2018	70	BT50	6/2020+	154
	T6 PX (not USA model) 2011 to 2015	74		2011 to 5/2020	158
	PJ / PK (not USA model) 3/2006 to 2011	76		2006 to 2011	161
GM / Holden			B Series Bravo	1987 to 2006	163
Colorado	RG 2016 to 2020	94	MERCEDES BENZ		
	RG 2012 to 2016	96	G-Wagen	W460, W461 W463 1979+	164
	RG Low Ride 2WD 2012+	98		G55 AMG	164
	RC 2003 to 2012	99	Unimog	UL1700, 2450, U5000, 1300, 1550, U4000	165
Colorado 7	Trailblazer 2012+	93	X-Class	4 Cyl Models 2017 to 5/2020	166
Frontera	1995 to 1/1999	89	MITSUBISHI		
Jackaroo	Bighorn / Monterey 1992+	86	Challenger Montero Sport		
	11/1986 to 1991	87		PA (Coil) 1998 to 2008	176
	Pre 1996	88		PA (Leaf) 1998 to 2006	177
Rodeo	RA 2003 to 2012	100	Delica	L400 1994+	178
	RA7 2003 to 2012	100	Pajero	Montero NM - NX 2000+	170
	KB - TFS 1988 to 3/2003	101		iO Pinin 1999+	170
	KB - TF 1983 to 1988	102		Montero NH - NL (Coil) 6/1991 to 2000	171
Silverado	1500 2019+	84		Montero NH - NL (Leaf) 1991 to 1999	172
Trailblazer	LT / LTZ 2017+	91		Montero NA - NG (Coil) 1988 to 1991	173
GWM				Montero NA - NG (Leaf) Pre 1991	174
Cannon	9/2020+	103	Pajero Sport	7/2019+	167
HAVAL				2.4L Mivec 2015 to 6/2019	168
H9	Wagon 2.0L Petrol 8/2017+	107	Pajero Sport / Montero Sport / Dakar		
HYUNDAI				PB 2009 to 2015	175
Terracan	2001+	108	Triton	MV 2024+	181
ISUZU				MR 11/2018 to 2023	184
D-Max	2023+ (Facelift)	112		MQ L200 2015 to 10/2018	188
	8/2019 to 2022	112		MN L200 2009 to 2015	190
	2016 to 7/2019	115		ML L200 2006 to 2009	192
	6/2012 to 1/2017	118		MK L200 1996 to 2006	194
	Low Ride 2WD 2012+	120		ME-MJ 1993 to 1996	195
	2003 to 2012	121		L200 Pre 1983	196
MU-X	8/2021+	123	NISSAN		
	2014 to 7/2021	125	Navara	NP300 (Coil Springs) 2021+ Series 5	200
Trooper	1992+	126		NP300 (Leaf Springs) 2021+ Series 5	201
	11/1986 to 1991	127		NP300 (Coil Springs) 2015 to 2020 Series 1 to 4	203
	Pre 1986	128		NP300 (Leaf Springs) 2014 to 2020 Series 1 to 4	204
JEEP				D40 (V6 Diesel) 2005+	206
Cherokee	Liberty KK 2007 to 2012	129		D40 (4cyl Diesel and V6 Petrol) 2005+	207
	Liberty KJ 2001 to 2006	129		D22 / NP300 (Torsion Bar) 1997+	208
	XJ 1984+	130		D21 1985 to 1996	209
Gladiator	JT 2019+	131	Paladin	Pre 2005	210
Grand Cherokee	WK2 (4x4) 2011+	132	Pathfinder	R51 (V6 Diesel) 7/2005+	211
	WJ / WG 1999 to 6/2005	133		R51 (4cyl Diesel and V6 Petrol) 7/2005+	212
	ZJ / ZG 1993 to 1998	133		R50 1995 to 7/2005	213
Wrangler	JL 2018+	135		R20 Pre 1995	213
	JK 2006+	137	Patrol	Y62 2010+	215
	TJ 1996 to 2/2007	138		Y61 GU LWB Wagon	218
JMC				Y60 GQ Cab Chassis (Coil / Coil)	221
Vigus	2014+	139		Y61 GU Cab Chassis (Coil / Coil)	221
KIA				Y60 GQ Cab Chassis (Coil / Leaf)	224
Sorento	BL 2003 to 2008	140		Y61 GU Cab Chassis (Coil / Leaf)	224
				Y60 GQ Cab Chassis (Leaf / Leaf) 1988+	226

Contents - Suspension to Suit

SUSPENSION TO SUIT (BY VEHICLE)

NISSAN - Continued

Patrol	Y60 GQ LWB Wagon 1988 to 1998	227
	Y60 GQ SWB Wagon 1988 to 1998	229
	MK G160 (Rectangle Headlights) 1984+	231
	MQ G160 (Round Headlights) Pre 1984	232
Terrano/II WD21	Pre 1995	213
Xterra	2005+	233
Xtrail	T30 2001 to 9/2007	234

RAM

1500	DT 6/2018+	236
	DS 2014+	238
2500 / 3500	HD 2019+	239

RENAULT

Alaskan	2017+	241
Duster	2010+	242

SSANGYONG

Korando	1996 to 2006	246
Musso	Q200 SWB 10/2018+	243
	Q201 LWB (Coil) 10/2018+	244
	Q215 LWB (Coil) 10/2018+	244
	Q201 LWB (Leaf) 10/2018+	245
	Q205 LWB (Leaf) 10/2018+	245
	Q215 LWB (Leaf) 10/2018+	245
	1996 to 2006	246
Rexton	Y400 2018+	247
	Y450 2018+	247

SUBARU

Forester	2019+	248
	SF5, GX, RX, GT 1997 to 2013	249
Outback	2015+	250
XV Crosstrek	2018+	251

SUZUKI

Grand Vitara	8/2005 to 2015	256
	1988 to 7/2005	257
Jimny	XL (5 Door) 2024+	253
	GJ (3 Door) 2018+	253
	SN413 1998 to 2018	254
Sierra	SJ80 (Coil) 1997+	255
	Samurai LJ, SJ (Leaf) 1981+	255
Vitara	1988+	258

TOYOTA

4Runner	Gen 4 and 5, N210 - N280 2003+	261
	Gen 3 N180 - N185 1996 to 2002	262
	Gen 2 Surf N130 V6 (Coil) 1990 to 1997	263
	Gen 1 N60 (Leaf) 1988 to 1997	265
Bundera	1984 to 1989	325
FJ Cruiser	2006+	267
Fortuner	2015+	269
	2004 to 2015	270
Hiace	Series 300 2019+	271
	Series 200 2005 to 2019	272
Highlander	2020+	291

TOYOTA - Continued

Hilux	GR Sport 1/2023+	275
	Rogue 8/2022+	275
	8/2020+	278
	Revo 2015 to 7/2020	282
	Vigo 3/2005 to 9/2015	285
	Low Ride 2WD 2005+	286
	Tiger 107, 108, 110, 111 167 1997 to 2005	288
	Solid Front Axle 11/1983 to 11/1997	289
	Solid Front Axle 1979 to 10/1983	290
2020+		291
Kluger		291
Landcruiser	300 Series 2020+	293
	200 Series (Facelift) 11/2015+	295
	200 Series 11/2007 to 10/2015	297
	105 Series 1998+	298
	100 Series, IFS 1998+	300
	80 Series 1990+	302
	79 Series Single Cab 1999+	305
	79 Series Dual Cab 2013+	309
	78 Series 2007+	313
	78 Series 1999 to 2007	316
	76 Series 2007+	320
	75 Series 1984 to 1999	323
	71 Series (Coil / Leaf) 1999+	326
	70, 73, 74 Series (Leaf / Leaf) 1984 to 1988	327
	60 Series 1986+	328
	60 Series Pre 1986	330
	45, 47 Series 8/1980 to 1985	332
	45 Series 1960 to 1980	333
	40, 42, 46 Series 1980 to 1984	334
	40 Series 1960 to 1980	335
Prado	250 Series 2024+	337
	150 Series (Coil) 12/2017+	339
	150 Series (Coil) 2009 to 11/2017	342
	120 Series 4/2003 to 10/2009	344
	90, 95 Series 1996 to 10/2002	346
	II Prado 70, 73, 78 Series 1990 to 1996	324
Rav4	2019+	347
Sequoia	2022+	349
Tacoma	4th Gen (Rear Coil) 2024+	351
	2005 to 2023	353
Tundra	2022+	355
	2006 to 2021	357

TROLLER

T4	7/2014+	358
	1997 to 6/2014	358

UAZ

Hunter	All Models	359
Patriot	1997+	359

VOLKSWAGEN

Amarok	2023+	361
	V6 / 4 Cyl 11/2016 to 2022	363
	1997 to 10/2016	365

SPARE PARTS

Suspension	374
------------	-----

ACCESSORY INSTALLATION FITTING TIMES

Approximate Accessory Fitting Times	379
-------------------------------------	-----

Contents - Suspension to Suit

GVM UPGRADES TO SUIT (BY VEHICLE)

Ranger	Next-Gen 2022+	382		Revo 2015 to 4/2018	391
	PX Mk III (not USA model) 7/2018 to 2022	383		Vigo 3/2005 to 2015	392
	PX Mk II (not USA model) 2015 to 6/2018	384	Landcruiser	300 Series 2022+	393
	T6 PX (not USA model) 2011 to 2015	384		200 Series MC / NA 2007+	394
Colorado	RG 2016 to 2020	385		79 Series Single Cab 2007+	395
	RG 2012 to 2016	385		79 Series Dual Cab 2024+ (Standard Tyres)	396
D-Max	MY20+	386		79 Series Dual Cab 2024+ (35" Tyres)	397
	6/2012 to 7/2019	387		79 Series Dual Cab 2012 to 11/2022	398
BT50	6/2020+	388		78 Series Troop Carrier 2007+	399
Navara	NP300 Series 5 2022+	389		76 Series 2024+	400
Jimny	GJ 2018+	390	Volkswagen	Amarok 2023+	401
Hilux	8/2020+	391			

SUSPENSION PART SELECTION

Understanding Load	404	Suspension Kit Selection	409
Determining Load	405	Shock Absorber Application Guide	410
Understanding Terrain	406	Features and Benefits	414
Understanding Valving	407	Load Plus Helper Springs Application Guide	418
Understanding GVM Upgrades	408		

SUSPENSION TECHNICAL SPECIFICATIONS

Installation Times	422	Steering Dampers Technical Specifications	436
Installation Form	423	Shock Absorber Mount Types Technical Specifications	437
Coil Springs Technical Specifications	424	Trim Packers Technical Specifications	438
Leaf Springs Technical Specifications	427	U-Bolts Technical Specifications	439
Torsion and Sway Bars Technical Specifications	429	Load Plus Helper Springs Technical Specifications	439
Shock Absorbers - Nitro Gas Technical Specifications	430	Suspension Rubber Arm Bush Kits Technical Specifications	440
Shock Absorbers - Foam Cell Technical Specifications	432	Strut Compressor	441
Shock Absorbers - Foam Cell Pro Technical Specifications	433	FAQ / Troubleshooting	442

TERMS AND CONDITIONS

Terms and Conditions of Trade	470
-------------------------------------	-----

4WD AND TOURING GEAR CATALOGUE

Effective 1 June 2024



{ IRONMAN }
4X4

Recovery

Product Description

Part No.

ELECTRIC WINCHES

A	M-Spec Winch 9500lb - 12V (With Synthetic Rope)	IMW9500MSR
B	M-Spec Winch 12000lb - 12V (With Synthetic Rope)	IMW12000MSR
C	M-Spec Winch 9500lb - 12V (With Steel Rope)	IMW9500MWR
D	M-Spec Winch 12000lb - 12V (With Steel Rope)	IMW12000MWR

WINCH ACCESSORIES

E	Winch Control Extension Plug - 500mm Length	WWB030
E	Winch Control Extension Plug - 1000mm Length	WWB031
E	Winch Control Extension Plug - 1500mm Length	WWB032
	Winch Control Box Mount - Universal Fit	WWBCP001
F	Synthetic Winch Rope - 9.5mm x 27m (8100kg)	WWWROPE001
G	Winch Damper Blanket	WINCH BLANKET
H	Alloy Hawse Fairlead	WWWHAWSE
H	Steel Hawse Fairlead	WWBHAWSEST

RECOVERY KITS

I	Recovery Kit - Starter Kit	IRECKIT0012
J	Recovery Kit - Pro Kit	IRECKIT0023
K	Recovery Kit - Mud and Sand Kit	IRECKIT0034

TECHNICAL DIMENSIONS AND SPECIFICATIONS SEE PAGE 446



HANDY TIP

Make your own Recovery Kits



I Starter Kit Basic Essentials	J Pro Kit Recovery	K Mud and Sand Kit Recovery
1 x 8,000kg Snatch Strap	1 x 9,500kg Kinetic Snatch Rope	1 x 9,500kg Kinetic Snatch Rope
1 x 12,000kg Tree Saver	1 x 13,000kg Bridle Rope	2 x 14,000kg Soft Shackles
2 x 4,750k Bow Shackles	1 x 12,000kg Tree Saver	1 x 14,000kg Steel Recovery Hitch
1 x 4,500kg Winch Extension Rope	1 x 9,500kg Winch Extension Rope	1 x Winch Damper
1 x Recovery Gloves	2 x 18,000kg Soft Shackles	1 x Large Recovery Bag
1 x Winch Damper	1 x Alloy Recovery Ring	
1 x Small Recovery Bag	1 x Recovery Gloves	
	1 x Winch Damper	
	1 x Large Recovery Bag	

Recovery

Product Description

Part No.

RECOVERY STRAPS AND ACCESSORIES

L Aluminium Recovery Hitch - 12,500Kg Rating	IRECHITCH
M Steel Recovery Hitch - 14,000Kg Rating	IRECHITCH012
N Bow Shackle with Protector - 4,750Kg Rating	IBOW4.7K
O Recovery Block - 11,000kg Rating	IBLOCK11K
P Heavy Duty Drag Chain (5m x 8mm)	IDRAG
Q Aluminium Alloy Recovery Ring - 12,500Kg Rating	IRECRING
R Recovery Gloves - Kevlar and Polyester	IRECGLVES
S Soft Shackle with Anti-Abrasion Coating - 14,000kg Rating	ISOFTSHA14K
T Soft Shackle with Anti-Abrasion Coating - 18,000kg Rating	ISOFTSHA18K
U Snatch Strap - 8,000kg Rating (9m x 75mm)	ISNATCH8K
V Kinetic Snatch Rope - 9,500kg Rating (9m)	ISNATCHROPE9.5K
W Kinetic Snatch Rope - 12,500kg Rating (9m)	ISNATCHROPE12.5K
X Winch Extension Rope - 4,500kg Rating (20m)	IWINCHEXT4.5K
Y Winch Extension Rope - 9,500kg Rating (20m)	IWINCHEXT9.5K
Z Bridle Rope with Protection Sleeve - 13,000kg Rating (3m)	IBRIDLE13K
AA Tree Saver - 12,000kg Rating (3m x 75mm)	ITREE12K
BB Small Recovery Bag	IRECKIT012BAG
CC Large Recovery Bag	IRECKIT023BAG



Recovery

Product Description

Part No.

COMPRESSORS

A Air Champ Compressor - 12V (90L/min)	ICOMPRESSOR003
B Air Champ Pro Compressor - 12V (160L/min)	ICOMPRESSOR004

TYRE ACCESSORIES

Air Champ Extension Hose to suit Dual Inflator	ITYRE008
C Air Champ Compact Deflator - <i>While Stocks Last</i>	ITYRE004
D Speedy Deflator	ISPEEDYA
E Speedy Deflator	ISPEEDYD
F AirPlugger Tyre Repair Kit (Single)	ITYRE009
AirPlugger Tyre Repair Kit (12 Pack)	ITYRE009PROMO
G Tyre Repair Kit	ITYRE001
H Tyre Repair Cord (Refill 25pc)	ITYRE002

LIFTING JACKS

I 4WD Lift Jack - 48" (Includes cover)	IHIGHLIFT001
---	--------------

DIFF BREATHER KIT

J Diff Breather Kit	IDIFFBRE
----------------------------	----------



Recovery

Product Description

Part No.

RECOVERY BOARDS

O	Reco-Traks - Sand (Pair)	IRECBRDSAND
P	Reco-Traks - Grey (Pair)	IRECBRDGREY
Q	Reco-Traks - Green (Pair)	IRECBRDGREEN
R	Recovery Board Mounting Base	IRECBRDBASE
S	Recovery Board Mount Pins 110mm (Pair)	IRECBRDPINS115
T	Recovery Board Leash (Pair)	IRECBRDLEASH

ANCHOR TRACKS

U	610mm Anchor Track	ITRACK610
V	305mm Anchor Track	ITRACK305
W	Additional Rings - Twin Pack (2Rings)	ITRACKRING

MULTI-PURPOSE REAR WHEEL BAG

X	Rear Wheel Bag	IRWB001
----------	----------------	---------

SEAT COVERS

Y	Universal Seat Cover (Slip-On) - Front Only	ISEAT COVER
Z	Airbag Compatible Fabric Seat Cover (Vehicle Specific) - Front	See Vehicle Listing
	Airbag Compatible Fabric Seat Cover (Vehicle Specific) - Rear	See Vehicle Listing

FLOOR MATS

AA	Moulded Fit TPO Floor Mats (Vehicle Specific) - Front and Rear Set	See Vehicle Listing
-----------	--	---------------------

SUN SHADES

	Sun Screen Shade (Vehicle Specific) - Front	See Vehicle Listing
--	---	---------------------

HI VIS SAND FLAG

BB	1m, 2m or 3m Length	IHVFLAG
-----------	---------------------	---------



Camping Accessories

Product Description

Part No.

CAMP CHAIRS

A Quick Fold Event Chair	ICHAIR0012
B Low Back Quad Fold Camp Chair	ICHAIR0034
C Club Lounge Quad Fold Camp Chair	ICHAIR0045
D King Hard Arm Camp Chair - With Lumbar Support	ICHAIR0067
E King Quad Camp Chair - With Lumbar Support	ICHAIR0056

CAMP TABLES / STEPS

F Multi-Use Side Camp Table	ITABLE0012
G Aluminium Camp Table - Adjustable Height	ITABLE0023
Quick-Fold Camping Steps (180kg rated)	IQFSTEP



Camping Accessories

Product Description

Part No.

CAMP SWAGS

I King Single - Ridge Pole Style	ISWAG0023
J Double - Ridge Pole Style	ISWAG0034

CAMP SLEEPING

K -5° Swag Bag Sleeping Bag	ISWAGBAG
------------------------------------	----------

PET COMFORT

L Large Quick Fold Dog Bed with Padded Mat (133x 68x 30cm)	IPET0034
M Small Quick Fold Dog Bed with Padded Mat (80x 80x 25cm)	IPET0023
N Pet Tethering System	IPET0045
O In-Car Pet Restraint - Buckle and Leash	IPET0067
P A-Frame Pet Swag	IPET0056
Q Quick Fold Comfort Pet Sofa Bed	IPET0078
R Compact Dual Bowl Pet Feeder	IPET0089

SWAGS TECHNICAL DIMENSIONS SEE PAGE 466



Camping Accessories

Product Description

Part No.

CAMP GEAR

A Foldable Bush Toilet (200kg rated)	IBUSHTOILET
B Bush Toilet Replacement Biodegradable Bags (10 per pack)	IBTBAGS
C 65L Explorer Duffle Bag	IDUFBAG001
D Rooftop Tent Hanging Bag	ITENTBAG001
E 12L Pressure Shower	ISHOWER004
F 15L Gravity Solar Shower	ISHOWER003
G Rechargeable Portable Shower - Lithium	ISHOWER001

CAMP STORAGE

H Storage Bag Canvas and PVC Lined - 15L	ISTOREBAG0012
I Storage Bag Canvas and PVC Lined - 26L	ISTOREBAG0023



Camping Accessories

Product Description

Part No.

CAMP KITCHEN

J 26 Piece Camp Kitchen Set	IKITCHEN0012
K 12V Portable Oven with Racks and Tray	IOVEN0012
L Portable Fire Pit System	IFIREPIT0012
M Rotisserie Kit to Suit Fire Pit System	IFIREPIT0023
N Collapsible Washing Tub - 8.5L	ITUB0012
O Collapsible Dish Rack with Tray - 8.5L	IDISH0012
P Collapsible Bin with Lid - 8L	IBIN0012
Q Collapsible Storage Tub with Lid - 45L	ISTORE0023
R Collapsible Storage Tub with Lid - 30L	ISTORE0012
S Collapsible Bucket with Handle - 10L	IBUCKET0012

CLEANING

T 500ml Gritty Hand Wash (RRP only)	IHCLEAN
500ml Gritty Hand Wash (Box of 6 only)	IHCLEAN BOX



Camp Lighting

Product Description

Part No.

LIGHTING

A Rechargeable LED Dual Spot and Area Light - <i>While Stocks Last</i>	ILIGHTING0045
B LED Area Light Kit	IAREALED0034
C LED Area Light Tripod Stand	IAREATRIPOD
D Rechargeable LED Utility Light (RRP)	ILIGHTING0078
Rechargeable LED Utility Light - With Countertop Display (9 Units)	ILIGHTING0078CD
E Rechargeable LED Worklight Combo	ILIGHTING0023
F Rechargeable LED Worklight 500 Lumen	ILIGHTING0056
G Rechargeable LED lantern 1000 Lumen	ILIGHTING0012
H Rechargeable LED Lantern and Bug Zapper	ILANTERN004
I Rechargeable Hi-Flow Tent Fan and LED Light	ITENTFAN003
J Rechargeable LED Headlamp	ILIGHTING0067
K Rechargeable Bluetooth Speaker with LED Light	ILIGHTING0034
L Awning 12V LED Sail Track Light Strip and Dimmer Set	IAWNINGPART006



Camp Solar / Power

Product Description

Part No.

CAMPING SOLAR PANEL KITS

M	160W Solar Panel Kit - Aluminium Framed Ridged with Junction Box	ISOLAR160WR
N	210W Solar Panel Kit - Aluminium Framed Ridged with Junction Box	ISOLAR210WR
O	110W Solar Panel Kit - Semi Flexible Ridged with Wired Connectors	ISOLAR110WF
P	150W Solar Panel Kit - Semi Flexible Ridged with Wired Connectors	ISOLAR150WF
Q	120W Solar Panel Kit - Folding	ISOLAR120
R	200W Solar Panel Kit - Folding	ISOLAR200

CAMPING SOLAR PANEL ACCESSORIES

S	Wiring Kit for all Solar Panels - 7m with MC4 Connectors / Red and Black	ISOLAR0012
T	Connector Kit - 30cm MC4 Twin Pack with Male and Female MC4 Plugs	ISOLAR0023
U	Connector Kit - 30cm 50A Anderson to MC4 with Male and Female MC4 Plugs	ISOLAR0034
	Mounting Brackets - Suits Rigid Solar Panels (4 piece)	ISOLAR0045
V	MPPT Regulator - 20A Suits Lithium / AGM / Wet and Dry Cell	ISOLAR20AMPPT

CAMPING POWER ACCESSORIES

W	Portable Battery Box with DC Outlets	IBATTBOX0012
----------	--------------------------------------	--------------

SOLAR TECHNICAL SPECIFICATIONS SEE PAGE 467



Batteries

Product Description

Part No.

LITHIUM (L X W X H X NOMINAL WEIGHT)	WARRANTY	
40Ah Battery (194 x 132 x 170mm x 6kg) - M6 Post	7 Year	IBATT7731LI
50Ah / 24v Battery (318 x 165 x 215mm x 13kg) - M8 Post	7 Year	IBATT7741LI
50Ah / 36v Battery (485 x 170 x 245mm x 17kg) - M8 Post	7 Year	IBATT7751LI
75Ah Battery (260 x 169 x 215mm x 10kg) - M8 Post	7 Year	IBATT7732LI
100Ah Battery (306 x 168 x 220mm x 11kg) - M8 Post	5 Year	IBATT7352LI
100Ah Bluetooth Battery (306 x 168 x 220mm x 11kg) - M8 Post	5 Year	IBATT7353LIBT
100Ah Bluetooth Slim Battery (508 x 110 x 236mm x 14kg) - M8 Post	5 Year	IBATT7355LIBT
135Ah Bluetooth Battery (330 x 172 x 214mm x 15kg) - M8 Post	5 Year	IBATT7364LIBT
200Ah Bluetooth Battery (522 x 240 x 218mm x 22kg) - M8 Post	5 Year	IBATT7386LIBT
200Ah Bluetooth Battery (483 x 170 x 241mm x 26kg) - M8 Post	3 Year	IBATT7737LIBT
300Ah Bluetooth Battery (518 x 271 x 222mm x 35kg) - M8 Post	7 Year	IBATT7739LIBT
AGM (L X W X H X NOMINAL WEIGHT)	WARRANTY	
5Ah Battery (90 x 70 x 107mm x 2kg) - F1 Post	1 Year	IBATT9505AGM
6Ah / 100CCA Battery (114 x 70 x 107mm x 2kg) - M5 Thread Post	1 Year	IBATT9486AGM
9Ah Battery (151 x 65 x 100mm x 3kg) - F2 Post	1 Year	IBATT9509AGM
32Ah / 385CCA Battery (166 x 126 x 175mm x 10kg) - M6 Thread Post	1 Year	IBATT9500AGM
58Ah Battery (230 x 137 x 215mm x 18kg) - M6 Post	2 Year	IBATT7711AGM
70Ah / 760CCA Battery (278 x 175 x 190mm x 21kg) - Standard Post	2 Year	IBATT5536AGM
72Ah / 730CCA Battery (257 x 172 x 225mm x 21kg) - MT Post	2 Year starting 1 Year cycling	IBATT7801AGM
72Ah / 730CCA Battery (257 x 172 x 225mm x 21kg) - MT Post	2 Year starting 1 Year cycling	IBATT7802AGM
80Ah / 800CCA Battery (314 x 175 x 190mm x 23kg) - Standard Post	2 Year	IBATT5556AGM
87Ah Battery (259 x 168 x 214mm x 25kg) - M6 Post	2 Year	IBATT7712AGM
90Ah / 750CCA Battery (308 x 174 x 222mm x 24kg) - Standard Post	2 Year starting 1 Year cycling	IBATT5593AGM
90Ah / 750CCA Battery (308 x 174 x 222mm x 24kg) - Standard Post	2 Year starting 1 Year cycling	IBATT5594AGM
90Ah / 750CCA Battery (302 x 172 x 225mm x 24kg) - MT Post	2 Year starting 1 Year cycling	IBATT7811AGM
90Ah / 750CCA Battery (302 x 172 x 225mm x 24kg) - MT Post	2 Year starting 1 Year cycling	IBATT7812AGM
100Ah / 925CCA Battery (330 x 171 x 232mm x 27kg) - MT Post	2 Year starting 1 Year cycling	IBATT7821AGM
100Ah / 925CCA Battery (332 x 172 x 232mm x 27kg) - Stud Post	2 Year starting 1 Year cycling	IBATT5561AGM
105Ah Battery (302 x 172 x 225mm x 28kg) - M6 Post	2 Year	IBATT7713AGM
125Ah Battery (330 x 171 x 230mm x 32kg) - M8 Post	2 Year	IBATT7714AGM
268Ah Battery (522 x 268 x 220mm x 75kg) - M8 Post	2 Year	IBATT7798AGM
FLOODED (L X W X H X NOMINAL WEIGHT)	WARRANTY	
68Ah / 670CCA Battery (230 x 175 x 225mm x 17kg) - Standard Post	2 Year	IBATT4032EFL
70Ah / 700CCA Battery (279 x 175 x 190mm x 20kg) - Standard Post	2 Year	IBATT4036FL
80Ah Battery (257 x 171 x 220mm x 19kg) - MT Post	1 Year	IBATT7706FL
100Ah Battery (302 x 172 x 220mm x 22kg) - MT Post	1 Year	IBATT7708FL
100Ah Battery (330 x 171 x 232mm x 26kg) - MT Post	1 Year	IBATT7709FL

Batteries

Product Description

Part No.

CALCIUM (L X W X H X NOMINAL WEIGHT)**WARRANTY**

38Ah / 370CCA Battery (187 x 127 x 220mm x 9kg) - Standard Post	2 Year	IBATT2382CAL
38Ah / 370CCA Battery (187 x 127 x 220mm x 9kg) - Small Post	2 Year	IBATT2384CAL
45Ah / 430CCA Battery (234 x 127 x 220mm x 12kg) - Standard Post	2 Year	IBATT2136CAL
45Ah / 430CCA Battery (234 x 127 x 220mm x 12kg) - Small Post	2 Year	IBATT2138CAL
50Ah / 500CCA Battery (230 x 172 x 205mm x 13kg) - Standard Post	2 Year	IBATT7401CAL
55Ah / 550CCA Battery (240 x 172 x 205mm x 14kg) - Standard Post	2 Year	IBATT2542CAL
55Ah / 550CCA Battery (230 x 172 x 205mm x 14kg) - Standard Post	2 Year	IBATT5375CAL
60Ah / 600CCA Battery (230 x 175 x 225mm x 16kg) - Standard Post	2 Year	IBATT2544CAL
60Ah / 600CCA Battery (242 x 175 x 190mm x 14kg) - Standard Post	2 Year	IBATT3554CAL
68Ah / 600CCA Battery (277 x 175 x 175mm x 17kg) - Standard Post	2 Year	IBATT3662CAL
73Ah / 600CCA Battery (257 x 172 x 225mm x 17kg) - MT Post	2 Year	IBATT7501CAL
75Ah / 720CCA Battery (279 x 175 x 190mm x 18kg) - Standard Post	2 Year	IBATT3664CAL
76Ah / 720CCA Battery (257 x 172 x 220mm x 19kg) - Standard Post	2 Year	IBATT4503CAL
76Ah / 720CCA Battery (257 x 172 x 220mm x 19kg) - Standard Post	2 Year	IBATT4504CAL
80Ah / 680CCA Battery (257 x 172 x 225mm x 18kg) - MT Post	2 Year	IBATT7511CAL
80Ah / 830CCA Battery (315 x 175 x 175mm x 19kg) - Standard Post	2 Year	IBATT5372CAL
85Ah / 720CCA Battery (302 x 172 x 225mm x 21kg) - MT Post	2 Year	IBATT7601CAL
95Ah / 850CCA Battery (300 x 173 x 223mm x 21kg) - Standard Post	2 Year	IBATT4703CAL
95Ah / 850CCA Battery (300 x 173 x 223mm x 21kg) - Standard Post	2 Year	IBATT4704CAL
100Ah / 850CCA Battery (354 x 175 x 190mm x 23kg) - Standard Post	2 Year	IBATT3884CAL
105Ah / 760CCA Battery (302 x 172 x 225mm x 26kg) - MT Post	2 Year	IBATT7611CAL
105Ah / 1000CCA Battery (330 x 172 x 242mm x 25kg) - Standard Post	2 Year	IBATT4862CAL
150Ah / 1000CCA Battery (506 x 212 x 230mm x 40kg) - Standard Post	2 Year	IBATT4952CAL
200Ah / 1200CCA Battery (509 x 274 x 238mm x 52kg) - Standard Post	2 Year	IBATT4998CAL

GEL (L X W X H X NOMINAL WEIGHT)**WARRANTY**

100Ah Slim Battery (395 x 110 x 286mm x 33kg) - M8 Post	2 Year	IBATT7715GEL
100Ah Slim Battery (330 x 173 x 220mm x 31kg) - M8 Post	2 Year	IBATT7721GEL



POWERED BY
CLUBASSIST

Fridge / Freezers

Product Description

Part No.

FRIDGE / FREEZERS

A 50L Fridge / Freezer - <i>While Stocks Last</i>	IFRIDGE50
B 43L M-Series Metal Fridge / Freezer - Single Zone	IFRIDGE43LM
C 65L M-Series Metal Fridge / Freezer - Dual Zone	IFRIDGE65LDZM
D 70L M-Series Metal Fridge / Freezer - Single Zone	IFRIDGE70LM
E 40L Drawer Fridge	IFRIDGE40LMDR

TECHNICAL DIMENSIONS, SPECIFICATIONS AND FRIDGE TROUBLESHOOTING - SEE PAGE 459



B



C



D



A

LIMITED Stock

Features Include

- Smart phone app
- SECOP compressor
- In-built AC/DC power
- Digital display
- Protective cover



NEW

E

Fridge / Freezer Accessories

Product Description

Part No.

FRIDGE / FREEZER SLIDES

F Fridge Slide - 30L, 40L, 50L (Inc. 4 x straps)	IFRIDGESLIDE012
G Fridge Slide - 65L, 70L (Inc. 4 x straps)	IFRIDGESLIDE023
H Fridge Slide - 30 to 50L - Tilt (Inc. 4 x straps)	IFRIDGESLIDE034
I Fridge Slide - 65 to 70L - Tilt (Inc. 4 x straps)	IFRIDGESLIDE045

FRIDGE / FREEZER ACCESSORIES (BAGS SOLD SEPARATELY)

J 40L Fridge Bag - <i>While Stocks Last</i>	IFRIDGE40 BAG
K 50L Fridge Bag - <i>While Stocks Last</i>	IFRIDGE50 BAG
L Fridge Straps	IFRIDGE STRAPS
M Wireless LCD Fridge Thermometer	IWFT001

**FRIDGE SLIDE TECHNICAL DIMENSIONS
SEE PAGE 460**



F



G



H

I



J

K



L



M



Camping

Product Description

Part No.

ROOFTOP TENTS

A Orion 1400 Aluminium Hard Rooftop Tent	IRTT0056
B Ursa 1300 ABS Hard Shell Rooftop Tent	IRTT0078
C Cross 1200 Soft Shell Rooftop Tent	IRTT0067

ROOFTOP TENT AWNINGS AND ANNEX

Annex Room to suit Ursa 1300 - IRTT0078	IRTTANNEX023
Annex Room to suit Cross 1200 - IRTT0067	IRTTANNEX012
Annex to suit Soft Rooftop Tent - IROOFTENT TENT	IROOFTENT ANNEX
Front Extension Awning Kit to suit Nomad 1300 - IRTT0023	IRTTAWN0023

ACCESSORIES

Thermal Liner to suit Orion 1400 - IRTT0056	IRTTTHERMAL023
Awning Mount Kit to suit Orion 1400 - IRTT0056	IRTT0056AWN MOUNT
Solar Panel Mount Kit to suit Orion 1400 - IRTT0056	IRTT0056SOLAR MOUNT
Awning Stay Release Kit to suit Orion 1400 - IRTT0056	IRTT0056SPRING MOUNT
Thermal Liner to suit Ursa 1300 - IRTT0078	IRTTTHERMAL034
Annex Extension Kit (Room 200mm)* to suit Soft Rooftop Tent - IROOFTENT TENT	IROOFTENT003
Rooftop Tent Ladder Extension Kit (500mm)* (Not Shown)	IROOFTENT002
Rooftop Tent - Sail Track Hanging Bag (Not Shown, See Page 16)	ITENTBAG001

* Required for tent bases sitting above 1.8m from ground.

ROOFTOP TENTS DIMENSIONS - SEE PAGE 463



Camping

Product Description

Part No.



Camping

Product Description

Part No.

DELTAWING AWNINGS

A	DeltaWing 270° Awning (LHS) Unsupported - 2.0m (L)	IAWN270L045
B	DeltaWing 270° Awning (RHS) Unsupported - 2.0m (L)	IAWN270R045
C	DeltaWing 180° Awning Unsupported - 1.75m	IAWN180012
D	DeltaWing 180° Awning Unsupported - 2.0m	IAWN180023
E	DeltaWing XT-71 Awning (LHS) Supported - 2.0m (L) - <i>While Stocks Last</i>	IAWN270L034

• All include inclement weather stabilisation poles and guy ropes

DELTAWING 270° AND 180° AWNING DIMENSIONS - SEE PAGE 462

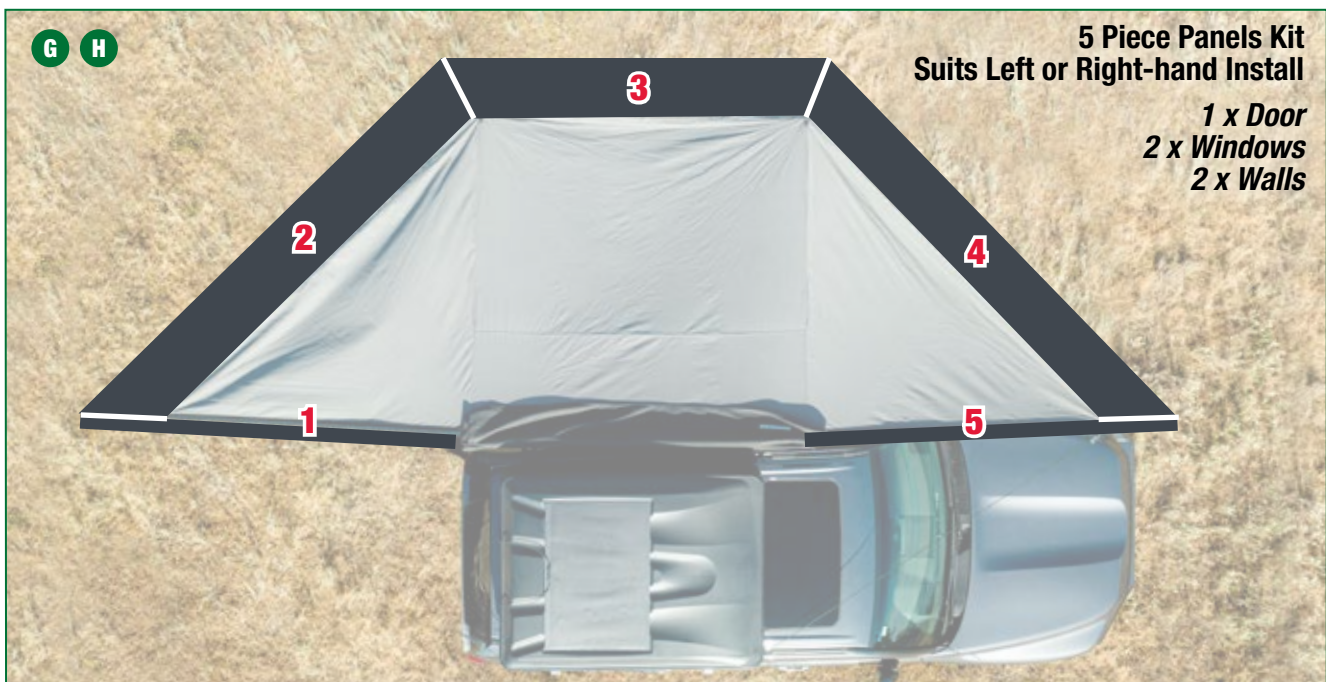
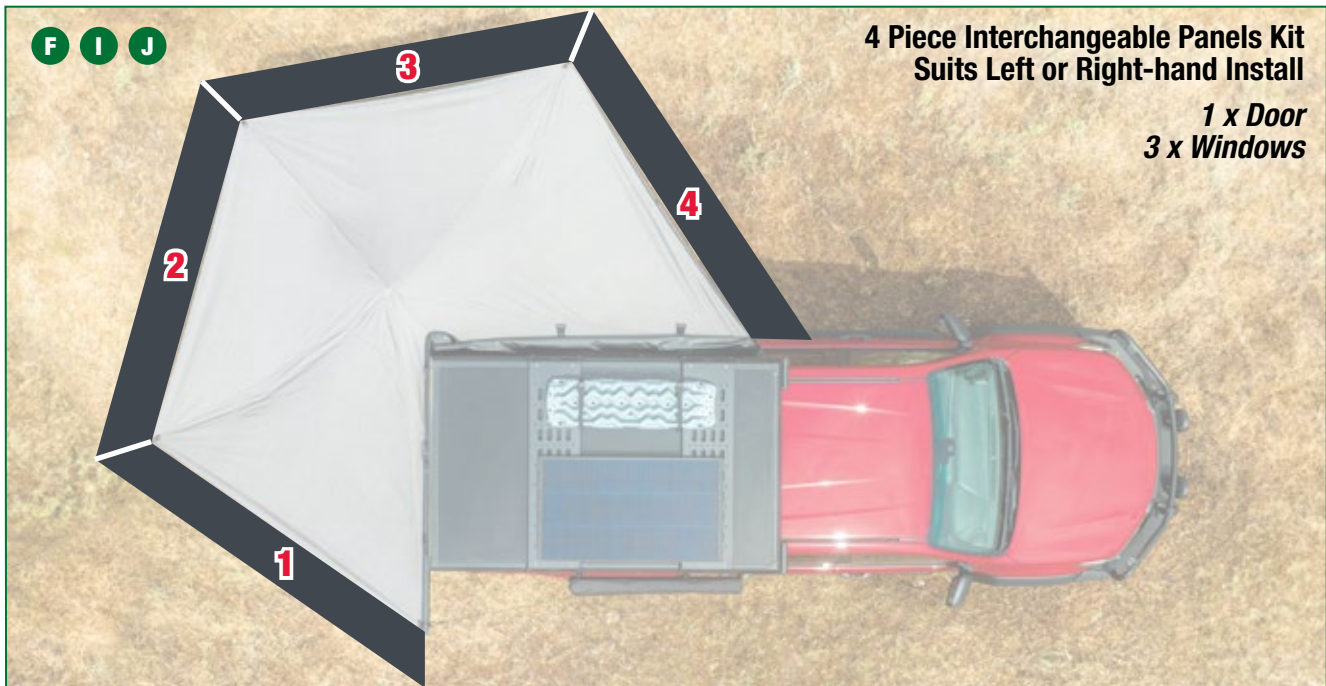


Product Description

Part No.

DELTA WING AWNING ACCESSORIES

F	270° Awning Wall Kit 2.0m - 4 Piece to suit IAWN270L045 or IAWN270R045 only	IAWNWALL270045
G	180° Awning Wall Kit 1.75m - 5 Piece to suit IAWN180012 only	IAWNWALL180012
H	180° Awning Wall Kit 2.0m - 5 Piece to suit IAWN180023 only	IAWNWALL180023
	180° Awning Room Kit - to suit IAWN180012 or IAWN180023 only (Not Shown)	IAWNROOM180034
	XTR-143 Awning Wall Kit (LHS) - 3 Piece to suit IAWN270L012 only (Not Shown)	IAWNWALL27012
	XTR-143 Awning Wall Kit (RHS) - 3 Piece to suit IAWN270R012 only (Not Shown)	IAWNWALL27045
I	XT-71 and XTR-71 Awning Door and Wall Kit - 2 Piece	IAWNWALL27023
J	XT-71 and XTR-71 Awning Wall Kit - 2 Piece	IAWNWALL27034
	Awning LED Light Kit to suit XTR-143 and XTR-71 Awnings (shown over the page)	IAWNLED270012



Camping

Product Description

Part No.

DELTAWING AWNINGS AND ACCESSORIES

A DeltaWing 90° Awning 1.4m (W) x 2.0m (Out)	IAWNINGXT1.4M
DeltaWing 90° Awning 2.0m (W) x 2.5m (Out)	IAWNINGXT2.0M
DeltaWing 90° Awning 2.5m (W) x 2.5m (Out)	IAWNINGXT2.5M
B Awning Xtra Weathershield (Suits 2m Wide Awning) - 2m A x 2.4m B x 1.4m C	IAWNING2MWALL
Awning Xtra Weathershield (Suits 2.5m Wide Awning) - 2m A x 2.4m B x 1.4m C	IAWNING2.5MWALL
AWNING ROOMS, ENCLOSURES AND ACCESSORIES	
C DeltaWing 2.0m Awning Room - To suit IAWNINGXT2.0M	IAWNROOM2.0012
DeltaWing 2.5m Awning Room - To suit IAWNINGXT2.5M	IAWNROOM2.5023
D Awning Room with Fly Screen Netting - To suit IAWNING2M	IAWNING2MROOM
Awning Room with Fly Screen Netting - To suit IAWNING2.5M	IAWNING2.5MROOM
E DeltaWing Ensuite XT 1.1 x 1.1m	IENSUITEXT
F Instant Ensuite 1.0m x 1.0m	IENSUITE
DeltaWing Ensuite Folding Tub Base - To suit IENSUITEXT only (not shown)	IENSUITEXTBASE
Awning Pole Kit (2 x Poles, Ropes and Pegs to suit Awning Rooms)	IAWNINGPART009
G Awning Camp Organiser	IAWNORG012
H DeltaWing XTR-143 and XTR-71 Awning LED Light Kit	IAWNLED270012

**AWNINGS AND ACCESSORIES DIMENSIONS
SEE PAGE 465**



LED Driving Lights

Product Description

Part No.

LED DRIVING LIGHTS

J	150W Scope 9" Combo LED - Driving Light (Each)	IDL0901C
K	150W Scope 9" Spot LED - Driving Light (Each)	IDL0901S
L	100W Scope 7" Combo LED - Driving Light (Each)	IDL0701C
M	100W Scope 7" Spot LED - Driving Light (Each)	IDL0701S
N	102W Meteor 9" LED with Daytime Running Light - Driving Light (Each)	ILED9M
O	48W Meteor 7" LED with Daytime Running Light - Driving Light (Each)	ILED7M
P	48W Blast Phase II 7" Combo LED - Driving Light (Each)	ILEDBLAST2C
Q	48W Blast Phase II 7" Spot LED - Driving Light (Each)	ILEDBLAST2S
R	99W 5x7 Eclipse LED with Side Shooters - Driving Light (Each)	ILED5X7
S	42W Scope 5" Combo LED - Driving Light (Each)	IDL0501C
T	42W Scope 5" Spot LED - Driving Light (Each)	IDL0501S

**TECHNICAL DIMENSIONS AND SPECIFICATIONS
SEE PAGE 455**

DRIVING LIGHTS



LED Lightbars

Product Description

Part No.

LED LIGHTBARS

A	30W Bright Sabre-X Single Row Slim Lightbar 177mm (7") Straight	ILBSR005B
B	105W Bright Sabre-X Single Row Slim Lightbar 522mm (20") Straight	ILBSR003B
C	120W Bright Sabre-X Single Row Slim Lightbar 591mm (23") Straight	ILBSR2340
D	165W Bright Sabre-X Single Row Slim Lightbar 798mm (32") Straight	ILBSR002B
E	210W Bright Sabre-X Single Row Slim Lightbar 1005mm (40") Straight	ILBSR001B
F	270W Bright Sabre-X Single Row Slim Lightbar 1281mm (50") Straight	ILBSR000B
G	75W Bright Sabre Single Row Lightbar 524mm (20") Straight	ILBSR003BW
H	120W Bright Sabre Single Row Lightbar 812mm (32") Straight	ILBSR002BW
I	150W Bright Sabre Single Row Lightbar 1004mm (40") Straight	ILBSR001BW
J	200W Bright Sabre Dual Row Lightbar 561mm (21.5") Straight	ILBDR003B
K	300W Bright Sabre Dual Row Lightbar 815mm (32") Straight	ILBDR002B
L	400W Bright Sabre Dual Row Lightbar 1076mm (42.5") Straight	ILBDR001B
M	300W Bright Sabre Multi-Function Dual Row Lightbar 815mm (32") Straight	ILBDR002BM
N	400W Bright Sabre Multi-Function Dual Row Lightbar 1076mm (42.5") Straight	ILBDR001BM
O	180W Night Sabre Lightbar 942mm (37") Curved - <i>While Stocks Last</i>	ILBSR001C
P	135W Night Sabre Lightbar 722mm (28.5") Curved - <i>While Stocks Last</i>	ILBSR002C
Q	90W Night Sabre Lightbar 500mm (19.5") Curved - <i>While Stocks Last</i>	ILBSR003C

BRIGHT SABRE-X SINGLE ROW LED SLIM LIGHTBARS



CODE	Beam	LEDs	Watts	A	B	C
ILBSR005B	Combo	6	30W	177mm	54mm	40mm
ILBSR003B	Combo	21	105W	522mm	54mm	40mm
ILBSR2340	Combo	24	120W	591mm	54mm	40mm
ILBSR002B	Combo	33	165W	798mm	54mm	40mm
ILBSR001B	Combo	42	210W	1005mm	54mm	40mm
ILBSR000B	Combo	54	270W	1281mm	54mm	40mm

BRIGHT SABRE SINGLE ROW LED LIGHTBARS



CODE	Beam	LEDs	Watts	A	B	C
ILBSR003BW	Combo	15	75W	524mm	66.5mm	52mm
ILBSR002BW	Combo	24	120W	812mm	66.5mm	52mm
ILBSR001BW	Combo	30	150W	1004mm	66.5mm	52mm

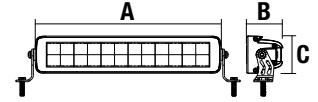
TECHNICAL DIMENSIONS AND SPECIFICATIONS SEE PAGE 457

LED Lightbars

Product Description

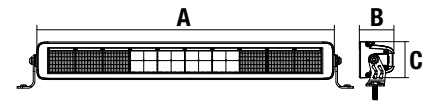
Part No.

BRIGHT SABRE DUAL ROW LED LIGHTBARS



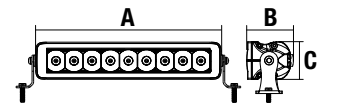
CODE	Beam	LEDs	Watts	A	B	C
ILBDR003B	Combo	40	200W	561mm	67mm	70mm
ILBDR002B	Combo	60	300W	815mm	67mm	70mm
ILBDR001B	Combo	80	400W	1076mm	67mm	70mm

BRIGHT SABRE DUAL ROW MULTI-FUNCTION LED LIGHTBARS



CODE	Beam	LEDs	Watts	A	B	C
ILBDR002BM	Combo	60	300W	815mm	70mm	67mm
<i>Interspersed Multi-Function LEDs - 45 White LEDs / 60 Amber LEDs</i>						
ILBDR001BM	Combo	80	400W	1076mm	70mm	67mm
<i>Interspersed Multi-Function LEDs - 60 White LEDs / 75 Amber LEDs</i>						

NIGHT SABRE SINGLE ROW LED LIGHTBARS



CODE	Beam	LEDs	Watts	A	B	C
Curved Bar						
ILBSR003C	Spot	18	90W	500mm	63mm	54mm
ILBSR002C	Spot	27	135W	722mm	63mm	54mm
ILBSR001C	Spot	36	180W	942mm	63mm	54mm

CURVED BAR



O P Q

TECHNICAL DIMENSIONS AND SPECIFICATIONS SEE PAGE 457

Bull Bar Lights/Upgrades and LED Work Lights

Product Description

DATE AVAILABLE

Part No.

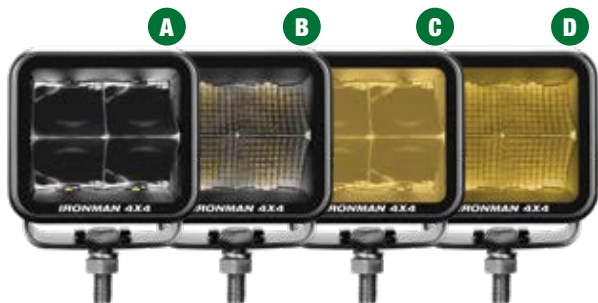
BULL BAR LIGHTS AND UPGRADES

A	20W LED Cube Light Spot Beam - 70 x 64mm (Each) - Clear	ILED20B
B	20W LED Cube Light Spot Beam - 70 x 64mm (Each) - Amber	ILED20BA
C	20W LED Cube Light Flood Beam - 70 x 64mm (Each) - Clear	ILED20BF
D	20W LED Cube Light Flood Beam - 70 x 64mm (Each) - Amber	ILED20BFA
A	12W LED Cube Light Flood Beam - 70 x 64mm (Each) - Red	ILED20BFR
A	40W LED Cube Light Spot Beam - 81 x 75mm (Each) - Clear	ILED80B
B	40W LED Cube Light Spot Beam - 81 x 75mm (Each) - Amber	ILED80BA
C	40W LED Cube Light Flood Beam - 81 x 75mm (Each) - Clear	ILED80BF
D	40W LED Cube Light Flood Beam - 81 x 75mm (Each) - Amber	ILED80BFA
E	20W LED Indicator / Parker Cube Light - 70 x 64mm (Each) - Combination	ILED2.5TURNPARK
F	10W 2" Fog Light (Pair) - Clear - <i>While Stocks Last</i>	IFL0201W
G	10W 2" Fog Light (Pair) - Amber - <i>While Stocks Last</i>	IFL0201A
H	10W Halogen lamp LED replacement to suit IRONMAN 4X4 Bull Bar Light Pod (Pair)	BBPART031
I	Bull Bar LED Parker / Indicator / Daytime Running Light (Pair)	BBPART002

LED WORK LIGHTS

J	30W Universal 3" with Side Shooters (Each)	ILEDUNI3
K	61W Universal 5" with Side Shooters (Each)	ILEDUNI5
L	20W Cosmo Dual LED Light (Each)	ILEDCOSMO
M	10W Spot Beam Universal LED Work Light - 93mm (Each) - Clear	ILEDWL10
N	10W Flood Beam Universal LED Work Light - 93mm (Each) - Amber	ILEDWL10FA
O	9W Flood Beam LED Rock Light - 77 x 44mm (Each) - Clear	IRL120B

CUBE LIGHTS



BULL BAR UPGRADE LIGHTS



TECHNICAL DIMENSIONS AND SPECIFICATIONS SEE PAGE 456

LED WORK LIGHTS



Lights Accessories

Product Description

Part No.

LIGHTBAR ACCESSORIES



ROCK LIGHT ACCESSORIES



CUBE LIGHT COVERS



DRIVING LIGHT COVERS



LIGHTBAR ACCESSORIES

P	Lightbar Clamp Kit to suit BBC Bull Bars - 49mm	ILBCK049
P	Lightbar Clamp Kit to suit BBP Bull Bars - 61mm	ILBCK061

ROCK LIGHT ACCESSORIES

Q	Angled Mounting Pads (Each)	IRL120ANGLEPAD
----------	-----------------------------	----------------

CUBE LIGHT COVERS - 40W

R	Cube Light 40W - Clear	ILED80CVRCLEAR
S	Cube Light 40W - Black	ILED80CVRBLACK
T	Cube Light 40W - Amber	ILED80CVRAMBER
U	Cube Light 40W - Blue	ILED80CVRBLUE
V	Cube Light 40W - Green	ILED80CVRGREEN
W	Cube Light 40W - Red	ILED80CVRRED

LED DRIVING LIGHT COVERS

X	Scope 5" - Black	IDL050COVERSBLK
Y	Scope 5" - Amber	IDL050COVERSAMB
X	Scope 7" - Black	IDL070COVERS
Y	Scope 7" - Amber	IDL070COVERSAMB
X	Scope 9" - Black	IDL090COVERS
Y	Scope 9" - Amber	IDL090COVERSAMB
Z	Blast 7" - Clear	ILCB7CLEAR
AA	Blast 7" - Black	ILCB7BLACK
BB	Blast 7" - Amber	ILCB7AMBER
CC	Blast 7" - Blue	ILCB7BLUE

Wiring Patch Looms

Product Description

Part No.

LIGHT WIRING LOOMS

Megatom Wiring Loom - Suits Set of Two (2) Megatom Lights - <i>While Stocks Last</i>	IWHL004
Lightbar Patch Loom	ILBWL001
Driving Light (7") Patch Loom Suits Scope	IDLWL001
Driving Light (9") Patch Loom Suits Scope	IDLWL002
Lightbar Roof Extension (2.5m)	IDLWL003R
Lightbar Patch Loom to 2 x 7" Driving Lights (3pin)	IDLWL004E
Lightbar Patch Loom to 2 x Driving Lights (2pin) Suits Meteor / Blast	IDLWL006M
Cube Light Patch Loom	IDLWL007C
Cube Dual Light Patch Loom - Use with IDLWL001	IDLWL008C
Strip Light Patch Loom (Park/Indicator) Pair	IBBPL001P

DRIVING LIGHT/LIGHTBAR PATCH WIRING LOOMS TO SUIT

Ford F-150 Series 14 - with CAN Module 2021+	IPLS109
Ford PX Ranger / Everest 2011-2022	IPLS066
Ford Next-Gen Ranger / Everest 2022+	IPLS110
Ford Next-Gen Ranger / Everest Platinum - with CAN Module 2022+	IPLS115P
Ford Next-Gen Raptor 2022+	IPLS111
GWM Tank 300	IPLS100
Holden Colorado 2016-2020	IPLS057
Isuzu D-Max 2019+	IPLS074
Isuzu MU-X 2021+	IPLS095
Jeep Gladiator / Wrangler 2018-2019	IPLS077
LDV T60 Max 2021+	IPLS096
Mazda BT50 2020+	IPLS074
Mazda BT50 2012-2020	IPLS039
Mitsubishi Pajero Sport 2016+ (QF model only)	IPLS079
Mitsubishi Triton MV 2024+ - with CAN Module	IPLS120
Mitsubishi Triton MR 2018-2023	IPLS067
Nissan Navara NP300 Series 1-4 2015-2020	IPLS048
Nissan Patrol Y62 Series 5 2019+	IPLS084
Ram 1500 DS 2014+	IPLS075
Ram 1500 DT 2019+	IPLS085
Ssangyong Musso Q250 2022+	IPLS088
Suzuki Jimny 2018+	IPLS070
Toyota Hilux 2020+	IPLS076
Toyota Hilux 2020+ - Low Spec	IPLS076L
Toyota Landcruiser 300 Series 2022+	IPLS090
Toyota Landcruiser 70 Series 2024+	IPLS114
Toyota Landcruiser 70 Series 2007+	IPLS019
Toyota Prado 150 2017+	IPLS064
Toyota Prado 150 2009-2017	IPLS047
Volkswagen Amarok 2016-2022	IPLS060

BULL BAR PATCH WIRING LOOMS TO SUIT

Ford F-150 Series 14 - with CAN Module 2021+	IBBPL109
Ford PXIII Ranger / Everest 2018-2022	IBBPL066
Ford PXIII Ranger - Parking Sensor Extension Loom 2018-2020	IBBPSL066
Ford Next-Gen Ranger / Raptor / Everest 2022+	IBBPL110
GM/Chevrolet 1500 / 2500 2019+	IBBPL087
GWM Cannon 2020+	IBBPL083
Isuzu D-Max 2019+	IBBPL074
Mazda BT50 2020+	IBBPL074
Mazda BT50 2012-2020	IBBPL039

Wiring Patch Looms / Auto Electrical / Dual Battery Systems

Product Description

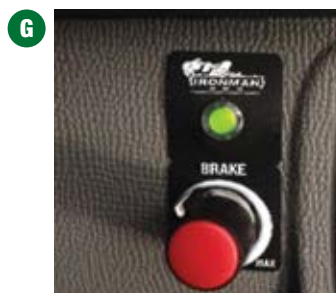
Part No.

BULL BAR PATCH WIRING LOOMS TO SUIT (CONTINUED)

Mitsubishi Pajero Sport 2016+	IBBPL079
Mitsubishi Triton MV 2024+	IBBPL120
Mitsubishi Triton MR 2018+	IBBPL067
Nissan Navara NP300 Series 5 High Spec Headlight 2021+	IBBPL082
Nissan Navara NP300 Series 5 Low Spec Headlight 2021+	IBBPL082L
Nissan Patrol Y62 Series 5 2019+	IBBPL084
Nissan Patrol Y62 Series 5 - Parking Sensor Extension Loom 2020+	IBBPSL084
Ram 1500 DS 2014+	IBBPL075
Ram 1500 DT 2019+	IBBPL085
Ssangyong Musso Q250 2022+	IBBPL088
Suit Toyota Hilux 2020+	IBBPL076
Suit Toyota Hilux 2020+ - Low Spec	IBBPL076L
Toyota Landcruiser 300 Series 2022+	IBBPL090
Toyota Landcruiser 300 Series - Parking Sensor Extension Loom 2022+	IBBPSL090
Toyota Landcruiser 70 Series 2024+	IBBPL114
Toyota Landcruiser 70 Series 2007+	IBBPL019
Toyota Prado 150 Series 2017+	IBBPL064
Toyota Prado 150 Series 2009-2017	IBBPL047
Volkswagen Amarok 2016-2022	IBBPL060

AUTO ELECTRICAL

A 40A DC to DC Battery Charger with Solar Input (Not comp. with IDCDCSA Start Assist)	IDCDCSOLAR
B 40A DC to DC Battery Charger (80A when combined with Start Assist Kit)	IDCDC40
C 12V Digital Battery Monitor (Suits single and dual battery setups)	IDBM001
D 140A Battery Manager (Only)	DB140
E 275A Battery Manager (Only)	DB270
Dual Battery Loom	DB LOOM
F Universal Fit Battery Tray for Ute Tubs	IBTRAYTUB
G Electric Brake Controller (With Remote Head)	IEBC001
H Start Assist Booster Kit (Suits IDCDC40 Only)	IDCDCSA
I 50A Charge Wire Kit (6m x 8mm High Current Cable)	IAPKIT



Storage - Water Tanks

Product Description

Part No.

WATER TANKS - L X D X H (*INCLUDES HEIGHT OF SCREW CAP)

A 20L Jerry Can with Tap - (350 x 170 x 460mm)	IWT001
B 40L Double Jerry Can with Barbed Outlet - (465 x 340 x 335mm)	IWT002
C 40L Vertical Tank with Barbed Outlet - (1100 x 75 x 700mm*)	IWT003
D 50L Roof Rack Tank with Barbed Outlet - (1200 x 600 x 120mm*)	IWT004
E 50L Wheel Arch Tank with Barbed Outlet - (1215 x 120 x 590mm*)	IWT005
F 50L Tapered Tank with Tap and Barbed Outlet - (1050 x 200 x 390mm*)	IWT006
G 60L Tank with Tap and Barbed Outlet - (845 x 360 x 270mm*)	IWT007
H 1.5m Plastic Water Hose Kit - Connects to barbed outlet on tanks	IWTHOSE
I 15L Under Tray Hand Wash Tank with Tap - (345 x 255 x 305mm)	IWT008
J 30L Mountable Water Tank - 12V Power - With Accessories (1610 x 190 x 130mm)	IWT009
WATER PUMP	
K Pressure Water Pump - 4.3L / 12VDC	IWP0034
L Pressure Water Pump - 12.5L / 12VDC	IWP0045

**TECHNICAL DIMENSIONS
SEE PAGE 468**



Hand Wash not included

NEW

Storage - Plastic / Metal

Product Description

Part No.

MAXI CASES - L X D X H

- M** 48L - 410 x 410 x 410mm - *Does not include removable tool tray
- N** 60L - 550 x 460 x 335mm (Includes tool tray)
- O** 65L - 900 x 460 x 250mm - *Does not include removable tool tray
- P** 100L - 700 x 460 x 410mm (Includes tool tray)
- Q** 140L - 915 x 460 x 440mm (Includes tool tray)
- R** 216L - 1300 x 460 x 460mm (Includes tool tray)
- S** Removable Tool Tray

STEEL TOOL BOXES - L X D X H

- T** Steel Truck Box - 700 x 640 x 750mm



Atlas Rack Platforms and Blades

Product Description

Part No.

PLATFORMS - ASSEMBLED

A Platform A - 1240 x 1530mm	IFR9337
Platform B - 1380 x 1530mm	IFR9338
Platform E - 1240 x 2130mm	IFR9341
Platform G - 1570 x 1390mm	IFR9343
Platform K - 1240 x 1390mm	IFR9347
Platform L - 1380 x 1390mm	IFR9348
Platform N - 1380 x 2130mm	IFR9373
Platform S - 1485 x 1530mm	IFR9378

B ROOF RACK BLADES

To Suit Ford Next-Gen Everest - Ambiente, Trend and Sport	IFR0115TS
To Suit Ford Next-Gen Everest - Platinum	IFR0115PL
To Suit Ford Next-Gen Ranger Wildtrak Dual Cab	IFR0110WT
To Suit Ford Ranger PX Dual Cab	IFR0055
To Suit Ford Ranger Wildtrak Dual Cab	IFR0055WT
To Suit Isuzu D-Max Dual Cab 2020+	IFR0064
To Suit Isuzu MU-X 8/2021+	IFR0095
To Suit Mitsubishi Pajero Sport 7/2019+	IFR0079
To Suit Mitsubishi Triton MQ and MR Dual Cab	IFR0067
To Suit Nissan Navara NP300 Dual Cab	IFR0048
To Suit Nissan Patrol Y62 - Full Length	IFR0062L
To Suit Ram 1500 DS Crew Cab	IFR0075
To Suit Ram 1500 DT Crew Cab	IFR0085
To Suit Toyota Hilux Mk8 Dual Cab	IFR0065
To Suit Toyota Landcruiser 200 Series - Sun Roof Model	IFR0056
To Suit Toyota Landcruiser 200 Series - Full Length	IFR0056L
To Suit Toyota Prado 150	IFR0047
To Suit Pinnacle 2 Canopy	IFRPIN2
To Suit Slide-Away Hard Tonneau Cover	IFRSLDAWAY



**TECHNICAL DIMENSIONS AND SPECIFICATIONS
SEE PAGE 452**



Atlas Legs, Crossbars and Fit Kits

Product Description

Part No.

LEGS

C Fixed Point and Track Leg (Mk1) - (4 Pack)	IFR0143
Fixed Point and Track Leg (Mk1) - (6 Pack)	IFR0144
Fixed Point and Track Leg (Mk2) - (4 Pack)	IFR0304
D Gutter Mount Leg - 110mm (2 Pack)	IFR0350
Gutter Mount Leg - 150mm (2 Pack)	IFR0351
E Factory Rail Mount Leg - (2 Pack)	IFR000RRI

CROSSBARS

F Crossbar 1250mm - (1 Bar)	IFR0516
Crossbar 1375mm - (1 Bar)	IFR0517
Crossbar 1500mm - (1 Bar)	IFR0518
Crossbar 1650mm - (1 Bar)	IFR0519

FIT KITS

Ford Everest 2015-2022 - Fit Kit	IFR055FL
Ford Ranger Dual Cab 2011-2022 - Track Kit	IFR0316
Isuzu D-Max Dual Cab 2020+ - Crossbar Flush Kit	IFR1007
Isuzu D-Max Dual Cab 2020+ - Fit Kit	IFR074FP
Isuzu M-UX 2020+ - Fit Kit	IFR095FL
Mazda BT50 Dual Cab 2020+ - Fit Kit	IFR074FP
Mazda BT50 Dual Cab 2011-2020 - Track Kit	IFR0316
Mitsubishi Pajero Sport 2016+ - Fit Kit	IFR079FL
Mitsubishi Triton MQ and MR Dual Cab 2015+ - Track Kit	IFR0330
Nissan Navara NP300 Dual Cab 2015+ - Track Kit	IFR0328
Nissan Patrol Y60 2020+ - Fit Kit	IFR084FP
Toyota Hilux Dual Cab 2005-2015 - Track Kit	IFR0315
Toyota Hilux Dual Cab 2015+ - Track Kit	IFR0321
Toyota Landcruiser 200 Series - 3 Crossbar Kit	IFR0311
Toyota Landcruiser 300 Series 2022+ - Fit Kit	IFR090FP
Toyota Prado 150 - 3 Crossbar Kit	IFR0311
P3 Leg - Fit Kit	IFR000RRI
Universal Track Kit - 800mm	IFR0360
Universal Track Kit - 1200mm	IFR0362
Canopy Permanent Mount Kit	IFR1034

**SEE VEHICLE LISTING PAGES FOR VEHICLE SPECIFIC COMPLETE KIT OPTIONS
REFER TO VEHICLE MANUFACTURER FOR SPECIFIC ROOF LOAD CARRYING CAPACITY**



Atlas Rack and Crossbar Accessories

Product Description

Part No.

ACCESSORIES

A Shovel Holder	IFR3204
B Eye Bolt Kit - (2 Pack)	IFR5022
C Load Holder - (2 Pack)	IFR5025
D Awning Brackets Kit (Shown on next page)	IFR5029
E Recovery Tracks Holder Kit (Shown on next page)	IFR5031
F Platform Spare Wheel Restraint (Shown on next page)	IFR5032
G High Lift Jack Holder (Shown on next page)	IFR5033
H Platform Gas Bottle Holder	IFR5034
I Platform Corner Brackets Kit	IFR5036
J Platform Jerry Can Holder	IFR5038
K Platform Bottle Opener	IFRBOTT
L Multi-Fit Light Bracket Kit	IFRLIGHTKIT
M Ratchet Grabs - (1)	IFRRATC
N Load Roller - (1)	IFRROLL
O Cam Buckle Straps - 2m Length (2 Pack, Includes Soft Loops) - Not shown	IRATCHET0012
P Ratchet Tie Down Straps - 3.6m Length (4 Pack, Includes Soft Loops) - Not shown	IRATCHET0023
Q Ratchet Tie Down Straps - 3.6m Length (2 Pack)	IRATCHET0034
R T-Bolt M6 with Fasteners (4 Pack)	IFRFASTPACK1
T-Bolt M8 with Fasteners (4 Pack)	IFRFASTPACK2
S Channel Nut M6 (4 Pack)	IFRFASTPACK3
Channel Nut M8 (4 Pack)	IFRFASTPACK4
Channel Nut M10 (4 Pack)	IFRFASTPACK5
T Cross Bar 8mm Height Packer Kit for Cross Bar (Pair)	IFRHIGHPACK1
Cross Bar 15mm Height Packer Kit for Cross Bar (Pair)	IFRHIGHPACK2
Cross Bar 23mm Height Packer Kit for Cross Bar (Pair)	IFRHIGHPACK3



Atlas Rack and Crossbar Accessories

Product Description

Part No.



Alloy / Steel Roof Racks / Mount Accessories

Product Description

Part No.

ALLOY ROOF RACKS - POWDERCOATED METALLIC GREY, MESH FLOOR

A Flat Rack - 1.8m x 1.25m - <i>While Stocks Last</i>	IRRTFLAT18-ALLOY
B Cage Style - 1.8m x 1.25m - <i>While Stocks Last</i>	IRRCAGE18-ALLOY
Cage Style - 2.2m x 1.25m - <i>While Stocks Last</i>	IRRCAGE22-ALLOY
C Trade Style - 1.4m x 1.25m (Open end) - <i>While Stocks Last</i>	IRROPEN14-ALLOY
Trade Style - 1.8m x 1.25m (Open end) - <i>While Stocks Last</i>	IRRTRADE18-ALLOY
Trade Style - 2.2m x 1.25m (Open end) - <i>While Stocks Last</i>	IRRTRADE22-ALLOY
Crossbar - <i>While Stocks Last</i>	IRRCROSSBAR001

STEEL ROOF RACKS - POWDERCOATED BLACK, MESH FLOOR

D Cage Style - 1.4m x 1.25m - <i>While Stocks Last</i>	IRRCAGE14
E Rooftop Tent Compatible - 1.8m x 1.25m - <i>While Stocks Last</i>	IRRTENT18
Rooftop Tent Compatible - 2.2m x 1.25m - <i>While Stocks Last</i>	IRRTENT22
F Trade Style - 2.2m x 1.25m (Open end) - <i>While Stocks Last</i>	IRRTRADE22

UNIVERSAL ALLOY ROOF RAIL EXTRUSION - SOLD SEPARATELY

G Alloy Extrusion - 1085mm (2 Pieces - Inc. mounting hardware)	IRREXT1085
---	------------

ROOF RACK MOUNTING KITS - SOLD SEPARATELY

H Mount Feet to suit Holden Colorado 7/Trailblazer (6 Feet) - <i>While Stocks Last</i>	IRRFEET001
H Mount Feet to suit Toyota Landcruiser 200 (8 Feet) - <i>While Stocks Last</i>	IRRFEETLC200
H Mount Feet to suit Isuzu MU-X (6 Feet) - <i>While Stocks Last</i>	IRRFEETMUX
H Mount Feet to suit Toyota Prado 150 (2 Feet) - <i>While Stocks Last</i>	IRRFEETPRADO150
ABS Canopy Feet to suit 1.4m Rack	IRRFEETABS14
Wheel Clamp - <i>While Stocks Last</i>	IRRWHEEL CLAMP



**TECHNICAL DIMENSIONS AND SPECIFICATIONS SEE PAGE 453
REFER TO VEHICLE MANUFACTURER FOR SPECIFIC ROOF LOAD CARRYING CAPACITY**

Fleet and Mining Accessories

Product Description

Part No.

FLEET / MINING ACCESSORIES

A High Visibility Light Bar (With lights, reverse alarm and beacon)	MINING005
B Fire Extinguisher (1kg)	IFIRE EXTINGUISHER
C High Mount Flag - 1.8m (With red LED)	MINING001
D High Mount Flag - 2.4m (With red LED)	MINING008
E Hi Vis Sand Flag (1m, 2m or 3m length)	IHVFLAG
F Reverse Camera - OE Appr. (With rear view mirror replacement) - <i>While Stocks Last</i>	IREVERSECAM001
G Wheel Chocks - Rated to 6 tonne (set of 2)	IWC6T



Apparel

Product Description

Part No.

IRONMAN 4X4 60TH ANNIVERSARY T-SHIRT

A Size Mens - S	IMTS001MS
Size Mens - M	IMTS001MM
Size Mens - L	IMTS001ML
Size Mens - XL	IMTS001MXL
Size Mens - 2XL	IMTS001M2XL
Size Mens - 3XL	IMTS001M3XL
Size Mens - 5XL	IMTS001M5XL
Size Womens - S	IMTS001WS
Size Womens - M	IMTS001WM
Size Womens - L	IMTS001WL
Size Womens - XL	IMTS001WXL

IRONMAN 4X4 FOAM CELL PRO T-SHIRT

B Size Mens - S	IMTS002MS
Size Mens - M	IMTS002MM
Size Mens - L	IMTS002ML
Size Mens - XL	IMTS002MXL
Size Mens - 2XL	IMTS002M2XL
Size Mens - 3XL	IMTS002M3XL
Size Mens - 5XL	IMTS002M5XL



Merchandise

Product Description

Part No.

MERCHANDISE

C IRONMAN 4X4 Key Rings	KEY001
D IRONMAN 4X4 Bottle Opener Key Rings	KEY002
E IRONMAN 4X4 Breezy Cap - Curved Peak Black Cap	CAP002
F IRONMAN 4X4 Bank Cap - Flat Peak Grey Cap	CAP003
G IRONMAN 4X4 Numberplate Surrounds - Slimline Fit (Pair)	INUMBPLATESLIM
H Thermal Travel Tumbler 940ml / 32oz	IDRINKWARE0034
I Thermal Travel Tumbler 590ml / 20oz	IDRINKWARE0023
J Thermal Travel Tumbler 355ml / 12oz	IDRINKWARE0012
K IRONMAN 4X4 Car Air Freshener (Adventure Fresh) *Non-retail sold as box of 150 only	IAIRFRESHBOX
L The Australian 4WD Handbook	IBOOK001





It's a RAID

{IRONMAN}
4X4

ACCESSORIES AND SUSPENSION CATALOGUE

Effective 1 June 2024



{ IRONMAN }
4X4

Dacia Duster

2010+



Product Description

Part No.

Qty
Req

Please check vehicle date range (if shown) next to product description prior to ordering

SUSPENSION TO SUIT DACIA DUSTER

FRONT SUSPENSION

SHOCK ABSORBER

Nitro Gas Strut - Performance

12747GR 2

COIL SPRINGS

Medium Est. Lift 40mm Additional Load 0 - 50kg

REN001B 1

CAMBER CORRECTION

Camber Bolt Kit

ICAMBER12 1

REAR SUSPENSION

SHOCK ABSORBER

Nitro Gas Strut - Performance

12748GR 2

COIL SPRINGS

Medium Est. Lift 40mm Additional Load 0 - 200kg

REN002B 1

CAMBER CORRECTION

Camber Bolt Kit

ICAMBER12 1

SUSPENSION KIT - Specify Front Coil Springs When Ordering

Medium - Nitro Gas

REN001BKG

SUSPENSION KIT CONTENTS

Shock Absorbers

Camber Bolt Kits

Coil Springs



2016+

Fiat Fullback

Product Description

Part No.

Qty
Req

Please check vehicle date range (if shown) next to product description prior to ordering

ACCESSORIES TO SUIT FIAT FULLBACK

STEEL WINCH BULL BARS

Commercial Bull Bar	BBC050
Deluxe Bull Bar	BBBD050
Proguard No Loop Bull Bar	BBT050-NL
Proguard Single Loop Kit	BB050-SL
Proguard Triple Loop Kit	BB050-TL

STEEL SIDE STEPS AND RAILS - FITS DUAL AND CLUB CAB

Side Steps	SS050
Side Rails	SS050 RAIL
Side Steps and Rails	SSR050

TOWING

Class 4 Towbar - Compatible with Factory Rear Bumper	TB050
Rear Protection Towbar - Full Rear Bumper Replacement	RTB050
Rear Protection Towbar Plates	RTBPLATE050
Towbar Wiring Loom - Plug and Play	ITBL050

RECOVERY POINTS - IRONMAN 4X4 BULL BAR ONLY

Recovery Points - 5000kg Rating (Pair)	IRP050
--	--------

BATTERY TRAY

Suits 12" Battery	IBTRAY050
-------------------	-----------

SNORKEL - SUITS 2.4L DIESEL

Triton MQ 2015+	ISNORKEL050
-----------------	-------------

LONG RANGE FUEL TANK

125L* Diesel only - Fits Dual Cab only	TANK004
--	---------

* Usable volume may differ to the stated tank capacity

PREMIUM UNDERBODY PROTECTION

Engine Bay and Transmission	UBP050
-----------------------------	--------

CANOPY - ABS PLASTIC (SIDE LIFT UP WINDOWS AND CENTRAL LOCKING REAR DOOR) - FITS 4X4 AND 4X2 DUAL CAB MODELS

Pre Primed	CANOPY014-P
------------	-------------

• See Page 38 for 1.4m Roof Rack options and pricing.

CANOPY - PINNACLE SMOOTH FINISH FIBREGLASS (SIDE LIFT UP WINDOWS AND CENTRAL LOCKING REAR DOOR) - FITS 4X4 AND 4X2 DUAL CAB MODELS

Black Mica (X08)	CANFIBRE050-BM
Impulse Blue (D23)	CANFIBRE050-IB
Titanium Grey (U17)	CANFIBRE050-TG
Sterling Silver (U25)	CANFIBRE050-SS
White Solid (W32)	CANFIBRE050-WS

CANOPY - PINNACLE 2 FIBREGLASS (SIDE LIFT UP WINDOWS AND CENTRAL LOCKING REAR DOOR) - FITS 4X4 AND 4X2 DUAL CAB MODELS

Pre-Primed	ICANOPY050-P
Black Mica (X08)	ICANOPY050-BM
Graphite Grey (U28)	ICANOPY050-GG
Impulse Blue (D23)	ICANOPY050-IB
Sterling Silver (U25)	ICANOPY050-SS
Titanium Grey (U17)	ICANOPY050-TG
White Solid (W32)	ICANOPY050-WS

* Pre-primed canopies, plus colour coding.

SLIDE-AWAY ROLL UP HARD TONNEAU COVER

Electric with Remote Control	ISLIDEAWAY067-E
Sports Bar Adaptor	ISLIDEAWAY067-SBA

ATLAS ROOF RACK KITS

Platform K with Leg Fit Kit to Suit Pinnacle 2 Canopy - 1390mm Length	IFRP2PKK
Crossbar (x 2) and Fit Kit to Suit Pinnacle 2 Canopy - 1250mm Width	IFRP2C125K
Platform G with Blade Fit Kit to Suit Slideaway Hard Tonneau Cover - 1390mm Length	IFRSLDAWAYPGK
Crossbar (x 2) and Fit Kit to Suit Slideaway Hard Tonneau Cover - 1650mm Width	IFRSLDAWAYC2K

• See Page 38-41 for more Atlas rack, crossbar and accessory options.

BREATHER KIT

Universal Twin Manifold Filtered Breather Kit	IDIFFBRE
---	----------

Fiat Fullback

2016+



Product Description

Part No.

Qty
Req

Please check vehicle date range (if shown) next to product description prior to ordering

SUSPENSION TO SUIT FIAT FULLBACK

FRONT SUSPENSION

SHOCK ABSORBER

Nitro Gas Strut - Performance			12715GR	2
Foam Cell Strut - Performance			24715FE	2
Foam Cell Pro Strut - Performance* (SEE NOTE)			45715FE	2

*NOTE: MANDATORY FITMENT of UCA050FA and MITS045B /C Coil Springs with 45715FE

COIL SPRINGS

	Est. Lift	Additional Load		
Standard	0mm	0 - 50kg	MITS040S	1
Light	25mm	0 - 50kg	MITS040A	1
Medium	30mm	0 - 80kg	MITS040B	1
Medium* (SEE NOTE)	50mm	0 - 80kg	MITS045B *	1
Heavy	30mm	80 - 110kg	MITS040C	1
Heavy* (SEE NOTE)	50mm	80 - 110kg	MITS045C *	1

*NOTE: MANDATORY FITMENT of UCA050FA and 45715FE with (MITS045B /C) Coil Springs

STRUT MOUNTS

Steel Strut Top			ISST010	2
-----------------	--	--	----------------	---

TRIM PACKERS

5mm Strut Trim Packer	Nitro Gas / Foam Cell	HILFR05/HILFR05F	2
10mm Strut Trim Packer	Nitro Gas / Foam Cell	HILFR10/HILFR10F	2
15mm Strut Trim Packer	Nitro Gas / Foam Cell	HILFR15/HILFR15F	2

• ONLY Compatible with IRONMAN 4X4 Struts, lift height subject to 2:1 motion ratio. Unnecessary fitment may lift vehicle too high

CONTROL ARMS

Pro-Forge Upper Control Arms*			UCA050FA-B	1
-------------------------------	--	--	-------------------	---

*NOTE: May require the fitment of additional droop stop shim (UCAP050) to prevent CV bind

Fiat Fullback

2016+

Product Description

Part No.

Qty
Req*Please check vehicle date range (if shown) next to product description prior to ordering***REAR SUSPENSION****SHOCK ABSORBER**

Nitro Gas - Comfort			12729GRC	2
Nitro Gas - Performance			12729GR	2
Nitro Gas - Professional			12729GRP	2
Foam Cell - Comfort			24729FEC	2
Foam Cell - Performance			24729FE	2
Foam Cell - Professional			24729FEP	2
Foam Cell Pro - Comfort			45729FEC	2
Foam Cell Pro - Performance			45729FE	2
Foam Cell Pro - Professional			45729FEP	2

LEAF SPRINGS

	Est. Lift	Additional Load		
Light	30mm	0 - 200kg	MITSO47A	2
Medium	30mm	0 - 300kg	MITSO47B	2
Heavy	30mm	300kg - GVM	MITSO47C	2

- Two piece tailshaft models may experience driveline vibration, use 1201K to reduce vibration.

U-BOLTS

U-Bolt Kit			437UBK	2
U-Bolt Kit	Suits MITSO47C		437UBKL	2

POLYURETHANE SPRING BUSHES

Bush Kit			1200UK	1
----------	--	--	---------------	---

DRIVELINE SPACERS

Centre Bearing Spacer Kit			1201K	1
---------------------------	--	--	--------------	---

SPACER KIT

Brake Hose Relocation Kit			1205K	1
---------------------------	--	--	--------------	---

GREASABLE SHACKLES AND PINS

Greasable Shackle			1199	2
Non-Greasable Pin			387-1	2

HELPER SPRINGS

Load Plus Helper Springs			LP3	1
Add-A-Leaf			ISL6010	1

SUSPENSION KIT - Specify Front Coil Springs When Ordering

Light - Nitro Gas	MITSO47AKG
Light - Foam Cell	MITSO47AKF
Medium - Nitro Gas	MITSO47BKG
Medium - Foam Cell	MITSO47BKF
Medium - Foam Cell Pro	MITSO47BKP
Heavy - Nitro Gas	MITSO47CKG
Heavy - Foam Cell	MITSO47CKF
Heavy - Foam Cell Pro	MITSO47CKP

- Two piece tailshaft models may experience driveline vibration, use 1201K to reduce vibration

SUSPENSION KIT CONTENTS

Shock Absorbers	Coil Springs	Upper Control Arms (Foam Cell Pro Kits Only)	Brake Hose Relocation Kit
Leaf Springs	U-Bolts	Polyurethane Spring Bushes	Centre Bearing Spacer Kit
Strut Shock Absorbers			

Ford Bronco

2020+



Product Description

Part No.

Qty
Req

Please check vehicle date range (if shown) next to product description prior to ordering

ACCESSORIES TO SUIT FORD BRONCO - 2020+

STEEL WINCH BULL BARS

Raid Bull Bar - Includes Integrated Recovery Points

BBR089

Driving Light / Lightbar Patch Loom

TBA

105W Bright Sabre-X Single Row Slim Lightbar 522mm (20") Straight to suit Raid Bull Bar

ILBSR003B

1

• Raid Bull Bars are compatible with IRONMAN 4X4 Lightbars and 20W Cube Lights, refer page 29-33 for available options

• Winch with Steel Cable and Roller Fairlead is not suitable - Use Winch with Synthetic Rope and Alloy Hawse only

STEEL SIDE STEPS

Side Steps

SS089

REAR PROTECTION

Raid Steel Rear Bumper

RTB089

• Raid Rear Bars are compatible with IRONMAN 4X4 20W Cube Lights, refer page 32 for available options

BREATHER KIT

Universal Twin Manifold Filtered Breather Kit

IDIFFBRE

SUSPENSION TO SUIT FORD BRONCO - 2020+

FRONT SUSPENSION

SHOCK ABSORBER

Nitro Gas Strut - Performance ¹

12004GR

2

Foam Cell Pro Strut - Performance

45004FE

2

¹ Height adjustable with IRONMAN 4X4 Strut Trim Packers

COIL SPRINGS

	Est. Lift	Additional Load		
Light	75mm	0 - 50kg	FOR019A	1
Medium	75mm	0 - 50kg	FOR019B	1
Heavy	75mm	50 - 110kg	FOR019C	1

STRUT MOUNTS

Steel Strut Top

ISST110

2

TRIM PACKERS

5mm Strut Trim Packer

Nitro Gas

HILFR05

2

• ONLY Compatible with IRONMAN 4X4 Struts (except Pro), lift height subject to 2:1 motion ratio. Unnecessary fitment may lift vehicle too high

REAR SUSPENSION

SHOCK ABSORBER

Nitro Gas - Comfort

12005GRC

2

Nitro Gas - Performance

12005GR

2

Foam Cell Pro - Comfort

45005FEC

2

Foam Cell Pro - Performance

45005FE

2

Foam Cell Pro - Professional

45005FEP

2

COIL SPRINGS

	Est. Lift	Additional Load		
Light	75mm	0-150 kg	FOR020A	1
Medium	75mm	150-300 kg	FOR020B	1
Medium - with Accessories	75mm	300-GVM	FOR020C	1

PANHARD ROD

Panhard Rod Relocation Kit

TBA

1

SUSPENSION KIT - Specify Front Coil Springs When Ordering

Light - Nitro Gas

FOR019AKG

Light - Foam Cell Pro

FOR019AKP

Medium - Nitro Gas

FOR019BKG

Medium - Foam Cell Pro

FOR019BKP

Heavy - Nitro Gas

FOR019CKG

Heavy - Foam Cell Pro

FOR019CKP

SUSPENSION KIT CONTENTS

Shock Absorbers

Strut Shock Absorbers

Coil Springs



Series 14
2021+

Ford F-150

Product Description

Part No.

Qty
Req

Please check vehicle date range (if shown) next to product description prior to ordering

ACCESSORIES TO SUIT FORD F-150 SERIES 14 - 2021+

STEEL WINCH BULL BARS

Premium Bull Bar - 60.3mm Tube	BBP109
Apex Bull Bar - 60.3mm Tube	BBP109C
Apex Bull Bar Kit* - 60.3mm Tube	BBP109CK
Raid Bull Bar - Includes Integrated Recovery Points	BBR109
Raid Bull Bar Kit*	BBR109K
Bull Bar Multi-Function Light Patch Loom - With CAN Module	IBBPL109
Driving Light / Lightbar Patch Loom - With CAN Module	IPLS109
<ul style="list-style-type: none"> • Apex and Raid Bull Bars are compatible with IRONMAN 4X4 Lightbars and 20W or 40W Cube Lights, refer page 29-33 for available options • Winch with Steel Cable and Roller Fairlead is not suitable - Use Winch with Synthetic Rope and Alloy Hawse only 	

SLIDE-AWAY ROLL UP HARD TONNEAU COVER

Electric with Remote Control - 6.5' Bed	ISLIDEAWAY073L-E
Electric with Remote Control - 5.8' Bed	ISLIDEAWAY075-E

ATLAS ROOF RACK KITS

Platform G with Blade Fit Kit to Suit Slideaway Hard Tonneau Cover - 1390mm Length	IFRSLDAWAYPGK
Crossbar (x 2) and Fit Kit to Suit Slideaway Hard Tonneau Cover - 1650mm Width	IFRSLDAWAYC2K
<ul style="list-style-type: none"> • See Page 38-41 for more Atlas rack, crossbar and accessory options. 	

BREATHER KIT

Universal Twin Manifold Filtered Breather Kit	IDIFFBRE
---	----------

BULL BAR KIT* CONTENTS

Apex Bull Bar	Bull Bar Patch Loom	Cube Lights (2)	Turn / Park Cube Lights (2)
Raid Bull Bar	Driving Light Loom	Cube Light Adaptor	Lightbar Cube Lights (4)



Ford F-150

Series 14
2021+

Product Description

Part No.

Qty
Req

Please check vehicle date range (if shown) next to product description prior to ordering

SUSPENSION TO SUIT FORD F-150 SERIES 14 - 2021+

FRONT SUSPENSION

SHOCK ABSORBER

Nitro Gas Strut - Performance ¹			12887GR	2
Foam Cell Pro Strut - Performance			45887FE	2

¹ Height adjustable with IRONMAN 4X4 Strut Trim Packers

COIL SPRINGS

	Est. Lift	Additional Load		
Light	50mm	0 - 50kg	FOR013A	1
Light	75mm	0 - 50kg	FOR015A	1
Medium	50mm	0 - 50kg	FOR013B	1
Medium	75mm	0 - 50kg	FOR015B	1
Heavy	50mm	50 - 110kg	FOR013C	1
Heavy	75mm	50 - 110kg	FOR015C	1

ALIGNMENT LOBES

Alignment Lobes to suit			77006K	1
-------------------------	--	--	---------------	---

STRUT MOUNTS

Steel Strut Top			ISST109	2
-----------------	--	--	----------------	---

TRIM PACKERS

5mm Strut Trim Packer		Nitro Gas	HILFR05	2
-----------------------	--	-----------	----------------	---

• ONLY Compatible with IRONMAN 4X4 Struts (except Pro), lift height subject to 2:1 motion ratio. Unnecessary fitment may lift vehicle too high

REAR SUSPENSION

SHOCK ABSORBER

Nitro Gas - Comfort			12888GRC	2
Nitro Gas - Performance			12888GR	2
Foam Cell Pro - Comfort			45888FEC	2
Foam Cell Pro - Performance			45888FE	2
Foam Cell Pro - Professional			45888FEP	2

LEAF SPRINGS

	Est. Lift	Additional Load		
Light	50mm	0 - 200kg	FOR014A	2
Medium	50mm	0 - 300kg	FOR014B	2
Heavy - with Accessories	50mm	300kg - 600kg	FOR014C	2
Extra Heavy	50mm	600kg - GVM	FOR014D	2

U-BOLTS

U-Bolt Kit			449UBK	2
------------	--	--	---------------	---

POLYURETHANE SPRING BUSHES

Bush Kit			1226UK	1
----------	--	--	---------------	---

SPACER KITS

Bump Stop Spacer Kit*			77009K	1
-----------------------	--	--	---------------	---

* 77009K Mandatory fitment when using 12888 or 45888

PINS

Rear Leaf Fixed End Bolt*			1227	2
---------------------------	--	--	-------------	---

* LHS fixed end bolt interferes with fuel tank. It is recommended to cut OEM bolt and replace with 1227

Ford F-150

Series 14
2021+

Product Description

Part No.

Qty
Req

Please check vehicle date range (if shown) next to product description prior to ordering

SUSPENSION KIT - Specify Front Coil Springs When Ordering

Light - Nitro Gas	FOR013AKG
Light - Foam Cell Pro	FOR013AKP
Medium - Nitro Gas	FOR013BKG
Medium - Foam Cell Pro	FOR013BKP
Heavy - Nitro Gas	FOR013CKG
Heavy - Foam Cell Pro	FOR013CKP
Extra Heavy - Nitro Gas	FOR013DKG
Extra Heavy - Foam Cell Pro	FOR013DKP

LIFT AND LEVEL KIT

Spacer Kit - To Suit Nitro Gas Shock Absorbers*	3.5"Lift - Front	1.5"Lift - Rear	78-109-001	1
Spacer Kit - To Suit OEM Shock Absorbers†	3.5"Lift - Front	1.5"Lift - Rear	76-109-001	1

* Only compatible with IRONMAN 4X4 Nitro Gas shock absorbers 12890GR and 12891GR

† Warning: Not for use on trucks that are factory pre-lifted/levelled or have an "off-road package", eg. Tremor or FX4 Edition. Not for use on aftermarket shock absorbers.

• For use on 4WD vehicles only

SUSPENSION KIT CONTENTS

Shock Absorbers	Coil Springs	U-Bolts	Bump Stop Spacer Kit
Strut Shock Absorbers	Leaf Springs	Polyurethane Spring Bushes	Rear Leaf Fixed End Bolt

LIFT AND LEVEL KIT CONTENTS

78-109-001 - Nitro Gas Shock Absorbers	Tubular Steel UCA	Alloy Strut Spacer	Alignment Kit
	Cast Leaf Block	U-Bolts	Nitro Gas Twin Tube Shock Absorber
76-109-001 - OEM Shock Absorbers	Tubular Steel UCA	Alloy Strut Spacer	Alloy Preload Spacer
	Alignment Kit	Cast Leaf Block	U-Bolts
	Rear Shock Extension	Rear Bump Stop Extension	Prop Shaft Spacer

Ford F-150

Series 13
2015 to 2020



Product Description

Part No.

Qty
Req

Please check vehicle date range (if shown) next to product description prior to ordering

ACCESSORIES TO SUIT FORD F-150 SERIES 13 - 2015-2020

STEEL SIDE STEPS

Side Steps

SS086

TOWING

SLIDE-AWAY ROLL UP HARD TONNEAU COVER

Electric with Remote Control - 6.5' Bed

ISLIDEAWAY073-E

Electric with Remote Control - 5.8' Bed

ISLIDEAWAY075-E

ATLAS ROOF RACK KITS

Platform G with Blade Fit Kit to Suit Slideaway Hard Tonneau Cover - 1390mm Length

IFRSLDAWAYPGK

Crossbar (x 2) and Fit Kit to Suit Slideaway Hard Tonneau Cover - 1650mm Width

IFRSLDAWAYC2K

• See Page 38-41 for more Atlas rack, crossbar and accessory options.

BREATHER KIT

Universal Twin Manifold Filtered Breather Kit

IDIFFBRE



4th Gen 2017 to 2022
5th Gen 2023+

SUSPENSION TO SUIT

Ford F-250 / F-350

Product Description

Part No.

Qty
Req

Please check vehicle date range (if shown) next to product description prior to ordering

SUSPENSION TO SUIT FORD F-250 / F-350 - 4TH GEN / 5TH GEN

LIFT AND LEVEL KIT

4th Gen Spacer Kit - To Suit OEM Shock Absorbers	3.5"Lift - Front	1"Lift - Rear	76-116-001	1
5th Gen Spacer Kit - To Suit OEM Shock Absorbers	3.5"Lift - Front	1"Lift - Rear	76-123-001	1

• Not for use on aftermarket shock absorbers.

LIFT AND LEVEL KIT CONTENTS

76-116-001/76-123-001 - OEM Shock Absorbers	Swaybar Spacer	Radius Arm Drop Bracket	Steel Coil Spacer Front
	Front Shock Extension	Cast Panhard Bracket	Cast Leaf Block
	U-Bolts	Steel Coil Spacer Rear	Front Bump Stop Extension

Ford Ranger Raptor

Next-Gen
2022+



Product Description

Part No.

Qty
Req

Please check vehicle date range (if shown) next to product description prior to ordering

ACCESSORIES TO SUIT FORD NEXT-GEN RANGER RAPTOR - 2022+

STEEL WINCH BULL BARS

Premium Bull Bar - 60.3mm Tube	BBP111
Raid Bull Bar - Includes Integrated Recovery Points	BBR111
Raid Bull Bar Kit*	BBR111K
Bull Bar Multi-Function Light Patch Loom	IBBPL110
Driving Light / Lightbar Patch Loom	IPLS111
Polyurethane Override Kit to Suit BBR111 Raid Bull Bar	TBA
Winch Control Extension Plug - 1500mm Length	WWB032
Winch Control Box Mount	WWBCP110

- Raid Bull Bars are compatible with IRONMAN 4X4 Lightbars and 20W or 40W Cube Lights, refer page 29-33 for available options
- Winch with Steel Cable and Roller Fairlead is not suitable - Use Winch with Synthetic Rope and Alloy Hawse only

TOWING

Rear Protection Towbar - Full Rear Bumper Replacement	RTB111
---	--------

SLIDE-AWAY ROLL UP HARD TONNEAU COVER

Electric with Remote Control	ISLIDEAWAY110-E
Manual Operation	ISLIDEAWAY110-M

- Requires tub strengthening bracket (TBA) when fitting Slide-Away Roll Up Hard Tonneau Cover

TUB STRENGTHENING BRACKET

To suit all Canopies and Slideaway Tonneau Cover - (Must be fitted)	TBA
---	-----

ATLAS ROOF RACK KITS

Platform A with Blade Fit Kit - 1530mm Length	IFR054PAK
Crossbar (x 2) and Fit Kit -1250mm Width	IFR054C2K
Platform S with Blade Fit Kit to Suit Slideaway Hard Tonneau Cover - 1390mm Length	IFRSLDAWAYPSK
Crossbar (x 2) and Fit Kit to Suit Slideaway Hard Tonneau Cover - 1650mm Width	IFRSLDAWAYC2K

- See Page 38-41 for more Atlas rack, crossbar and accessory options.

BREATHER KIT

Universal Twin Manifold Filtered Breather Kit	IDIFFBRE
---	----------

BULL BAR KIT* CONTENTS

Raid Bull Bar	Driving Light Loom	Cube Light Adaptor	Cube Lights (4)
---------------	--------------------	--------------------	-----------------

SUSPENSION TO SUIT FORD NEXT-GEN RANGER RAPTOR - 2022+

FRONT SUSPENSION

COIL SPRINGS

	Est. Lift	Additional Load		
Light	30mm	0 - 50kg	FOR018A	1
Heavy	30mm	80 - 120kg	FOR018B	1

REAR SUSPENSION

COIL SPRINGS

	Est. Lift	Additional Load		
Light	30mm	0 - 200kg	FOR008A	1



9/2018 to 2022

Ford Ranger Raptor

Product Description

Part No.

Qty
Req

Please check vehicle date range (if shown) next to product description prior to ordering

ACCESSORIES TO SUIT FORD RANGER RAPTOR - 9/2018-2022

STEEL WINCH BULL BARS

Apex Bull Bar - 60.3mm Tube

BBP069C

Apex Bull Bar Kit* - 60.3mm Tube

BBP069CK

• Apex Bull Bars are compatible with IRONMAN 4X4 Lightbars and 20W or 40W Cube Lights, refer page 29-33 for available options

TOWING

Rear Protection Towbar - Full Rear Bumper Replacement (60.3mm bar)

RTB069

Towbar Wiring Loom - Plug and Play*

ITBL054

*Must use ITBL054 for towbar installations on vehicles with autonomous braking and an Electronic Brake Controller is being installed.

BATTERY TRAY - DUAL CAB ONLY

Suits 10" Battery

IBTRAY054

CANOPY - PINNACLE SMOOTH FINISH FIBREGLASS (SIDE LIFT UP WINDOWS AND CENTRAL LOCKING REAR DOOR) - FITS 4X4 AND 4X2 DUAL CAB MODELS

Frozen White (WVZ)

CANFIBRE054-FW

Magnetic Grey (WVQ)

CANFIBRE054-M

Blue Lightning (SW3)

CANFIBRE054-BL

Shadow Black (UO)

CANFIBRE054-SB

Arctic White (SWU)

CANFIBRE054-AW

• Includes tub strengthening bracket (CANOPY010 BRACKET)

CANOPY - PINNACLE 2 FIBREGLASS (SIDE LIFT UP WINDOWS AND CENTRAL LOCKING REAR DOOR) - FITS 4X4 AND 4X2 DUAL CAB MODELS

Pre-Primed

ICANOPY054-P

Aluminium Metallic (SWR) (38P)

ICANOPY054-AM

Arctic White (SWU)

ICANOPY054-AW

Blue Lightning (SW3)

ICANOPY054-BL

Frozen White (WVZ)

ICANOPY054-FW

Meteor Grey (42A) (SWT)

ICANOPY054-G

Shadow Black (UO)

ICANOPY054-SB

* Pre-primed canopies, plus colour coding.

• Includes tub strengthening bracket (CANOPY010 BRACKET)

TUB STRENGTHENING BRACKET

To suit all Canopies - (Must be fitted)

CANOPY010 BRACKET

SLIDE-AWAY ROLL UP HARD TONNEAU COVER

Electric with Remote Control

ISLIDEAWAY054-E

Sports Bar Adaptor - Compatible with XLT, Raptor, Raptor X and FX4 sports bars

ISLIDEAWAY054-SBA

• Requires tub strengthening bracket (CANOPY BRACKET010) when fitting Slide-Away Roll Up Hard Tonneau Cover

ATLAS ROOF RACK KITS

Platform A with Blade Fit Kit - 1530mm Length

IFR054PAK

Crossbar (x 2) and Fit Kit -1250mm Width

IFR054C2K

Platform K with Leg Fit Kit to Suit Pinnacle 2 Canopy - 1390mm Length

IFRP2PKK

Crossbar (x 2) and Fit Kit to Suit Pinnacle 2 Canopy - 1250mm Width

IFRP2C125K

Platform G with Blade Fit Kit to Suit Slideaway Hard Tonneau Cover - 1390mm Length

IFRSLDAWAYPGK

Crossbar (x 2) and Fit Kit to Suit Slideaway Hard Tonneau Cover - 1650mm Width

IFRSLDAWAYC2K

• See Page 38-41 for more Atlas rack, crossbar and accessory options.

BREATHER KIT

Universal Twin Manifold Filtered Breather Kit

IDIFFBRE

BULL BAR KIT* CONTENTS

Apex Bull Bar

Bull Bar Patch Loom

Cube Lights (2)

Turn / Park Cube Lights (2)

SUSPENSION TO SUIT FORD RANGER RAPTOR - 9/2018-2022

FRONT SUSPENSION

COIL SPRINGS

Light

Est. Lift

30mm

Additional Load

0 - 50kg

FOR007A

1

REAR SUSPENSION

COIL SPRINGS

Light

Est. Lift

30mm

Additional Load

0 - 200kg

FOR008A

1



Product Description

Part No.

Qty
Req

Please check vehicle date range (if shown) next to product description prior to ordering

ACCESSORIES TO SUIT FORD NEXT-GEN RANGER - 2022+

STEEL WINCH BULL BARS

Commercial Bull Bar - Includes Integrated Recovery Points	BBC110	
Deluxe Bull Bar - Includes Integrated Recovery Points	BBCD110	
Premium Bull Bar - 60.3mm Tube	BBP110	
Apex Bull Bar - 60.3mm Tube	BBP110C	
Apex Bull Bar Kit* - 60.3mm Tube	BBP110CK	
Raid Bull Bar - Includes Integrated Recovery Points	BBR110	
Pre-Primed Raid Bull Bar - Includes Integrated Recovery Points	BBR110-P	
Raid Bull Bar Kit*	BBR110K	
Light Bracket to Suit BBR110 Raid Bull Bar	ILBCKR01	
Bull Bar Multi-Function Light Patch Loom	IBBPL110	
Driving Light / Lightbar Patch Loom (Platinum models with CAN Module)	IPLS115P	
Driving Light / Lightbar Patch Loom	IPLS110	
Polyurethane Override Kit to Suit BBR110 Raid Bull Bar	BBPART046	
Winch Control Extension Plug - 1500mm Length	WWB032	
Winch Control Box Mount	WWBCP110	
120W Bright Sabre Single Row Lightbar 812mm (32") Straight to suit Raid Bull Bar	ILBSR002BW	1
<ul style="list-style-type: none"> • Apex and Raid Bull Bars are compatible with IRONMAN 4X4 Lightbars and 20W or 40W Cube Lights, refer page 29-33 for available options • Winch with Steel Cable and Roller Fairlead is not suitable - Use Winch with Synthetic Rope and Alloy Hawse only 		

STEEL SIDE STEPS AND RAILS - FITS DUAL CAB MODELS ONLY

Side Steps - Dimple Step Design	SS110-D	
Side Rails	SS110 RAIL	
Side Steps and Rails - Dimple Step Design	SSR110-D	
Premium Side Steps - 60.3mm Tube - Dimple Step Design	SSP110-D	
Premium Side Rails - 60.3mm Tube	SSP110 RAIL	
Premium Side Steps and Rails - 60.3mm Tube - Dimple Step Design	SSRP110-D	

TOWING

Class 4 Towbar - Compatible with Factory Rear Bumper (Excludes Raptor)	TB110	
Rear Protection Towbar - Full Rear Bumper Replacement	RTB110	
Rear Protection Towbar (Matte Finish) - Full Rear Bumper Replacement	RTB110-M	
Rear Protection Bumper - Compatible with OEM Towbar	RPB110	
Towbar Wiring Loom - Plug and Play*	ITBL110	

*Must use ITBL110 on vehicles with AEB and an Electronic Brake Controller is being fitted.

SNORKEL

(Excludes Raptor)	ISNORKEL110	
-------------------	-------------	--

BATTERY TRAY - DUAL CAB ONLY

Suits 10" Battery	IBTRAY054	
-------------------	-----------	--

PREMIUM UNDERBODY PROTECTION

Engine Bay and Transmission	UBP110	
-----------------------------	--------	--



Next-Gen
2022+

Ford Ranger

Product Description

Part No.

Qty
Req

Please check vehicle date range (if shown) next to product description prior to ordering

CANOPY - PINNACLE 2 FIBREGLASS (SIDE LIFT UP WINDOWS AND CENTRAL LOCKING REAR DOOR) - FITS 4X4 AND 4X2 DUAL CAB MODELS

Pre-Primed	ICANOPY110-P
Arctic White (SWU)	ICANOPY110-AW
Meteor Grey (42A) (SWT)	ICANOPY110-G
Shadow Black (UO)	ICANOPY110-SB

* Pre-primed canopies, plus colour coding.

- Requires tub strengthening bracket (ICANOPYBRACKET110) when fitting Pinnacle 2 Canopy

TUB STRENGTHENING BRACKET

To suit all Canopies and Slideaway Tonneau Cover - (Must be fitted)	ICANOPYBRACKET110
---	-------------------

SLIDE-AWAY ROLL UP HARD TONNEAU COVER

Electric with Remote Control - Compatible with all models (Excludes Wildtrak)	ISLIDEAWAY110-E
Gen2 Electric with Remote Control - Compatible with all models (Excludes Wildtrak)	ISLIDEAWAY110-EG2
Manual Operation - Compatible with all models (Excludes Wildtrak)	ISLIDEAWAY110-M
Sports Bar Adaptor - Compatible with all models (Excludes Wildtrak)	ISLIDEAWAY110-SBA

• Not suitable for Wildtrak models

- Requires tub strengthening bracket (ICANOPYBRACKET110) when fitting Slide-Away Roll Up Hard Tonneau Cover

ATLAS DUAL CAB ROOF RACK KITS

Platform A with Blade Fit Kit (Excludes Wildtrak) - 1530mm Length	IFR054PAK
Platform A with Blade Fit Kit (Suits Wildtrak Dual Cab Only) - 1530mm Length	IFR110WTPAK
Crossbar (x 2) and Fit Kit (Excludes Wildtrak) -1250mm Width	IFR054C2K
Crossbar (x 2) and Fit Kit (Suits Wildtrak Dual Cab Only) -1375mm Width	IFRK094
Platform K with Leg Fit Kit to Suit Pinnacle 2 Canopy - 1390mm Length	IFRP2PKK
Crossbar (x 2) and Fit Kit to Suit Pinnacle 2 Canopy - 1250mm Width	IFRP2C125K
Platform S with Blade Fit Kit to Suit Slideaway Hard Tonneau Cover - 1390mm Length	IFRSLDAWAYPSK
Crossbar (x 2) and Fit Kit to Suit Slideaway Hard Tonneau Cover - 1650mm Width	IFRSLDAWAYC2K

• See Page 38-41 for more Atlas rack, crossbar and accessory options.

FENDER FLARE KITS

Matte Black Smooth Finish 6" (Suits Non-Blindspot Sensor Models Only)	IFF60110XL
Matte Black Smooth Finish 6" (Suits Models with Blindspot Sensors in Flare)	IFF60110WT
Fender Flare Extension Kit to suit BBC/BBCD Bars	IFFEXT110
Fender Flare Extension Kit to suit Raid Bull Bars	IFFEXT110R

• Some flares may not be compatible if side rails/brush bars are fitted. Some flares may require slight trimming if snorkel is installed.

FLOOR MATS

Moulded Fit TPO Floor Mats - Front and Rear Set	FLMT110-RHD-2ROW
---	------------------

SEAT COVER

Airbag Compatible Fabric Seat Covers - Front	SC110-CC-1R-A
Airbag Compatible Fabric Seat Covers - Rear	SC110-CC-2R-A

SUN SHADE

Vehicle Specific Sun Screen Shade - Front	SUNSHD110
---	-----------

BREATHER KIT

Universal Twin Manifold Filtered Breather Kit	IDIFFBRE
---	----------

BULL BAR KIT* CONTENTS

Apex Bull Bar	Bull Bar Patch Loom	Cube Lights (2)	Turn / Park Cube Lights (2)	
Raid Bull Bar	Driving Light Loom	Cube Light Adaptor	Lightbar	Cube Lights (4)





Product Description

Part No.

Qty
Req

Please check vehicle date range (if shown) next to product description prior to ordering

SUSPENSION TO SUIT FORD NEXT-GEN RANGER - 2022+

FRONT SUSPENSION

SHOCK ABSORBER

Nitro Gas Strut - Performance			12885GR	2
Foam Cell Strut - Performance			24885FE	2
Foam Cell Pro Strut - Performance			45885FE	2

COIL SPRINGS

	Est. Lift	Additional Load		
Light - No Bar	40mm	0 - 50kg	FOR010A	1
Medium - Bar Only	50mm	0 - 80kg	FOR010B	1
Heavy - Bar / Winch	50mm	80 - 120kg	FOR010C	1

• For V6 models, to achieve stated ride height add HILFR05F or adjust Pro seat height to 198mm

STRUT MOUNTS

Steel Strut Top			ISST110	2
-----------------	--	--	---------	---

TRIM PACKERS

5mm Strut Trim Packer	Nitro Gas / Foam Cell		HILFR05/HILFR05F	2
10mm Strut Trim Packer	Nitro Gas / Foam Cell		HILFR10/HILFR10F	2
15mm Strut Trim Packer	Nitro Gas / Foam Cell		HILFR15/HILFR15F	2

• ONLY Compatible with IRONMAN 4X4 Struts (except Pro), lift height subject to 2:1 motion ratio. Unnecessary fitment may lift vehicle too high

CONTROL ARMS

Pro-Forge Upper Control Arms			UCA110FA-B	1
------------------------------	--	--	------------	---

REAR SUSPENSION

SHOCK ABSORBER

Nitro Gas - Comfort			12886GRC	2
Nitro Gas - Performance			12886GR	2
Foam Cell - Comfort			24886FEC	2
Foam Cell - Performance			24886FE	2
Foam Cell Pro - Comfort			45886FEC	2
Foam Cell Pro - Performance			45886FE	2
Foam Cell Pro - Professional			45886FEP	2

LEAF SPRINGS

	Est. Lift	Additional Load		
Light	40mm	0 - 200kg	FOR012A	2
Medium	45mm	0 - 300kg	FOR012B	2
Heavy	45mm	300kg - 600kg	FOR012C	2
Extra Heavy	45mm	600kg - GVM	FOR012D	2

• Possible driveline vibration may occur due to increased ride height, use 1223K to reduce vibration to satisfactory level

U-BOLTS

U-Bolt Kit			438UBK	2
------------	--	--	--------	---

POLYURETHANE SPRING BUSHES

Bush Kit			1193UK	1
----------	--	--	--------	---

SPACER KITS

Centre Bearing Spacer Kit			1223K	1
---------------------------	--	--	-------	---

GREASABLE SHACKLES AND PINS

Greasable Shackle			1147	2
Non-Greasable Pin			387-1	2

HELPER SPRINGS

Extra Leaf (Suits IRONMAN 4X4 springs only)			FOR012XL3	2
Centre Bolt and Liner Kit to suit Extra Leaf FOR012XL3			FOR012XLK	1
Add-A-Leaf (Suits OEM springs only)			ISL6010-2	1



Next-Gen
2022+

SUSPENSION TO SUIT

Ford Ranger

Product Description

Part No.

Qty
Req

Please check vehicle date range (if shown) next to product description prior to ordering

SUSPENSION KIT - Specify Front Coil Springs When Ordering

Light - Nitro Gas	FOR010AKG
Light - Foam Cell	FOR010AKF
Light - Foam Cell Pro	FOR010AKP
Medium - Nitro Gas	FOR010BKG
Medium - Foam Cell	FOR010BKF
Medium - Foam Cell Pro	FOR010BKP
Heavy - Nitro Gas	FOR010CKG
Heavy - Foam Cell	FOR010CKF
Heavy - Foam Cell Pro	FOR010CKP
Extra Heavy - Nitro Gas	FOR010DKG
Extra Heavy - Foam Cell	FOR010DKF
Extra Heavy - Foam Cell Pro	FOR010DKP

• Possible driveline vibration may occur due to increased ride height, use 1223K to reduce vibration to satisfactory level

SUSPENSION KIT CONTENTS

Shock Absorbers	Coil Springs	U-Bolts	Centre Bearing Spacer Kit
Strut Shock Absorbers	Leaf Springs	Polyurethane Spring Bushes	

OPTIONS AVAILABLE FOR THIS VEHICLE - SEE PAGE 382



Ford Ranger

PX Mk III
8/2018 to 2022



Product Description

Part No.

Qty
Req

Please check vehicle date range (if shown) next to product description prior to ordering

ACCESSORIES TO SUIT FORD PXIII RANGER - 8/2018-2022

STEEL WINCH BULL BARS

Commercial Bull Bar - With parking sensor provisions Without Tech Pack	BBC055	
Deluxe Bull Bar - With parking sensor provisions Without Tech Pack	BBCD055	
Deluxe Bull Bar - With or Without Tech Pack	BBCD066	
Raid Bull Bar - Includes Integrated Recovery Points	BBR066	
Raid Bull Bar Kit*	BBR066K	
Proguard No Loop Bull Bar - With or Without Tech Pack	BBT066-NL	
Proguard Single Loop Kit	BB066-SL	
Proguard Triple Loop Kit	BB066-TL	
Bull Bar Multi-Function Light Patch Loom	IBBPL066	
Driving Light / Lightbar Patch Loom	IPLS066	
Driving Light / Lightbar Patch Loom - <i>While Stocks Last</i>	IPL066	
Parking Sensor Extension Loom	IBBPSL066	
Parking Sensor Holder Kit	PSH066E	
120W Bright Sabre Single Row Lightbar 812mm (32") Straight to suit Raid Bull Bar	ILBSR002BW	1

- Raid Bull Bars are compatible with IRONMAN 4X4 Lightbars and 20W Cube Lights, refer page 29-33 for available options
- Winch with Steel Cable and Roller Fairlead is not suitable for use with BBCD066, BBT066 or BBR066 - Use Winch with Synthetic Rope and Alloy Hawse only
- Can also be fitted to both 2WD and 4WD models.

STEEL SIDE STEPS AND RAILS - FITS DUAL CAB MODELS ONLY

Side Steps	SS054	
Side Rails	SS054 RAIL	
Side Steps and Rails	SSR054	

TOWING

Class 4 Towbar - Compatible with Factory Rear Bumper (Not Wildtrak)	TB066	
Rear Protection Towbar - Full Rear Bumper Replacement	RTB066	
Rear Protection Towbar Plates (Pair)	RTBPLATE001	
Towbar Wiring Loom - Plug and Play*	ITBL054	

*Must use ITBL054 for towbar installations on vehicles with autonomous braking and an Electronic Brake Controller is being installed.

RECOVERY POINTS - IRONMAN 4X4 BULL BAR ONLY

Recovery Points - 5000kg Rating (Pair)	IRP054	
--	--------	--

SNORKEL

XL - (with side indicator)	ISNORKELO34	
XLT - (with indicator on side mirror)	ISNORKELO34XLT	

BATTERY TRAY - DUAL CAB ONLY

Suits 10" Battery	IBTRAY054	
-------------------	-----------	--

LONG RANGE FUEL TANK

140L* - Suitable for 3.2L Diesel Dual Cab, Extra Cab and Single Cab	TANK007	
---	---------	--

*Usable volume may differ to the stated tank capacity

PREMIUM UNDERBODY PROTECTION

Engine Bay and Transmission - DPF Models (Retains factory transmission plate)	UBP055	
---	--------	--



PX Mk III
8/2018 to 2022

Ford Ranger

Product Description

Part No.

Qty Req

Please check vehicle date range (if shown) next to product description prior to ordering

CANOPY - ABS PLASTIC (SIDE LIFT UP WINDOWS AND CENTRAL LOCKING REAR DOOR) - FITS 4X4 AND 4X2 DUAL CAB MODELS

Pre-Primed	CANOPY010-P †
Winning Blue (WVW)	CANOPY010-WB
Magnetic Grey (WVQ)	CANOPY010-M †
ABS Canopy Rack Feet	IRRFEETABS14

- Includes tub strengthening bracket (CANOPY010 BRACKET)
- Colour code and build date must be confirmed for Aluminium Metallic Canopies (CANOPY010-AM)
- See Page 38 for 1.4m Roof Rack options and pricing.

† With central locking

CANOPY - PINNACLE SMOOTH FINISH FIBREGLASS (SIDE LIFT UP WINDOWS AND CENTRAL LOCKING REAR DOOR) - FITS 4X4 AND 4X2 DUAL CAB MODELS

Frozen White (WVZ)	CANFIBRE054-FW
Magnetic Grey (WVQ)	CANFIBRE054-M
Blue Lightning (SW3)	CANFIBRE054-BL
Shadow Black (UO)	CANFIBRE054-SB
Arctic White (SWU)	CANFIBRE054-AW

- Includes tub strengthening bracket (CANOPY010 BRACKET)

CANOPY - PINNACLE 2 FIBREGLASS (SIDE LIFT UP WINDOWS AND CENTRAL LOCKING REAR DOOR) - FITS 4X4 AND 4X2 DUAL CAB MODELS

Pre-Primed	ICANOPY054-P
Aluminium Metallic (SWR) (38P)	ICANOPY054-AM
Arctic White (SWU)	ICANOPY054-AW
Blue Lightning (SW3)	ICANOPY054-BL
Frozen White (WVZ)	ICANOPY054-FW
Meteor Grey (42A) (SWT)	ICANOPY054-G
Shadow Black (UO)	ICANOPY054-SB

* Pre-primed canopies, plus colour coding.

TUB STRENGTHENING BRACKET

To suit all Canopies - (Must be fitted)	CANOPY010 BRACKET
---	-------------------

SLIDE-AWAY ROLL UP HARD TONNEAU COVER

Electric with Remote Control	ISLIDEAWAY054-E
Sports Bar Adaptor - Compatible with XLT, Raptor, Raptor X and FX4 sports bars	ISLIDEAWAY054-SBA

- Not suitable for Wildtrak models

ATLAS DUAL CAB ROOF RACK KITS

Platform A with Blade Fit Kit (Suits PXIII Dual Cab Only) - 1530mm Length	IFR054PAK
Platform A with Blade Fit Kit (Suits Wildtrak Dual Cab Only) - 1530mm Length	IFR054WTPAK
Crossbar (x 2) and Fit Kit (Excludes Wildtrak) - 1250mm Width	IFR054C2K
Platform K with Leg Fit Kit to Suit Pinnacle 2 Canopy - 1390mm Length	IFRP2PKK
Crossbar (x 2) and Fit Kit to Suit Pinnacle 2 Canopy - 1250mm Width	IFRP2C125K
Platform G with Blade Fit Kit to Suit Slideaway Hard Tonneau Cover - 1390mm Length	IFRSLDAWAYPGK
Crossbar (x 2) and Fit Kit to Suit Slideaway Hard Tonneau Cover - 1650mm Width	IFRSLDAWAYC2K

- See Page 38-41 for more Atlas rack, crossbar and accessory options.

FENDER FLARE KITS

Matte Black Smooth Finish 6" (Suits XLS / XLT Dual Cab Only)	IFF6054XLT
Matte Black Smooth Finish 6" (Suits Wildtrak Dual Cab Only)	IFF6066WT
Fender Flare Extension Kit to suit Raid Bull Bars	IFFEXT066

- Some flares may not be compatible if side rails/brush bars are fitted. Some flares may require slight trimming if snorkel is installed.

FLOOR MATS

Moulded Fit TPO Floor Mats - Front and Rear Set	FLMT054-RHD-2ROW
---	------------------

SEAT COVER

Airbag Compatible Fabric Seat Covers - Front	SC066-CC-1R-A
Airbag Compatible Fabric Seat Covers - Rear	SC066-CC-2R-A

SUN SHADE

Vehicle Specific Sun Screen Shade - Front	SUNSHD054
---	-----------

BREATHER KIT

Universal Twin Manifold Filtered Breather Kit	IDIFFBRE
---	----------

BULL BAR KIT* CONTENTS

Raid Bull Bar	Driving Light Loom	Cube Light Adaptor	Lightbar	Cube Lights (4)
---------------	--------------------	--------------------	----------	-----------------



Ford Ranger

PX Mk III
Not USA Model
7/2018 to 2022



Product Description

Part No.

Qty
Req

Please check vehicle date range (if shown) next to product description prior to ordering

SUSPENSION TO SUIT FORD PXIII RANGER - 7/2018-2022

FRONT SUSPENSION

SHOCK ABSORBER

Nitro Gas Strut - Performance			12827GR	2
Foam Cell Strut - Performance			24827FE	2
Foam Cell Pro Strut - Performance			45827FE	2

COIL SPRINGS

	Est. Lift	Additional Load		
Standard	0mm	0 - 50kg	FOR005S	1
Light	35mm	0 - 50kg	FOR005A	1
Medium	40mm	0 - 50kg	FOR005B	1
Heavy	45mm	50 - 110kg	FOR005C	1

STRUT MOUNTS

Steel Strut Top			ISST055	2
Bump Stop Base Holder			PBC055	2

TRIM PACKERS

5mm Strut Trim Packer		Foam Cell	HILFR05F	2
10mm Strut Trim Packer		Foam Cell	HILFR10F	2
15mm Strut Trim Packer		Foam Cell	HILFR15F	2

• ONLY Compatible with IRONMAN 4X4 Struts (except Pro), lift height subject to 2:1 motion ratio. Unnecessary fitment may lift vehicle too high

SWAY BAR LINK

Adjustable Sway Bar Link			1214K	2
--------------------------	--	--	--------------	---

CONTROL ARMS

Pro-Forge Upper Control Arms			UCA054FA-B	1
------------------------------	--	--	-------------------	---

REAR SUSPENSION

SHOCK ABSORBER

Nitro Gas - Comfort			12095GRC	2
Nitro Gas - Performance			12095GR	2
Foam Cell - Comfort			24095FEC	2
Foam Cell - Performance			24095FE	2
Foam Cell - Professional			24095FEP	2
Foam Cell Pro - Comfort			45095FEC	2
Foam Cell Pro - Performance			45095FE	2
Foam Cell Pro - Professional			45095FEP	2

LEAF SPRINGS

	Est. Lift	Additional Load		
Light	40mm	0 - 200kg	FOR002A	2
Medium	45mm	0 - 300kg	FOR002B	2
Heavy	45mm	300kg - GVM	FOR002C	2

• Possible driveline vibration may occur due to increased ride height, use 1194K to reduce vibration to satisfactory level

U-BOLTS

U-Bolt Kit			417UBK	2
------------	--	--	---------------	---

POLYURETHANE SPRING BUSHES

Bush Kit			1193UK	1
----------	--	--	---------------	---

DRIVELINE SPACERS

Centre Bearing Spacer Kit			1194K	1
---------------------------	--	--	--------------	---

GREASABLE SHACKLES AND PINS

Greasable Shackle			1147	2
Non-Greasable Pin			387-1	2

HELPER SPRINGS

Load Plus Helper Springs			LP3	1
Add-A-Leaf			ISL6010	1



PX Mk III
Not USA Model
7/2018 to 2022

SUSPENSION TO SUIT

Ford Ranger

Product Description

Part No.

Qty Req

Please check vehicle date range (if shown) next to product description prior to ordering

SUSPENSION KIT - Specify Front Coil Springs When Ordering

Light - Nitro Gas	FOR005AKG
Light - Foam Cell	FOR005AKF
Light - Foam Cell Pro	FOR005AKP
Medium - Nitro Gas	FOR005BKG
Medium - Foam Cell	FOR005BKF
Medium - Foam Cell Pro	FOR005BKP
Heavy - Nitro Gas	FOR005CKG
Heavy - Foam Cell	FOR005CKF
Heavy - Foam Cell Pro	FOR005CKP

• Possible driveline vibration may occur due to increased ride height, use 1194K to reduce vibration to satisfactory level

SUSPENSION KIT CONTENTS

Shock Absorbers	Coil Springs	U-Bolts	Centre Bearing Spacer Kit
Strut Shock Absorbers	Leaf Springs	Polyurethane Spring Bushes	

OPTIONS AVAILABLE FOR THIS VEHICLE - SEE PAGE 383



Ford Ranger

PX Mk II
2015 to 7/2018



Product Description

Part No.

Qty
Req

Please check vehicle date range (if shown) next to product description prior to ordering

ACCESSORIES TO SUIT FORD PXII RANGER - 2015-7/2018

STEEL WINCH BULL BARS

Commercial Bull Bar - With parking sensor provisions Without Tech Pack	BBC055
Deluxe Bull Bar - With parking sensor provisions Without Tech Pack	BBBD055
Deluxe Bull Bar - With or Without Tech Pack	BBBD054
Proguard No Loop Bull Bar - With or Without Tech Pack	BBT054-NL
Proguard Single Loop Kit	BB054-SL
Proguard Triple Loop Kit	BB054-TL
Bull Bar Multi-Function Light Patch Loom	IBBPL066
Driving Light / Lightbar Patch Loom	IPLS066
Driving Light / Lightbar Patch Loom - <i>While Stocks Last</i>	IPL066
Parking Sensor Holder Kit	PSH066E

• Can also be fitted to both 2WD and 4WD models.

STEEL SIDE STEPS AND RAILS - FITS DUAL AND SINGLE CAB MODELS ONLY

Side Steps	SS054
Side Rails	SS054 RAIL
Side Steps and Rails	SSR054

TOWING

Class 4 Towbar - Compatible with Factory Rear Bumper (Not Wildtrak)	TB066
Rear Protection Towbar - Full Rear Bumper Replacement	RTB066
Rear Protection Towbar Plates (Pair)	RTBPLATE001
Towbar Wiring Loom - Plug and Play	ITBL054
Towbar Wiring Loom - Plug and Play 12 Pin Flat	ITBL054-12P

RECOVERY POINTS - IRONMAN 4X4 BULL BAR ONLY

Recovery Points - 5000kg Rating (Pair)	IRP054
--	--------

SNORKEL

XL - (with side indicator)	ISNORKELO34
XLT - (with indicator on side mirror)	ISNORKELO34XLT

BATTERY TRAY- DUAL CAB ONLY

Suits 10" Battery	IBTRAY054
-------------------	-----------

LONG RANGE FUEL TANK

140L* - Suitable for 3.2L Diesel Dual Cab, Extra Cab and Single Cab	TANK007
---	---------

* Usable volume may differ to the stated tank capacity

PREMIUM UNDERBODY PROTECTION

Engine Bay and Transmission - Non DPF Models	UBP054
Engine Bay and Transmission - DPF Models (Retains factory transmission plate)	UBP055



PX Mk II
2015 to 7/2018

Ford Ranger

Product Description

Part No.

Qty Req

Please check vehicle date range (if shown) next to product description prior to ordering

CANOPY - ABS PLASTIC (SIDE LIFT UP WINDOWS AND CENTRAL LOCKING REAR DOOR) - FITS 4X4 AND 4X2 DUAL CAB MODELS

Pre-Primed	CANOPY010-P†
Winning Blue (WVW)	CANOPY010-WB
Magnetic Grey (WVQ)	CANOPY010-M†
ABS Canopy Rack Feet	IRRFEETABS14

- Includes tub strengthening bracket (CANOPY010 BRACKET)
- Colour code and build date must be confirmed for Aluminium Metallic Canopies (CANOPY010-AM)
- See Page 38 for 1.4m Roof Rack options and pricing.

† With central locking

CANOPY - PINNACLE SMOOTH FINISH FIBREGLASS (SIDE LIFT UP WINDOWS AND CENTRAL LOCKING REAR DOOR) - FITS 4X4 AND 4X2 DUAL CAB MODELS

Frozen White (WVZ)	CANFIBRE054-FW
Magnetic Grey (WVQ)	CANFIBRE054-M
Blue Lightning (SW3)	CANFIBRE054-BL
Shadow Black (UO)	CANFIBRE054-SB
Arctic White (SWU)	CANFIBRE054-AW

- Includes tub strengthening bracket (CANOPY010 BRACKET)

CANOPY - PINNACLE 2 FIBREGLASS (SIDE LIFT UP WINDOWS AND CENTRAL LOCKING REAR DOOR) - FITS 4X4 AND 4X2 DUAL CAB MODELS

Pre-Primed	ICANOPY054-P
Aluminium Metallic (SWR) (38P)	ICANOPY054-AM
Arctic White (SWU)	ICANOPY054-AW
Blue Lightning (SW3)	ICANOPY054-BL
Frozen White (WVZ)	ICANOPY054-FW
Meteor Grey (42A) (SWT)	ICANOPY054-G
Shadow Black (UO)	ICANOPY054-SB

* Pre-primed canopies, plus colour coding.

TUB STRENGTHENING BRACKET

To suit all Canopies - (Must be fitted)	CANOPY010 BRACKET
---	-------------------

SLIDE-AWAY ROLL UP HARD TONNEAU COVER

Electric with Remote Control	ISLIDEAWAY054-E
Manual Operation - Compatible with all models (Excludes Wildtrak)	ISLIDEAWAY054-M
Sports Bar Adaptor - Compatible with XLT, Raptor, Raptor X and FX4 sports bars	ISLIDEAWAY054-SBA

• Not suitable for Wildtrak models

ATLAS DUAL CAB ROOF RACK KITS

Platform A with Blade Fit Kit (Suits PXII Dual Cab Only) - 1530mm Length	IFR054PAK
Platform A with Blade Fit Kit (Suits Wildtrak Dual Cab Only) - 1530mm Length	IFR054WTPAK
Crossbar (x 2) and Fit Kit (Excludes Wildtrak) - 1250mm Width	IFR054C2K
Platform K with Leg Fit Kit to Suit Pinnacle 2 Canopy - 1390mm Length	IFRP2PKK
Crossbar (x 2) and Fit Kit to Suit Pinnacle 2 Canopy - 1250mm Width	IFRP2C125K
Platform G with Blade Fit Kit to Suit Slideaway Hard Tonneau Cover - 1390mm Length	IFRSLDAWAYPGK
Crossbar (x 2) and Fit Kit to Suit Slideaway Hard Tonneau Cover - 1650mm Width	IFRSLDAWAYC2K

- See Page 38-41 for more Atlas rack, crossbar and accessory options.

FENDER FLARE KITS

Matte Black Smooth Finish 6" (Suits PXII and Wildtrak Dual Cab)	IFF6054
---	---------

- Some flares may not be compatible if side rails/brush bars are fitted. Some flares may require slight trimming if snorkel is installed.

SEAT COVER

Airbag Compatible Fabric Seat Covers - Front	SC066-CC-1R-A
Airbag Compatible Fabric Seat Covers - Rear	SC066-CC-2R-A

BREATHER KIT

Universal Twin Manifold Filtered Breather Kit	IDIFFBRE
---	----------



Ford Ranger

PX Mk II
Not USA Model
2015 to 6/2018



Product Description

Part No.

Qty
Req

Please check vehicle date range (if shown) next to product description prior to ordering

SUSPENSION TO SUIT FORD PXII RANGER - 2015-6/2018

FRONT SUSPENSION

SHOCK ABSORBER

Nitro Gas Strut - Performance			12727GR	2
Foam Cell Strut - Performance			24727FE	2
Foam Cell Pro Strut - Performance			45727FE	2

COIL SPRINGS

	Est. Lift	Additional Load		
Standard	0mm	0 - 50kg	FOR001S	1
Light	35mm	0 - 50kg	FOR001A	1
Medium	40mm	0 - 50kg	FOR001B	1
Heavy	45mm	50 - 110kg	FOR001C	1

STRUT MOUNTS

Steel Strut Top			ISST014	2
-----------------	--	--	----------------	---

TRIM PACKERS

5mm Strut Trim Packer	Nitro Gas / Foam Cell	HILFR05/HILFR05F	2
10mm Strut Trim Packer	Nitro Gas / Foam Cell	HILFR10/HILFR10F	2
15mm Strut Trim Packer	Nitro Gas / Foam Cell	HILFR15/HILFR15F	2

• ONLY Compatible with IRONMAN 4X4 Struts (except Pro), lift height subject to 2:1 motion ratio. Unnecessary fitment may lift vehicle too high

CONTROL ARMS

Pro-Forge Upper Control Arms			UCA054FA-B	1
------------------------------	--	--	-------------------	---

SPACER KIT

Sway Bar Relocation Kit			1203K	1
-------------------------	--	--	--------------	---

REAR SUSPENSION

SHOCK ABSORBER

Nitro Gas - Comfort			12095GRC	2
Nitro Gas - Performance			12095GR	2
Foam Cell - Comfort			24095FEC	2
Foam Cell - Performance			24095FE	2
Foam Cell - Professional			24095FEP	2
Foam Cell Pro - Comfort			45095FEC	2
Foam Cell Pro - Performance			45095FE	2
Foam Cell Pro - Professional			45095FEP	2

LEAF SPRINGS

	Est. Lift	Additional Load		
Light	40mm	0 - 200kg	FOR002A	2
Medium	45mm	0 - 300kg	FOR002B	2
Heavy	45mm	300kg - GVM	FOR002C	2

• Possible driveline vibration may occur due to increased ride height, use 1194K to reduce vibration to satisfactory level

U-BOLTS

U-Bolt Kit			417UBK	2
------------	--	--	---------------	---

POLYURETHANE SPRING BUSHES

Bush Kit			1193UK	1
----------	--	--	---------------	---

DRIVELINE SPACERS

Centre Bearing Spacer Kit			1194K	1
---------------------------	--	--	--------------	---

GREASABLE SHACKLES AND PINS

Greasable Shackle			1147	2
Non-Greasable Pin			387-1	2

HELPER SPRINGS

Load Plus Helper Springs			LP3	1
Add-A-Leaf			ISL6010	1



PX Mk II
Not USA Model
2015 to 6/2018

SUSPENSION TO SUIT

Ford Ranger

Product Description

Part No.

Qty Req

Please check vehicle date range (if shown) next to product description prior to ordering

SUSPENSION KIT - Specify Front Coil Springs When Ordering

Light - Nitro Gas	FOR001AKG
Light - Foam Cell	FOR001AKF
Light - Foam Cell Pro	FOR001AKP
Medium - Nitro Gas	FOR001BKG
Medium - Foam Cell	FOR001BKF
Medium - Foam Cell Pro	FOR001BKP
Heavy - Nitro Gas	FOR001CKG
Heavy - Foam Cell	FOR001CKF
Heavy - Foam Cell Pro	FOR001CKP

• Possible driveline vibration may occur due to increased ride height, use 1194K to reduce vibration to satisfactory level

SUSPENSION KIT CONTENTS

Shock Absorbers	Coil Springs	U-Bolts	Centre Bearing Spacer Kit
Strut Shock Absorbers	Leaf Springs	Polyurethane Spring Bushes	

OPTIONS AVAILABLE FOR THIS VEHICLE - SEE PAGE 384



Ford Ranger

 PX
 7/2011 to 2015


Product Description

Part No.

Qty
Req

Please check vehicle date range (if shown) next to product description prior to ordering

ACCESSORIES TO SUIT FORD PX RANGER - 7/2011-2015

STEEL WINCH BULL BARS

Commercial Bull Bar	BBC038
Deluxe Bull Bar	BBCD038
Proguard No Loop Bull Bar	BBT038-NL
Proguard Single Loop Kit	BB038-SL
Proguard Triple Loop Kit	BB038-TL
Bull Bar Multi-Function Light Patch Loom	IBBPL066
Driving Light / Lightbar Patch Loom	IPLS066
Driving Light / Lightbar Patch Loom - <i>While Stocks Last</i>	IPL066

• Can also be fitted to both 2WD and 4WD models.

STEEL SIDE STEPS AND RAILS - FITS DUAL AND SINGLE CAB MODELS ONLY

Side Steps	SS054
Side Rails	SS054 RAIL
Side Steps and Rails	SSR054

TOWING

Class 4 Towbar - Compatible with Factory Rear Bumper (Not Wildtrak)	TB066
Rear Protection Towbar - Full Rear Bumper Replacement	RTB066
Rear Protection Towbar Plates (Pair)	RTBPLATE001
Towbar Wiring Loom - Plug and Play (PX 7/11 to 4/14 only)	ITBL039
Towbar Wiring Loom - Plug and Play (PX 4/14 to 7/15 only)	ITBL038

RECOVERY POINTS - IRONMAN 4X4 BULL BAR ONLY

Recovery Points - 5000kg Rating (Pair)	IRP054
--	--------

SNORKEL

2.2 / 3.2L Diesel (Fits XL with side indicator)	ISNORKELO34
2.2 / 3.2L Diesel (Fits XLT with indicator on side mirror)	ISNORKELO34XLT

BATTERY TRAYS

Suits 10" Battery	IBTRAY054
-------------------	-----------

LONG RANGE FUEL TANK

140L* - Suitable for 3.2L Diesel Dual Cab, Extra Cab and Single Cab	TANK007
---	---------

* Usable volume may differ to the stated tank capacity

PREMIUM UNDERBODY PROTECTION

Engine Bay and Transmission - Not compatible with models fitted with DPF	UBP054
--	--------



PX
7/2011 to 2015

Ford Ranger

Product Description

Part No.

Qty Req

Please check vehicle date range (if shown) next to product description prior to ordering

CANOPY - ABS PLASTIC (SIDE LIFT UP WINDOWS AND CENTRAL LOCKING REAR DOOR) - FITS 4X4 AND 4X2 DUAL CAB MODELS

Pre-Primed	CANOPY010-P †
Winning Blue (WVW)	CANOPY010-WB
Magnetic Grey (WVQ)	CANOPY010-M †
ABS Canopy Rack Feet	IRRFEETABS14

- Includes tub strengthening bracket (CANOPY010 BRACKET)
- Colour code and build date must be confirmed for Aluminium Metallic Canopies (CANOPY010-AM)
- See Page 38 for 1.4m Roof Rack options and pricing.

† With central locking

CANOPY - PINNACLE SMOOTH FINISH FIBREGLASS (SIDE LIFT UP WINDOWS AND CENTRAL LOCKING REAR DOOR) - FITS 4X4 AND 4X2 DUAL CAB MODELS

Frozen White (WVZ)	CANFIBRE054-FW
Magnetic Grey (WVQ)	CANFIBRE054-M
Blue Lightning (SW3)	CANFIBRE054-BL
Shadow Black (UP)	CANFIBRE054-SB
Arctic White (SWU)	CANFIBRE054-AW

- Includes tub strengthening bracket (CANOPY010 BRACKET)

CANOPY - PINNACLE 2 FIBREGLASS (SIDE LIFT UP WINDOWS AND CENTRAL LOCKING REAR DOOR) - FITS 4X4 AND 4X2 DUAL CAB MODELS

Pre-Primed	ICANOPY054-P
Aluminium Metallic (SWR) (38P)	ICANOPY054-AM
Arctic White (SWU)	ICANOPY054-AW
Blue Lightning (SW3)	ICANOPY054-BL
Frozen White (WVZ)	ICANOPY054-FW
Meteor Grey (42A) (SWT)	ICANOPY054-G
Shadow Black (UO)	ICANOPY054-SB

* Pre-primed canopies, plus colour coding.

TUB STRENGTHENING BRACKET

To suit all Canopies - (Must be fitted)

CANOPY010 BRACKET

SLIDE-AWAY ROLL UP HARD TONNEAU COVER

Electric with Remote Control	ISLIDEAWAY054-E
Manual Operation - Compatible with all models (Excludes Wildtrak)	ISLIDEAWAY054-M
Sports Bar Adaptor - Compatible with XLT, Raptor, Raptor X and FX4 sports bars	ISLIDEAWAY054-SBA

• Not suitable for Wildtrak models

ATLAS DUAL CAB ROOF RACK KITS

Platform A with Blade Fit Kit (Suits PX Dual Cab Only) - 1530mm Length	IFR054PAK
Platform A with Blade Fit Kit (Suits Wildtrak Dual Cab Only) - 1530mm Length	IFR054WTPAK
Crossbar (x 2) and Fit Kit (Excludes Wildtrak) - 1250mm Width	IFR054C2K
Platform K with Leg Fit Kit to Suit Pinnacle 2 Canopy - 1390mm Length	IFRP2PKK
Crossbar (x 2) and Fit Kit to Suit Pinnacle 2 Canopy - 1250mm Width	IFRP2C125K
Platform G with Blade Fit Kit to Suit Slideaway Hard Tonneau Cover - 1390mm Length	IFRSLDAWAYPGK
Crossbar (x 2) and Fit Kit to Suit Slideaway Hard Tonneau Cover - 1650mm Width	IFRSLDAWAYC2K

• See Page 38-41 for more Atlas rack, crossbar and accessory options.

FENDER FLARE KITS

Matte Black Smooth Finish 6" (Suits PX and Wildtrak Dual Cab)	IFF6038
---	---------

• Some flares may not be compatible if side rails/brush bars are fitted. Some flares may require slight trimming if snorkel is installed.

BREATHER KIT

Universal Twin Manifold Filtered Breather Kit	IDIFFBRE
---	----------



Ford Ranger

T6 PX
Not USA Model
2011 to 2015



Product Description

Part No.

Qty
Req

Please check vehicle date range (if shown) next to product description prior to ordering

SUSPENSION TO SUIT FORD PX RANGER - 2011-2015

FRONT SUSPENSION

SHOCK ABSORBER

Nitro Gas Strut - Performance			12727GR	2
Foam Cell Strut - Performance			24727FE	2
Foam Cell Pro Strut - Performance			45727FE	2

COIL SPRINGS

	Est. Lift	Additional Load		
Standard	0mm	0 - 50kg	FOR001S	1
Light	35mm	0 - 50kg	FOR001A	1
Medium	40mm	0 - 50kg	FOR001B	1
Heavy	45mm	50 - 110kg	FOR001C	1

STRUT MOUNTS

Steel Strut Top			ISST014	2
-----------------	--	--	---------	---

TRIM PACKERS

5mm Strut Trim Packer	Nitro Gas / Foam Cell	HILFR05/HILFR05F	2
10mm Strut Trim Packer	Nitro Gas / Foam Cell	HILFR10/HILFR10F	2
15mm Strut Trim Packer	Nitro Gas / Foam Cell	HILFR15/HILFR15F	2

• ONLY Compatible with IRONMAN 4X4 Struts (except Pro), lift height subject to 2:1 motion ratio. Unnecessary fitment may lift vehicle too high

CONTROL ARMS

Pro-Forge Upper Control Arms			UCA054FA-B	1
------------------------------	--	--	------------	---

SPACER KIT

Sway Bar Relocation Kit			1203K	1
-------------------------	--	--	-------	---

REAR SUSPENSION

SHOCK ABSORBER

Nitro Gas - Comfort			12095GRC	2
Nitro Gas - Performance			12095GR	2
Foam Cell - Comfort			24095FEC	2
Foam Cell - Performance			24095FE	2
Foam Cell - Professional			24095FEP	2
Foam Cell Pro - Comfort			45095FEC	2
Foam Cell Pro - Performance			45095FE	2
Foam Cell Pro - Professional			45095FEP	2

LEAF SPRINGS

	Est. Lift	Additional Load		
Light	40mm	0 - 200kg	FOR002A	2
Medium	45mm	0 - 300kg	FOR002B	2
Heavy	45mm	300kg - GVM	FOR002C	2

• Possible driveline vibration may occur due to increased ride height, use 1194K to reduce vibration to satisfactory level

U-BOLTS

U-Bolt Kit			417UBK	2
------------	--	--	--------	---

POLYURETHANE SPRING BUSHES

Bush Kit			1193UK	1
----------	--	--	--------	---

DRIVELINE SPACERS

Centre Bearing Spacer Kit			1194K	1
---------------------------	--	--	-------	---

GREASABLE SHACKLES AND PINS

Greasable Shackle			1147	2
Non-Greasable Pin			387-1	2

HELPER SPRINGS

Load Plus Helper Springs			LP3	1
Add-A-Leaf			ISL6010	1



T6 PX
Not USA Model
2011 to 2015

SUSPENSION TO SUIT

Ford Ranger

Product Description

Part No.

**Qty
Req**

Please check vehicle date range (if shown) next to product description prior to ordering

SUSPENSION KIT - Specify Front Coil Springs When Ordering

Light - Nitro Gas	FOR001AKG
Light - Foam Cell	FOR001AKF
Light - Foam Cell Pro	FOR001AKP
Medium - Nitro Gas	FOR001BKG
Medium - Foam Cell	FOR001BKF
Medium - Foam Cell Pro	FOR001BKP
Heavy - Nitro Gas	FOR001CKG
Heavy - Foam Cell	FOR001CKF
Heavy - Foam Cell Pro	FOR001CKP

• Possible driveline vibration may occur due to increased ride height, use 1194K to reduce vibration to satisfactory level

SUSPENSION KIT CONTENTS

Shock Absorbers	Coil Springs	U-Bolts	Centre Bearing Spacer Kit
Strut Shock Absorbers	Leaf Springs	Polyurethane Spring Bushes	

OPTIONS AVAILABLE FOR THIS VEHICLE - SEE PAGE 384



Ford Ranger

PJ / PK
Not USA Model
3/2006 to 2011



Product Description

Part No.

Qty
Req

Please check vehicle date range (if shown) next to product description prior to ordering

ACCESSORIES TO SUIT FORD PJ/PK RANGER - 2006-2011

STEEL WINCH BULL BARS

Deluxe Bull Bar **BBCD014**

STEEL SIDE STEPS AND RAILS - FITS DUAL AND SINGLE CAB MODELS ONLY

Side Steps **SS008**

Side Steps and Rails **SSR002**

SNORKEL

3.0L TDi Diesel **ISNORKEL021**

LONG RANGE FUEL TANK

122L* Fits Dual and Single Cab only **TANK006**

* Usable volume may differ to the stated tank capacity

SUSPENSION TO SUIT FORD PJ/PK RANGER - 3/2006-2011

FRONT SUSPENSION

SHOCK ABSORBER

Nitro Gas - Performance **12667GR** 2

Foam Cell - Performance **24667FE** 2

Foam Cell Pro - Performance **45667FE** 2

TORSION BAR

Uprated Torsion Bars Duratorq Engine **MAZDA014** 1

Uprated Torsion Bars 2.5L WLT Engine **MAZDA005** 1

• MAZDA014 is 1024mm in length, used on most vehicles. Vehicles with 2.5L WLT Engine use MAZDA005 (924mm) Torsion Bar

• Minimum 60mm downward suspension travel required after adjustment

REAR SUSPENSION

SHOCK ABSORBER

Nitro Gas - Comfort **12095GRC** 2

Nitro Gas - Performance **12095GR** 2

Foam Cell - Comfort **24095FEC** 2

Foam Cell - Performance **24095FE** 2

Foam Cell Pro - Comfort **45095FEC** 2

Foam Cell Pro - Performance **45095FE** 2

LEAF SPRINGS

	Est. Lift	Additional Load		
Light	40mm	0 - 100kg	MAZDA041A	2
Medium	40mm	0 - 200kg	MAZDA041B	2
Heavy	40mm	200 - 400kg	MAZDA041C	2
Extra Heavy	40mm	400kg - GVM	MAZDA041D	2

U-BOLTS

U-Bolt Kit **417UBK** 2

POLYURETHANE SPRING BUSHES

Bush Kit **759UK** 1

GREASABLE SHACKLES AND PINS

Greasable Shackle **386-1** 2

HELPER SPRINGS

Load Plus Helper Springs **LP3** 1

Add-A-Leaf **ISL6010** 1

SUSPENSION KIT

Light - Nitro Gas **MAZDA041AKG**

Light - Foam Cell **MAZDA041AKF**

Light - Foam Cell Pro **MAZDA041AKP**

Medium - Nitro Gas **MAZDA041BKG**

Medium - Foam Cell **MAZDA041BKF**

Medium - Foam Cell Pro **MAZDA041BKP**

Heavy - Nitro Gas **MAZDA041CKG**

Heavy - Foam Cell **MAZDA041CKF**

Heavy - Foam Cell Pro **MAZDA041CKP**

Extra Heavy - Nitro Gas **MAZDA041DKG**

Extra Heavy - Foam Cell **MAZDA041DKF**

Extra Heavy - Foam Cell Pro **MAZDA041DKP**

• Check Torsion Bar length before ordering.

SUSPENSION KIT CONTENTS

Shock Absorbers

Torsion Bars

Polyurethane Spring Bushes

Leaf Springs

U-Bolts



Not USA Model
1985 to 2006

SUSPENSION TO SUIT

Ford Courier Ranger

Product Description

Part No.

Qty
Req

Please check vehicle date range (if shown) next to product description prior to ordering

SUSPENSION TO SUIT FORD COURIER RANGER - 1985-2006

FRONT SUSPENSION

SHOCK ABSORBER

Nitro Gas - Performance	12667GR	2
Foam Cell - Performance	24667FE	2
Foam Cell Pro - Performance	45667FE	2

TORSION BAR

Uprated Torsion Bars	MAZDA005	1
----------------------	----------	---

• Minimum 60mm downward suspension travel required after adjustment

REAR SUSPENSION

SHOCK ABSORBER

Nitro Gas - Comfort	12095GRC	2
Nitro Gas - Performance	12095GR	2
Foam Cell - Comfort	24095FEC	2
Foam Cell - Performance	24095FE	2
Foam Cell - Professional	24095FEP	2
Foam Cell Pro - Comfort	45095FEC	2
Foam Cell Pro - Performance	45095FE	2
Foam Cell Pro - Professional	45095FEP	2

LEAF SPRINGS

	Est. Lift	Additional Load		
Light	40mm	0 - 100kg	MAZDA006A	2
Medium	40mm	0 - 200kg	MAZDA006B	2
Heavy	40mm	200 - 400kg	MAZDA006C	2
Extra Heavy	40mm	400kg - GVM	MAZDA006D	2

U-BOLTS

U-Bolt Kit	415UBK	2
------------	--------	---

POLYURETHANE SPRING BUSHES

Bush Kit	756UK	1
----------	-------	---

GREASABLE SHACKLES AND PINS

Greasable Shackle	386-1	2
Greasable Pin	794	2

HELPER SPRINGS

Load Plus Helper Springs	LP3	1
Add-A-Leaf	ISL6010	1

SUSPENSION KIT

Light - Nitro Gas	MAZDA006AKG
Light - Foam Cell	MAZDA006AKF
Light - Foam Cell Pro	MAZDA006AKP
Medium - Nitro Gas	MAZDA006BKG
Medium - Foam Cell	MAZDA006BKF
Medium - Foam Cell Pro	MAZDA006BKP
Heavy - Nitro Gas	MAZDA006CKG
Heavy - Foam Cell	MAZDA006CKF
Heavy - Foam Cell Pro	MAZDA006CKP
Extra Heavy - Nitro Gas	MAZDA006DKG
Extra Heavy - Foam Cell	MAZDA006DKF
Extra Heavy - Foam Cell Pro	MAZDA006DKP

SUSPENSION KIT CONTENTS

Shock Absorbers	Torsion Bars	Polyurethane Spring Bushes
Leaf Springs	U-Bolts	



Product Description

Part No.

Qty
Req

Please check vehicle date range (if shown) next to product description prior to ordering

ACCESSORIES TO SUIT FORD NEXT-GEN EVEREST - 2022+

STEEL WINCH BULL BARS

Deluxe Bull Bar - Includes Integrated Recovery Points	BBCD115	
Raid Bull Bar - Includes Integrated Recovery Points	BBR110	
Pre-Primed Raid Bull Bar - Includes Integrated Recovery Points	BBR110-P	
Raid Bull Bar Kit*	BBR110K	
Light Bracket to Suit BBR110 Raid Bull Bar	ILBCKR01	
Bull Bar Multi-Function Light Patch Loom	IBBPL110	
Driving Light / Lightbar Patch Loom (Platinum models with CAN Module)	IPLS115P	
Driving Light / Lightbar Patch Loom	IPLS110	
Polyurethane Override Kit to Suit BBR110 Raid Bull Bar	BBPART046	
Camera Extension Cable	IBBCLE115	
Winch Control Extension Plug - 1500mm Length	WWB032	
Winch Control Box Mount	WWBCP110	
120W Bright Sabre Single Row Lightbar 812mm (32") Straight to suit Raid Bull Bar	ILBSR002BW	1

* Raid Bull Bars are compatible with IRONMAN 4X4 Lightbars and 20W or 40W Cube Lights, refer page 29-33 for available options

* Winch with Steel Cable and Roller Fairlead is not suitable - Use Winch with Synthetic Rope and Alloy Hawse only

STEEL SIDE STEPS AND RAILS - FITS DUAL CAB MODELS ONLY

Side Steps	SS115-D
Side Rails	SS115 RAIL
Side Steps and Rails	SSR115-D

PREMIUM UNDERBODY PROTECTION

Engine Bay and Transmission	UBP110
-----------------------------	--------

ATLAS DUAL CAB ROOF RACK KITS

Platform E with Blade Fit Kit - 2130mm Length (Ambiente, Trend and Sport Models)	IFR115TSPEK
Platform E with Blade Fit Kit - 2130mm Length (Platinum Model)	IFR115PLPEK

* See Page 38-41 for more Atlas rack, crossbar and accessory options.

FENDER FLARE KITS

Matte Black Smooth Finish 6" (Suits Non-Blindspot Sensor Models Only)	IFF60115
Matte Black Smooth Finish 6" (Suits Models with Blindspot Sensors in Flare)	IFF60115B
Fender Flare Extension Kit to suit BBC/BBCD Bars	IFFEXT110
Fender Flare Extension Kit to suit Raid Bull Bars	IFFEXT110R

* Some flares may not be compatible if side rails/brush bars are fitted. Some flares may require slight trimming if snorkel is installed.

SEAT COVER

Airbag Compatible Fabric Seat Covers - Front	SC110-CC-1R-A
--	---------------

SUN SHADE

Vehicle Specific Sun Screen Shade - Front	SUNSHD110
---	-----------

BREATHER KIT

Universal Twin Manifold Filtered Breather Kit	IDIFFBRE
---	----------

BULL BAR KIT* CONTENTS

Raid Bull Bar	Patch Loom	Driving Light Loom	Cube Light Adaptor	Lightbar	Cube Lights (4)
---------------	------------	--------------------	--------------------	----------	-----------------



Next-Gen
2022+

Ford Everest

Product Description

Part No.

Qty Req

Please check vehicle date range (if shown) next to product description prior to ordering

SUSPENSION TO SUIT FORD NEXT-GEN EVEREST - 2022+

FRONT SUSPENSION

SHOCK ABSORBER

Nitro Gas Strut - Performance			12885GR	2
Foam Cell Strut - Performance			24885FE	2
Foam Cell Pro Strut - Performance			45885FE	2

COIL SPRINGS

	Est. Lift	Additional Load		
Light - No Bar	40mm	0 - 50kg	FOR010A	1
Medium - Bar Only	50mm	0 - 80kg	FOR010B	1
Heavy - Bar / Winch	50mm	80 - 120kg	FOR010C	1

• For V6 models, to achieve stated ride height add HILFR05F or adjust Pro seat height to 198mm

STRUT MOUNTS

Steel Strut Top			ISST110	2
-----------------	--	--	----------------	---

TRIM PACKERS

5mm Strut Trim Packer	Nitro Gas / Foam Cell		HILFR05/HILFR05F	2
10mm Strut Trim Packer	Nitro Gas / Foam Cell		HILFR10/HILFR10F	2
15mm Strut Trim Packer	Nitro Gas / Foam Cell		HILFR15/HILFR15F	2

• ONLY Compatible with IRONMAN 4X4 Struts (except Pro), lift height subject to 2:1 motion ratio. Unnecessary fitment may lift vehicle too high

CONTROL ARMS

Pro-Forge Upper Control Arms			UCA110FA-B	1
------------------------------	--	--	-------------------	---

REAR SUSPENSION

SHOCK ABSORBER

Nitro Gas - Comfort			12732GRC	2
Nitro Gas - Performance ¹			12732GR	2
Foam Cell - Performance ¹			24732FE	2
Foam Cell Pro - Comfort			45732FEC	2
Foam Cell Pro - Performance ²			45732FE	2

¹ Refit original bump stop and shock absorber dust cover.

² Refit original bump stop with supplied IRONMAN 4X4 dust boot.

COIL SPRINGS

	Est. Lift	Additional Load		
Light	45mm	0 - 200kg	FOR003A	1
Medium	45mm	0 - 200kg	FOR003B	1
Heavy	45mm	200 - 300kg	FOR003C	1
Extra Heavy	45mm	400kg - GVM	FOR003D	1

SUSPENSION KIT - Specify Front Coil Springs When Ordering

Light - Nitro Gas	FOR003AKG2
Light - Foam Cell Pro	FOR003AKP2
Medium - Nitro Gas	FOR003BKG2
Medium - Foam Cell Pro	FOR003BKP2
Heavy - Nitro Gas	FOR003CKG2
Heavy - Foam Cell	FOR003CKF2
Heavy - Foam Cell Pro	FOR003CKP2
Extra Heavy - Nitro Gas	FOR003DKG2
Extra Heavy - Foam Cell	FOR003DKF2
Extra Heavy - Foam Cell Pro	FOR003DKP2

SUSPENSION KIT CONTENTS

Shock Absorbers

Strut Shock Absorbers

Coil Springs

Ford Everest

UAll
7/2018 to 2022



Product Description

Part No.

Qty
Req

Please check vehicle date range (if shown) next to product description prior to ordering

ACCESSORIES TO SUIT FORD UAll EVEREST - 7/2018-2022

STEEL WINCH BULL BARS

Commercial Bull Bar - With parking sensor provisions Without Tech Pack	BBC055
Deluxe Bull Bar - With parking sensor provisions Without Tech Pack	BBCD055
Deluxe Bull Bar - With or Without Tech Pack	BBCD066
Proguard No Loop Bull Bar - With or Without Tech Pack	BBT066-NL
Proguard Single Loop Kit	BB066-SL
Proguard Triple Loop Kit	BB066-TL
Bull Bar Multi-Function Light Patch Loom	IBBPL066
Driving Light / Lightbar Patch Loom	IPLS066
Driving Light / Lightbar Patch Loom - <i>While Stocks Last</i>	IPL066
Parking Sensor Holder Kit	PSH066E

- Winch with Steel Cable and Roller Fairlead is not suitable for use with BBCD066 and BBT066 - Use Winch with Synthetic Rope and Alloy Hawse only
- Can also be fitted to both 2WD and 4WD models.

STEEL SIDE STEPS AND RAILS

Side Steps	SS055
Side Rails	SS055 RAIL
Side Steps and Rails	SSR055

RECOVERY POINTS - IRONMAN 4X4 BULL BAR ONLY

Recovery Points - 5000kg Rating (Pair)	IRP054
--	--------

SNORKEL

UAll Everest	ISNORKEL034XLT
--------------	----------------

PREMIUM UNDERBODY PROTECTION

Engine Bay and Transmission - DPF Models (Retains factory transmission plate)	UBP055
---	--------

BREATHER KIT

Universal Twin Manifold Filtered Breather Kit	IDIFFBRE
---	----------

UAI
7/2018 to 2022

Product Description

Part No.

Qty
Req*Please check vehicle date range (if shown) next to product description prior to ordering***SUSPENSION TO SUIT FORD EVEREST - 7/2018-2022 / 2015-6/2018****FRONT SUSPENSION****SHOCK ABSORBER**

Nitro Gas Strut - Performance			12827GR	2
Foam Cell Strut - Performance			24827FE	2
Foam Cell Pro Strut - Performance			45827FE	2

COIL SPRINGS

	Est. Lift	Additional Load		
Standard	0mm	0 - 50kg	FOR005S	1
Medium	40mm	0 - 50kg	FOR005A	1
Heavy	45mm	50 - 110kg	FOR005B	1

STRUT MOUNTS

Steel Strut Top			ISST055	2
Bump Stop Base Holder			PBC055	2

TRIM PACKERS

5mm Strut Trim Packer	Nitro Gas / Foam Cell		HILFR05/HILFR05F	2
10mm Strut Trim Packer	Nitro Gas / Foam Cell		HILFR10/HILFR10F	2
15mm Strut Trim Packer	Nitro Gas / Foam Cell		HILFR15/HILFR15F	2

• ONLY Compatible with IRONMAN 4X4 Struts (except Pro), lift height subject to 2:1 motion ratio. Unnecessary fitment may lift vehicle too high

SWAY BAR LINK

Adjustable Sway Bar Link			1214K	2
--------------------------	--	--	--------------	---

CONTROL ARMS

Pro-Forge Upper Control Arms			UCA054FA-B	1
------------------------------	--	--	-------------------	---

REAR SUSPENSION**SHOCK ABSORBER**

Nitro Gas - Performance ¹			12732GR	2
Foam Cell - Performance ¹			24732FE	2
Foam Cell Pro - Performance ²			45732FE	2

¹ Refit original bump stop and shock absorber dust cover.

² Refit original bump stop with supplied IRONMAN 4X4 dust boot.

COIL SPRINGS

	Est. Lift	Additional Load		
Medium	45mm	0 - 300kg	FOR003B	1
Heavy	45mm	300kg - GVM	FOR003C	1

SUSPENSION KIT - Specify Front Coil Springs When Ordering

Medium - Nitro Gas	FOR003BKG1
Medium - Foam Cell	FOR003BKF1
Medium - Foam Cell Pro	FOR003BKP1
Heavy - Nitro Gas	FOR003CKG1
Heavy - Foam Cell	FOR003CKF1
Heavy - Foam Cell Pro	FOR003CKP1

SUSPENSION KIT CONTENTS

Shock Absorbers

Strut Shock Absorbers

Coil Springs

Ford Everest

3.2L
2015 to 6/2018



Product Description

Part No.

Qty
Req

Please check vehicle date range (if shown) next to product description prior to ordering

ACCESSORIES TO SUIT FORD EVEREST - 2015-6/2018

STEEL WINCH BULL BARS

Commercial Bull Bar - With parking sensor provisions Without Tech Pack	BBC055
Deluxe Bull Bar - With parking sensor provisions Without Tech Pack	BBCD055
Deluxe Bull Bar - With or Without Tech Pack	BBCD054
Proguard No Loop Bull Bar - With or Without Tech Pack	BBT054-NL
Proguard Single Loop Kit	BB054-SL
Proguard Triple Loop Kit	BB054-TL
Bull Bar Multi-Function Light Patch Loom	IBBPL066
Driving Light / Lightbar Patch Loom	IPLS066
Driving Light / Lightbar Patch Loom - <i>While Stocks Last</i>	IPL066
Parking Sensor Holder Kit	PSH066E

• Can also be fitted to both 2WD and 4WD models.

STEEL SIDE STEPS AND RAILS

Side Steps	SS055
Side Rails	SS055 RAIL
Side Steps and Rails	SSR055

RECOVERY POINTS - IRONMAN 4X4 BULL BAR ONLY

Recovery Points - 5000kg Rating (Pair)	IRP054
--	--------

PREMIUM UNDERBODY PROTECTION

Engine Bay and Transmission	UBP054
-----------------------------	--------

BREATHER KIT

Universal Twin Manifold Filtered Breather Kit	IDIFFBRE
---	----------

3.2L
2015 to 6/2018

Product Description

Part No.

Qty
Req*Please check vehicle date range (if shown) next to product description prior to ordering***SUSPENSION TO SUIT FORD EVEREST - 2015-6/2018****FRONT SUSPENSION****SHOCK ABSORBER**

Nitro Gas Strut - Performance			12727GR	2
Foam Cell Strut - Performance			24727FE	2
Foam Cell Pro Strut - Performance			45727FE	2

COIL SPRINGS

	Est. Lift	Additional Load		
Standard	0mm	0 - 50kg	FOR001S	1
Medium	40mm	0 - 50kg	FOR001A	1
Heavy	40mm	50 - 100kg	FOR001B	1

STRUT MOUNTS

Steel Strut Top			ISST014	2
-----------------	--	--	----------------	---

TRIM PACKERS

5mm Strut Trim Packer	Nitro Gas / Foam Cell	HILFR05/HILFR05F	2
10mm Strut Trim Packer	Nitro Gas / Foam Cell	HILFR10/HILFR10F	2
15mm Strut Trim Packer	Nitro Gas / Foam Cell	HILFR15/HILFR15F	2

• ONLY Compatible with IRONMAN 4X4 Struts (except Pro), lift height subject to 2:1 motion ratio. Unnecessary fitment may lift vehicle too high

CONTROL ARMS

Pro-Forge Upper Control Arms			UCA054FA-B	1
------------------------------	--	--	-------------------	---

REAR SUSPENSION**SHOCK ABSORBER**

Nitro Gas - Performance ¹			12732GR	2
Foam Cell - Performance ¹			24732FE	2
Foam Cell Pro - Performance ²			45732FE	2

¹ Refit original bump stop and shock absorber dust cover.

² Refit original bump stop with supplied IRONMAN 4X4 dust boot.

COIL SPRINGS

	Est. Lift	Additional Load		
Medium	45mm	0 - 300kg	FOR003B	1
Heavy	45mm	300kg - GVM	FOR003C	1

SUSPENSION KIT - Specify Front Coil Springs When Ordering

Medium - Nitro Gas	FOR003BKG
Medium - Foam Cell	FOR003BKF
Medium - Foam Cell Pro	FOR003BKP
Heavy - Nitro Gas	FOR003CKG
Heavy - Foam Cell	FOR003CKF
Heavy - Foam Cell Pro	FOR003CKP

SUSPENSION KIT CONTENTS

Shock Absorbers	Strut Shock Absorbers	Coil Springs
-----------------	-----------------------	--------------

GM / Chevrolet Silverado

1500
2019+



Product Description

Part No.

Qty
Req

Please check vehicle date range (if shown) next to product description prior to ordering

ACCESSORIES TO SUIT GM / CHEVROLET SILVERADO 1500 - 2019+

STEEL WINCH BULL BARS

Apex Bull Bar - 60.3mm Tube	BBP087C	
Apex Bull Bar Kit* - 60.3mm Tube	BBP087CK	
Apex Single Loop Bull Bar - 60.3mm Tube	BBP087C-SL	
Apex Single Loop Bull Bar Kit* - 60.3mm Tube	BBP087C-SLK	
Raid Full Length Steel Tubular Bumper - Not compatible with ZR2 model	BBR087E	
Bull Bar Multi-Function Light Patch Loom	IBBPL087	
300W Bright Sabre Dual Row Slim Lightbar 815mm (32") Straight	ILBDR002B	1

* Apex and Raid Bull Bars are compatible with IRONMAN 4X4 Lightbars and 20W or 40W Cube Lights, refer page 29-33 for available options

STEEL SIDE STEPS AND RAILS

Raid Side Steps	SS087	
-----------------	-------	--

REAR PROTECTION

Raid Steel Rear Tubular Bumper	RTB087	
--------------------------------	--------	--

* Raid Rear Bars are compatible with IRONMAN 4X4 20W Cube Lights, refer page 32 for available options

SLIDE-AWAY ROLL UP HARD TONNEAU COVER

Electric with Remote Control (Long Bed)	ISLIDEAWAY087L-E	
Electric with Remote Control (Short Bed)	ISLIDEAWAY087S-E	

ATLAS ROOF RACK KITS

Platform G with Blade Fit Kit to Suit Slideaway Hard Tonneau Cover - 1390mm Length	IFRSLDAWAYPGK	
Crossbar (x 2) and Fit Kit to Suit Slideaway Hard Tonneau Cover - 1650mm Width	IFRSLDAWAYC2K	

* See Page 38-41 for more Atlas rack, crossbar and accessory options.

BREATHER KIT

Universal Twin Manifold Filtered Breather Kit	IDIFFBRE	
---	----------	--

BULL BAR KIT* CONTENTS

Apex Bull Bar	Bull Bar Light Loom	Cube Lights (2)	Turn / Park Cube Lights (2)
Apex Single Loop Bull Bar	Bull Bar Light Loom	Cube Lights (2)	

SUSPENSION TO SUIT GM / CHEVROLET SILVERADO 1500 - 2019+

LIFT AND LEVEL KIT

Steel Multi-Leaf Rear Spacer Kit - To Suit OEM Shock Absorbers*	4"Lift - Front	3"Lift - Rear	76-087-001	1
Composite Single-Leaf Rear Spacer Kit - To Suit OEM Shock Absorbers†	4"Lift - Front	3"Lift - Rear	76-087-002	1

* For use on steel multi leaf spring rear only. Not for use on Trail Boss, ZR2, and AT4 / AT4X, and 2019 classic body LD or Limited variants.

† For use on composite mono leaf spring rear only. Not for use on Trail Boss, ZR2, and AT4 / AT4X, or Limited variants.

• Not for use on aftermarket shock absorbers.

LIFT AND LEVEL KIT CONTENTS

76-087001/76-087-002 - OEM Shock Absorbers	Tubular Steel UCA	Steel Strut Spacer	Alloy Preload Spacer
	Cast Leaf Block	U-Bolts	Steel Coil Spacer Rear
	Rear Shock Extension	Rear Bump Stop Extension	



2500/3500
2019+

GM / Chevrolet Silverado

Product Description

Part No.

Qty
Req

Please check vehicle date range (if shown) next to product description prior to ordering

ACCESSORIES TO SUIT GM / CHEVROLET SILVERADO 2500 - 2019+

SLIDE-AWAY ROLL UP HARD TONNEAU COVER

Electric with Remote Control

ISLIDEAWAY097-E

BREATHER KIT

Universal Twin Manifold Filtered Breather Kit

IDIFFBRE

GM / Holden Jackaroo

Bighorn / Monterey
1992+

Product Description

Part No.

Qty
Req

Please check vehicle date range (if shown) next to product description prior to ordering

SUSPENSION TO SUIT GM / HOLDEN JACKAROO - 1992+

FRONT SUSPENSION

SHOCK ABSORBER

Nitro Gas - Performance	12643GR	2
Foam Cell - Performance	24643FE	2

TORSION BAR

Up-rated Torsion Bars	HOLD009	1
-----------------------	---------	---

• Minimum 60mm downward suspension travel required after adjustment

REAR SUSPENSION

SHOCK ABSORBER

Nitro Gas - Performance	12644GR	2
Foam Cell - Performance	24644FE	2

COIL SPRINGS

	Est. Lift	Additional Load		
Medium	40mm	0 - 300kg	HOLD008B	1
Heavy	40mm	300kg - GVM	HOLD008C	1

• Use HOLD008C for 3/2001+ Models

SUSPENSION KIT

Medium - Nitro Gas	HOLD008BKG
Medium - Foam Cell	HOLD008BKF
Heavy - Nitro Gas	HOLD008CKG
Heavy - Foam Cell	HOLD008CKF

SUSPENSION KIT CONTENTS

Shock Absorbers

Coil Springs

Torsion Bars



11/1986 to 1991

SUSPENSION TO SUIT

GM / Holden Jackaroo

Product Description

Part No.

Qty
Req

Please check vehicle date range (if shown) next to product description prior to ordering

SUSPENSION TO SUIT GM / HOLDEN JACKAROO - 11/1986-1991

FRONT SUSPENSION

SHOCK ABSORBER

Nitro Gas - Performance		12087GR	2
Foam Cell - Performance		24087FE	2

TORSION BAR

Uprated Torsion Bars	43mm Spline Count	HOLD005A	1
----------------------	-------------------	-----------------	---

• Minimum 60mm downward suspension travel required after adjustment

REAR SUSPENSION

SHOCK ABSORBER

Nitro Gas - Performance		12671GR	2
-------------------------	--	----------------	---

LEAF SPRINGS

	Est. Lift	Additional Load		
Medium - Drivers Side	40mm	0 - 300kg	HOLD004BD/S	1
Medium - Near Side	40mm	0 - 300kg	HOLD004BN/S	1
Heavy - Drivers Side	40mm	300kg - GVM	HOLD004CD/S	1
Heavy - Near Side	40mm	300kg - GVM	HOLD004CN/S	1

U-BOLTS

U-Bolt Kit		451UBK	2
------------	--	---------------	---

POLYURETHANE SPRING BUSHES

Bush Kit		747UK	1
----------	--	--------------	---

GREASABLE SHACKLES AND PINS

Greasable Shackle		791	2
Greasable Pin		792	2

HELPER SPRINGS

Load Plus Helper Springs		LP3	1
Add-A-Leaf		ISL6010	1

SUSPENSION KIT

Medium - Nitro Gas		HOLD007BKG
Medium - Foam Cell		HOLD007BKF
Heavy - Nitro Gas		HOLD007CKG
Heavy - Foam Cell		HOLD007CKF

SUSPENSION KIT CONTENTS

Shock Absorbers	Torsion Bars	Polyurethane Spring Bushes
Leaf Springs	U-Bolts	

GM / Holden Jackaroo

Pre 1986



Product Description

Part No.

Qty
Req

Please check vehicle date range (if shown) next to product description prior to ordering

SUSPENSION TO SUIT GM / HOLDEN JACKAROO - PRE 1986

FRONT SUSPENSION

SHOCK ABSORBER

Nitro Gas - Performance	12087GR	2
Foam Cell - Performance	24087FE	2

TORSION BAR

Up-rated Torsion Bars	MAZDA005	1
-----------------------	----------	---

• Minimum 60mm downward suspension travel required after adjustment

REAR SUSPENSION

SHOCK ABSORBER

Nitro Gas - Comfort	12636GRC	2
Nitro Gas - Performance	12636GR	2
Foam Cell - Comfort	24636FEC	2
Foam Cell - Performance	24636FE	2

LEAF SPRINGS

	Est. Lift	Additional Load		
Medium - Drivers Side	40mm	0 - 300kg	HOLD004BD/S	1
Medium - Near Side	40mm	0 - 300kg	HOLD004BN/S	1
Heavy - Drivers Side	40mm	300kg - GVM	HOLD004CD/S	1
Heavy - Near Side	40mm	300kg - GVM	HOLD004CN/S	1

U-BOLTS

U-Bolt Kit	451UBK	2
------------	--------	---

POLYURETHANE SPRING BUSHES

Bush Kit	747UK	1
----------	-------	---

GREASABLE SHACKLES AND PINS

Greasable Shackle	791	2
Greasable Pin	792	2

HELPER SPRINGS

Load Plus Helper Springs	LP3	1
Add-A-Leaf	ISL6010	1

SUSPENSION KIT

Medium - Nitro Gas	HOLD005BKG
Medium - Foam Cell	HOLD005BKF
Heavy - Nitro Gas	HOLD005CKG
Heavy - Foam Cell	HOLD005CKF

SUSPENSION KIT CONTENTS

Shock Absorbers	Torsion Bars	Polyurethane Spring Bushes
Leaf Springs	U-Bolts	



1995 to 1/1999

GM / Holden Frontera

Product Description

Part No.

Qty
Req

Please check vehicle date range (if shown) next to product description prior to ordering

SUSPENSION TO SUIT GM / HOLDEN JACKAROO - 1995-1/1999

FRONT SUSPENSION

SHOCK ABSORBER

Nitro Gas - Performance	12667GR	2
Foam Cell - Performance	24667FE	2

TORSION BAR

Uprated Torsion Bars	HOLD009	1
----------------------	----------------	---

• Minimum 60mm downward suspension travel required after adjustment

REAR SUSPENSION

SHOCK ABSORBER

Nitro Gas - Performance	12644GR	2
Foam Cell - Performance	24644FE	2

COIL SPRINGS

	Est. Lift	Additional Load		
Medium	45mm	0 - 300kg	HOLD008B	1
Heavy	45mm	300kg - GVM	HOLD008C	1

SUSPENSION KIT

Medium - Nitro Gas	HOLD008BKG1
Medium - Foam Cell	HOLD008BKF1
Heavy - Nitro Gas	HOLD008CKG1
Heavy - Foam Cell	HOLD008CKF1

SUSPENSION KIT CONTENTS

Shock Absorbers

Coil Springs

Torsion Bars

GM / Holden Trailblazer

LT / LTZ
2017 to 2020

Product Description

Part No.

Qty
Req

Please check vehicle date range (if shown) next to product description prior to ordering

ACCESSORIES TO SUIT GM / HOLDEN TRAILBLAZER - 2017-2020

STEEL WINCH BULL BARS

Commercial Bull Bar	BBC057
Deluxe Bull Bar	BBCD057
Proguard No Loop Bull Bar	BBT057-NL
Proguard Single Loop Kit	BB057-SL
Proguard Triple Loop Kit	BB057-TL
Driving Light / Lightbar Patch Loom	IPLS057
Driving Light / Lightbar Patch Loom - <i>While Stocks Last</i>	IPL057

• Can also be fitted to both 2WD and 4WD models.

STEEL SIDE STEPS AND RAILS - FITS DUAL CAB MODELS ONLY

Side Steps	SS044
Side Rails	SS044 RAIL
Side Steps and Rails	SSR044

RECOVERY POINTS - IRONMAN 4X4 BULL BAR ONLY

Recovery Points (One piece, two points) - 5000kg rating	IRP057
Recovery Points - 5000kg Rating (Pair)	IRP058

SNORKEL

Trailblazer LT/LTZ 2017+	ISNORKEL036
--------------------------	-------------

PREMIUM UNDERBODY PROTECTION

Engine Bay and Transmission	UBP057
-----------------------------	--------

STEEL ROOF RACKS

Rooftop Tent Compatible - 1.8 x 1.25m	IRR TENT18
---------------------------------------	------------

ALLOY ROOF RACKS

Cage Style - 1.8m x 1.25m	IRRCAGE18-ALLOY
Trade Style - 1.8m x 1.25m (Open end)	IRRTRADE18-ALLOY
Flat Rack - 1.8m x 1.25m	IRRTFLAT18-ALLOY

STEEL AND ALLOY ROOF RACK - MOUNT KITS

Mount Feet (6 Feet) - Suits OE rails	IRRFEE001
--------------------------------------	-----------

BREATHER KIT

Universal Twin Manifold Filtered Breather Kit	IDIFFBRE
---	----------



LT / LTZ
2017 to 2020

GM / Holden Trailblazer

Product Description

Part No.

Qty
Req

Please check vehicle date range (if shown) next to product description prior to ordering

SUSPENSION TO SUIT GM / HOLDEN TRAILBLAZER - 2017-2020

FRONT SUSPENSION

SHOCK ABSORBER

Nitro Gas Strut - Performance			12745GR	2
Foam Cell Strut - Performance			24745FE	2
Foam Cell Pro Strut - Performance			45745FE	2

COIL SPRINGS

	Est. Lift	Additional Load		
Standard	0mm	0 - 50kg	HOLD020S	1
Light	30mm	0 - 50kg	HOLD020A	1
Medium	40mm	0 - 50kg	HOLD020B	1
Heavy	40mm	50 - 110kg	HOLD020C	1

STRUT MOUNTS

Steel Strut Top			ISST017	2
-----------------	--	--	---------	---

TRIM PACKERS

5mm Strut Trim Packer	Nitro Gas / Foam Cell	HILFR05/HILFR05F	2
10mm Strut Trim Packer	Nitro Gas / Foam Cell	HILFR10/HILFR10F	2
15mm Strut Trim Packer	Nitro Gas / Foam Cell	HILFR15/HILFR15F	2

• ONLY Compatible with IRONMAN 4X4 Struts (except Pro), lift height subject to 2:1 motion ratio. Unnecessary fitment may lift vehicle too high

CONTROL ARMS

Pro-Forge Upper Control Arms			UCA041FA-B	1
------------------------------	--	--	------------	---

REAR SUSPENSION

SHOCK ABSORBER

Nitro Gas - Comfort			12746GRC	2
Nitro Gas - Performance			12746GR	2
Foam Cell - Comfort			24746FEC	2
Foam Cell - Performance			24746FE	2
Foam Cell Pro - Comfort			45746FEC	2
Foam Cell Pro - Performance			45746FE	2

COIL SPRINGS

	Est. Lift	Additional Load		
Standard	0mm	0 - 250kg	HOLD022S	1
Light	30mm	0 - 250kg	HOLD022A	1
Medium	40mm	0 - 250kg	HOLD022B	1
Heavy	45mm	250kg - GVM	HOLD022C	1

SUSPENSION KIT - Specify Front Coil Springs When Ordering

Standard - Nitro Gas	HOLD022SKG
Standard - Foam Cell	HOLD022SKF
Standard - Foam Cell Pro	HOLD022SKP
Light - Nitro Gas	HOLD022AKG
Light - Foam Cell	HOLD022AKF
Light - Foam Cell Pro	HOLD022AKP
Medium - Nitro Gas	HOLD022BKG
Medium - Foam Cell	HOLD022BKF
Medium - Foam Cell Pro	HOLD022BKP
Heavy - Nitro Gas	HOLD022CKG
Heavy - Foam Cell	HOLD022CKF
Heavy - Foam Cell Pro	HOLD022CKP

SUSPENSION KIT CONTENTS

Shock Absorbers

Strut Shock Absorbers

Coil Springs

GM / Holden Colorado 7

RG
2012 to 2017

Product Description

Part No.

Qty
Req

Please check vehicle date range (if shown) next to product description prior to ordering

ACCESSORIES TO SUIT GM / HOLDEN COLORADO 7 - 2012-2017

STEEL WINCH BULL BARS

Deluxe Bull Bar

BBCD044

• Can also be fitted to both 2WD and 4WD models.

STEEL SIDE STEPS AND RAILS

Side Steps

SS044

Side Rails

SS044 RAIL

Side Steps and Rails

SSR044

RECOVERY POINTS - IRONMAN 4X4 BULL BAR ONLY

Recovery Points - 5000kg Rating (Pair)

IRP058

SNORKEL

Colorado 7 RG 2012+

ISNORKE036

PREMIUM UNDERBODY PROTECTION

Engine Bay and Transmission

UBP041

STEEL ROOF RACKS

Rooftop Tent Compatible - 1.8 x 1.25m

IRR TENT18

ALLOY ROOF RACKS

Cage Style - 1.8m x 1.25m

IRR CAGE18-ALLOY

Trade Style - 1.8m x 1.25m (Open end)

IRR TRADE18-ALLOY

Flat Rack - 1.8m x 1.25m

IRR FLAT18-ALLOY

STEEL AND ALLOY ROOF RACK - MOUNT KITS

Mount Feet (6 Feet) - Suits OE rails

IRR FEET001

BREATHER KIT

Universal Twin Manifold Filtered Breather Kit

IDIFFBRE

Trailblazer
2012+

GM / Holden Colorado 7

Product Description

Part No.

Qty
Req

Please check vehicle date range (if shown) next to product description prior to ordering

SUSPENSION TO SUIT GM / HOLDEN COLORADO 7 - 2012-2020**FRONT SUSPENSION****SHOCK ABSORBER**

Nitro Gas Strut - Performance			12745GR	2
Foam Cell Strut - Performance			24745FE	2
Foam Cell Pro Strut - Performance			45745FE	2

COIL SPRINGS

	Est. Lift	Additional Load		
Standard	0mm	0 - 50kg	HOLD020S	1
Light	30mm	0 - 50kg	HOLD020A	1
Medium	40mm	0 - 50kg	HOLD020B	1
Heavy	40mm	50 - 110kg	HOLD020C	1

STRUT MOUNTS

Steel Strut Top			ISST017	2
-----------------	--	--	----------------	---

TRIM PACKERS

5mm Strut Trim Packer	Nitro Gas / Foam Cell	HILFR05/HILFR05F	2
10mm Strut Trim Packer	Nitro Gas / Foam Cell	HILFR10/HILFR10F	2
15mm Strut Trim Packer	Nitro Gas / Foam Cell	HILFR15/HILFR15F	2

• ONLY Compatible with IRONMAN 4X4 Struts (except Pro), lift height subject to 2:1 motion ratio. Unnecessary fitment may lift vehicle too high

CONTROL ARMS

Pro-Forge Upper Control Arms		UCA041FAS-B	1
------------------------------	--	--------------------	---

REAR SUSPENSION**SHOCK ABSORBER**

Nitro Gas - Comfort			12746GRC	2
Nitro Gas - Performance			12746GR	2
Foam Cell - Comfort			24746FEC	2
Foam Cell - Performance			24746FE	2
Foam Cell Pro - Comfort			45746FEC	2
Foam Cell Pro - Performance			45746FE	2

COIL SPRINGS

	Est. Lift	Additional Load		
Standard	0mm	0 - 250kg	HOLD022S	1
Light	30mm	0 - 250kg	HOLD022A	1
Medium	40mm	0 - 250kg	HOLD022B	1
Heavy	45mm	250kg - GVM	HOLD022C	1

SUSPENSION KIT - Specify Front Coil Springs When Ordering

Standard - Nitro Gas	HOLD022SKG
Standard - Foam Cell	HOLD022SKF
Standard - Foam Cell Pro	HOLD022SKP
Light - Nitro Gas	HOLD022AKG
Light - Foam Cell	HOLD022AKF
Light - Foam Cell Pro	HOLD022AKP
Medium - Nitro Gas	HOLD022BKG
Medium - Foam Cell	HOLD022BKF
Medium - Foam Cell Pro	HOLD022BKP
Heavy - Nitro Gas	HOLD022CKG
Heavy - Foam Cell	HOLD022CKF
Heavy - Foam Cell Pro	HOLD022CKP

SUSPENSION KIT CONTENTS

Shock Absorbers

Strut Shock Absorbers

Coil Springs

GM / Holden Colorado

RG
11/2016 to 2020

Product Description

Part No.

Qty
Req

Please check vehicle date range (if shown) next to product description prior to ordering

ACCESSORIES TO SUIT GM / HOLDEN COLORADO - 11/2016-2020

STEEL WINCH BULL BARS

Commercial Bull Bar	BBC057
Deluxe Bull Bar	BBCD057
Proguard No Loop Bull Bar	BBT057-NL
Proguard Single Loop Kit	BB057-SL
Proguard Triple Loop Kit	BB057-TL
Driving Light / Lightbar Patch Loom	IPLS057
Driving Light / Lightbar Patch Loom - <i>While Stocks Last</i>	IPL057

• Can also be fitted to both 2WD and 4WD models.

STEEL SIDE STEPS AND RAILS - FITS DUAL, SPACE AND SINGLE CAB MODELS ONLY

Side Steps	SS057
Side Steps - Dimple Step Design	SS057-D
Side Rails	SS057 RAIL
Side Steps and Rails	SSR057
Side Steps and Rails - Dimple Step Design	SSR057-D

TOWING

Class 4 Towbar - Compatible with Factory Rear Bumper	TB040
Rear Protection Towbar - Full Rear Bumper Replacement	RTB040
Rear Protection Towbar Plates (Pair)	RTBPLATE002
Towbar Wiring Loom - Plug and Play	ITBL040
Load Resistor Kit with Mounting Brackets for Licence Plate Lights	LR12V10W

RECOVERY POINTS - IRONMAN 4X4 BULL BAR ONLY

Recovery Points (One piece, two points) - 5000kg rating	IRP057
Recovery Points - 5000kg Rating (Pair)	IRP058

BATTERY TRAY

Suits 8" Battery	IBTRAY057
------------------	-----------

SNORKEL

Colorado RG 2016+	ISNORKEL036
-------------------	-------------

LONG RANGE FUEL TANK

145L* Diesel only - Fits Dual Cab Automatic Transmission only	TANK057
---	---------

* Usable volume may differ to the stated tank capacity

PREMIUM UNDERBODY PROTECTION

Engine Bay and Transmission	UBP057
-----------------------------	--------

FENDER FLARE KITS

Matte Black Smooth Finish 6" (Suits Dual Cab Only)	IFF6057
--	---------

• Some flares may not be compatible if side rails/brush bars are fitted. Some flares may require slight trimming if snorkel is installed.

BREATHER KIT

Universal Twin Manifold Filtered Breather Kit	IDIFFBRE
---	----------

SUSPENSION TO SUIT GM / HOLDEN COLORADO - 2016-2020

FRONT SUSPENSION

SHOCK ABSORBER

Nitro Gas Strut - Performance	12745GR	2
Foam Cell Strut - Performance	24745FE	2
Foam Cell Pro Strut - Performance	45745FE	2

COIL SPRINGS

	Est. Lift	Additional Load		
Medium	40mm	0 - 50kg	HOLD020A	1
Heavy	40mm	50 - 110kg	HOLD020B	1

STRUT MOUNTS

Steel Strut Top	ISST017	2
-----------------	---------	---

TRIM PACKERS

5mm Strut Trim Packer	Nitro Gas / Foam Cell	HILFR05/HILFR05F	2
10mm Strut Trim Packer	Nitro Gas / Foam Cell	HILFR10/HILFR10F	2
15mm Strut Trim Packer	Nitro Gas / Foam Cell	HILFR15/HILFR15F	2

• ONLY Compatible with IRONMAN 4X4 Struts (except Pro), lift height subject to 2:1 motion ratio. Unnecessary fitment may lift vehicle too high

CONTROL ARMS

Pro-Forge Upper Control Arms	UCA041FA-B	1
------------------------------	------------	---



RG
2016 to 2020

GM / Holden Colorado

Product Description

Part No.

Qty
Req

Please check vehicle date range (if shown) next to product description prior to ordering

REAR SUSPENSION

SHOCK ABSORBER

Nitro Gas - Comfort			12636GRC	2
Nitro Gas - Performance			12636GR	2
Nitro Gas - Professional			12636GRP	2
Foam Cell - Comfort			24636FEC	2
Foam Cell - Performance			24636FE	2
Foam Cell - Professional			24636FEP	2
Foam Cell Pro - Comfort			45636FEC	2
Foam Cell Pro - Performance			45636FE	2
Foam Cell Pro - Professional			45636FEP	2

LEAF SPRINGS

	Est. Lift	Additional Load		
Light	30mm	0 - 200kg	HOLD021A	2
Medium	45mm	0 - 300kg	HOLD021B	2
Heavy	45mm	300kg - 600kg	HOLD021C	2
Extra Heavy	45mm	600kg - GVM	HOLD021D	2

U-BOLTS

U-Bolt Kit			437UBKL	2
U-Bolt Kit	Suits HOLD021D		678UBK	2

POLYURETHANE SPRING BUSHES

Bush Kit			770UK	1
----------	--	--	--------------	---

GREASABLE SHACKLES AND PINS

Greasable Shackle			1148	2
Non-Greasable Pin			387-1	2

HELPER SPRINGS

Add-A-Leaf			ISL6010	1
------------	--	--	----------------	---

SUSPENSION KIT - Specify Front Coil Springs When Ordering

Light - Nitro Gas	HOLD021AKG1
Light - Foam Cell	HOLD021AKF1
Light - Foam Cell Pro	HOLD021AKP1
Medium - Nitro Gas	HOLD021BKG1
Medium - Foam Cell	HOLD021BKF1
Medium - Foam Cell Pro	HOLD021BKP1
Heavy - Nitro Gas	HOLD021CKG1
Heavy - Foam Cell	HOLD021CKF1
Heavy - Foam Cell Pro	HOLD021CKP1
Extra Heavy - Nitro Gas	HOLD021DKG1
Extra Heavy - Foam Cell	HOLD021DKF1
Extra Heavy - Foam Cell Pro	HOLD021DKP1

SUSPENSION KIT CONTENTS

Shock Absorbers	Coil Springs	Polyurethane Spring Bushes
Leaf Springs	U-Bolts	Strut Shock Absorbers

OPTIONS AVAILABLE FOR THIS VEHICLE - SEE PAGE 385



GM / Holden Colorado

RG
2012 to 10/2016

Product Description

Part No.

Qty
Req

Please check vehicle date range (if shown) next to product description prior to ordering

ACCESSORIES TO SUIT GM / HOLDEN COLORADO - 2012-10/2016

STEEL WINCH BULL BARS

Commercial Bull Bar	BBC040
Deluxe Bull Bar	BBCD040
Driving Light / Lightbar Patch Loom	IPLS057
Driving Light / Lightbar Patch Loom - <i>While Stocks Last</i>	IPL057

• Can also be fitted to both 2WD and 4WD models.

STEEL SIDE STEPS AND RAILS

Side Steps	SS057
Side Steps - Dimple Step Design	SS057-D
Side Rails	SS057 RAIL
Side Steps and Rails	SSR057
Side Steps and Rails - Dimple Step Design	SSR057-D

TOWING

Class 4 Towbar - Compatible with Factory Rear Bumper	TB040
Rear Protection Towbar - Full Rear Bumper Replacement	RTB040
Rear Protection Towbar Plates (Pair)	RTBPLATE002
Towbar Wiring Loom - Plug and Play	ITBL040

RECOVERY POINTS - IRONMAN 4X4 BULL BAR ONLY

Recovery Points - 5000kg Rating (Pair)	IRP058
--	--------

SNORKEL

Colorado RG 2012-10/2016	ISNORKEL036
--------------------------	-------------

LONG RANGE FUEL TANK

145L* Diesel only - Fits Dual Cab only	TANK057
--	---------

* Usable volume may differ to the stated tank capacity

PREMIUM UNDERBODY PROTECTION

Engine Bay and Transmission	UBP041
-----------------------------	--------

FENDER FLARE KITS

Matte Black Smooth Finish 6" (Suits Dual Cab Only)	IFF6040
--	---------

• Some flares may not be compatible if side rails/brush bars are fitted. Some flares may require slight trimming if snorkel is installed.

BREATHER KIT

Universal Twin Manifold Filtered Breather Kit	IDIFFBRE
---	----------

SUSPENSION TO SUIT GM / HOLDEN COLORADO - 2012-2016

FRONT SUSPENSION

SHOCK ABSORBER

Nitro Gas Strut - Performance	12745GR	2
Foam Cell Strut - Performance	24745FE	2
Foam Cell Pro Strut - Performance	45745FE	2

COIL SPRINGS

	Est. Lift	Additional Load		
Standard	0mm	0 - 50kg	HOLD020S	1
Light	30mm	0 - 50kg	HOLD020A	1
Medium	40mm	0 - 50kg	HOLD020B	1
Heavy	40mm	50 - 110kg	HOLD020C	1

STRUT MOUNTS

Steel Strut Top	ISST017	2
-----------------	---------	---

TRIM PACKERS

5mm Strut Trim Packer	Nitro Gas / Foam Cell	HILFR05/HILFR05F	2
10mm Strut Trim Packer	Nitro Gas / Foam Cell	HILFR10/HILFR10F	2
15mm Strut Trim Packer	Nitro Gas / Foam Cell	HILFR15/HILFR15F	2

• ONLY Compatible with IRONMAN 4X4 Struts (except Pro), lift height subject to 2:1 motion ratio. Unnecessary fitment may lift vehicle too high

CONTROL ARMS

Pro-Forge Upper Control Arms	UCA041FAS-B	1
------------------------------	-------------	---



RG
2012 to 10/2016

GM / Holden Colorado

Product Description

Part No.

Qty Req

Please check vehicle date range (if shown) next to product description prior to ordering

REAR SUSPENSION

SHOCK ABSORBER

Nitro Gas - Comfort			12636GRC	2
Nitro Gas - Performance			12636GR	2
Nitro Gas - Professional			12636GRP	2
Foam Cell - Comfort			24636FEC	2
Foam Cell - Performance			24636FE	2
Foam Cell - Professional			24636FEP	2
Foam Cell Pro - Comfort			45636FEC	2
Foam Cell Pro - Performance			45636FE	2
Foam Cell Pro - Professional			45636FEP	2

LEAF SPRINGS

	Est. Lift	Additional Load		
Light	30mm	0 - 200kg	HOLD021A	2
Medium	45mm	0 - 300kg	HOLD021B	2
Heavy	45mm	300kg - 600kg	HOLD021C	2
Extra Heavy	45mm	600kg - GVM	HOLD021D	2

U-BOLTS

U-Bolt Kit			437UBKL	2
U-Bolt Kit	Suits HOLD021D		678UBK	2

POLYURETHANE SPRING BUSHES

Bush Kit			770UK	1
----------	--	--	--------------	---

GREASABLE SHACKLES AND PINS

Greasable Shackle			1148	2
Non-Greasable Pin			387-1	2

HELPER SPRINGS

Add-A-Leaf			ISL6010	1
------------	--	--	----------------	---

SUSPENSION KIT - Specify Front Coil Springs When Ordering

Light - Nitro Gas	HOLD021AKG
Light - Foam Cell	HOLD021AKF
Light - Foam Cell Pro	HOLD021AKP
Medium - Nitro Gas	HOLD021BKG
Medium - Foam Cell	HOLD021BKF
Medium - Foam Cell Pro	HOLD021BKP
Heavy - Nitro Gas	HOLD021CKG
Heavy - Foam Cell	HOLD021CKF
Heavy - Foam Cell Pro	HOLD021CKP
Extra Heavy - Nitro Gas	HOLD021DKG
Extra Heavy - Foam Cell	HOLD021DKF
Extra Heavy - Foam Cell Pro	HOLD021DKP

SUSPENSION KIT CONTENTS

Shock Absorbers	Coil Springs	Polyurethane Spring Bushes	Strut Shock Absorbers
Leaf Springs	U-Bolts	Brake Hose Relocation Kit	

OPTIONS AVAILABLE FOR THIS VEHICLE - SEE PAGE 385



GM / Holden Colorado

Low Ride 2WD
2012+

Product Description

Part No.

Qty
Req

Please check vehicle date range (if shown) next to product description prior to ordering

SUSPENSION TO SUIT GM / HOLDEN COLORADO - 2012+

FRONT SUSPENSION

SHOCK ABSORBER

Nitro Gas Strut - Performance			12797GR	2
-------------------------------	--	--	----------------	---

COIL SPRINGS

	Est. Lift	Additional Load		
Medium	35mm	0 - 50kg	TOY038B	1
Heavy	35mm	50 - 110kg	TOY038C	1

TRIM PACKERS

5mm Strut Trim Packer	Nitro Gas / Foam Cell	HILFR05/HILFR05F	2
10mm Strut Trim Packer	Nitro Gas / Foam Cell	HILFR10/HILFR10F	2
15mm Strut Trim Packer	Nitro Gas / Foam Cell	HILFR15/HILFR15F	2

• ONLY Compatible with IRONMAN 4X4 Struts (except Pro), lift height subject to 2:1 motion ratio. Unnecessary fitment may lift vehicle too high

REAR SUSPENSION

SHOCK ABSORBER

Nitro Gas - Comfort		12636GRC	2
Nitro Gas - Performance		12636GR	2
Nitro Gas - Professional		12636GRP	2
Foam Cell - Comfort		24636FEC	2
Foam Cell - Performance		24636FE	2
Foam Cell - Professional		24636FEP	2

LEAF SPRINGS

	Est. Lift	Additional Load		
Medium	45mm	0 - 300kg	HOLD023B	2
Heavy	45mm	300kg - 600kg	HOLD023C	2

U-BOLTS

U-Bolt Kit	417UBK	2
------------	---------------	---

POLYURETHANE SPRING BUSHES

Bush Kit	728UK	1
----------	--------------	---

GREASABLE SHACKLES AND PINS

Greasable Shackle	386-2	2
-------------------	--------------	---

HELPER SPRINGS

Add-A-Leaf	ISL6010	1
------------	----------------	---

SUSPENSION KIT - Specify Front Coil Springs When Ordering

Medium - Nitro Gas	HOLD023BKG
Heavy - Nitro Gas	HOLD023CKG

SUSPENSION KIT CONTENTS

Shock Absorbers	Coil Springs	Polyurethane Spring Bushes
Leaf Springs	U-Bolts	Strut Shock Absorbers



RC
7/2008 to 12/2012

ACCESSORIES AND SUSPENSION TO SUIT

GM / Holden Colorado

Product Description

Part No.

Qty
Req

Please check vehicle date range (if shown) next to product description prior to ordering

ACCESSORIES TO SUIT GM / HOLDEN COLORADO RC - 7/2008-12/2012

STEEL WINCH BULL BARS

Deluxe Bull Bar

BBCD027

• Can also be fitted to both 2WD and 4WD models.

STEEL SIDE STEPS AND RAILS - FITS DUAL CAB MODELS ONLY

Side Steps

SS001

Side Steps and Rails

SSR006

SNORKEL

Colorado RC 7/2008 to 12/2012

ISNORKEL028

BREATHER KIT

Universal Twin Manifold Filtered Breather Kit

IDIFFBRE

SUSPENSION TO SUIT GM / HOLDEN COLORADO RC - 2003-2012

FRONT SUSPENSION

SHOCK ABSORBER

Nitro Gas - Performance

12667GR

2

Foam Cell - Performance

24667FE

2

TORSION BAR

Uprated Torsion Bars

HOLD010

1

• Minimum 60mm downward suspension travel required after adjustment

REAR SUSPENSION

SHOCK ABSORBER

Nitro Gas - Comfort

12636GRC

2

Nitro Gas - Performance

12636GR

2

Nitro Gas - Professional

12636GRP

2

Foam Cell - Comfort

24636FEC

2

Foam Cell - Performance

24636FE

2

Foam Cell - Professional

24636FEP

2

LEAF SPRINGS

Medium

Est. Lift
40mm

Additional Load
0 - 300kg

HOLD006B

2

Heavy

40mm

300kg - 600kg

HOLD006C

2

Extra Heavy

40mm

600 kg - GVM

HOLD006D

2

U-BOLTS

U-Bolt Kit

417UBK

2

POLYURETHANE SPRING BUSHES

Bush Kit

728TUK

1

GREASABLE SHACKLES AND PINS

Greasable Shackle

386-2

2

Non-Greasable Pin

387-1

2

HELPER SPRINGS

Add-A-Leaf

ISL6010

1

• Load Plus not suitable for Rodeo / Colorado / D-Max with OEM springs due to interleaf liners

SUSPENSION KIT

Medium - Nitro Gas

HOLD006BKG

Medium - Foam Cell

HOLD006BKF

Heavy - Nitro Gas

HOLD006CKG

Heavy - Foam Cell

HOLD006CKF

Extra Heavy - Nitro Gas

HOLD006DKG

Extra Heavy - Foam Cell

HOLD006DKF

SUSPENSION KIT CONTENTS

Shock Absorbers

Torsion Bars

Polyurethane Spring Bushes

Leaf Springs

U-Bolts

GM / Holden Rodeo

RA7 - 2007 to 7/2008
RA/RA7 - 2003 to 2012



Product Description

Part No.

Qty
Req

Please check vehicle date range (if shown) next to product description prior to ordering

ACCESSORIES TO SUIT GM / HOLDEN RODEO RA7 - 2007-7/2008

STEEL WINCH BULL BARS

Deluxe Bull Bar	BBCD020	
-----------------	---------	--

• Can also be fitted to both 2WD and 4WD models.

STEEL SIDE STEPS AND RAILS - FITS DUAL CAB MODELS ONLY

Side Steps	SS001	
Side Steps and Rails	SSR006	

SNORKEL

LX and LT (Does not fit DX model)	ISNORKEL022	
-----------------------------------	-------------	--

BREATHER KIT

Universal Twin Manifold Filtered Breather Kit	IDIFFBRE	
---	----------	--

SUSPENSION TO SUIT GM / HOLDEN RODEO RA/RA7 - 2003-2012

FRONT SUSPENSION

SHOCK ABSORBER

Nitro Gas - Performance	12667GR	2
Foam Cell - Performance	24667FE	2

TORSION BAR

Up-rated Torsion Bars	HOLD010	1
-----------------------	---------	---

• Minimum 60mm downward suspension travel required after adjustment

REAR SUSPENSION

SHOCK ABSORBER

Nitro Gas - Comfort	12636GRC	2
Nitro Gas - Performance	12636GR	2
Nitro Gas - Professional	12636GRP	2
Foam Cell - Comfort	24636FEC	2
Foam Cell - Performance	24636FE	2
Foam Cell - Professional	24636FEP	2

LEAF SPRINGS

	Est. Lift	Additional Load		
Medium	40mm	0 - 300kg	HOLD006B	2
Heavy	40mm	300kg - 600kg	HOLD006C	2
Extra Heavy	40mm	600 kg - GVM	HOLD006D	2

U-BOLTS

U-Bolt Kit	417UBK	2
------------	--------	---

POLYURETHANE SPRING BUSHES

Bush Kit	728TUK	1
----------	--------	---

GREASABLE SHACKLES AND PINS

Greasable Shackle	386-2	2
Non-Greasable Pin	387-1	2

HELPER SPRINGS

Add-A-Leaf	ISL6010	1
------------	---------	---

• Load Plus not suitable for Rodeo / Colorado / D-Max with OEM springs due to interleaf liners

SUSPENSION KIT

Medium - Nitro Gas	HOLD006BKG
Medium - Foam Cell	HOLD006BKF
Heavy - Nitro Gas	HOLD006CKG
Heavy - Foam Cell	HOLD006CKF
Extra Heavy - Nitro Gas	HOLD006DKG
Extra Heavy - Foam Cell	HOLD006DKF

SUSPENSION KIT CONTENTS

Shock Absorbers	Torsion Bars	Polyurethane Spring Bushes
Leaf Springs	U-Bolts	



RA
2002 to 2006

GM / Holden Rodeo

Product Description

Part No.

Qty
Req

Please check vehicle date range (if shown) next to product description prior to ordering

ACCESSORIES TO SUIT GM / HOLDEN RODEO RA - 2002-2006

STEEL WINCH BULL BARS

Deluxe Bull Bar

BBCD003

• Can also be fitted to both 2WD and 4WD models.

STEEL SIDE STEPS AND RAILS - FITS DUAL CAB MODELS ONLY

Side Steps

SS001

Side Steps and Rails

SSR006

BREATHER KIT

Universal Twin Manifold Filtered Breather Kit

IDIFFBRE



KB - TFS
1988 to 3/2003

SUSPENSION TO SUIT

GM / Holden Rodeo

Product Description

Part No.

Qty
Req

Please check vehicle date range (if shown) next to product description prior to ordering

SUSPENSION TO SUIT GM / HOLDEN RODEO - 1988-3/2003

FRONT SUSPENSION

SHOCK ABSORBER

Nitro Gas - Performance

12643GR

2

TORSION BAR

Uprated Torsion Bars

HOLD005A

1

• Minimum 60mm downward suspension travel required after adjustment

REAR SUSPENSION

SHOCK ABSORBER

Nitro Gas - Comfort

12636GRC

2

Nitro Gas - Performance

12636GR

2

Nitro Gas - Professional

12636GRP

2

Foam Cell - Comfort

24636FEC

2

Foam Cell - Performance

24636FE

2

Foam Cell - Professional

24636FEP

2

LEAF SPRINGS

Medium - Drivers Side

Est. Lift

Additional Load

40mm

0 - 300kg

HOLD004BD/S

1

Medium - Near Side

40mm

0 - 300kg

HOLD004BN/S

1

Heavy - Drivers Side

40mm

300kg - GVM

HOLD004CD/S

1

Heavy - Near Side

40mm

300kg - GVM

HOLD004CN/S

1

U-BOLTS

U-Bolt Kit

415UBK

2

POLYURETHANE SPRING BUSHES

Bush Kit

728UK

1

GREASABLE SHACKLES AND PINS

Greaseable Shackle

386-2

2

Non-Greaseable Pin

387-1

2

HELPER SPRINGS

Load Plus Helper Springs

LP3

1

Add-A-Leaf

ISL6010

1

SUSPENSION KIT

Medium - Nitro Gas

HOLD004BKG2

Heavy - Nitro Gas

HOLD004CKG2

SUSPENSION KIT CONTENTS

Shock Absorbers

Torsion Bars

Polyurethane Spring Bushes

Leaf Springs

U-Bolts

GM / Holden Rodeo

KB - TF
1983 to 1988

Product Description

Part No.

Qty
Req

Please check vehicle date range (if shown) next to product description prior to ordering

SUSPENSION TO SUIT GM / HOLDEN RODEO - 1983-1988

FRONT SUSPENSION

SHOCK ABSORBER

Nitro Gas - Performance		12087GR	2
Foam Cell - Performance		24087FE	2

TORSION BAR

Up-rated Torsion Bars	Suits 1983 - 1988	MAZDA005	1
-----------------------	-------------------	-----------------	---

• Minimum 60mm downward suspension travel required after adjustment

REAR SUSPENSION

SHOCK ABSORBER

Nitro Gas - Comfort		12636GRC	2
Nitro Gas - Performance		12636GR	2
Nitro Gas - Professional		12636GRP	2
Foam Cell - Comfort		24636FEC	2
Foam Cell - Performance		24636FE	2
Foam Cell - Professional		24636FEP	2

LEAF SPRINGS

	Est. Lift	Additional Load		
Medium - Drivers Side	40mm	0 - 300kg	HOLD004BD/S	1
Medium - Near Side	40mm	0 - 300kg	HOLD004BN/S	1
Heavy - Drivers Side	40mm	300kg - GVM	HOLD004CD/S	1
Heavy - Near Side	40mm	300kg - GVM	HOLD004CN/S	1

U-BOLTS

U-Bolt Kit		451UBK	2
------------	--	---------------	---

POLYURETHANE SPRING BUSHES

Bush Kit		728UK	1
----------	--	--------------	---

GREASABLE SHACKLES AND PINS

Greasable Shackle		791	2
Greasable Pin		792	2

HELPER SPRINGS

Load Plus Helper Springs		LP3	1
Add-A-Leaf		ISL6010	1

SUSPENSION KIT

Medium - Nitro Gas		HOLD004BKG1
Medium - Foam Cell		HOLD004BKF1
Heavy - Nitro Gas		HOLD004CKG1
Heavy - Foam Cell		HOLD004CKF1

SUSPENSION KIT CONTENTS

Shock Absorbers	Torsion Bars	Polyurethane Spring Bushes
Leaf Springs	U-Bolts	



Cannon
9/2020+

Product Description

Part No.

Qty
Req

Please check vehicle date range (if shown) next to product description prior to ordering

ACCESSORIES TO SUIT GWM CANNON - 9/2020+

STEEL WINCH BULL BARS

Deluxe Bull Bar

BBCD083

Bull Bar Multi-Function Light Patch Loom

IBBPL083

• Winch with Steel Cable and Roller Fairlead is not suitable - Use Winch with Synthetic Rope and Alloy Hawse only

TOWING

Rear Protection Towbar - Full Rear Bumper Replacement

RTB083

SLIDE-AWAY ROLL UP HARD TONNEAU COVER

Electric with Remote Control

ISLIDEAWAY083-E

Sports Bar Adaptor

ISLIDEAWAY083-SBA

Sports Bar Adaptor - Suits Vanta Spec Model

ISLIDEAWAY083VNT-SBA

ATLAS ROOF RACK KITS

Crossbar (x 2) and Fit Kit - 1375mm Width

IFRK094

Platform G with Blade Fit Kit to Suit Slideaway Hard Tonneau Cover - 1390mm Length

IFRSLDAWAYPGK

Crossbar (x 2) and Fit Kit to Suit Slideaway Hard Tonneau Cover - 1650mm Width

IFRSLDAWAYC2K

• See Page 38-41 for more Atlas rack, crossbar and accessory options.

BREATHER KIT

Universal Twin Manifold Filtered Breather Kit

IDIFFBRE





Product Description

Part No.

Qty
Req

Please check vehicle date range (if shown) next to product description prior to ordering

SUSPENSION TO SUIT GWM CANNON - 9/2020+

FRONT SUSPENSION

SHOCK ABSORBER

Nitro Gas Strut - Performance			12853GR	2
Foam Cell Strut - Performance			24853FE	2
Foam Cell Pro Strut - Performance			45853FE	2

COIL SPRINGS

	Est. Lift	Additional Load		
Standard	10mm	0 - 50kg	TOY055A	1
Light	50mm	0 - 50kg	TOY055B	1
Medium	50mm	50 - 110kg	TOY055C	1

STRUT MOUNTS

Steel Strut Top			ISST083	2
-----------------	--	--	---------	---

TRIM PACKERS

5mm Strut Trim Packer	Nitro Gas / Foam Cell		HILFR05/HILFR05F	2
10mm Strut Trim Packer	Nitro Gas / Foam Cell		HILFR10/HILFR10F	2
15mm Strut Trim Packer	Nitro Gas / Foam Cell		HILFR15/HILFR15F	2

• ONLY Compatible with IRONMAN 4X4 Struts (except Pro), lift height subject to 2:1 motion ratio. Unnecessary fitment may lift vehicle too high

CONTROL ARMS

Pro-Forge Upper Control Arms			UCA001FAS-B	1
------------------------------	--	--	-------------	---

REAR SUSPENSION

SHOCK ABSORBER

Nitro Gas - Comfort			12095GRC	2
Nitro Gas - Performance			12095GR	2
Foam Cell - Comfort			24095FEC	2
Foam Cell - Performance			24095FE	2
Foam Cell - Professional			24095FEP	2
Foam Cell Pro - Comfort			45095FEC	2
Foam Cell Pro - Performance			45095FE	2
Foam Cell Pro - Professional			45095FEP	2

LEAF SPRINGS

	Est. Lift	Additional Load		
Light	40mm	0 - 200kg	FOR002A	2
Medium	50mm	0 - 300kg	FOR002B	2
Heavy	50mm	300kg - GVM	FOR002C	2

• Possible driveline vibration may occur due to increased ride height, use 1217K to reduce vibration to satisfactory level

U-BOLTS

U-Bolt Kit			1107UBK	2
------------	--	--	---------	---

POLYURETHANE SPRING BUSHES

Bush Kit			1195UK	1
----------	--	--	--------	---

DRIVELINE SPACERS

Centre Bearing Spacer Kit			1217K	1
---------------------------	--	--	-------	---

GREASABLE SHACKLES AND PINS

Greasable Shackle			1147	2
Non-Greasable Pin			387-1	2

HELPER SPRINGS

Load Plus Helper Springs			LP3	1
Add-A-Leaf			ISL6010	1

SUSPENSION KIT - Specify Front Coil Springs When Ordering

Light - Nitro Gas			GWM002AKG
Light - Foam Cell			GWM002AKF
Light - Foam Cell Pro			GWM002AKP
Medium - Nitro Gas			GWM002BKG
Medium - Foam Cell			GWM002BKF
Medium - Foam Cell Pro			GWM002BKP
Heavy - Nitro Gas			GWM002CKG
Heavy - Foam Cell			GWM002CKF
Heavy - Foam Cell Pro			GWM002CKP

• Possible driveline vibration may occur due to increased ride height, use 1217K to reduce vibration to satisfactory level

SUSPENSION KIT CONTENTS

Shock Absorbers	Coil Springs	U-Bolts	Centre Bearing Spacer Kit
Strut Shock Absorbers	Leaf Springs	Polyurethane Spring Bushes	



Tank 300
2023+

Product Description

Part No.

Qty
Req

Please check vehicle date range (if shown) next to product description prior to ordering

ACCESSORIES TO SUIT GWM TANK 300 - 2023 +

STEEL WINCH BULL BARS

Raid Bull Bar - Includes Integrated Recovery Points

BBR100

Raid Bull Bar Kit*

BBR100K

Driving Light / Lightbar Patch Loom

IPLS100

120W Bright Sabre Single Row Lightbar 812mm (32") Straight to suit Raid Bull Bar

ILBSR002BW

1

• *Raid Bull Bars are compatible with IRONMAN 4X4 Lightbars and 20W Cube Lights, refer page 29-33 for available options*

• *Winch with Steel Cable and Roller Fairlead is not suitable - Use Winch with Synthetic Rope and Alloy Hawse only*

BREATHER KIT

Universal Twin Manifold Filtered Breather Kit

IDIFFBRE

BULL BAR KIT* CONTENTS

Raid Bull Bar

Patch Loom

Driving Light Loom

Cube Light Adaptor

Lightbar

Cube Lights (4)



Outback Tested

{IRONMAN}
4X4

Haval H9

Wagon 2.0L Petrol
8/2017+

Product Description

Part No.

Qty
Req*Please check vehicle date range (if shown) next to product description prior to ordering***SUSPENSION TO SUIT HAVAL H9 - 8/2017+****FRONT SUSPENSION****SHOCK ABSORBER**

Nitro Gas Strut - Performance			12710GR	2
Foam Cell Strut - Performance			24710FE	2

COIL SPRINGS

	Est. Lift	Additional Load		
Medium	40mm	0 - 50kg	TOY055C	1
Heavy	40mm	50 - 110kg	TOY065B	1

STRUT MOUNTS

Steel Strut Top			ISS001	2
-----------------	--	--	---------------	---

TRIM PACKERS

5mm Strut Trim Packer	Nitro Gas / Foam Cell	HILFR05/HILFR05F	2
10mm Strut Trim Packer	Nitro Gas / Foam Cell	HILFR10/HILFR10F	2
15mm Strut Trim Packer	Nitro Gas / Foam Cell	HILFR15/HILFR15F	2

• ONLY Compatible with IRONMAN 4X4 Struts (except Pro), lift height subject to 2:1 motion ratio. Unnecessary fitment may lift vehicle too high

REAR SUSPENSION**SHOCK ABSORBER**

Nitro Gas - Performance			12804GR	2
Foam Cell - Performance			24804FE	2

COIL SPRINGS

	Est. Lift	Additional Load		
Medium	40mm	0 - 200kg	TOY056A	1
Heavy	40mm	200 - 400kg	TOY056B	1
Extra Heavy	40mm	400kg - GVM	TOY056C	1

SUSPENSION KIT - Specify Front Coil Springs When Ordering

Medium - Nitro Gas	TOY056AKG
Medium - Foam Cell	TOY056AKF
Heavy - Nitro Gas	TOY056BKG
Heavy - Foam Cell	TOY056BKF
Extra Heavy - Nitro Gas	TOY056CKG
Extra Heavy - Foam Cell	TOY056CKF

SUSPENSION KIT CONTENTS

Shock Absorbers	Strut Shock Absorbers	Coil Springs
-----------------	-----------------------	--------------

Hyundai Terracan

2001+



Product Description

Part No.

Qty
Req

Please check vehicle date range (if shown) next to product description prior to ordering

SUSPENSION TO SUIT HYUNDAI TERRACAN - 2001+

FRONT SUSPENSION

SHOCK ABSORBER

Nitro Gas - Performance	12087GR	2
Foam Cell - Performance	24087FE	2

TORSION BAR

Up-rated Torsion Bars	HYUND004	1
-----------------------	-----------------	---

• Minimum 60mm downward suspension travel required after adjustment

REAR SUSPENSION

SHOCK ABSORBER

Nitro Gas - Comfort	12637GRC	2
Nitro Gas - Performance	12637GR	2

COIL SPRINGS

	Est. Lift	Additional Load		
Medium	40mm	0 - 300kg	HYUND003B	1

DIFF BREATHER EXTENDED

Breather Hose	DHOSE350	1
---------------	-----------------	---

SUSPENSION KIT

Medium - Nitro Gas	HYUND003BKG
--------------------	--------------------

SUSPENSION KIT CONTENTS

Shock Absorbers	Torsion Bar
Coil Springs	Extended Breather Hose

Isuzu D-Max

2024+ (Facelift)

Product Description

Part No.

Qty
Req*Please check vehicle date range (if shown) next to product description prior to ordering***ACCESSORIES TO SUIT ISUZU D-MAX - 2024+****STEEL WINCH BULL BARS**

Commercial Bull Bar	BBC124	
Deluxe Bull Bar	BBCD124	
Raid Bull Bar - Includes Integrated Recovery Points	BBR124	
Raid Bull Bar Kit*	BBR124K	
Bull Bar Multi-Function Light Patch Loom	IBBPL074	
Driving Light / Lightbar Patch Loom	IPLS074	
Driving Light / Lightbar Patch Loom - Factory LED Headlight models only - <i>While Stocks Last</i>	IPL074	
Load Resistor Kit with Mounting Brackets for Indicator / Parker Replacement	LR12V21W	
120W Bright Sabre Single Row Lightbar 812mm (32") Straight to suit Raid Bull Bar	ILBSR002BW	1
<ul style="list-style-type: none"> Raid Bull Bars are compatible with IRONMAN 4X4 Lightbars and 20W Cube Lights, refer page 29-33 for available options *Hidden Winch Control Box Mount (WWBCP001) sold separately Winch with Steel Cable and Roller Fairlead is not suitable - Use Winch with Synthetic Rope and Alloy Hawse only 		

STEEL SIDE STEPS AND RAILS - DUAL AND SINGLE CAB ONLY

Side Steps - Dimple Step Design	SS074-D
Side Rails	SS074 RAIL
Side Steps and Rails - Dimple Step Design	SSR074-D

RECOVERY POINTS - IRONMAN 4X4 BULL BAR ONLY

Recovery Points (Pair)	IRP074
------------------------	--------

SNORKEL

D-Max 8/2019+	ISNORKEL074
---------------	-------------

PREMIUM UNDERBODY PROTECTION

Engine Bay and Transmission - Electric Steering Model	UBP074S
Engine Bay and Transmission - Non-Electric Steering Model	UBP074

ATLAS DUAL CAB ROOF RACK KITS

Platform A with Blade Fit Kit (Dual Cab Only) - 1530mm Length	IFR074PAK
Crossbar (x 2) and Fit Kit (Dual Cab X-Terrain Only) - 1250mm Width	IFR074C2K
Platform K with Leg Fit Kit to Suit Pinnacle 2 Canopy - 1390mm Length	IFRP2PKK
Crossbar (x 2) and Fit Kit to Suit Pinnacle 2 Canopy - 1250mm Width	IFRP2C125K
<ul style="list-style-type: none"> See Page 38-41 for more Atlas rack, crossbar and accessory options. 	

FLOOR MATS

Moulded Fit TPO Floor Mats - Front and Rear Set	FLMT074-RHD-2ROW
---	------------------

SEAT COVER

Airbag Compatible Fabric Seat Covers - Front	SC074-CC-1R-A
Airbag Compatible Fabric Seat Covers - Rear	SC074-CC-2R-A

SUN SHADE

Vehicle Specific Sun Screen Shade - Front	SUNSHD074
---	-----------

BREATHER KIT

Universal Twin Manifold Filtered Breather Kit	IDIFFBRE
---	----------

BULL BAR KIT* CONTENTS

Raid Bull Bar	Patch Loom (2)	Strip Lights (4)	Driving Light Loom	Cube Light Adaptor	Lightbar	Cube Lights (2)
---------------	----------------	------------------	--------------------	--------------------	----------	-----------------

Isuzu D-Max

2023 (Facelift)
8/2019 to 2022



Product Description

Part No.

Qty
Req

Please check vehicle date range (if shown) next to product description prior to ordering

ACCESSORIES TO SUIT ISUZU D-MAX - 8/2019 TO 2023

STEEL WINCH BULL BARS

Commercial Bull Bull Bar	BBC074	
Deluxe Bull Bar	BBCD074	
Raid Bull Bar* - Includes Integrated Recovery Points (Not compatible with 2023 Facelift model)	BBR074	
Raid Bull Bar Kit*	BBR074K	
Proguard No Loop Bull Bar	BBT074-NL	
Proguard Single Loop Kit	BB074-SL	
Proguard Triple Loop Kit	BB074-TL	
Bull Bar Multi-Function Light Patch Loom	IBBPL074	
Driving Light / Lightbar Patch Loom	IPLS074	
Driving Light / Lightbar Patch Loom - Factory LED Headlight models only - <i>While Stocks Last</i>	IPL074	
Load Resistor Kit with Mounting Brackets for Indicator / Parker Replacement	LR12V21W	
120W Bright Sabre Single Row Lightbar 812mm (32") Straight to suit Raid Bull Bar	ILBSR002BW	1
<ul style="list-style-type: none"> * Raid Bull Bars are compatible with IRONMAN 4X4 Lightbars and 20W Cube Lights, refer page 29-33 for available options * Hidden Winch Control Box Mount (WWBCP001) sold separately * Winch with Steel Cable and Roller Fairlead is not suitable - Use Winch with Synthetic Rope and Alloy Hawse only 		

STEEL SIDE STEPS AND RAILS - DUAL AND SINGLE CAB ONLY

Side Steps - Dimple Step Design	SS074-D	
Side Rails	SS074 RAIL	
Side Steps and Rails - Dimple Step Design	SSR074-D	

TOWING

Class 4 Towbar - Suits models without factory step bumper	TB074	
Class 4 Towbar - Suits models with factory step bumper	TB080	
Rear Protection Towbar (Suits X-Terrain 8/2019 to 2022 model only)	RTB074	
Towbar Wiring Loom - Plug and Play	ITBL074	

RECOVERY POINTS - IRONMAN 4X4 BULL BAR ONLY

Recovery Points (Pair)	IRP074	
------------------------	--------	--

SNORKEL

D-Max 8/2019+	ISNORKEL074	
---------------	-------------	--

PREMIUM UNDERBODY PROTECTION

Engine Bay and Transmission - Electric Steering Model	UBP074S	
Engine Bay and Transmission - Non-Electric Steering Model	UBP074	



2023 (Facelift)
8/2019 to 2022

Isuzu D-Max

Product Description

Part No.

Qty
Req

Please check vehicle date range (if shown) next to product description prior to ordering

CANOPY - PINNACLE 2 FIBREGLASS (SIDE LIFT UP WINDOWS AND CENTRAL LOCKING REAR DOOR) - FITS 4X4 AND 4X2 DUAL CAB MODELS

Pre-Primed	ICANOPY074-P
Basalt Black (569)	ICANOPY074-B
Galena Grey (563)	ICANOPY074-GG
Obsidian Grey (554)	ICANOPY074-OG
Mercury Silver (568)	ICANOPY074-S
Splash White (527)	ICANOPY074-W

** Pre-primed canopies, plus colour coding.*

SLIDE-AWAY ROLL UP HARD TONNEAU COVER

Electric with Remote Control	ISLIDEAWAY074-E
------------------------------	-----------------

ATLAS DUAL CAB ROOF RACK KITS

Platform A with Blade Fit Kit (Dual Cab Only) - 1530mm Length	IFR074PAK
Crossbar (x 2) and Fit Kit (Dual Cab X-Terrain Only) - 1250mm Width	IFR074C2K
Platform K with Leg Fit Kit to Suit Pinnacle 2 Canopy - 1390mm Length	IFRP2PKK
Crossbar (x 2) and Fit Kit to Suit Pinnacle 2 Canopy - 1250mm Width	IFRP2C125K
Platform G with Blade Fit Kit to Suit Slideaway Hard Tonneau Cover - 1390mm Length	IFRSLDAWAYPGK
Crossbar (x 2) and Fit Kit to Suit Slideaway Hard Tonneau Cover - 1650mm Width	IFRSLDAWAYC2K

• See Page 38-41 for more Atlas rack, crossbar and accessory options.

FENDER FLARE KITS

Matte Black Smooth Finish V-Cross 6" (Suits Dual Cab Only)	IFF6074
--	---------

• Some flares may not be compatible if side rails/brush bars are fitted. Some flares may require slight trimming if snorkel is installed.

FLOOR MATS

Moulded Fit TPO Floor Mats - Front and Rear Set	FLMT074-RHD-2ROW
---	------------------

SEAT COVER

Airbag Compatible Fabric Seat Covers - Front	SC074-CC-1R-A
Airbag Compatible Fabric Seat Covers - Rear	SC074-CC-2R-A

SUN SHADE

Vehicle Specific Sun Screen Shade - Front	SUNSHD074
---	-----------

BREATHER KIT

Universal Twin Manifold Filtered Breather Kit	IDIFFBRE
---	----------

BULL BAR KIT* CONTENTS

Raid Bull Bar	Patch Loom (2)	Strip Lights (4)	Driving Light Loom	Cube Light Adaptor	Lightbar	Cube Lights (2)
---------------	----------------	------------------	--------------------	--------------------	----------	-----------------

LISTING
CONTINUED
OVER THE
PAGE

Isuzu D-Max

2023+ (Facelift)
8/2019 to 2022

Product Description

Part No.

Qty
Req

Please check vehicle date range (if shown) next to product description prior to ordering

SUSPENSION TO SUIT ISUZU D-MAX - 8/2019+

FRONT SUSPENSION

SHOCK ABSORBER

Nitro Gas Strut - Performance			12845GR	2
Foam Cell Strut - Performance			24845FE	2
Foam Cell Pro Strut - Performance			45845FE	2

COIL SPRINGS

	Est. Lift	Additional Load		
Standard	0mm	0 - 50kg	HOLD020S	1
Light	30mm	0 - 50kg	HOLD020A	1
Medium	40mm	0 - 50kg	HOLD020B	1
Heavy	40mm	50 - 110kg	HOLD020C	1

STRUT MOUNTS

Steel Strut Top			ISST017	2
-----------------	--	--	----------------	---

TRIM PACKERS

5mm Strut Trim Packer	Nitro Gas / Foam Cell	HILFR05/HILFR05F	2
10mm Strut Trim Packer	Nitro Gas / Foam Cell	HILFR10/HILFR10F	2
15mm Strut Trim Packer	Nitro Gas / Foam Cell	HILFR15/HILFR15F	2

• ONLY Compatible with IRONMAN 4X4 Struts (except Pro), lift height subject to 2:1 motion ratio. Unnecessary fitment may lift vehicle too high

CONTROL ARMS

Pro-Forge Upper Control Arms		UCA074FA-B	1
------------------------------	--	-------------------	---

REAR SUSPENSION

SHOCK ABSORBER

Nitro Gas - Comfort			12698GRC	2
Nitro Gas - Performance			12698GR	2
Nitro Gas - Professional			12698GRP	2
Foam Cell - Comfort			24698FEC	2
Foam Cell - Performance			24698FE	2
Foam Cell - Professional			24698FEP	2
Foam Cell Pro - Comfort			45698FEC	2
Foam Cell Pro - Performance			45698FE	2
Foam Cell Pro - Professional			45698FEP	2

LEAF SPRINGS

	Est. Lift	Additional Load		
Light	30mm	0 - 200kg	HOLD021A	2
Medium	45mm	0 - 300kg	HOLD021B	2
Heavy	45mm	300kg - 600kg	HOLD021C	2
Extra Heavy	45mm	600kg - GVM	HOLD021D	2

U-BOLTS

U-Bolt Kit			437UBKL	2
U-Bolt Kit	Suits HOLD021D		678UBK	2

POLYURETHANE SPRING BUSHES

Bush Kit		770UK	1
----------	--	--------------	---

SPACER KIT

Brake Hose Relocation Kit		1152K	1
---------------------------	--	--------------	---

GREASABLE SHACKLES AND PINS

Greasable Shackle		1156	2
Non-Greasable Pin		387-1	2

HELPER SPRINGS

Add-A-Leaf		ISL6010	1
------------	--	----------------	---



2023+ (Facelift)
8/2019 to 2022

SUSPENSION TO SUIT

Isuzu D-Max

Product Description

Part No.

Qty
Req

Please check vehicle date range (if shown) next to product description prior to ordering

SUSPENSION KIT - Specify Front Coil Springs When Ordering

Light - Nitro Gas	HOLD021AKG3
Light - Foam Cell	HOLD021AKF3
Light - Foam Cell Pro	HOLD021AKP3
Medium - Nitro Gas	HOLD021BKG3
Medium - Foam Cell	HOLD021BKF3
Medium - Foam Cell Pro	HOLD021BKP3
Heavy - Nitro Gas	HOLD021CKG3
Heavy - Foam Cell	HOLD021CKF3
Heavy - Foam Cell Pro	HOLD021CKP3
Extra Heavy - Nitro Gas	HOLD021DKG3
Extra Heavy - Foam Cell	HOLD021DKF3
Extra Heavy - Foam Cell Pro	HOLD021DKP3

SUSPENSION KIT CONTENTS

Shock Absorbers	Coil Springs	Polyurethane Spring Bushes	Brake Hose Relocation Kit
Strut Shock Absorbers	Leaf Springs	U-Bolts	

OPTIONS AVAILABLE FOR THIS VEHICLE - SEE PAGE 386





Product Description

Part No.

Qty
Req

Please check vehicle date range (if shown) next to product description prior to ordering

ACCESSORIES TO SUIT ISUZU D-MAX - 2/2017-7/2019

STEEL WINCH BULL BARS (WILL NOT FIT NARROW BODY)

Commercial Bull Bar	BBC058
Deluxe Bull Bar	BBCD058
Proguard No Loop Bull Bar	BBT058-NL
Proguard Single Loop Kit	BB058-SL
Proguard Triple Loop Kit	BB058-TL
Driving Light / Lightbar Patch Loom - Factory LED Headlight models only - <i>While Stocks Last</i>	IPL058

• Can also be fitted to both 2WD and 4WD models.

STEEL SIDE STEPS AND RAILS - FITS DUAL, SPACE AND SINGLE CAB MODELS

Side Steps	SS057
Side Steps - Dimple Step Design	SS057-D
Side Rails	SS057 RAIL
Side Steps and Rails	SSR057
Side Steps and Rails - Dimple Step Design	SSR057-D

TOWING

Class 4 Towbar - Compatible with Factory Rear Bumper	TB041
Rear Protection Towbar - Full Rear Bumper Replacement	RTB041
Rear Protection Towbar Plates (Pair)	RTBPLATE002
Towbar Wiring Loom - Plug and Play	ITBL041

RECOVERY POINTS - IRONMAN 4X4 BULL BAR ONLY

Recovery Points - 5000kg rating (Pair)	IRP058
--	--------

SNORKEL

3.0L Turbo Diesel	ISNORKEL041
-------------------	-------------

LONG RANGE FUEL TANK

145L* Diesel only - Fits Dual Cab Automatic Transmission only	TANK057
---	---------

* Usable volume may differ to the stated tank capacity

PREMIUM UNDERBODY PROTECTION

Engine Bay and Transmission	UBP041
-----------------------------	--------

CANOPY - ABS PLASTIC (SIDE LIFT UP WINDOWS AND CENTRAL LOCKING REAR DOOR) - FITS 4X4 AND 4X2 DUAL CAB MODELS

Pre-Primed	CANOPY020-P
Blue (565)	CANOPY020-B
Graphite (563)	CANOPY020-GG
Cosmic Black (523)	CANOPY020-CB
ABS Canopy Rack Feet	IRRFETABS14

• See Page 38 for 1.4m Roof Rack options and pricing.

* Pre-primed canopies, plus colour coding.

FENDER FLARE KITS

Matte Black Smooth Finish 6" (Suits Dual Cab Only)	IFF6058
--	---------

• Some flares may not be compatible if side rails/brush bars are fitted. Some flares may require slight trimming if snorkel is installed.

BREATHER KIT

Universal Twin Manifold Filtered Breather Kit	IDIFFBRE
---	----------



2016 to 7/2019

Isuzu D-Max

Product Description

Part No.

Qty
Req*Please check vehicle date range (if shown) next to product description prior to ordering***SUSPENSION TO SUIT ISUZU D-MAX - 2016-7/2019****FRONT SUSPENSION****SHOCK ABSORBER**

Nitro Gas Strut - Performance			12745GR	2
Foam Cell Strut - Performance			24745FE	2
Foam Cell Pro Strut - Performance			45745FE	2

COIL SPRINGS

	Est. Lift	Additional Load		
Medium	40mm	0 - 50kg	HOLD020A	1
Heavy	40mm	50 - 110kg	HOLD020B	1

STRUT MOUNTS

Steel Strut Top			ISST017	2
-----------------	--	--	----------------	---

TRIM PACKERS

5mm Strut Trim Packer		Nitro Gas / Foam Cell	HILFR05/HILFR05F	2
10mm Strut Trim Packer		Nitro Gas / Foam Cell	HILFR10/HILFR10F	2
15mm Strut Trim Packer		Nitro Gas / Foam Cell	HILFR15/HILFR15F	2

• ONLY Compatible with IRONMAN 4X4 Struts (except Pro), lift height subject to 2:1 motion ratio. Unnecessary fitment may lift vehicle too high

CONTROL ARMS

Pro-Forge Upper Control Arms			UCA041FAS-B	1
------------------------------	--	--	--------------------	---

REAR SUSPENSION**SHOCK ABSORBER**

Nitro Gas - Comfort			12636GRC	2
Nitro Gas - Performance			12636GR	2
Nitro Gas - Professional			12636GRP	2
Foam Cell - Comfort			24636FEC	2
Foam Cell - Performance			24636FE	2
Foam Cell - Professional			24636FEP	2
Foam Cell Pro - Comfort			45636FEC	2
Foam Cell Pro - Performance			45636FE	2
Foam Cell Pro - Professional			45636FEP	2

LEAF SPRINGS

	Est. Lift	Additional Load		
Light	30mm	0 - 200kg	HOLD021A	2
Medium	45mm	0 - 300kg	HOLD021B	2
Heavy	45mm	300kg - 600kg	HOLD021C	2
Extra Heavy	45mm	600kg - GVM	HOLD021D	2

U-BOLTS

U-Bolt Kit			437UBKL	2
U-Bolt Kit		Suits HOLD021D	678UBK	2

POLYURETHANE SPRING BUSHES

Bush Kit			770UK	1
----------	--	--	--------------	---

SPACER KIT

Brake Hose Relocation Kit			1152K	1
Tailshaft Spacer			ITSS021	1

GREASABLE SHACKLES AND PINS

Greasable Shackle			1148	2
Non-Greasable Pin			387-1	2

HELPER SPRINGS

Add-A-Leaf			ISL6010	1
------------	--	--	----------------	---



Isuzu D-Max

2016 to 7/2019



Product Description

Part No.

Qty
Req

Please check vehicle date range (if shown) next to product description prior to ordering

SUSPENSION KIT - Specify Front Coil Springs When Ordering

Light - Nitro Gas	HOLD021AKG1
Light - Foam Cell	HOLD021AKF1
Light - Foam Cell Pro	HOLD021AKP1
Medium - Nitro Gas	HOLD021BKG1
Medium - Foam Cell	HOLD021BKF1
Medium - Foam Cell Pro	HOLD021BKP1
Heavy - Nitro Gas	HOLD021CKG1
Heavy - Foam Cell	HOLD021CKF1
Heavy - Foam Cell Pro	HOLD021CKP1
Extra Heavy - Nitro Gas	HOLD021DKG1
Extra Heavy - Foam Cell	HOLD021DKF1
Extra Heavy - Foam Cell Pro	HOLD021DKP1

SUSPENSION KIT CONTENTS

Shock Absorbers	Coil Springs	U-Bolts	Brake Hose Relocation Kit
Strut Shock Absorbers	Leaf Springs	Polyurethane Spring Bushes	

OPTIONS AVAILABLE FOR THIS VEHICLE - SEE PAGE 387





6/2012 to 1/2017

Isuzu D-Max

Product Description

Part No.

Qty
Req

Please check vehicle date range (if shown) next to product description prior to ordering

ACCESSORIES TO SUIT ISUZU D-MAX - 6/2012-1/2017

STEEL WINCH BULL BARS - WILL NOT FIT NARROW BODY

Commercial Bull Bar	BBC041
Deluxe Bull Bar	BBCD041
Driving Light / Lightbar Patch Loom - Factory LED Headlight models only - <i>While Stocks Last</i>	IPL058
• Can also be fitted to both 2WD and 4WD models.	

STEEL SIDE STEPS AND RAILS

Side Steps	SS057
Side Steps - Dimple Step Design	SS057-D
Side Rails	SS057 RAIL
Side Steps and Rails	SSR057
Side Steps and Rails - Dimple Step Design	SSR057-D

TOWING

Class 4 Towbar - Compatible with Factory Rear Bumper	TB041
Rear Protection Towbar - Full Rear Bumper Replacement	RTB041
Rear Protection Towbar Plates (Pair)	RTBPLATE002
Towbar Wiring Loom - Plug and Play	ITBL041

RECOVERY POINTS - IRONMAN 4X4 BULL BAR ONLY

Recovery Points - 5000kg Rating (Pair)	IRP058
--	--------

SNORKEL

3.0L Turbo Diesel	ISNORKEL041
-------------------	-------------

LONG RANGE FUEL TANK

145L* Diesel only - Fits Dual Cab Automatic Transmission only	TANK057
* Usable volume may differ to the stated tank capacity	

PREMIUM UNDERBODY PROTECTION

Engine Bay and Transmission	UBP041
-----------------------------	--------

CANOPY ABS PLASTIC (SIDE LIFT UP WINDOWS) - FITS 4X4 AND 4X2 DUAL CAB MODELS

Pre-Primed	CANOPY020-P
ABS Canopy Rack Feet	IRRFEETABS14
• See Page 38 for 1.4m Roof Rack options and pricing.	
* Pre-primed canopies, plus colour coding.	

FENDER FLARE KITS

Matte Black Smooth Finish 6" (Suits Dual Cab Only)	IFF6041
• Some flares may not be compatible if side rails/brush bars are fitted. Some flares may require slight trimming if snorkel is installed.	

BREATHER KIT

Universal Twin Manifold Filtered Breather Kit	IDIFFBRE
---	----------





Product Description

Part No.

Qty
Req

Please check vehicle date range (if shown) next to product description prior to ordering

SUSPENSION TO SUIT ISUZU D-MAX - 6/2012-1/2017

FRONT SUSPENSION

SHOCK ABSORBER

Nitro Gas Strut - Performance			12745GR	2
Foam Cell Strut - Performance			24745FE	2
Foam Cell Pro Strut - Performance			45745FE	2

COIL SPRINGS

	Est. Lift	Additional Load		
Standard	0mm	0 - 50kg	HOLD020S	1
Light	30mm	0 - 50kg	HOLD020A	1
Medium	40mm	0 - 50kg	HOLD020B	1
Heavy	40mm	50 - 110kg	HOLD020C	1

STRUT MOUNTS

Steel Strut Top			ISST017	2
-----------------	--	--	---------	---

TRIM PACKERS

5mm Strut Trim Packer	Nitro Gas / Foam Cell	HILFR05/HILFR05F	2
10mm Strut Trim Packer	Nitro Gas / Foam Cell	HILFR10/HILFR10F	2
15mm Strut Trim Packer	Nitro Gas / Foam Cell	HILFR15/HILFR15F	2

• ONLY Compatible with IRONMAN 4X4 Struts (except Pro), lift height subject to 2:1 motion ratio. Unnecessary fitment may lift vehicle too high

CONTROL ARMS

Pro-Forge Upper Control Arms			UCA041FAS-B	1
------------------------------	--	--	-------------	---

REAR SUSPENSION

SHOCK ABSORBER

Nitro Gas - Comfort			12636GRC	2
Nitro Gas - Performance			12636GR	2
Nitro Gas - Professional			12636GRP	2
Foam Cell - Comfort			24636FEC	2
Foam Cell - Performance			24636FE	2
Foam Cell - Professional			24636FEP	2
Foam Cell Pro - Comfort			45636FEC	2
Foam Cell Pro - Performance			45636FE	2
Foam Cell Pro - Professional			45636FEP	2

LEAF SPRINGS

	Est. Lift	Additional Load		
Light	30mm	0 - 200kg	HOLD021A	2
Medium	45mm	0 - 300kg	HOLD021B	2
Heavy	45mm	300kg - 600kg	HOLD021C	2
Extra Heavy	45mm	600kg - GVM	HOLD021D	2

U-BOLTS

U-Bolt Kit			437UBKL	2
U-Bolt Kit	Suits HOLD021D		678UBK	2

POLYURETHANE SPRING BUSHES

Bush Kit			770UK	1
----------	--	--	-------	---

SPACER KIT

Brake Hose Relocation Kit			1152K	1
Tailshaft Spacer			ITSS021	1

GREASABLE SHACKLES AND PINS

Greasable Shackle			1148	2
Non-Greasable Pin			387-1	2

HELPER SPRINGS

Add-A-Leaf			ISL6010	1
------------	--	--	---------	---



6/2012 to 1/2017

SUSPENSION TO SUIT

Isuzu D-Max

Product Description

Part No.

Qty
Req

Please check vehicle date range (if shown) next to product description prior to ordering

SUSPENSION KIT - Specify Front Coil Springs When Ordering

Light - Nitro Gas	HOLD021AKG
Light - Foam Cell	HOLD021AKF
Light - Foam Cell Pro	HOLD021AKP
Medium - Nitro Gas	HOLD021BKG
Medium - Foam Cell	HOLD021BKF
Medium - Foam Cell Pro	HOLD021BKP
Heavy - Nitro Gas	HOLD021CKG
Heavy - Foam Cell	HOLD021CKF
Heavy - Foam Cell Pro	HOLD021CKP
Extra Heavy - Nitro Gas	HOLD021DKG
Extra Heavy - Foam Cell	HOLD021DKF
Extra Heavy - Foam Cell Pro	HOLD021DKP

SUSPENSION KIT CONTENTS

Shock Absorbers	Coil Springs	U-Bolts	Brake Hose Relocation Kit
Strut Shock Absorbers	Leaf Springs	Polyurethane Spring Bushes	

OPTIONS AVAILABLE FOR THIS VEHICLE - SEE PAGE 387



Isuzu D-Max

Low Ride 2WD
2012+

Product Description

Part No.

Qty
Req

Please check vehicle date range (if shown) next to product description prior to ordering

SUSPENSION TO SUIT ISUZU D-MAX - 2012+

FRONT SUSPENSION

SHOCK ABSORBER

Nitro Gas Strut - Performance			12797GR	2
-------------------------------	--	--	----------------	---

COIL SPRINGS

	Est. Lift	Additional Load		
Medium	35mm	0 - 50kg	TOY038B	1
Heavy	35mm	50 - 110kg	TOY038C	1

TRIM PACKERS

5mm Strut Trim Packer	Nitro Gas / Foam Cell	HILFR05/HILFR05F	2
10mm Strut Trim Packer	Nitro Gas / Foam Cell	HILFR10/HILFR10F	2
15mm Strut Trim Packer	Nitro Gas / Foam Cell	HILFR15/HILFR15F	2

• ONLY Compatible with IRONMAN 4X4 Struts (except Pro), lift height subject to 2:1 motion ratio. Unnecessary fitment may lift vehicle too high

REAR SUSPENSION

SHOCK ABSORBER

Nitro Gas - Comfort		12636GRC	2
Nitro Gas - Performance		12636GR	2
Nitro Gas - Professional		12636GRP	2
Foam Cell - Comfort		24636FEC	2
Foam Cell - Performance		24636FE	2
Foam Cell - Professional		24636FEP	2

LEAF SPRINGS

	Est. Lift	Additional Load		
Medium	45mm	0 - 300kg	HOLD023B	2
Heavy	45mm	300kg - 600kg	HOLD023C	2

U-BOLTS

U-Bolt Kit	417UBK	2
------------	---------------	---

POLYURETHANE SPRING BUSHES

Bush Kit	728UK	1
----------	--------------	---

GREASABLE SHACKLES AND PINS

Greasable Shackle	386-2	2
-------------------	--------------	---

HELPER SPRINGS

Add-A-Leaf	ISL6010	1
------------	----------------	---

SUSPENSION KIT - Specify Front Coil Springs When Ordering

Medium - Nitro Gas	HOLD023BKG
Heavy - Nitro Gas	HOLD023CKG

SUSPENSION KIT CONTENTS

Shock Absorbers	Coil Springs	Polyurethane Spring Bushes
Leaf Springs	U-Bolts	Strut Shock Absorbers



2003 to 2012

Isuzu D-Max

Product Description

Part No.

Qty
Req

Please check vehicle date range (if shown) next to product description prior to ordering

ACCESSORIES TO SUIT ISUZU D-MAX - 2007-6/2012

STEEL WINCH BULL BARS

Deluxe Bull Bar	BBCD020	
-----------------	---------	--

• Can also be fitted to both 2WD and 4WD models.

STEEL SIDE STEPS AND RAILS - FITS DUAL CAB MODELS ONLY

Side Steps	SS001	
Side Steps and Rails	SSR006	

SNORKEL

D-MAX 2009+ (Does not fit 4x2 SX model)	ISNORKEL022	
---	-------------	--

BREATHER KIT

Universal Twin Manifold Filtered Breather Kit	IDIFFBRE	
---	----------	--

SUSPENSION TO SUIT ISUZU D-MAX - 2003-2012

FRONT SUSPENSION

SHOCK ABSORBER

Nitro Gas - Performance	12667GR	2
Foam Cell - Performance	24667FE	2

TORSION BAR

Uprated Torsion Bars	HOLD010	1
----------------------	---------	---

• Minimum 60mm downward suspension travel required after adjustment

REAR SUSPENSION

SHOCK ABSORBER

Nitro Gas - Comfort	12636GRC	2
Nitro Gas - Performance	12636GR	2
Nitro Gas - Professional	12636GRP	2
Foam Cell - Comfort	24636FEC	2
Foam Cell - Performance	24636FE	2
Foam Cell - Professional	24636FEP	2

LEAF SPRINGS

	Est. Lift	Additional Load		
Medium	40mm	0 - 300kg	HOLD006B	2
Heavy	40mm	300kg - 600kg	HOLD006C	2
Extra Heavy	40mm	600 kg - GVM	HOLD006D	2

U-BOLTS

U-Bolt Kit	417UBK	2
------------	--------	---

POLYURETHANE SPRING BUSHES

Bush Kit	728TUK	1
----------	--------	---

GREASABLE SHACKLES AND PINS

Greasable Shackle	386-2	2
Non-Greasable Pin	387-1	2

HELPER SPRINGS

Add-A-Leaf	ISL6010	1
------------	---------	---

• Load Plus not suitable for Rodeo / Colorado / D-Max with OEM springs due to interleaf liners

SUSPENSION KIT

Medium - Nitro Gas	HOLD006BKG
Medium - Foam Cell	HOLD006BKF
Heavy - Nitro Gas	HOLD006CKG
Heavy - Foam Cell	HOLD006CKF
Extra Heavy - Nitro Gas	HOLD006DKG
Extra Heavy - Foam Cell	HOLD006DKF

SUSPENSION KIT CONTENTS

Shock Absorbers	Torsion Bars	Polyurethane Spring Bushes
Leaf Springs	U-Bolts	



Product Description

Part No.

Qty
Req

Please check vehicle date range (if shown) next to product description prior to ordering

ACCESSORIES TO SUIT ISUZU MU-X - 8/2021+

STEEL WINCH BULL BARS

Deluxe Bull Bar	BBBD095	
Raid Bull Bar - Includes Integrated Recovery Points	BBR095	
Raid Bull Bar Kit*	BBR095K	
Proguard No Loop Bull Bar	BBT095-NL	
Proguard Single Loop Kit	BB095-SL	
Proguard Triple Loop Kit	BB095-TL	
Driving Light / Lightbar Patch Loom	IPLS095	
120W Bright Sabre Single Row Lightbar 812mm (32") Straight to suit Raid Bull Bar	ILBSR002BW	1
<ul style="list-style-type: none"> Raid Bull Bars are compatible with IRONMAN 4X4 Lightbars and 20W Cube Lights, refer page 29-33 for available options Winch with Steel Cable and Roller Fairlead is not suitable - Use Winch with Synthetic Rope and Alloy Hawse only 		

STEEL SIDE STEPS AND RAILS

Side Steps - Dimple Step Design	SS095-D	
Side Rails	SS095 RAIL	
Side Steps and Rails - Dimple Step Design	SSR095-D	

RECOVERY POINTS - IRONMAN 4X4 BULL BAR ONLY

Recovery Points - 5000kg Rating (Pair)	IRP074	
--	--------	--

SNORKEL

8/2021+	ISNORKEL074	
---------	-------------	--

PREMIUM UNDERBODY PROTECTION

Engine Bay and Transmission	UBP074S	
-----------------------------	---------	--

ATLAS DUAL CAB ROOF RACK KITS

Platform E with Blade Fit Kit - 2130mm Length	IFR095PEK	
---	-----------	--

* See Page 38-41 for more Atlas rack, crossbar and accessory options.

SEAT COVER

Airbag Compatible Fabric Seat Covers - Front	SC074-CC-1R-A	
Airbag Compatible Fabric Seat Covers - Rear	SC095-CC-2R-A	

BULL BAR KIT* CONTENTS

Raid Bull Bar	Patch Loom	Driving Light Loom	Cube Light Adaptor	Lightbar	Cube Lights (4)
---------------	------------	--------------------	--------------------	----------	-----------------

Isuzu MU-X

8/2021+

Product Description

Part No.

Qty
Req*Please check vehicle date range (if shown) next to product description prior to ordering***SUSPENSION TO SUIT ISUZU MU-X - 8/2021+****FRONT SUSPENSION****SHOCK ABSORBER**

Nitro Gas Strut - Performance			12845GR	2
Foam Cell Strut - Performance			24845FE	2
Foam Cell Pro Strut - Performance			45845FE	2

COIL SPRINGS

	Est. Lift	Additional Load		
Standard	0mm	0 - 50kg	HOLD020S	1
Light	30mm	0 - 50kg	HOLD020A	1
Medium	40mm	0 - 50kg	HOLD020B	1
Heavy	40mm	50 - 110kg	HOLD020C	1

STRUT MOUNTS

Steel Strut Top			ISST017	2
-----------------	--	--	----------------	---

TRIM PACKERS

5mm Strut Trim Packer	Nitro Gas / Foam Cell	HILFR05/HILFR05F	2
10mm Strut Trim Packer	Nitro Gas / Foam Cell	HILFR10/HILFR10F	2
15mm Strut Trim Packer	Nitro Gas / Foam Cell	HILFR15/HILFR15F	2

• ONLY Compatible with IRONMAN 4X4 Struts (except Pro), lift height subject to 2:1 motion ratio. Unnecessary fitment may lift vehicle too high

CONTROL ARMS

Pro-Forge Upper Control Arms		UCA074FA-B	1
------------------------------	--	-------------------	---

REAR SUSPENSION**SHOCK ABSORBER**

Nitro Gas - Comfort			12746GRC	2
Nitro Gas - Performance			12746GR	2
Foam Cell - Comfort			24746FEC	2
Foam Cell - Performance			24746FE	2
Foam Cell Pro - Comfort			45746FEC	2
Foam Cell Pro - Performance			45746FE	2

COIL SPRINGS

	Est. Lift	Additional Load		
Medium	40mm	0 - 250kg	HOLD008A	1
Heavy	40mm	250kg - GVM	HOLD008B	1

SUSPENSION KIT - Specify Front Coil Springs When Ordering

Medium - Nitro Gas	HOLD020BKG1
Medium - Foam Cell	HOLD020BKF1
Medium - Foam Cell Pro	HOLD020BKP1
Heavy - Nitro Gas	HOLD020CKG1
Heavy - Foam Cell	HOLD020CKF1

SUSPENSION KIT CONTENTS

Shock Absorbers	Coil Springs
-----------------	--------------

Isuzu MU-X

2014 to 2/2017
(Facelift) 3/2017 to 7/2021



Product Description

Part No.

Qty
Req

Please check vehicle date range (if shown) next to product description prior to ordering

ACCESSORIES TO SUIT ISUZU MU-X - 2014-7/2021

STEEL WINCH BULL BARS

Deluxe Bull Bar - (2014 to 2/2017 Only)	BBCD049
Deluxe Bull Bar - (Suits Facelift 3/2017 to 7/2021 Only)	BBCD061
Proguard No Loop Bull Bar - (Suits Facelift 3/2017 to 7/2021 Only)	BBT061-NL
Proguard Single Loop Kit - (Suits Facelift 3/2017 to 7/2021 Only)	BB061-SL
Proguard Triple Loop Kit - (Suits Facelift 3/2017 to 7/2021 Only)	BB061-TL
Driving Light / Lightbar Patch Loom - Factory LED Headlight models only - <i>While Stocks Last</i>	IPL058

STEEL SIDE STEPS AND RAILS

Side Steps	SS044
Side Rails	SS044 RAIL
Side Steps and Rails	SSR044

RECOVERY POINTS - IRONMAN 4X4 BULL BAR ONLY

Recovery Points - 5000kg Rating (Pair)	IRP058
--	--------

SNORKEL

3.0L Turbo Diesel - (2014 to 2/2017 Only)	ISNORKELO41
---	-------------

PREMIUM UNDERBODY PROTECTION

Engine Bay and Transmission	UBP041
-----------------------------	--------

FENDER FLARE KITS

Matte Black Smooth Finish 6" (Suits Facelift 3/2017 to 7/2021 Only)	IFF6049
---	---------

• Some flares may not be compatible if side rails/brush bars are fitted. Some flares may require slight trimming if snorkel is installed.

Isuzu MU-X

2014 to 2/2017
(Facelift) 3/2017 to 7/2021

Product Description

Part No.

Qty
Req

Please check vehicle date range (if shown) next to product description prior to ordering

SUSPENSION TO SUIT ISUZU MU-X - 2014-7/2021

FRONT SUSPENSION

SHOCK ABSORBER

Nitro Gas Strut - Performance			12745GR	2
Foam Cell Strut - Performance			24745FE	2
Foam Cell Pro Strut - Performance			45745FE	2

COIL SPRINGS

	Est. Lift	Additional Load		
Standard	0mm	0 - 50kg	HOLD020S	1
Light	30mm	0 - 50kg	HOLD020A	1
Medium	40mm	0 - 50kg	HOLD020B	1
Heavy	40mm	50 - 110kg	HOLD020C	1

STRUT MOUNTS

Steel Strut Top			ISST017	2
-----------------	--	--	----------------	---

TRIM PACKERS

5mm Strut Trim Packer	Nitro Gas / Foam Cell	HILFR05/HILFR05F	2
10mm Strut Trim Packer	Nitro Gas / Foam Cell	HILFR10/HILFR10F	2
15mm Strut Trim Packer	Nitro Gas / Foam Cell	HILFR15/HILFR15F	2

• ONLY Compatible with IRONMAN 4X4 Struts (except Pro), lift height subject to 2:1 motion ratio. Unnecessary fitment may lift vehicle too high

CONTROL ARMS

Pro-Forge Upper Control Arms		UCA041FAS-B	1
------------------------------	--	--------------------	---

REAR SUSPENSION

SHOCK ABSORBER

Nitro Gas - Comfort			12746GRC	2
Nitro Gas - Performance			12746GR	2
Foam Cell - Comfort			24746FEC	2
Foam Cell - Performance			24746FE	2
Foam Cell Pro - Comfort			45746FEC	2
Foam Cell Pro - Performance			45746FE	2

COIL SPRINGS

	Est. Lift	Additional Load		
Medium	40mm	0 - 250kg	HOLD008A	1
Heavy	40mm	250kg - GVM	HOLD008B	1

SUSPENSION KIT - Specify Front Coil Springs When Ordering

Medium - Nitro Gas	HOLD020BKG
Medium - Foam Cell	HOLD020BKF
Medium - Foam Cell Pro	HOLD020BKP
Heavy - Nitro Gas	HOLD020CKG
Heavy - Foam Cell	HOLD020CKF
Heavy - Foam Cell Pro	HOLD020CKP

SUSPENSION KIT CONTENTS

Shock Absorbers	Coil Springs
-----------------	--------------

Isuzu Trooper

1992+



Product Description

Part No.

Qty
Req

Please check vehicle date range (if shown) next to product description prior to ordering

SUSPENSION TO SUIT ISUZU TROOPER - 1992+

FRONT SUSPENSION

SHOCK ABSORBER

Nitro Gas - Performance	12643GR	2
Foam Cell - Performance	24643FE	2

TORSION BAR

Up-rated Torsion Bars	HOLD009	1
-----------------------	---------	---

• Minimum 60mm downward suspension travel required after adjustment

REAR SUSPENSION

SHOCK ABSORBER

Nitro Gas - Performance	12644GR	2
Foam Cell - Performance	24644FE	2

COIL SPRINGS

	Est. Lift	Additional Load		
Medium	40mm	0 - 300kg	HOLD008B	1
Heavy	40mm	300kg - GVM	HOLD008C	1

• Use HOLD008C for 3/2001+ Models

SUSPENSION KIT

Medium - Nitro Gas	HOLD008BKG
Medium - Foam Cell	HOLD008BKF
Heavy - Nitro Gas	HOLD008CKG
Heavy - Foam Cell	HOLD008CKF

SUSPENSION KIT CONTENTS

Shock Absorbers

Leaf Springs

Torsion Bars



11/1986 to 1991

SUSPENSION TO SUIT

Isuzu Trooper

Product Description

Part No.

Qty
Req

Please check vehicle date range (if shown) next to product description prior to ordering

SUSPENSION TO SUIT ISUZU TROOPER - 11/1986-1991

FRONT SUSPENSION

SHOCK ABSORBER

Nitro Gas - Performance		12087GR	2
Foam Cell - Performance		24087FE	2

TORSION BAR

Uprated Torsion Bars	43mm Spline Count	HOLD005A	1
----------------------	-------------------	-----------------	---

• Minimum 60mm downward suspension travel required after adjustment

REAR SUSPENSION

SHOCK ABSORBER

Nitro Gas - Performance		12671GR	2
-------------------------	--	----------------	---

LEAF SPRINGS

	Est. Lift	Additional Load		
Medium - Drivers Side	40mm	0 - 300kg	HOLD004BD/S	1
Medium - Near Side	40mm	0 - 300kg	HOLD004BN/S	1
Heavy - Drivers Side	40mm	300kg - GVM	HOLD004CD/S	1
Heavy - Near Side	40mm	300kg - GVM	HOLD004CN/S	1

U-BOLTS

U-Bolt Kit		451UBK	2
------------	--	---------------	---

POLYURETHANE SPRING BUSHES

Bush Kit		747UK	1
----------	--	--------------	---

GREASABLE SHACKLES AND PINS

Greasable Shackle		791	2
Greasable Pin		792	2

HELPER SPRINGS

Load Plus Helper Springs		LP3	1
Add-A-Leaf		ISL6010	1

SUSPENSION KIT

Medium - Nitro Gas		HOLD007BKG
Medium - Foam Cell		HOLD007BKF
Heavy - Nitro Gas		HOLD007CKG
Heavy - Foam Cell		HOLD007CKF

SUSPENSION KIT CONTENTS

Shock Absorbers	Torsion Bars	Polyurethane Spring Bushes
Leaf Springs	U-Bolts	

Isuzu Trooper

Pre 1986



Product Description

Part No.

Qty
Req

Please check vehicle date range (if shown) next to product description prior to ordering

SUSPENSION TO SUIT ISUZU TROOPER - PRE 1986

FRONT SUSPENSION

SHOCK ABSORBER

Nitro Gas - Performance	12087GR	2
Foam Cell - Performance	24087FE	2

TORSION BAR

Up-rated Torsion Bars	MAZDA005	1
-----------------------	----------	---

• Minimum 60mm downward suspension travel required after adjustment

REAR SUSPENSION

SHOCK ABSORBER

Nitro Gas - Comfort	12636GRC	2
Nitro Gas - Performance	12636GR	2
Foam Cell - Comfort	24636FEC	2
Foam Cell - Performance	24636FE	2

LEAF SPRINGS

	Est. Lift	Additional Load		
Medium - Drivers Side	40mm	0 - 300kg	HOLD004BD/S	1
Medium - Near Side	40mm	0 - 300kg	HOLD004BN/S	1
Heavy - Drivers Side	40mm	300kg - GVM	HOLD004CD/S	1
Heavy - Near Side	40mm	300kg - GVM	HOLD004CN/S	1

U-BOLTS

U-Bolt Kit	451UBK	2
------------	--------	---

POLYURETHANE SPRING BUSHES

Bush Kit	747UK	1
----------	-------	---

GREASABLE SHACKLES AND PINS

Greasable Shackle	791	2
Greasable Pin	792	2

HELPER SPRINGS

Load Plus Helper Springs	LP3	1
Add-A-Leaf	ISL6010	1

SUSPENSION KIT

Medium - Nitro Gas	HOLD005BKG
Medium - Foam Cell	HOLD005BKF
Heavy - Nitro Gas	HOLD005CKG
Heavy - Foam Cell	HOLD005CKF

SUSPENSION KIT CONTENTS

Shock Absorbers	Torsion Bars	Polyurethane Spring Bushes
Leaf Springs	U-Bolts	



Liberty KK
2007 to 2012

SUSPENSION TO SUIT

Jeep Cherokee

Product Description

Part No.

Qty
Req

Please check vehicle date range (if shown) next to product description prior to ordering

SUSPENSION TO SUIT JEEP CHEROKEE - 2007-2012

FRONT SUSPENSION

SHOCK ABSORBER

Nitro Gas - Performance		12711GR	2
-------------------------	--	----------------	---

TRIM PACKERS

5mm Strut Trim Packer	Nitro Gas	HILFR05	2
10mm Strut Trim Packer	Nitro Gas	HILFR10	2
15mm Strut Trim Packer	Nitro Gas	HILFR15	2

• ONLY Compatible with IRONMAN 4X4 Struts, lift height subject to 2:1 motion ratio. Unnecessary fitment may lift vehicle too high

REAR SUSPENSION

SHOCK ABSORBER

Nitro Gas - Performance		12712GR	2
-------------------------	--	----------------	---

• Vehicles with monocoque body construction can be subject to increased NVH (Noise) with upgraded suspension installed



Liberty KJ
2001 to 2006

SUSPENSION TO SUIT

Jeep Cherokee

Product Description

Part No.

Qty
Req

Please check vehicle date range (if shown) next to product description prior to ordering

SUSPENSION TO SUIT JEEP CHEROKEE - 2001-2006

FRONT SUSPENSION

SHOCK ABSORBER

Nitro Gas Strut - Performance		12711GR	2
-------------------------------	--	----------------	---

COIL SPRINGS

	Est. Lift	Additional Load		
Medium	40mm	0 - 50kg	JEEP014B	1
Heavy or Diesel	40mm	50 - 100kg	JEEP014C	1

TRIM PACKERS

5mm Strut Trim Packer	Nitro Gas	HILFR05	2
10mm Strut Trim Packer	Nitro Gas	HILFR10	2
15mm Strut Trim Packer	Nitro Gas	HILFR15	2

• ONLY Compatible with IRONMAN 4X4 Struts, lift height subject to 2:1 motion ratio. Unnecessary fitment may lift vehicle too high

REAR SUSPENSION

SHOCK ABSORBER

Nitro Gas - Performance		12712GR	2
-------------------------	--	----------------	---

COIL SPRINGS

	Est. Lift	Additional Load		
Medium	40mm	0 - 200kg	JEEP015B	1

SUSPENSION KIT - Specify Front Coil Springs When Ordering

Medium - Nitro Gas	JEEP014BKG
Medium - Nitro Gas (Diesel)	JEEP014BKG1

• Vehicles with monocoque body construction can be subject to increased NVH (Noise) with upgraded suspension installed

SUSPENSION KIT CONTENTS

Shock Absorbers	Coil Springs
-----------------	--------------

Jeep Cherokee

 XJ
 1984+


Product Description

Part No.

Qty
Req

Please check vehicle date range (if shown) next to product description prior to ordering

SUSPENSION TO SUIT JEEP CHEROKEE - 1984+

FRONT SUSPENSION

SHOCK ABSORBER

Nitro Gas - Performance			12665GR	2
Foam Cell - Performance			24665FE	2

COIL SPRINGS

	Est. Lift	Additional Load		
Medium	45mm	0 - 100kg	JEEP016B	1

STEERING DAMPER

Foam Cell			3540	1
-----------	--	--	-------------	---

REAR SUSPENSION

SHOCK ABSORBER

Nitro Gas - Performance			12666GR	2
Foam Cell - Performance			24666FE	2

LEAF SPRINGS

	Est. Lift	Additional Load		
Medium - Drivers Side	45mm	0 - 250kg	JEEP004BD/S	1
Medium - Near Side	45mm	0 - 250kg	JEEP004BN/S	1

• In some cases a driveline vibration may occur after lift, a gearbox crossmember spacer may be required

U-BOLTS

U-Bolt Kit			512UBK	2
------------	--	--	---------------	---

POLYURETHANE SPRING BUSHES

Bush Kit			762UK	1
----------	--	--	--------------	---

SUSPENSION KIT

Medium - Nitro Gas	JEEP003BKG
Medium - Foam Cell	JEEP003BKF

• In some cases a driveline vibration may occur after lift, a gearbox crossmember spacer may be required

SUSPENSION KIT CONTENTS

Shock Absorbers	Coil Springs	Polyurethane Spring Bushes
Leaf Springs	U-Bolts	



JT
4/2019+

Jeep Gladiator

Product Description

Part No.

Qty
Req

Please check vehicle date range (if shown) next to product description prior to ordering

ACCESSORIES TO SUIT JEEP GLADIATOR - 4/2019+

STEEL WINCH BULL BARS

Raid Bull Bar	BBR077	
Raid Stubby Bumper*	BBR077ST	
Driving Light / Lightbar Patch Loom	IPLS077	
Driving Light / Lightbar Patch Loom - <i>While Stocks Last</i>	IPL077	
75W Bright Sabre Single Row Lightbar 524mm (20") Straight	ILBSR003BW	1

* *Raid Bull Bars are compatible with IRONMAN 4X4 Lightbars and 20W or 40W Cube Lights, refer page 29-33 for available options*
† *Stubby Bull Bar is non-compliant to Australian regulations therefore not available in Australia*

STEEL SIDE STEPS

Raid Rock Sliders	SS077JT	
-------------------	---------	--

REAR PROTECTION

Raid Steel Rear Bumper*	RTB077JT	
Rear OEM Light Pod Holder†	RJTHOLDER	

* *Not compatible with Rubicon rear corner steps*
† *Required for Rubicon models*
• *Raid Rear Bars are compatible with IRONMAN 4X4 20W Cube Lights, refer page 32 for available options*

SLIDE-AWAY ROLL UP HARD TONNEAU COVER

Electric with Remote Control - Requires 'Trail Rail' system to be fitted for installation	ISLIDEAWAY077-E	
---	-----------------	--

ATLAS ROOF RACK KITS

Platform G with Blade Fit Kit to Suit Slideaway Hard Tonneau Cover - 1390mm Length	IFRSLDAWAYPGK	
Crossbar (x 2) and Fit Kit (Dual Cab) - 1650mm Width	IFR077C2K	
Crossbar (x 2) and Fit Kit to Suit Slideaway Hard Tonneau Cover - 1650mm Width	IFRSLDAWAYC2K	

• *See Page 38-41 for more Atlas rack, crossbar and accessory options.*

BREATHER KIT

Universal Twin Manifold Filtered Breather Kit	IDIFFBRE	
---	----------	--

SUSPENSION TO SUIT JEEP GLADIATOR - 4/2019+

FRONT SUSPENSION

SHOCK ABSORBER

Nitro Gas - Comfort	12851GRC	2
Nitro Gas - Performance	12851GR	2
Foam Cell Pro - Comfort	45851FEC	2
Foam Cell Pro - Performance	45851FE	2

COIL SPRINGS

	Est. Lift	Additional Load		
Medium	50mm	0 - 60kg	JEEP031B	1

STEERING DAMPER

Foam Cell	Left Hand Drive	3544	1
Foam Cell	Right Hand Drive	3543	1

REAR SUSPENSION

SHOCK ABSORBER

Foam Cell Pro - Comfort	45854FEC	2
Foam Cell Pro - Performance	45854FE	2

COIL SPRINGS

	Est. Lift	Additional Load		
Medium	50mm	0 - 300kg	JEEP032B	1
Heavy	50mm	300kg - 600kg	JEEP032C	1
Extra Heavy	50mm	600kg - GVM	JEEP032D	1

SUSPENSION KIT

Medium - Foam Cell Pro	JEEP032BKP	1
Heavy - Foam Cell Pro	JEEP032CKP	1
Extra Heavy - Foam Cell Pro	JEEP032DKP	1

SUSPENSION KIT CONTENTS

Shock Absorbers

Coil Springs

Jeep Grand Cherokee

WK2
8/2013+

Product Description

Part No.

Qty
Req

Please check vehicle date range (if shown) next to product description prior to ordering

ACCESSORIES TO SUIT JEEP GRAND CHEROKEE - 8/2013+

STEEL WINCH BULL BARS - ONLY FITS DIESEL LAREDO WITHOUT QUADRA-LIFT SUSPENSION (NO SENSOR HOLES PRE-DRILLED)

Deluxe Bull Bar

BBCD052

- Does not suit vehicles with forward facing radar

BREATHER KIT

Universal Twin Manifold Filtered Breather Kit

IDIFFBRE

SUSPENSION TO SUIT JEEP GRAND CHEROKEE - 2011+

FRONT SUSPENSION

SHOCK ABSORBER

Nitro Gas - Performance	2011-2016 (Without Sway Bar Bracket)	12735GR	2
Nitro Gas - Performance	2016 + (With Sway Bar Bracket)	12738GRLH/RH	2

- 2016+ vehicles have sway bar bracket attached to lower clevis.

STRUT MOUNTS

Steel Strut Top		ISST052	2
-----------------	--	----------------	---

COIL SPRINGS

	Est. Lift	Additional Load		
Medium	40mm	0 - 50kg	JEEP025B	1
Heavy or Diesel	40mm	50 - 100kg	JEEP025C	1

REAR SUSPENSION

SPACER KIT

Shock Absorber Spacer		1202K	1
-----------------------	--	--------------	---

- No rear shock absorbers available due to Nivomat Shock Absorbers and the affect on vehicle tow rating.

1202K is used to space shock absorber mount to accommodate lift.

COIL SPRINGS

	Est. Lift	Additional Load		
Medium	40mm	0 - 300kg	JEEP026B	1
Heavy	40mm	300 - 600kg	JEEP026C	1

- Nivomat self-levelling rear shock absorber equipped models only. Nivomat shock absorber has a 63mm body size.

Not compatible with 51mm standard shock absorber body.

SUSPENSION KIT

Medium - Nitro Gas	JEEP025BKG
Heavy - Nitro Gas	JEEP025CKG

- Vehicles with monocoque body construction can be subject to increased NVH (Noise) with upgraded suspension installed.

SUSPENSION KIT CONTENTS

Strut Shock Absorbers	Shock Absorber Spacers	Coil Springs
-----------------------	------------------------	--------------



WJ / WG
1999 to 6/2005

SUSPENSION TO SUIT

Jeep Grand Cherokee

Product Description

Part No.

Qty
Req

Please check vehicle date range (if shown) next to product description prior to ordering

SUSPENSION TO SUIT JEEP GRAND CHEROKEE - 1999-6/2005

FRONT SUSPENSION

SHOCK ABSORBER

Nitro Gas - Performance			12774GR	2
-------------------------	--	--	---------	---

COIL SPRINGS

	Est. Lift	Additional Load		
Medium	40mm	0 - 50kg	JEEP012B	1
Heavy	40mm	50 - 100kg	JEEP012C	1

REAR SUSPENSION

SHOCK ABSORBER

Nitro Gas - Performance			12775GR	2
-------------------------	--	--	---------	---

COIL SPRINGS

	Est. Lift	Additional Load		
Medium	40mm	0 - 200kg	JEEP013B	1
Heavy	40mm	200kg - GVM	JEEP013C	1

SUSPENSION KIT

Medium - Nitro Gas	JEEP012BKG
--------------------	------------

• Vehicles with monocoque body construction can be subject to increased NVH (Noise) with upgraded suspension installed

SUSPENSION KIT CONTENTS

Shock Absorbers Coil Springs



ZJ/ZG
1993 to 1998

ACCESSORIES TO SUIT

Jeep Grand Cherokee

Product Description

Part No.

Qty
Req

Please check vehicle date range (if shown) next to product description prior to ordering

SUSPENSION TO SUIT JEEP GRAND CHEROKEE - 1993-1998

FRONT SUSPENSION

SHOCK ABSORBER

Nitro Gas - Performance			12665GR	2
Foam Cell - Performance			24665FE	2

COIL SPRINGS

	Est. Lift	Additional Load		
Medium	40mm	0 - 50kg	JEEP003B	1
Heavy	40mm	50 - 100kg	JEEP016B	1

STEERING DAMPER

Foam Cell			3540	1
-----------	--	--	------	---

REAR SUSPENSION

SHOCK ABSORBER

Nitro Gas - Performance			12670GR	2
-------------------------	--	--	---------	---

COIL SPRINGS

	Est. Lift	Additional Load		
Medium	40mm	0 - 300kg	JEEP006B	1
Heavy	40mm	300kg - GVM	JEEP003B	1

SUSPENSION KIT - Specify Front Coil Springs When Ordering

Medium - Nitro Gas	JEEP006BKG
--------------------	------------

Heavy - Nitro Gas	JEEP006CKG
-------------------	------------

• Vehicles with monocoque body construction can be subject to increased NVH (Noise) with upgraded suspension installed

SUSPENSION KIT CONTENTS

Shock Absorbers Coil Springs

Jeep Wrangler

JL
2018+

Product Description

Part No.

Qty
Req

Please check vehicle date range (if shown) next to product description prior to ordering

ACCESSORIES TO SUIT JEEP WRANGLER - 2018+

STEEL WINCH BULL BARS

Raid Bull Bar	BBR077	
Raid Stubby Bumper*	BBR077ST	
Driving Light / Lightbar Patch Loom	IPLS077	
Driving Light / Lightbar Patch Loom - <i>While Stocks Last</i>	IPL077	
75W Bright Sabre Single Row Lightbar 524mm (20") Straight	ILBSR003BW	1

* *Raid Bull Bars are compatible with IRONMAN 4X4 Lightbars and 20W or 40W Cube Lights, refer page 29-33 for available options*

* *Stubby Bull Bar is non-compliant to Australian regulations therefore not available in Australia*

STEEL SIDE STEPS

Raid Rock Sliders	SS077JL	
-------------------	---------	--

• *4 Door models only*

REAR PROTECTION AND TOWING

Raid Steel Rear Bumper*	RTB077JL	
Class 3 Tow Bar (3500lb)	TB077JL	
Spare Tyre and Licence Plate Relocation Kit †	RWC077JL	
Towbar Wiring Loom - Plug and Play	ITBL077JL	

† *Compatible up to 37" tyres*

* *Recommend installation of RWC077JL to raise spare wheel and licence plate relocation*

• *Raid Rear Bars are compatible with IRONMAN 4X4 20W Cube Lights, refer page 32 for available options*



JL
Includes 4xe Models
2018+

Jeep Wrangler

Product Description

Part No.

Qty Req

Please check vehicle date range (if shown) next to product description prior to ordering

SUSPENSION TO SUIT JEEP WRANGLER - 2018+

FRONT SUSPENSION

SHOCK ABSORBER

Nitro Gas - Comfort			12851GRC	2
Nitro Gas - Comfort	Suits 4" Lift		12851LGRC	2
Nitro Gas - Performance			12851GR	2
Nitro Gas - Performance	Suits 4" Lift		12851LGR	2
Foam Cell Pro - Comfort			45851FEC	2
Foam Cell Pro - Comfort	Suits 4" Lift		45851LFEC	2
Foam Cell Pro - Performance			45851FE	2
Foam Cell Pro - Performance	Suits 4" Lift		45851LFE	2

COIL SPRINGS

	Est. Lift	Additional Load		
Light	45mm	0 - 50kg	JEEP029A	1
Medium	50mm	0 - 50kg	JEEP029B	1
Medium	100mm	0 - 50kg	JEEP035B	1
Heavy	50mm	50 - 100kg	JEEP029C	1

•Estimated lift 1" (25mm) less in US Rubicon models

STEERING DAMPER

Foam Cell - Pre 2022	Left Hand Drive	3544	1
Foam Cell - Pre 2022	Right Hand Drive	3543	1

BUMP STOP

Front Bump Stop Spacer Kit	Suits 4" Lift	1235K	1
----------------------------	---------------	--------------	---

SWAY BAR LINK

Extended Sway Bar Link	Suits 4" Lift	SBEXT035	1
------------------------	---------------	-----------------	---

REAR SUSPENSION

SHOCK ABSORBER

Nitro Gas - Comfort			12852GRC	2
Nitro Gas - Comfort	Suits 4" Lift		12852LGRC	2
Nitro Gas - Performance			12852GR	2
Nitro Gas - Performance	Suits 4" Lift		12852LGR	2
Foam Cell Pro - Comfort			45852FEC	2
Foam Cell Pro - Comfort	Suits 4" Lift		45852LFEC	2
Foam Cell Pro - Performance			45852FE	2
Foam Cell Pro - Performance	Suits 4" Lift		45852LFE	2

COIL SPRINGS

	Est. Lift	Additional Load		
Light - (2 Door Models)	45mm	0 - 100kg	JEEP030A	1
Medium	50mm	0 - 250kg	JEEP030B	1
Medium	100mm	0 - 50kg	JEEP036B	1
Heavy	50mm	200kg - GVM	JEEP030C	1

BUMP STOP

Rear Bump Stop Spacer Kit	Suits 4" Lift	1236K	1
---------------------------	---------------	--------------	---

SWAY BAR LINK

Extended Sway Bar Link	Suits 4" Lift	SBEXT036	1
------------------------	---------------	-----------------	---

BRACKET KITS

Rear Panhard Bracket Kit	Suits 4" Lift	PDB036R	1
4" Lift Bracket Set*	Suits 4" Lift	JLKIT035	1

* Bracket set contains 1 x 1235K, 1 x 1236K, 1 x SBEXT035, 1 x SBEXT036 and 1 x PDB036R

SUSPENSION KIT - Specify Front Coil Springs When Ordering

Light - Nitro Gas		JEEP030AKG	1
Light - Foam Cell Pro		JEEP030AKP	1
Medium - Nitro Gas		JEEP030BKG	1
Medium - Nitro Gas	Suits 4" Lift	JEEP035BKGL	1
Medium - Foam Cell Pro		JEEP030BKP	1
Medium - Foam Cell Pro	Suits 4" Lift	JEEP035BKPL	1
Heavy - Nitro Gas		JEEP030CKG	1
Heavy - Foam Cell Pro		JEEP030CKP	1

SUSPENSION KIT CONTENTS

Shock Absorbers Coil Springs

4" SUSPENSION KIT CONTENTS

Shock Absorbers 4" Bracket Set
Coil Springs





Outlasting the Outback

{IRONMAN}
4X4



JK
2006+

Jeep Wrangler

Product Description

Part No.

**Qty
Req**

Please check vehicle date range (if shown) next to product description prior to ordering

ACCESSORIES TO SUIT JEEP WRANGLER - 2007+

STEEL WINCH BULL BARS - MUST USE OE FOG LIGHTS

Deluxe Bull Bar BBCD035

SNORKEL

Not Available in Australia ISNORKEL032

SUSPENSION TO SUIT JEEP WRANGLER - 2006+

FRONT SUSPENSION

SHOCK ABSORBER

Nitro Gas - Performance 12751GR 2

Nitro Gas - Performance 12751LGR 2

Suits 4" Lift

Foam Cell Pro - Performance 45751FE 2

Foam Cell Pro - Performance 45751LFE 2

Suits 4" Lift

COIL SPRINGS

Est. Lift Additional Load

Medium JEEP017B 1

40mm 0 - 50kg

Medium - 4" Lift JEEP019B 1

100mm 0 - 50kg

Heavy JEEP017C 1

40mm 50 - 110kg

STEERING DAMPER

Foam Cell 3541 1

Regular Fitment

Foam Cell 3540 1

Suits JKBKITL 4" Kit Only

PANHARD ROD

Adjustable Panhard Rod PANHARD010 1

REAR SUSPENSION

SHOCK ABSORBER

Nitro Gas - Performance 12752GR 2

Nitro Gas - Performance 12752LGR 2

Suits 4" Lift

Foam Cell Pro - Performance 45752FE 2

Foam Cell Pro - Performance 45752LFE 2

Suits 4" Lift

COIL SPRINGS

Est. Lift Additional Load

Medium - 2 Door JEEP018A 1

40mm 0 - 250kg

Medium - 4 Door JEEP018B 1

40mm 0 - 250kg

Medium - 4" Lift JEEP020B 1

100mm 0 - 250kg

PANHARD ROD

Adjustable Panhard Rod PANHARD011 1

SWAY BAR LINK

Extended Sway Bar Link SBEXT008 2

• OEM Rear Links can be moved to the front of vehicle.

BRACKET KIT

4" Lift Bracket Set JKBKITL 1

Left Hand Drive Models ONLY

• Bracket set is sold complete. Parts are not available individually

SUSPENSION KIT - Specify Front Coil Springs When Ordering

Light - Nitro Gas JEEP017AKG 2 Door

Light - Foam Cell Pro JEEP017AKP 2 Door

Medium - Nitro Gas JEEP017BKG 4 Door

Medium - Nitro Gas JEEP019BKGL 4" Lift

Medium - Foam Cell Pro JEEP017BKP 4 Door

Medium - Foam Cell Pro JEEP019BKPL 4" Lift

• 4" Lift may not be legal for road use in your area. Certification may be required for on-road use

• 4" Lift Kit suits left hand drive models ONLY, and lift components should only be used together with appropriate geometry correction components

SUSPENSION KIT CONTENTS

Shock Absorbers Coil Springs

4" SUSPENSION KIT CONTENTS

Shock Absorbers Coil Springs Steering Damper 4" Bracket Set

4" BRACKET SET CONTENTS

Steering Rod Flip Kit - JKBK01L

Front Shock Absorber Relocation Kit - JKBK02

Radius Arm Relocation Kit - JKBK03

Brake Hose Extension Kit - JKBK04

Front Adjustable Panhard Rod - PANHARD010

• Fitment to RHD is possible with omission of JKBK01L and JKBK05L

Rear Adjustable Panhard Rod - PANHARD012

Rear Panhard Rod Relocation Kit - JKBK05L

Bump Stop Spacer Kit - JKBK06

Adjustable Swaybar Extensions - SBEXT008

Jeep Wrangler

TJ
1996 to 2/2007



Product Description

Part No.

Qty
Req

Please check vehicle date range (if shown) next to product description prior to ordering

SUSPENSION TO SUIT JEEP WRANGLER - 1996-2/2007

FRONT SUSPENSION

SHOCK ABSORBER

Nitro Gas - Performance			12665GR	2
Foam Cell - Performance			24665FE	2

COIL SPRINGS

	Est. Lift	Additional Load		
Medium	40mm	0 - 40kg	JEEP007B	1
Heavy	40mm	40 - 80kg	JEEP003B	1

STEERING DAMPER

Foam Cell			3540	1
-----------	--	--	-------------	---

REAR SUSPENSION

SHOCK ABSORBER

Nitro Gas - Performance			12669GR	2
-------------------------	--	--	----------------	---

COIL SPRINGS

	Est. Lift	Additional Load		
Medium	40mm	0 - 200kg	JEEP008B	1

• In some cases a driveline vibration may occur after lift, a gearbox crossmember spacer may be required

SUSPENSION KIT - Specify Front Coil Springs When Ordering

Medium - Nitro Gas	JEEP007BKG
--------------------	-------------------

• In some cases a driveline vibration may occur after lift, a gearbox crossmember spacer may be required

SUSPENSION KIT CONTENTS

Shock Absorbers	Coil Springs
-----------------	--------------



2014+

SUSPENSION TO SUIT

JMC Vigus

Product Description

Part No.

Qty
Req

Please check vehicle date range (if shown) next to product description prior to ordering

SUSPENSION TO SUIT JMC VIGUS - 2014+

FRONT SUSPENSION

SHOCK ABSORBER

Nitro Gas Strut - Performance			12710GR	2
Foam Cell Strut - Performance			24710FE	2
Foam Cell Pro Strut - Performance			45710FE	2

COIL SPRINGS

	Est. Lift	Additional Load		
Medium	45mm	0 - 50kg	TOY038C	1
Heavy	45mm	50 - 110kg	TOY055A	1

STRUT MOUNTS

Steel Strut Top			ISST001	2
-----------------	--	--	----------------	---

TRIM PACKERS

5mm Strut Trim Packer	Nitro Gas / Foam Cell		HILFR05/HILFR05F	2
10mm Strut Trim Packer	Nitro Gas / Foam Cell		HILFR10/HILFR10F	2
15mm Strut Trim Packer	Nitro Gas / Foam Cell		HILFR15/HILFR15F	2

• ONLY Compatible with IRONMAN 4X4 Struts (except Pro), lift height subject to 2:1 motion ratio. Unnecessary fitment may lift vehicle too high

REAR SUSPENSION

SHOCK ABSORBER

Nitro Gas - Comfort			12650GRC	2
Nitro Gas - Performance			12650GR	2
Foam Cell - Comfort			24650FEC	2
Foam Cell - Performance			24650FE	2
Foam Cell - Professional			24650FEP	2
Foam Cell Pro - Comfort			45650FEC	2
Foam Cell Pro - Performance			45650FE	2
Foam Cell Pro - Professional			45650FEP	2

LEAF SPRINGS

	Est. Lift	Additional Load		
Medium	40mm	0 - 200kg	JMC002B	2
Heavy	40mm	200 - 400kg	JMC002C	2

U-BOLTS

U-Bolt Kit			437UBKL	2
------------	--	--	----------------	---

POLYURETHANE SPRING BUSHES

Bush Kit			767UK	1
----------	--	--	--------------	---

GREASABLE SHACKLES AND PINS

Greasable Shackle			386-3	2
Non-Greasable Pin			387-1	2

HELPER SPRINGS

Load Plus Helper Springs			LP2	1
Add-A-Leaf			ISL6010	1

SUSPENSION KIT - Specify Front Coil Springs When Ordering

Medium - Nitro Gas	JMC002BKG
Medium - Foam Cell	JMC002BKF
Medium - Foam Cell Pro	JMC002BKP
Heavy - Nitro Gas	JMC002CKG
Heavy - Foam Cell	JMC002CKF
Heavy - Foam Cell Pro	JMC002CKP

SUSPENSION KIT CONTENTS

Shock Absorbers	Coil Springs	U-Bolts
Strut Shock Absorbers	Leaf Springs	Polyurethane Spring Bushes

Kia Sorento

 BL
 2003 to 2008


Product Description

Part No.

Qty
Req

Please check vehicle date range (if shown) next to product description prior to ordering

SUSPENSION TO SUIT KIA SORENTO - 2003-2008

FRONT SUSPENSION

COIL SPRINGS

	Est. Lift	Additional Load	Part No.	Qty Req
Medium	35mm	0 - 50kg	KIA006B	1

REAR SUSPENSION

COIL SPRINGS

	Est. Lift	Additional Load	Part No.	Qty Req
Medium	35mm	0 - 200kg	KIA007B	1

Lada Niva

1978+



Product Description

Part No.

Qty
Req

Please check vehicle date range (if shown) next to product description prior to ordering

SUSPENSION TO SUIT LADA NIVA - 1978+

FRONT SUSPENSION

COIL SPRINGS

	Est. Lift	Additional Load	Part No.	Qty Req
Medium	35mm	0 - 50kg	LADA001B	1

REAR SUSPENSION

COIL SPRINGS

	Est. Lift	Additional Load	Part No.	Qty Req
Medium	35mm	0 - 200kg	LADA002B	1



2007 to 2016

SUSPENSION TO SUIT

Land Rover Defender

Product Description

Part No.

Qty
Req

Please check vehicle date range (if shown) next to product description prior to ordering

ACCESSORIES TO SUIT LAND ROVER DEFENDER - 2007-2016

STEEL ROOF RACKS

Cage Style - 1.4m x 1.25m
Rooftop Tent Compatible - 1.8m x 1.25m
Rooftop Tent Compatible - 2.2m x 1.25m
Trade Style - 2.2m x 1.25m (Open end)

IRRCAGE14
IRR TENT18
IRR TENT22
IRR TRADE22

ALLOY ROOF RACKS

Cage Style - 1.8m x 1.25m
Cage Style - 2.2m x 1.25m
Trade Style - 1.4m x 1.25m (Open end)
Trade Style - 1.8m x 1.25m (Open end)
Trade Style - 2.2m x 1.25m (Open end)
Flat Rack - 1.8m x 1.25m

IRRCAGE18-ALLOY
IRRCAGE22-ALLOY
IRROPEN14-ALLOY
IRR TRADE18-ALLOY
IRR TRADE22-ALLOY
IRRTFLAT18-ALLOY

BREATHER KIT

Universal Twin Manifold Filtered Breather Kit

IDIFFBRE

Land Rover Defender

110, 130 Series
County / Dual Cab



Product Description

Part No.

Qty
Req

Please check vehicle date range (if shown) next to product description prior to ordering

SUSPENSION TO SUIT LAND ROVER DEFENDER 110, 130 SERIES

FRONT SUSPENSION

SHOCK ABSORBER

Nitro Gas - Performance			12080GR	2
Foam Cell - Performance			24080FE	2
Foam Cell Pro - Performance			45080FE	2

COIL SPRINGS

	Est. Lift	Additional Load		
Medium - V8 Petrol Engine	45mm	0 - 80kg	LAND007B	1
Medium - 2.5 Puma Engine	45mm	0 - 80kg	LAND009B	1
Medium - 2.2 Puma Engine	45mm	0 - 80kg	LAND014B	1

STEERING DAMPER

Foam Cell			3532	1
-----------	--	--	-------------	---

OFFSET CASTER BUSH KIT

Offset Bush Kit	Suits 1987+		1145SK	1
-----------------	-------------	--	---------------	---

• May cause driveline vibration on 1998+ models

REAR SUSPENSION

SHOCK ABSORBER

Nitro Gas - Performance			12640GR	2
Foam Cell - Performance			24640FE	2
Foam Cell Pro - Performance			45640FE	2

COIL SPRINGS

	Est. Lift	Additional Load		
Medium - (Self Levelling)	45mm	0 - 300kg	LAND008B	1
Medium	45mm	0 - 300kg	LAND006B	1
Heavy	45mm	300kg - GVM	LAND006C	1

• Re-Fit inner spring if equipped

SUSPENSION KIT - Specify Front Coil Springs When Ordering

Medium - Nitro Gas - (Self Levelling)	LAND005BKG
Medium - Foam Cell - (Self Levelling)	LAND005BKF
Medium - Foam Cell Pro - (Self Levelling)	LAND005BKP
Medium - Nitro Gas	LAND006BKG
Medium - Foam Cell	LAND006BKF
Medium - Foam Cell Pro	LAND006BKP
Heavy - Nitro Gas	LAND006CKG
Heavy - Foam Cell	LAND006CKF
Heavy - Foam Cell Pro	LAND006CKP

SUSPENSION KIT CONTENTS

Shock Absorbers

Coil Springs



110 Series Trayback

Land Rover Defender

Product Description

Part No.

Qty
Req

Please check vehicle date range (if shown) next to product description prior to ordering

SUSPENSION TO SUIT LAND ROVER DEFENDER 110 SERIES

FRONT SUSPENSION

SHOCK ABSORBER

Nitro Gas - Performance			12080GR	2
Foam Cell - Performance			24080FE	2
Foam Cell Pro - Performance			45080FE	2

COIL SPRINGS

	Est. Lift	Additional Load		
Medium - V8 Petrol Engine	45mm	0 - 80kg	LAND007B	1
Medium - 2.5 Puma Engine	45mm	0 - 80kg	LAND009B	1
Medium - 2.2 Puma Engine	45mm	0 - 80kg	LAND014B	1

STEERING DAMPER

Foam Cell			3532	1
-----------	--	--	-------------	---

OFFSET CASTER BUSH KIT

Offset Bush Kit	Suits 1987+		1145SK	1
-----------------	-------------	--	---------------	---

• May cause driveline vibration on 1998+ models

REAR SUSPENSION

SHOCK ABSORBER

Nitro Gas - Performance			12640GR	2
Foam Cell - Performance			24640FE	2
Foam Cell Pro - Performance			45640FE	2

COIL SPRINGS

	Est. Lift	Additional Load		
Medium	45mm	0 - 300kg	LAND006B	1
Heavy	45mm	300kg - GVM	LAND006C	1

SUSPENSION KIT - Specify Front Coil Springs When Ordering

Medium - Nitro Gas	LAND007BKG
Medium - Foam Cell	LAND007BKF
Medium - Foam Cell Pro	LAND007BKP
Heavy - Nitro Gas	LAND007CKG
Heavy - Foam Cell	LAND007CKF
Heavy - Foam Cell Pro	LAND007CKP

SUSPENSION KIT CONTENTS

Shock Absorbers	Coil Springs
-----------------	--------------

Land Rover Defender

90 Series



Product Description

Part No.

Qty
Req

Please check vehicle date range (if shown) next to product description prior to ordering

SUSPENSION TO SUIT LAND ROVER DEFENDER 90 SERIES

FRONT SUSPENSION

SHOCK ABSORBER

Nitro Gas - Performance			12080GR	2
Foam Cell - Performance			24080FE	2
Foam Cell Pro - Performance			45080FE	2

COIL SPRINGS

	Est. Lift	Additional Load		
Medium	45mm	0 - 80kg	LAND009B	1

STEERING DAMPER

Foam Cell			3532	1
-----------	--	--	-------------	---

OFFSET CASTER BUSH KIT

Offset Bush Kit		Suits 1987+	1145SK	1
-----------------	--	-------------	---------------	---

• May cause driveline vibration on 1998+ models

REAR SUSPENSION

SHOCK ABSORBER

Nitro Gas - Performance			12640GR	2
Foam Cell - Performance			24640FE	2
Foam Cell Pro - Performance			45640FE	2

COIL SPRINGS

	Est. Lift	Additional Load		
Medium	45mm	0 - 300kg	LAND011B	1
Heavy	45mm	300kg - GVM	LAND011C	1

SUSPENSION KIT

Medium - Nitro Gas	LAND009BKG
Medium - Foam Cell	LAND009BKF
Medium - Foam Cell Pro	LAND009BKP
Heavy - Nitro Gas	LAND009CKG
Heavy - Foam Cell	LAND009CKF
Heavy - Foam Cell Pro	LAND009CKP

SUSPENSION KIT CONTENTS

Shock Absorbers

Coil Springs



(Coil Springs)
1971 to 1995

Land Rover Range Rover

Product Description

Part No.

Qty
Req

Please check vehicle date range (if shown) next to product description prior to ordering

SUSPENSION TO SUIT LAND ROVER RANGE ROVER - 1971-1995

FRONT SUSPENSION

SHOCK ABSORBER

Nitro Gas - Performance			12080GR	2
Foam Cell - Performance			24080FE	2
Foam Cell Pro - Performance			45080FE	2

COIL SPRINGS

	Est. Lift	Additional Load		
Medium	40mm	0 - 50kg	LAND009B	1
Heavy	40mm	50 - 110kg	LAND007B	1

STEERING DAMPER

Foam Cell			3511	1
-----------	--	--	-------------	---

OFFSET CASTER BUSH KIT

Offset Bush Kit		Suits 1986+	1145SK	1
-----------------	--	-------------	---------------	---

• May cause driveline vibration in automatic transmission models

REAR SUSPENSION

SHOCK ABSORBER

Nitro Gas - Performance			12640GR	2
Foam Cell - Performance			24640FE	2
Foam Cell Pro - Performance			45640FE	2

COIL SPRINGS

	Est. Lift	Additional Load		
Medium	40mm	0 - 300kg	LAND011B	1
Heavy	40mm	300kg - GVM	LAND011C	1

SUSPENSION KIT - Specify Front Coil Springs When Ordering

Medium - Nitro Gas	LAND009BKG
Medium - Foam Cell	LAND009BKF
Medium - Foam Cell Pro	LAND009BKP
Heavy - Nitro Gas	LAND009CKG
Heavy - Foam Cell	LAND009CKF
Heavy - Foam Cell Pro	LAND009CKP

SUSPENSION KIT CONTENTS

Shock Absorbers Coil Springs

Land Rover Discovery

Series 3 LR3 (Coil Springs)



Product Description

Part No.

Qty
Req

Please check vehicle date range (if shown) next to product description prior to ordering

SUSPENSION TO SUIT LAND ROVER DISCOVERY SERIES 3 - 2004-2009

FRONT SUSPENSION

COIL SPRINGS	Est. Lift	Additional Load		
Medium	45mm	0 - 50kg	LAND019B	1
Heavy	45mm	50 - 100kg	LAND019C	1

REAR SUSPENSION

COIL SPRINGS	Est. Lift	Additional Load		
Medium	45mm	0 - 200kg	LAND020B	1
Heavy	45mm	200kg - GVM	LAND020C	1

Land Rover Discovery

Series 2 (Coil Springs)
1999 to 2005

Product Description

Part No.

Qty
Req

Please check vehicle date range (if shown) next to product description prior to ordering

SUSPENSION TO SUIT LAND ROVER DISCOVERY SERIES 2 - 1999-2005

FRONT SUSPENSION

SHOCK ABSORBER				
Nitro Gas - Performance			12776GR	2
Foam Cell - Performance			24776FE	2
COIL SPRINGS	Est. Lift	Additional Load		
Medium	40mm	0 - 50kg	LAND014B	1
Heavy	40mm	50 - 110kg	LAND009B	1

STEERING DAMPER

Foam Cell		3502	1
-----------	--	-------------	---

REAR SUSPENSION

SHOCK ABSORBER				
Nitro Gas - Performance			12777GR	2
Foam Cell - Performance			24777FE	2
COIL SPRINGS	Est. Lift	Additional Load		
Medium	40mm	0 - 300kg	LAND011B	1
Heavy	40mm	300kg - GVM	LAND011C	1

SUSPENSION KIT - Specify Front Coil Springs When Ordering

Medium - Nitro Gas	LAND014BKG
Medium - Foam Cell	LAND014BKF
Heavy - Nitro Gas	LAND014CKG
Heavy - Foam Cell	LAND014CKF

SUSPENSION KIT CONTENTS

Shock Absorbers

Coil Springs



Series 1
1989 to 1998

SUSPENSION TO SUIT

Land Rover Discovery

Product Description

Part No.

Qty
Req

Please check vehicle date range (if shown) next to product description prior to ordering

SUSPENSION TO SUIT LAND ROVER DISCOVERY SERIES 1 - 1989-1998

FRONT SUSPENSION

SHOCK ABSORBER

Nitro Gas - Performance			12080GR	2
Foam Cell - Performance			24080FE	2
Foam Cell Pro - Performance			45080FE	2

COIL SPRINGS

	Est. Lift	Additional Load		
Medium	40mm	0 - 50kg	LAND009B	1
Heavy	40mm	50 - 110kg	LAND007B	1

STEERING DAMPER

Foam Cell			3511	1
-----------	--	--	-------------	---

OFFSET CASTER BUSH KIT

Offset Bush Kit			1145SK	1
-----------------	--	--	---------------	---

• May cause driveline vibration in automatic transmission models

REAR SUSPENSION

SHOCK ABSORBER

Nitro Gas - Performance			12640GR	2
Foam Cell - Performance			24640FE	2
Foam Cell Pro - Performance			45640FE	2

COIL SPRINGS

	Est. Lift	Additional Load		
Medium	40mm	0 - 300kg	LAND011B	1
Heavy	40mm	300kg - GVM	LAND011C	1

SUSPENSION KIT - Specify Front Coil Springs When Ordering

Medium - Nitro Gas	LAND009BKG
Medium - Foam Cell	LAND009BKF
Medium - Foam Cell Pro	LAND009BKP
Heavy - Nitro Gas	LAND009CKG
Heavy - Foam Cell	LAND009CKF
Heavy - Foam Cell Pro	LAND009CKP

SUSPENSION KIT CONTENTS

Shock Absorbers Coil Springs

LDV T60

2.8L Turbo Diesel
T60 Max 2021+
2017 to 2021

Product Description

Part No.

Qty
Req

Please check vehicle date range (if shown) next to product description prior to ordering

ACCESSORIES TO SUIT LDV T60 - 2017+

STEEL WINCH BULL BARS

Deluxe Bull Bar - (2017 to 2021 only)	BBCD068	
Raid Bull Bar - (T60 Max 2021+ only)	BBR096	
Raid Bull Bar Kit* - (T60 Max 2021+ only)	BBR096K	
Proguard No Loop Bull Bar - (2017 to 2021 only)	BBT068-NL	
Proguard Single Loop Kit	BB068-SL	
Proguard Triple Loop Kit	BB068-TL	
Driving Light / Lightbar Patch Loom - (T60 Max 2021+ only)	IPLS096	
120W Bright Sabre Single Row Lightbar 812mm (32") Straight to suit Raid Bull Bar	ILBSR002BW	1
<ul style="list-style-type: none"> Raid Bull Bars are compatible with IRONMAN 4X4 Lightbars, refer page 29-33 for available options Winch with Steel Cable and Roller Fairlead is not suitable - Use Winch with Synthetic Rope and Alloy Hawse only 		

STEEL SIDE STEPS AND RAILS

Side Steps - Dimple Step Design - (T60 Max 2021+ only)	SS096-D	
--	---------	--

TOWING

Rear Protection Towbar - (T60 Max 2021+ only)	RTB096	
---	--------	--

SLIDE-AWAY ROLL UP HARD TONNEAU COVER

Electric with Remote Control - (2017 to 2021 only)	ISLIDEAWAY068-E	
Manual Operation - (2017 to 2021 only)	ISLIDEAWAY068-M	
Sports Bar Adaptor - (2017 to 2021 only)	ISLIDEAWAY068-SBA	

ATLAS ROOF RACK KITS

Crossbar (x 2) and Fit Kit - 1375mm Width	IFRK094	
Platform G with Blade Fit Kit to Suit Slideaway Hard Tonneau Cover - 1390mm Length	IFRSLDAWAYPGK	
Crossbar (x 2) and Fit Kit to Suit Slideaway Hard Tonneau Cover - 1650mm Width	IFRSLDAWAYC2K	
<ul style="list-style-type: none"> See Page 38-41 for more Atlas rack, crossbar and accessory options. 		

BREATHER KIT

Universal Twin Manifold Filtered Breather Kit	IDIFFBRE	
---	----------	--

BULL BAR KIT* CONTENTS

Raid Bull Bar	Patch Loom	Lightbar	Driving Light Loom
---------------	------------	----------	--------------------

SUSPENSION TO SUIT LDV - 2017+

FRONT SUSPENSION

SHOCK ABSORBER

Nitro Gas Strut - Performance	12745GR	2
Foam Cell Strut - Performance	24745FE	2
Foam Cell Pro Strut - Performance	45745FE	2

COIL SPRINGS

	Est. Lift	Additional Load		
Medium	40mm	0 - 50kg	HOLD020A	1
Heavy	40mm	50 - 110kg	HOLD020B	1

STRUT MOUNTS

Steel Strut Top	ISST017	2
-----------------	---------	---

TRIM PACKERS

5mm Strut Trim Packer	Nitro Gas / Foam Cell	HILFR05/HILFR05F	2
10mm Strut Trim Packer	Nitro Gas / Foam Cell	HILFR10/HILFR10F	2
15mm Strut Trim Packer	Nitro Gas / Foam Cell	HILFR15/HILFR15F	2

* ONLY Compatible with IRONMAN 4X4 Struts (except Pro), lift height subject to 2:1 motion ratio. Unnecessary fitment may lift vehicle too high

CONTROL ARMS

Pro-Forge Upper Control Arms	UCA041FA-B	1
------------------------------	------------	---

• Does not suit models with Headlight Sensor Bracket on Upper Control Arm



2.8L Turbo Diesel
2017+

SUSPENSION TO SUIT

LDV T60

Product Description

Part No.

Qty
Req

Please check vehicle date range (if shown) next to product description prior to ordering

REAR SUSPENSION

SHOCK ABSORBER

Nitro Gas - Comfort			12636GRC	2
Nitro Gas - Performance			12636GR	2
Nitro Gas - Professional			12636GRP	2
Foam Cell - Comfort			24636FEC	2
Foam Cell - Performance			24636FE	2
Foam Cell - Professional			24636FEP	2
Foam Cell Pro - Comfort			45636FEC	2
Foam Cell Pro - Performance			45636FE	2
Foam Cell Pro - Professional			45636FEP	2

LEAF SPRINGS

	Est. Lift	Additional Load		
Medium	45mm	0 - 200kg	HOLD021A	2
Heavy	45mm	200 - 400kg	HOLD021B	2
Extra Heavy	45mm	400kg - 800kg	HOLD021C	2
Super Heavy	45mm	800kg - GVM	HOLD021D	2

U-BOLTS

U-Bolt Kit			437UBKL	2
------------	--	--	----------------	---

POLYURETHANE SPRING BUSHES

Bush Kit			770UK	1
----------	--	--	--------------	---

SPACER KIT

Headlight Bracket Extension Kit			1207K	1
Centre Bearing Spacer Kit			1208K	1

GREASABLE SHACKLES AND PINS

Greasable Shackle			1148	2
Non-Greasable Pin			387-1	2

HELPER SPRINGS

Load Plus Helper Springs			LP2	1
Add-A-Leaf			ISL6010	1

SUSPENSION KIT - Specify Front Coil Springs When Ordering

Medium - Nitro Gas	HOLD021AKG2
Medium - Foam Cell	HOLD021AKF2
Medium - Foam Cell Pro	HOLD021AKP2
Heavy - Nitro Gas	HOLD021BKG2
Heavy - Foam Cell	HOLD021BKF2
Heavy - Foam Cell Pro	HOLD021BKP2
Extra Heavy - Nitro Gas	HOLD021CKG2
Extra Heavy - Foam Cell	HOLD021CKF2
Extra Heavy - Foam Cell Pro	HOLD021CKP2
Super Heavy - Nitro Gas	HOLD021DKG2
Super Heavy - Foam Cell	HOLD021DKF2
Super Heavy - Foam Cell Pro	HOLD021DKP2

SUSPENSION KIT CONTENTS

Shock Absorbers	Coil Springs	U-Bolts	Headlight Bracket Kit
Strut Shock Absorbers	Leaf Springs	Polyurethane Spring Bushes	

Mahindra Scorpio

Getaway Pik-Up
2002 to 2016



Product Description

Part No.

Qty
Req

Please check vehicle date range (if shown) next to product description prior to ordering

SUSPENSION TO SUIT MAHINDRA SCORPIO GETAWAY PIK-UP - 2002-2016

FRONT SUSPENSION

SHOCK ABSORBER

Nitro Gas - Performance		12087GR	2
-------------------------	--	----------------	---

TORSION BAR

Up-rated Torsion Bars		MAH001	1
-----------------------	--	---------------	---

• Minimum 60mm downward suspension travel required after adjustment

REAR SUSPENSION

SHOCK ABSORBER

Nitro Gas - Performance	2002 - 2012	12749GR	2
-------------------------	-------------	----------------	---

Nitro Gas - Performance	2012+	12731GR	2
-------------------------	-------	----------------	---

• Check shock absorber specifications, some models can vary

LEAF SPRINGS

	Est. Lift	Additional Load		
Medium	40mm	0 - 200kg	MAH002B	2

U-BOLTS

U-Bolt Kit		1103UBK	2
------------	--	----------------	---

POLYURETHANE SPRING BUSHES

Bush Kit		719UK	1
----------	--	--------------	---

GREASABLE SHACKLES AND PINS

Greasable Shackle	Left side	353LH	1
-------------------	-----------	--------------	---

Greasable Shackle	Right side	353RH	1
-------------------	------------	--------------	---

Greasable Pin		1149	2
---------------	--	-------------	---

HELPER SPRINGS

Load Plus Helper Springs		LP4	1
--------------------------	--	------------	---

SUSPENSION KIT

Medium - Nitro Gas	MAH002BKG
--------------------	------------------

• Check rear shock absorber part number

SUSPENSION KIT CONTENTS

Shock Absorbers

Torsion Bars

Polyurethane Spring Bushes

Leaf Springs

U-Bolts



Wagon
2002 to 2014

SUSPENSION TO SUIT

Mahindra Scorpio

Product Description

Part No.

Qty
Req

Please check vehicle date range (if shown) next to product description prior to ordering

SUSPENSION TO SUIT MAHINDRA SCORPIO WAGON - 2002-2014

FRONT SUSPENSION

SHOCK ABSORBER

Nitro Gas - Performance

12087GR

2

TORSION BAR

Uprated Torsion Bars

MAH001

1

• Minimum 60mm downward suspension travel required after adjustment

REAR SUSPENSION

SHOCK ABSORBER

Nitro Gas - Performance

12749GR

2

• Check shock absorber specifications, some models can vary

COIL SPRINGS

Est. Lift

Additional Load

Medium

40mm

0 - 200kg

MAH003B

1

SUSPENSION KIT

Medium - Nitro Gas

MAH003BKG

SUSPENSION KIT CONTENTS

Shock Absorbers

Coil Springs

GO PREPARED



BULL BARS | SUSPENSION | RECOVERY POINTS

{ IRONMAN }
4X4

Mazda BT50

6/2020+

Product Description

Part No.

Qty
Req*Please check vehicle date range (if shown) next to product description prior to ordering***ACCESSORIES TO SUIT MAZDA BT50 - 6/2020+****STEEL WINCH BULL BARS**

Commercial Bull Bar	BBC080	
Deluxe Bull Bar	BBCD080	
Raid Bull Bar - Includes Integrated Recovery Points	BBR080	
Raid Bull Bar Kit*	BBR080K	
Proguard No Loop Bull Bar	BBT080-NL	
Proguard Single Loop Kit	BB080-SL	
Proguard Triple Loop Kit	BB080-TL	
Bull Bar Multi-Function Light Patch Loom	IBBPLO74	
Driving Light / Lightbar Patch Loom	IPLS074	
Driving Light / Lightbar Patch Loom - Factory LED Headlight models only - <i>While Stocks Last</i>	IPL074	
120W Bright Sabre Single Row Lightbar 812mm (32") Straight to suit Raid Bull Bar	ILBSR002BW	1
<ul style="list-style-type: none"> Raid Bull Bars are compatible with IRONMAN 4X4 Lightbars and 20W Cube Lights, refer page 29-33 for available options Winch with Steel Cable and Roller Fairlead is not suitable - Use Winch with Synthetic Rope and Alloy Hawse only 		

STEEL SIDE STEPS AND RAILS

Side Steps - Dimple Step Design	SS074-D	
Side Rails	SS074 RAIL	
Side Steps and Rails - Dimple Step Design	SSR074-D	

TOWING

Class 4 Towbar	TB080	
Rear Protection Towbar	RTB080	
Towbar Wiring Loom - Plug and Play	ITBL074	

RECOVERY POINTS - IRONMAN 4X4 BULL BAR ONLY

Recovery Points (Pair)	IRP080	
------------------------	--------	--

SNORKEL

6/2020+	ISNORKEL080	
---------	-------------	--

PREMIUM UNDERBODY PROTECTION

Engine Bay and Transmission - Electric Steering Model	UBP074S	
Engine Bay and Transmission - Non-Electric Steering Model	UBP074	

CANOPY - PINNACLE 2 FIBREGLASS (SIDE LIFT UP WINDOWS AND CENTRAL LOCKING REAR DOOR) - FITS 4X4 AND 4X2 DUAL CAB MODELS

Pre-Primed	ICANOPY074-P	
------------	--------------	--

** Pre-primed canopies, plus colour coding.***SLIDE-AWAY ROLL UP HARD TONNEAU COVER**

Electric with Remote Control	ISLIDEAWAY080-E	
------------------------------	-----------------	--

ATLAS DUAL CAB ROOF RACK KITS

Platform A with Blade Fit Kit (Dual Cab Only) - 1530mm Length	IFR074PAK	
Crossbar (x 2) and Fit Kit (Dual Cab Only) - 1250mm Width	IFR074C2K	
Platform K with Leg Fit Kit to Suit Pinnacle 2 Canopy - 1390mm Length	IFRP2PKK	
Crossbar (x 2) and Fit Kit to Suit Pinnacle 2 Canopy - 1250mm Width	IFRP2C125K	
Platform G with Blade Fit Kit to Suit Slideaway Hard Tonneau Cover - 1390mm Length	IFRSLDAWAYPGK	
Crossbar (x 2) and Fit Kit to Suit Slideaway Hard Tonneau Cover - 1650mm Width	IFRSLDAWAYC2K	

*• See Page 38-41 for more Atlas rack, crossbar and accessory options.***FENDER FLARE KITS**

Matte Black Smooth Finish 6" (Suits Dual Cab Only)	IFF6080	
<i>• Some flares may not be compatible if side rails/brush bars are fitted. Some flares may require slight trimming if snorkel is installed.</i>		

FLOOR MATS

Moulded Fit TPO Floor Mats - Front and Rear Set	FLMT074-RHD-2ROW	
---	------------------	--

SEAT COVER

Airbag Compatible Fabric Seat Covers - Front	SC074-CC-1R-A	
Airbag Compatible Fabric Seat Covers - Rear	SC074-CC-2R-A	

SUN SHADE

Vehicle Specific Sun Screen Shade - Front	SUNSHD074	
---	-----------	--

BREATHER KIT

Universal Twin Manifold Filtered Breather Kit	IDIFFBRE	
---	----------	--

BULL BAR KIT* CONTENTS

Raid Bull Bar	Patch Loom (2)	Strip Lights (4)	Driving Light Loom	Cube Light Adaptor	Lightbar	Cube Lights (2)
---------------	----------------	------------------	--------------------	--------------------	----------	-----------------



Mazda BT50

6/2020+



Product Description

Part No.

Qty
Req

Please check vehicle date range (if shown) next to product description prior to ordering

SUSPENSION TO SUIT MAZDA BT50 - 6/2020+

FRONT SUSPENSION

SHOCK ABSORBER

Nitro Gas Strut - Performance			12845GR	2
Foam Cell Strut - Performance			24845FE	2
Foam Cell Pro Strut - Performance			45845FE	2

COIL SPRINGS

	Est. Lift	Additional Load		
Standard	0mm	0 - 50kg	HOLD020S	1
Light	30mm	0 - 50kg	HOLD020A	1
Medium	40mm	0 - 50kg	HOLD020B	1
Heavy	40mm	50 - 110kg	HOLD020C	1

STRUT MOUNTS

Steel Strut Top			ISST017	2
-----------------	--	--	----------------	---

CONTROL ARMS

Pro-Forge Upper Control Arms			UCA074FA-B	1
------------------------------	--	--	-------------------	---

TRIM PACKERS

5mm Strut Trim Packer	Nitro Gas / Foam Cell	HILFR05/HILFR05F	2
10mm Strut Trim Packer	Nitro Gas / Foam Cell	HILFR10/HILFR10F	2
15mm Strut Trim Packer	Nitro Gas / Foam Cell	HILFR15/HILFR15F	2

• ONLY Compatible with IRONMAN 4X4 Struts (except Pro), lift height subject to 2:1 motion ratio. Unnecessary fitment may lift vehicle too high

REAR SUSPENSION

SHOCK ABSORBER

Nitro Gas - Comfort			12698GRC	2
Nitro Gas - Performance			12698GR	2
Nitro Gas - Professional			12698GRP	2
Foam Cell - Comfort			24698FEC	2
Foam Cell - Performance			24698FE	2
Foam Cell - Professional			24698FEP	2
Foam Cell Pro - Comfort			45698FEC	2
Foam Cell Pro - Performance			45698FE	2
Foam Cell Pro - Professional			45698FEP	2

LEAF SPRINGS

	Est. Lift	Additional Load		
Light	30mm	0 - 200kg	HOLD021A	2
Medium	45mm	0 - 300kg	HOLD021B	2
Heavy	45mm	300kg - 600kg	HOLD021C	2
Extra Heavy	45mm	600kg - GVM	HOLD021D	2

U-BOLTS

U-Bolt Kit			437UBKL	2
U-Bolt Kit	Suits HOLD021D		678UBK	2

POLYURETHANE SPRING BUSHES

Bush Kit			770UK	1
----------	--	--	--------------	---

SPACER KIT

Brake Hose Relocation Kit			1152K	1
---------------------------	--	--	--------------	---

GREASABLE SHACKLES AND PINS

Greasable Shackle			1156	2
Non-Greasable Pin			387-1	2

HELPER SPRINGS

Add-A-Leaf			ISL6010	1
------------	--	--	----------------	---



6/2020+

SUSPENSION TO SUIT

Mazda BT50

Product Description

Part No.

Qty
Req

Please check vehicle date range (if shown) next to product description prior to ordering

SUSPENSION KIT - Specify Front Coil Springs When Ordering

Light - Nitro Gas	HOLD021AKG3
Light - Foam Cell	HOLD021AKF3
Light - Foam Cell Pro	HOLD021AKP3
Medium - Nitro Gas	HOLD021BKG3
Medium - Foam Cell	HOLD021BKF3
Medium - Foam Cell Pro	HOLD021BKP3
Heavy - Nitro Gas	HOLD021CKG3
Heavy - Foam Cell	HOLD021CKF3
Heavy - Foam Cell Pro	HOLD021CKP3
Extra Heavy - Nitro Gas	HOLD021DKG3
Extra Heavy - Foam Cell	HOLD021DKF3
Extra Heavy - Foam Cell Pro	HOLD021DKP3

SUSPENSION KIT CONTENTS

Shock Absorbers	Coil Springs	Polyurethane Spring Bushes	Brake Hose Relocation Kit
Strut Shock Absorbers	Leaf Springs	U-Bolts	

OPTIONS AVAILABLE FOR THIS VEHICLE - SEE PAGE 388



Mazda BT50

2012 to 5/2020
Includes 5/2018 (Facelift)

Product Description

Part No.

Qty
Req

Please check vehicle date range (if shown) next to product description prior to ordering

ACCESSORIES TO SUIT MAZDA BT50 - 2012-5/2020

STEEL WINCH BULL BARS

Commercial Bull Bar	BBC039	
Deluxe Bull Bar	BBCD039	
Raid Bull Bar - Includes Integrated Recovery Points	BBR039	
Raid Bull Bar Kit*	BBR039K	
Proguard No Loop Bull Bar	BBT039-NL	
Proguard Single Loop Kit	BB054-SL	
Proguard Triple Loop Kit	BB039-TL	
Bull Bar Multi-Function Light Patch Loom	IBBPLO39	
Driving Light / Lightbar Patch Loom	IPLS039	
120W Bright Sabre Single Row Lightbar 812mm (32") Straight to suit Raid Bull Bar	ILBSR002BW	1

* Raid Bull Bars are compatible with IRONMAN 4X4 Lightbars and 20W Cube Lights, refer page 29-33 for available options

* Can also be fitted to both 2WD and 4WD models.

STEEL SIDE STEPS AND RAILS - FITS DUAL CAB MODELS ONLY

Side Steps Rails	SSR039	
------------------	--------	--

TOWING

Class 4 Towbar - Compatible with Factory Rear Bumper	TB066	
Rear Protection Towbar - Full Rear Bumper Replacement	RTB066	
Rear Protection Towbar Plates (Pair)	RTBPLATE001	
Towbar Wiring Loom - Plug and Play	ITBL039	

RECOVERY POINTS - IRONMAN 4X4 BULL BAR ONLY

Recovery Points - 5000kg Rating (Pair)	IRP054	
--	--------	--

BATTERY TRAY - DUAL CAB ONLY

Suits 10" Battery	IBTRAY054	
-------------------	-----------	--

LONG RANGE FUEL TANK

140L* - Fits 3.2L Diesel only	TANK007	
-------------------------------	---------	--

* Usable volume may differ to the stated tank capacity

PREMIUM UNDERBODY PROTECTION

Engine Bay and Transmission	UBP054	
Engine Bay and Transmission - DPF Models (Retains factory transmission plate)	UBP055	



2012 to 5/2020
Includes 5/2018 (Facelift)

Mazda BT50

Product Description

Part No.

Qty Req

Please check vehicle date range (if shown) next to product description prior to ordering

CANOPY - ABS PLASTIC (SIDE LIFT UP WINDOWS AND CENTRAL LOCKING REAR DOOR) - FITS 4X4 AND 4X2 DUAL CAB MODELS

Pre-Primed	CANOPY010-P †
Winning Blue (WVW)	CANOPY010-WB
Magnetic Grey (WVQ)	CANOPY010-M †
Jet Black Mica (41W)	CANOPY018-B
ABS Canopy Rack Feet	IRRFEETABS14

- Includes tub strengthening bracket (CANOPY010 BRACKET)
- Colour code and build date must be confirmed for Aluminium Metallic Canopies (CANOPY010-AM)
- See Page 38 for 1.4m Roof Rack options and pricing.

† With central locking

CANOPY - PINNACLE SMOOTH FINISH FIBREGLASS (SIDE LIFT UP WINDOWS AND CENTRAL LOCKING REAR DOOR) - FITS 4X4 AND 4X2 DUAL CAB MODELS

Frozen White (WVZ)	CANFIBRE054-FW
Magnetic Grey (WVQ)	CANFIBRE054-M
Shadow Black (UO)	CANFIBRE054-SB

CANOPY - PINNACLE 2 SMOOTH FINISH FIBREGLASS (SIDE LIFT UP WINDOWS AND CENTRAL LOCKING REAR DOOR) - FITS 4X4 AND 4X2 DUAL CAB MODELS

Pre-Primed	ICANOPY054-P
Aluminium Metallic (SWR) (38P)	ICANOPY054-AM
Arctic White (SWU)	ICANOPY054-AW
Blue Lightning (SW3)	ICANOPY054-BL
Frozen White (WVZ)	ICANOPY054-FW
Meteor Grey (42A) (SWT)	ICANOPY054-G
Shadow Black (UO)	ICANOPY054-SB

* Pre-primed canopies, plus colour coding.

TUB STRENGTHENING BRACKET

To suit all Canopies - (Must be fitted)

CANOPY010 BRACKET

SLIDE-AWAY ROLL UP HARD TONNEAU COVER

Electric with Remote Control

ISLIDEAWAY054-E

ATLAS DUAL CAB ROOF RACK KITS

Platform A with Blade Fit Kit (Dual Cab Only) - 1530mm Length	IFR054PAK
Crossbar (x 2) and Fit Kit (Dual Cab) - 1250mm Width	IFR054C2K
Platform K with Leg Fit Kit to Suit Pinnacle 2 Canopy - 1390mm Length	IFRP2PKK
Crossbar (x 2) and Fit Kit to Suit Pinnacle 2 Canopy - 1250mm Width	IFRP2C125K
Platform G with Blade Fit Kit to Suit Slideaway Hard Tonneau Cover - 1390mm Length	IFRSLDAWAYPGK
Crossbar (x 2) and Fit Kit to Suit Slideaway Hard Tonneau Cover - 1650mm Width	IFRSLDAWAYC2K

• See Page 38-41 for more Atlas rack, crossbar and accessory options.

FENDER FLARE KITS

Matte Black Smooth Finish 6" (Suits Dual Cab with Side Indicator Light Only)	IFF6039I
Matte Black Smooth Finish 6" (Suits Dual Cab Only)	IFF6039

• Some flares may not be compatible if side rails/brush bars are fitted. Some flares may require slight trimming if snorkel is installed.

BREATHER KIT

Universal Twin Manifold Filtered Breather Kit	IDIFFBRE
---	----------

BULL BAR KIT* CONTENTS

Raid Bull Bar	Patch Loom	Driving Light Loom	Cube Light Adaptor	Lightbar	Cube Lights (4)
---------------	------------	--------------------	--------------------	----------	-----------------



Mazda BT50

2011 to 5/2020



Product Description

Part No.

Qty
Req

Please check vehicle date range (if shown) next to product description prior to ordering

SUSPENSION TO SUIT MAZDA BT50 - 2011-5/2020

FRONT SUSPENSION

SHOCK ABSORBER

Nitro Gas Strut - Performance			12727GR	2
Foam Cell Strut - Performance			24727FE	2
Foam Cell Pro Strut - Performance			45727FE	2

COIL SPRINGS

	Est. Lift	Additional Load		
Standard	0mm	0 - 50kg	FOR001S	1
Light	35mm	0 - 50kg	FOR001A	1
Medium	40mm	0 - 50kg	FOR001B	1
Heavy	45mm	50 - 110kg	FOR001C	1

STRUT MOUNTS

Steel Strut Top			ISST014	2
-----------------	--	--	----------------	---

TRIM PACKERS

5mm Strut Trim Packer	Nitro Gas / Foam Cell	HILFR05/HILFR05F	2
10mm Strut Trim Packer	Nitro Gas / Foam Cell	HILFR10/HILFR10F	2
15mm Strut Trim Packer	Nitro Gas / Foam Cell	HILFR15/HILFR15F	2

• ONLY Compatible with IRONMAN 4X4 Struts (except Pro), lift height subject to 2:1 motion ratio. Unnecessary fitment may lift vehicle too high

CONTROL ARMS

Pro-Forge Upper Control Arms			UCA054FA-B	1
------------------------------	--	--	-------------------	---

SPACER KIT

Sway Bar Relocation Kit			1203K	1
-------------------------	--	--	--------------	---

REAR SUSPENSION

SHOCK ABSORBER

Nitro Gas - Comfort			12095GRC	2
Nitro Gas - Performance			12095GR	2
Foam Cell - Comfort			24095FEC	2
Foam Cell - Performance			24095FE	2
Foam Cell - Professional			24095FEP	2
Foam Cell Pro - Comfort			45095FEC	2
Foam Cell Pro - Performance			45095FE	2
Foam Cell Pro - Professional			45095FEP	2

LEAF SPRINGS

	Est. Lift	Additional Load		
Light	40mm	0 - 200kg	FOR002A	2
Medium	45mm	0 - 300kg	FOR002B	2
Heavy	45mm	300kg - GVM	FOR002C	2

• Possible driveline vibration may occur due to increased ride height, use 1194K to reduce vibration to satisfactory level

U-BOLTS

U-Bolt Kit			417UBK	2
------------	--	--	---------------	---

POLYURETHANE SPRING BUSHES

Bush Kit			1193UK	1
----------	--	--	---------------	---

DRIVELINE SPACERS

Centre Bearing Spacer Kit			1194K	1
---------------------------	--	--	--------------	---

GREASABLE SHACKLES AND PINS

Greasable Shackle			1147	2
Non-Greasable Pin			387-1	2

HELPER SPRINGS

Load Plus Helper Springs			LP3	1
Add-A-Leaf			ISL6010	1



2011 to 5/2020

SUSPENSION TO SUIT

Mazda BT50

Product Description

Part No.

Qty
Req

Please check vehicle date range (if shown) next to product description prior to ordering

SUSPENSION KIT - Specify Front Coil Springs When Ordering

Light - Nitro Gas	FOR001AKG
Light - Foam Cell	FOR001AKF
Light - Foam Cell Pro	FOR001AKP
Medium - Nitro Gas	FOR001BKG
Medium - Foam Cell	FOR001BKF
Medium - Foam Cell Pro	FOR001BKP
Heavy - Nitro Gas	FOR001CKG
Heavy - Foam Cell	FOR001CKF
Heavy - Foam Cell Pro	FOR001CKP

• Possible driveline vibration may occur due to increased ride height, use 1194K to reduce vibration to satisfactory level.

SUSPENSION KIT CONTENTS

Shock Absorbers	Coil Springs	Polyurethane Spring Bushes	Centre Bearing Spacer Kit
Strut Shock Absorbers	Leaf Springs	U-Bolts	

Mazda BT50

J97M
2006 to 2011

Product Description

Part No.

Qty
Req*Please check vehicle date range (if shown) next to product description prior to ordering*

ACCESSORIES TO SUIT MAZDA BT50 - 2006-2011

STEEL WINCH BULL BARS

Deluxe Bull Bar

BBCD024

*• Can also be fitted to both 2WD and 4WD models.***STEEL SIDE STEPS AND RAILS - FITS DUAL CAB MODELS ONLY**

Side Steps

SS009

Side Steps and Rails

SSR007

SNORKEL

3.0L TDi Diesel

ISNORKE024

LONG RANGE FUEL TANK

122L* - Fits Dual and Single Cab only

TANK006

** Usable volume may differ to the stated tank capacity***BREATHER KIT**

Universal Twin Manifold Filtered Breather Kit

IDIFFBRE



2006 to 2011

SUSPENSION TO SUIT

Mazda BT50

Product Description

Part No.

Qty
Req

Please check vehicle date range (if shown) next to product description prior to ordering

SUSPENSION TO SUIT MAZDA BT50 - 2006-2011

FRONT SUSPENSION

SHOCK ABSORBER

Nitro Gas - Performance		12667GR	2
Foam Cell - Performance		24667FE	2
Foam Cell Pro - Performance		45667FE	2

TORSION BAR

Uprated Torsion Bars	Duratorq Engine	MAZDA014	1
Uprated Torsion Bars	2.5L WLT Engine	MAZDA005	1

- MAZDA014 is 1024mm in length, used on most vehicles. Vehicles with 2.5L WLT Engine use MAZDA005 (924mm) Torsion Bar
- Minimum 60mm downward suspension travel required after adjustment

REAR SUSPENSION

SHOCK ABSORBER

Nitro Gas - Comfort		12095GRC	2
Nitro Gas - Performance		12095GR	2
Foam Cell - Comfort		24095FEC	2
Foam Cell - Performance		24095FE	2
Foam Cell - Professional		24095FEP	2
Foam Cell Pro - Comfort		45095FEC	2
Foam Cell Pro - Performance		45095FE	2
Foam Cell Pro - Professional		45095FEP	2

LEAF SPRINGS

	Est. Lift	Additional Load		
Light	40mm	0 - 100kg	MAZDA041A	2
Medium	40mm	0 - 200kg	MAZDA041B	2
Heavy	40mm	200 - 400kg	MAZDA041C	2
Extra Heavy	40mm	400kg - GVM	MAZDA041D	2

U-BOLTS

U-Bolt Kit		417UBK	2
------------	--	---------------	---

POLYURETHANE SPRING BUSHES

Bush Kit		759UK	1
----------	--	--------------	---

GREASABLE SHACKLES AND PINS

Greasable Shackle		386-1	2
-------------------	--	--------------	---

HELPER SPRINGS

Load Plus Helper Springs		LP3	1
Add-A-Leaf		ISL6010	1

SUSPENSION KIT

Light - Nitro Gas	MAZDA041AKG
Light - Foam Cell	MAZDA041AKF
Light - Foam Cell Pro	MAZDA041AKP
Medium - Nitro Gas	MAZDA041BKG
Medium - Foam Cell	MAZDA041BKF
Medium - Foam Cell Pro	MAZDA041BKP
Heavy - Nitro Gas	MAZDA041CKG
Heavy - Foam Cell	MAZDA041CKF
Heavy - Foam Cell Pro	MAZDA041CKP
Extra Heavy - Nitro Gas	MAZDA041DKG
Extra Heavy - Foam Cell	MAZDA041DKF
Extra Heavy - Foam Cell Pro	MAZDA041DKP

- Check Torsion Bar length before ordering

SUSPENSION KIT CONTENTS

Shock Absorbers	Torsion Bars	Polyurethane Spring Bushes
Leaf Springs	U-Bolts	

Alu-Cab™

ULTIMATE OVERLAND PRODUCTS



ICARUS
Roof conversion
to Suit Defender 110

{ IRONMAN }
4X4



Bravo
1987 to 2006

Mazda B Series

Product Description

Part No.

Qty Req

Please check vehicle date range (if shown) next to product description prior to ordering

SUSPENSION TO SUIT MAZDA B SERIES BRAVO - 1987-2006

FRONT SUSPENSION

SHOCK ABSORBER

Nitro Gas - Performance	12667GR	2
Foam Cell - Performance	24667FE	2
Foam Cell Pro - Performance	45667FE	2

TORSION BAR

Uprated Torsion Bars	MAZDA005	1
----------------------	----------	---

• Minimum 60mm downward suspension travel required after adjustment

REAR SUSPENSION

SHOCK ABSORBER

Nitro Gas - Comfort	12095GRC	2
Nitro Gas - Performance	12095GR	2
Foam Cell - Comfort	24095FEC	2
Foam Cell - Performance	24095FE	2
Foam Cell - Professional	24095FEP	2
Foam Cell Pro - Comfort	45095FEC	2
Foam Cell Pro - Performance	45095FE	2
Foam Cell Pro - Professional	45095FEP	2

LEAF SPRINGS

	Est. Lift	Additional Load		
Light	40mm	0 - 100kg	MAZDA006A	2
Medium	40mm	0 - 200kg	MAZDA006B	2
Heavy	40mm	200 - 400kg	MAZDA006C	2
Extra Heavy	40mm	400kg - GVM	MAZDA006D	2

U-BOLTS

U-Bolt Kit	415UBK	2
------------	--------	---

POLYURETHANE SPRING BUSHES

Bush Kit	756UK	1
----------	-------	---

GREASABLE SHACKLES AND PINS

Greasable Shackle	386-1	2
Greasable Pin	794	2

HELPER SPRINGS

Load Plus Helper Springs	LP3	1
Add-A-Leaf	ISL6010	1

SUSPENSION KIT

Light - Nitro Gas	MAZDA006AKG
Light - Foam Cell	MAZDA006AKF
Light - Foam Cell Pro	MAZDA006AKP
Medium - Nitro Gas	MAZDA006BKG
Medium - Foam Cell	MAZDA006BKF
Medium - Foam Cell Pro	MAZDA006BKP
Heavy - Nitro Gas	MAZDA006CKG
Heavy - Foam Cell	MAZDA006CKF
Heavy - Foam Cell Pro	MAZDA006CKP
Extra Heavy - Nitro Gas	MAZDA006DKG
Extra Heavy - Foam Cell	MAZDA006DKF
Extra Heavy - Foam Cell Pro	MAZDA006DKP

SUSPENSION KIT CONTENTS

Shock Absorbers	Torsion Bars	Polyurethane Spring Bushes
Leaf Springs	U-Bolts	

Mercedes-Benz G-Wagen

W460, W461, W463
1979+

Product Description

Part No.

Qty
Req

Please check vehicle date range (if shown) next to product description prior to ordering

SUSPENSION TO SUIT MERCEDES-BENZ G-WAGEN W460, W461, W463 - 1979+

FRONT SUSPENSION

SHOCK ABSORBER

Nitro Gas - Performance			12811GR	2
Foam Cell - Performance			24811FE	2

COIL SPRINGS

	Est. Lift	Additional Load		
Medium	45mm	0 - 50kg	MERC020B	1

REAR SUSPENSION

SHOCK ABSORBER

Nitro Gas - Performance			12812GR	2
Foam Cell - Performance			24812FE	2

COIL SPRINGS

	Est. Lift	Additional Load		
Medium	45mm	0 - 300kg	MERC021B	1

SUSPENSION KIT

Medium - Nitro Gas	MERC021BKG
Medium - Foam Cell	MERC021BKF

SUSPENSION KIT CONTENTS

Shock Absorbers Coil Springs

Mercedes-Benz G-Wagen

G55 AMG



Product Description

Part No.

Qty
Req

Please check vehicle date range (if shown) next to product description prior to ordering

SUSPENSION TO SUIT MERCEDES-BENZ G-WAGEN G55 AMG

FRONT SUSPENSION

SHOCK ABSORBER

Foam Cell - Performance			24788FE	2
-------------------------	--	--	----------------	---

COIL SPRINGS

	Est. Lift	Additional Load		
Medium	45mm	0 - 50kg	MERC015B	1

REAR SUSPENSION

SHOCK ABSORBER

Foam Cell - Performance			24789FE	2
-------------------------	--	--	----------------	---

COIL SPRINGS

	Est. Lift	Additional Load		
Medium	45mm	0 - 300kg	MERC016B	1

SUSPENSION KIT

Medium - Foam Cell	MERC015BKF
--------------------	-------------------

SUSPENSION KIT CONTENTS

Shock Absorbers Coil Springs



UL1700, 2450, U5000
1300, 1550, U4000

SUSPENSION TO SUIT

Mercedes-Benz Unimog

Product Description

Part No.

Qty
Req

Please check vehicle date range (if shown) next to product description prior to ordering

SUSPENSION TO SUIT MERCEDES-BENZ UNIMOG

FRONT SUSPENSION

SHOCK ABSORBER

Foam Cell Pro - Performance	10 Bolt Axle Models	45802FE	2
Foam Cell Pro - Performance	6 Bolt Axle Models	45803FE	2

REAR SUSPENSION

SHOCK ABSORBER

Foam Cell Pro - Performance	10 Bolt Axle Models	45802FE	2
Foam Cell Pro - Performance	6 Bolt Axle Models	45803FE	2

Mercedes-Benz X-Class

4 Cyl Models
2017 to 5/2020

Product Description

Part No.

Qty
Req

Please check vehicle date range (if shown) next to product description prior to ordering

SUSPENSION TO SUIT MERCEDES-BENZ X-CLASS - 2017-5/2020

FRONT SUSPENSION

SHOCK ABSORBER

Nitro Gas Strut - Performance			12716GR	2
Foam Cell Strut - Performance			24716FE	2
Foam Cell Pro Strut - Performance			45716FE	2

• Foam Cell Pro contains a single adjusting ring for driveshaft clearance

COIL SPRINGS

	Est. Lift	Additional Load		
Standard Height	0mm	0 - 50kg	NISS040A	1
Light	20mm	0 - 50kg	NISS040B	1
Medium	35mm	0 - 80kg	NISS040C	1
Heavy	40mm	50 - 110kg	NISS040D	1

STRUT MOUNTS

Steel Strut Top			ISST007	2
-----------------	--	--	---------	---

TRIM PACKERS

5mm Strut Trim Packer	Nitro Gas / Foam Cell	HILFR05/HILFR05F	2
10mm Strut Trim Packer	Nitro Gas / Foam Cell	HILFR10/HILFR10F	2
15mm Strut Trim Packer	Nitro Gas / Foam Cell	HILFR15/HILFR15F	2

• ONLY Compatible with IRONMAN 4X4 Struts (except Pro), lift height subject to 2:1 motion ratio. Unnecessary fitment may lift vehicle too high

REAR SUSPENSION

SHOCK ABSORBER

Nitro Gas - Performance			12728GR	2
Foam Cell - Performance			24728FE	2
Foam Cell - Professional			24728FEP	2
Foam Cell Pro - Comfort			45728FEC	2
Foam Cell Pro - Performance			45728FE	2
Foam Cell Pro - Professional			45728FEP	2

COIL SPRINGS

	Est. Lift	Additional Load		
Light	20mm	0 - 200kg	NISS058A	1
Medium	40mm	0 - 300kg	NISS058B	1
Heavy	40mm	300kg - 600kg	NISS058C	1
Extra Heavy	45mm	600kg - GVM	NISS058D	1

COIL SPACER

Polyurethane 20mm			NAVR20	2
-------------------	--	--	--------	---

SPACER KIT

Sway Bar and Headlight Bracket Extension Kit			1204K	1
--	--	--	-------	---

SUSPENSION KIT - Specify Front Coil Springs When Ordering

Medium - Nitro Gas	NISS058BKG
Medium - Foam Cell	NISS058BKF
Medium - Foam Cell Pro	NISS058BKP
Heavy - Nitro Gas	NISS058CKG
Heavy - Foam Cell	NISS058CKF
Heavy - Foam Cell Pro	NISS058CKP
Extra Heavy - Nitro Gas	NISS058DKG
Extra Heavy - Foam Cell	NISS058DKF
Extra Heavy - Foam Cell Pro	NISS058DKP

SUSPENSION KIT CONTENTS

Shock Absorbers	Coil Springs
Strut Shock Absorbers	Sway Bar and Headlight Bracket Kit



7/2019+

Mitsubishi Pajero Sport

Product Description

Part No.

Qty
Req

Please check vehicle date range (if shown) next to product description prior to ordering

ACCESSORIES TO SUIT MITSUBISHI PAJERO SPORT - 7/2019+

STEEL WINCH BULL BARS

Deluxe Bull Bar	BBCD079
Proguard No Loop Bull Bar	BBT079-NL
Bull Bar Multi-Function Light Patch Loom	IBBPLO79
Driving Light / Lightbar Patch Loom - (Suits QF model only)	IPLS079

• Winch with Steel Cable and Roller Fairlead is not suitable - Use Winch with Synthetic Rope and Alloy Hawse only

STEEL SIDE STEPS AND RAILS

Side Steps	SS079
------------	-------

RECOVERY POINTS - IRONMAN 4X4 BULL BAR ONLY

Recovery Points - 5000kg Rating (Pair)	IRP059
--	--------

PREMIUM UNDERBODY PROTECTION

Engine Bay and Transmission	UBP050
-----------------------------	--------

ATLAS DUAL CAB ROOF RACK KITS

Platform E with Blade Fit Kit - 2130mm Length	IFR079PEK
---	-----------

• See Page 38-41 for more Atlas rack, crossbar and accessory options.

SUSPENSION TO SUIT MITSUBISHI PAJERO SPORT - 7/2019+

FRONT SUSPENSION

SHOCK ABSORBER

Nitro Gas Strut - Performance	12715GR	2
Foam Cell Strut - Performance	24715FE	2
Foam Cell Pro Strut - Performance* (SEE NOTE)	45715FE	2

*NOTE: MANDATORY FITMENT of UCA050FA and MITS045B /C Coil Springs with 45715FE

COIL SPRINGS

	Est. Lift	Additional Load		
Medium	15mm	0 - 50kg	MITS040B	1
Medium* (SEE NOTE)	50mm	0 - 50kg	MITS045B *	1
Heavy	30mm	50 - 110kg	MITS040C	1
Heavy* (SEE NOTE)	50mm	50 - 110kg	MITS045C *	1

*NOTE: MANDATORY FITMENT of UCA050FA and 45715FE with (MITS045B /C) Coil Springs

STRUT MOUNTS

Steel Strut Top	ISST010	2
-----------------	---------	---

TRIM PACKERS

5mm Strut Trim Packer	Nitro Gas / Foam Cell	HILFR05/HILFR05F	2
10mm Strut Trim Packer	Nitro Gas / Foam Cell	HILFR10/HILFR10F	2
15mm Strut Trim Packer	Nitro Gas / Foam Cell	HILFR15/HILFR15F	2

• ONLY Compatible with IRONMAN 4X4 Struts, lift height subject to 2:1 motion ratio. Unnecessary fitment may lift vehicle too high

CONTROL ARMS

Pro-Forge Upper Control Arms*	UCA050FA-B	1
-------------------------------	------------	---

*NOTE: May require the fitment of additional droop stop shim (UCAPO50) to prevent CV bind

REAR SUSPENSION

SHOCK ABSORBER

Nitro Gas - Performance	12645GRS	2
Foam Cell - Performance	24645FES	2

COIL SPRINGS

	Est. Lift	Additional Load		
Light	15mm	0 - 200kg	MITS042A	1
Medium	30mm	0 - 250kg	MITS042B	1
Medium - with Accessories	40mm	250-500kg	MITS020B	1
Heavy	40mm	300kg - GVM	MITS042C	1

• Check LHS rear coil captivity when lowering to ground

SUSPENSION KIT - Specify Front Coil Springs When Ordering

Medium - Nitro Gas	MITS042BKG1
Medium - Foam Cell	MITS042BKF1
Heavy - Nitro Gas	MITS042CKG1
Heavy - Foam Cell	MITS042CKF1

• Please note limited lift height, due to restrictions in vehicle design.

SUSPENSION KIT CONTENTS

Shock Absorbers

Strut Shock Absorbers

Coil Springs

Mitsubishi Pajero Sport

2015 to 6/2019



Product Description

Part No.

Qty
Req

Please check vehicle date range (if shown) next to product description prior to ordering

ACCESSORIES TO SUIT MITSUBISHI PAJERO SPORT - 11/2016-6/2019

STEEL WINCH BULL BARS

Deluxe Bull Bar* - Suits GLX and GLS	BBCD059
Exceed Kit - Required for Exceed model	BB059-EXCEEDKIT
Proguard No Loop Bull Bar	BBT059-NL
Proguard Single Loop Kit	BB059-SL
Proguard Triple Loop Kit	BB059-TL
Bull Bar Multi-Function Light Patch Loom	IBBPL079
Driving Light / Lightbar Patch Loom - (Suits QF model only)	IPLS079
Driving Light / Lightbar Patch Loom - <i>While Stocks Last</i>	IPL059

* Winch with Steel Cable and Roller Fairlead is not suitable - Use Winch with Synthetic Rope and Alloy Hawse only
* Do not fit winch control box in front of Mitsubishi Badge for vehicles with Radar.

STEEL SIDE STEPS AND RAILS - BODY MOUNT ONLY DUE TO ELECTRIC HANDBRAKE

Side Steps	SS059
------------	-------

RECOVERY POINTS - IRONMAN 4X4 BULL BAR ONLY

Recovery Points - 5000kg Rating (Pair)	IRP059
--	--------

SUSPENSION TO SUIT MITSUBISHI PAJERO SPORT - 2015-6/2019

FRONT SUSPENSION

SHOCK ABSORBER

Nitro Gas Strut - Performance	12715GR	2
Foam Cell Strut - Performance	24715FE	2
Foam Cell Pro Strut - Performance* (SEE NOTE)	45715FE	2

*NOTE: MANDATORY FITMENT of UCA050FA and MITS045B /C Coil Springs with 45715FE

COIL SPRINGS

	Est. Lift	Additional Load		
Medium	15mm	0 - 50kg	MITS040B	1
Medium* (SEE NOTE)	50mm	0 - 50kg	MITS045B *	1
Heavy	30mm	50 - 110kg	MITS040C	1
Heavy* (SEE NOTE)	50mm	50 - 110kg	MITS045C *	1

*NOTE: MANDATORY FITMENT of UCA050FA and 45715FE with (MITS045B /C) Coil Springs

STRUT MOUNTS

Steel Strut Top	ISST010	2
-----------------	---------	---

TRIM PACKERS

5mm Strut Trim Packer	Nitro Gas / Foam Cell	HILFR05/HILFR05F	2
10mm Strut Trim Packer	Nitro Gas / Foam Cell	HILFR10/HILFR10F	2
15mm Strut Trim Packer	Nitro Gas / Foam Cell	HILFR15/HILFR15F	2

* ONLY Compatible with IRONMAN 4X4 Struts, lift height subject to 2:1 motion ratio. Unnecessary fitment may lift vehicle too high

CONTROL ARMS

Pro-Forge Upper Control Arms*	UCA050FA-B	1
-------------------------------	------------	---

*NOTE: May require the fitment of additional droop stop shim (UCAP050) to prevent CV bind

REAR SUSPENSION

SHOCK ABSORBER

Nitro Gas - Performance	12645GRS	2
Foam Cell - Performance	24645FES	2

COIL SPRINGS

	Est. Lift	Additional Load		
Light	15mm	0 - 200kg	MITS042A	1
Medium	30mm	0 - 250kg	MITS042B	1
Medium - with Accessories	40mm	250-500kg	MITS020B	1
Heavy	40mm	300kg - GVM	MITS042C	1

* Check LHS rear coil captivity when lowering to ground

SUSPENSION KIT - Specify Front Coil Springs When Ordering

Medium - Nitro Gas	MITS042BKG1
Medium - Foam Cell	MITS042BKF1
Heavy - Nitro Gas	MITS042CKG1
Heavy - Foam Cell	MITS042CKF1

* Please note limited lift height, due to restrictions in vehicle design.

SUSPENSION KIT CONTENTS

Shock Absorbers

Strut Shock Absorbers

Coil Springs



NW 2011 to NX

Mitsubishi Pajero

Product Description

Part No.

Qty
Req

Please check vehicle date range (if shown) next to product description prior to ordering

ACCESSORIES TO SUIT MITSUBISHI PAJERO - 2011-NX

STEEL WINCH BULL BARS - NOT SUITABLE FOR VEHICLES WITH FACTORY FITTED HEADLIGHT WASHERS (DRL'S NOT COMPATIBLE)

Deluxe Bull Bar

BBCD045

BREATHER KIT

Universal Twin Manifold Filtered Breather Kit

IDIFFBRE

NM, NP, NS, NT
5/2000 to 2011

Mitsubishi Pajero

Product Description

Part No.

Qty
Req

Please check vehicle date range (if shown) next to product description prior to ordering

ACCESSORIES TO SUIT MITSUBISHI PAJERO - 5/2000-2011

STEEL WINCH BULL BARS - NOT SUITABLE FOR VEHICLES WITH FACTORY FITTED HEADLIGHT WASHERS (DRL'S NOT COMPATIBLE)

Deluxe Bull Bar - *Fits NS and NT models only*

BBCD045

BREATHER KIT

Universal Twin Manifold Filtered Breather Kit

IDIFFBRE

Mitsubishi Pajero

Montero NM-NX
2000+



Product Description

Part No.

Qty
Req

Please check vehicle date range (if shown) next to product description prior to ordering

SUSPENSION TO SUIT MITSUBISHI PAJERO - 2000+

FRONT SUSPENSION

SHOCK ABSORBER

Nitro Gas Strut - Performance			12713GR	2
Foam Cell Strut - Performance			24713FE	2

COIL SPRINGS

	Est. Lift	Additional Load		
Medium	40mm	0 - 50kg	MITS038B	1
Heavy - Diesel	40mm	50 - 100kg	MITS038C	1

REAR SUSPENSION

SHOCK ABSORBER

Nitro Gas - Performance			12714GR	2
-------------------------	--	--	----------------	---

COIL SPRINGS

	Est. Lift	Additional Load		
Medium - SWB	40mm	0 - 200kg	MITS039A	1
Medium - LWB	40mm	0 - 200kg	MITS039B	1
Heavy	40mm	200kg - GVM	MITS039C	1

SUSPENSION KIT - Specify Front Coil Springs When Ordering

Medium - Nitro Gas	SWB		MITS038AKG
Medium - Nitro Gas	LWB	Petrol	MITS038BKG
Medium - Nitro Gas	LWB	Diesel	MITS038CKG
Heavy - Nitro Gas	LWB	Petrol	MITS038CKG1
Heavy - Nitro Gas	LWB	Diesel	MITS038CKG2

- Vehicles with monocoque body construction can be subject to increased NVH (Noise) with upgraded suspension installed
- Vehicles with independent suspension must maintain a minimum of 60mm downward suspension travel
- Mandatory 4 wheel alignment after installing new suspension

SUSPENSION KIT CONTENTS

Shock Absorbers

Strut Shock Absorbers

Coil Springs

Mitsubishi Pajero

iO Pinin
1999+



Product Description

Part No.

Qty
Req

Please check vehicle date range (if shown) next to product description prior to ordering

SUSPENSION TO SUIT MITSUBISHI PAJERO - 1999+

FRONT SUSPENSION

COIL SPRINGS

	Est. Lift	Additional Load		
Medium	35mm	0 - 50kg	MITS034B	1

CAMBER CORRECTION

Camber Bolt Kit			ICAMBER14	1
-----------------	--	--	------------------	---

REAR SUSPENSION

COIL SPRINGS

	Est. Lift	Additional Load		
Medium	35mm	0 - 200kg	MITS035B	1



Montero NH-NL (Coil)
6/1991 to 2000

SUSPENSION TO SUIT

Mitsubishi Pajero

Product Description

Part No.

Qty
Req

Please check vehicle date range (if shown) next to product description prior to ordering

SUSPENSION TO SUIT MITSUBISHI PAJERO (COIL) - 6/1991-2000

FRONT SUSPENSION

SHOCK ABSORBER

Nitro Gas - Performance		12087GR	2
Foam Cell - Performance		24087FE	2

TORSION BAR

Uprated Torsion Bars	1278mm Length	MITSO13	1
Uprated Torsion Bars	1308mm Length	MITSO19	1

- Check Torsion Bar length before ordering
- Minimum 60mm downward suspension travel required after adjustment

STEERING DAMPER

Foam Cell	Suits vehicles w/o power steering	3517	1
-----------	-----------------------------------	-------------	---

REAR SUSPENSION

SHOCK ABSORBER

Nitro Gas - Performance		12646GR	2
Foam Cell - Performance		24646FE	2

COIL SPRINGS

	Est. Lift	Additional Load		
Medium - SWB	40mm	0 - 200kg	MITSO22B	1
Medium - LWB	40mm	0 - 200kg	MITSO20B	1
Heavy	40mm	200kg - GVM	MITSO20C	1

SUSPENSION KIT

Medium - Nitro Gas	SWB	MITSO22BKG2
Medium - Nitro Gas	LWB	MITSO20BKG2
Medium - Foam Cell	SWB	MITSO22BKF2
Medium - Foam Cell	LWB	MITSO20BKF2
Heavy - Nitro Gas		MITSO20CKG2
Heavy - Foam Cell		MITSO20CKF2

- Check Torsion Bar length before ordering

SUSPENSION KIT CONTENTS

Shock Absorbers

Coil Springs

Torsion Bars

Mitsubishi Pajero

Montero NH-NL (Leaf)
1991 to 1999



Product Description

Part No.

Qty
Req

Please check vehicle date range (if shown) next to product description prior to ordering

SUSPENSION TO SUIT MITSUBISHI PAJERO (LEAF) - 1991-1999

FRONT SUSPENSION

SHOCK ABSORBER

Nitro Gas - Performance		12087GR	2
Foam Cell - Performance		24087FE	2

TORSION BAR

Uprated Torsion Bars	1278mm Length	MITSO13	1
Uprated Torsion Bars	1308mm Length	MITSO19	1

- Check Torsion Bar length before ordering

- Minimum 60mm downward suspension travel required after adjustment

STEERING DAMPER

Foam Cell	Suits vehicles w/o power steering	3517	1
-----------	-----------------------------------	-------------	---

REAR SUSPENSION

SHOCK ABSORBER

Nitro Gas - Comfort		12636GRC	2
Nitro Gas - Performance		12636GR	2
Nitro Gas - Professional		12636GRP	2
Foam Cell - Comfort		24636FEC	2
Foam Cell - Performance		24636FE	2
Foam Cell - Professional		24636FEP	2

LEAF SPRINGS

	Est. Lift	Additional Load		
Medium	40mm	0 - 300kg	MITSO18B	2
Heavy	40mm	300kg - GVM	MITSO18C	2

- Must use IRONMAN 4X4 bushes

U-BOLTS

U-Bolt Kit		451UBK	2
------------	--	---------------	---

POLYURETHANE SPRING BUSHES

Bush Kit		715TUK	1
----------	--	---------------	---

GREASABLE SHACKLES AND PINS

Greasable Shackle		795	2
Greasable Pin		796	2

HELPER SPRINGS

Load Plus Helper Springs		LP4	1
--------------------------	--	------------	---

SUSPENSION KIT

Medium - Nitro Gas	MITSO18BKG2
Medium - Foam Cell	MITSO18BKF2
Heavy - Nitro Gas	MITSO18CKG2
Heavy - Foam Cell	MITSO18CKF2

- Check Torsion Bar length before ordering

SUSPENSION KIT CONTENTS

Shock Absorbers
Leaf Springs

Torsion Bars
U-Bolts

Polyurethane Spring Bushes



Montero NA-NG (Coil)
1988 to 1991

SUSPENSION TO SUIT

Mitsubishi Pajero

Product Description

Part No.

Qty
Req

Please check vehicle date range (if shown) next to product description prior to ordering

SUSPENSION TO SUIT MITSUBISHI PAJERO (COIL) - 1988-1991

FRONT SUSPENSION

SHOCK ABSORBER

Nitro Gas - Performance		12082GR	2
Foam Cell - Performance		24082FE	2

TORSION BAR

Uprated Torsion Bars	1278mm Length	MITSO13	1
Uprated Torsion Bars	1308mm Length	MITSO19	1

- Check Torsion Bar length before ordering
- Minimum 60mm downward suspension travel required after adjustment

STEERING DAMPER

Foam Cell	Suits vehicles w/o power steering	3517	1
-----------	-----------------------------------	-------------	---

REAR SUSPENSION

SHOCK ABSORBER

Nitro Gas - Comfort		12645GRC	2
Nitro Gas - Performance		12645GR	2
Foam Cell - Comfort		24645FEC	2
Foam Cell - Performance		24645FE	2

COIL SPRINGS

	Est. Lift	Additional Load		
Medium - SWB	40mm	0 - 200kg	MITSO22B	1
Medium - LWB	40mm	0 - 200kg	MITSO20B	1
Heavy	40mm	200kg - GVM	MITSO20C	1

SUSPENSION KIT

Medium - Nitro Gas	SWB	MITSO22BKG1
Medium - Nitro Gas	LWB	MITSO20BKG1
Medium - Foam Cell	SWB	MITSO22BKF1
Medium - Foam Cell	LWB	MITSO20BKF1
Heavy - Nitro Gas		MITSO20CKG1
Heavy - Foam Cell		MITSO20CKF1

- Check Torsion Bar length before ordering

SUSPENSION KIT CONTENTS

Shock Absorbers Coil Springs

Mitsubishi Pajero

Montero NA-NG (Leaf)
Pre 1991



Product Description

Part No.

Qty
Req

Please check vehicle date range (if shown) next to product description prior to ordering

SUSPENSION TO SUIT MITSUBISHI PAJERO (LEAF) - PRE 1991

FRONT SUSPENSION

SHOCK ABSORBER

Nitro Gas - Performance		12082GR	2
Foam Cell - Performance		24082FE	2

TORSION BAR

Uprated Torsion Bars	1278mm Length	MITSO13	1
Uprated Torsion Bars	1308mm Length	MITSO19	1

- Check Torsion Bar length before ordering
- Minimum 60mm downward suspension travel required after adjustment

STEERING DAMPER

Foam Cell	Suits vehicles w/o power steering	3517	1
-----------	-----------------------------------	-------------	---

REAR SUSPENSION

SHOCK ABSORBER

Nitro Gas - Comfort		12636GRC	2
Nitro Gas - Performance		12636GR	2
Nitro Gas - Professional		12636GRP	2
Foam Cell - Comfort		24636FEC	2
Foam Cell - Performance		24636FE	2
Foam Cell - Professional		24636FEP	2

LEAF SPRINGS

	Est. Lift	Additional Load		
Medium	45mm	0 - 300kg	MITSO18B	2
Heavy	45mm	300kg - GVM	MITSO18C	2

- Must use IRONMAN 4X4 bushes

U-BOLTS

U-Bolt Kit		451UBK	2
------------	--	---------------	---

POLYURETHANE SPRING BUSHES

Bush Kit		715UK	1
----------	--	--------------	---

GREASABLE SHACKLES AND PINS

Greasable Shackle		795	2
Greasable Pin		796	2

HELPER SPRINGS

Load Plus Helper Springs		LP4	1
--------------------------	--	------------	---

SUSPENSION KIT

Medium - Nitro Gas	MITSO18BKG1
Medium - Foam Cell	MITSO18BKF1
Heavy - Nitro Gas	MITSO18CKG1
Heavy - Foam Cell	MITSO18CKF1

- Check Torsion Bar length before ordering

SUSPENSION KIT CONTENTS

Shock Absorbers
Leaf Springs

Torsion Bars
U-Bolts

Polyurethane Spring Bushes



Pajero Sport /
Montero Sport / Dakar PB
2009 to 2015

SUSPENSION TO SUIT

Mitsubishi Pajero

Product Description

Part No.

Qty
Req

Please check vehicle date range (if shown) next to product description prior to ordering

SUSPENSION TO SUIT MITSUBISHI PAJERO - 2009-2015

FRONT SUSPENSION

SHOCK ABSORBER

Nitro Gas Strut - Performance			12715GR	2
Foam Cell Strut - Performance			24715FE	2

COIL SPRINGS

	Est. Lift	Additional Load		
Standard Height	0mm	0 - 50kg	MITSO40S	1
Light	35mm	0 - 50kg	MITSO40A	1
Medium	40mm	0 - 80kg	MITSO40B	1
Heavy	40mm	80 - 110kg	MITSO40C	1

STRUT MOUNTS

Steel Strut Top			ISST010	2
-----------------	--	--	----------------	---

TRIM PACKERS

5mm Strut Trim Packer	Nitro Gas / Foam Cell		HILFR05/HILFR05F	2
10mm Strut Trim Packer	Nitro Gas / Foam Cell		HILFR10/HILFR10F	2
15mm Strut Trim Packer	Nitro Gas / Foam Cell		HILFR15/HILFR15F	2

• ONLY Compatible with IRONMAN 4X4 Struts (except Pro), lift height subject to 2:1 motion ratio. Unnecessary fitment may lift vehicle too high

REAR SUSPENSION

SHOCK ABSORBER

Nitro Gas - Performance			12645GRS	2
Foam Cell - Performance			24645FES	2

COIL SPRINGS

	Est. Lift	Additional Load		
Standard	0mm	0 - 250kg	MITSO42S	1
Light	20mm	0 - 250kg	MITSO42A	1
Medium	40mm	0 - 250kg	MITSO42B	1
Heavy	40mm	250kg - GVM	MITSO42C	1

SUSPENSION KIT - Specify Front Coil Springs When Ordering

Standard - Nitro Gas	MITSO42SKG
Standard - Foam Cell	MITSO42SKF
Light - Nitro Gas	MITSO42AKG
Light - Foam Cell	MITSO42AKF
Medium - Nitro Gas	MITSO42BKG
Medium - Foam Cell	MITSO42BKF
Heavy - Nitro Gas	MITSO42CKG
Heavy - Foam Cell	MITSO42CKF

SUSPENSION KIT CONTENTS

Shock Absorbers	Coil Springs
Strut Shock Absorbers	

Mitsubishi Pajero

Challenger / Montero Sport PA (Coil)
1998 to 2008



Product Description

Part No.

Qty
Req

Please check vehicle date range (if shown) next to product description prior to ordering

SUSPENSION TO SUIT MITSUBISHI PAJERO - 1998-2008

FRONT SUSPENSION

SHOCK ABSORBER

Nitro Gas - Performance	12087GR	2
Foam Cell - Performance	24087FE	2

TORSION BAR

Up-rated Torsion Bars	MITSO19	1
-----------------------	----------------	---

• Minimum 60mm downward suspension travel required after adjustment

REAR SUSPENSION

SHOCK ABSORBER

Nitro Gas - Comfort	12645GRC	2
Nitro Gas - Performance	12645GR	2
Foam Cell - Comfort	24645FEC	2
Foam Cell - Performance	24645FE	2

COIL SPRINGS

	Est. Lift	Additional Load		
Medium	40mm	0 - 200kg	MITSO22B	1
Heavy	40mm	200-400kg	MITSO20B	1
Extra Heavy	40mm	400kg - GVM	MITSO20C	1

SUSPENSION KIT

Medium - Nitro Gas	MITSO22BKG
Medium - Foam Cell	MITSO22BKF
Heavy - Nitro Gas	MITSO20BKG
Heavy - Foam Cell	MITSO20BKF
Extra Heavy - Nitro Gas	MITSO20CKG
Extra Heavy - Foam Cell	MITSO20CKF

SUSPENSION KIT CONTENTS

Shock Absorbers	Torsion Bars
Coil Springs	



Montero Sport (Leaf)
1998 to 2006

Mitsubishi Pajero

Product Description

Part No.

Qty
Req

Please check vehicle date range (if shown) next to product description prior to ordering

SUSPENSION TO SUIT MITSUBISHI PAJERO - 1998-2006

FRONT SUSPENSION

SHOCK ABSORBER

Nitro Gas - Performance	12087GR	2
Foam Cell - Performance	24087FE	2

TORSION BAR

Up-rated Torsion Bars	MITSO19	1
-----------------------	---------	---

• Minimum 60mm downward suspension travel required after adjustment

REAR SUSPENSION

SHOCK ABSORBER

Nitro Gas - Comfort	12636GRC	2
Nitro Gas - Performance	12636GR	2
Nitro Gas - Professional	12636GRP	2
Foam Cell - Comfort	24636FEC	2
Foam Cell - Performance	24636FE	2
Foam Cell - Professional	24636FEP	2

LEAF SPRINGS

	Est. Lift	Additional Load		
Medium	40mm	0 - 300kg	MITSO18B	2
Heavy	40mm	300kg - GVM	MITSO18C	2

• Must use IRONMAN 4X4 bushes

U-BOLTS

U-Bolt Kit	451UBK	2
------------	--------	---

POLYURETHANE SPRING BUSHES

Bush Kit	715STUK	1
----------	---------	---

• Not compatible with OEM springs

GREASABLE SHACKLES AND PINS

Greasable Shackle	795	2
Greasable Pin	796	2

HELPER SPRINGS

Load Plus Helper Springs	LP4	1
--------------------------	-----	---

SUSPENSION KIT

Medium - Nitro Gas	MITSO18BKG
Medium - Foam Cell	MITSO18BKF
Heavy - Nitro Gas	MITSO18CKG
Heavy - Foam Cell	MITSO18CKF

SUSPENSION KIT CONTENTS

Shock Absorbers	Torsion Bars	Polyurethane Spring Bushes
Leaf Springs	U-Bolts	

Mitsubishi Delica

L400
1994+



Product Description

Part No.

Qty Req

Please check vehicle date range (if shown) next to product description prior to ordering

SUSPENSION TO SUIT MITSUBISHI DELICA - 1994+

FRONT SUSPENSION

SHOCK ABSORBER

Nitro Gas - Performance	12667GR	2
Foam Cell - Performance	24667FE	2

TORSION BAR

Up-rated Torsion Bars	MITSO31	1
-----------------------	----------------	---

• Torsion Bars suit vehicles 5/1994-5/1999 only

• Minimum 60mm downward suspension travel required after adjustment

REAR SUSPENSION

SHOCK ABSORBER

Nitro Gas - Performance	Without ECS	12698GR	2
Nitro Gas - Performance	With ECS	12671GR	2

• ECS - Electronic Control Suspension

COIL SPRINGS

	Est. Lift	Additional Load		
Medium	40mm	0 - 250kg	MITSO25B	1

SUSPENSION KIT

Medium - Nitro Gas	Without ECS	MITSO31BKG
Medium - Nitro Gas	With ECS	MITSO31BKG1

• Shock Absorbers do not re-connect to ECS system

SUSPENSION KIT CONTENTS

Shock Absorbers

Coil Springs

Torsion Bars



Reach for the Sky

{IRONMAN}
4X4



Product Description

Part No.

Qty
Req

Please check vehicle date range (if shown) next to product description prior to ordering

ACCESSORIES TO SUIT MITSUBISHI TRITON MV - 2024+

STEEL WINCH BULL BARS

Deluxe Bull Bar	BBCD120	
Apex Bull Bar - 60.3mm Tube	BBP120C	
Apex Bull Bar Kit* - 60.3mm Tube	BBP120CK	
Raid Bull Bar - Includes Integrated Recovery Points	BBR120	
Raid Bull Bar Kit*	BBR120K	
Bull Bar Multi-Function Light Patch Loom	IBBPL120	
Driving Light / Lightbar Patch Loom - With CAN Module	IPLS120	
120W Bright Sabre Single Row Lightbar 812mm (32") Straight to suit Raid Bull Bar	ILBSR002BW	1

• Apex and Raid Bull Bars are compatible with IRONMAN 4X4 Lightbars and 20W or 40W Cube Lights, refer page 29-33 for available options
• Winch with Steel Cable and Roller Fairlead is not suitable - Use Winch with Synthetic Rope and Alloy Hawse only

STEEL SIDE STEPS AND RAILS - FITS DUAL CAB

Side Steps - Dimple Step Design	SS120-D
Side Rails	SS120 RAIL
Side Steps and Rails - Dimple Step Design	SSR120-D
Premium Side Steps and Rails - 60.3mm Tube - Dimple Step Design	SSRP120-D

TOWING

Class 4 Towbar - Compatible with Factory Rear Bumper	TB120
Rear Protection Towbar - Full Rear Bumper Replacement	RTB120
Towbar Wiring Loom - Plug and Play	ITBL120

PREMIUM UNDERBODY PROTECTION

Engine Bay and Transmission	UBP120
-----------------------------	--------

CANOPY - PINNACLE 2 FIBREGLASS (SIDE LIFT UP WINDOWS AND CENTRAL LOCKING REAR DOOR) - FITS 4X4 AND 4X2 DUAL CAB MODELS

Pre-Primed	ICANOPY120-P
------------	--------------

SLIDE-AWAY ROLL UP HARD TONNEAU COVER

Electric with Remote Control - (GLX to GSR models) *	ISLIDEAWAY120-E
Manual Operation - (GLX to GSR models) *	ISLIDEAWAY120-M
Sports Bar Adaptor - (GLX to GSR models) *	ISLIDEAWAY120-SBA

* GSR model requires Sail Plane to be removed for fitment

• Requires tub strengthening bracket (ICANOPYBRACKET110) when fitting Slide-Away Roll Up Hard Tonneau Cover

FENDER FLARE KITS

Matte Black Smooth Finish 6" (Suits Dual Cab)*	IFF60120
Fender Flare Extension Kit to suit BBCD Bars	IFFEXT120

* Not compatible if bull bar is fitted to vehicle.

• Some flares may not be compatible if side rails/brush bars are fitted. Some flares may require slight trimming if snorkel is installed.

BREATHER KIT

Universal Twin Manifold Filtered Breather Kit	IDIFFBRE
---	----------

BULL BAR KIT* CONTENTS

Apex Bull Bar	Bull Bar Patch Loom	Cube Lights (2)	Turn / Park Cube Lights (2)		
Raid Bull Bar	Patch Loom	Driving Light Loom	Cube Light Adaptor	Lightbar	Cube Lights (4)

MV
2024+

Mitsubishi Triton

Product Description

Part No.

Qty
Req*Please check vehicle date range (if shown) next to product description prior to ordering***SUSPENSION TO SUIT MITSUBISHI TRITON MV - 2024+****FRONT SUSPENSION****SHOCK ABSORBER**

Nitro Gas Strut - Performance			12016GR	2
Foam Cell Strut - Performance			24016FE	2
Foam Cell Pro Strut - Performance			45016FE	2

COIL SPRINGS

	Est. Lift	Additional Load		
Light	50mm	0 - 50kg	MITSO45A	1
Medium	50mm	0 - 80kg	MITSO45B	1
Heavy	50mm	80 - 120kg	MITSO45C	1

STRUT MOUNTS

Steel Strut Top			ISST120	2
-----------------	--	--	----------------	---

TRIM PACKERS

5mm Strut Trim Packer	Nitro Gas / Foam Cell		HILFR05/HILFR05F	2
-----------------------	-----------------------	--	-------------------------	---

• ONLY Compatible with IRONMAN 4X4 Struts, lift height subject to 2:1 motion ratio. Unnecessary fitment may lift vehicle too high

CONTROL ARMS

Pro-Forge Upper Control Arms			UCA120FA-B	1
------------------------------	--	--	-------------------	---

REAR SUSPENSION**SHOCK ABSORBER**

Nitro Gas - Comfort			12017GRC	2
Nitro Gas - Performance			12017GR	2
Foam Cell - Comfort			24017FEC	2
Foam Cell - Performance			24017FE	2
Foam Cell Pro - Comfort			45017FEC	2
Foam Cell Pro - Performance			45017FE	2

LEAF SPRINGS

	Est. Lift	Additional Load		
Light	50mm	0 - 200kg	MITSO49A	2
Medium	50mm	0 - 300kg	MITSO49B	2
Heavy	50mm	300kg - 600kg	MITSO49C	2
Extra Heavy	50mm	600kg - GVM	MITSO49D	2

U-BOLTS

U-Bolt Kit	Suits MITS049A and MITS049B		437UBK	2
U-Bolt Kit	Suits MITS049C and MITS049D		437UBKL	2

POLYURETHANE SPRING BUSHES

Bush Kit			1200UK	1
----------	--	--	---------------	---

GREASABLE SHACKLES AND PINS

Greaseable Shackle			1200GS	2
Non-Greaseable Pin			387-1	2

SUSPENSION KIT - Specify Front Coil Springs When Ordering

Light - Nitro Gas		MITSO49AKG
Light - Foam Cell		MITSO49AKF
Light - Foam Cell Pro		MITSO49AKP
Medium - Nitro Gas		MITSO49BKG
Medium - Foam Cell		MITSO49BKF
Medium - Foam Cell Pro		MITSO49BKP
Heavy - Nitro Gas		MITSO49CKG
Heavy - Foam Cell		MITSO49CKF
Heavy - Foam Cell Pro		MITSO49CKP
Extra Heavy - Nitro Gas		MITSO49DKG
Extra Heavy - Foam Cell		MITSO49DKF
Extra Heavy - Foam Cell Pro		MITSO49DKP

SUSPENSION KIT CONTENTS

Shock Absorbers	Coil Springs	Upper Control Arms
Leaf Springs	U-Bolts	Polyurethane Spring Bushes
Strut Shock Absorbers		



Product Description

Part No.

Qty
Req

Please check vehicle date range (if shown) next to product description prior to ordering

ACCESSORIES TO SUIT MITSUBISHI TRITON MR - 11/2018 TO 2023

STEEL WINCH BULL BARS (INCLUDING GLS PREMIUM)

Commercial Bull Bar	BBC067	
Deluxe Bull Bar	BBCD067	
Proguard No Loop Bull Bar	BBT067-NL	
Proguard Single Loop Kit	BB067-SL	
Proguard Triple Loop Kit	BB067-TL	
Raid Bull Bar - Includes Integrated Recovery Points	BBR067	
Raid Bull Bar Kit*	BBR067K	
Bull Bar Multi-Function Light Patch Loom	IBBPLO67	
Driving Light / Lightbar Patch Loom	IPLS067	
Driving Light / Lightbar Patch Loom - Factory LED Headlight models only - <i>While Stocks Last</i>	IPL067	
Load Resistor Kit with Mounting Brackets for Indicator / Parker Replacement	LR12V21W	
120W Bright Sabre Single Row Lightbar 812mm (32") Straight to suit Raid Bull Bar	ILBSR002BW	1
<ul style="list-style-type: none"> *Raid Bull Bars are compatible with IRONMAN 4X4 Lightbars and 20W Cube Lights, refer page 29-33 for available options *Winch with Steel Cable and Roller Fairlead is not suitable - Use Winch with Synthetic Rope and Alloy Hawse only 		

STEEL SIDE STEPS AND RAILS - FITS DUAL AND CLUB CAB

Side Steps	SS050	
Side Rails	SS050 RAIL	
Side Steps and Rails	SSR050	

TOWING (GLS MODEL ONLY)

Class 4 Towbar - Compatible with Factory Rear Bumper	TB050	
Rear Protection Towbar - Full Rear Bumper Replacement	RTB067GLS	
Towbar Wiring Loom - Plug and Play	ITBL067	

TOWING (NOT GLS MODEL)

Class 4 Towbar - Compatible with Factory Rear Bumper	TB050	
Rear Protection Towbar - Full Rear Bumper Replacement	RTB067GLX	
Towbar Wiring Loom - Plug and Play	ITBL067	

RECOVERY POINTS - IRONMAN 4X4 BULL BAR ONLY

Recovery Points - 5000kg Rating (Pair) (Includes GLS Premium)	IRP059	
---	--------	--

SNORKEL

MR Triton - GLS and GSR only. Not compatible with GLX model	ISNORKEL067	
---	-------------	--

BATTERY TRAY

Suits 12" Battery	IBTRAY050	
-------------------	-----------	--

LONG RANGE FUEL TANK

125L* Diesel only - Fits Dual and Extra Cab only	TANK004	
--	---------	--

* Usable volume may differ to the stated tank capacity

PREMIUM UNDERBODY PROTECTION

Engine Bay and Transmission	UBP050	
-----------------------------	--------	--



MR
11/2018 to 2023

Mitsubishi Triton

Product Description

Part No.

Qty
Req

Please check vehicle date range (if shown) next to product description prior to ordering

CANOPY - ABS PLASTIC (SIDE LIFT UP WINDOWS AND CENTRAL LOCKING REAR DOOR) - FITS 4X4 AND 4X2 DUAL CAB MODELS

Pre Primed	CANOPY014-P
ABS Canopy Rack Feet	IRRFEEABS14

• See Page 38 for 1.4m Roof Rack options and pricing.

CANOPY - PINNACLE SMOOTH FINISH FIBREGLASS (SIDE LIFT UP WINDOWS AND CENTRAL LOCKING REAR DOOR) - FITS 4X4 AND 4X2 DUAL CAB MODELS

Black Mica (X08)	CANFIBRE050-BM
Impulse Blue (D23)	CANFIBRE050-IB
Graphite Grey (U28)	CANFIBRE050-GG
Sterling Silver (U25)	CANFIBRE050-SS
White Solid (W32)	CANFIBRE050-WS

CANOPY - PINNACLE 2 FIBREGLASS (SIDE LIFT UP WINDOWS AND CENTRAL LOCKING REAR DOOR) - FITS 4X4 AND 4X2 DUAL CAB MODELS

Pre-Primed	ICANOPY050-P
Black Mica (X08)	ICANOPY050-BM
Graphite Grey (U28)	ICANOPY050-GG
Impulse Blue (D23)	ICANOPY050-IB
Sterling Silver (U25)	ICANOPY050-SS
Titanium Grey (U17)	ICANOPY050-TG
White Solid (W32)	ICANOPY050-WS

* Pre-primed canopies, plus colour coding.

SLIDE-AWAY ROLL UP HARD TONNEAU COVER

Electric with Remote Control	ISLIDEAWAY067-E
Manual Operation	ISLIDEAWAY067-M
Sports Bar Adaptor	ISLIDEAWAY067-SBA

ATLAS DUAL CAB ROOF RACK KITS

Platform A with Blade Fit Kit (Dual Cab Only) - 1530mm Length	IFR067PAK
Crossbar (x 2) and Fit Kit (Dual Cab) - 1250mm Width	IFR067C2K
Platform K with Leg Fit Kit to Suit Pinnacle 2 Canopy - 1390mm Length	IFRP2PKK
Crossbar (x 2) and Fit Kit to Suit Pinnacle 2 Canopy - 1250mm Width	IFRP2C125K
Platform G with Blade Fit Kit to Suit Slideaway Hard Tonneau Cover - 1390mm Length	IFRSLDAWAYPGK
Crossbar (x 2) and Fit Kit to Suit Slideaway Hard Tonneau Cover - 1650mm Width	IFRSLDAWAYC2K

• See Page 38-41 for more Atlas rack, crossbar and accessory options.

FENDER FLARE KITS

Matte Black Smooth Finish 6" (Suits Dual Cab)*	IFF6067
--	---------

* Not compatible if bull bar is fitted to vehicle.

• Some flares may not be compatible if side rails/brush bars are fitted. Some flares may require slight trimming if snorkel is installed.

FLOOR MATS

Moulded Fit TPO Floor Mats - Front and Rear Set	FLMT067-RHD-2ROW
---	------------------

SEAT COVER

Airbag Compatible Fabric Seat Covers - Front	SC067-CC-1R-A
Airbag Compatible Fabric Seat Covers - Rear	SC067-CC-2R-A

SUN SHADE

Vehicle Specific Sun Screen Shade - Front	SUNSHD067
---	-----------

BREATHER KIT

Universal Twin Manifold Filtered Breather Kit	IDIFFBRE
---	----------

BULL BAR KIT* CONTENTS

Raid Bull Bar	Patch Loom	Driving Light Loom	Cube Light Adaptor	Lightbar	Cube Lights (4)
---------------	------------	--------------------	--------------------	----------	-----------------



Mitsubishi Triton

MR L200
11/2018 to 2023

Product Description

Part No.

Qty
Req

Please check vehicle date range (if shown) next to product description prior to ordering

SUSPENSION TO SUIT MITSUBISHI TRITON MR - 11/2018 TO 2023

FRONT SUSPENSION

SHOCK ABSORBER

Nitro Gas Strut - Performance			12715GR	2
Foam Cell Strut - Performance			24715FE	2
Foam Cell Pro Strut - Performance* (SEE NOTE)			45715FE	2

*NOTE: MANDATORY FITMENT of UCA050FA and MITS045B /C Coil Springs with 45715FE

COIL SPRINGS

	Est. Lift	Additional Load		
Standard	0mm	0 - 50kg	MITS040S	1
Light	25mm	0 - 50kg	MITS040A	1
Medium	30mm	0 - 80kg	MITS040B	1
Medium* (SEE NOTE)	50mm	0 - 80kg	MITS045B *	1
Heavy	30mm	80 - 110kg	MITS040C	1
Heavy* (SEE NOTE)	50mm	80 - 110kg	MITS045C *	1

*NOTE: MANDATORY FITMENT of UCA050FA and 45715FE with (MITS045B /C) Coil Springs

STRUT MOUNTS

Steel Strut Top			ISST010	2
-----------------	--	--	----------------	---

TRIM PACKERS

5mm Strut Trim Packer	Nitro Gas / Foam Cell	HILFR05/HILFR05F	2
10mm Strut Trim Packer	Nitro Gas / Foam Cell	HILFR10/HILFR10F	2
15mm Strut Trim Packer	Nitro Gas / Foam Cell	HILFR15/HILFR15F	2

• ONLY Compatible with IRONMAN 4X4 Struts, lift height subject to 2:1 motion ratio. Unnecessary fitment may lift vehicle too high

CONTROL ARMS

Pro-Forge Upper Control Arms*			UCA050FA-B	1
-------------------------------	--	--	-------------------	---

*NOTE: May require the fitment of additional droop stop shim (UCAP050) to prevent CV bind



MR L200
11/2018 to 2023

Mitsubishi Triton

Product Description

Part No.

Qty Req

Please check vehicle date range (if shown) next to product description prior to ordering

REAR SUSPENSION

SHOCK ABSORBER

Nitro Gas - Comfort			12729GRC	2
Nitro Gas - Performance			12729GR	2
Nitro Gas - Professional			12729GRP	2
Foam Cell - Comfort			24729FEC	2
Foam Cell - Performance			24729FE	2
Foam Cell - Professional			24729FEP	2
Foam Cell Pro - Comfort			45729FEC	2
Foam Cell Pro - Performance			45729FE	2
Foam Cell Pro - Professional			45729FEP	2

LEAF SPRINGS

	Est. Lift	Additional Load		
Light	30mm	0 - 200kg	MITSO47A	2
Medium	30mm	0 - 300kg	MITSO47B	2
Heavy	30mm	300kg - GVM	MITSO47C	2

• Two piece tailshaft models may experience driveline vibration, use 1201K to reduce vibration.

U-BOLTS

U-Bolt Kit			437UBK	2
U-Bolt Kit	Suits MITS047C		437UBKL	2

POLYURETHANE SPRING BUSHES

Bush Kit			1200UK	1
----------	--	--	---------------	---

DRIVELINE SPACERS

Centre Bearing Spacer Kit			1201K	1
---------------------------	--	--	--------------	---

SPACER KIT

Brake Hose Relocation Kit			1205K	1
---------------------------	--	--	--------------	---

GREASABLE SHACKLES AND PINS

Greasable Shackle			1199	2
Non-Greasable Pin			387-1	2

HELPER SPRINGS

Add-A-Leaf			ISL6010	1
------------	--	--	----------------	---

SUSPENSION KIT - Specify Front Coil Springs When Ordering

Light - Nitro Gas	MITSO47AKG
Light - Foam Cell	MITSO47AKF
Medium - Nitro Gas	MITSO47BKG
Medium - Foam Cell	MITSO47BKF
Medium - Foam Cell Pro	MITSO47BKP
Heavy - Nitro Gas	MITSO47CKG
Heavy - Foam Cell	MITSO47CKF
Heavy - Foam Cell Pro	MITSO47CKP

• Two piece tailshaft models may experience driveline vibration, use 1201K to reduce vibration

SUSPENSION KIT CONTENTS

Shock Absorbers	Coil Springs	Upper Control Arms (Foam Cell Pro Kits Only)	Brake Hose Relocation Kit
Leaf Springs	U-Bolts	Polyurethane Spring Bushes	Centre Bearing Spacer Kit
Strut Shock Absorbers			

Mitsubishi Triton

MQ
2015 to 10/2018



Product Description

Part No.

Qty
Req

Please check vehicle date range (if shown) next to product description prior to ordering

ACCESSORIES TO SUIT MITSUBISHI TRITON MQ - 2015-10/2018

STEEL WINCH BULL BARS

Commercial Bull Bar	BBC050
Deluxe Bull Bar	BBCD050
Proguard No Loop Bull Bar	BBT050-NL
Proguard Single Loop Kit	BB050-SL
Proguard Triple Loop Kit	BB050-TL
Driving Light / Lightbar Patch Loom - Factory LED Headlight models only - <i>While Stocks Last</i>	IPL050

STEEL SIDE STEPS AND RAILS - FITS DUAL AND CLUB CAB

Side Steps	SS050
Side Rails	SS050 RAIL
Side Steps and Rails	SSR050

TOWING

Class 4 Towbar - Compatible with Factory Rear Bumper	TB050
Rear Protection Towbar - Full Rear Bumper Replacement	RTB050
Rear Protection Towbar Plates	RTBPLATE050
Towbar Wiring Loom - Plug and Play	ITBL050

RECOVERY POINTS - IRONMAN 4X4 BULL BAR ONLY

Recovery Points - 5000kg Rating (Pair)	IRP050
--	--------

SNORKEL

Triton MQ 2015-10/2018 Only - Suits 2.4L Diesel Only	ISNORKEL050
--	-------------

BATTERY TRAY

Suits 12" Battery	IBTRAY050
-------------------	-----------

LONG RANGE FUEL TANK

125L* Diesel only - Fits Dual and Extra Cab only	TANK004
--	---------

* Usable volume may differ to the stated tank capacity

PREMIUM UNDERBODY PROTECTION

Engine Bay and Transmission	UBP050
-----------------------------	--------



MQ
2015 to 10/2018

ACCESSORIES TO SUIT

Mitsubishi Triton

Product Description

Part No.

Qty
Req

Please check vehicle date range (if shown) next to product description prior to ordering

CANOPY - ABS PLASTIC (SIDE LIFT UP WINDOWS AND CENTRAL LOCKING REAR DOOR) - FITS 4X4 AND 4X2 DUAL CAB MODELS

Pre Primed	CANOPY014-P
ABS Canopy Rack Feet	IRRFEETABS14

• See Page 38 for 1.4m Roof Rack options and pricing.

CANOPY - PINNACLE SMOOTH FINISH FIBREGLASS (SIDE LIFT UP WINDOWS AND CENTRAL LOCKING REAR DOOR) - FITS 4X4 AND 4X2 DUAL CAB MODELS

Black Mica (X08)	CANFIBRE050-BM
Impulse Blue (D23)	CANFIBRE050-IB
Titanium Grey (U17)	CANFIBRE050-TG
Sterling Silver (U25)	CANFIBRE050-SS
White Solid (W32)	CANFIBRE050-WS

CANOPY - PINNACLE 2 FIBREGLASS (SIDE LIFT UP WINDOWS AND CENTRAL LOCKING REAR DOOR) - FITS 4X4 AND 4X2 DUAL CAB MODELS

Pre-Primed	ICANOPY050-P
Black Mica (X08)	ICANOPY050-BM
Graphite Grey (U28)	ICANOPY050-GG
Impulse Blue (D23)	ICANOPY050-IB
Sterling Silver (U25)	ICANOPY050-SS
Titanium Grey (U17)	ICANOPY050-TG
White Solid (W32)	ICANOPY050-WS

* Pre-primed canopies, plus colour coding.

SLIDE-AWAY ROLL UP HARD TONNEAU COVER

Electric with Remote Control	ISLIDEAWAY067-E
Manual Operation	ISLIDEAWAY067-M
Sports Bar Adaptor	ISLIDEAWAY067-SBA

ATLAS DUAL CAB ROOF RACK KITS

Platform A with Blade Fit Kit (Dual Cab Only) - 1530mm Length	IFR067PAK
Crossbar (x 2) and Fit Kit (Dual Cab) - 1250mm Width	IFR067C2K
Platform K with Leg Fit Kit to Suit Pinnacle 2 Canopy - 1390mm Length	IFRP2PKK
Crossbar (x 2) and Fit Kit to Suit Pinnacle 2 Canopy - 1250mm Width	IFRP2C125K
Platform G with Blade Fit Kit to Suit Slideaway Hard Tonneau Cover - 1390mm Length	IFRSLDAWAYPGK
Crossbar (x 2) and Fit Kit to Suit Slideaway Hard Tonneau Cover - 1650mm Width	IFRSLDAWAYC2K

• See Page 38-41 for more Atlas rack, crossbar and accessory options.

FENDER FLARE KITS

Matte Black Smooth Finish 6" (Suits Dual Cab)	IFF6050
---	---------

• Some flares may not be compatible if side rails/brush bars are fitted. Some flares may require slight trimming if snorkel is installed.

FLOOR MATS

Moulded Fit TPO Floor Mats - Front and Rear Set	FLMT067-RHD-2ROW
---	------------------

SEAT COVER

Airbag Compatible Fabric Seat Covers - Front	SC067-CC-1R-A
Airbag Compatible Fabric Seat Covers - Rear	SC067-CC-2R-A

SUN SHADE

Vehicle Specific Sun Screen Shade - Front	SUNSHD067
---	-----------

BREATHER KIT

Universal Twin Manifold Filtered Breather Kit	IDIFFBRE
---	----------





Product Description

Part No.

Qty
Req

Please check vehicle date range (if shown) next to product description prior to ordering

SUSPENSION TO SUIT MITSUBISHI TRITON MQ - 2015-10/2018

FRONT SUSPENSION

SHOCK ABSORBER

Nitro Gas Strut - Performance			12715GR	2
Foam Cell Strut - Performance			24715FE	2
Foam Cell Pro Strut - Performance* (SEE NOTE)			45715FE	2

*NOTE: MANDATORY FITMENT of UCA050FA and MITS045B /C Coil Springs with 45715FE

COIL SPRINGS

	Est. Lift	Additional Load		
Standard	0mm	0 - 50kg	MITS040S	1
Light	25mm	0 - 50kg	MITS040A	1
Medium	30mm	0 - 80kg	MITS040B	1
Medium* (SEE NOTE)	50mm	0 - 80kg	MITS045B *	1
Heavy	30mm	80 - 110kg	MITS040C	1
Heavy* (SEE NOTE)	50mm	80 - 110kg	MITS045C *	1

*NOTE: MANDATORY FITMENT of UCA050FA and 45715FE with (MITS045B /C) Coil Springs

STRUT MOUNTS

Steel Strut Top			ISST010	2
-----------------	--	--	----------------	---

TRIM PACKERS

5mm Strut Trim Packer	Nitro Gas / Foam Cell	HILFR05/HILFR05F	2
10mm Strut Trim Packer	Nitro Gas / Foam Cell	HILFR10/HILFR10F	2
15mm Strut Trim Packer	Nitro Gas / Foam Cell	HILFR15/HILFR15F	2

• ONLY Compatible with IRONMAN 4X4 Struts, lift height subject to 2:1 motion ratio. Unnecessary fitment may lift vehicle too high

CONTROL ARMS

Pro-Forge Upper Control Arms*			UCA050FA-B	1
-------------------------------	--	--	-------------------	---

*NOTE: May require the fitment of additional droop stop shim (UCAP050) to prevent CV bind



MQ L200
2015 to 10/2018

SUSPENSION TO SUIT

Mitsubishi Triton

Product Description

Part No.

Qty Req

Please check vehicle date range (if shown) next to product description prior to ordering

REAR SUSPENSION

SHOCK ABSORBER

Nitro Gas - Comfort			12729GRC	2
Nitro Gas - Performance			12729GR	2
Nitro Gas - Professional			12729GRP	2
Foam Cell - Comfort			24729FEC	2
Foam Cell - Performance			24729FE	2
Foam Cell - Professional			24729FEP	2
Foam Cell Pro - Comfort			45729FEC	2
Foam Cell Pro - Performance			45729FE	2
Foam Cell Pro - Professional			45729FEP	2

LEAF SPRINGS

	Est. Lift	Additional Load		
Light	30mm	0 - 200kg	MITSO47A	2
Medium	30mm	0 - 300kg	MITSO47B	2
Heavy	30mm	300kg - GVM	MITSO47C	2

• Two piece tailshaft models may experience driveline vibration, use 1201K to reduce vibration.

U-BOLTS

U-Bolt Kit			437UBK	2
U-Bolt Kit	Suits MITS047C		437UBKL	2

POLYURETHANE SPRING BUSHES

Bush Kit			1200UK	1
----------	--	--	---------------	---

DRIVELINE SPACERS

Centre Bearing Spacer Kit			1201K	1
---------------------------	--	--	--------------	---

SPACER KIT

Brake Hose Relocation Kit			1205K	1
---------------------------	--	--	--------------	---

GREASABLE SHACKLES AND PINS

Greasable Shackle			1199	2
Non-Greasable Pin			387-1	2

HELPER SPRINGS

Add-A-Leaf			ISL6010	1
------------	--	--	----------------	---

SUSPENSION KIT - Specify Front Coil Springs When Ordering

Light - Nitro Gas	MITSO47AKG
Light - Foam Cell	MITSO47AKF
Medium - Nitro Gas	MITSO47BKG
Medium - Foam Cell	MITSO47BKF
Medium - Foam Cell Pro	MITSO47BKP
Heavy - Nitro Gas	MITSO47CKG
Heavy - Foam Cell	MITSO47CKF
Heavy - Foam Cell Pro	MITSO47CKP

• Two piece tailshaft models may experience driveline vibration, use 1201K to reduce vibration

SUSPENSION KIT CONTENTS

Shock Absorbers	Coil Springs	Upper Control Arms (Foam Cell Pro Kits Only)	Brake Hose Relocation Kit
Leaf Springs	U-Bolts	Polyurethane Spring Bushes	Centre Bearing Spacer Kit
Strut Shock Absorbers			

Mitsubishi Triton

MN L200
2009 to 2015

Product Description

Part No.

Qty
Req

Please check vehicle date range (if shown) next to product description prior to ordering

ACCESSORIES TO SUIT MITSUBISHI TRITON MN - 2009-2015

STEEL WINCH BULL BARS

Commercial Bull Bar	BBC031
Deluxe Bull Bar	BBCD031

• Can also be fitted to both 2WD and 4WD models.

STEEL SIDE STEPS AND RAILS - FITS DUAL CAB, EXTRA CAB AND SINGLE CAB

Side Steps	SS031
Side Steps - Dimple Step Design	SS031-D
Side Steps and Rails	SSR031
Side Steps and Rails - Dimple Step Design	SSR031-D

SNORKEL

Triton	ISNORKEL020
--------	-------------

LONG RANGE FUEL TANK

125L* Diesel - Fits Dual Cab only	TANK004
125L* Petrol - Fits Dual Cab only	TANK005

* Usable volume may differ to the stated tank capacity

• Modification required with factory rear diff-lock.

BREATHER KIT

Universal Twin Manifold Filtered Breather Kit	IDIFFBRE
---	----------

SUSPENSION TO SUIT MITSUBISHI TRITON MN - 2009-2015

FRONT SUSPENSION

SHOCK ABSORBER

Nitro Gas Strut - Performance	12715GR	2
Foam Cell Strut - Performance	24715FE	2
Foam Cell Pro Strut - Performance* (SEE NOTE)	45715FE	2

*NOTE: MANDATORY FITMENT of UCA050FA and MITS045B /C Coil Springs with 45715FE

COIL SPRINGS

	Est. Lift	Additional Load		
Standard	0mm	0 - 50kg	MITS040S	1
Light	25mm	0 - 50kg	MITS040A	1
Medium	30mm	0 - 80kg	MITS040B	1
Medium* (SEE NOTE)	50mm	0 - 80kg	MITS045B *	1
Heavy	30mm	80 - 110kg	MITS040C	1
Heavy* (SEE NOTE)	50mm	80 - 110kg	MITS045C *	1

*NOTE: MANDATORY FITMENT of UCA050FA and 45715FE with (MITS045B /C) Coil Springs

STRUT MOUNTS

Steel Strut Top	ISST010	2
-----------------	---------	---

TRIM PACKERS

5mm Strut Trim Packer	Nitro Gas / Foam Cell	HILFR05/HILFR05F	2
10mm Strut Trim Packer	Nitro Gas / Foam Cell	HILFR10/HILFR10F	2
15mm Strut Trim Packer	Nitro Gas / Foam Cell	HILFR15/HILFR15F	2

CONTROL ARMS

Pro-Forge Upper Control Arms*	UCA050FA-B	1
-------------------------------	------------	---

*NOTE: May require the fitment of additional droop stop shim (UCAP050) to prevent CV bind



MN L200
2009 to 2015

Mitsubishi Triton

Product Description

Part No.

Qty Req

Please check vehicle date range (if shown) next to product description prior to ordering

REAR SUSPENSION

SHOCK ABSORBER

Nitro Gas - Comfort			12636GRC	2
Nitro Gas - Performance			12636GR	2
Nitro Gas - Professional			12636GRP	2
Foam Cell - Comfort			24636FEC	2
Foam Cell - Performance			24636FE	2
Foam Cell - Professional			24636FEP	2
Foam Cell Pro - Comfort			45636FEC	2
Foam Cell Pro - Performance			45636FE	2
Foam Cell Pro - Professional			45636FEP	2

LEAF SPRINGS

	Est. Lift	Additional Load		
Light	40mm	0 - 200kg	MITS041A	2
Medium	40mm	0 - 300kg	MITS041B	2
Heavy	40mm	300kg - GVM	MITS041C	2

• Must use IRONMAN 4X4 bushes.

• Unladen manual vehicles with 2 piece tail shaft may experience vibration in first gear.

U-BOLTS

U-Bolt Kit			1102UBK	2
------------	--	--	----------------	---

POLYURETHANE SPRING BUSHES

Bush Kit			715TUK	1
----------	--	--	---------------	---

• Not compatible with OEM springs

GREASABLE SHACKLES AND PINS

Greasable Shackle			795	2
Non-Greasable Pin			387-1	2

HELPER SPRINGS

Load Plus Helper Springs			LP4	1
--------------------------	--	--	------------	---

SUSPENSION KIT - Specify Front Coil Springs When Ordering

Light - Nitro Gas	MITS041AKG
Light - Foam Cell	MITS041AKF
Medium - Nitro Gas	MITS041BKG
Medium - Foam Cell	MITS041BKF
Medium - Foam Cell Pro	MITS041BKP
Heavy - Nitro Gas	MITS041CKG
Heavy - Foam Cell	MITS041CKF
Heavy - Foam Cell Pro	MITS041CKP

• Unladen manual vehicles with 2 piece tail shaft may experience vibration in first gear

SUSPENSION KIT CONTENTS

Shock Absorbers	Leaf Springs	U-Bolts	Polyurethane Spring Bushes
Strut Shock Absorbers	Coil Springs	Upper Control Arms (Foam Cell Pro Kits Only)	

Mitsubishi Triton

ML
2006 to 2009



Product Description

Part No.

Qty
Req

Please check vehicle date range (if shown) next to product description prior to ordering

ACCESSORIES TO SUIT MITSUBISHI TRITON ML - 2006-2009

STEEL WINCH BULL BARS

Deluxe Bull Bar

BBCD016

• Can also be fitted to both 2WD and 4WD models.

STEEL SIDE STEPS AND RAILS - FITS DUAL CAB AND EXTRA CAB MODELS ONLY

Side Steps and Rails

SSR031

SNORKEL

ML Triton 2006 to 2009

ISNORKEL020

LONG RANGE FUEL TANK

125L* Diesel (Not compatible with factory diff-lock) - Fits Dual Cab only

TANK004

125L* Petrol (Not compatible with factory diff-lock) - Fits Dual Cab only

TANK005

* Usable volume may differ to the stated tank capacity

• Modification required with factory rear diff-lock.

BREATHER KIT

Universal Twin Manifold Filtered Breather Kit

IDIFFBRE

SUSPENSION TO SUIT MITSUBISHI TRITON ML - 2006-2009

FRONT SUSPENSION

SHOCK ABSORBER

Nitro Gas Strut - Performance

12715GR

2

Foam Cell Strut - Performance

24715FE

2

Foam Cell Pro Strut - Performance* (SEE NOTE)

45715FE

2

*NOTE: MANDATORY FITMENT of UCA050FA and MITS045B /C Coil Springs with 45715FE

COIL SPRINGS

	Est. Lift	Additional Load		
Standard	0mm	0 - 50kg	MITS040S	1
Light	25mm	0 - 50kg	MITS040A	1
Medium	30mm	0 - 80kg	MITS040B	1
Medium* (SEE NOTE)	50mm	0 - 80kg	MITS045B *	1
Heavy	30mm	80 - 110kg	MITS040C	1
Heavy* (SEE NOTE)	50mm	80 - 110kg	MITS045C *	1

*NOTE: MANDATORY FITMENT of UCA050FA and 45715FE with (MITS045B /C) Coil Springs

STRUT MOUNTS

Steel Strut Top

ISST010

2

TRIM PACKERS

5mm Strut Trim Packer	Nitro Gas / Foam Cell	HILFR05/HILFR05F	2
10mm Strut Trim Packer	Nitro Gas / Foam Cell	HILFR10/HILFR10F	2
15mm Strut Trim Packer	Nitro Gas / Foam Cell	HILFR15/HILFR15F	2

CONTROL ARMS

Pro-Forge Upper Control Arms*

UCA050FA-B

1

*NOTE: May require the fitment of additional droop stop shim (UCAP050) to prevent CV bind



ML L200
2006 to 2009

Mitsubishi Triton

Product Description

Part No.

Qty Req

Please check vehicle date range (if shown) next to product description prior to ordering

REAR SUSPENSION

SHOCK ABSORBER

Nitro Gas - Comfort			12636GRC	2
Nitro Gas - Performance			12636GR	2
Nitro Gas - Professional			12636GRP	2
Foam Cell - Comfort			24636FEC	2
Foam Cell - Performance			24636FE	2
Foam Cell - Professional			24636FEP	2
Foam Cell Pro - Comfort			45636FEC	2
Foam Cell Pro - Performance			45636FE	2
Foam Cell Pro - Professional			45636FEP	2

LEAF SPRINGS

	Est. Lift	Additional Load		
Light	40mm	0 - 200kg	MITS041A	2
Medium	40mm	0 - 300kg	MITS041B	2
Heavy	40mm	300kg - GVM	MITS041C	2

• *Must use IRONMAN 4X4 bushes.*

• *Unladen manual vehicles with 2 piece tail shaft may experience vibration in first gear.*

U-BOLTS

U-Bolt Kit			1102UBK	2
------------	--	--	----------------	---

POLYURETHANE SPRING BUSHES

Bush Kit			715TUK	1
----------	--	--	---------------	---

• *Not compatible with OEM springs*

GREASABLE SHACKLES AND PINS

Greasable Shackle			795	2
Non-Greasable Pin			387-1	2

HELPER SPRINGS

Load Plus Helper Springs			LP4	1
--------------------------	--	--	------------	---

SUSPENSION KIT - Specify Front Coil Springs When Ordering

Light - Nitro Gas	MITS041AKG
Light - Foam Cell	MITS041AKF
Medium - Nitro Gas	MITS041BKG
Medium - Foam Cell	MITS041BKF
Medium - Foam Cell Pro	MITS041BKP
Heavy - Nitro Gas	MITS041CKG
Heavy - Foam Cell	MITS041CKF
Heavy - Foam Cell Pro	MITS041CKP

• *Unladen manual vehicles with 2 piece tail shaft may experience vibration in first gear*

SUSPENSION KIT CONTENTS

Shock Absorbers	Leaf Springs	U-Bolts	Polyurethane Spring Bushes
Strut Shock Absorbers	Coil Springs	Upper Control Arms (Foam Cell Pro Kits Only)	

Mitsubishi Triton

MK L200
1996 to 2006

Product Description

Part No.

Qty
Req

Please check vehicle date range (if shown) next to product description prior to ordering

SUSPENSION TO SUIT MITSUBISHI TRITON MK - 1996-2006

FRONT SUSPENSION

SHOCK ABSORBER

Nitro Gas - Performance	12087GR	2
Foam Cell - Performance	24087FE	2

TORSION BAR

Up-rated Torsion Bars	MITSO15C	1
-----------------------	-----------------	---

• Minimum 60mm downward suspension travel required after adjustment

STEERING DAMPER

Foam Cell	Suits vehicles w/o power steering	3517	1
-----------	-----------------------------------	-------------	---

REAR SUSPENSION

SHOCK ABSORBER

Nitro Gas - Comfort	12698GRC	2
Nitro Gas - Performance	12698GR	2
Nitro Gas - Professional	12698GRP	2
Foam Cell - Comfort	24698FEC	2
Foam Cell - Performance	24698FE	2
Foam Cell - Professional	24698FEP	2

LEAF SPRINGS

	Est. Lift	Additional Load		
Medium	40mm	0 - 300kg	MITSO18B	2
Heavy	40mm	300kg - GVM	MITSO18C	2

• Must use IRONMAN 4X4 bushes

U-BOLTS

U-Bolt Kit	451UBK	2
------------	---------------	---

POLYURETHANE SPRING BUSHES

Bush Kit	715TUK	1
----------	---------------	---

• Not compatible with OEM springs

GREASABLE SHACKLES AND PINS

Greasable Shackle	795	2
Non-Greasable Pin	387-1	2

HELPER SPRINGS

Load Plus Helper Springs	LP4	1
--------------------------	------------	---

SUSPENSION KIT

Medium - Nitro Gas	MITSO15BKG1
Medium - Foam Cell	MITSO15BKF1
Heavy - Nitro Gas	MITSO15CKG1
Heavy - Foam Cell	MITSO15CKF1

SUSPENSION KIT CONTENTS

Shock Absorbers	Coil Springs	Polyurethane Spring Bushes	Strut Shock Absorbers
Leaf Springs	U-Bolts	Brake Hose Relocation Kit	



ME-MJ
1993 to 1996

SUSPENSION TO SUIT

Mitsubishi Triton

Product Description

Part No.

Qty
Req

Please check vehicle date range (if shown) next to product description prior to ordering

SUSPENSION TO SUIT MITSUBISHI TRITON ME-MJ - 1993-1996

FRONT SUSPENSION

SHOCK ABSORBER

Nitro Gas - Performance	12082GR	2
Foam Cell - Performance	24082FE	2

TORSION BAR

Uprated Torsion Bars	MITSO15C	1
----------------------	----------	---

• Minimum 60mm downward suspension travel required after adjustment

STEERING DAMPER

Foam Cell	Suits vehicles w/o power steering	3517	1
-----------	-----------------------------------	------	---

REAR SUSPENSION

SHOCK ABSORBER

Nitro Gas - Comfort	12636GRC	2
Nitro Gas - Performance	12636GR	2
Nitro Gas - Professional	12636GRP	2
Foam Cell - Comfort	24636FEC	2
Foam Cell - Performance	24636FE	2
Foam Cell - Professional	24636FEP	2

LEAF SPRINGS

	Est. Lift	Additional Load		
Medium	40mm	0 - 300kg	MITSO18B	2
Heavy	40mm	300kg - GVM	MITSO18C	2

• Must use IRONMAN 4X4 bushes

U-BOLTS

U-Bolt Kit	451UBK	2
------------	--------	---

POLYURETHANE SPRING BUSHES

Bush Kit	715TUK	1
----------	--------	---

• Not compatible with OEM springs

GREASABLE SHACKLES AND PINS

Greasable Shackle	795	2
Non-Greasable Pin	387-1	2

HELPER SPRINGS

Load Plus Helper Springs	LP4	1
--------------------------	-----	---

SUSPENSION KIT

Medium - Nitro Gas	MITSO15BKG
Medium - Foam Cell	MITSO15BKF
Heavy - Nitro Gas	MITSO15CKG
Heavy - Foam Cell	MITSO15CKF

SUSPENSION KIT CONTENTS

Shock Absorbers	Torsion Bars	Polyurethane Spring Bushes
Leaf Springs	U-Bolts	

Mitsubishi Triton

L200
Pre 1993

Product Description

Part No.

Qty
Req

Please check vehicle date range (if shown) next to product description prior to ordering

SUSPENSION TO SUIT MITSUBISHI TRITON L200 - PRE 1993

FRONT SUSPENSION

SHOCK ABSORBER

Nitro Gas - Performance	12082GR	2
Foam Cell - Performance	24082FE	2

TORSION BAR

Up-rated Torsion Bars	MITSO13	1
-----------------------	---------	---

• Minimum 60mm downward suspension travel required after adjustment

STEERING DAMPER

Foam Cell	Suits vehicles w/o power steering	3517	1
-----------	-----------------------------------	------	---

REAR SUSPENSION

SHOCK ABSORBER

Nitro Gas - Comfort	12636GRC	2
Nitro Gas - Performance	12636GR	2
Nitro Gas - Professional	12636GRP	2
Foam Cell - Comfort	24636FEC	2
Foam Cell - Performance	24636FE	2
Foam Cell - Professional	24636FEP	2

LEAF SPRINGS

	Est. Lift	Additional Load		
Medium	45mm	0 - 300kg	MITSO18B	2
Heavy	45mm	300kg - GVM	MITSO18C	2

• Must use IRONMAN 4X4 bushes

U-BOLTS

U-Bolt Kit	451UBK	2
------------	--------	---

POLYURETHANE SPRING BUSHES

Bush Kit	715UK	1
----------	-------	---

GREASABLE SHACKLES AND PINS

Greasable Shackle	795	2
Greasable Pin	796	2

HELPER SPRINGS

Load Plus Helper Springs	LP4	1
--------------------------	-----	---

SUSPENSION KIT

Medium - Nitro Gas	MITSO18BKG1
Medium - Foam Cell	MITSO18BKF1
Heavy - Nitro Gas	MITSO18CKG1
Heavy - Foam Cell	MITSO18CKF1

SUSPENSION KIT CONTENTS

Shock Absorbers	Torsion Bars	Polyurethane Spring Bushes
Leaf Springs	U-Bolts	



Be ready for every occasion!

{IRONMAN}
4X4



Product Description

Part No.

Qty
Req

Please check vehicle date range (if shown) next to product description prior to ordering

ACCESSORIES TO SUIT NISSAN NAVARA NP300 SERIES 5 - 2021+

STEEL WINCH BULL BARS

Deluxe Bull Bar ^Δ	BBCD082	
Premium Bull Bar - 60.3mm Tube†	BBP082	
Apex Bull Bar - 60.3mm Tube	BBP082C	
Apex Bull Bar Kit* - 60.3mm Tube	BBP082CK	
Proguard No Loop Bull Bar	BBP082-NL	
Raid Bull Bar - Includes Integrated Recovery Points	BBR082	
Raid Bull Bar Kit*	BBR082K	
Bull Bar Multi-Function Light Patch Loom to Suit High Spec Headlight	IBBPLO82	
Bull Bar Multi-Function Light Patch Loom to Suit Low Spec Headlight	IBBPLO82L	
Driving Light / Lightbar Patch Loom - <i>While Stocks Last</i>	IPL048	
• Nissan Australia recommend installation of heavy duty front coil springs when installing a bull bar - Aust Only	NISS040C	
120W Bright Sabre Single Row Lightbar 812mm (32") Straight to suit Raid Bull Bar	ILBSR002BW	1
• Apex and Raid Bull Bars are compatible with IRONMAN 4X4 Lightbars and 20W or 40W Cube Lights, refer page 29-33 for available options		
* Round fog lights replaced with provision for Cube Lights (sold separately)		
† Low profile design retains ADAS radar in factory grille		
Δ Relocates ADAS radar into bull bar		
• Premium bull bar compatible with IRONMAN 4X4 Lightbar, refer below for available option		
• Winch with Steel Cable and Roller Fairlead is not suitable - Use Winch with Synthetic Rope and Alloy Hawse only		

LIGHTING OPTION - TO SUIT PREMIUM BULL BAR

75W Bright Sabre Single Row Lightbar 524mm (20") Straight

ILBSR003BW

STEEL SIDE STEPS AND RAILS - FITS DUAL CAB MODELS ONLY

Side Steps - Dimple Step Design	SS048-D
Side Rails	SS048 RAIL
Side Steps and Rails - Dimple Step Design	SSR048-D
Premium Side Steps - 60.3mm Tube - Dimple Step Design	SSP082-D
Premium Side Rails - 60.3mm Tube	SSP082 RAIL
Premium Side Steps and Rails - 60.3mm Tube - Dimple Step Design	SSRP082-D

SSR082-D and SS082 RAIL suit BBCD082 Bull bar. SSRP082 and SSP082 RAIL suit BBP082 bull bar

TOWING

Rear Protection Towbar - Full Rear Bumper Replacement	RTB082
Towbar Wiring Loom - Plug and Play	ITBL082

RECOVERY POINTS - IRONMAN 4X4 BULL BAR ONLY

Recovery Points - 5000kg Rating (Pair)	IRP005
--	--------

SNORKEL

Suits wide and narrow body 2.3L twin and single turbo diesel	ISNORKEL048
--	-------------

PREMIUM UNDERBODY PROTECTION

Engine Bay and Transmission - Series 5	UBP048S
--	---------



NP300
2021+ Series 5

ACCESSORIES TO SUIT

Nissan Navara

Product Description

Part No.

Qty
Req

Please check vehicle date range (if shown) next to product description prior to ordering

CANOPY - PINNACLE 2 FIBREGLASS (SIDE LIFT UP WINDOWS AND CENTRAL LOCKING REAR DOOR) - FITS 4X4 AND 4X2 DUAL CAB MODELS

Pre-Primed	ICANOPY082-P
Black Star (G42)	ICANOPY082-B
Brilliant Silver (K23)	ICANOPY082-BS
Stealth Grey (KBY)	ICANOPY082-SG
Solid White (QM1)	ICANOPY082-SW
Twilight Grey (K21)	ICANOPY082-TG
White Pearl (QX1)	ICANOPY082-WP

** Pre-primed canopies, plus colour coding.*

SLIDE-AWAY ROLL UP HARD TONNEAU COVER

Electric with Remote Control	ISLIDEAWAY082-E
Manual Operation	ISLIDEAWAY082-M
Sports Bar Adaptor	ISLIDEAWAY048-SBA

ATLAS DUAL CAB ROOF RACK KITS

Platform B with Blade Fit Kit (Dual Cab Only) - 1530mm Length*	IFR048PBK
Crossbar (x 2) and Fit Kit (Dual Cab) - 1250mm Width*	IFR048C2K
Crossbar (x 2) and Fit Kit (Suits ST-X and Pro-4X Dual Cab Only) -1375mm Width	IFRK094
Platform K with Leg Fit Kit to Suit Pinnacle 2 Canopy - 1390mm Length	IFRP2PKK
Crossbar (x 2) and Fit Kit to Suit Pinnacle 2 Canopy - 1250mm Width	IFRP2C125K
Platform G with Blade Fit Kit to Suit Slideaway Hard Tonneau Cover - 1390mm Length	IFRSLDAWAYPGK
Crossbar (x 2) and Fit Kit to Suit Slideaway Hard Tonneau Cover - 1650mm Width	IFRSLDAWAYC2K

**Does not suit models with OE raised rails.*

• See Page 38-41 for more Atlas rack, crossbar and accessory options.

FENDER FLARE KITS

Matte Black Smooth Finish 6" (Suits Dual Cab)	IFF6082
---	---------

• Some flares may not be compatible if side rails/brush bars are fitted. Some flares may require slight trimming if snorkel is installed.

FLOOR MATS

Moulded Fit TPO Floor Mats - Front and Rear Set	FLMT082-RHD-2ROW
---	------------------

SEAT COVER

Airbag Compatible Fabric Seat Covers - Front	SC082-CC-1R-A
Airbag Compatible Fabric Seat Covers - Rear	SC082-CC-2R-A

SUN SHADE

Vehicle Specific Sun Screen Shade - Front	SUNSHD082
---	-----------

BREATHER KIT

Universal Twin Manifold Filtered Breather Kit	IDIFFBRE
---	----------

BULL BAR KIT* CONTENTS

Apex Bull Bar	Bull Bar Patch Loom	Cube Lights (2)	Turn / Park Cube Lights (2)		
Raid Bull Bar	Patch Loom	Driving Light Loom	Cube Light Adaptor	Lightbar	Cube Lights (4)



Nissan Navara

NP300 (Coil Springs)
2021+ Series 5



Product Description

Part No.

Qty
Req

Please check vehicle date range (if shown) next to product description prior to ordering

SUSPENSION TO SUIT NISSAN NAVARA NP300 SERIES 5 - 2021+

FRONT SUSPENSION

Product Description	Part No.	Qty Req
SHOCK ABSORBER		
Nitro Gas Strut - Performance	12716GR	2
Foam Cell Strut - Performance	24716FE	2
Foam Cell Pro Strut - Performance	45716FE	2
Foam Cell Pro Strut - Performance - Long Travel* (SEE NOTE)	45716LFE *	2

*NOTE: MANDATORY FITMENT of IRONMAN 4X4 UCA048FA is required with Long Travel - Foam Cell Pro

• Foam Cell Pro contains a single adjusting ring for driveshaft clearance

COIL SPRINGS	Est. Lift	Additional Load	Part No.	Qty Req
Standard	0mm	0 - 50kg	NISS040A	1
Light	20mm	0 - 50kg	NISS040B	1
Medium	35mm	0 - 80kg	NISS040C	1
Heavy	40mm	50 - 110kg	NISS040D	1

• Series 5 vehicles are produced with a 25mm increased ride height from factory. The resulting lift estimated with IRONMAN 4X4 suspension will be 25mm less than stated above

STRUT MOUNTS		
Steel Strut Top	ISST007	2

TRIM PACKERS	Part No.	Qty Req
5mm Strut Trim Packer	HILFR05/HILFR05F	2
10mm Strut Trim Packer	HILFR10/HILFR10F	2
15mm Strut Trim Packer	HILFR15/HILFR15F	2

• ONLY Compatible with IRONMAN 4X4 Struts (except Pro), lift height subject to 2:1 motion ratio. Unnecessary fitment may lift vehicle too high

CONTROL ARMS		
Pro-Forge Upper Control Arms	UCA048FA-B	1

REAR SUSPENSION

SHOCK ABSORBER	Part No.	Qty Req
Nitro Gas - Performance	12728GR	2
Foam Cell - Performance	24728FE	2
Foam Cell - Professional	24728FEP	2
Foam Cell Pro - Comfort	45728FEC	2
Foam Cell Pro - Performance	45728FE	2
Foam Cell Pro - Professional	45728FEP	2

• When fitting Foam Cell Pro shock absorbers to the rear of the vehicle, a small modification may be needed on some vehicles to create clearance between the shock body and the lower shock mount gusset on the differential. Also note the Foam Cell Pro lower eye is offset to assist with clearance.

COIL SPRINGS	Est. Lift	Additional Load	Part No.	Qty Req
Light	20mm	0 - 200kg	NISS058A	1
Medium	40mm	0 - 300kg	NISS058B	1
Heavy	40mm	300kg - 600kg	NISS058C	1
Extra Heavy	45mm	600kg - GVM	NISS058D	1

• Series 5 vehicles are produced with a 25mm increased ride height from factory. The resulting lift estimated with IRONMAN 4X4 suspension will be 25mm less than stated above

COIL SPACER		
Polyurethane 20mm	NAVR20	2

SPACER KIT		
Sway Bar and Headlight Bracket Extension Kit	1204K	1

SUSPENSION KIT - Specify Front Coil Springs When Ordering

Medium - Nitro Gas	NISS058BKG
Medium - Foam Cell	NISS058BKF
Medium - Foam Cell Pro	NISS058BKP
Heavy - Nitro Gas	NISS058CKG
Heavy - Foam Cell	NISS058CKF
Heavy - Foam Cell Pro	NISS058CKP
Extra Heavy - Nitro Gas	NISS058DKG
Extra Heavy - Foam Cell	NISS058DKF
Extra Heavy - Foam Cell Pro	NISS058DKP

• Specify front Coil Springs when ordering

• Series 5 vehicles are produced with a 25mm increased ride height from factory. The resulting lift estimated with IRONMAN 4X4 suspension will be 25mm less than stated above

SUSPENSION KIT CONTENTS

Shock Absorbers	Strut Shock Absorbers	Coil Springs	Sway Bar and Headlight Bracket Kit
-----------------	-----------------------	--------------	------------------------------------

OPTIONS AVAILABLE FOR THIS VEHICLE - SEE PAGE 389



Nissan Navara

NP300 (Leaf Springs)
2021+ Series 5

Product Description

Part No.

Qty
Req*Please check vehicle date range (if shown) next to product description prior to ordering***SUSPENSION TO SUIT NISSAN NAVARA NP300 SERIES 5 - 2021+****FRONT SUSPENSION****SHOCK ABSORBER**

Nitro Gas Strut - Performance			12716GR	2
Foam Cell Strut - Performance			24716FE	2
Foam Cell Pro Strut - Performance			45716FE	2
Foam Cell Pro Strut - Performance - Long Travel* (SEE NOTE)			45716LFE *	2

***NOTE: MANDATORY FITMENT** of IRONMAN 4X4 UCA048FA is required with Long Travel - Foam Cell Pro

• Foam Cell Pro contains a single adjusting ring for driveshaft clearance

COIL SPRINGS

	Est. Lift	Additional Load		
Standard	0mm	0 - 50kg	NISS040A	1
Light	20mm	0 - 50kg	NISS040B	1
Medium	35mm	0 - 80kg	NISS040C	1
Heavy	40mm	50 - 110kg	NISS040D	1

STRUT MOUNTS

Steel Strut Top			ISST007	2
-----------------	--	--	----------------	---

TRIM PACKERS

5mm Strut Trim Packer	Nitro Gas / Foam Cell		HILFR05/HILFR05F	2
10mm Strut Trim Packer	Nitro Gas / Foam Cell		HILFR10/HILFR10F	2
15mm Strut Trim Packer	Nitro Gas / Foam Cell		HILFR15/HILFR15F	2

• ONLY Compatible with IRONMAN 4X4 Struts (Except Pro), lift height subject to 2:1 motion ratio. Unnecessary fitment may lift vehicle too high

CONTROL ARMS

Pro-Forge Upper Control Arms			UCA048FA-B	1
------------------------------	--	--	-------------------	---

REAR SUSPENSION**SHOCK ABSORBER**

Nitro Gas - Comfort			12698GRC	2
Nitro Gas - Performance			12698GR	2
Foam Cell - Comfort			24698FEC	2
Foam Cell - Performance			24698FE	2
Foam Cell - Professional			24698FEP	2
Foam Cell Pro - Comfort			45698FEC	2
Foam Cell Pro - Performance			45698FE	2
Foam Cell Pro - Professional			45698FEP	2

LEAF SPRINGS

	Est. Lift	Additional Load		
Medium	40mm	0 - 300kg	NISS057B	2
Heavy	40mm	300kg - GVM	NISS057C	2

U-BOLTS

U-Bolt Kit			1104UBK	2
------------	--	--	----------------	---

POLYURETHANE SPRING BUSHES

Bush Kit			704TUK	1
----------	--	--	---------------	---

GREASABLE SHACKLES AND PINS

Greasable Shackle			797-3	2
-------------------	--	--	--------------	---

HELPER SPRINGS

Load Plus Helper Springs			LP2	1
Add-A-Leaf			ISL6010	1

SUSPENSION KIT - Specify Front Coil Springs When Ordering

Medium - Nitro Gas	NISS057BKG
Medium - Foam Cell	NISS057BKF
Medium - Foam Cell Pro	NISS057BKP
Heavy - Nitro Gas	NISS057CKG
Heavy - Foam Cell	NISS057CKF
Heavy - Foam Cell Pro	NISS057CKP

SUSPENSION KIT CONTENTS

Shock Absorbers	Coil Springs	Polyurethane Spring Bushes
Leaf Springs	U-Bolts	



Product Description

Part No.

Qty
Req

Please check vehicle date range (if shown) next to product description prior to ordering

ACCESSORIES TO SUIT NISSAN NAVARA NP300 SERIES 1-4 - 2015-2020

STEEL WINCH BULL BARS - THAI BUILT MODEL ONLY (SUITS WIDE BODY)

Commercial Bull Bar	BBC048	
Deluxe Bull Bar	BBCD048	
Raid Bull Bar - Includes Integrated Recovery Points	BBR048	
Raid Bull Bar Kit*	BBR048K	
Proguard No Loop Bull Bar	BBT048-NL	
Proguard Single Loop Kit	BB048-SL	
Proguard Triple Loop Kit	BB048-TL	
Driving Light / Lightbar Patch Loom	IPLS048	
Driving Light / Lightbar Patch Loom - Factory LED Headlight models only - <i>While Stocks Last</i>	IPL048	
*Nissan Australia recommend installation of heavy duty front coil springs when installing a bull bar - Aust Only	NISS040C	
120W Bright Sabre Single Row Lightbar 812mm (32") Straight to suit Raid Bull Bar	ILBSR002BW	1

STEEL SIDE STEPS AND RAILS - FITS DUAL CAB MODELS ONLY

Side Steps - Dimple Step Design	SS048-D	
Side Rails	SS048 RAIL	
Side Steps and Rails - Dimple Step Design	SSR048-D	

TOWING

Class 4 Towbar - Compatible with Factory Rear Bumper	TB048	
Rear Protection Towbar - Full Rear Bumper Replacement	RTB048	
Rear Protection Towbar Plates (Pair)	RTBPLATE048	
Towbar Wiring Loom - Plug and Play	ITBL048	

RECOVERY POINTS - IRONMAN 4X4 BULL BAR ONLY

Recovery Points - 5000kg Rating (Pair)	IRP005	
--	--------	--

SNORKEL

Suits wide and narrow body 2.3L twin and single turbo diesel	ISNORKEL048	
--	-------------	--

LONG RANGE FUEL TANK

140L* - Auto/Coil Spring Diesel only. Not compatible with AdBlue equipped models	TANK048	
--	---------	--

*Usable volume may differ to the stated tank capacity

PREMIUM UNDERBODY PROTECTION

Engine Bay and Transmission - Series 1	UBP048	
Engine Bay and Transmission - Series 2, 3 and 4	UBP048S	

SLIDE-AWAY ROLL UP HARD TONNEAU COVER

Electric with Remote Control	ISLIDEAWAY048-E	
Sports Bar Adaptor	ISLIDEAWAY048-SBA	

ATLAS DUAL CAB ROOF RACK KITS

Platform B with Blade Fit Kit (Dual Cab Only) - 1530mm Length	IFR048PBK	
Crossbar (x 2) and Fit Kit (Dual Cab) - 1250mm Width	IFR048C2K	
Platform K with Leg Fit Kit to Suit Pinnacle 2 Canopy - 1390mm Length	IFRP2PKK	
Crossbar (x 2) and Fit Kit to Suit Pinnacle 2 Canopy - 1250mm Width	IFRP2C125K	
Platform G with Blade Fit Kit to Suit Slideaway Hard Tonneau Cover - 1390mm Length	IFRSLDAWAYPGK	
Crossbar (x 2) and Fit Kit to Suit Slideaway Hard Tonneau Cover - 1650mm Width	IFRSLDAWAYC2K	

*Does not suit models with OE raised rails.

• See Page 38-41 for more Atlas rack, crossbar and accessory options.

FENDER FLARE KITS

Matte Black Smooth Finish 6" (Suits Dual Cab)	IFF6048	
---	---------	--

• Some flares may not be compatible if side rails/brush bars are fitted. Some flares may require slight trimming if snorkel is installed.

BREATHER KIT

Universal Twin Manifold Filtered Breather Kit	IDIFFBRE	
---	----------	--

BULL BAR KIT* CONTENTS

Raid Bull Bar	Patch Loom	Driving Light Loom	Cube Light Adaptor	Lightbar	Cube Lights (4)
---------------	------------	--------------------	--------------------	----------	-----------------

Nissan Navara

NP300 (Coil Springs)
2015 to 2020 Series 1 to 4

Product Description

Part No.

Qty
Req*Please check vehicle date range (if shown) next to product description prior to ordering***SUSPENSION TO SUIT NISSAN NAVARA NP300 SERIES 1-4 - 2015-2020****FRONT SUSPENSION****SHOCK ABSORBER**

Nitro Gas Strut - Performance			12716GR	2
Foam Cell Strut - Performance			24716FE	2
Foam Cell Pro Strut - Performance			45716FE	2
Foam Cell Pro Strut - Performance - Long Travel* (SEE NOTE)			45716LFE *	2

*NOTE: MANDATORY FITMENT of IRONMAN 4X4 UCA048FA is required with Long Travel - Foam Cell Pro

• Foam Cell Pro contains a single adjusting ring for driveshaft clearance

COIL SPRINGS

	Est. Lift	Additional Load		
Standard	0mm	0 - 50kg	NISS040A	1
Light	20mm	0 - 50kg	NISS040B	1
Medium	35mm	0 - 80kg	NISS040C	1
Heavy	40mm	50 - 110kg	NISS040D	1

• Series 5 vehicles are produced with a 25mm increased ride height from factory. The resulting lift estimated with IRONMAN 4X4 suspension will be 25mm less than stated above

STRUT MOUNTS

Steel Strut Top			ISST007	2
-----------------	--	--	----------------	---

TRIM PACKERS

5mm Strut Trim Packer	Nitro Gas / Foam Cell		HILFR05/HILFR05F	2
10mm Strut Trim Packer	Nitro Gas / Foam Cell		HILFR10/HILFR10F	2
15mm Strut Trim Packer	Nitro Gas / Foam Cell		HILFR15/HILFR15F	2

• ONLY Compatible with IRONMAN 4X4 Struts (except Pro), lift height subject to 2:1 motion ratio. Unnecessary fitment may lift vehicle too high

CONTROL ARMS

Pro-Forge Upper Control Arms			UCA048FA-B	1
------------------------------	--	--	-------------------	---

REAR SUSPENSION**SHOCK ABSORBER**

Nitro Gas - Performance			12728GR	2
Foam Cell - Performance			24728FE	2
Foam Cell - Professional			24728FEP	2
Foam Cell Pro - Comfort			45728FEC	2
Foam Cell Pro - Performance			45728FE	2
Foam Cell Pro - Professional			45728FEP	2

• When fitting Foam Cell Pro shock absorbers to the rear of the vehicle, a small modification may be needed on some vehicles to create clearance between the shock body and the lower shock mount gusset on the differential. Also note the Foam Cell Pro lower eye is offset to assist with clearance.

COIL SPRINGS

	Est. Lift	Additional Load		
Light	20mm	0 - 200kg	NISS058A	1
Medium	40mm	0 - 300kg	NISS058B	1
Heavy	40mm	300kg - 600kg	NISS058C	1
Extra Heavy	45mm	600kg - GVM	NISS058D	1

• Series 5 vehicles are produced with a 25mm increased ride height from factory. The resulting lift estimated with IRONMAN 4X4 suspension will be 25mm less than stated above

COIL SPACER

Polyurethane 20mm			NAVR20	2
-------------------	--	--	---------------	---

SPACER KIT

Sway Bar and Headlight Bracket Extension Kit			1204K	1
--	--	--	--------------	---

SUSPENSION KIT - Specify Front Coil Springs When Ordering

Medium - Nitro Gas	NISS058BKG
Medium - Foam Cell	NISS058BKF
Medium - Foam Cell Pro	NISS058BKP
Heavy - Nitro Gas	NISS058CKG
Heavy - Foam Cell	NISS058CKF
Heavy - Foam Cell Pro	NISS058CKP
Extra Heavy - Nitro Gas	NISS058DKG
Extra Heavy - Foam Cell	NISS058DKF
Extra Heavy - Foam Cell Pro	NISS058DKP

• Specify front Coil Springs when ordering

• Series 5 vehicles are produced with a 25mm increased ride height from factory. The resulting lift estimated with IRONMAN 4X4 suspension will be 25mm less than stated above

SUSPENSION KIT CONTENTS

Shock Absorbers	Strut Shock Absorbers
Coil Springs	Sway Bar and Headlight Bracket Kit



Nissan Navara

NP300 (Leaf Springs)
2015 to 2020 Series 1 to 4

Product Description

Part No.

Qty
Req

Please check vehicle date range (if shown) next to product description prior to ordering

SUSPENSION TO SUIT NISSAN NAVARA NP300 SERIES 1-4 - 2015-2020

FRONT SUSPENSION

SHOCK ABSORBER

Nitro Gas Strut - Performance			12716GR	2
Foam Cell Strut - Performance			24716FE	2
Foam Cell Pro Strut - Performance			45716FE	2
Foam Cell Pro Strut - Performance - Long Travel* (SEE NOTE)			45716LFE *	2

*NOTE: MANDATORY FITMENT of IRONMAN 4X4 UCA048FA is required with Long Travel - Foam Cell Pro

• Foam Cell Pro contains a single adjusting ring for driveshaft clearance

COIL SPRINGS

	Est. Lift	Additional Load		
Standard	0mm	0 - 50kg	NISS040A	1
Light	20mm	0 - 50kg	NISS040B	1
Medium	35mm	0 - 80kg	NISS040C	1
Heavy	40mm	50 - 110kg	NISS040D	1

STRUT MOUNTS

Steel Strut Top			ISST007	2
-----------------	--	--	----------------	---

TRIM PACKERS

5mm Strut Trim Packer	Nitro Gas / Foam Cell	HILFR05/HILFR05F	2
10mm Strut Trim Packer	Nitro Gas / Foam Cell	HILFR10/HILFR10F	2
15mm Strut Trim Packer	Nitro Gas / Foam Cell	HILFR15/HILFR15F	2

• ONLY Compatible with IRONMAN 4X4 Struts (Except Pro), lift height subject to 2:1 motion ratio. Unnecessary fitment may lift vehicle too high

CONTROL ARMS

Pro-Forge Upper Control Arms			UCA048FA-B	1
------------------------------	--	--	-------------------	---

REAR SUSPENSION

SHOCK ABSORBER

Nitro Gas - Comfort			12698GRC	2
Nitro Gas - Performance			12698GR	2
Foam Cell - Comfort			24698FEC	2
Foam Cell - Performance			24698FE	2
Foam Cell - Professional			24698FEP	2
Foam Cell Pro - Comfort			45698FEC	2
Foam Cell Pro - Performance			45698FE	2
Foam Cell Pro - Professional			45698FEP	2

LEAF SPRINGS

	Est. Lift	Additional Load		
Medium	40mm	0 - 300kg	NISS057B	2
Heavy	40mm	300kg - GVM	NISS057C	2

U-BOLTS

U-Bolt Kit			1104UBK	2
------------	--	--	----------------	---

POLYURETHANE SPRING BUSHES

Bush Kit			704TUK	1
----------	--	--	---------------	---

GREASABLE SHACKLES AND PINS

Greasable Shackle			797-3	2
-------------------	--	--	--------------	---

HELPER SPRINGS

Load Plus Helper Springs			LP2	1
Add-A-Leaf			ISL6010	1

SUSPENSION KIT - Specify Front Coil Springs When Ordering

Medium - Nitro Gas	NISS057BKG
Medium - Foam Cell	NISS057BKF
Medium - Foam Cell Pro	NISS057BKP
Heavy - Nitro Gas	NISS057CKG
Heavy - Foam Cell	NISS057CKF
Heavy - Foam Cell Pro	NISS057CKP

SUSPENSION KIT CONTENTS

Shock Absorbers	Coil Springs	Polyurethane Spring Bushes
Leaf Springs	U-Bolts	



D40
2005+

Nissan Navara

Product Description

Part No.

Qty
Req

Please check vehicle date range (if shown) next to product description prior to ordering

ACCESSORIES TO SUIT NISSAN NAVARA D40 - 2005+

STEEL WINCH BULL BARS - RECESSED LINE IN OE BUMPER BAR AND THAI BUILT VEHICLES WITH SMOOTH BUMPER

Deluxe Bull Bar

BBCD012

• Can also be fitted to both 2WD and 4WD models.

STEEL WINCH BULL BARS - SMOOTH OE BUMPER BAR EXCEPT THAI BUILT VEHICLES

Deluxe Bull Bar

BBCD042

• Can also be fitted to both 2WD and 4WD models.

• STX Spain Built 2010+ - Fits 440(4Cyl) and 550 (V6) Smooth Bumper

STEEL SIDE STEPS AND RAILS - THAI BUILT DUAL CAB MODEL

Side Steps

SS007

Side Steps and Rails

SSR003

STEEL SIDE STEPS AND RAILS - SPAIN BUILT 2010+ DUAL CAB MODEL

Side Steps

SS042

Side Steps and Rails

SSR042

RECOVERY POINTS - IRONMAN 4X4 BULL BAR ONLY

Recovery Points - 5000kg Rating (Pair)

IRP005

SNORKEL

D40 Navara 2005+ - Not including RX models

ISNORKEL019

• Not compatible with RX models.

LONG RANGE FUEL TANK

Spain Built 145L* Dual Cab - Diesel only

TANK003

Thai Built 145L* Dual Cab - Diesel only (includes adaptor kit)

TANK003T

* Usable volume may differ to the stated tank capacity

BREATHER KIT

Universal Twin Manifold Filtered Breather Kit

IDIFFBRE



Nissan Navara

D40 (V6 Diesel)
2005+

Product Description

Part No.

Qty
Req

Please check vehicle date range (if shown) next to product description prior to ordering

SUSPENSION TO SUIT NISSAN NAVARA D40 - 2005+

FRONT SUSPENSION

SHOCK ABSORBER

Nitro Gas Strut - Performance			12716GR	2
Foam Cell Strut - Performance			24716FE	2
Foam Cell Pro Strut - Performance			45716FE	2
Foam Cell Pro Strut - Performance - Long Travel* (SEE NOTE)			45716LFE *	2

*NOTE: MANDATORY FITMENT of IRONMAN 4X4 UCA048FA is required with Long Travel - Foam Cell Pro

• Foam Cell Pro contains a single adjusting ring for driveshaft clearance

COIL SPRINGS

	Est. Lift	Additional Load		
Medium	35mm	0 - 50kg	NISS040C	1
Heavy	35mm	50 - 110kg	NISS040D	1

STRUT MOUNTS

Steel Strut Top			ISST007	2
-----------------	--	--	---------	---

TRIM PACKERS

5mm Strut Trim Packer	Nitro Gas / Foam Cell	HILFR05/HILFR05F	2
10mm Strut Trim Packer	Nitro Gas / Foam Cell	HILFR10/HILFR10F	2
15mm Strut Trim Packer	Nitro Gas / Foam Cell	HILFR15/HILFR15F	2

• ONLY Compatible with IRONMAN 4X4 Struts (Except Pro), lift height subject to 2:1 motion ratio. Unnecessary fitment may lift vehicle too high

CONTROL ARMS

Pro-Forge Upper Control Arms			UCA048FA-B	1
------------------------------	--	--	------------	---

REAR SUSPENSION

SHOCK ABSORBER

Nitro Gas - Performance			12717GR	2
Foam Cell - Performance			24717FE	2
Foam Cell - Professional			24717FEP	2
Foam Cell Pro - Performance			45717FE	2
Foam Cell Pro - Professional			45717FEP	2

LEAF SPRINGS

	Est. Lift	Additional Load		
Medium	40mm	0 - 300kg	NISS041B	2
Heavy	40mm	300 - 500kg	NISS041C	2
Extra Heavy	40mm	500kg - GVM	NISS041D	2

U-BOLTS

U-Bolt Kit	Suits NISS041B and NISS041C	437UBK	2
U-Bolt Kit Extra Long	Suits NISS041D	437UBKL	2

POLYURETHANE SPRING BUSHES

Bush Kit		769UK	1
----------	--	-------	---

GREASABLE SHACKLES AND PINS

Greasable Shackle		797-1	2
-------------------	--	-------	---

AXLE PROTECTION

ABS Wire and Axle Shield		IAP001	1
--------------------------	--	--------	---

HELPER SPRINGS

Load Plus Helper Springs		LP2	1
Add-A-Leaf		ISL6010	1

SUSPENSION KIT - Specify Front Coil Springs When Ordering

Medium - Nitro Gas	NISS041BKG1
Medium - Foam Cell	NISS041BKF1
Medium - Foam Cell Pro	NISS041BKP1
Heavy - Nitro Gas	NISS041CKG1
Heavy - Foam Cell	NISS041CKF1
Heavy - Foam Cell Pro	NISS041CKP1
Extra Heavy - Nitro Gas	NISS041DKG1
Extra Heavy - Foam Cell	NISS041DKF1
Extra Heavy - Foam Cell Pro	NISS041DKP1

SUSPENSION KIT CONTENTS

Shock Absorbers	Coil Springs	Polyurethane Spring Bushes
Leaf Springs	U-Bolts	Strut Shock Absorbers



D40 (4cyl Diesel and V6 Petrol)
2005+

SUSPENSION TO SUIT

Nissan Navara

Product Description

Part No.

Qty
Req

Please check vehicle date range (if shown) next to product description prior to ordering

SUSPENSION TO SUIT NISSAN NAVARA D40 - 2005+

FRONT SUSPENSION

SHOCK ABSORBER

Nitro Gas Strut - Performance			12716GR	2
Foam Cell Strut - Performance			24716FE	2
Foam Cell Pro Strut - Performance			45716FE	2
Foam Cell Pro Strut - Performance - Long Travel* (SEE NOTE)			45716LFE *	2

*NOTE: MANDATORY FITMENT of IRONMAN 4X4 UCA048FA is required with Long Travel - Foam Cell Pro

• Foam Cell Pro contains a single adjusting ring for driveshaft clearance

COIL SPRINGS

	Est. Lift	Additional Load		
Medium	35mm	0 - 50kg	NISS040B	1
Heavy	35mm	50 - 110kg	NISS040C	1

STRUT MOUNTS

Steel Strut Top			ISST007	2
-----------------	--	--	----------------	---

TRIM PACKERS

5mm Strut Trim Packer	Nitro Gas / Foam Cell	HILFR05/HILFR05F	2
10mm Strut Trim Packer	Nitro Gas / Foam Cell	HILFR10/HILFR10F	2
15mm Strut Trim Packer	Nitro Gas / Foam Cell	HILFR15/HILFR15F	2

• ONLY Compatible with IRONMAN 4X4 Struts (Except Pro), lift height subject to 2:1 motion ratio. Unnecessary fitment may lift vehicle too high

CONTROL ARMS

Pro-Forge Upper Control Arms		UCA048FA-B	1
------------------------------	--	-------------------	---

REAR SUSPENSION

SHOCK ABSORBER

Nitro Gas - Performance		12717GR	2
Foam Cell - Performance		24717FE	2
Foam Cell - Professional		24717FEP	2
Foam Cell Pro - Performance		45717FE	2
Foam Cell Pro - Professional		45717FEP	2

LEAF SPRINGS

	Est. Lift	Additional Load		
Medium	40mm	0 - 300kg	NISS041B	2
Heavy	40mm	300 - 500kg	NISS041C	2
Extra Heavy	40mm	500kg - GVM	NISS041D	2

U-BOLTS

U-Bolt Kit	Suits NISS041B and NISS041C	437UBK	2
U-Bolt Kit Extra Long	Suits NISS041D	437UBKL	2

POLYURETHANE SPRING BUSHES

Bush Kit		769UK	1
----------	--	--------------	---

GREASABLE SHACKLES AND PINS

Greasable Shackle		797-1	2
-------------------	--	--------------	---

AXLE PROTECTION

ABS Wire and Axle Shield		IAP001	1
--------------------------	--	---------------	---

HELPER SPRINGS

Load Plus Helper Springs		LP2	1
Add-A-Leaf		ISL6010	1

SUSPENSION KIT - Specify Front Coil Springs When Ordering

Medium - Nitro Gas	NISS041BKG
Medium - Foam Cell	NISS041BKF
Medium - Foam Cell Pro	NISS041BKP
Heavy - Nitro Gas	NISS041CKG
Heavy - Foam Cell	NISS041CKF
Heavy - Foam Cell Pro	NISS041CKP
Extra Heavy - Nitro Gas	NISS041DKG
Extra Heavy - Foam Cell	NISS041DKF
Extra Heavy - Foam Cell Pro	NISS041DKP

SUSPENSION KIT CONTENTS

Shock Absorbers	Coil Springs	Polyurethane Spring Bushes
Leaf Springs	U-Bolts	Strut Shock Absorbers



Nissan Navara

Product Description

Part No.

Qty Req

Please check vehicle date range (if shown) next to product description prior to ordering

ACCESSORIES TO SUIT NISSAN NAVARA D22 - 2002+

STEEL WINCH BULL BARS

Deluxe Bull Bar

BBCD013

• Can also be fitted to both 2WD and 4WD models.

BREATHER KIT

Universal Twin Manifold Filtered Breather Kit

IDIFFBRE

SUSPENSION TO SUIT NISSAN NAVARA D22 - 1997+

FRONT SUSPENSION

SHOCK ABSORBER

Nitro Gas - Performance

12791GR

2

• Upper control arm may contact shock absorber, grind away material on control arm for clearance

TORSION BAR

Up-rated Torsion Bars

NISS025

1

• Minimum 60mm downward suspension travel required after adjustment

REAR SUSPENSION

SHOCK ABSORBER

Nitro Gas - Comfort

12636GRC

2

Nitro Gas - Performance

12636GR

2

Nitro Gas - Professional

12636GRP

2

LEAF SPRINGS EST. LIFT ADDITIONAL LOAD

Light - Drivers Side

40mm

0 - 100kg

NISS014AD/S

1

Light - Near Side

40mm

0 - 100kg

NISS014AN/S

1

Medium - Drivers Side

40mm

0 - 250kg

NISS014BD/S

1

Medium - Near Side

40mm

0 - 250kg

NISS014BN/S

1

Heavy - Drivers Side

40mm

250kg - GVM

NISS014CD/S

1

Heavy - Near Side

40mm

250kg - GVM

NISS014CN/S

1

U-BOLTS

U-Bolt Kit

788UBK

2

POLYURETHANE SPRING BUSHES

Bush Kit

704UK

1

GREASABLE SHACKLES AND PINS

Greasable Shackle

797

2

Greasable Pin

798

2

HELPER SPRINGS

Load Plus Helper Springs

LP3

1

Add-A-Leaf

ISL6010

1

SUSPENSION KIT

Light - Nitro Gas

NISS025AKG

Medium - Nitro Gas

NISS025BKG

Heavy - Nitro Gas

NISS025CKG

SUSPENSION KIT CONTENTS

Shock Absorbers

Torsion Bars

Polyurethane Spring Bushes

Leaf Springs

U-Bolts



D21
1985 to 1996

SUSPENSION TO SUIT

Nissan Navara

Product Description

Part No.

Qty
Req

Please check vehicle date range (if shown) next to product description prior to ordering

SUSPENSION TO SUIT NISSAN NAVARA D21 - 1985-1996

FRONT SUSPENSION

SHOCK ABSORBER

Nitro Gas - Performance	12087GR	2
Foam Cell - Performance	24087FE	2

TORSION BAR

Uprated Torsion Bars	NISS013	1
----------------------	---------	---

• Minimum 60mm downward suspension travel required after adjustment

REAR SUSPENSION

SHOCK ABSORBER

Nitro Gas - Comfort	12636GRC	2
Nitro Gas - Performance	12636GR	2
Nitro Gas - Professional	12636GRP	2
Foam Cell - Comfort	24636FEC	2
Foam Cell - Performance	24636FE	2
Foam Cell - Professional	24636FEP	2

LEAF SPRINGS EST. LIFT ADDITIONAL LOAD

Light - Drivers Side	40mm	0 - 100kg	NISS014AD/S	1
Light - Near Side	40mm	0 - 100kg	NISS014AN/S	1
Medium - Drivers Side	40mm	0 - 250kg	NISS014BD/S	1
Medium - Near Side	40mm	0 - 250kg	NISS014BN/S	1
Heavy - Drivers Side	40mm	250kg - GVM	NISS014CD/S	1
Heavy - Near Side	40mm	250kg - GVM	NISS014CN/S	1

U-BOLTS

U-Bolt Kit	788UBK	2
------------	--------	---

POLYURETHANE SPRING BUSHES

Bush Kit	704UK	1
----------	-------	---

GREASABLE SHACKLES AND PINS

Greasable Shackle	797	2
Greasable Pin	798	2

HELPER SPRINGS

Load Plus Helper Springs	LP3	1
Add-A-Leaf	ISL6010	1

SUSPENSION KIT

Light - Nitro Gas	NISS014AKG
Light - Foam Cell	NISS014AKF
Medium - Nitro Gas	NISS014BKG
Medium - Foam Cell	NISS014BKF
Heavy - Nitro Gas	NISS014CKG
Heavy - Foam Cell	NISS014CKF

SUSPENSION KIT CONTENTS

Shock Absorbers	Torsion Bars	Polyurethane Spring Bushes
Leaf Springs	U-Bolts	

Nissan Paladin

Pre 2005



Product Description

Part No.

Qty
Req

Please check vehicle date range (if shown) next to product description prior to ordering

SUSPENSION TO SUIT NISSAN PALADIN - PRE 2005

FRONT SUSPENSION

SHOCK ABSORBER

Nitro Gas - Performance	12791GR	2
-------------------------	---------	---

TORSION BAR

Up-rated Torsion Bars	NISS048	1
-----------------------	---------	---

• Minimum 60mm downward suspension travel required after adjustment

REAR SUSPENSION

SHOCK ABSORBER

Nitro Gas - Comfort	12698GRC	2
---------------------	----------	---

Nitro Gas - Performance	12698GR	2
-------------------------	---------	---

Foam Cell - Comfort	24698FEC	2
---------------------	----------	---

Foam Cell - Performance	24698FE	2
-------------------------	---------	---

Foam Cell - Professional	24698FEP	2
--------------------------	----------	---

LEAF SPRINGS EST. LIFT ADDITIONAL LOAD

Medium	40mm	0 - 250kg	NISS049B	2
--------	------	-----------	----------	---

U-BOLTS

U-Bolt Kit	654UBK	2
------------	--------	---

POLYURETHANE SPRING BUSHES

Bush Kit	769UKL	1
----------	--------	---

GREASABLE SHACKLES AND PINS

Greasable Shackle	797-2	2
-------------------	-------	---

Greasable Pin	798	2
---------------	-----	---

HELPER SPRINGS

Load Plus Helper Springs	LP2	1
--------------------------	-----	---

Add-A-Leaf	ISL6010	1
------------	---------	---

SUSPENSION KIT

Medium - Nitro Gas	NISS049BKG
--------------------	------------

SUSPENSION KIT CONTENTS

Shock Absorbers

Shackles

Polyurethane Spring Bushes

Leaf Springs

U-Bolts



R51
2005 to 2013
R51 (V6 Diesel)
7/2005+

ACCESSORIES AND SUSPENSION TO SUIT

Nissan Pathfinder

Product Description

Part No.

Qty
Req

Please check vehicle date range (if shown) next to product description prior to ordering

ACCESSORIES TO SUIT NISSAN PATHFINDER R51 - 2005-2013

STEEL WINCH BULL BARS - RECESSED LINE IN OE BUMPER BAR AND THAI VEHICLES WITH SMOOTH BUMPER

Deluxe Bull Bar **BBCD012**

STEEL WINCH BULL BARS - SMOOTH OE BUMPER BAR EXCEPT THAI BUILT VEHICLES

Deluxe Bull Bar **BBCD042**

• STX Spain Built 2010+ - Fits 2012 V6 model only

SNORKEL

R51 Pathfinder **ISNORKEL019**

BREATHER KIT

Universal Twin Manifold Filtered Breather Kit **IDIFFBRE**

SUSPENSION TO SUIT NISSAN PATHFINDER R51 - 7/2005+

FRONT SUSPENSION

SHOCK ABSORBER

Nitro Gas Strut - Performance **12716GR** 2

Foam Cell Strut - Performance **24716FE** 2

Foam Cell Pro Strut - Performance **45716FE** 2

Foam Cell Pro Strut - Performance - Long Travel* (SEE NOTE) **45716LFE *** 2

*NOTE: MANDATORY FITMENT of IRONMAN 4X4 UCA048FA is required with Long Travel - Foam Cell Pro

• Foam Cell Pro contains a single adjusting ring for driveshaft clearance

COIL SPRINGS

	Est. Lift	Additional Load		
Medium	35mm	0 - 50kg	NISS040C	1
Heavy	35mm	50 - 110kg	NISS040D	1

• ONLY Compatible with IRONMAN 4X4 Struts (Except Pro), lift height subject to 2:1 motion ratio. Unnecessary fitment may lift vehicle too high

CONTROL ARMS

Pro-Forge Upper Control Arms **UCA048FA-B** 1

REAR SUSPENSION

SHOCK ABSORBER

Nitro Gas - Performance **12718GR** 2

Foam Cell - Performance **24718FE** 2

COIL SPRINGS

	Est. Lift	Additional Load		
Medium	40mm	0 - 250kg	NISS042B	1
Heavy	40mm	250kg - GVM	NISS042C	1

SUSPENSION KIT - Specify Front Coil Springs When Ordering

Medium - Nitro Gas **NISS042BKG1**

Medium - Foam Cell **NISS042BKF1**

Heavy - Nitro Gas **NISS042CKG1**

Heavy - Foam Cell **NISS042CKF1**

SUSPENSION KIT CONTENTS

Shock Absorbers

Strut Shock Absorbers

Coil Springs



Nissan Pathfinder

R51 (4cyl Diesel and V6 Petrol)
7/2005+

Product Description

Part No.

Qty
Req

Please check vehicle date range (if shown) next to product description prior to ordering

SUSPENSION TO SUIT NISSAN PATHFINDER R51 - 7/2005+

FRONT SUSPENSION

SHOCK ABSORBER

Nitro Gas Strut - Performance			12716GR	2
Foam Cell Strut - Performance			24716FE	2
Foam Cell Pro Strut - Performance			45716FE	2
Foam Cell Pro Strut - Performance - Long Travel* (SEE NOTE)			45716LFE *	2

*NOTE: MANDATORY FITMENT of IRONMAN 4X4 UCA048FA is required with Long Travel - Foam Cell Pro

• Foam Cell Pro contains a single adjusting ring for driveshaft clearance

COIL SPRINGS

	Est. Lift	Additional Load		
Medium	35mm	0 - 50kg	NISS040B	1
Heavy	35mm	50 - 110kg	NISS040C	1

STRUT MOUNTS

Steel Strut Top			ISST007	2
-----------------	--	--	----------------	---

TRIM PACKERS

5mm Strut Trim Packer	Nitro Gas / Foam Cell	HILFR05/HILFR05F	2
10mm Strut Trim Packer	Nitro Gas / Foam Cell	HILFR10/HILFR10F	2
15mm Strut Trim Packer	Nitro Gas / Foam Cell	HILFR15/HILFR15F	2

• ONLY Compatible with IRONMAN 4X4 Struts (Except Pro), lift height subject to 2:1 motion ratio. Unnecessary fitment may lift vehicle too high

CONTROL ARMS

Pro-Forge Upper Control Arms		UCA048FA-B	1
------------------------------	--	-------------------	---

REAR SUSPENSION

SHOCK ABSORBER

Nitro Gas - Performance		12718GR	2
Foam Cell - Performance		24718FE	2

COIL SPRINGS

	Est. Lift	Additional Load		
Medium	40mm	0 - 250kg	NISS042B	1
Heavy	40mm	250kg - GVM	NISS042C	1

SUSPENSION KIT - Specify Front Coil Springs When Ordering

Medium - Nitro Gas	NISS042BKG
Medium - Foam Cell	NISS042BKF
Heavy - Nitro Gas	NISS042CKG
Heavy - Foam Cell	NISS042CKF

• Mandatory 4 wheel alignment after installing new suspension

SUSPENSION KIT CONTENTS

Shock Absorbers

Strut Shock Absorbers

Coil Springs



R50
1995 to 7/2005

SUSPENSION TO SUIT

Nissan Pathfinder

Product Description

Part No.

Qty
Req

Please check vehicle date range (if shown) next to product description prior to ordering

SUSPENSION TO SUIT NISSAN PATHFINDER R50 - 1995-7/2005

FRONT SUSPENSION

COIL SPRINGS	Est. Lift	Additional Load	Part No.	Qty
Medium	35mm	0 - 50kg	NISS034B	1
CAMBER CORRECTION				
Camber Bolt Kit			ICAMBER14	1

REAR SUSPENSION

COIL SPRINGS	Est. Lift	Additional Load	Part No.	Qty
Medium	35mm	0 - 200kg	NISS035B	1



R20 / WD21
Pre 1995

SUSPENSION TO SUIT

Nissan Pathfinder / Terrano / II

Product Description

Part No.

Qty
Req

Plat.
ea. +GST

Dist.
ea. +GST

W/Sale
ea. +GST

Retail
ea. Inc GST

USD
ea

Please check vehicle date range (if shown) next to product description prior to ordering

SUSPENSION TO SUIT NISSAN PATHFINDER R50 / TERRANO / II - PRE 1995

FRONT SUSPENSION

SHOCK ABSORBER				
Nitro Gas - Performance			12667GR	2
Foam Cell - Performance			24667FE	2
TORSION BAR				
Uprated Torsion Bars			NISS017	1
• Minimum 60mm downward suspension travel required after adjustment				

REAR SUSPENSION

SHOCK ABSORBER				
Nitro Gas - Comfort			12636GRC	2
Nitro Gas - Performance			12636GR	2
Nitro Gas - Professional			12636GRP	2
Foam Cell - Comfort			24636FEC	2
Foam Cell - Performance			24636FE	2
Foam Cell - Professional			24636FEP	2
COIL SPRINGS				
Medium	40mm	0 - 250kg	NISS018B	1
Heavy	40mm	250kg - GVM	HOLD008B	1

SUSPENSION KIT

Medium - Nitro Gas	NISS018BKG
Medium - Foam Cell	NISS018BKF
Heavy - Nitro Gas	NISS018CKG
Heavy - Foam Cell	NISS018CKF

SUSPENSION KIT CONTENTS

Shock Absorbers

Coil Springs

Torsion Bars

Nissan Patrol

Y62
2010 to 2019 Series 2 to 3
2020+ Series 5



Product Description

Part No.

Qty
Req

Please check vehicle date range (if shown) next to product description prior to ordering

ACCESSORIES TO SUIT NISSAN PATROL Y62 - 2010+

STEEL WINCH BULL BARS

Premium Bull Bar - 60.3mm Tube - (2010 to 2019) †	BBP062	
Premium Bull Bar - 60.3mm Tube - (Series 5 - 2020+)	BBP084	
Apex Bull Bar - 60.3mm Tube - (Series 5 - 2020+)	BBP084C	
Apex Bull Bar Kit* - 60.3mm Tube - (Series 5 - 2020+)	BBP084CK	
Raid Bull Bar - Includes Integrated Recovery Points - (Series 5 - 2020+)	BBR084	
Raid Bull Bar Kit - (Series 5 - 2020+)	BBR084K	
Driving Light / Lightbar Patch Loom	IPLS084	
Bull Bar Multi-Function Light Patch Loom	IBBP084	
Driving Light / Lightbar Patch Loom - Factory LED Headlight models only - <i>While Stocks Last</i>	IPL084	
Parking Sensor Extension Loom - (Series 5 - 2020+)	IBBPSL084	
120W Bright Sabre Single Row Lightbar 812mm (32") Straight to suit Raid Bull Bar	ILBSR002BW	1

• Apex and Raid Bull Bars are compatible with IRONMAN 4X4 Lightbars and 20W or 40W Cube Lights, refer page 29-33 for available options
** Round fog lights replaced with provision for Cube Lights (sold separately)*
 † Does not suit vehicles with Adaptive Cruise Control.
 • Winch with Steel Cable and Roller Fairlead is not suitable with BBP084 or BBR084 - Use Winch with Synthetic Rope and Alloy Hawse only

STEEL SIDE STEPS AND RAILS

Premium Side Steps - 60.3mm Tube - (2020+)	SSP084
Premium Side Rails - 60.3mm Tube - (2020+)	SSP084 RAIL
Premium Side Steps and Rails - 60.3mm Tube - (2020+)	SSRP084

ATLAS ROOF RACK KIT

Platform N with Blade Fit Kit - 2130mm Length	IFR062LPNK
---	-------------------

• See Page 38-41 for more Atlas rack, crossbar and accessory options.

BREATHER KIT

Universal Twin Manifold Filtered Breather Kit	IDIFFBRE
---	-----------------

BULL BAR KIT* CONTENTS

Apex Bull Bar (BBP084CK)	Bull Bar Patch Loom	Cube Lights (2)	Turn / Park Cube Lights (2)		
Raid Bull Bar	Patch Loom	Driving Light Loom	Cube Light Adaptor	Lightbar	Cube Lights (4)

Y62
2010+

Product Description

Part No.

Qty
Req

Please check vehicle date range (if shown) next to product description prior to ordering

SUSPENSION TO SUIT NISSAN PATROL Y62 - 2010+

FRONT SUSPENSION

SHOCK ABSORBER

Nitro Gas Strut - Performance			12740GR	2
Foam Cell Strut - Performance			24740FE	2
Foam Cell Pro Strut - Performance			45740FE	2

• Non HBMC models only

COIL SPRINGS

	Est. Lift	Additional Load		
Light	30mm	0 - 50kg	NISS045A	1
Medium	40mm	0 - 50kg	NISS045B	1
Heavy	50mm	50 - 110kg	NISS045C	1

TRIM PACKERS

5mm Strut Trim Packer	Nitro Gas / Foam Cell	HILFR05/HILFR05F	2
10mm Strut Trim Packer	Nitro Gas / Foam Cell	HILFR10/HILFR10F	2
15mm Strut Trim Packer	Nitro Gas / Foam Cell	HILFR15/HILFR15F	2

• ONLY Compatible with IRONMAN 4X4 Struts (except Pro), lift height subject to 2:1 motion ratio. Unnecessary fitment may lift vehicle too high

SWAY BAR

36mm Sway Bar	ISB600F	1
---------------	----------------	---

REAR SUSPENSION

SHOCK ABSORBER

Nitro Gas - Performance		12742GR	2
Foam Cell - Performance		24742FE	2
Foam Cell Pro - Performance		45742FE	2

• Non HBMC models only

COIL SPRINGS

	Est. Lift	Additional Load		
Light	30mm	0 - 300kg	NISS046A	1
Medium	40mm	0 - 300kg	NISS046B	1
Heavy	50mm	300kg - GVM	NISS046C	1

SWAY BAR

27mm Sway Bar	ISB600R	1
---------------	----------------	---

SUSPENSION KIT - Specify Front Coil Springs When Ordering

Light - Nitro Gas	NISS045AKG
Light - Foam Cell	NISS045AKF
Light - Foam Cell Pro	NISS045AKP
Medium - Nitro Gas	NISS045BKG
Medium - Foam Cell	NISS045BKF
Medium - Foam Cell Pro	NISS045BKP
Heavy - Nitro Gas	NISS045CKG
Heavy - Foam Cell	NISS045CKF
Heavy - Foam Cell Pro	NISS045CKP

• Non HBMC models only

• Mandatory 4 wheel alignment after installing new suspension

SUSPENSION KIT CONTENTS

Shock Absorbers	Leaf Springs
Strut Shock Absorbers	Coil Springs

Nissan Patrol

Y61 GU Series 4
2005+



Product Description

Part No.

Qty
Req

Please check vehicle date range (if shown) next to product description prior to ordering

ACCESSORIES TO SUIT NISSAN PATROL Y61 - 2005+

STEEL WINCH BULL BARS

Premium Bull Bar - 60.3mm Tube **BBP011**

STEEL SIDE STEPS AND RAILS

Side Steps **SS012**

Side Steps and Rails **SSR012**

Premium Side Steps and Rails - 60.3mm Tube **SSRP011**

RECOVERY POINTS - IRONMAN 4X4 BULL BAR ONLY

Recovery Points - 5000kg Rating (Pair) **IRP005**

SNORKEL

GU Patrol Series 4 **ISNORKELO13**

STEEL ROOF RACKS

Cage Style - 1.4m x 1.25m **IRRCAGE14**

Rooftop Tent Compatible - 1.8m x 1.25m **IRRTENT18**

Rooftop Tent Compatible - 2.2m x 1.25m **IRRTENT22**

Trade Style - 2.2m x 1.25m (Open end) **IRRTRADE22**

ALLOY ROOF RACKS

Cage Style - 1.8m x 1.25m **IRRCAGE18-ALLOY**

Cage Style - 2.2m x 1.25m **IRRCAGE22-ALLOY**

Trade Style - 1.4m x 1.25m (Open end) **IRROPEN14-ALLOY**

Trade Style - 1.8m x 1.25m (Open end) **IRRTRADE18-ALLOY**

Trade Style - 2.2m x 1.25m (Open end) **IRRTRADE22-ALLOY**

Flat Rack - 1.8m x 1.25m **IRRTFLAT18-ALLOY**

BREATHER KIT

Universal Twin Manifold Filtered Breather Kit **IDIFFBRE**



Y61 GU Series 1-3
1998 to 2004

Nissan Patrol

Product Description

Part No.

Qty
Req

Please check vehicle date range (if shown) next to product description prior to ordering

ACCESSORIES TO SUIT NISSAN PATROL Y61 - 1998-2004

STEEL WINCH BULL BARS

Deluxe Bull Bar (Coil Spring Only)

BBCD009

STEEL SIDE STEPS AND RAILS

Side Steps

SS012

Side Steps and Rails

SSR012

RECOVERY POINTS - IRONMAN 4X4 BULL BAR ONLY

Recovery Points - 5000kg Rating (Pair)

IRP005

• Series 3-5 only.

SNORKEL

GU Patrol Series 1 2 and 3

ISNORKEL015

STEEL ROOF RACKS

Cage Style - 1.4m x 1.25m

IRRCAGE14

Rooftop Tent Compatible - 1.8m x 1.25m

IRRTENT18

Rooftop Tent Compatible - 2.2m x 1.25m

IRRTENT22

Trade Style - 2.2m x 1.25m (Open end)

IRRTRADE22

ALLOY ROOF RACKS

Cage Style - 1.8m x 1.25m

IRRCAGE18-ALLOY

Cage Style - 2.2m x 1.25m

IRRCAGE22-ALLOY

Trade Style - 1.4m x 1.25m (Open end)

IRROPEN14-ALLOY

Trade Style - 1.8m x 1.25m (Open end)

IRRTRADE18-ALLOY

Trade Style - 2.2m x 1.25m (Open end)

IRRTRADE22-ALLOY

Flat Rack - 1.8m x 1.25m

IRRTFLAT18-ALLOY

BREATHER KIT

Universal Twin Manifold Filtered Breather Kit

IDIFFBRE



Nissan Patrol

Y61 GU LWB Wagon



Product Description

Part No.

Qty
Req

Please check vehicle date range (if shown) next to product description prior to ordering

SUSPENSION TO SUIT NISSAN PATROL Y61

FRONT SUSPENSION

SHOCK ABSORBER

Nitro Gas - Performance			12091GR	2
Foam Cell - Performance			24091FE	2
Foam Cell - Professional			24091FEP	2
Foam Cell - Performance	Suits 4" Lift		24091LFE	2
Foam Cell - Performance	Suits 6" Lift		24091LFE1	2
Foam Cell Pro - Performance			45091FE	2
Foam Cell Pro - Professional			45091FEP	2
Foam Cell Pro - Performance	Suits 4" Lift		45091LFE	2
Foam Cell Pro - Professional	Suits 4" Lift		45091LFEP	2
Foam Cell Pro - Performance	Suits 6" Lift		45091LFE1	2

COIL SPRINGS

	Est. Lift	Additional Load		
Medium	50mm	0 - 50kg	NISS024B	1
Medium - 4" Lift	100mm	0 - 100kg	NISS026B	1
Medium - 6" Lift	150mm	0 - 100kg	NISS043B	1
Heavy	50mm	50 - 110kg	NISS009C	1

STEERING DAMPER

Foam Cell	Pre 2/2000		3511	1
Foam Cell	2/2000+		3501	1

CASTER CORRECTION

2° Offset Bush Kit - Polyurethane			1144SK	1
2° Offset Bush Kit - Rubber			1144RK	1
5° Offset Plate Kit			CPLATE003	1
Radius Arm Spacer	15mm		833WT	1
4° Drop Box			DBOX003	1

STEERING RODS

Adjustable Drag Link			ADL005	1
Track Rod			ATR005	1

ADJUSTABLE PANHARD ROD

Right Hand Drive Rod	Pre 2/2000		PANHARD003	1
Left Hand Drive Rod	Pre 2/2000		PANHARD008	1
Right Hand Drive Rod	2/2000+		PANHARD005	1
Left Hand Drive Rod	2/2000+		PANHARD009	1

SWAY BAR LINK

Extended Sway Bar Link	Suits 1-3" Lift		SBEXT006	2
Extended Sway Bar Link	Suits 4-7" Lift		SBEXT003	2

COIL SPACER

Polyurethane 15mm	Provides 10mm Lift		PATF15	2
Polyurethane 30mm	Provides 25mm Lift		PATF30	2

BRAKE HOSE

Extended Brake Hose	Non ABS Models		BHOSE003	1
Extended Brake Hose	ABS models		BHOSE005	2



Y61 GU LWB Wagon

SUSPENSION TO SUIT

Nissan Patrol

Product Description

Part No.

**Qty
Req**

Please check vehicle date range (if shown) next to product description prior to ordering

REAR SUSPENSION

SHOCK ABSORBER

Nitro Gas - Performance			12094GR	2
Foam Cell - Performance			24094FE	2
Foam Cell - Professional			24094FEP	2
Foam Cell - Performance	Suits 4" Lift		24094LFE	2
Foam Cell - Professional	Suits 4" Lift		24094LFEP	2
Foam Cell - Performance	Suits 6" Lift		24094LFE1	2
Foam Cell Pro - Performance			45094FE	2
Foam Cell Pro - Professional			45094FEP	2
Foam Cell Pro - Performance	Suits 4" Lift		45094LFE	2
Foam Cell Pro - Professional	Suits 4" Lift		45094LFEP	2
Foam Cell Pro - Performance	Suits 6" Lift		45094LFE1	2

COIL SPRINGS

	Est. Lift	Additional Load		
Medium	50mm	0 - 200kg	NISS010C	1
Medium - 4" Lift	100mm	0 - 300kg	NISS027B	1
Medium - 6" Lift	150mm	0 - 300kg	NISS044B	1
Heavy	50mm	200 - 400kg	NISS020C	1
Heavy - 4" Lift	100mm	400kg - GVM	NISS027C	1
Heavy - 6" Lift	150mm	400kg - GVM	NISS044C	1
Extra Heavy	50mm	400kg - GVM	NISS020D	1

PANHARD ROD

Adjustable Panhard Rod	Pre 2/2000		PANHARD004	1
Adjustable Panhard Rod	2/2000+		PANHARD006	1

ADJUSTABLE TRAILING ARM

Upper Trailing Arm			UTA003	2
Lower Trailing Arm			LTA003	2

SWAY BAR LINK

Extended Sway Bar Link	Suits 1-3" Lift	Right Side	SBEXT006	1
Extended Sway Bar Link	Suits 4-7" Lift	Right Side	SBEXT003	1
Extended Sway Bar Link	Suits 1-3" Lift	Left Side	SBEXT007	1
Extended Sway Bar Link	Suits 4-7" Lift	Left Side	SBEXT004	1

COIL SPACER

Polyurethane 15mm	Provides 10mm Lift		PATR15	2
Polyurethane 30mm	Provides 25mm Lift		PATR30	2

BRAKE HOSE

Extended Brake Hose			BHOSE004	1
---------------------	--	--	-----------------	---

BRACKET KIT

Coil Drop Out Cone			IDOC003	1
Coil Retainer Kit			ICR003	1

BUSH KIT

Rubber Suspension Arm Bush Kit - Pre 2/2000	W/ Standard Radius Arm Bushes		839RK	1
Rubber Suspension Arm Bush Kit - Pre 2/2000	W/ Offset Radius Arm Bushes		839CRK	1
Rubber Suspension Arm Bush Kit - 2/2000+	W/ Standard Radius Arm Bushes		848RK	1
Rubber Suspension Arm Bush Kit - 2/2000+	W/ Offset Radius Arm Bushes		848CRK	1



Nissan Patrol

Y61 GU LWB Wagon



Product Description

Part No.

Qty
Req

Please check vehicle date range (if shown) next to product description prior to ordering

SUSPENSION KIT - Specify Front Coil Springs When Ordering

Medium - Nitro Gas				NISS024CKG
Medium - Foam Cell				NISS024CKF
Medium - Foam Cell	4"Lift	RHD - Pre 2/2000		NISS026BKF
Medium - Foam Cell	4"Lift	LHD - Pre 2/2000		NISS026BKFL
Medium - Foam Cell	6"Lift	RHD - Pre 2/2000		NISS043BKF
Medium - Foam Cell	6"Lift	LHD - Pre 2/2000		NISS043BKFL
Medium - Foam Cell	4"Lift	RHD - 2/2000+		NISS026BKF1
Medium - Foam Cell	4"Lift	LHD - 2/2000+		NISS026BKF1L
Medium - Foam Cell	6"Lift	RHD - 2/2000+		NISS043BKF1
Medium - Foam Cell	6"Lift	LHD - 2/2000+		NISS043BKF1L
Medium - Foam Cell Pro				NISS024CKP
Medium - Foam Cell Pro	4"Lift	RHD - Pre 2/2000		NISS026BKP
Medium - Foam Cell Pro	4"Lift	LHD - Pre 2/2000		NISS026BKPL
Medium - Foam Cell Pro	6"Lift	RHD - Pre 2/2000		NISS043BKP
Medium - Foam Cell Pro	6"Lift	LHD - Pre 2/2000		NISS043BKPL
Medium - Foam Cell Pro	4"Lift	RHD - 2/2000+		NISS026BKP1
Medium - Foam Cell Pro	4"Lift	LHD - 2/2000+		NISS026BKP1L
Medium - Foam Cell Pro	6"Lift	RHD - 2/2000+		NISS043BKP1
Medium - Foam Cell Pro	6"Lift	LHD - 2/2000+		NISS043BKP1L
Heavy - Nitro Gas				NISS037CKG
Heavy - Foam Cell				NISS037CKF
Heavy - Foam Cell	4"Lift	RHD - Pre 2/2000		NISS026CKF
Heavy - Foam Cell	6"Lift	RHD - Pre 2/2000		NISS043CKF
Heavy - Foam Cell	4"Lift	RHD - 2/2000+		NISS026CKF1
Heavy- Foam Cell	6"Lift	RHD - 2/2000+		NISS043CKF1
Heavy - Foam Cell Pro				NISS037CKP
Heavy - Foam Cell Pro	4"Lift	RHD - Pre 2/2000		NISS026CKP
Heavy- Foam Cell Pro	6"Lift	RHD - Pre 2/2000		NISS043CKP
Heavy - Foam Cell Pro	4"Lift	RHD - 2/2000+		NISS026CKP1
Heavy- Foam Cell Pro	6"Lift	RHD - 2/2000+		NISS043CKP1
Extra Heavy - Nitro Gas				NISS037DKG
Extra Heavy - Foam Cell				NISS037DKF
Extra Heavy - Foam Cell Pro				NISS037DKP

• Specify ABS / non-ABS brake hoses when ordering suspension kits

• 4" and 6" lifts may not be legal for on-road use in your area, certification may be required for on-road use

• Due to the extreme nature of 4" and 6" lifts, further modifications may be required, and will vary between vehicles, such modifications are entirely the owners responsibility

IRONMAN 4X4 accept no responsibility for any damage or injury caused by use of the these products

50MM SUSPENSION KIT CONTENTS

Shock Absorbers Coil Springs

4" AND 6" SUSPENSION KIT CONTENTS

Shock Absorbers Caster Plates
 Coil Springs Brake Hoses
 Panhard Rods Adjustable Trailing Arms
 Sway Bar Links



Y60 GQ / Y61 GU
Cab Chassis (Coil/Coil)

SUSPENSION TO SUIT

Nissan Patrol

Product Description

Part No.

Qty
Req

Please check vehicle date range (if shown) next to product description prior to ordering

SUSPENSION TO SUIT NISSAN PATROL Y60 / Y61 - COIL/COIL

FRONT SUSPENSION

SHOCK ABSORBER

Nitro Gas - Performance			12091GR	2
Foam Cell - Performance			24091FE	2
Foam Cell - Professional			24091FEP	2
Foam Cell - Performance		Suits 4" Lift	24091LFE	2
Foam Cell - Performance		Suits 6" Lift	24091LFE1	2
Foam Cell Pro - Performance			45091FE	2
Foam Cell Pro - Professional			45091FEP	2
Foam Cell Pro - Performance		Suits 4" Lift	45091LFE	2
Foam Cell Pro - Professional		Suits 4" Lift	45091LFE1	2
Foam Cell Pro - Performance		Suits 6" Lift	45091LFE1	2

COIL SPRINGS

	Est. Lift	Additional Load		
Medium	50mm	0 - 50kg	NISS024B	1
Heavy	50mm	50 - 110kg	NISS009C	1
Medium - 4" Lift	100mm	0 - 100kg	NISS026B	1
Medium - 6" Lift	150mm	0 - 100kg	NISS043B	1

STEERING DAMPER

Foam Cell			3511	1
-----------	--	--	-------------	---

CASTER CORRECTION

2° Offset Bush Kit - Polyurethane			1144SK	1
2° Offset Bush Kit - Rubber			1144RK	1
5° Offset Plate Kit			CPLATE003	1
Radius Arm Spacer		15mm	833WT	1
4° Drop Box			DBOX003	1

STEERING RODS

Adjustable Drag Link			ADL003	1
Track Rod			ATRO03	1

ADJUSTABLE PANHARD ROD

Right Hand Drive Rod			PANHARD003	1
Left Hand Drive Rod			PANHARD008	1

SWAY BAR LINK

Extended Sway Bar Link		Suits 1-3"Lift	SBEXT006	2
Extended Sway Bar Link		Suits 4-7"Lift	SBEXT003	2

COIL SPACER

Polyurethane 15mm		Provides 10mm Lift	PATF15	2
Polyurethane 30mm		Provides 25mm Lift	PATF30	2

BRAKE HOSE

Extended Brake Hose		Non ABS Models	BHOSE003	1
Extended Brake Hose		ABS models	BHOSE005	2



Nissan Patrol

Y60 GQ / Y61 GU
Cab Chassis (Coil/Coil)

Product Description

Part No.

Qty
Req

Please check vehicle date range (if shown) next to product description prior to ordering

REAR SUSPENSION

SHOCK ABSORBER

Nitro Gas - Performance			12094GR	2
Foam Cell - Performance			24094FE	2
Foam Cell - Professional			24094FEP	2
Foam Cell - Performance	Suits 4" Lift		24094LFE	2
Foam Cell - Professional	Suits 4" Lift		24094LFEP	2
Foam Cell - Performance	Suits 6" Lift		24094LFE1	2
Foam Cell Pro - Performance			45094FE	2
Foam Cell Pro - Professional			45094FEP	2
Foam Cell Pro - Performance	Suits 4" Lift		45094LFE	2
Foam Cell Pro - Professional	Suits 4" Lift		45094LFEP	2
Foam Cell Pro - Performance	Suits 6" Lift		45094LFE1	2

COIL SPRINGS

	Est. Lift	Additional Load		
Medium	50mm	0 - 300kg	NISS020B	1
Medium - 4" Lift	100mm	0 - 300kg	NISS027B	1
Medium - 6" Lift	150mm	0 - 300kg	NISS044B	1
Heavy	50mm	300 - 400kg	NISS020C	1
Heavy - 4" Lift	100mm	400kg - GVM	NISS027C	1
Heavy - 6" Lift	150mm	400kg - GVM	NISS044C	1
Extra Heavy	50mm	400kg - GVM	NISS020D	1

PANHARD ROD

Adjustable Panhard Rod			PANHARD004	1
------------------------	--	--	-------------------	---

ADJUSTABLE TRAILING ARM

Upper Trailing Arm			UTA003	2
Lower Trailing Arm			LTA003	2

SWAY BAR LINK

Extended Sway Bar Link	Suits 1-3" Lift	Right Side	SBEXT006	1
Extended Sway Bar Link	Suits 4-7" Lift	Right Side	SBEXT003	1
Extended Sway Bar Link	Suits 1-3" Lift	Left Side	SBEXT007	1
Extended Sway Bar Link	Suits 4-7" Lift	Left Side	SBEXT004	1

COIL SPACER

Polyurethane 15mm	Provides 10mm Lift		PATR15	2
Polyurethane 30mm	Provides 25mm Lift		PATR30	2

BRAKE HOSE

Extended Brake Hose			BHOSE004	1
---------------------	--	--	-----------------	---

BRACKET KIT

Coil Drop Out Cone			IDOC003	1
Coil Retainer Kit			ICR003	1

BUSH KIT

Rubber Suspension Arm Bush Kit	W/ Standard Radius Arm Bushes		839RK	1
Rubber Suspension Arm Bush Kit	W/ Offset Radius Arm Bushes		839CRK	1



Y60 GQ / Y61 GU
Cab Chassis (Coil/Coil)

SUSPENSION TO SUIT

Nissan Patrol

Product Description

Part No.

Qty
Req

Please check vehicle date range (if shown) next to product description prior to ordering

SUSPENSION KIT - Specify Front Coil Springs When Ordering

Medium - Nitro Gas			NISS037BKG
Medium - Foam Cell			NISS037BKF
Medium - Foam Cell	4"Lift	RHD	NISS026BKF
Medium - Foam Cell	4"Lift	LHD	NISS026BKFL
Medium - Foam Cell	6"Lift	RHD	NISS043BKF
Medium - Foam Cell	6"Lift	LHD	NISS043BKFL
Medium - Foam Cell Pro			NISS037BKP
Medium - Foam Cell Pro	4"Lift	RHD	NISS026BKP
Medium - Foam Cell Pro	4"Lift	LHD	NISS026BKPL
Medium - Foam Cell Pro	6"Lift	RHD	NISS043BKP
Medium - Foam Cell Pro	6"Lift	LHD	NISS043BKPL
Heavy - Nitro Gas			NISS037CKG
Heavy - Foam Cell			NISS037CKF
Heavy - Foam Cell	4"Lift	RHD	NISS026CKF
Heavy - Foam Cell	4"Lift	LHD	NISS026CKFL
Heavy - Foam Cell	6"Lift	RHD	NISS043CKF
Heavy - Foam Cell	6"Lift	LHD	NISS043CKFL
Heavy - Foam Cell Pro			NISS037CKP
Heavy - Foam Cell Pro	4"Lift	RHD	NISS026CKP
Heavy - Foam Cell Pro	4"Lift	LHD	NISS026CKPL
Heavy - Foam Cell Pro	6"Lift	RHD	NISS043CKP
Heavy - Foam Cell Pro	6"Lift	LHD	NISS043CKPL
Extra Heavy - Nitro Gas			NISS037DKG
Extra Heavy - Foam Cell			NISS037DKF
Extra Heavy - Foam Cell Pro			NISS037DKP

• Specify ABS / non-ABS brake hoses when ordering suspension kits

• 4" and 6" lifts may not be legal for on-road use in your area, certification may be required for on-road use

• Due to the extreme nature of 4" and 6" lifts, further modifications may be required, and will vary between vehicles

Such modifications are entirely the owners responsibility. IRONMAN 4X4 accept no responsibility for any damage or injury caused by use of these products

50MM SUSPENSION KIT CONTENTS

Shock Absorbers Coil Springs

4" AND 6" SUSPENSION KIT CONTENTS

Shock Absorbers Caster Plates
Coil Springs Brake Hoses
Panhard Rods Adjustable Trailing Arms
Sway Bar Links

Nissan Patrol

Y60 GQ / Y61 GU
Cab Chassis (Coil/Leaf)



Product Description

Part No.

Qty
Req

Please check vehicle date range (if shown) next to product description prior to ordering

SUSPENSION TO SUIT NISSAN PATROL Y60 / Y61 - COIL/LEAF

FRONT SUSPENSION

SHOCK ABSORBER

Nitro Gas - Performance			12091GR	2
Foam Cell - Performance			24091FE	2
Foam Cell Pro - Performance			45091FE	2
Foam Cell Pro - Professional			45091FEP	2

COIL SPRINGS

	Est. Lift	Additional Load		
Medium	50mm	0 - 50kg	NISS024B	1
Heavy	50mm	50 - 110kg	NISS009C	1

STEERING DAMPER

Foam Cell			3511	1
-----------	--	--	------	---

CASTER CORRECTION

2° Offset Bush Kit - Polyurethane			1144SK	1
2° Offset Bush Kit - Rubber			1144RK	1
5° Offset Plate Kit			CPLATE003	1
Radius Arm Spacer	15mm		833WT	1
4° Drop Box			DBOX003	1

CROSSMEMBER SPACER

6mm / 12mm Spacer Kit			1002K	1
-----------------------	--	--	-------	---

STEERING RODS

Adjustable Drag Link			ADL003	1
Track Rod			ATR003	1

ADJUSTABLE PANHARD ROD

Right Hand Drive Rod			PANHARD003	1
Left Hand Drive Rod			PANHARD008	1

SWAY BAR LINK

Extended Sway Bar Link	Suits 1-3" Lift		SBEXT006	2
------------------------	-----------------	--	----------	---

COIL SPACER

Polyurethane 15mm	Provides 10mm Lift		PATF15	2
Polyurethane 30mm	Provides 25mm Lift		PATF30	2

BRAKE HOSE

Extended Brake Hose			BHOSE003	1
---------------------	--	--	----------	---

REAR SUSPENSION

SHOCK ABSORBER

Nitro Gas - Performance			12648GR	2
Foam Cell - Performance			24648FE	2
Foam Cell Pro - Performance			45648FE	2

LEAF SPRINGS

	Est. Lift	Additional Load		
Heavy - Drivers Side	50mm	0 - 400kg	NISS012CD/S	1
Heavy - Near Side	50mm	0 - 400kg	NISS012CN/S	1
Extra Heavy - Drivers Side	50mm	400kg - GVM	NISS012DD/S	1
Extra Heavy - Near Side	50mm	400kg - GVM	NISS012DN/S	1

U-BOLTS

U-Bolt Kit			1100UBK	2
U-Bolt Kit	Suits NISS012D		1100UBKL	2

POLYURETHANE SPRING BUSHES

Bush Kit			719UK	1
----------	--	--	-------	---

GREASABLE SHACKLES AND PINS

Greasable Shackle	Left Hand Side		353LH	1
Greasable Shackle	Right Hand Side		353RH	1
Greasable Pin			667	2

HELPER SPRINGS

Load Plus Helper Springs			LP4	1
--------------------------	--	--	-----	---

SUSPENSION KIT - Specify Front Coil Springs When Ordering

Heavy - Nitro Gas	NISS036CKG
Heavy - Foam Cell	NISS036CKF
Heavy - Foam Cell Pro	NISS036CKP
Extra Heavy - Nitro Gas	NISS036DKG
Extra Heavy - Foam Cell	NISS036DKF
Extra Heavy - Foam Cell Pro	NISS036DKP

SUSPENSION KIT CONTENTS

Shock Absorbers	Leaf Springs	Polyurethane Spring Bushes
Coil Springs	U-Bolts	



Y60 GQ Station Wagon and Coil Cab
1987 to 1997

Nissan Patrol

Product Description

Part No.

Qty
Req

Please check vehicle date range (if shown) next to product description prior to ordering

ACCESSORIES TO SUIT NISSAN PATROL Y60 - 1987-1997

STEEL WINCH BULL BARS

Deluxe Bull Bar

BBCD010

SNORKEL

All Models Except 2.8L Diesel

ISNORKEL011

STEEL ROOF RACKS

Cage Style - 1.4m x 1.25m

IRRCAGE14

Rooftop Tent Compatible - 1.8m x 1.25m

IRRTENT18

Rooftop Tent Compatible - 2.2m x 1.25m

IRRTENT22

Trade Style - 2.2m x 1.25m (Open end)

IRRTRADE22

ALLOY ROOF RACKS

Cage Style - 1.8m x 1.25m

IRRCAGE18-ALLOY

Cage Style - 2.2m x 1.25m

IRRCAGE22-ALLOY

Trade Style - 1.4m x 1.25m (Open end)

IRROPEN14-ALLOY

Trade Style - 1.8m x 1.25m (Open end)

IRRTRADE18-ALLOY

Trade Style - 2.2m x 1.25m (Open end)

IRRTRADE22-ALLOY

Flat Rack - 1.8m x 1.25m

IRRTFLAT18-ALLOY

BREATHER KIT

Universal Twin Manifold Filtered Breather Kit

IDIFFBRE

Nissan Patrol

Y60 GQ Cab Chassis (Leaf/Leaf)
1988+



Product Description

Part No.

Qty
Req

Please check vehicle date range (if shown) next to product description prior to ordering

SUSPENSION TO SUIT NISSAN PATROL Y60 - 1988+

FRONT SUSPENSION

SHOCK ABSORBER

Nitro Gas - Performance			12661GR	2
Foam Cell - Performance			24661FE	2
Foam Cell Pro - Performance			45661FE	2

LEAF SPRINGS

	Est. Lift	Additional Load		
Heavy - Drivers Side	50mm	0 - 110kg	NISS011CD/S	1
Heavy - Near Side	50mm	0 - 110kg	NISS011CN/S	1

STEERING DAMPER

Foam Cell			3522	1
-----------	--	--	-------------	---

U-BOLTS

Drivers Side U-Bolt Kit			669UBK	1
Near Side U-Bolt Kit			436UBK	1

POLYURETHANE SPRING BUSHES

Bush Kit			718UK	1
----------	--	--	--------------	---

GREASABLE SHACKLES AND PINS

Greasable Shackle	Left Hand Side		353RH	1
Greasable Shackle	Right Hand Side		353LH	1
Greasable Pin			667	2

REAR SUSPENSION

SHOCK ABSORBER

Nitro Gas - Performance			12648GR	2
Foam Cell - Performance			24648FE	2
Foam Cell Pro - Performance			45648FE	2

LEAF SPRINGS

	Est. Lift	Additional Load		
Heavy - Drivers Side	50mm	0 - 400kg	NISS012CD/S	1
Heavy - Near Side	50mm	0 - 400kg	NISS012CN/S	1
Extra Heavy - Drivers Side	50mm	400kg - GVM	NISS012DD/S	1
Extra Heavy - Near Side	50mm	400kg - GVM	NISS012DN/S	1

U-BOLTS

U-Bolt Kit			670UBK	2
------------	--	--	---------------	---

POLYURETHANE SPRING BUSHES

Bush Kit			719UK	1
----------	--	--	--------------	---

GREASABLE SHACKLES AND PINS

Greasable Shackle	Left Hand Side		353LH	1
Greasable Shackle	Right Hand Side		353RH	1
Greasable Pin			667	2

HELPER SPRINGS

Load Plus Helper Springs			LP4	1
--------------------------	--	--	------------	---

SUSPENSION KIT

Heavy - Nitro Gas	NISS011CKG
Heavy - Foam Cell	NISS011CKF
Heavy - Foam Cell Pro	NISS011CKP
Extra Heavy - Nitro Gas	NISS011DKG
Extra Heavy - Foam Cell	NISS011DKF
Extra Heavy - Foam Cell Pro	NISS011DKP

SUSPENSION KIT CONTENTS

Shock Absorbers	U-Bolts
Leaf Springs	Polyurethane Spring Bushes



Y60 GQ LWB Wagon
1988 to 1998

Nissan Patrol

Product Description

Part No.

Qty
Req

Please check vehicle date range (if shown) next to product description prior to ordering

SUSPENSION TO SUIT NISSAN PATROL Y60 - 1988-1998

FRONT SUSPENSION

SHOCK ABSORBER

Nitro Gas - Performance			12091GR	2
Foam Cell - Performance			24091FE	2
Foam Cell - Professional			24091FEP	2
Foam Cell - Performance		Suits 4" Lift	24091LFE	2
Foam Cell - Performance		Suits 6" Lift	24091LFE1	2
Foam Cell Pro - Performance			45091FE	2
Foam Cell Pro - Professional			45091FEP	2
Foam Cell Pro - Performance		Suits 4" Lift	45091LFE	2
Foam Cell Pro - Professional		Suits 4" Lift	45091LFEP	2
Foam Cell Pro - Performance		Suits 6" Lift	45091LFE1	2

COIL SPRINGS

	Est. Lift	Additional Load		
Medium	50mm	0 - 50kg	NISS009B	1
Heavy	50mm	50 - 110kg	NISS009C	1
Medium - 4" Lift	100mm	0 - 100kg	NISS026B	1
Medium - 6" Lift	150mm	0 - 100kg	NISS043B	1

STEERING DAMPER

Foam Cell	Pre 8/1989	3534	1
Foam Cell	8/1989+	3536	1

CASTER CORRECTION

2° Offset Bush Kit - Polyurethane		1144SK	1
2° Offset Bush Kit - Rubber		1144RK	1
5° Offset Plate Kit		CPLATE003	1
Radius Arm Spacer	15mm	833WT	1
4° Drop Box		DBOX003	1

CROSSMEMBER SPACER

6mm / 12mm Spacer Kit		1002K	1
-----------------------	--	--------------	---

STEERING RODS

Adjustable Drag Link		ADL003	1
Track Rod		ATRO03	1

ADJUSTABLE PANHARD ROD

Right Hand Drive Rod		PANHARD003	1
Left Hand Drive Rod		PANHARD008	1

SWAY BAR LINK

Extended Sway Bar Link	Suits 1-3"Lift	SBEXT006	2
Extended Sway Bar Link	Suits 4-7"Lift	SBEXT003	2

COIL SPACER

Polyurethane 15mm	Provides 10mm Lift	PATF15	2
Polyurethane 30mm	Provides 25mm Lift	PATF30	2

BRAKE HOSE

Extended Brake Hose		BHOSE003	1
---------------------	--	-----------------	---

REAR SUSPENSION

SHOCK ABSORBER

Nitro Gas - Performance		12094GR	2
Foam Cell - Performance		24094FE	2
Foam Cell - Professional		24094FEP	2
Foam Cell - Performance	Suits 4" Lift	24094LFE	2
Foam Cell - Professional	Suits 4" Lift	24094LFEP	2
Foam Cell - Performance	Suits 6" Lift	24094LFE1	2
Foam Cell Pro - Performance		45094FE	2
Foam Cell Pro - Professional		45094FEP	2
Foam Cell Pro - Performance	Suits 4" Lift	45094LFE	2
Foam Cell Pro - Professional	Suits 4" Lift	45094LFEP	2
Foam Cell Pro - Performance	Suits 6" Lift	45094LFE1	2



Nissan Patrol

Y60 GQ LWB Wagon
1988 to 1998



Product Description

Part No.

Qty Req

Please check vehicle date range (if shown) next to product description prior to ordering

COIL SPRINGS	Est. Lift	Additional Load		
Medium	50mm	0 - 200kg	NISS010B	1
Medium - 4" Lift	100mm	0 - 300kg	NISS027B	1
Medium - 6" Lift	150mm	0 - 300kg	NISS044B	1
Heavy	50mm	200 - 400kg	NISS010C	1
Heavy	50mm	400 - 600kg	NISS020C	1
Heavy - 4" Lift	100mm	400kg - GVM	NISS027C	1
Heavy - 6" Lift	150mm	400kg - GVM	NISS044C	1
Extra Heavy	50mm	600kg - GVM	NISS020D	1
PANHARD ROD				
Adjustable Panhard Rod			PANHARD004	1
ADJUSTABLE TRAILING ARM				
Upper Trailing Arm			UTA003	2
Lower Trailing Arm			LTA003	2
SWAY BAR LINK				
Extended Sway Bar Link	Suits 1-3" Lift		SBEXT006	2
Extended Sway Bar Link	Suits 4-7" Lift		SBEXT003	2
COIL SPACER				
Polyurethane 15mm	Provides 10mm Lift		PATR15	2
Polyurethane 30mm	Provides 25mm Lift		PATR30	2
BRAKE HOSE				
Extended Brake Hose			BHOSE004	1
BRACKET KIT				
Coil Drop Out Cone			IDOC003	1
Coil Retainer Kit			ICR003	1
BUSH KIT				
Rubber Suspension Arm Bush Kit	W/ Standard Radius Arm Bushes		839RK	1
Rubber Suspension Arm Bush Kit	W/ Offset Radius Arm Bushes		839CRK	1

SUSPENSION KIT - Specify Front Coil Springs When Ordering

Medium - Nitro Gas			NISS009BKG	
Medium - Foam Cell			NISS009BKF	
Medium - Foam Cell	4" Lift	RHD	NISS026BKF	
Medium - Foam Cell	4" Lift	LHD	NISS026BKFL	
Medium - Foam Cell	6" Lift	RHD	NISS043BKF	
Medium - Foam Cell	6" Lift	LHD	NISS043BKFL	
Medium - Foam Cell Pro			NISS009BKP	
Medium - Foam Cell Pro	4" Lift	RHD	NISS026BKP	
Medium - Foam Cell Pro	4" Lift	LHD	NISS026BKPL	
Medium - Foam Cell Pro	6" Lift	RHD	NISS043BKP	
Medium - Foam Cell Pro	6" Lift	LHD	NISS043BKPL	
Heavy - Nitro Gas			NISS009CKG	
Heavy - Foam Cell			NISS009CKF	
Heavy - Foam Cell	4" Lift	RHD	NISS026CKF	
Heavy - Foam Cell	4" Lift	LHD	NISS026CKFL	
Heavy - Foam Cell	6" Lift	RHD	NISS043CKF	
Heavy - Foam Cell	6" Lift	LHD	NISS043CKFL	
Heavy - Foam Cell Pro			NISS009CKP	
Heavy - Foam Cell Pro	4" Lift	RHD	NISS026CKP	
Heavy - Foam Cell Pro	4" Lift	LHD	NISS026CKPL	
Heavy - Foam Cell Pro	6" Lift	RHD	NISS043CKP	
Heavy - Foam Cell Pro	6" Lift	LHD	NISS043CKPL	
Extra Heavy - Nitro Gas			NISS020CKG	
Extra Heavy - Foam Cell			NISS020CKF	
Extra Heavy - Foam Cell Pro			NISS020CKP	
Super Heavy - Nitro Gas			NISS024DKG	
Super Heavy - Foam Cell			NISS024DKF	
Super Heavy - Foam Cell Pro			NISS024DKP	

• 4" and 6" lifts may not be legal for on-road use in your area, certification may be required for on-road use

• Due to the extreme nature of 4" and 6" lifts, further modifications may be required, and will vary between vehicles

Such modifications are entirely the owners responsibility. IRONMAN 4X4 accept no responsibility for any damage or injury caused by use of the these products

50MM SUSPENSION KIT CONTENTS

Shock Absorbers Coil Springs

4" AND 6" SUSPENSION KIT CONTENTS

Shock Absorbers
Coil Springs
Panhard Rods
Sway Bar Links
Caster Plates
Brake Hoses
Adjustable Trailing Arms



Y60 GQ SWB Wagon
1988 to 1998

Nissan Patrol

Product Description

Part No.

Qty
Req

Please check vehicle date range (if shown) next to product description prior to ordering

SUSPENSION TO SUIT NISSAN PATROL Y60 - 1988-1998

FRONT SUSPENSION

SHOCK ABSORBER

Nitro Gas - Performance			12091GR	2
Foam Cell - Performance			24091FE	2
Foam Cell - Professional			24091FEP	2
Foam Cell - Performance		Suits 5" Lift	24091LFE	2
Foam Cell - Performance		Suits 7" Lift	24091LFE1	2
Foam Cell Pro - Performance			45091FE	2
Foam Cell Pro - Professional			45091FEP	2
Foam Cell Pro - Performance		Suits 5" Lift	45091LFE	2
Foam Cell Pro - Professional		Suits 5" Lift	45091LFEP	2
Foam Cell Pro - Performance		Suits 7" Lift	45091LFE1	2

COIL SPRINGS

	Est. Lift	Additional Load		
Medium	50mm	0 - 50kg	NISS007B	1
Medium - 5" Lift	125mm	0 - 100kg	NISS026B	1
Medium - 7" Lift	175mm	0 - 100kg	NISS043B	1
Heavy	50mm	50 - 110kg	NISS009B	1

STEERING DAMPER

Foam Cell	Pre 8/1989	3534	1
Foam Cell	8/1989+	3536	1

CASTER CORRECTION

2° Offset Bush Kit - Polyurethane		1144SK	1
2° Offset Bush Kit - Rubber		1144RK	1
5° Offset Plate Kit		CPLATE003	1
Radius Arm Spacer	15mm	833WT	1
4° Drop Box		DBOX003	1

CROSSMEMBER SPACER

6mm / 12mm Spacer Kit		1002K	1
-----------------------	--	--------------	---

STEERING RODS

Adjustable Drag Link		ADL003	1
Track Rod		ATRO03	1

ADJUSTABLE PANHARD ROD

Right Hand Drive Rod		PANHARD003	1
Left Hand Drive Rod		PANHARD008	1

SWAY BAR LINK

Extended Sway Bar Link	Suits 1-3" Lift	SBEXT006	2
Extended Sway Bar Link	Suits 4-7" Lift	SBEXT003	2

COIL SPACER

Polyurethane 15mm	Provides 10mm Lift	PATF15	2
Polyurethane 30mm	Provides 25mm Lift	PATF30	2

BRAKE HOSE

Extended Brake Hose		BHOSE003	1
---------------------	--	-----------------	---



Nissan Patrol

Y60 GQ SWB Wagon
1988 to 1998



Product Description

Part No.

Qty
Req

Please check vehicle date range (if shown) next to product description prior to ordering

REAR SUSPENSION

SHOCK ABSORBER

Nitro Gas - Performance			12094GR	2
Foam Cell - Performance			24094FE	2
Foam Cell - Professional			24094FEP	2
Foam Cell - Performance	Suits 5" Lift		24094LFE	2
Foam Cell - Professional	Suits 5" Lift		24094LFEP	2
Foam Cell - Performance	Suits 7" Lift		24094LFE1	2
Foam Cell Pro - Performance			45094FE	2
Foam Cell Pro - Professional			45094FEP	2
Foam Cell Pro - Performance	Suits 5" Lift		45094LFE	2
Foam Cell Pro - Professional	Suits 5" Lift		45094LFEP	2
Foam Cell Pro - Performance	Suits 7" Lift		45094LFE1	2

COIL SPRINGS

	Est. Lift	Additional Load		
Medium	50mm	0 - 200kg	NISS008B	1
Medium - 5" Lift	125mm	0 - 300kg	NISS027B	1
Medium - 7" Lift	175mm	0 - 300kg	NISS044B	1
Heavy	50mm	200 - 400kg	NISS010B	1
Extra Heavy	55mm	400kg - GVM	NISS010C	1

PANHARD ROD

Adjustable Panhard Rod			PANHARD004	1
------------------------	--	--	-------------------	---

ADJUSTABLE TRAILING ARM

Upper Trailing Arm			UTA003	2
Lower Trailing Arm			LTA003	2

SWAY BAR LINK

Extended Sway Bar Link	Suits 1-3" Lift		SBEXT006	2
Extended Sway Bar Link	Suits 4-7" Lift		SBEXT003	2

COIL SPACER

Polyurethane 15mm	Provides 10mm Lift		PATR15	2
Polyurethane 30mm	Provides 25mm Lift		PATR30	2

BRAKE HOSE

Extended Brake Hose			BHOSE004	1
---------------------	--	--	-----------------	---

BRACKET KIT

Coil Drop Out Cone			IDOC003	1
Coil Retainer Kit			ICR003	1

BUSH KIT

Rubber Suspension Arm Bush Kit	W/ Standard Radius Arm Bushes		839RK	1
Rubber Suspension Arm Bush Kit	W/ Offset Radius Arm Bushes		839CRK	1

SUSPENSION KIT - Specify Front Coil Springs When Ordering

Medium - Nitro Gas			NISS007BKG
Medium - Foam Cell			NISS007BKF
Medium - Foam Cell	5" Lift	RHD	NISS026BKF
Medium - Foam Cell	5" Lift	LHD	NISS026BKFL
Medium - Foam Cell	7" Lift	RHD	NISS043BKF
Medium - Foam Cell	7" Lift	LHD	NISS043BKFL
Medium - Foam Cell Pro			NISS007BKP
Medium - Foam Cell Pro	5" Lift	RHD	NISS026BKP
Medium - Foam Cell Pro	5" Lift	LHD	NISS026BKPL
Medium - Foam Cell Pro	7" Lift	RHD	NISS043BKP
Medium - Foam Cell Pro	7" Lift	LHD	NISS043BKPL
Heavy - Nitro Gas			NISS009BKG
Heavy - Foam Cell			NISS009BKF
Heavy - Foam Cell Pro			NISS009BKP
Extra Heavy - Nitro Gas			NISS009BKG1
Extra Heavy - Foam Cell			NISS009BKF1
Extra Heavy - Foam Cell Pro			NISS009BKP1

• 5" and 7" lifts may not be legal for on-road use in your area, certification may be required for on-road use

• Due to the extreme nature of 5" and 7" lifts, further modifications may be required, and will vary between vehicles

Such modifications are entirely the owners responsibility. IRONMAN 4X4 accept no responsibility for any damage or injury caused by use of the these products

50MM SUSPENSION KIT CONTENTS

Shock Absorbers Coil Springs

4" AND 6" SUSPENSION KIT CONTENTS

Shock Absorbers Caster Plates
Coil Springs Brake Hoses
Panhard Rods Adjustable Trailing Arms
Sway Bar Links



MK G160 (Rectangle Headlights)
1984+

SUSPENSION TO SUIT

Nissan Patrol

Product Description

Part No.

Qty
Req

Please check vehicle date range (if shown) next to product description prior to ordering

SUSPENSION TO SUIT NISSAN PATROL MK - 1984+

FRONT SUSPENSION

SHOCK ABSORBER

Nitro Gas - Performance			12075GR	2
-------------------------	--	--	----------------	---

LEAF SPRINGS

	Est. Lift	Additional Load		
Medium - Drivers Side (Petrol)	45mm	0 - 50kg	NISS005BD/S	1
Medium - Near Side (Petrol)	45mm	0 - 50kg	NISS005BN/S	1

STEERING DAMPER

Foam Cell			3522	1
-----------	--	--	-------------	---

U-BOLTS

U-Bolt Kit		Drivers side	452UBK	1
U-Bolt Kit		Near side	451UBK	1

POLYURETHANE SPRING BUSHES

Bush Kit			724UK	1
----------	--	--	--------------	---

GREASABLE SHACKLES AND PINS

Greasable Shackle		Stepped Side Plates	665	2
Greasable Pin			470	2

REAR SUSPENSION

SHOCK ABSORBER

Nitro Gas - Performance			12076GR	2
-------------------------	--	--	----------------	---

LEAF SPRINGS

	Est. Lift	Additional Load		
Medium - Drivers Side	45mm	0 - 200kg	NISS004BD/S	1
Medium - Near Side	45mm	0 - 200kg	NISS004BN/S	1

U-BOLTS

U-Bolt Kit			453UBK	2
------------	--	--	---------------	---

POLYURETHANE SPRING BUSHES

Bush Kit			722UK	1
----------	--	--	--------------	---

GREASABLE SHACKLES AND PINS

Greasable Shackle			664	2
Greasable Pin			470	2

HELPER SPRINGS

Load Plus Helper Springs			LP3	1
Add-A-Leaf			ISL6010	1

SUSPENSION KIT

Medium - Nitro Gas			NISS005BKG	
--------------------	--	--	-------------------	--

SUSPENSION KIT CONTENTS

Shock Absorbers	U-Bolts
Leaf Springs	Polyurethane Spring Bushes

Nissan Patrol

MQ G160 (Round Headlights)
Pre 1984

Product Description

Part No.

Qty
Req

Please check vehicle date range (if shown) next to product description prior to ordering

SUSPENSION TO SUIT NISSAN PATROL MQ - PRE 1984

FRONT SUSPENSION

SHOCK ABSORBER

Nitro Gas - Performance			12075GR	2
-------------------------	--	--	----------------	---

LEAF SPRINGS

	Est. Lift	Additional Load		
Medium - Drivers Side (Petrol)	45mm	0 - 50kg	NISS003BD/S	1
Medium - Near Side (Petrol)	45mm	0 - 50kg	NISS003BN/S	1

STEERING DAMPER

Foam Cell			3522	1
-----------	--	--	-------------	---

U-BOLTS

U-Bolt Kit		Drivers side	452UBK	1
U-Bolt Kit		Near side	451UBK	1

STEEL SPRING BUSHES

Bush Kit			721UK	1
----------	--	--	--------------	---

GREASABLE SHACKLES AND PINS

Greasable Shackle		Straight Side Plates	355K	2
Greasable Pin			470	2

REAR SUSPENSION

SHOCK ABSORBER

Nitro Gas - Performance			12076GR	2
-------------------------	--	--	----------------	---

LEAF SPRINGS

	Est. Lift	Additional Load		
Medium - Drivers Side	45mm	0 - 200kg	NISS004BD/S	1
Medium - Near Side	45mm	0 - 200kg	NISS004BN/S	1

U-BOLTS

U-Bolt Kit			453UBK	2
------------	--	--	---------------	---

POLYURETHANE SPRING BUSHES

Bush Kit			722UK	1
----------	--	--	--------------	---

GREASABLE SHACKLES AND PINS

Greasable Shackle			664	2
Greasable Pin			470	2

HELPER SPRINGS

Load Plus Helper Springs			LP3	1
Add-A-Leaf			ISL6010	1

SUSPENSION KIT

Medium - Nitro Gas			NISS003BKG	
--------------------	--	--	-------------------	--

SUSPENSION KIT CONTENTS

Shock Absorbers	U-Bolts
Leaf Springs	Polyurethane Spring Bushes

Nissan Xterra



2005+

Product Description

Part No.

Qty
Req

Please check vehicle date range (if shown) next to product description prior to ordering

SUSPENSION TO SUIT NISSAN XTERRA - 2005+

FRONT SUSPENSION

SHOCK ABSORBER

Nitro Gas Strut - Performance			12716GR	2
Foam Cell Strut - Performance			24716FE	2
Foam Cell Pro Strut - Performance			45716FE	2
Foam Cell Pro Strut - Performance - Long Travel* (SEE NOTE)			45716LFE *	2

*NOTE: MANDATORY FITMENT of IRONMAN 4X4 UCA048FA is required with Long Travel - Foam Cell Pro

• Foam Cell Pro contains a single adjusting ring for driveshaft clearance

COIL SPRINGS

	Est. Lift	Additional Load		
Medium	35mm	0 - 50kg	NISS040B	1
Heavy	35mm	50 - 110kg	NISS040C	1

STRUT MOUNTS

Steel Strut Top			ISST007	2
-----------------	--	--	----------------	---

TRIM PACKERS

5mm Strut Trim Packer	Nitro Gas / Foam Cell	HILFR05/HILFR05F	2
10mm Strut Trim Packer	Nitro Gas / Foam Cell	HILFR10/HILFR10F	2
15mm Strut Trim Packer	Nitro Gas / Foam Cell	HILFR15/HILFR15F	2

• ONLY Compatible with IRONMAN 4X4 Struts (Except Pro), lift height subject to 2:1 motion ratio. Unnecessary fitment may lift vehicle too high

CONTROL ARMS

Pro-Forge Upper Control Arms			UCA048FA-B	1
------------------------------	--	--	-------------------	---

REAR SUSPENSION

SHOCK ABSORBER

Nitro Gas - Performance			12717GR	2
Foam Cell - Performance			24717FE	2
Foam Cell - Professional			24717FEP	2
Foam Cell Pro - Performance			45717FE	2
Foam Cell Pro - Professional			45717FEP	2

LEAF SPRINGS

	Est. Lift	Additional Load		
Medium	45mm	0 - 300kg	NISS047B	2

U-BOLTS

U-Bolt Kit			416UBK	2
------------	--	--	---------------	---

POLYURETHANE SPRING BUSHES

Bush Kit			769UK	1
----------	--	--	--------------	---

GREASABLE SHACKLES AND PINS

Greasable Shackle			797-1	2
-------------------	--	--	--------------	---

HELPER SPRINGS

Load Plus Helper Springs			LP2	1
Add-A-Leaf			ISL6010	1

SUSPENSION KIT - Specify Front Coil Springs When Ordering

Medium - Nitro Gas	NISS047BKG
Medium - Foam Cell	NISS047BKF
Medium - Foam Cell Pro	NISS047BKP

SUSPENSION KIT CONTENTS

Shock Absorbers	Coil Springs	Polyurethane Spring Bushes
Leaf Springs	U-Bolts	

Nissan X-Trail

T30
2001 to 9/2007



Product Description

Part No.

Qty
Req

Please check vehicle date range (if shown) next to product description prior to ordering

SUSPENSION TO SUIT NISSAN X-TRAIL T30 - 2001-9/2007

FRONT SUSPENSION

COIL SPRINGS	Est. Lift	Additional Load	Part No.	Qty Req
Medium	35mm	0 - 50kg	NISS038B	1
CAMBER CORRECTION				
Camber Bolt Kit			ICAMBER12	1

REAR SUSPENSION

COIL SPRINGS	Est. Lift	Additional Load	Part No.	Qty Req
Medium	35mm	0 - 200kg	NISS039B	1

DT
6/2018+

Product Description

Part No.

Qty
Req

Please check vehicle date range (if shown) next to product description prior to ordering

ACCESSORIES TO SUIT RAM 1500 DT - 6/2018+

STEEL WINCH BULL BARS

Apex Bull Bar - 60.3mm Tube	BBP085C	
Apex Bull Bar Kit* - 60.3mm Tube	BBP085CK	
Apex Single Loop Bull Bar - 60.3mm Tube	BBP085C-SL	
Apex Single Loop Bull Bar Kit* - 60.3mm Tube	BBP085C-SLK	
Raid Full Length Steel Tubular Bumper	BBR085E	
Bull Bar Multi-Function Light Patch Loom	IBBPL085	
Driving Light / Lightbar Patch Loom	IPLS085	
300W Bright Sabre Dual Row Slim Lightbar 815mm (32") Straight	ILBDR002B	1
<ul style="list-style-type: none"> Apex and Raid Bull Bars are compatible with IRONMAN 4X4 Lightbars and 20W or 40W Cube Lights, refer page 29-33 for available options Winch with Steel Cable and Roller Fairlead is not suitable - Use Winch with Synthetic Rope and Alloy Hawse only 		

STEEL SIDE STEPS AND RAILS

Raid Side Steps	SS085	
-----------------	-------	--

REAR PROTECTION

Raid Steel Rear Tubular Bumper	RTB085AU	
<ul style="list-style-type: none"> Raid Rear Bars are compatible with IRONMAN 4X4 20W Cube Lights, refer page 32 for available options 		

PREMIUM UNDERBODY PROTECTION

Ram 1500 DT	UBP085	
-------------	--------	--

SLIDE-AWAY ROLL UP HARD TONNEAU COVER

Electric with Remote Control (No RamBox) - Crew Cab Only with 5.8' Bed	ISLIDEAWAY075-E	
Electric with Remote Control (With RamBox) - Crew Cab Only with 5.8' Bed	ISLIDEAWAY085RB-E	

ATLAS RACK KIT

Platform S with Blade Fit Kit to Suit Crew Cab - 1485mm Width	IFR085PSK	
Platform G with Blade Fit Kit to Suit Slideaway (No RamBox) - 1570mm Width	IFRSLDAWAYPGK	
Platform S with Blade Fit Kit to Suit Slideaway (With RamBox) - 1485mm Width	IFRSLDAWAYPSK	
Crossbar (x 2) and Fit Kit to Suit Slideaway (No RamBox) - 1650mm Width	IFRSLDAWAYC2K	
<ul style="list-style-type: none"> See Page 38-41 for more Atlas rack, crossbar and accessory options. 		

BREATHER KIT

Universal Twin Manifold Filtered Breather Kit	IDIFFBRE	
---	----------	--

BULL BAR KIT* CONTENTS

Apex Bull Bar	Bull Bar Patch Loom	Cube Lights (2)	Turn / Park Cube Lights (2)
Apex Single Loop Bull Bar	Bull Bar Patch Loom	Cube Lights (2)	Turn / Park Cube Lights (2)



Ram 1500

DT
6/2018+



Product Description

Part No.

Qty
Req

Please check vehicle date range (if shown) next to product description prior to ordering

SUSPENSION TO SUIT RAM 1500 DT - 6/2018+

FRONT SUSPENSION

SHOCK ABSORBER

Foam Cell Pro Strut - Performance			45860FE	2
-----------------------------------	--	--	----------------	---

COIL SPRINGS

	Est. Lift	Additional Load		
Light	1.5" Lift	0 - 50kg	RAM015A	1
Medium	2" Lift	0 - 60kg	RAM015B	1
Heavy	2" Lift	60 - 110kg	RAM015C	1

STRUT MOUNTS

Steel Strut Top			ISST085	2
-----------------	--	--	----------------	---

CONTROL ARMS

Pro-Forge Upper Control Arms			UCA075FA-B	1
------------------------------	--	--	-------------------	---

REAR SUSPENSION

SHOCK ABSORBER

Foam Cell Pro - Comfort			45862FEC	2
Foam Cell Pro - Performance			45862FE	2

COIL SPRINGS

	Est. Lift	Additional Load		
Light	1.5" Lift	0 - 200kg	RAM016A	1
Medium	2" Lift	0 - 300kg	RAM016B	1
Heavy	2" Lift	200 - 500kg	RAM016C	1

SUSPENSION KIT - Specify Front Coil Springs When Ordering

Light - Foam Cell Pro	1.5" Lift	RAM017AKP
Medium - Foam Cell Pro	2" Lift	RAM017BKP
Heavy - Foam Cell Pro	2" Lift	RAM017CKP

LIFT AND LEVEL KIT

Spacer Kit - To Suit OEM Shock Absorbers	3.5" Lift - Front	2" Lift - Rear	76-085-001	1
--	-------------------	----------------	-------------------	---

- Will fit both 4WD and 2WD variants. Not for use on aftermarket shock absorbers.
- Do not use on vehicles that have "off road package" or RAM TRX models.

SUSPENSION KIT CONTENTS

Shock Absorbers	Strut Shock Absorbers	Coil Springs
-----------------	-----------------------	--------------

LIFT AND LEVEL KIT CONTENTS

76-085-001 - OEM Shock Absorbers	Tubular Steel Coil Spacer Front Rear Bump Stop Extension	Front Shock Extension	Steel Coil Spacer Rear
---	---	-----------------------	------------------------

DS
2014+

Ram 1500

Product Description

Part No.

Qty
Req*Please check vehicle date range (if shown) next to product description prior to ordering***ACCESSORIES TO SUIT RAM 1500 DS - 2014+****STEEL WINCH BULL BARS**

Raid Full Length Steel Tubular Bumper	BBR075E	
Premium Bull Bar - 60.3mm Tube	BBP075	
Bull Bar Multi-Function Light Patch Loom	IBBPL075	
Driving Light / Lightbar Patch Loom	IPLS075	
300W Bright Sabre Dual Row Slim Lightbar 815mm (32") Straight	ILBDR002B	1

- *Raid Bull Bars are compatible with IRONMAN 4X4 Lightbars and 20W or 40W Cube Lights, refer page 29-33 for available options*

- *BBR075E suits vehicles with 6 parking sensor locations*

- *Winch with Steel Cable and Roller Fairlead is not suitable - Use Winch with Synthetic Rope and Alloy Hawse only*

STEEL SIDE STEPS AND RAILS

Raid Side Steps*	SS075	
------------------	-------	--

- *Only compatible with Crew Cab model*

REAR PROTECTION

Raid Steel Rear Tubular Bumper	RTB075AU	
--------------------------------	----------	--

- *Raid Rear Bars are compatible with IRONMAN 4X4 20W Cube Lights, refer page 32 for available options*

PREMIUM UNDERBODY PROTECTION

Ram 1500 DS	UBP075	
-------------	--------	--

SLIDE-AWAY ROLL UP HARD TONNEAU COVER

Electric with Remote Control (No RamBox) - Crew Cab Only with 5.8' Bed	ISLIDEAWAY075-E	
Electric with Remote Control (With RamBox) - Crew Cab Only with 5.8' Bed	ISLIDEAWAY075RB-E	

ATLAS RACK KIT

Platform S with Blade Fit Kit to Suit Crew Cab - 1485mm Width	IFR075PSK	
Platform G with Blade Fit Kit to Suit Slideaway (No RamBox) - 1570mm Width	IFRSLDAWAYPGK	
Platform S with Blade Fit Kit to Suit Slideaway (With RamBox) - 1485mm Width	IFRSLDAWAYPSK	
Crossbar (x 2) and Fit Kit to Suit Slideaway (No RamBox) - 1650mm Width	IFRSLDAWAYC2K	

- *See Page 38-41 for more Atlas rack, crossbar and accessory options.*

BREATHER KIT

Universal Twin Manifold Filtered Breather Kit	IDIFFBRE	
---	----------	--



Ram 1500

 DS
2014+


Product Description

Part No.

Qty
Req

Please check vehicle date range (if shown) next to product description prior to ordering

SUSPENSION TO SUIT RAM 1500 DS - 2014+

FRONT SUSPENSION

SHOCK ABSORBER

Foam Cell Pro Strut - Performance			45855FE	2
Foam Cell Pro Strut - Long Travel* (SEE NOTE)			45855LFE *	2

*NOTE: MANDATORY FITMENT of UCA075FA and SBEXT075 is required with Long Travel - Foam Cell Pro Strut

COIL SPRINGS

	Est. Lift	Additional Load		
Light	2" Lift	0 - 50kg	RAM015A	1
Medium	2" Lift	0 - 60kg	RAM015B	1
Heavy	2" Lift	60 - 110kg	RAM015C	1

STRUT MOUNTS

Steel Strut Top			ISST075	2
-----------------	--	--	----------------	---

SWAY BAR LINK

Adjustable Sway Bar Link			SBEXT075	2
--------------------------	--	--	-----------------	---

CONTROL ARMS

Pro-Forge Upper Control Arms			UCA075FA-B	1
------------------------------	--	--	-------------------	---

REAR SUSPENSION

SHOCK ABSORBER

Foam Cell Pro - Comfort			45856FEC	2
Foam Cell Pro - Comfort - Long Travel* (SEE NOTE)			45856LFEC *	2
Foam Cell Pro - Performance			45856FE	2
Foam Cell Pro - Performance - Long Travel* (SEE NOTE)			45856LFE *	2

*NOTE: MANDATORY FITMENT of IRONMAN 4X4 Coil Springs are required with Long Travel - Foam Cell Pro

COIL SPRINGS

	Est. Lift	Additional Load		
Light	1.5" Lift	0 - 200kg	RAM016A	1
Medium	2" Lift	0 - 300kg	RAM016B	1
Heavy	2" Lift	200 - 500kg	RAM016C	1

SUSPENSION KIT - Specify Front Coil Springs When Ordering

Light - Foam Cell Pro	1.5" Lift	RAM016AKP
Medium - Foam Cell Pro	2" Lift	RAM016BKP
Medium - Foam Cell Pro*	2.5" Lift	RAM016BKP1
Heavy - Foam Cell Pro	2" Lift	RAM016CKP
Heavy - Foam Cell Pro*	2.5" Lift	RAM016CKP1

*Adjust 45855LFE seat height to 193mm

SUSPENSION KIT CONTENTS

Shock Absorbers	Coil Springs	Sway Bar Links
Strut Shock Absorbers	Strut Mounts	Upper Control Arms (2.5" lift kit only)



HD
2019+

Ram 2500 / 3500

Product Description

Part No.

Qty
Req

Please check vehicle date range (if shown) next to product description prior to ordering

SUSPENSION TO SUIT RAM 2500 / 3500 HD - 2019+

LIFT AND LEVEL KIT

2500 Spacer Kit - To Suit OEM Shock Absorbers	3" Lift - Front	1" Lift - Rear	76-122-001	1
3500 Spacer Kit - To Suit OEM Shock Absorbers*	3" Lift - Front	1" Lift - Rear	76-113-001	1

* Longer U-Bolts needed for Dual wheel applications

• For use on 4WD vehicles only. Not for use on aftermarket shock absorbers. Do not use on power wagon, vehicles with snow plow package, or air bag rear suspension.

LIFT AND LEVEL KIT CONTENTS

76-122-001 - OEM Shock Absorbers	Tubular Steel Coil Spacer Front Rear Bump Stop Extension	Front Shock Extension	Steel Coil Spacer Rear
76-113-001 - OEM Shock Absorbers	Steel Coil Spacer Front U-Bolts	Front Shock Extension Rear Bump Stop Extension	Cast Leaf Block

Renault Alaskan

Thai-Built Only
2017+



Product Description

Part No.

Qty
Req

Please check vehicle date range (if shown) next to product description prior to ordering

ACCESSORIES TO SUIT RENAULT ALASKAN - 2017+

STEEL WINCH BULL BARS - THAI BUILT MODEL ONLY

Commercial Bull Bar	BBC048
Deluxe Bull Bar	BBCD048
Proguard No Loop Bull Bar	BBT048-NL
Proguard Single Loop Kit	BB048-SL
Proguard Triple Loop Kit	BB048-TL
Driving Light / Lightbar Patch Loom	IPLS048

STEEL SIDE STEPS AND RAILS - FITS DUAL CAB MODELS ONLY

Side Steps - Dimple Step Design	SS048-D
Side Rails	SS048 RAIL
Side Steps and Rails - Dimple Step Design	SSR048-D

TOWING

Class 4 Towbar - Compatible with Factory Rear Bumper	TB048
Rear Protection Towbar - Full Rear Bumper Replacement	RTB048
Rear Protection Towbar Plates (Pair)	RTBPLATE048
Towbar Wiring Loom - Plug and Play	ITBL048

LONG RANGE FUEL TANK

140L* - Auto/Coil Spring Diesel only. Not compatible with AdBlue equipped models <i>* Usable volume may differ to the stated tank capacity</i>	TANK048
---	---------

PREMIUM UNDERBODY PROTECTION

Engine Bay and Transmission - Series 1	UBP048
Engine Bay and Transmission - Series 2, 3 and 4	UBP048S

BREATHER KIT

Universal Twin Manifold Filtered Breather Kit	IDIFFBRE
---	----------



Thai-Built Only
2017+

Renault Alaskan

Product Description

Part No.

Qty
Req

Please check vehicle date range (if shown) next to product description prior to ordering

SUSPENSION TO SUIT RENAULT ALASKAN - 2015-2020

FRONT SUSPENSION

SHOCK ABSORBER

Nitro Gas Strut - Performance			12716GR	2
Foam Cell Strut - Performance			24716FE	2
Foam Cell Pro Strut - Performance			45716FE	2
Foam Cell Pro Strut - Performance - Long Travel* (SEE NOTE)			45716LFE *	2

*NOTE: MANDATORY FITMENT of IRONMAN 4X4 UCA048FA is required with Long Travel - Foam Cell Pro

• Foam Cell Pro contains a single adjusting ring for driveshaft clearance

COIL SPRINGS

	Est. Lift	Additional Load		
Standard	0mm	0 - 50kg	NISS040A	1
Light	20mm	0 - 50kg	NISS040B	1
Medium	35mm	0 - 80kg	NISS040C	1
Heavy	40mm	50 - 110kg	NISS040D	1

STRUT MOUNTS

Steel Strut Top			ISST007	2
-----------------	--	--	---------	---

TRIM PACKERS

5mm Strut Trim Packer	Nitro Gas / Foam Cell		HILFR05/HILFR05F	2
10mm Strut Trim Packer	Nitro Gas / Foam Cell		HILFR10/HILFR10F	2
15mm Strut Trim Packer	Nitro Gas / Foam Cell		HILFR15/HILFR15F	2

• ONLY Compatible with IRONMAN 4X4 Struts (except Pro), lift height subject to 2:1 motion ratio. Unnecessary fitment may lift vehicle too high

CONTROL ARMS

Pro-Forge Upper Control Arms			UCA048FA-B	1
------------------------------	--	--	------------	---

REAR SUSPENSION

SHOCK ABSORBER

Nitro Gas - Performance			12728GR	2
Foam Cell - Performance			24728FE	2
Foam Cell - Professional			24728FEP	2
Foam Cell Pro - Comfort			45728FEC	2
Foam Cell Pro - Performance			45728FE	2
Foam Cell Pro - Professional			45728FEP	2

• When fitting Foam Cell Pro shock absorbers to the rear of the vehicle, a small modification may be needed on some vehicles to create clearance between the shock body and the lower shock mount gusset on the differential. Also note the Foam Cell Pro lower eye is offset to assist with clearance.

COIL SPRINGS

	Est. Lift	Additional Load		
Light	20mm	0 - 200kg	NISS058A	1
Medium	40mm	0 - 300kg	NISS058B	1
Heavy	40mm	300kg - 600kg	NISS058C	1
Extra Heavy	45mm	600kg - GVM	NISS058D	1

COIL SPACER

Polyurethane 20mm			NAVR20	2
-------------------	--	--	--------	---

SPACER KIT

Sway Bar and Headlight Bracket Extension Kit			1204K	1
--	--	--	-------	---

SUSPENSION KIT - Specify Front Coil Springs When Ordering

Medium - Nitro Gas	NISS058BKG
Medium - Foam Cell	NISS058BKF
Medium - Foam Cell Pro	NISS058BKP
Heavy - Nitro Gas	NISS058CKG
Heavy - Foam Cell	NISS058CKF
Heavy - Foam Cell Pro	NISS058CKP
Extra Heavy - Nitro Gas	NISS058DKG
Extra Heavy - Foam Cell	NISS058DKF
Extra Heavy - Foam Cell Pro	NISS058DKP

• Specify front Coil Springs when ordering

SUSPENSION KIT CONTENTS

Shock Absorbers	Strut Shock Absorbers
Coil Springs	Sway Bar and Headlight Bracket Kit

Renault Duster

2010+



Product Description

Part No.

Qty
Req

Please check vehicle date range (if shown) next to product description prior to ordering

SUSPENSION TO SUIT RENAULT DUSTER - 2010+

FRONT SUSPENSION

SHOCK ABSORBER

Nitro Gas Strut - Performance

12747GR 2

COIL SPRINGS

Medium

Est. Lift	Additional Load
40mm	0 - 50kg

REN001B 1

CAMBER CORRECTION

Camber Bolt Kit

ICAMBER12 1

REAR SUSPENSION

SHOCK ABSORBER

Nitro Gas Strut - Performance

12748GR 2

COIL SPRINGS

Medium

Est. Lift	Additional Load
40mm	0 - 200kg

REN002B 1

CAMBER CORRECTION

Camber Bolt Kit

ICAMBER12 1

SUSPENSION KIT

Medium - Nitro Gas

REN001BKG

SUSPENSION KIT CONTENTS

Shock Absorbers

Camber Correction

Coil Springs



Q215 / Q250 - 5/2021+
Q200 / Q201 / Q205 - 10/2018-4/2021

SsangYong Musso

Product Description

Part No.

Qty
Req

Please check vehicle date range (if shown) next to product description prior to ordering

ACCESSORIES TO SUIT SSANGYONG MUSSO - 10/2018+

STEEL WINCH BULL BARS

Deluxe Bull Bar (Suits 10/2018-4/2021 Q200/Q201/Q205/Q215 Models)	BBCD071
Deluxe Bull Bar (Suits 5/2021+ Q215 Facelift & 2022+ Q250 Models)	BBCD088
Driving Light/Lightbar Patch Loom to Suit Ssangyong Musso Q250 2022+	IPLS088
Bull Bar Patch Loom to Suit Ssangyong Musso Q250 2022+	IBBPLO88

• Winch with Steel Cable and Roller Fairlead is not suitable - Use Winch with Synthetic Rope and Alloy Hawse only

PREMIUM UNDERBODY PROTECTION

Engine Bay	UBP201SY
------------	----------

SLIDE-AWAY ROLL UP HARD TONNEAU COVER

Electric with Remote Control (Standard Bed)	ISLIDEAWAY071-E
Electric with Remote Control (XLV Bed)	ISLIDEAWAY071L-E
Sports Bar Adaptor	ISLIDEAWAY071-SBA

ATLAS ROOF RACK KITS

Platform G with Blade Fit Kit to Suit Slideaway Hard Tonneau Cover - 1390mm Length	IFRSLDAWAYPGK
Crossbar (x 2) and Fit Kit to Suit Slideaway Hard Tonneau Cover - 1650mm Width	IFRSLDAWAYC2K

• See Page 38-41 for more Atlas rack, crossbar and accessory options.

BREATHER KIT

Universal Twin Manifold Filtered Breather Kit	IDIFFBRE
---	----------



Q200 SWB
10/2018+

SsangYong Musso

Product Description

Part No.

Qty
Req

Please check vehicle date range (if shown) next to product description prior to ordering

SUSPENSION TO SUIT SSANGYONG MUSSO Q200 - 10/2018+

FRONT SUSPENSION

SHOCK ABSORBER

Nitro Gas Strut - Performance			12823GR	2
-------------------------------	--	--	---------	---

COIL SPRINGS

	Est. Lift	Additional Load		
Medium	30mm	0-50kg	SSANG003B	1
Heavy	35mm	50-100kg	SSANG003C	1

• Estimated lift is 15mm less in 2020+ models due to factory OEM height increase

REAR SUSPENSION

SHOCK ABSORBER

Nitro Gas - Performance			12824GR	2
-------------------------	--	--	---------	---

COIL SPRINGS

	Est. Lift	Additional Load		
Medium	35mm	0 - 200kg	SSANG004B	1
Heavy	40mm	200 - 400kg	SSANG004C	1

• Estimated lift is 15mm less in 2020+ models due to factory OEM height increase

SUSPENSION KIT - Specify Front Coil Springs When Ordering

Medium - Nitro Gas	SSANG004BKG
Heavy - Nitro Gas	SSANG004CKG

• Estimated lift is 15mm less in 2020+ models due to factory OEM height increase

SUSPENSION KIT CONTENTS

Shock Absorbers	Coil Springs
Strut Shock Absorbers	

SsangYong Musso

Q201 / Q215 LWB (Coil)
10/2018+



Product Description

Part No.

Qty
Req

Please check vehicle date range (if shown) next to product description prior to ordering

SUSPENSION TO SUIT SSANGYONG MUSSO Q201 / Q215 - 10/2018+

FRONT SUSPENSION

SHOCK ABSORBER

Nitro Gas Strut - Performance

12823GR 2

COIL SPRINGS

	Est. Lift	Additional Load		
Medium	30mm	0 - 50kg	SSANG003B	1
Heavy	35mm	50 - 100kg	SSANG003C	1

• Estimated lift is 15mm less in 2020+ models due to factory OEM height increase

REAR SUSPENSION

SHOCK ABSORBER

Nitro Gas - Performance

12825GR 2

COIL SPRINGS

	Est. Lift	Additional Load		
Medium	35mm	0 - 200kg	SSANG006B	1
Heavy	40mm	200 - 400kg	SSANG006C	1

• Estimated lift is 15mm less in 2020+ models due to factory OEM height increase

SUSPENSION KIT - Specify Front Coil Springs When Ordering

Medium - Nitro Gas

SSANG006BKG

Heavy - Nitro Gas

SSANG006CKG

• Estimated lift is 15mm less in 2020+ models due to factory OEM height increase

SUSPENSION KIT CONTENTS

Shock Absorbers Coil Springs
Strut Shock Absorbers



Q201 / Q205 / Q215 LWB (Leaf)
10/2018+

SUSPENSION TO SUIT

SsangYong Musso

Product Description

Part No.

Qty
Req

Please check vehicle date range (if shown) next to product description prior to ordering

SUSPENSION TO SUIT SSANGYONG MUSSO Q201 / Q205 / Q215 - 10/2018+

FRONT SUSPENSION

SHOCK ABSORBER

Nitro Gas Strut - Performance			12823GR	2
-------------------------------	--	--	----------------	---

COIL SPRINGS

	Est. Lift	Additional Load		
Medium	30mm	0-50kg	SSANG003B	1
Heavy	35mm	50-100kg	SSANG003C	1

• Estimated lift is 15mm less in 2020+ models due to factory OEM height increase

REAR SUSPENSION

SHOCK ABSORBER

Nitro Gas - Performance			12826GR	2
-------------------------	--	--	----------------	---

LEAF SPRINGS

	Est. Lift	Additional Load		
Medium	45mm	0-300kg	SSANG005B	2
Heavy	50mm	300kg-GVM	SSANG005C	2

U-BOLTS

U-Bolt Kit			1105UBK	2
------------	--	--	----------------	---

POLYURETHANE SPRING BUSHES

Bush Kit			1153UK	1
----------	--	--	---------------	---

SUSPENSION KIT - Specify Front Coil Springs When Ordering

Medium - Nitro Gas	SSANG005BKG
Heavy - Nitro Gas	SSANG005CKG

SUSPENSION KIT CONTENTS

Shock Absorbers	Coil Springs	U-Bolts
Strut Shock Absorbers	Leaf Springs	Polyurethane Spring Bushes



Product Description

Part No.

Qty
Req

Please check vehicle date range (if shown) next to product description prior to ordering

SUSPENSION TO SUIT SSANGYONG MUSSO / KORANDO - 1996-2006

FRONT SUSPENSION

SHOCK ABSORBER

Nitro Gas - Performance	12667GR	2
Foam Cell - Performance	24667FE	2

TORSION BAR

Up-rated Torsion Bars	SSANG001	1
-----------------------	-----------------	---

• Minimum 60mm downward suspension travel required after adjustment

REAR SUSPENSION

SHOCK ABSORBER

Nitro Gas - Performance	12661GRS	2
Foam Cell - Performance	24661FES	2

COIL SPRINGS

	Est. Lift	Additional Load		
Medium	45mm	0-200kg	SSANG002B	1

SUSPENSION KIT

Medium - Nitro Gas	SSANG002BKG
Medium - Foam Cell	SSANG002BKF

SUSPENSION KIT CONTENTS

Shock Absorbers	Torsion Bars
Coil Springs	



Y400
10/2018 to 4/2021
Y400 / Y450
2018+

ACCESSORIES AND SUSPENSION TO SUIT

SsangYong Rexton

Product Description

Part No.

Qty
Req

Please check vehicle date range (if shown) next to product description prior to ordering

ACCESSORIES TO SUIT SSANGYONG REXTON Y400 - 10/2018-4/2021

STEEL WINCH BULL BARS

Deluxe Bull Bar

BBCD071

• Winch with Steel Cable and Roller Fairlead is not suitable - Use Winch with Synthetic Rope and Alloy Hawse only

PREMIUM UNDERBODY PROTECTION

Engine Bay

UBP201SY

BREATHER KIT

Universal Twin Manifold Filtered Breather Kit

IDIFFBRE

SUSPENSION TO SUIT SSANGYONG REXTON Y400 / Y450 - 10/2018+

FRONT SUSPENSION

SHOCK ABSORBER

Nitro Gas - Performance

12823GR

2

COIL SPRINGS

Medium

Est. Lift

Additional Load

30mm

0-50kg

SSANG003B

1

Heavy

35mm

50-100kg

SSANG003C

1

REAR SUSPENSION

SHOCK ABSORBER

Nitro Gas - Performance (Independent rear suspension models)

12828GR

2

Nitro Gas - Performance (Solid axle models)

12824GR

2

COIL SPRINGS

Medium (Independent rear suspension models)

Est. Lift

Additional Load

40mm

0-200kg

SSANG010B

1

Medium (Solid axle models)

35mm

0 - 200kg

SSANG004B

1

SUSPENSION KIT - Specify Front Coil Springs When Ordering

Medium - Nitro Gas

SSANG010BKG

SUSPENSION KIT CONTENTS

Shock Absorbers

Coil Springs

Strut Shock Absorbers

Subaru Forester

2019+



Product Description

Part No.

Qty
Req

Please check vehicle date range (if shown) next to product description prior to ordering

ACCESSORIES TO SUIT SUBARU FORESTER - 2019+

ATLAS DUAL CAB ROOF RACK KITS

Crossbar (x 2) and Fit Kit - 1375mm Width

IFRK094

BREATHER KIT

Universal Twin Manifold Filtered Breather Kit

IDIFFBRE

SUSPENSION TO SUIT SUBARU FORESTER - 2019+

FRONT SUSPENSION

SHOCK ABSORBER

	Est. Lift	Additional Load		
Nitro Gas Strut Assembly Left - Medium	50mm	0 - 50kg	12830007GRLH	1
Nitro Gas Strut Assembly Right - Medium	50mm	0 - 50kg	12830007GRRH	1
Nitro Gas Strut Assembly Left - Heavy	50mm	50 - 80kg	12830007GRPLH	1
Nitro Gas Strut Assembly Right - Heavy	50mm	50 - 80kg	12830007GRPRH	1

• Strut Assembly includes pre-assembled Coil Springs, Shock Absorber and Strut Top Cap

REAR SUSPENSION

SHOCK ABSORBER

	Est. Lift	Additional Load		
Nitro Gas Strut Assembly - Medium	50mm	0 - 200kg	12832008GR	2
Nitro Gas Strut Assembly - Heavy	50mm	200kg - GVM	12832008GRP	2

• Strut Assembly includes pre-assembled Coil Springs, Shock Absorber and Strut Top Cap

SPACER KIT

Sway Bar Relocation Kit			1216K	1
Sub Frame Alignment Kit			1215K	1

SUSPENSION KIT

Medium - Nitro Gas	SUB007BKG
Heavy - Nitro Gas	SUB007CKG

SUSPENSION KIT CONTENTS

Left / Right Front Strut Assemblies	Rear Subframe Alignment Kit
Rear Strut Assemblies	Sway Bar Relocation Kit



SF5, GX, RX, GT
1997 to 2013

SUSPENSION TO SUIT

Subaru Forester

Product Description

Part No.

Qty
Req

Please check vehicle date range (if shown) next to product description prior to ordering

SUSPENSION TO SUIT SUBARU FORESTER SF5, GX, RX, GT - 1997-2013

FRONT SUSPENSION

COIL SPRINGS

	Est. Lift	Additional Load		
Medium - 1997 - 2001	35mm	0 - 50kg	SUB001B	1
Medium - 2002 - 2008	35mm	0 - 50kg	SUB003B	1
Medium - 2008 - 2013	20mm	0 - 50kg	SUB005B	1

CAMBER CORRECTION

Camber Bolt Kit			ICAMBER14	1
-----------------	--	--	------------------	---

REAR SUSPENSION

COIL SPRINGS

	Est. Lift	Additional Load		
Medium - 1997 - 2001	35mm	0 - 200kg	SUB002B	1
Medium - 2002 - 2008	35mm	0 - 200kg	SUB004B	1
Medium - 2008 - 2013	20mm	0 - 200kg	SUB006B	1

• Not suitable for self levelling suspension models

CAMBER CORRECTION

Camber Bolt Kit			ICAMBER14	1
-----------------	--	--	------------------	---

Subaru Outback

2015 to 2019
2020+

Product Description

Part No.

Qty
Req

Please check vehicle date range (if shown) next to product description prior to ordering

ACCESSORIES TO SUIT SUBARU OUTBACK - 2015+

ATLAS DUAL CAB ROOF RACK KITS

Crossbar (x 2) and Fit Kit - 1375mm Width

IFRK094

BREATHER KIT

Universal Twin Manifold Filtered Breather Kit

IDIFFBRE

SUSPENSION TO SUIT SUBARU OUTBACK - 2015+

FRONT SUSPENSION

SHOCK ABSORBER

	Est. Lift	Additional Load		
Nitro Gas Strut Assembly Left - Medium (2015-2019)	50mm	0 - 50kg	12833009GRLH	1
Nitro Gas Strut Assembly Right- Medium (2015-2019)	50mm	0 - 50kg	12833009GRRH	1
Nitro Gas Strut Assembly Left - Heavy (2015-2019)	50mm	50 - 80kg	12833009GRPLH	1
Nitro Gas Strut Assembly Right- Heavy (2015-2019)	50mm	50 - 80kg	12833009GRPRH	1
Nitro Gas Strut Assembly Left - Medium (2020+)	50mm	0 - 50kg	12831009GRLH	1
Nitro Gas Strut Assembly Right- Medium (2020+)	50mm	0 - 50kg	12831009GRRH	1
Nitro Gas Strut Assembly Left - Heavy (2020+)	50mm	50 - 80kg	12831009GRPLH	1
Nitro Gas Strut Assembly Right- Heavy (2020+)	50mm	50 - 80kg	12831009GRPRH	1

• Strut Assembly includes pre-assembled Coil Springs, Shock Absorber and Strut Top Cap

• Gen 5 (2015-2019) uses 8mm Strut Top Studs - Gen 6 (2020+) uses 10mm Strut Top Studs

REAR SUSPENSION

SHOCK ABSORBER

	Est. Lift	Additional Load		
Nitro Gas Strut Assembly - Medium (2015-2019)	50mm	0 - 200kg	12834010GR	2
Nitro Gas Strut Assembly - Heavy (2015-2019)	50mm	200kg - GVM	12834010GRP	2
Nitro Gas Strut Assembly - Medium (2020+)	50mm	0 - 200kg	12834014GR	2
Nitro Gas Strut Assembly - Heavy (2020+)	50mm	200kg - GVM	12834014GRP	2

• Strut Assembly includes pre-assembled Coil Springs, Shock Absorber and Strut Top Cap

SPACER KIT

Sub Frame Alignment Kit			1215K	1
-------------------------	--	--	--------------	---

SUSPENSION KIT

Medium - Nitro Gas (2015-2019)	SUB009BKG
Heavy - Nitro Gas (2015-2019)	SUB009CKG
Medium - Nitro Gas (2020+)	SUB009BKG1
Heavy - Nitro Gas (2020+)	SUB009CKG1

SUSPENSION KIT CONTENTS

Left / Right Front Strut Assemblies

Rear Subframe Alignment Kit

Rear Strut Assemblies



2018 to 3/2023
4/2023+

ACCESSORIES AND SUSPENSION TO SUIT

Subaru XV Crosstrek

Product Description

Part No.

Qty
Req

Please check vehicle date range (if shown) next to product description prior to ordering

ACCESSORIES TO SUIT SUBARU XV CROSSTREK - 2018+

STEEL TUBE PROTECTION BAR

Tubular Bumper Bar (4/2023+ only)

ITBR121

Tubular Bumper Bar (2018 to 3/2023 only)

ITBR094

ATLAS DUAL CAB ROOF RACK KITS

Crossbar (x 2) and Fit Kit - 1375mm Width

IFRK094

BREATHER KIT

Universal Twin Manifold Filtered Breather Kit

IDIFFBRE

SUSPENSION TO SUIT SUBARU XV CROSSTREK - 2018+

FRONT SUSPENSION

SHOCK ABSORBER

Est. Lift Additional Load

Nitro Gas Strut Assembly Left - Medium

50mm

0 - 50kg

12835011GRLH

1

Nitro Gas Strut Assembly Right- Medium

50mm

0 - 50kg

12835011GRRH

1

Nitro Gas Strut Assembly Left - Heavy

50mm

50 - 80kg

12835011GRPLH

1

Nitro Gas Strut Assembly Right- Heavy

50mm

50 - 80kg

12835011GRPRH

1

• Strut Assembly includes pre-assembled Coil Springs, Shock Absorber and Strut Top Cap

REAR SUSPENSION

SHOCK ABSORBER

Est. Lift Additional Load

Nitro Gas Strut Assembly - Medium

50mm

0 - 200kg

12836012GR

2

Nitro Gas Strut Assembly - Heavy

50mm

200kg - GVM

12836012GRP

2

• Strut Assembly includes pre-assembled Coil Springs, Shock Absorber and Strut Top Cap

SPACER KIT

Sway Bar Relocation Kit

1216K

1

Sub Frame Alignment Kit

1215K

1

EXHAUST HANGER KIT

Exhaust Hanger Rubber

IEXH4075

3

SUSPENSION KIT

Medium - Nitro Gas

SUB011BKG

Heavy - Nitro Gas

SUB011CKG

SUSPENSION KIT CONTENTS

Left / Right Front Strut Assemblies

Rear Subframe Alignment Kit

Exhaust Hanger Rubbers

Rear Strut Assemblies

Sway Bar Relocation Kit

Suzuki Jimny

GJ 2018+ (3 Door)
XL 2024+ (5 Door)

Product Description

Part No.

Qty
Req

Please check vehicle date range (if shown) next to product description prior to ordering

ACCESSORIES TO SUIT SUZUKI JIMNY GJ - 2018+ / XL - 2024+

STEEL WINCH BULL BARS

Deluxe Bull Bar*

BBCD070

Jimny Special*

BBS070

Driving Light / Lightbar Patch Loom

IPLS070

Driving Light / Lightbar Patch Loom - *While Stocks Last*

IPL070

- Winch with Steel Cable and Roller Fairlead is not suitable - Use Winch with Synthetic Rope and Alloy Hawse only

- Uses factory fog/DRL Lights. Suits factory flares

* Black textured paint

RECOVERY POINTS - IRONMAN 4X4 BULL BAR ONLY

Recovery Points - 5000kg Rating (Pair)

IRP070

STEEL SIDE STEPS

Side Steps (GJ 2018+ 3 Door only)

SS070

ALLOY ROOF RACKS

Trade Style - 1.4m x 1.25m (Open end)

IRROPEN14-ALLOY

PREMIUM UNDERBODY PROTECTION

Transfer Case, Driveline and Exhaust (GJ 2018+ 3 Door only)

UBP070

SNORKEL

2018+

ISNORKELO70

ATLAS ROOF RACK KIT

Crossbar (x 2) and Fit Kit - 1500mm Width

IFR070C2K

- See Page 38-41 for more Atlas rack, crossbar and accessory options.

SEAT COVER

Airbag Compatible Fabric Seat Covers - Front

SC070-CC-1R-A

Airbag Compatible Fabric Seat Covers - Rear

SC070-CC-2R-A

BREATHER KIT

Universal Twin Manifold Filtered Breather Kit

IDIFFBRE

GJ
2018+

Product Description

Part No.

Qty
Req*Please check vehicle date range (if shown) next to product description prior to ordering***SUSPENSION TO SUIT SUZUKI JIMNY GJ - 2018+****FRONT SUSPENSION****SHOCK ABSORBER**

Nitro Gas - Performance 12759GR 2

STEERING DAMPER

Foam Cell 3542 1

COIL SPRINGS

	Est. Lift	Additional Load		
Medium	50mm	0 - 50kg	SUZ009B	1
Heavy	50mm	50 - 80kg	SUZ009C	1

PANHARD ROD

Adjustable Panhard Rod RHD Only PANHARD017 1

Adjustable Panhard Rod LHD Only PANHARD017L 1

CHASSIS DROPMEMBER

Front Crossmember Drop Brackets IDM009 1

OFFSET CASTER BUSH KIT

Offset Bush Kit Rubber 2 Degree offset 1146RK 1

BUMP STOP

Extended Bump Stop 1219R 2

• Must install 1219R extended bump stop when fitting 1146RK

• Must install IDM009 Dropmember when fitting 1146RK and 12759GR

REAR SUSPENSION**SHOCK ABSORBER**

Nitro Gas - Performance 12760GR 2

COIL SPRINGS

	Est. Lift	Additional Load		
Medium - RHD	50mm*	0 - 200kg	SUZ010B	1
Medium - LHD	50mm*	0 - 200kg	SUZ011B	1
Heavy - RHD	50mm*	200 - 400kg	SUZ010C	1
Heavy - LHD	50mm*	200 - 400kg	SUZ011C	1

• SUZ010 are staggered height for Japan Spec vehicles, SUZ011 are equal height for Euro spec vehicles

*NOTE: 5 door model variant may sit 10mm lower than estimated rear lift

PANHARD ROD

Adjustable Panhard Rod PANHARD018 1

BRAKE HOSE

Extended Brake Hose Left side BHOSE009 1

SPACER KIT

Extended Headlight Sensor Bracket 1211K 1

• Must install BHOSE009 and 1211K when fitting 12760GR

SUSPENSION KIT - Specify Front Coil Springs When Ordering

Medium - Nitro Gas SUZ010BKG

Heavy - Nitro Gas SUZ010CKG

SUSPENSION KIT CONTENTS

Shock Absorbers

Extended Brake Hose

Front Crossmember Drop Brackets

Coil Springs

Extended Headlight Sensor Bracket

OPTIONS AVAILABLE FOR THIS VEHICLE - SEE PAGE 390





Product Description

Part No.

Qty
Req

Please check vehicle date range (if shown) next to product description prior to ordering

ACCESSORIES TO SUIT SUZUKI JIMNY - 2012-1/2019

STEEL WINCH BULL BARS

Deluxe Bull Bar

BBCD063

• Winch with Steel Cable and Roller Fairlead is not suitable - Use Winch with Synthetic Rope and Alloy Hawse only

BREATHER KIT

Universal Twin Manifold Filtered Breather Kit

IDIFFBRE

SUSPENSION TO SUIT SUZUKI JIMNY SN413 - 1998-2018

FRONT SUSPENSION

SHOCK ABSORBER

Nitro Gas - Performance

12759GR

2

STEERING DAMPER

Foam Cell

Includes Adaptor Kit

3521S

1

COIL SPRINGS

Medium

Est. Lift

Additional Load

50mm

0 -50kg

SUZ009B

1

OFFSET CASTER BUSH KIT

Offset Bush Kit Rubber

2 Degree offset

1146RK

1

REAR SUSPENSION

SHOCK ABSORBER

Nitro Gas - Performance

12760GR

2

COIL SPRINGS

Medium - Japan Spec

Est. Lift

Additional Load

50mm

0 -200kg

SUZ010B

1

Medium - Euro Spec

50mm

0 -200kg

SUZ011B

1

• SUZ010B are staggered height for Japan Spec vehicles, SUZ011B are equal height for Euro spec vehicles

SUSPENSION KIT

Medium - Nitro Gas

SUZ009BKG

• Specify rear Coil Springs when ordering

SUSPENSION KIT CONTENTS

Shock Absorbers

Coil Springs



SJ80 (Coil)
1997+

Suzuki Sierra

Product Description

Part No.

Qty
Req

Please check vehicle date range (if shown) next to product description prior to ordering

SUSPENSION TO SUIT SUZUKI SIERRA SJ80 - 1997+

FRONT SUSPENSION

COIL SPRINGS	Est. Lift	Additional Load		
Medium	35mm	0 - 40kg	SUZ007B	1
OFFSET CASTER BUSH KIT				
Offset Bush Kit Rubber		2 Degree offset	1146RK	1

REAR SUSPENSION

COIL SPRINGS	Est. Lift	Additional Load		
Medium	35mm	0 - 200kg	SUZ008B	1



Samurai LJ, SJ (Leaf)
1981+

Suzuki Sierra

Product Description

Part No.

Qty
Req

Please check vehicle date range (if shown) next to product description prior to ordering

SUSPENSION TO SUIT SUZUKI SIERRA SAMURAI LJ, SJ - 1981+

FRONT SUSPENSION

SHOCK ABSORBER				
Nitro Gas - Performance			12085GR	2
LEAF SPRINGS	Est. Lift	Additional Load		
Medium - Drivers Side	50mm	0 - 50kg	SUZ001BD/S	1
Medium - Near Side	50mm	0 - 50kg	SUZ001BN/S	1
STEERING DAMPER				
Foam Cell			3530	1
U-BOLTS				
U-Bolt Kit		Drivers side	654UBK	1
U-Bolt Kit		Near side	655UBK	1
POLYURETHANE SPRING BUSHES				
Bush Kit			734UK	1

REAR SUSPENSION

SHOCK ABSORBER				
Nitro Gas - Performance			12086GR	2
LEAF SPRINGS	Est. Lift	Additional Load		
Medium	50mm	0 - 200kg	SUZ002B	2
Medium - Optional +20mm	50mm	0 - 200kg	SUZ002BD/S	1
• Optional D/S spring to offset uneven weight distribution, eg. Spare Wheel				
U-BOLTS				
U-Bolt Kit			655UBK	2
POLYURETHANE SPRING BUSHES				
Bush Kit			734UK	1
HELPER SPRINGS				
Load Plus Helper Springs			LP5	1

SUSPENSION KIT - Specify Rear Spring When Ordering

Medium - Nitro Gas	SUZ001BKG
--------------------	------------------

SUSPENSION KIT CONTENTS

Shock Absorbers	U-Bolts
Leaf Springs	Polyurethane Spring Bushes

Suzuki Grand Vitara

8/2005 to 2015



Product Description

Part No.

Qty
Req

Please check vehicle date range (if shown) next to product description prior to ordering

ACCESSORIES TO SUIT SUZUKI GRAND VITARA - 8/2005-2015

STEEL WINCH BULL BARS - 2012 DIESEL MANUAL ONLY - NOT COMPATIBLE WITH V6 MODEL

Deluxe Bull Bar - Diesel Manual Only

BBCD046

BREATHER KIT

Universal Twin Manifold Filtered Breather Kit

IDIFFBRE

SUSPENSION TO SUIT SUZUKI GRAND VITARA - 8/2005-2015

FRONT SUSPENSION

SHOCK ABSORBER

Nitro Gas Strut - Performance

McPherson Strut

12721GR

2

COIL SPRINGS

Est. Lift

Additional Load

Medium

40mm

0 - 50kg

SUZ019B

1

Heavy or Diesel, or 2.7L

40mm

50 - 100kg

SUZ019C

1

CAMBER CORRECTION

Camber Bolt Kit

ICAMBER14

1

REAR SUSPENSION

SHOCK ABSORBER

Nitro Gas - Performance

12722GR

2

COIL SPRINGS

Est. Lift

Additional Load

Medium - SWB (GV3)

40mm

0 - 200kg

SUZ020A

1

Medium - LWB

40mm

0 - 200kg

SUZ020B

1

Heavy - LWB

40mm

200 - 400kg

SUZ020C

1

SUSPENSION KIT - Specify Front Coil Springs When Ordering

Medium - Nitro Gas

SWB GV3

SUZ019AKG

Medium - Nitro Gas

LWB

SUZ019BKG

Heavy - Nitro Gas

LWB

SUZ019CKG

- SWB refers 3 door vehicles, LWB refers 5 door vehicles

- Monocoque constructed vehicles such as Suzuki Grand Vitara can be subject to increased NVH (Noise) with upgraded suspension installed

SUSPENSION KIT CONTENTS

Shock Absorbers

Strut Shock Absorbers

Coil Springs

Camber Correction



1988 to 7/2005

Suzuki Grand Vitara

Product Description

Part No.

Qty
Req

Please check vehicle date range (if shown) next to product description prior to ordering

SUSPENSION TO SUIT SUZUKI GRAND VITARA - 1988-7/2005

FRONT SUSPENSION

SHOCK ABSORBER

Nitro Gas Strut - Performance	Full replacement strut	12083GR	2
-------------------------------	------------------------	----------------	---

COIL SPRINGS

	Est. Lift	Additional Load		
Medium - 4 Cyl Carb	35mm	0 - 50kg	SUZ005B	1
Medium - V6 / 4 Cyl Inj	35mm	0 - 50kg	SUZ015B	1
Medium - XL7	35mm	0 - 50kg	SUZ017B	1

CAMBER CORRECTION

Camber Bolt Kit		ICAMBER12	1
-----------------	--	------------------	---

REAR SUSPENSION

SHOCK ABSORBER

Nitro Gas - Performance	SWB	12089GR	2
-------------------------	-----	----------------	---

Nitro Gas - Performance	LWB	12658GR	2
-------------------------	-----	----------------	---

COIL SPRINGS

	Est. Lift	Additional Load		
Medium - SWB	35mm	0 - 200kg	SUZ013B	1
Medium - LWB	35mm	0 - 200kg	SUZ016B	1
Medium - XL7	35mm	0 - 200kg	SUZ018B	1

SUSPENSION KIT - Specify Front Coil Springs When Ordering

Medium - Nitro Gas	SWB	SUZ013BKG
--------------------	-----	------------------

Medium - Nitro Gas	LWB	SUZ016BKG
--------------------	-----	------------------

Medium - Nitro Gas	XL7	SUZ018BKG
--------------------	-----	------------------

- SWB suits short wheel base vehicles

- LWB Suits long wheel base vehicles

SUSPENSION KIT CONTENTS

Shock Absorbers

Strut Shock Absorbers

Coil Springs

Camber Correction

Suzuki Vitara

1988+



Product Description

Part No.

Qty
Req

Please check vehicle date range (if shown) next to product description prior to ordering

SUSPENSION TO SUIT SUZUKI VITARA - 1988+

FRONT SUSPENSION

SHOCK ABSORBER

Nitro Gas Strut - Performance	Full replacement strut	12083GR	2
-------------------------------	------------------------	----------------	---

COIL SPRINGS

	Est. Lift	Additional Load		
Medium - SWB	35mm	0 - 50kg	SUZ003B	1
Medium - LWB	35mm	0 - 50kg	SUZ005B	1

CAMBER CORRECTION

Camber Bolt Kit	ICAMBER12	1
-----------------	------------------	---

REAR SUSPENSION

SHOCK ABSORBER

Nitro Gas - Performance	SWB	12089GR	2
-------------------------	-----	----------------	---

Nitro Gas - Performance	LWB	12658GR	2
-------------------------	-----	----------------	---

COIL SPRINGS

	Est. Lift	Additional Load		
Medium - SWB	35mm	0 - 200kg	SUZ004B	1
Medium - LWB	35mm	0 - 200kg	SUZ006B	1

SUSPENSION KIT - Specify Front Coil Springs When Ordering

Medium - Nitro Gas	SWB	SUZ003BKG
Medium - Nitro Gas	LWB	SUZ005BKG

- SWB suits short wheel base vehicles
- LWB Suits long wheel base vehicles

SUSPENSION KIT CONTENTS

Shock Absorbers
Coil Springs

Strut Shock Absorbers
Camber Correction

sometimes
the best things in life come in fun size



{ IRONMAN }
4X4

Toyota 4Runner

Gen 5, N280
2009+



Product Description

Part No.

Qty
Req

Please check vehicle date range (if shown) next to product description prior to ordering

ACCESSORIES TO SUIT TOYOTA 4RUNNER - 2009+

STEEL WINCH BULL BARS

Raid Stubby Bumper - Not Available in Australia

BBR078

75W Bright Sabre Single Row Lightbar 524mm (20") Straight

ILBSR003BW

1

• *Raid Bull Bars are compatible with IRONMAN 4X4 Lightbars and 20W or 40W Cube Lights, refer page 29-33 for available options*

STEEL SIDE STEPS

Raid Rock Slider

SS078

TOWING

Raid Rear Bumper

RTB078

• *Raid Rear Bars are compatible with IRONMAN 4X4 20W Cube Lights, refer page 32 for available options*

PREMIUM UNDERBODY PROTECTION

Engine Bay and Transmission for models without KDSS

UBP047

BREATHER KIT

Universal Twin Manifold Filtered Breather Kit

IDIFFBRE

Toyota 4Runner

Gen 4 and 5, N210-N280
2003+



Product Description

Part No.

Qty Req

Please check vehicle date range (if shown) next to product description prior to ordering

SUSPENSION TO SUIT TOYOTA 4RUNNER - 2003+

FRONT SUSPENSION

SHOCK ABSORBER

Nitro Gas Strut - Performance			12710GR	2
Foam Cell Strut - Performance			24710FE	2
Foam Cell Pro Strut - Performance			45710FE	2

COIL SPRINGS

	Est. Lift	Additional Load		
Light	30mm	0 - 50kg	TOY055B	1
Medium	45mm	0 - 50kg	TOY065B	1
Heavy	45mm	50 - 110kg	TOY065C	1

STRUT MOUNTS

Steel Strut Top			ISST001	2
-----------------	--	--	----------------	---

TRIM PACKERS

5mm Strut Trim Packer	Nitro Gas / Foam Cell		HILFR05/HILFR05F	2
10mm Strut Trim Packer	Nitro Gas / Foam Cell		HILFR10/HILFR10F	2
15mm Strut Trim Packer	Nitro Gas / Foam Cell		HILFR15/HILFR15F	2

• ONLY Compatible with IRONMAN 4X4 Struts (except Pro), lift height subject to 2:1 motion ratio. Unnecessary fitment may lift vehicle too high

CONTROL ARMS

Pro-Forge Upper Control Arms			UCA002FA-B	1
------------------------------	--	--	-------------------	---

SPACER KIT

Sway Bar Spacer			1198K	1
Offset Sway Bar Bracket			1209K	1

REAR SUSPENSION

SHOCK ABSORBER

Nitro Gas - Comfort			12682GRC	2
Nitro Gas - Professional			12682GRP	2
Foam Cell - Comfort			24682FEC	2
Foam Cell - Professional			24682FEP	2
Foam Cell Pro - Comfort			45682FEC	2
Foam Cell Pro - Professional			45682FEP	2

COIL SPRINGS

	Est. Lift	Additional Load		
Light	30mm	0 - 300kg	TOY056A	1
Medium	45mm	0 - 300kg	TOY056B	1
Heavy	45mm	300kg - GVM	TOY056C	1
Air Bag Delete Kit			1218ADK	1

COIL SPACER

Polyurethane 20mm			LCPR20	2
Polyurethane 25mm			LCPR25	2

PANHARD ROD

Adjustable Panhard Rod			PANHARD015	1
------------------------	--	--	-------------------	---

SWAY BAR LINK

Extended Sway Bar Link			SBEXT006	2
KDSS Spacer Brackets			1220K	1

SUSPENSION KIT - Specify Front Coil Springs When Ordering

Light - Nitro Gas	TOY055AKG
Light - Foam Cell	TOY055AKF
Light - Foam Cell Pro	TOY055AKP
Medium - Nitro Gas	TOY055BKG
Medium - Foam Cell	TOY055BKF
Medium - Foam Cell Pro	TOY055BKP
Heavy - Nitro Gas	TOY055CKG
Heavy - Foam Cell	TOY055CKF
Heavy - Foam Cell Pro	TOY055CKP

SUSPENSION KIT CONTENTS

Shock Absorbers	Strut Shock Absorbers
Coil Springs	Offset Sway Bar Bracket (Pro Kits Only)

Toyota 4Runner

Gen 3 N180-N185
1996 to 2002



Product Description

Part No.

Qty
Req

Please check vehicle date range (if shown) next to product description prior to ordering

SUSPENSION TO SUIT TOYOTA 4RUNNER - 1996-2002

FRONT SUSPENSION

SHOCK ABSORBER

Nitro Gas Strut - Performance			12691GR	2
Foam Cell Strut - Performance			24691FE	2
Foam Cell Pro Strut - Performance			45691FE	2

COIL SPRINGS

	Est. Lift	Additional Load		
Medium	45mm	0 - 50kg	TOY038B	1
Heavy	45mm	50 - 110kg	TOY038C	1

STRUT MOUNTS

Steel Strut Top			ISST001	2
-----------------	--	--	----------------	---

TRIM PACKERS

5mm Strut Trim Packer		Nitro Gas / Foam Cell	HILFR05/HILFR05F	2
10mm Strut Trim Packer		Nitro Gas / Foam Cell	HILFR10/HILFR10F	2
15mm Strut Trim Packer		Nitro Gas / Foam Cell	HILFR15/HILFR15F	2

• ONLY Compatible with IRONMAN 4X4 Struts (except Pro), lift height subject to 2:1 motion ratio. Unnecessary fitment may lift vehicle too high

REAR SUSPENSION

SHOCK ABSORBER

Nitro Gas - Performance			12661GR	2
Foam Cell - Performance			24661FE	2
Foam Cell Pro - Performance			45661FE	2

COIL SPRINGS

	Est. Lift	Additional Load		
Light	30mm	0 - 200kg	TOY039A	1
Medium	45mm	0 - 300kg	TOY039B	1
Heavy	45mm	300kg - GVM	TOY039C	1

COIL SPACER

Polyurethane 20mm			LCF20	2
Polyurethane 30mm			LCF30	2

SUSPENSION KIT - Specify Front Coil Springs When Ordering

Light - Nitro Gas	TOY038AKG
Light - Foam Cell	TOY038AKF
Light - Foam Cell Pro	TOY038AKP
Medium - Nitro Gas	TOY038BKG
Medium - Foam Cell	TOY038BKF
Medium - Foam Cell Pro	TOY038BKP
Heavy - Nitro Gas	TOY038BKG1
Heavy - Foam Cell	TOY038BKF1
Heavy - Foam Cell Pro	TOY038BKP1

SUSPENSION KIT CONTENTS

Shock Absorbers
Coil Springs

Strut Shock Absorbers



Gen 2 Surf, N130 V6 (Coil)
1990 to 1997

SUSPENSION TO SUIT

Toyota 4Runner

Product Description

Part No.

Qty
Req

Please check vehicle date range (if shown) next to product description prior to ordering

SUSPENSION TO SUIT TOYOTA 4RUNNER - 1990-1997

FRONT SUSPENSION

SHOCK ABSORBER

Nitro Gas - Performance	12088GR	2
Foam Cell - Performance	24088FE	2

TORSION BAR

Uprated Torsion Bars	TOY026	1
----------------------	--------	---

• Minimum 60mm downward suspension travel required after adjustment.

STEERING DAMPER

Foam Cell	3533	1
-----------	------	---

REAR SUSPENSION

SHOCK ABSORBER

Nitro Gas - Comfort	12637GRC	2
Nitro Gas - Performance	12637GR	2
Foam Cell - Comfort	24637FEC	2
Foam Cell - Performance	24637FE	2

COIL SPRINGS

	Est. Lift	Additional Load		
Medium	45mm	0 -200kg	TOY023B	1
Heavy	45mm	200kg - GVM	TOY023C	1

SUSPENSION KIT

Medium - Nitro Gas	TOY023BKG
Medium - Foam Cell	TOY023BKF
Heavy - Nitro Gas	TOY023CKG
Heavy - Foam Cell	TOY023CKF

SUSPENSION KIT CONTENTS

Shock Absorbers	Torsion Bars
Coil Springs	



On the road again

{IRONMAN}
4X4



Gen 1, N60 (Leaf)
1988 to 1997

SUSPENSION TO SUIT

Toyota 4Runner

Product Description

Part No.

Qty
Req

Please check vehicle date range (if shown) next to product description prior to ordering

SUSPENSION TO SUIT TOYOTA 4RUNNER - 1988-1997

FRONT SUSPENSION

SHOCK ABSORBER

Nitro Gas - Performance	12088GR	2
Foam Cell - Performance	24088FE	2

TORSION BAR

Uprated Torsion Bars	TOY026	1
----------------------	--------	---

• Minimum 60mm downward suspension travel required after adjustment

STEERING DAMPER

Foam Cell	3533	1
-----------	------	---

REAR SUSPENSION

SHOCK ABSORBER

Nitro Gas - Comfort	12650GRC	2
Nitro Gas - Performance	12650GR	2
Foam Cell - Comfort	24650FEC	2
Foam Cell - Performance	24650FE	2
Foam Cell - Professional	24650FEP	2

LEAF SPRINGS

	Est. Lift	Additional Load		
Medium	50mm	0 -300kg	TOY011B	2
Heavy	50mm	300kg - GVM	TOY011C	2

• 1200mm Leaf Length

U-BOLTS

U-Bolt Kit	437UBK	2
------------	--------	---

POLYURETHANE SPRING BUSHES

Bush Kit	733UK	1
----------	-------	---

GREASABLE SHACKLES AND PINS

Greasable Shackle	Straight Shackle	386	2
Greasable Shackle	Straight Shackle Extended 5mm	386-2	2
Greasable Pin		385	2

HELPER SPRINGS

Load Plus Helper Springs	LP2	1
Add-A-Leaf	ISL6010	1

SUSPENSION KIT

Medium - Nitro Gas	TOY011BKG
Medium - Foam Cell	TOY011BKF
Heavy - Nitro Gas	TOY011CKG
Heavy - Foam Cell	TOY011CKF

SUSPENSION KIT CONTENTS

Shock Absorbers	Torsion Bars	Polyurethane Spring Bushes
Leaf Springs	U-Bolts	

Toyota FJ Cruiser

2006+



Product Description

Part No.

Qty
Req

Please check vehicle date range (if shown) next to product description prior to ordering

ACCESSORIES TO SUIT TOYOTA FJ CRUISER - 2006+

STEEL WINCH BULL BARS

Deluxe Bull Bar

BBCD037

PREMIUM UNDERBODY PROTECTION

Engine Bay and Transmission

UBP047

BREATHER KIT

Universal Twin Manifold Filtered Breather Kit

IDIFFBRE



2006+

Toyota FJ Cruiser

Product Description

Part No.

Qty
Req

Please check vehicle date range (if shown) next to product description prior to ordering

SUSPENSION TO SUIT TOYOTA FJ CRUISER - 2006+

FRONT SUSPENSION

SHOCK ABSORBER

Nitro Gas Strut - Performance			12710GR	2
Foam Cell Strut - Performance			24710FE	2
Foam Cell Pro Strut - Performance			45710FE	2

• Foam Cell Pro, must fit 1198K spacer for Sway Bar clearance

COIL SPRINGS

	Est. Lift	Additional Load		
Light	30mm	0 - 50kg	TOY055A	1
Medium	45mm	0 - 50kg	TOY055B	1
Heavy	45mm	50 - 110kg	TOY055C	1

STRUT MOUNTS

Steel Strut Top			ISST001	2
-----------------	--	--	----------------	---

TRIM PACKERS

5mm Strut Trim Packer	Nitro Gas / Foam Cell		HILFR05/HILFR05F	2
10mm Strut Trim Packer	Nitro Gas / Foam Cell		HILFR10/HILFR10F	2
15mm Strut Trim Packer	Nitro Gas / Foam Cell		HILFR15/HILFR15F	2

• ONLY Compatible with IRONMAN 4X4 Struts (except Pro), lift height subject to 2:1 motion ratio. Unnecessary fitment may lift vehicle too high

CONTROL ARMS

Pro-Forge Upper Control Arms			UCA002FA-B	1
------------------------------	--	--	-------------------	---

SPACER KIT

Sway Bar Spacer			1198K	1
Offset Sway Bar Bracket			1209K	1

REAR SUSPENSION

SHOCK ABSORBER

Nitro Gas - Comfort			12682GRC	2
Nitro Gas - Performance			12682GR	2
Nitro Gas - Professional			12682GRP	2
Foam Cell - Comfort			24682FEC	2
Foam Cell - Performance			24682FE	2
Foam Cell - Professional			24682FEP	2
Foam Cell Pro - Comfort			45682FEC	2
Foam Cell Pro - Performance			45682FE	2
Foam Cell Pro - Professional			45682FEP	2

COIL SPRINGS

	Est. Lift	Additional Load		
Light	40mm	0 - 300kg	TOY056A	1
Medium	50mm	0 - 300kg	TOY056B	1
Heavy	50mm	300kg - GVM	TOY069B	1

PANHARD ROD

Adjustable Panhard Rod			PANHARD015	1
------------------------	--	--	-------------------	---

SWAY BAR LINK

Extended Sway Bar Link			SBEXT006	2
------------------------	--	--	-----------------	---

BUMP STOP

Internal Rubber Cone			1218R	2
----------------------	--	--	--------------	---

SUSPENSION KIT - Specify Front Coil Springs When Ordering

Light - Nitro Gas	TOY055AKG
Light - Foam Cell	TOY055AKF
Light - Foam Cell Pro	TOY055AKP
Medium - Nitro Gas	TOY055BKG
Medium - Foam Cell	TOY055BKF
Medium - Foam Cell Pro	TOY055BKP
Heavy - Nitro Gas	TOY055CKG
Heavy - Foam Cell	TOY055CKF
Heavy - Foam Cell Pro	TOY055CKP

SUSPENSION KIT CONTENTS

Shock Absorbers	Strut Shock Absorbers
Coil Springs	Offset Sway Bar Bracket (Pro Kits Only)

Toyota Fortuner

2015 to 9/2020
(Facelift) 2020+



Product Description

Part No.

Qty
Req

Please check vehicle date range (if shown) next to product description prior to ordering

ACCESSORIES TO SUIT TOYOTA FORTUNER - 2015+

STEEL WINCH BULL BARS

Deluxe Bull Bar - (2015 to 2/2020 Only)	BBCD053
Deluxe Bull Bar - (2020+ facelift Only)	BBCD081
Proguard No Loop Bull Bar - (2015 to 2/2020 Only)	BBT053-NL
Proguard No Loop Bull Bar - (2020+ facelift Only)	BBT081-NL
Proguard Single Loop Kit - (2015 to 2/2020 Only)	BB053-SL
Proguard Single Loop Kit - (2020+ facelift Only)	BB081-SL
Proguard Triple Loop Kit - (2015 to 2/2020 Only)	BB053-TL
Proguard Triple Loop Kit - (2020+ facelift Only)	BB081-TL

STEEL SIDE STEPS AND RAILS

Side Steps - Dimple Step Design	SS053-D
Side Rails	SS053 RAIL
Side Steps and Rails - Dimple Step Design	SSR053-D

RECOVERY POINTS - IRONMAN 4X4 BULL BAR ONLY

Recovery Points - 5000kg Rating (Pair)	IRP051
--	--------

PREMIUM UNDERBODY PROTECTION

Engine Bay and Transmission	UBP051
-----------------------------	--------

SNORKEL

2015 to 9/2020 models only - (Not suitable for 2020+ facelift)	ISNORKEL053
--	-------------

BREATHER KIT

Universal Twin Manifold Filtered Breather Kit	IDIFFBRE
---	----------

Toyota Fortuner

2015+

Product Description

Part No.

Qty
Req

Please check vehicle date range (if shown) next to product description prior to ordering

SUSPENSION TO SUIT TOYOTA FORTUNER - 2015+

FRONT SUSPENSION

SHOCK ABSORBER

Nitro Gas Strut - Performance			12730GR	2
Foam Cell Strut - Performance			24730FE	2
Foam Cell Pro Strut - Performance			45730FE	2

• Operating clearance to sway bar can be increased by installing 1210K offset sway bar bracket

COIL SPRINGS

	Est. Lift	Additional Load		
Medium	30mm	0 - 50kg	TOY055A	1
Heavy	40mm	50 - 110kg	TOY055B	1

STRUT MOUNTS

Steel Strut Top			ISST001	2
-----------------	--	--	----------------	---

TRIM PACKERS

5mm Strut Trim Packer	Nitro Gas / Foam Cell		HILFR05/HILFR05F	2
10mm Strut Trim Packer	Nitro Gas / Foam Cell		HILFR10/HILFR10F	2
15mm Strut Trim Packer	Nitro Gas / Foam Cell		HILFR15/HILFR15F	2

• ONLY Compatible with IRONMAN 4X4 Struts (except Pro), lift height subject to 2:1 motion ratio. Unnecessary fitment may lift vehicle too high

CONTROL ARMS

Pro-Forge Upper Control Arms			UCA001FA-B	1
------------------------------	--	--	-------------------	---

SWAY BAR

Offset Sway Bar Bracket			1210K	1
-------------------------	--	--	--------------	---

REAR SUSPENSION

SHOCK ABSORBER

Nitro Gas - Comfort			12743GRC	2
Nitro Gas - Performance			12743GR	2
Foam Cell - Comfort			24743FEC	2
Foam Cell - Performance			24743FE	2
Foam Cell Pro - Comfort			45743FEC	2
Foam Cell Pro - Performance			45743FE	2

COIL SPRINGS

	Est. Lift	Additional Load		
Standard	0mm	0 - 200kg	TOY017S	1
Medium	30mm	0 - 200kg	TOY017A	1
Heavy	40mm	100 - 300kg	TOY017B	1

• Possible driveline vibration may occur, use 1192K Centre Bearing Spacer Kit

SPACER KIT

Centre Bearing Spacer Kit			1192K	1
---------------------------	--	--	--------------	---

SUSPENSION KIT - Specify Front Coil Springs When Ordering

Medium - Nitro Gas	TOY017AKG1
Medium - Foam Cell	TOY017AKF1
Medium - Foam Cell Pro	TOY017AKP1
Heavy - Nitro Gas	TOY017BKG1
Heavy - Foam Cell	TOY017BKF1
Heavy - Foam Cell Pro	TOY017BKP1

• Possible driveline vibration may occur if raised above 40mm

SUSPENSION KIT CONTENTS

Shock Absorbers	Strut Shock Absorbers	Offset Sway Bar Bracket (Pro Kits Only)
Coil Springs	Centre Bearing Spacer Kit	

Toyota Fortuner

2004 to 2015



Product Description

Part No.

Qty
Req

Please check vehicle date range (if shown) next to product description prior to ordering

SUSPENSION TO SUIT TOYOTA FORTUNER - 2004-2015

FRONT SUSPENSION

SHOCK ABSORBER

Nitro Gas Strut - Performance			12710GR	2
Foam Cell Strut - Performance			24710FE	2
Foam Cell Pro Strut - Performance			45710FE	2

• Foam Cell Pro, must fit 1198K spacer for Sway Bar clearance

COIL SPRINGS

	Est. Lift	Additional Load		
Standard	0mm	0 - 50kg	TOY038B	1
Medium	45mm	0 - 50kg	TOY055A	1
Heavy	45mm	50 - 110kg	TOY055B	1

STRUT MOUNTS

Steel Strut Top			ISST001	2
-----------------	--	--	----------------	---

TRIM PACKERS

5mm Strut Trim Packer	Nitro Gas / Foam Cell	HILFR05/HILFR05F	2
10mm Strut Trim Packer	Nitro Gas / Foam Cell	HILFR10/HILFR10F	2
15mm Strut Trim Packer	Nitro Gas / Foam Cell	HILFR15/HILFR15F	2

• ONLY Compatible with IRONMAN 4X4 Struts (except Pro), lift height subject to 2:1 motion ratio. Unnecessary fitment may lift vehicle too high

CONTROL ARMS

Pro-Forge Upper Control Arms			UCA001FA-B	1
------------------------------	--	--	-------------------	---

SPACER KIT

Sway Bar Spacer			1198K	1
-----------------	--	--	--------------	---

REAR SUSPENSION

SHOCK ABSORBER

Nitro Gas - Comfort			12743GRC	2
Nitro Gas - Performance			12743GR	2
Foam Cell - Comfort			24743FEC	2
Foam Cell - Performance			24743FE	2
Foam Cell Pro - Comfort			45743FEC	2
Foam Cell Pro - Performance			45743FE	2

COIL SPRINGS

	Est. Lift	Additional Load		
Standard	0mm	0 - 200kg	TOY017S	1
Light	40mm	0 - 200kg	TOY017A	1
Medium	45mm	0 - 300kg	TOY017B	1

SPACER KIT

Centre Bearing Spacer Kit			1192K	1
---------------------------	--	--	--------------	---

SUSPENSION KIT - Specify Front Coil Springs When Ordering

Standard - Nitro Gas	TOY017SKG
Standard - Foam Cell	TOY017SKF
Standard - Foam Cell Pro	TOY017SKP
Light - Nitro Gas	TOY017AKG
Light - Foam Cell	TOY017AKF
Light - Foam Cell Pro	TOY017AKP
Medium - Nitro Gas	TOY017BKG
Medium - Foam Cell	TOY017BKF
Medium - Foam Cell Pro	TOY017BKP

SUSPENSION KIT CONTENTS

Shock Absorbers	Strut Shock Absorbers
Coil Springs	Sway Bar Spacer (Pro Kits Only)



Series 300
2019+

SUSPENSION TO SUIT

Toyota Hiace

Product Description

Part No.

Qty
Req

Please check vehicle date range (if shown) next to product description prior to ordering

SUSPENSION TO SUIT TOYOTA HIACE - 2019+

FRONT SUSPENSION

SHOCK ABSORBER

Foam Cell Strut - Performance	Left Hand Side		24840FELH	1
Foam Cell - Performance	Right Hand Side		24840FERH	1

COIL SPRINGS

	Est. Lift	Additional Load		
Medium	40mm	0 - 50kg	TOY072B	1

REAR SUSPENSION

SHOCK ABSORBER

Foam Cell - Comfort			24842FEC	2
Foam Cell - Performance			24842FE	2

LEAF SPRINGS

	Est. Lift	Additional Load		
Medium - (Single Stage Parabolic)	45mm	0 - 300kg	TOY073B	2
Heavy - (Dual Stage Parabolic)	45mm	300kg - GVM	TOY073C	2

U-BOLTS

U-Bolt Kit			1106UBK	2
------------	--	--	----------------	---

POLYURETHANE SPRING BUSHES

Bush Kit			1154UK	1
----------	--	--	---------------	---

SUSPENSION KIT

Medium - Foam Cell	TOY074BKF
Heavy - Foam Cell	TOY074CKF

SUSPENSION KIT CONTENTS

Shock Absorbers	Coil Springs	U-Bolts
Strut Shock Absorbers	Leaf Springs	Polyurethane Spring Bushes

Toyota Hiace

Series 200
2005 to 2019



Product Description

Part No.

Qty
Req

Please check vehicle date range (if shown) next to product description prior to ordering

SUSPENSION TO SUIT TOYOTA HIACE - 2005-2019

FRONT SUSPENSION

SHOCK ABSORBER

Nitro Gas - Performance	12667GR	2
Foam Cell - Performance	24667FE	2

TORSION BAR

Up-rated Torsion Bars	TOY042	1
-----------------------	---------------	---

• Minimum 60mm downward suspension travel required after adjustment

REAR SUSPENSION

SHOCK ABSORBER

Nitro Gas - Comfort	12805GRC	2
Nitro Gas - Performance	12805GR	2
Foam Cell - Performance	24805FE	2

LEAF SPRINGS

	Est. Lift	Additional Load		
Heavy	40mm	400kg - GVM	TOY044C	2

U-BOLTS

U-Bolt Kit	415UBK	2
------------	---------------	---

POLYURETHANE SPRING BUSHES

Bush Kit	728UKL	1
----------	---------------	---

HELPER SPRINGS

Load Plus Helper Springs	LP3	1
Add-A-Leaf	ISL6010	1

SUSPENSION KIT

Heavy - Nitro Gas	TOY044CKG
Heavy - Foam Cell	TOY044CKF

SUSPENSION KIT CONTENTS

Shock Absorbers	Torsion Bars	Polyurethane Spring Bushes
Leaf Springs	U-Bolts	



Life's a Beach

{IRONMAN}
4X4

Toyota Hilux

GR Sport 01/2023+
Rogue Wide Body 8/2022+



Product Description

Part No.

Qty
Req

Please check vehicle date range (if shown) next to product description prior to ordering

ACCESSORIES TO SUIT TOYOTA HILUX ROGUE - 2022+ / GR SPORT 2023+

STEEL WINCH BULL BARS

Deluxe Bull Bar - (Rogue only)	BBCD099	
Raid Bull Bar - Includes Integrated Recovery Points - (Rogue only)	BBR099	
Raid Bull Bar Kit* - (Rogue only)	BBR099K	
Raid Bull Bar - Includes Integrated Recovery Points - (GR Sport only)	BBR118	
Raid Bull Bar Kit* - (GR Sport only)	BBR118K	
Driving Light / Lightbar Patch Loom	IPLS076	
120W Bright Sabre Single Row Lightbar 812mm (32") Straight to suit Raid Bull Bar	ILBSR002BW	1

* Raid Bull Bars are compatible with IRONMAN 4X4 Lightbars and 20W Cube Lights, refer page 29-33 for available options

STEEL SIDE STEPS AND RAILS - DUAL CAB MODELS ONLY

Side Steps - Dimple Step Design	SS051-D
Side Rails	SS051 RAIL
Side Steps and Rails - Dimple Step Design	SSR051-D

SNORKEL

2.8L Turbo Diesel	ISNORKEL051
-------------------	-------------

PREMIUM UNDERBODY PROTECTION

Engine Bay and Transmission	UBP051
-----------------------------	--------

CANOPY - PINNACLE 2 SMOOTH FINISH FIBREGLASS (SIDE LIFT UP WINDOWS AND CENTRAL LOCKING REAR DOOR) - FITS 4X4 AND 4X2 DUAL CAB MODELS

A DECK

Pre-Primed	ICANOPY051-P
Super White (040)	ICANOPY051-SW
Silver Metallic / Silver Sky (1D6)	ICANOPY051-SM
Attitude Black (218)	ICANOPY051-AB
Dark Grey (1G3)	ICANOPY051-DG

* Pre-primed canopies, plus colour coding.

SLIDE-AWAY ROLL UP HARD TONNEAU COVER

Electric with Remote Control*	ISLIDEAWAY051-E
Manual Operation*	ISLIDEAWAY051-M

* Suits A Deck models only

ATLAS DUAL CAB ROOF RACK KITS

Platform A with Blade Fit Kit (Dual Cab Only) - 1530mm Length	IFR065PAK
Crossbar (x 2) and Fit Kit (Dual Cab) - 1250mm Width	IFR065C2K

* See Page 38-41 for more Atlas rack, crossbar and accessory options.

FLOOR MATS

Moulded Fit TPO Floor Mats - Front and Rear Set	FLMT051-RHD-2ROW
---	------------------

SEAT COVER

Airbag Compatible Fabric Seat Covers - Front	SC065-CC-1R-A
Airbag Compatible Fabric Seat Covers - Rear	SC065-CC-2R-A

SUN SHADE

Vehicle Specific Sun Screen Shade - Front	SUNSHD051
---	-----------

BREATHER KIT

Universal Twin Manifold Filtered Breather Kit	IDIFFBRE
---	----------

BULL BAR KIT* CONTENTS

Raid Bull Bar (Rogue)	Patch Loom	Driving Light Loom	Cube Light Adaptor	Lightbar	Cube Lights (4)
Raid Bull Bar (GR Sport)	Patch Loom	Driving Light Loom	Cube Light Adaptor	Lightbar	Cube Lights (4)



HILUX
ROGUE

SUSPENSION TO SUIT
CURRENTLY IN DEVELOPMENT

Toyota Hilux

2024+ (Facelift)
8/2020 to 2023



Product Description

Part No.

Qty Req

Please check vehicle date range (if shown) next to product description prior to ordering

ACCESSORIES TO SUIT TOYOTA HILUX - 8/2020+

STEEL WINCH BULL BARS

Commercial Bull Bar - Narrow body Hilux WorkMate Aus and NZ only (1780mm Width)	BBC065-NB	
Deluxe Bull Bar - Standard body width (1860mm Width) - (8/2020+)	BBCD076	
Deluxe Bull Bar - Narrow body Hilux all regions excluding Aus and NZ (1780mm Width)	BBCD076-NB	
Apex Bull Bar - 60.3mm Tube - (8/2020+)	BBP076C	
Raid Bull Bar - Includes Integrated Recovery Points - (8/2020-2023 only)	BBR076	
Raid Bull Bar Kit* - (8/2020-2023 only)	BBR076K	
Proguard No Loop Bull Bar - Standard body width (1860mm Width)	BBT076-NL	
Proguard Single Loop Kit	BB076-SL	
Proguard Triple Loop Kit	BB076-TL	
Bull Bar Multi-Function Light Patch Loom	IBBPL076	
Bull Bar Multi-Function Light Patch Loom - Low Spec	IBBPL076L	
Driving Light / Lightbar Patch Loom	IPLS076	
Driving Light / Lightbar Patch Loom- Low Spec	IPLS076L	
Driving Light / Lightbar Patch Loom (LED Headlights Only) - <i>While Stocks Last</i>	IPL065	
120W Bright Sabre Single Row Lightbar 812mm (32") Straight to suit Raid Bull Bar	ILBSR002BW	1

- *Raid Bull Bars are compatible with IRONMAN 4X4 Lightbars and 20W Cube Lights, refer page 29-33 for available options*
- *Apex Bull Bars are compatible with IRONMAN 4X4 Lightbars and 20W or 40W Cube Lights, refer page 29-33 for available options*
- *Winch with Steel Cable and Roller Fairlead is not suitable with BBCD076 or BBT076 - Use Winch with Synthetic Rope and Alloy Hawse only*
- *Standard body width - 1860mm*
- *Narrow body width - 1780mm*

STEEL SIDE STEPS AND RAILS - DUAL CAB MODELS ONLY

Side Steps - Dimple Step Design	SS051-D	
Side Rails	SS051 RAIL	
Side Steps and Rails - Dimple Step Design	SSR051-D	

TOWING

Class 4 Towbar - Compatible with Factory Rear Bumper	TB051	
Rear Protection Towbar - Full Rear Bumper Replacement - With Side Tubes	RTB051-SP	
Rear Protection Towbar - Full Rear Bumper Replacement - Suits Cross Traffic Radar Models	RTB051-SPR	
Rear Protection Towbar Plates (Pair)	RTBPLATE001	
Towbar Wiring Loom - Plug and Play	ITBL076	

RECOVERY POINTS - IRONMAN 4X4 BULL BAR ONLY

Recovery Points (Pair)	IRP051	
------------------------	--------	--

SNORKEL

2.8L Turbo Diesel	ISNORKEL051	
Narrow Body Model	ISNORKEL076N	

LONG RANGE FUEL TANK

135L* - 2.8L Diesel 4WD Dual Cab	TANK051	
----------------------------------	---------	--

* Usable volume may differ to the stated tank capacity

PREMIUM UNDERBODY PROTECTION

Engine Bay and Transmission	UBP051	
-----------------------------	--------	--



8/2020 to 2023

Toyota Hilux

Product Description

Part No.

Qty
Req

Please check vehicle date range (if shown) next to product description prior to ordering

CANOPY - PINNACLE SMOOTH FINISH FIBREGLASS (SIDE LIFT UP WINDOWS AND CENTRAL LOCKING REAR DOOR) - FITS 4X4 AND 4X2 DUAL CAB MODELS

A DECK

Super White (040)	CANFIBRE051-SW
Silver Metallic / Silver Sky (1D6)	CANFIBRE051-SM
Attitude Black (218)	CANFIBRE051-AB
Dark Grey (1G3)	CANFIBRE051-DG

• Fits A Deck 4x4 and 4x2 Dual Cab models

CANOPY - PINNACLE 2 SMOOTH FINISH FIBREGLASS (SIDE LIFT UP WINDOWS AND CENTRAL LOCKING REAR DOOR) - FITS 4X4 AND 4X2 DUAL CAB MODELS

A DECK

Pre-Primed	ICANOPY051-P
Super White (040)	ICANOPY051-SW
Silver Metallic / Silver Sky (1D6)	ICANOPY051-SM
Attitude Black (218)	ICANOPY051-AB
Dark Grey (1G3)	ICANOPY051-DG

* Pre-primed canopies, plus colour coding.

SLIDE-AWAY ROLL UP HARD TONNEAU COVER

Electric with Remote Control*	ISLIDEAWAY051-E
Electric with Remote Control - J Deck	ISLIDEAWAY051JD-E
Manual Operation*	ISLIDEAWAY051-M
Manual Operation - J Deck	ISLIDEAWAY051JD-M
Sports Bar Adaptor (SR5 Sports Bar only)	ISLIDEAWAY051-SBA

* Suits A Deck models only

ATLAS DUAL CAB ROOF RACK KITS

Platform A with Blade Fit Kit (Dual Cab Only) - 1530mm Length	IFR065PAK
Crossbar (x 2) and Fit Kit (Dual Cab) - 1250mm Width	IFR065C2K
Platform K with Leg Fit Kit to Suit Pinnacle 2 Canopy - 1390mm Length	IFRP2PKK
Crossbar (x 2) and Fit Kit to Suit Pinnacle 2 Canopy - 1250mm Width	IFRP2C125K
Platform G with Blade Fit Kit to Suit Slideaway Hard Tonneau Cover - 1390mm Length	IFRSLDAWAYPGK
Crossbar (x 2) and Fit Kit to Suit Slideaway Hard Tonneau Cover - 1650mm Width	IFRSLDAWAYC2K

• See Page 38-41 for more Atlas rack, crossbar and accessory options.

FENDER FLARE KITS

Matte Black Smooth Finish 6" (Suits Dual Cab)	IFF6076
---	---------

• Some flares may not be compatible if side rails/brush bars are fitted. Some flares may require slight trimming if snorkel is installed.

FLOOR MATS

Moulded Fit TPO Floor Mats - Front and Rear Set	FLMT051-RHD-2ROW
---	------------------

SEAT COVER

Airbag Compatible Fabric Seat Covers - Front	SC065-CC-1R-A
Airbag Compatible Fabric Seat Covers - Rear	SC065-CC-2R-A

SUN SHADE

Vehicle Specific Sun Screen Shade - Front	SUNSHD051
---	-----------

BREATHER KIT

Universal Twin Manifold Filtered Breather Kit	IDIFFBRE
---	----------

BULL BAR KIT* CONTENTS

Raid Bull Bar	Patch Loom	Driving Light Loom	Cube Light Adaptor	Lightbar	Cube Lights (4)
---------------	------------	--------------------	--------------------	----------	-----------------



Toyota Hilux

2024+ (Facelift)
8/2020 to 2023



Product Description

Part No.

Qty
Req

Please check vehicle date range (if shown) next to product description prior to ordering

SUSPENSION TO SUIT TOYOTA HILUX - 8/2020+

FRONT SUSPENSION

SHOCK ABSORBER

Nitro Gas Strut - Performance			12730GR	2
Foam Cell Strut - Performance			24730FE	2
Foam Cell Pro Strut - Performance			45730FE	2

• Operating clearance to sway bar can be increased by installing 1210K offset sway bar bracket

COIL SPRINGS

	Est. Lift	Additional Load		
Standard	0mm	0 - 50kg	TOY055A	1
Light	20mm	0 - 50kg	TOY055B	1
Light	45mm	0 - 50kg	TOY065A	1
Medium	30mm	0 - 50kg	TOY055C	1
Medium - with Accessories	45mm	0 - 50kg	TOY065B	1
Heavy	45mm	50 - 110kg	TOY065C	1

STRUT MOUNTS

Steel Strut Top			ISST001	2
-----------------	--	--	----------------	---

TRIM PACKERS

5mm Strut Trim Packer	Nitro Gas / Foam Cell		HILFR05/HILFR05F	2
10mm Strut Trim Packer	Nitro Gas / Foam Cell		HILFR10/HILFR10F	2
15mm Strut Trim Packer	Nitro Gas / Foam Cell		HILFR15/HILFR15F	2

• ONLY Compatible with IRONMAN 4X4 Struts (except Pro), lift height subject to 2:1 motion ratio. Unnecessary fitment may lift vehicle too high

CONTROL ARMS

Pro-Forge Upper Control Arms			UCA001FA-B	1
------------------------------	--	--	-------------------	---

SWAY BAR

33mm Sway Bar			ISB80F	1
Offset Sway Bar Bracket			1210K	1

REAR SUSPENSION

SHOCK ABSORBER

Nitro Gas - Comfort			12081GRC	2
Nitro Gas - Performance			12081GR	2
Foam Cell - Comfort			24081FEC	2
Foam Cell - Performance			24081FE	2
Foam Cell - Professional			24081FEP	2
Foam Cell Pro - Comfort			45081FEC	2
Foam Cell Pro - Performance			45081FE	2
Foam Cell Pro - Professional			45081FEP	2

LEAF SPRINGS

	Est. Lift	Additional Load		
Light	40mm	0 - 100kg	TOY077A	2
Medium	45mm	0 - 200kg	TOY077B	2
Heavy	45mm	200 - 400kg	TOY077C	2
Extra Heavy	45mm	400kg - GVM	TOY077D	2

• New spring pins 387-1 may be required, as OEM orientation may require cutting for removal

U-BOLTS

U-Bolt Kit			437UBKL	2
------------	--	--	----------------	---

POLYURETHANE SPRING BUSHES

Bush Kit			767UK	1
----------	--	--	--------------	---

SPACER KIT

Centre Bearing Spacer Kit			1192K	1
Headlight Adjustment Leaf Spring Bracket (SR5 Only)			1213K	1

GREASABLE SHACKLES AND PINS

Greasable Shackle			1155	2
Non-Greasable Pin			387-1	2

HELPER SPRINGS

Load Plus Helper Springs			LP2	1
Add-A-Leaf			ISL6010	1



2024+ (Facelift)
8/2020 to 2023

SUSPENSION TO SUIT

Toyota Hilux

Product Description

Part No.

Qty
Req

Please check vehicle date range (if shown) next to product description prior to ordering

SUSPENSION KIT - Specify Front Coil Springs When Ordering

Light - Nitro Gas	TOY077AKG
Light - Foam Cell	TOY077AKF
Light - Foam Cell Pro	TOY077AKP
Medium - Nitro Gas	TOY077BKG
Medium - Foam Cell	TOY077BKF
Medium - Foam Cell Pro	TOY077BKP
Heavy - Nitro Gas	TOY077CKG
Heavy - Foam Cell	TOY077CKF
Heavy - Foam Cell Pro	TOY077CKP
Extra Heavy - Nitro Gas	TOY077DKG
Extra Heavy - Foam Cell	TOY077DKF
Extra Heavy - Foam Cell Pro	TOY077DKP

SUSPENSION KIT CONTENTS

Shock Absorbers	Coil Springs	U-Bolts	Non-Greasable Pins
Strut Shock Absorbers	Leaf Springs	Polyurethane Spring Bushes	Offset Sway Bar Bracket (Pro Kits Only)

OPTIONS AVAILABLE FOR THIS VEHICLE - SEE PAGE 391



Toyota Hilux

Revo
2015 to 4/2018
(Facelift) 5/2018 to 7/2020



Product Description

Part No.

Qty
Req

Please check vehicle date range (if shown) next to product description prior to ordering

ACCESSORIES TO SUIT TOYOTA HILUX - 2015-7/2020

STEEL WINCH BULL BARS SUITS

Commercial Bull Bar - (2015 to 4/2018 Only) *	BBC051 *
Commercial Bull Bar - (5/2018 to 7/2020 Only) *	BBC065 *
Deluxe Bull Bar - (2015 to 4/2018 Only) *	BBCD051 *
Deluxe Bull Bar - (5/2018 to 7/2020 Only) *	BBCD065 *
Proguard No Loop Bull Bar - (2015 to 4/2018 Only) *	BBT051-NL *
Proguard No Loop Bull Bar - (5/2018 to 7/2020 Only) *	BBT065-NL *
Proguard Single Loop Kit - (2015 to 4/2018 Only) *	BB051-SL *
Proguard Single Loop Kit - (5/2018 to 7/2020 Only) *	BB065-SL *
Proguard Triple Loop Kit - (2015 to 4/2018 Only) *	BB051-TL *
Proguard Triple Loop Kit - (5/2018 to 7/2020 Only) *	BB065-TL *

* Winch with Steel Cable and Roller Fairlead is not suitable - Use Winch with Synthetic Rope and Alloy Hawse only

* Suits wide body models only - Hi-Rider - 4x2 SR & SR5 / Dual Cab 4x4 - Workmate, SR & SR5 / Extra Cab 4x4 - Workmate, SR & SR5

STEEL SIDE STEPS AND RAILS - DUAL CAB MODELS ONLY

Side Steps - Dimple Step Design	SS051-D
Side Rails	SS051 RAIL
Side Steps and Rails - Dimple Step Design	SSR051-D

TOWING

Class 4 Towbar - Compatible with Factory Rear Bumper	TB051
Rear Protection Towbar - Full Rear Bumper Replacement* - With Side Tubes	RTB051-SP
Rear Protection Towbar Plates (Pair)	RTBPLATE001
Towbar Wiring Loom - Plug and Play	ITBL051

RECOVERY POINTS - IRONMAN 4X4 BULL BAR ONLY

Recovery Points - 5000kg Rating (Pair)	IRP051
--	--------

SNORKEL

2.8L Turbo Diesel	ISNORKEL051
-------------------	-------------

LONG RANGE FUEL TANK

135L* - 2.8L Diesel 4WD	TANK051
-------------------------	---------

* Usable volume may differ to the stated tank capacity

PREMIUM UNDERBODY PROTECTION

Engine Bay and Transmission	UBP051
-----------------------------	--------



Revo
2015 to 4/2018
(Facelift) 5/2018 to 7/2020

Toyota Hilux

Product Description

Part No.

Qty
Req

Please check vehicle date range (if shown) next to product description prior to ordering

CANOPY - ABS PLASTIC (SIDE LIFT UP WINDOWS AND CENTRAL LOCKING REAR DOOR) - FITS 4X4 AND 4X2 DUAL CAB MODELS

J DECK

Super White (040)

CANOPY017-SW

ABS Canopy Rack Feet

IRRFEETABS14

• See Page 38 for 1.4m Roof Rack options and pricing.

CANOPY - PINNACLE SMOOTH FINISH FIBREGLASS (SIDE LIFT UP WINDOWS AND CENTRAL LOCKING REAR DOOR) - FITS 4X4 AND 4X2 DUAL CAB MODELS

A DECK

Super White (040)

CANFIBRE051-SW

Silver Metallic / Silver Sky (1D6)

CANFIBRE051-SM

Attitude Black (218)

CANFIBRE051-AB

Dark Grey (1G3)

CANFIBRE051-DG

• Fits A Deck 4x4 and 4x2 Dual Cab models

CANOPY - PINNACLE 2 SMOOTH FINISH FIBREGLASS (SIDE LIFT UP WINDOWS AND CENTRAL LOCKING REAR DOOR) - FITS 4X4 AND 4X2 DUAL CAB MODELS

A DECK

Pre-Primed

ICANOPY051-P

Super White (040)

ICANOPY051-SW

Silver Metallic / Silver Sky (1D6)

ICANOPY051-SM

Attitude Black (218)

ICANOPY051-AB

Dark Grey (1G3)

ICANOPY051-DG

* Pre-primed canopies, plus colour coding.

SLIDE-AWAY ROLL UP HARD TONNEAU COVER

Electric with Remote Control*

ISLIDEAWAY051-E

Electric with Remote Control - J Deck

ISLIDEAWAY051JD-E

Manual Operation*

ISLIDEAWAY051-M

Manual Operation - J Deck

ISLIDEAWAY051JD-M

Sports Bar Adaptor

ISLIDEAWAY051-SBA

* Suits A Deck models only

ATLAS DUAL CAB ROOF RACK KITS

Platform A with Blade Fit Kit (Dual Cab Only) - 1530mm Length

IFR065PAK

Crossbar (x 2) and Fit Kit (Dual Cab) - 1250mm Width

IFR065C2K

Platform K with Leg Fit Kit to Suit Pinnacle 2 Canopy - 1390mm Length

IFRP2PKK

Crossbar (x 2) and Fit Kit to Suit Pinnacle 2 Canopy - 1250mm Width

IFRP2C125K

Platform G with Blade Fit Kit to Suit Slideaway Hard Tonneau Cover - 1390mm Length

IFRSLDAWAYPGK

Crossbar (x 2) and Fit Kit to Suit Slideaway Hard Tonneau Cover - 1650mm Width

IFRSLDAWAYC2K

• See Page 38-41 for more Atlas rack, crossbar and accessory options.

FENDER FLARE KITS

Matte Black Smooth Finish 6" (Suits Dual Cab)

IFF6051

• Some flares may not be compatible if side rails/brush bars are fitted. Some flares may require slight trimming if snorkel is installed.

FLOOR MATS

Moulded Fit TPO Floor Mats - Front and Rear Set

FLMT051-RHD-2ROW

SEAT COVER

Airbag Compatible Fabric Seat Covers - Front

SC065-CC-1R-A

Airbag Compatible Fabric Seat Covers - Rear

SC065-CC-2R-A

SUN SHADE

Vehicle Specific Sun Screen Shade - Front

SUNSHD051

BREATHER KIT

Universal Twin Manifold Filtered Breather Kit

IDIFFBRE



Toyota Hilux

Revo
2015 to 4/2018
(Facelift) 5/2018 to 7/2020



Product Description

Part No.

Qty
Req

Please check vehicle date range (if shown) next to product description prior to ordering

SUSPENSION TO SUIT TOYOTA HILUX - 2015-7/2020

FRONT SUSPENSION

SHOCK ABSORBER

Nitro Gas Strut - Performance			12730GR	2
Foam Cell Strut - Performance			24730FE	2
Foam Cell Pro Strut - Performance			45730FE	2

• Operating clearance to sway bar can be increased by installing 1210K offset sway bar bracket

COIL SPRINGS

	Est. Lift	Additional Load		
Standard	0mm	0 - 50kg	TOY055A	1
Light	20mm	0 - 50kg	TOY055B	1
Light	45mm	0 - 50kg	TOY065A	1
Medium	30mm	0 - 50kg	TOY055C	1
Medium - with Accessories	45mm	0 - 50kg	TOY065B	1
Heavy	45mm	50 - 110kg	TOY065C	1

STRUT MOUNTS

Steel Strut Top			ISST001	2
-----------------	--	--	----------------	---

TRIM PACKERS

5mm Strut Trim Packer	Nitro Gas / Foam Cell	HILFR05/HILFR05F	2
10mm Strut Trim Packer	Nitro Gas / Foam Cell	HILFR10/HILFR10F	2
15mm Strut Trim Packer	Nitro Gas / Foam Cell	HILFR15/HILFR15F	2

• ONLY Compatible with IRONMAN 4X4 Struts (except Pro), lift height subject to 2:1 motion ratio. Unnecessary fitment may lift vehicle too high

CONTROL ARMS

Pro-Forge Upper Control Arms			UCA001FA-B	1
------------------------------	--	--	-------------------	---

SWAY BAR

33mm Sway Bar			ISB80F	1
Offset Sway Bar Bracket			1210K	1

REAR SUSPENSION

SHOCK ABSORBER

Nitro Gas - Comfort			12081GRC	2
Nitro Gas - Performance			12081GR	2
Foam Cell - Comfort			24081FEC	2
Foam Cell - Performance			24081FE	2
Foam Cell - Professional			24081FEP	2
Foam Cell Pro - Comfort			45081FEC	2
Foam Cell Pro - Performance			45081FE	2
Foam Cell Pro - Professional			45081FEP	2

LEAF SPRINGS

	Est. Lift	Additional Load		
Light	40mm	0 - 100kg	TOY077A	2
Medium	45mm	0 - 200kg	TOY077B	2
Heavy	45mm	200 - 400kg	TOY077C	2
Extra Heavy	45mm	400kg - GVM	TOY077D	2

• New spring pins 387-1 may be required, as OEM orientation may require cutting for removal

U-BOLTS

U-Bolt Kit			437UBKL	2
------------	--	--	----------------	---

POLYURETHANE SPRING BUSHES

Bush Kit			767UK	1
----------	--	--	--------------	---

SPACER KIT

Centre Bearing Spacer Kit			1192K	1
Headlight Adjustment Leaf Spring Bracket (SR5 Only)			1213K	1

GREASABLE SHACKLES AND PINS

Greasable Shackle			1155	2
Non-Greasable Pin			387-1	2

HELPER SPRINGS

Load Plus Helper Springs			LP2	1
Add-A-Leaf			ISL6010	1



Revo
2015 to 4/2018
(Facelift) 5/2018 to 7/2020

SUSPENSION TO SUIT

Toyota Hilux

Product Description

Part No.

Qty
Req

Please check vehicle date range (if shown) next to product description prior to ordering

SUSPENSION KIT - Specify Front Coil Springs When Ordering

Light - Nitro Gas	TOY077AKG
Light - Foam Cell	TOY077AKF
Light - Foam Cell Pro	TOY077AKP
Medium - Nitro Gas	TOY077BKG
Medium - Foam Cell	TOY077BKF
Medium - Foam Cell Pro	TOY077BKP
Heavy - Nitro Gas	TOY077CKG
Heavy - Foam Cell	TOY077CKF
Heavy - Foam Cell Pro	TOY077CKP
Extra Heavy - Nitro Gas	TOY077DKG
Extra Heavy - Foam Cell	TOY077DKF
Extra Heavy - Foam Cell Pro	TOY077DKP

SUSPENSION KIT CONTENTS

Shock Absorbers	Coil Springs	U-Bolts	Non-Greasable Pins
Strut Shock Absorbers	Leaf Springs	Polyurethane Spring Bushes	Offset Sway Bar Bracket (Pro Kits Only)

OPTIONS AVAILABLE FOR THIS VEHICLE - SEE PAGE 391



Toyota Hilux

Vigo
3/2005 to 9/2011
(Facelift) 10/2011 to 2015



Product Description

Part No.

Qty
Req

Please check vehicle date range (if shown) next to product description prior to ordering

ACCESSORIES TO SUIT TOYOTA HILUX - 3/2005-2015

STEEL WINCH BULL BARS

Commercial Bull Bar - (3/2005 to 9/2011 Only)	BBC002
Commercial Bull Bar - (10/2011 to 2015 Only)	BBC033
Deluxe Bull Bar - (3/2005 to 9/2011 Only)	BBCD002
Deluxe Bull Bar - (10/2011 to 2015 Only)	BBCD033

STEEL SIDE STEPS AND RAILS - DUAL CAB MODELS ONLY

Side Steps - Dimple Step Design	SS033-D
Side Steps and Rails - Dimple Step Design	SSR033-D

RECOVERY POINTS - IRONMAN 4X4 BULL BAR ONLY

Recovery Points - 5000kg Rating (Pair)	IRP033
--	--------

SNORKEL

3L D4D TDi / 4L Petrol V6	ISNORKEL001
---------------------------	-------------

LONG RANGE FUEL TANK

145L* - Diesel and Petrol 4WD only	TANK002
------------------------------------	---------

* Usable volume may differ to the stated tank capacity

PREMIUM UNDERBODY PROTECTION

Engine Bay and Transmission	UBP033
-----------------------------	--------

ATLAS DUAL CAB ROOF RACK KITS

Platform A with Blade Fit Kit (Dual Cab Only) - 1530mm Length	IFR033PAK
Crossbar (x 2) and Fit Kit (Dual Cab) - 1250mm Width	IFR033C2K

FENDER FLARE KITS

Matte Black Smooth Finish 6" (Dual Cab Only)	IFF6002
--	---------

• Some flares may not be compatible if side rails/brush bars are fitted. Some flares may require slight trimming if snorkel is installed.

BREATHER KIT

Universal Twin Manifold Filtered Breather Kit	IDIFFBRE
---	----------



Vigo
3/2005 to 9/2011
(Facelift) 10/2011 to 2015

SUSPENSION TO SUIT

Toyota Hilux

Product Description

Part No.

Qty
Req

Please check vehicle date range (if shown) next to product description prior to ordering

SUSPENSION TO SUIT TOYOTA HILUX - 3/2005-2015

FRONT SUSPENSION

SHOCK ABSORBER

Nitro Gas Strut - Performance			12710GR	2
Foam Cell Strut - Performance			24710FE	2
Foam Cell Pro Strut - Performance			45710FE	2

• Foam Cell Pro, must fit 1198K spacer for Sway Bar clearance

COIL SPRINGS

	Est. Lift	Additional Load		
Light	40mm	0 - 50kg	TOY055A	1
Medium	45mm	0 - 50kg	TOY055B	1
Heavy	45mm	50 - 110kg	TOY055C	1

STRUT MOUNTS

Steel Strut Top			ISST001	2
-----------------	--	--	---------	---

TRIM PACKERS

5mm Strut Trim Packer	Nitro Gas / Foam Cell		HILFR05/HILFR05F	2
10mm Strut Trim Packer	Nitro Gas / Foam Cell		HILFR10/HILFR10F	2
15mm Strut Trim Packer	Nitro Gas / Foam Cell		HILFR15/HILFR15F	2

• ONLY Compatible with IRONMAN 4X4 Struts (except Pro), lift height subject to 2:1 motion ratio. Unnecessary fitment may lift vehicle too high

CONTROL ARMS

Pro-Forge Upper Control Arms			UCA001FA-B	1
------------------------------	--	--	------------	---

SPACER KIT

Sway Bar Spacer			1198K	1
-----------------	--	--	-------	---

REAR SUSPENSION

SHOCK ABSORBER

Nitro Gas - Comfort			12650GRC	2
Nitro Gas - Performance			12650GR	2
Nitro Gas Extra Long - Comfort			12081GRC	2
Nitro Gas Extra Long - Performance			12081GR	2
Foam Cell - Comfort			24650FEC	2
Foam Cell - Performance			24650FE	2
Foam Cell Extra Long - Comfort			24081FEC	2
Foam Cell Extra Long - Performance			24081FE	2
Foam Cell Extra Long - Professional			24081FEP	2
Foam Cell Pro - Comfort			45650FEC	2
Foam Cell Pro - Performance			45650FE	2
Foam Cell Pro Extra Long - Comfort			45081FEC	2
Foam Cell Pro Extra Long - Performance			45081FE	2
Foam Cell Pro Extra Long - Professional			45081FEP	2

LEAF SPRINGS

	Est. Lift	Additional Load		
Light	45mm	0 - 100kg	TOY057A	2
Medium	45mm	0 - 200kg	TOY057B	2
Heavy	45mm	200 - 400kg	TOY057C	2
Extra Heavy	45mm	400kg - GVM	TOY057D	2

U-BOLTS

U-Bolt Kit			437UBK	2
U-Bolt Kit Extra long	Suits TOY057A and TOY057D Spring		437UBKL	2

POLYURETHANE SPRING BUSHES

Bush Kit			767UK	1
----------	--	--	-------	---

GREASABLE SHACKLES AND PINS

Greasable Shackle			386-3	2
Non-Greasable Pin			387-1	2

HELPER SPRINGS

Load Plus Helper Springs			LP2	1
Add-A-Leaf			ISL6010	1

LISTING
CONTINUED
OVER THE
PAGE

Toyota Hilux

Vigo
3/2005 to 9/2011
(Facelift) 10/2011 to 2015



Product Description

Part No.

Qty
Req

Please check vehicle date range (if shown) next to product description prior to ordering

SUSPENSION KIT - Specify Front Coil Springs When Ordering

Light - Nitro Gas	TOY057AKG
Light - Foam Cell	TOY057AKF
Light - Foam Cell Pro	TOY057AKP
Medium - Nitro Gas	TOY057BKG
Medium - Foam Cell	TOY057BKF
Medium - Foam Cell Pro	TOY057BKP
Heavy - Nitro Gas	TOY057CKG
Heavy - Foam Cell	TOY057CKF
Heavy - Foam Cell Pro	TOY057CKP
Extra Heavy - Nitro Gas	TOY057DKG
Extra Heavy - Foam Cell	TOY057DKF
Extra Heavy - Foam Cell Pro	TOY057DKP

SUSPENSION KIT CONTENTS

Shock Absorbers	Coil Springs	U-Bolts
Strut Shock Absorbers	Leaf Springs	Polyurethane Spring Bushes

OPTIONS AVAILABLE FOR THIS VEHICLE - SEE PAGE 392



Toyota Hilux

Low Ride 2WD
2005+

Product Description

Part No.

Qty
Req*Please check vehicle date range (if shown) next to product description prior to ordering***SUSPENSION TO SUIT TOYOTA HILUX - 2005+****FRONT SUSPENSION****SHOCK ABSORBER**

Nitro Gas Strut - Performance	Left Hand Side	12764GRLH	1
Nitro Gas Strut - Performance	Right Hand Side	12764GRRH	1

COIL SPRINGS

	Est. Lift	Additional Load		
Medium	40mm	0 -50kg	TOY067B	1

TRIM PACKERS

5mm Strut Trim Packer	Nitro Gas	HILFR05	2
10mm Strut Trim Packer	Nitro Gas	HILFR10	2
15mm Strut Trim Packer	Nitro Gas	HILFR15	2

- Only compatible with IRONMAN 4X4 Struts, lift height subject to 2:1 motion ratio. Unnecessary fitment may lift vehicle too high

REAR SUSPENSION**SHOCK ABSORBER**

Nitro Gas - Comfort		12650GRC	2
Nitro Gas - Performance		12650GR	2
Foam Cell - Comfort		24650FEC	2
Foam Cell - Performance		24650FE	2
Foam Cell - Professional		24650FEP	2

LEAF SPRINGS

	Est. Lift	Additional Load		
Medium	45mm	0 -200kg	TOY068B	2
Heavy	45mm	200 - 400kg	TOY068C	2

U-BOLTS

U-Bolt Kit		415UBK	2
------------	--	---------------	---

POLYURETHANE SPRING BUSHES

Bush Kit	(14mm Front Bolt)	767UK	1
Bush Kit	(23mm Front Pin with Side Plate)	1151UK	1

GREASABLE SHACKLES AND PINS

Greasable Shackle		386-3	2
Non-Greasable Pin		387-1	2

- 14mm Pin

HELPER SPRINGS

Load Plus Helper Springs		LP2	1
Add-A-Leaf		ISL6010	1

SUSPENSION KIT

Medium - Nitro Gas	TOY068BKG
Heavy - Nitro Gas	TOY068CKG

- Specify Leaf Springs front bush I/D before ordering

SUSPENSION KIT CONTENTS

Shock Absorbers	Torsion Bars	Polyurethane Spring Bushes
Leaf Springs	U-Bolts	

Toyota Hilux

Tiger 107, 108, 110, 111, 167
1997 to 2004



Product Description

Part No.

Qty
Req

Please check vehicle date range (if shown) next to product description prior to ordering

ACCESSORIES TO SUIT TOYOTA HILUX - 1997-2004

STEEL WINCH BULL BARS

Deluxe Bull Bar - (2001 to 2004 Only)

BBCD001

BREATHER KIT

Universal Twin Manifold Filtered Breather Kit

IDIFFBRE

SUSPENSION TO SUIT TOYOTA HILUX - 1997-2004

FRONT SUSPENSION

SHOCK ABSORBER

Nitro Gas - Performance

12088GR

2

Foam Cell - Performance

24088FE

2

TORSION BAR

Up-rated Torsion Bars

TOY026

1

- Minimum 60mm downward suspension travel required after adjustment

STEERING DAMPER

Foam Cell

3533

1

- Check clearance to engine sump when fitting steering damper

REAR SUSPENSION

SHOCK ABSORBER

Nitro Gas - Comfort

12081GRC

2

Nitro Gas - Performance

12081GR

2

Foam Cell - Comfort

24081FEC

2

Foam Cell - Performance

24081FE

2

Foam Cell - Professional

24081FEP

2

LEAF SPRINGS

Light

Est. Lift

40mm

Additional Load

0 -100kg

TOY027A

2

Medium

40mm

0 -200kg

TOY027B

2

Heavy

40mm

200kg - GVM

TOY027C

2

- 1300mm Leaf Length

U-BOLTS

U-Bolt Kit

437UBK

2

U-Bolt Kit Extra long

Suits TOY027A Spring

437UBKL

2

POLYURETHANE SPRING BUSHES

Bush Kit

758UK

1

GREASABLE SHACKLES AND PINS

Greasable Shackle

Stepped Shackle

386-1

2

Non-Greasable Pin

387-1

2

HELPER SPRINGS

Load Plus Helper Springs

LP2

1

Add-A-Leaf

ISL6010

1

SUSPENSION KIT

Light - Nitro Gas

TOY027AKG

Light - Foam Cell

TOY027AKF

Medium - Nitro Gas

TOY027BKG

Medium - Foam Cell

TOY027BKF

Heavy - Nitro Gas

TOY027CKG

Heavy - Foam Cell

TOY027CKF

SUSPENSION KIT CONTENTS

Shock Absorbers

Torsion Bars

Polyurethane Spring Bushes

Leaf Springs

U-Bolts

Toyota Hilux



Solid Front Axle
11/1983 to 11/1997

Product Description

Part No.

Qty
Req

Please check vehicle date range (if shown) next to product description prior to ordering

SUSPENSION TO SUIT TOYOTA HILUX - 11/1983-11/1997

FRONT SUSPENSION

SHOCK ABSORBER

Nitro Gas - Comfort			12639GRC	2
Nitro Gas - Performance			12639GR	2
Foam Cell - Performance			24639FE	2

LEAF SPRINGS

	Est. Lift	Additional Load		
Medium - Drivers Side (Petrol)	50mm	0 - 50kg	TOY010BD/S	1
Medium - Near Side (Petrol)	50mm	0 - 50kg	TOY010BN/S	1
Heavy - Drivers Side (Diesel)	50mm	0 - 100kg	TOY010CD/S	1
Heavy - Near Side (Diesel)	50mm	0 - 100kg	TOY010CN/S	1

• Check clearance to drag link / u-bolt, ADL106 may be required

STEERING DAMPER

Foam Cell			3521	1
-----------	--	--	-------------	---

U-BOLTS

Drivers Side U-Bolt Kit			678UBK	1
Near Side U-Bolt Kit			437UBK	1

POLYURETHANE SPRING BUSHES

Bush Kit			732UK	1
----------	--	--	--------------	---

STEERING ARMS

Drop Drag Link			ADL106	1
----------------	--	--	---------------	---

GREASABLE SHACKLES AND PINS

Greasable Shackle			384	2
Greasable Pin			385	2

REAR SUSPENSION

SHOCK ABSORBER

Nitro Gas - Comfort			12650GRC	2
Nitro Gas - Performance			12650GR	2
Foam Cell - Comfort			24650FEC	2
Foam Cell - Performance			24650FE	2
Foam Cell - Professional			24650FEP	2

LEAF SPRINGS

	Est. Lift	Additional Load		
Medium	50mm	0 - 300kg	TOY011B	2
Heavy	50mm	300kg - GVM	TOY011C	2

U-BOLTS

U-Bolt Kit			437UBK	2
------------	--	--	---------------	---

POLYURETHANE SPRING BUSHES

Bush Kit			733UK	1
----------	--	--	--------------	---

GREASABLE SHACKLES AND PINS

Greasable Shackle			386	2
Greasable Shackle		Extended 5mm	386-2	2
Greasable Pin			385	2

HELPER SPRINGS

Load Plus Helper Springs			LP2	1
Add-A-Leaf			ISL6010	1

SUSPENSION KIT - Specify Front Leaf Springs When Ordering

Medium - Nitro Gas	TOY010BKG2
Medium - Foam Cell	TOY010BKF2
Heavy - Nitro Gas	TOY010CKG2
Heavy - Foam Cell	TOY010CKF2

SUSPENSION KIT CONTENTS

Shock Absorbers	U-Bolts
Leaf Springs	Polyurethane Spring Bushes

Toyota Hilux

Solid Front Axle
1979 to 10/1983



Product Description

Part No.

Qty
Req

Please check vehicle date range (if shown) next to product description prior to ordering

SUSPENSION TO SUIT TOYOTA HILUX - 1979-10/1983

FRONT SUSPENSION

SHOCK ABSORBER

Nitro Gas - Comfort			12639GRC	2
Nitro Gas - Performance			12639GR	2
Foam Cell - Performance			24639FE	2

LEAF SPRINGS

	Est. Lift	Additional Load		
Medium - Drivers Side (Petrol)	50mm	0 - 50kg	TOY010BD/S	1
Medium - Near Side (Petrol)	50mm	0 - 50kg	TOY010BN/S	1
Heavy - Drivers Side (Diesel)	50mm	0 - 100kg	TOY010CD/S	1
Heavy - Near Side (Diesel)	50mm	0 - 100kg	TOY010CN/S	1

• Check clearance to drag link / u-bolt, ADL106 may be required

STEERING DAMPER

Foam Cell			3521	1
-----------	--	--	-------------	---

U-BOLTS

Drivers Side U-Bolt Kit			678UBK	1
Near Side U-Bolt Kit			437UBK	1

POLYURETHANE SPRING BUSHES

Bush Kit			732UK	1
----------	--	--	--------------	---

STEERING ARMS

Drop Drag Link			ADL106	1
----------------	--	--	---------------	---

GREASABLE SHACKLES AND PINS

Greasable Shackle			384	2
Greasable Pin			385	2

REAR SUSPENSION

SHOCK ABSORBER

Nitro Gas - Comfort			12636GRC	2
Nitro Gas - Performance			12636GR	2
Nitro Gas - Professional			12636GRP	2
Foam Cell - Comfort			24636FEC	2
Foam Cell - Performance			24636FE	2
Foam Cell - Professional			24636FEP	2

LEAF SPRINGS

	Est. Lift	Additional Load		
Medium	50mm	0 - 300kg	TOY011B	2
Heavy	50mm	300kg - GVM	TOY011C	2

U-BOLTS

U-Bolt Kit			437UBK	2
------------	--	--	---------------	---

POLYURETHANE SPRING BUSHES

Bush Kit			733UK	1
----------	--	--	--------------	---

GREASABLE SHACKLES AND PINS

Greasable Shackle			386	2
Greasable Shackle		Extended 5mm	386-2	2
Greasable Pin			385	2

HELPER SPRINGS

Load Plus Helper Springs			LP2	1
Add-A-Leaf			ISL6010	1

SUSPENSION KIT - Specify Front Leaf Springs When Ordering

Medium - Nitro Gas	TOY010BKG1
Medium - Foam Cell	TOY010BKF1
Heavy - Nitro Gas	TOY010CKG1
Heavy - Foam Cell	TOY010CKF1

SUSPENSION KIT CONTENTS

Shock Absorbers	U-Bolts
Leaf Springs	Polyurethane Spring Bushes



Kluger / Highlander
2020+

SUSPENSION TO SUIT

Toyota Kluger

Product Description

Part No.

Qty
Req

Please check vehicle date range (if shown) next to product description prior to ordering

SUSPENSION TO SUIT TOYOTA KLUGER / HIGHLANDER - 2020+

REAR SUSPENSION

COIL SPRINGS

Heavy

Est. Lift

40mm

Additional Load

200kg

TOY076C

1

Toyota Landcruiser

300 Series
2022+



Product Description

Part No.

Qty
Req

Please check vehicle date range (if shown) next to product description prior to ordering

ACCESSORIES TO SUIT TOYOTA LANDCRUISER 300 SERIES - 2022+

STEEL WINCH BULL BARS

Commercial Bull Bar	BBC090	
Deluxe Bull Bar	BBBD090	
Premium Bull Bar - 60.3mm Tube	BBP090	
Raid Full Length Steel Tubular Bumper	BBR090	
Raid Full Length Steel Tubular Bumper - Pre-Primed for Colour Coding	BBR090P	
Raid Bull Bar Kit*	BBR090K	
Polyurethane Override Kit to Suit BBR090 Raid Bull Bar	BBPART045	
Driving Light/Lightbar Patch Loom	IPLS090	
Parking Sensor (4) Extension Harness - Suits BBR090 and BBP090	IBBPSL090	
Bull Bar Multi-Function Harness - For Blinker/Parker/DRL only	IBBPLO90	
Camera Extension Cable - Suits BBR090* and BBP090*	IMPZQ96-60030	
120W Bright Sabre Single Row Lightbar 812mm (32") Straight to suit Raid Bull Bar	ILBSR002BW	1

*Raid Bull Bars are compatible with IRONMAN 4X4 Lightbars and 20W or 40W Cube Lights, refer page 29-33 for available options

*Required if vehicle is fitted with front camera

*Winch with Steel Cable and Roller Fairlead is not suitable when front camera is used - Use Winch with Synthetic Rope and Alloy Hawse only

STEEL SIDE STEPS

Premium Side Steps - 60.3mm Tube - Dimple Step Design*	SSP090-D
Premium Side Steps and Rails - 60.3mm Tube - Dimple Step Design*	SSRP090-D

*Not compatible with ZX Sahara fitted with factory body kit

RECOVERY POINTS - IRONMAN 4X4 BULL BAR ONLY

Recovery Points - 5000kg Rating	IRP090
---------------------------------	--------

SNORKEL

Landcruiser 300 Series	ISNORKEL090
------------------------	-------------

PREMIUM UNDERBODY PROTECTION

Engine Bay and Transmission	UBP090
-----------------------------	--------

ATLAS ROOF RACK KITS

Platform A with Blade Fit Kit - 1530mm Length	IFR090PAK
Platform E with Blade Fit Kit - 2130mm Length	IFR090PEK

* See Page 38-41 for more Atlas rack, crossbar and accessory options.

SEAT COVER

Airbag Compatible Fabric Seat Covers - Front	SC090-CC-1R-A
Airbag Compatible Fabric Seat Covers - Rear	SC090-CC-2R-A

BREATHER KIT

Universal Twin Manifold Filtered Breather Kit	IDIFFBRE
---	----------

BULL BAR KIT* CONTENTS

Raid Bull Bar	Patch Loom	Driving Light Loom	Cube Light Adaptor	Lightbar	Cube Lights (4)	Parking Sensor Extension
---------------	------------	--------------------	--------------------	----------	-----------------	--------------------------



300 Series
2022+

Toyota Landcruiser

Product Description

Part No.

Qty
Req

Please check vehicle date range (if shown) next to product description prior to ordering

SUSPENSION TO SUIT TOYOTA LANDCRUISER 300 SERIES - 2022+

FRONT SUSPENSION

SHOCK ABSORBER

Foam Cell Strut - Performance*			24883FE	2
Foam Cell Pro Strut - Performance			45883FE	2

COIL SPRINGS

	Est. Lift	Additional Load		
Light	25mm	0 - 50kg	TOY083A	1
Medium	50mm	0 - 50kg	TOY083B	1
Heavy	50mm	50 - 110kg	TOY083C	1

STRUT MOUNTS

Steel Strut Top			ISST090	2
-----------------	--	--	----------------	---

TRIM PACKERS

5mm Strut Trim Packer		Foam Cell	HILFR05F	2
10mm Strut Trim Packer		Foam Cell	HILFR10F	2
15mm Strut Trim Packer		Foam Cell	HILFR15F	2

* Only compatible with IRONMAN 4X4 Struts (except Pro), lift height subject to 2:1 motion ratio. Unnecessary fitment may lift vehicle too high

CONTROL ARMS

Pro-Forge Upper Control Arms			UCA090FA-B	1
------------------------------	--	--	-------------------	---

REAR SUSPENSION

SHOCK ABSORBER

Foam Cell - Performance			24884FE	2
Foam Cell Pro - Performance			45884FE	2
Foam Cell Pro - Professional			45884FEP	2

COIL SPRINGS

	Est. Lift	Additional Load		
Light	25mm	0 - 200kg	TOY084A	1
Medium	50mm	0 - 200kg	TOY084B	1
Medium (with Accessories)	50mm	200 - 400kg	TOY084B1	1
Heavy	50mm	400 - 800kg	TOY084C	1
Extra Heavy	50mm	800kg+	TOY084D	1

PANHARD ROD

Adjustable Panhard Rod			PANHARD016	1
------------------------	--	--	-------------------	---

ADJUSTABLE TRAILING ARM

Lower Trailing Arm			LTA003	2
--------------------	--	--	---------------	---

SPRING SEAT SUPPORT KIT

Forged Aluminium Support Kit			1227K	1
------------------------------	--	--	--------------	---

SUSPENSION KIT - Specify Front Coil Springs When Ordering

Medium - Foam Cell	TOY083BKF
Medium - Foam Cell Pro	TOY083BKP
Heavy - Foam Cell	TOY083CKF
Heavy - Foam Cell Pro	TOY083CKP

SUSPENSION KIT CONTENTS

Shock Absorbers

Strut Shock Absorbers

Coil Springs

OPTIONS AVAILABLE FOR THIS VEHICLE - SEE PAGE 393



Toyota Landcruiser

200 Series (Facelift Mk II)
11/2015+



Product Description

Part No.

Qty
Req

Please check vehicle date range (if shown) next to product description prior to ordering

ACCESSORIES TO SUIT TOYOTA LANDCRUISER 200 SERIES - 11/2015+

STEEL WINCH BULL BARS

Premium Bull Bar - 60.3mm Tube	BBP056-VX	
Apex Bar - 60.3mm Tube*	BBP056C-VX	
Apex Bull Bar Kit* - 60.3mm Tube	BBP056C-VXK	
Raid Bull Bar - Includes Integrated Recovery Points	BBR056	
Raid Bull Bar Kit*	BBR056K	
Proguard No Loop Bull Bar	BBT056VX-NL	
Proguard Single Loop Kit	BB056-SL	
Proguard Triple Loop Kit	BB056-TL	
Driving Light / Lightbar Patch Loom	IPLS056	
Driving Light / Lightbar Patch Loom - <i>While Stocks Last</i>	IPL056	
120W Bright Sabre Single Row Lightbar 812mm (32") Straight to suit Raid Bull Bar	ILBSR002BW	1

• Apex and Raid Bull Bars are compatible with IRONMAN 4X4 Lightbars and 20W or 40W Cube Lights, refer page 29-33 for available options

* Round fog lights replaced with provision for Cube Lights (sold separately)

• Winch with Steel Cable and Roller Fairlead is not suitable when front camera is used - Use Winch with Synthetic Rope and Alloy Hawse only

STEEL SIDE STEPS AND RAILS

Premium Side Steps - 60.3mm Tube (Suit non KDSS model)	SSP056
Premium Side Rails - 60.3mm Tube (Suit non KDSS model)	SSP056 RAIL
Premium Side Steps and Rails - 60.3mm Tube (Suit non KDSS model)	SSRP056

RECOVERY POINTS - IRONMAN 4X4 BULL BAR ONLY

Recovery Points - 5000kg Rating (Pair) (Suit KDSS and non KDSS model)	IRP056
---	--------

SNORKEL

Landcruiser 200 Series	ISNORKEL056
------------------------	-------------

BATTERY TRAY

Suits 12" Battery	IBTRAY056
-------------------	-----------

PREMIUM UNDERBODY PROTECTION

Engine and Radiator	UBP056
---------------------	--------

ATLAS ROOF RACK KITS

Platform A with Blade Fit Kit - 1530mm Length	IFR056PAK
Platform E with Blade Fit Kit - 2130mm Length	IFR056PEK
Crossbar (x 3) and Fit Kit - 1375mm Width	IFR056C3K

• See Page 38-41 for more Atlas rack, crossbar and accessory options.

STEEL ROOF RACKS

Rooftop Tent Compatible - 1.8m x 1.25m	IRR TENT18
--	------------

ALLOY ROOF RACKS

Cage Style - 1.8m x 1.25m	IRRCAGE18-ALLOY
Trade Style - 1.8m x 1.25m (Open end)	IRRTRADE18-ALLOY
Flat Rack - 1.8m x 1.25m	IRRTFLAT18-ALLOY

STEEL AND ALLOY ROOF RACK - MOUNT KITS

Landcruiser 200 Mount Feet - 200mm (8 Feet)	IRRFEETLC200
---	--------------

BREATHER KIT

Universal Twin Manifold Filtered Breather Kit	IDIFFBRE
---	----------

BULL BAR KIT* CONTENTS

Apex Bull Bar (BBP056C-VXK)	Bull Bar Patch Loom	Cube Lights (2)	Turn / Park Cube Lights (2)		
Raid Bull Bar	Patch Loom	Driving Light Loom	Cube Light Adaptor	Lightbar	Cube Lights (4)



200 Series (Facelift Mk II) / LX570
11/2015+

SUSPENSION TO SUIT Toyota Landcruiser / Lexus

Product Description

Part No.

Qty
Req

Please check vehicle date range (if shown) next to product description prior to ordering

SUSPENSION TO SUIT TOYOTA LANDCRUISER 200 SERIES / LX570 - 11/2015+

FRONT SUSPENSION

SHOCK ABSORBER

Nitro Gas Strut - Performance			12720GR	2
Foam Cell Strut - Performance			24720FE	2
Foam Cell Pro Strut - Performance			45720FE	2

COIL SPRINGS

	Est. Lift	Additional Load		
Standard	0mm	0-50kg	TOY063S	1
Light	25mm	0 - 50kg	TOY063A	1
Medium	50mm	0 - 50kg	TOY063B	1
Heavy	50mm	50 - 110kg	TOY063C	1

STRUT MOUNTS

Steel Strut Top			ISST004	2
-----------------	--	--	---------	---

TRIM PACKERS

5mm Strut Trim Packer	Nitro Gas / Foam Cell	HILFR05/HILFR05F	2
10mm Strut Trim Packer	Nitro Gas / Foam Cell	HILFR10/HILFR10F	2
15mm Strut Trim Packer	Nitro Gas / Foam Cell	HILFR15/HILFR15F	2

• Only compatible with IRONMAN 4X4 Struts (except Pro), lift height subject to 2:1 motion ratio. Unnecessary fitment may lift vehicle too high

CONTROL ARMS

Pro-Forge Upper Control Arms			UCA056FA-B	1
------------------------------	--	--	------------	---

REAR SUSPENSION

SHOCK ABSORBER

Nitro Gas - Performance			12796GR	2
Foam Cell - Performance			24796FE	2
Foam Cell Pro - Performance			45796FE	2
Foam Cell Pro - Professional			45796FEP	2

COIL SPRINGS

	Est. Lift	Additional Load		
Standard	0mm	0 - 200kg	TOY064S	1
Light	25mm	0 - 200kg	TOY064A	1
Medium	50mm	0 - 300kg	TOY064B	1
Medium - with Accessories	50mm	100 - 400kg	TOY064EA	1
Heavy	50mm	400 - 800kg	TOY064C	1
Extra Heavy	50mm	800kg+	TOY064D	1

PANHARD ROD

Adjustable Panhard Rod			PANHARD016	1
------------------------	--	--	------------	---

ADJUSTABLE TRAILING ARM

Upper Trailing Arm			UTA200	2
Lower Trailing Arm			LTA200	2

SUSPENSION KIT - Specify Front Coil Springs When Ordering

Light - Nitro Gas	TOY063AKG
Light - Foam Cell	TOY063AKF
Light - Foam Cell Pro	TOY063AKP
Medium - Nitro Gas	TOY063BKG
Medium - Foam Cell	TOY063BKF
Medium - Foam Cell Pro	TOY063BKP
Heavy - Nitro Gas	TOY063CKG
Heavy - Foam Cell	TOY063CKF
Heavy - Foam Cell Pro	TOY063CKP

• All kits compatible with KDSS, refer KDSS instructions available at www.ironman4x4.com

SUSPENSION KIT CONTENTS

Shock Absorbers

Strut Shock Absorbers

Coil Springs

OPTIONS AVAILABLE FOR THIS VEHICLE - SEE PAGE 394



Toyota Landcruiser

200 Series
11/2007 to 1/2012
(Facelift) 2/2012 to 10/2015



Product Description

Part No.

Qty
Req

Please check vehicle date range (if shown) next to product description prior to ordering

ACCESSORIES TO SUIT TOYOTA LANDCRUISER 200 SERIES - 11/2007-10/2015

STEEL WINCH BULL BARS

Premium Bull Bar - 60.3mm Tube - (11/2007 to 1/2012)	BBP025
Apex Bar - 60.3mm Tube - (11/2007 to 1/2012) [†]	BBP025C
Apex Bull Bar Kit* - 60.3mm Tube - (11/2007 to 1/2012) [†]	BBP025CK
Premium Bull Bar - 60.3mm Tube - (2/2012 to 9/2015)	BBP043
Apex Bar - 60.3mm Tube - (2/2012 to 9/2015) [†]	BBP043C
Apex Bull Bar Kit* - 60.3mm Tube - (2/2012 to 9/2015)	BBP043CK

* Apex Bull Bars are compatible with IRONMAN 4X4 40W Cube Lights, refer page 29-33 for available options

[†] Round fog lights replaced with provision for Cube Lights (sold separately)

RECOVERY POINTS - IRONMAN 4X4 BULL BAR ONLY

Recovery Points - 5000kg Rating (Pair) - KDSS and non KDSS models	IRP056
---	--------

SNORKEL

Landcruiser 200 Series	ISNORKEL010
------------------------	-------------

PREMIUM UNDERBODY PROTECTION

Engine and Radiator	UBP056
---------------------	--------

ATLAS ROOF RACK KITS

Platform A with Blade Fit Kit - 1530mm Length	IFR056PAK
Platform E with Blade Fit Kit - 2130mm Length	IFR056PEK
Crossbar (x 3) and Fit Kit - 1375mm Width	IFR056C3K

* See Page 38-41 for more Atlas rack, crossbar and accessory options.

STEEL ROOF RACKS

Rooftop Tent Compatible - 1.8m x 1.25m	IRRTENT18
Rooftop Tent Compatible - 2.2m x 1.25m	IRRTENT22
Trade Style - 2.2m x 1.25m (Open end)	IRRTRADE22

ALLOY ROOF RACKS

Cage Style - 1.8m x 1.25m	IRRCAGE18-ALLOY
Cage Style - 2.2m x 1.25m	IRRCAGE22-ALLOY
Trade Style - 1.8m x 1.25m (Open end)	IRRTRADE18-ALLOY
Trade Style - 2.2m x 1.25m (Open end)	IRRTRADE22-ALLOY
Flat Rack - 1.8m x 1.25m	IRRTFLAT18-ALLOY

ROOF RACK - MOUNTING KITS

Landcruiser 200 Mount Feet - 200mm (8 Feet)	IRRFEETLC200
---	--------------

BREATHER KIT

Universal Twin Manifold Filtered Breather Kit	IDIFFBRE
---	----------

BULL BAR KIT* CONTENTS

Apex Bull Bar	Bull Bar Patch Loom	Cube Lights (2)	Turn / Park Cube Lights (2)
---------------	---------------------	-----------------	-----------------------------



200 Series / LX570
11/2007 to 10/2015

SUSPENSION TO SUIT Toyota Landcruiser / Lexus

Product Description

Part No.

Qty
Req

Please check vehicle date range (if shown) next to product description prior to ordering

SUSPENSION TO SUIT TOYOTA LC 200 SERIES / LX570 - 11/2007-10/2015

FRONT SUSPENSION

SHOCK ABSORBER

Nitro Gas Strut - Performance			12720GR	2
Foam Cell Strut - Performance			24720FE	2
Foam Cell Pro Strut - Performance			45720FE	2

COIL SPRINGS

	Est. Lift	Additional Load		
Standard	0mm	0-50kg	TOY063S	1
Light	25mm	0 - 50kg	TOY063A	1
Medium	50mm	0 - 50kg	TOY063B	1
Heavy	50mm	50 - 110kg	TOY063C	1

STRUT MOUNTS

Steel Strut Top			ISST004	2
-----------------	--	--	---------	---

TRIM PACKERS

5mm Strut Trim Packer	Nitro Gas / Foam Cell		HILFR05/HILFR05F	2
10mm Strut Trim Packer	Nitro Gas / Foam Cell		HILFR10/HILFR10F	2
15mm Strut Trim Packer	Nitro Gas / Foam Cell		HILFR15/HILFR15F	2

• ONLY Compatible with IRONMAN 4X4 Struts (except Pro), lift height subject to 2:1 motion ratio. Unnecessary fitment may lift vehicle too high

CONTROL ARMS

Pro-Forge Upper Control Arms			UCA056FA-B	1
------------------------------	--	--	------------	---

REAR SUSPENSION

SHOCK ABSORBER

Nitro Gas - Performance			12796GR	2
Foam Cell - Performance			24796FE	2
Foam Cell Pro - Performance			45796FE	2
Foam Cell Pro - Professional			45796FEP	2

COIL SPRINGS

	Est. Lift	Additional Load		
Standard	0mm	0 - 200kg	TOY064S	1
Light	25mm	0 - 200kg	TOY064A	1
Medium	50mm	0 - 300kg	TOY064B	1
Medium - with Accessories	50mm	100 - 400kg	TOY064EA	1
Heavy	50mm	400kg - GVM	TOY064C	1
Extra Heavy	50mm	800kg+	TOY064D	1

PANHARD ROD

Adjustable Panhard Rod			PANHARD016	1
------------------------	--	--	------------	---

ADJUSTABLE TRAILING ARM

Upper Trailing Arm			UTA200	2
Lower Trailing Arm			LTA200	2

SUSPENSION KIT - Specify Front Coil Springs When Ordering

Light - Nitro Gas	TOY063AKG
Light - Foam Cell	TOY063AKF
Light - Foam Cell Pro	TOY063AKP
Medium - Nitro Gas	TOY063BKG
Medium - Foam Cell	TOY063BKF
Medium - Foam Cell Pro	TOY063BKP
Heavy - Nitro Gas	TOY063CKG
Heavy - Foam Cell	TOY063CKF
Heavy - Foam Cell Pro	TOY063CKP

• All kits compatible with KDSS, refer KDSS instructions available at www.ironman4x4.com

SUSPENSION KIT CONTENTS

Shock Absorbers	Strut Shock Absorbers
Coil Springs	



Toyota Landcruiser

Product Description

Part No.

Qty Req

Please check vehicle date range (if shown) next to product description prior to ordering

ACCESSORIES TO SUIT TOYOTA LANDCRUISER 105 SERIES - 3/1990-10/2007

STEEL WINCH BULL BARS

Deluxe Bull Bar

BBCD005

RECOVERY POINTS - IRONMAN 4X4 BULL BAR ONLY

Recovery Points - 5000kg Rating (Pair)

IRP005

SNORKEL

Landcruiser 105 Series

ISNORKEL003

STEEL ROOF RACKS

Rooftop Tent Compatible - 1.8m x 1.25m

IRR TENT18

ALLOY ROOF RACKS

Cage Style - 1.8m x 1.25m

IRRCAGE18-ALLOY

Trade Style - 1.8m x 1.25m (Open end)

IRRTRADE18-ALLOY

Flat Rack - 1.8m x 1.25m

IRRTFLAT18-ALLOY

BREATHER KIT

Universal Twin Manifold Filtered Breather Kit

IDIFFBRE

SUSPENSION TO SUIT TOYOTA LANDCRUISER 105 SERIES - 1998+

FRONT SUSPENSION

SHOCK ABSORBER

Nitro Gas - Performance

12683GR

2

Foam Cell - Performance

24683FE

2

Foam Cell - Performance

Suits 4" Lift

24683LFE

2

Foam Cell - Performance

Suits 6" Lift

24683LFE1

2

Foam Cell Pro - Performance

45683FE

2

Foam Cell Pro - Performance

Suits 4" Lift

45683LFE

2

Foam Cell Pro - Performance

Suits 6" Lift

45683LFE1

2

COIL SPRINGS

Est. Lift Additional Load

Medium

50mm

0 - 50kg

TOY024B

1

Medium - 4" Lift

100mm

0 - 100kg

TOY012C

1

Medium - 6" Lift

150mm

0 - 100kg

TOY060B

1

Heavy

50mm

50 - 110kg

TOY024C

1

STEERING DAMPER

Foam Cell

3524

1

CASTER CORRECTION

2° Offset Bush Kit - Polyurethane

1144SK

1

Adjustable Offset STD, 2.5, 3.5° - Polyurethane

1144

1

2° Offset Bush Kit - Rubber

1144RK

1

5° Offset Plate Kit

CPLATE001

1

4° Drop Box

DBOX001

1

STEERING RODS

Adjustable Drag Link

Right Hand Drive

ADL001

1

Adjustable Drag Link

Left Hand Drive

ADL001L

1

Track Rod

ATRO01

1

ADJUSTABLE PANHARD ROD

Right Hand Drive Rod

PANHARD001

1

Left Hand Drive Rod

PANHARD007

1

SWAY BAR LINK

Extended Sway Bar Link

SBEXT001

2

COIL SPACER

Polyurethane 20mm

LCF20

2

Polyurethane 30mm

LCF30

2

EXTENDED BRAKE HOSE

Single Hose Models

BHOSE001

1

Dual Hose Models

BHOSE002

2



105 Series
1998+

Toyota Landcruiser

Product Description

Part No.

Qty
Req

Please check vehicle date range (if shown) next to product description prior to ordering

REAR SUSPENSION

SHOCK ABSORBER

Nitro Gas - Performance			12682GR	2
Foam Cell - Performance			24682FE	2
Foam Cell - Performance	Suits 4" Lift		24682LFE	2
Foam Cell - Performance	Suits 6" Lift		24682LFE1	2
Foam Cell Pro - Performance			45682FE	2
Foam Cell Pro - Performance	Suits 4" Lift		45682LFE	2
Foam Cell Pro - Performance	Suits 6" Lift		45682LFE1	2

COIL SPRINGS

	Est. Lift	Additional Load		
Medium	50mm	0 - 200kg	TOY025B	1
Medium - with Accessories	50mm	100 - 300kg	TOY013B	1
Medium - 4" Lift	100mm	0 - 300kg	TOY013C	1
Medium - 6" Lift	150mm	0 - 300kg	TOY061B	1
Heavy	50mm	200 - 400kg	TOY025C	1
Heavy - 4" Lift	100mm	300 - 500kg	TOY013D	1
Heavy - 6" Lift	150mm	300 - 500kg	TOY061C	1
Extra Heavy	55mm	400 - 500kg	TOY025D	1

PANHARD ROD

Adjustable Panhard Rod			PANHARD002	1
------------------------	--	--	-------------------	---

ADJUSTABLE TRAILING ARM

Upper Trailing Arm			UTA001	2
Lower Trailing Arm			LTA001	2

SWAY BAR LINK

Extended Sway Bar Link	Side mount		SBEXT002	2
Extended Sway Bar Link	Under mount		SBEXT005	2

COIL SPACER

Polyurethane 15mm			LCR15	2
Polyurethane 30mm			LCR30	2

BRAKE HOSE

Extended Brake Hose			BHOSE002	1
---------------------	--	--	-----------------	---

BUSH KIT

Rubber Suspension Arm Bush Kit	W/ Standard Radius Arm Bushes		847RK	1
Rubber Suspension Arm Bush Kit	W/ Offset Radius Arm Bushes		847CRK	1

SUSPENSION KIT - Specify Front Coil Springs When Ordering

Medium - Nitro Gas			TOY024BKG
Medium - Foam Cell			TOY024BKF
Medium - Foam Cell	4" Lift	RH Drive	TOY012CKF1
Medium - Foam Cell	4" Lift	LH Drive	TOY012CKF1L
Medium - Foam Cell	6" Lift	RH Drive	TOY063BKF1
Medium - Foam Cell	6" Lift	LH Drive	TOY063BKF1L
Medium - Foam Cell Pro			TOY024BKP
Medium - Foam Cell Pro	4" Lift	RH Drive	TOY012CKP1
Medium - Foam Cell Pro	4" Lift	LH Drive	TOY012CKP1L
Medium - Foam Cell Pro	6" Lift	RH Drive	TOY063BKP1
Medium - Foam Cell Pro	6" Lift	LH Drive	TOY063BKP1L
Heavy - Nitro Gas			TOY024CKG
Heavy - Foam Cell			TOY024CKF
Heavy - Foam Cell	4" Lift	RH Drive	TOY012CKF2
Heavy - Foam Cell	4" Lift	LH Drive	TOY012CKF2L
Heavy - Foam Cell	6" Lift	RH Drive	TOY063BKF2
Heavy - Foam Cell	6" Lift	LH Drive	TOY063BKF2L
Heavy - Foam Cell Pro			TOY024CKP
Heavy - Foam Cell Pro	4" Lift	RH Drive	TOY012CKP2
Heavy - Foam Cell Pro	4" Lift	LH Drive	TOY012CKP2L
Heavy - Foam Cell Pro	6" Lift	RH Drive	TOY063BKP2
Heavy - Foam Cell Pro	6" Lift	LH Drive	TOY063BKP2L
Extra Heavy - Nitro Gas			TOY024DKG
Extra Heavy - Foam Cell			TOY024DKF
Extra Heavy - Foam Cell Pro			TOY024DKP

• 4" and 6" lifts may not be legal for on-road use in your area, certification may be required for on-road use. IRONMAN 4X4 accept no responsibility for any damage or injury caused by use of the these products
 • Due to the extreme nature of 4" and 6" lifts, further modifications may be required, and will vary between vehicles, such modifications are entirely the owners responsibility

50MM SUSPENSION KIT CONTENTS

Shock Absorbers Coil Springs

4" AND 6" SUSPENSION KIT CONTENTS

Shock Absorbers Coil Springs Panhard Rods Sway Bar Links
 Caster Plates Brake Hoses Adjustable Trailing Arms

Toyota Landcruiser

100 Series HDJ100, UZJ100, IFS
3/1998 to 10/2007



Product Description

Part No.

Qty
Req

Please check vehicle date range (if shown) next to product description prior to ordering

ACCESSORIES TO SUIT TOYOTA LANDCRUISER 100 SERIES - 3/1998-10/2007

STEEL WINCH BULL BARS

Deluxe Bull Bar	BBCD006	
-----------------	---------	--

RECOVERY POINTS - IRONMAN 4X4 BULL BAR ONLY

Recovery Points - 5000kg Rating (Pair)	IRP005	
--	--------	--

SNORKEL

Landcruiser 100 / Lexus LX 470	ISNORKEL003	
--------------------------------	-------------	--

STEEL ROOF RACKS

Rooftop Tent Compatible - 1.8m x 1.25m	IRR TENT18	
--	------------	--

ALLOY ROOF RACKS

Cage Style - 1.8m x 1.25m	IRRCAGE18-ALLOY	
---------------------------	-----------------	--

Trade Style - 1.8m x 1.25m (Open end)	IRRTRADE18-ALLOY	
---------------------------------------	------------------	--

Flat Rack - 1.8m x 1.25m	IRRTFLAT18-ALLOY	
--------------------------	------------------	--

BREATHER KIT

Universal Twin Manifold Filtered Breather Kit	IDIFFBRE	
---	----------	--

SUSPENSION TO SUIT TOYOTA LANDCRUISER 100 SERIES / LX470 - 1998+

FRONT SUSPENSION

SHOCK ABSORBER

Nitro Gas - Performance	12795GR	2
-------------------------	---------	---

Foam Cell - Performance	24795FE	2
-------------------------	---------	---

Foam Cell Pro - Performance	45795FE	2
-----------------------------	---------	---

TORSION BAR

Uprated Torsion Bars	Petrol Models	1160mm Length	TOY050	1
----------------------	---------------	---------------	--------	---

Uprated Torsion Bars	Diesel Models	1210mm Length	TOY051	1
----------------------	---------------	---------------	--------	---

- Must Install BRACKET100

- Some Middle Eastern Petrol models use TOY051 check length before ordering

- Minimum 60mm downward suspension travel required after adjustment

DIFF DROP KIT

Diff Drop Kit	IDD100	1
---------------	--------	---

CONTROL ARM

Control Arm Reinforcement	BRACKET100	1
---------------------------	------------	---



100 Series HDJ100, UZJ100, IFS /
LX470
3/1998 to 10/2007

SUSPENSION TO SUIT
**Toyota Landcruiser /
Lexus**

Product Description

Part No.

Qty
Req

Please check vehicle date range (if shown) next to product description prior to ordering

REAR SUSPENSION

SHOCK ABSORBER

Nitro Gas - Performance			12796GR	2
Foam Cell - Performance			24796FE	2
Foam Cell Pro - Performance			45796FE	2
Foam Cell Pro - Professional			45796FEP	2

COIL SPRINGS

	Est. Lift	Additional Load		
Medium	25mm	0 - 200kg	TOY013B	1
Heavy	25mm	200 - 400kg	TOY025C	1
Extra Heavy	30mm	400kg - GVM	TOY025D	1

ADJUSTABLE TRAILING ARM

Upper Trailing Arm		UTA003	2
Lower Trailing Arm		LTA003	2

SUSPENSION KIT

Medium - Nitro Gas	Petrol	TOY050BKG
Medium - Nitro Gas	Diesel	TOY051BKG
Medium - Foam Cell	Petrol	TOY050BKF
Medium - Foam Cell	Diesel	TOY051BKF
Medium - Foam Cell Pro	Petrol	TOY050BKP
Medium - Foam Cell Pro	Diesel	TOY051BKP
Heavy - Nitro Gas	Petrol	TOY050CKG
Heavy - Nitro Gas	Diesel	TOY051CKG
Heavy - Foam Cell	Petrol	TOY050CKF
Heavy - Foam Cell	Diesel	TOY051CKF
Heavy - Foam Cell Pro	Petrol	TOY050CKP
Heavy - Foam Cell Pro	Diesel	TOY051CKP
Extra Heavy - Nitro Gas	Petrol	TOY050DKG
Extra Heavy - Nitro Gas	Diesel	TOY051DKG
Extra Heavy - Foam Cell	Petrol	TOY050DKF
Extra Heavy - Foam Cell	Diesel	TOY051DKF
Extra Heavy - Foam Cell Pro	Petrol	TOY050DKP
Extra Heavy - Foam Cell Pro	Diesel	TOY051DKP

• Some Middle Eastern Petrol models use TOY051 check Torsion Bar length before ordering

SUSPENSION KIT CONTENTS

Shock Absorbers	Torsion Bars
Coil Springs	Control Arm Reinforcement

Toyota Landcruiser

80 Series HZJ80, FZJ80
1990 to 1998



Product Description

Part No.

Qty
Req

Please check vehicle date range (if shown) next to product description prior to ordering

ACCESSORIES TO SUIT TOYOTA LANDCRUISER 80 SERIES - 1990-1998

STEEL WINCH BULL BARS

Deluxe Bull Bar BBCD004

RECOVERY POINTS - IRONMAN 4X4 BULL BAR ONLY

Recovery Points - 5000kg Rating (Pair) IRP005

SNORKEL

Landcruiser / Lexus LX 450 ISNORKEL004

STEEL ROOF RACKS

Cage Style - 1.4m x 1.25m IRRCAGE14

Rooftop Tent Compatible - 1.8m x 1.25m IRRTENT18

Rooftop Tent Compatible - 2.2m x 1.25m IRRTENT22

Trade Style - 2.2m x 1.25m (Open end) IRRTRADE22

ALLOY ROOF RACKS

Cage Style - 1.8m x 1.25m IRRCAGE18-ALLOY

Cage Style - 2.2m x 1.25m IRRCAGE22-ALLOY

Trade Style - 1.8m x 1.25m (Open end) IRRTRADE18-ALLOY

Trade Style - 2.2m x 1.25m (Open end) IRRTRADE22-ALLOY

Flat Rack - 1.8m x 1.25m IRRTFLAT18-ALLOY

BREATHER KIT

Universal Twin Manifold Filtered Breather Kit IDIFFBRE

SUSPENSION TO SUIT TOYOTA LANDCRUISER 80 SERIES - 1990+

FRONT SUSPENSION

SHOCK ABSORBER

Nitro Gas - Performance 12683GR 2

Foam Cell - Performance 24683FE 2

Foam Cell - Performance 24683LFE 2

Foam Cell - Performance 24683LFE1 2

Foam Cell Pro - Performance 45683FE 2

Foam Cell Pro - Performance 45683LFE 2

Foam Cell Pro - Performance 45683LFE1 2

COIL SPRINGS

Medium TOY024B 1

Medium - 4" Lift TOY012C 1

Medium - 6" Lift TOY060B 1

Heavy TOY024C 1

STEERING DAMPER

Foam Cell 3524 1

CASTER CORRECTION

2° Offset Bush Kit - Polyurethane 1144SK 1

Adjustable Offset STD, 2.5, 3.5° - Polyurethane 1144 1

2° Offset Bush Kit - Rubber 1144RK 1

5° Offset Plate Kit CPLATE001 1

4° Drop Box DBOX001 1

STEERING ROD

Adjustable Drag Link ADL001 1

Adjustable Drag Link ADL001L 1

Track Rod ATRO01 1

ADJUSTABLE PANHARD ROD

Right Hand Drive Rod PANHARD001 1

Left Hand Drive Rod PANHARD007 1

SWAY BAR LINK

Extended Sway Bar Link SBEXT001 2

COIL SPACER

Polyurethane 20mm LCF20 2

Polyurethane 30mm LCF30 2

EXTENDED BRAKE HOSE

Single Hose Models BHOSE001 1

Dual Hose Models BHOSE002 2



80 Series
1990+

Toyota Landcruiser

Product Description

Part No.

Qty
Req

Please check vehicle date range (if shown) next to product description prior to ordering

REAR SUSPENSION

SHOCK ABSORBER

Nitro Gas - Performance			12682GR	2
Foam Cell - Performance			24682FE	2
Foam Cell - Performance		Suits 4" Lift	24682LFE	2
Foam Cell - Performance		Suits 6" Lift	24682LFE1	2
Foam Cell Pro - Performance			45682FE	2
Foam Cell Pro - Performance		Suits 4" Lift	45682LFE	2
Foam Cell Pro - Performance		Suits 6" Lift	45682LFE1	2

COIL SPRINGS

	Est. Lift	Additional Load		
Medium	50mm	0 - 200kg	TOY025B	1
Medium - with Accessories	50mm	100 - 300kg	TOY013B	1
Medium - 4" Lift	100mm	0 - 300kg	TOY013C	1
Medium - 6" Lift	150mm	0 - 300kg	TOY061B	1
Heavy	50mm	200 - 400kg	TOY025C	1
Heavy - 4" Lift	100mm	300 - 500kg	TOY013D	1
Heavy - 6" Lift	150mm	300 - 500kg	TOY061C	1
Extra Heavy	55mm	400 - 500kg	TOY025D	1

PANHARD ROD

Adjustable Panhard Rod			PANHARD002	1
------------------------	--	--	-------------------	---

ADJUSTABLE TRAILING ARM

Upper Trailing Arm			UTA001	2
Lower Trailing Arm			LTA001	2

SWAY BAR LINK

Extended Sway Bar Link		Side Mount	SBEXT002	2
Extended Sway Bar Link		Under Mount	SBEXT005	2

COIL SPACER

Polyurethane 15mm			LCR15	2
Polyurethane 30mm			LCR30	2

BUSH KIT

Rubber Suspension Arm Bush Kit		W/ Standard Radius Arm Bushes	847RK	1
Rubber Suspension Arm Bush Kit		W/ Offset Radius Arm Bushes	847CRK	1

SUSPENSION KIT - Specify Front Coil Springs When Ordering

Medium - Nitro Gas			TOY024BKG
Medium - Foam Cell			TOY024BKF
Medium - Foam Cell	4" Lift	RH Drive	TOY012CKF1
Medium - Foam Cell	4" Lift	LH Drive	TOY012CKF1L
Medium - Foam Cell	6" Lift	RH Drive	TOY063BKF1
Medium - Foam Cell	6" Lift	LH Drive	TOY063BKF1L
Medium - Foam Cell Pro			TOY024BKP
Medium - Foam Cell Pro	4" Lift	RH Drive	TOY012CKP1
Medium - Foam Cell Pro	4" Lift	LH Drive	TOY012CKP1L
Medium - Foam Cell Pro	6" Lift	RH Drive	TOY063BKP1
Medium - Foam Cell Pro	6" Lift	LH Drive	TOY063BKP1L
Heavy - Nitro Gas			TOY024CKG
Heavy - Foam Cell			TOY024CKF
Heavy - Foam Cell	4" Lift	RH Drive	TOY012CKF2
Heavy - Foam Cell	4" Lift	LH Drive	TOY012CKF2L
Heavy - Foam Cell	6" Lift	RH Drive	TOY063BKF2
Heavy - Foam Cell	6" Lift	LH Drive	TOY063BKF2L
Heavy - Foam Cell Pro			TOY024CKP
Heavy - Foam Cell Pro	4" Lift	RH Drive	TOY012CKP2
Heavy - Foam Cell Pro	4" Lift	LH Drive	TOY012CKP2L
Heavy - Foam Cell Pro	6" Lift	RH Drive	TOY063BKP2
Heavy - Foam Cell Pro	6" Lift	LH Drive	TOY063BKP2L
Extra Heavy - Nitro Gas			TOY024DKG
Extra Heavy - Foam Cell			TOY024DKF
Extra Heavy - Foam Cell Pro			TOY024DKP

- 4" and 6" lifts may not be legal for on-road use in your area, certification may be required for on-road use. IRONMAN 4X4 accept no responsibility for any damage or injury caused by use of these products
- Due to the extreme nature of 4" and 6" lifts, further modifications may be required, and will vary between vehicles, such modifications are entirely the owners responsibility

50MM SUSPENSION KIT CONTENTS

Shock Absorbers Coil Springs

4" AND 6" SUSPENSION KIT CONTENTS

Shock Absorbers Coil Springs Panhard Rods Sway Bar Links
Caster Plates Brake Hoses Adjustable Trailing Arms



Toyota Landcruiser

Product Description

Part No.

Qty Req

Please check vehicle date range (if shown) next to product description prior to ordering

ACCESSORIES TO SUIT TOYOTA LANDCRUISER 79 SERIES SINGLE CAB - 1999+

STEEL WINCH BULL BARS (NO SIDE PLATES ON BAR)

Commercial Bull Bar - (9/2016+ Only)	BBC019SC	
Commercial Bull Bar - (2007 to 8/2016 Only)	BBC019E	
Deluxe Bull Bar - (1999 to 2007 Only)	BBCD018	
Premium Bull Bar - 60.3mm Tube - (9/2016+ Only)	BBP019SC	
Premium Bull Bar - 60.3mm Tube - (2007 to 8/2016 Only)	BBP019E	
Raid Bull Bar - Includes Integrated Recovery Points - (9/2016+ Only)	BBR019SC	
Raid Bull Bar Kit* - (9/2016+ Only)	BBR019SCK	
Bull Bar Multi-Function Light Patch Loom	IBBPLO19	
Driving Light / Lightbar Patch Loom (2007+)	IPLS019	
120W Bright Sabre Single Row Lightbar 812mm (32") Straight to suit Raid Bull Bar	ILBSR002BW	1

*Raid Bull Bars are compatible with IRONMAN 4X4 Lightbars and 20W Cube Lights, refer page 29-33 for available options

STEEL SIDE STEPS AND RAILS

Side Steps - (9/2016+ Only)	SS019SC	
Side Steps - (2007 to 8/2016 Only) - Dimple Step Design	SS016-D	
Side Rails - (9/2016+ Only)	SS019SC RAIL	
Side Steps and Rails - (9/2016+ Only)	SSR019SC	
Side Steps and Rails - (2007 to 8/2016 Only) - Dimple Step Design	SSR016-D	
Premium Side Steps - 60.3mm Tube - (9/2016+ Only)	SSP019SC	
Premium Side Rails - 60.3mm Tube - (9/2016+ Only)	SSP019SC RAIL	
Premium Side Steps and Rails - 60.3mm Tube - (9/2016+ Only)	SSRP019SC	
Premium Side Steps and Rails - 60.3mm Tube - (9/2016+ Only) - Dimple Step Design	SSRP019SC-D	
Premium Side Steps and Rails - 60.3mm Tube - (2007 to 8/2016 Only)	SSRP016	

RECOVERY POINTS - IRONMAN 4X4 BULL BAR ONLY

Recovery Points - 5000kg Rating (Pair) - (9/2016+ Only)	IRP019SC	
Recovery Points - 5000kg Rating (Pair) - (2007 to 8/2016 Only)	IRP019	

SNORKEL

Landcruiser 79 Series V8 - (2007+ Only)	ISNORKEL023	
Landcruiser 4.2L 1HZ Diesel - (1999 to 2007 Only)	ISNORKEL009	

PREMIUM UNDERBODY PROTECTION

Radiator and Steering Rods - (9/2016+ Only)	UBP019SC	
Radiator and Steering Rods - (2007 to 8/2016 Only)	UBP019	

BREATHER KIT

Universal Twin Manifold Filtered Breather Kit	IDIFFBRE	
---	----------	--

BULL BAR KIT* CONTENTS

Raid Bull Bar	Patch Loom	Driving Light Loom	Cube Light Adaptor	Lightbar	Cube Lights (4)
---------------	------------	--------------------	--------------------	----------	-----------------



79 Series (V8 TD) Single Cab
9/2016+
2007 to 8/2016
1999 to 2007

SUSPENSION TO SUIT

Toyota Landcruiser

Product Description

Part No.

Qty
Req

Please check vehicle date range (if shown) next to product description prior to ordering

SUSPENSION TO SUIT TOYOTA LANDCRUISER 79 SERIES SINGLE CAB - 1999+

FRONT SUSPENSION

SHOCK ABSORBER

Nitro Gas - Performance			12091GR	2
Foam Cell - Performance			24091FE	2
Foam Cell Pro - Performance			45091FE	2
Foam Cell Pro - Professional			45091FEP	2

COIL SPRINGS

	Est. Lift	Additional Load		
Light	40mm	0 - 50kg	TOY046A	1
Medium	50mm	0 - 50kg	TOY046B	1
Heavy	50mm	50 - 110kg	TOY046C	1
Medium - 4" Lift	100mm	0 - 50kg	TOY079B	1

STEERING DAMPER

Foam Cell	1999-2006		3524	1
Foam Cell	2007+		3525	1

CASTER CORRECTION

2° Offset Bush Kit - Polyurethane			1144SK	1
Adjustable Offset STD, 2.5, 3.5 Degree - Polyurethane			1144	1
2° Offset Bush Kit - Rubber			1144RK	1

STEERING RODS

Adjustable Drag Link	2007+ Wide Body Model Only		ADL070	1
Adjustable Track Rod	2007+ Wide Body Model Only		ATRO70	1

PANHARD ROD

Adjustable Panhard Rod	2007+ RHD Only		PANHARD013	1
Adjustable Panhard Rod	2007+ LHD Only		PANHARD013L	1

SWAY BAR

33mm Sway Bar	Narrow Body 1999-2007		ISB789F	1
33mm Sway Bar	Petrol Engines 2007+		ISB789FWP	1
33mm Sway Bar	Diesel Engines 2007+		ISB789FW	1

SWAY BAR LINK

Extended Sway Bar Link			SBEXT001	2
------------------------	--	--	-----------------	---

COIL SPACER

Polyurethane 30mm			LC70F30	2
-------------------	--	--	----------------	---

LISTING
CONTINUED
OVER THE
PAGE



Toyota Landcruiser

Product Description

Part No.

Qty Req

Please check vehicle date range (if shown) next to product description prior to ordering

REAR SUSPENSION

SHOCK ABSORBER

Nitro Gas - Comfort			12094GRC	2
Nitro Gas - Performance			12094GR	2
Foam Cell - Comfort			24094FEC	2
Foam Cell - Performance			24094FE	2
Foam Cell - Professional			24094FEP	2
Foam Cell - Extra Long - Comfort			24094LFEC	2
Foam Cell - Extra Long - Performance			24094LFE	2
Foam Cell - Extra Long - Professional			24094LFEP	2
Foam Cell Pro - Comfort			45094FEC	2
Foam Cell Pro - Performance			45094FE	2
Foam Cell Pro - Professional			45094FEP	2
Foam Cell Pro - Extra Long - Comfort			45094LFEC	2
Foam Cell Pro - Extra Long - Performance			45094LFE	2
Foam Cell Pro - Extra Long - Professional			45094LFEP	2

LEAF SPRINGS

	Est. Lift	Additional Load		
Light	50mm	0 - 150kg	TOY047A	2
Medium	50mm	0 - 250kg	TOY047B	2
Heavy	50mm	250 - 400kg	TOY047C	2
Extra Heavy	50mm	400kg - 600kg	TOY047D	2
Super Heavy	50mm	600kg - GVM	TOY047E	2

U-BOLTS

U-Bolt Kit			416UBK	2
U-Bolt Kit Extra Long	Suit TOY047D and TOY047E Spring		416UBKL	2

POLYURETHANE SPRING BUSHES

Bush Kit			1085UK	1
----------	--	--	--------	---

SWAY BAR

30mm Sway Bar (Includes Mounting Brackets)	2007+ Only		ISB789RW	1
--	------------	--	----------	---

GREASABLE SHACKLES AND PINS

Greasable Shackle			1141	2
Greasable Pin			1142	2

HELPER SPRINGS

Load Plus Helper Springs	Drum Brake Models Only		LP9	1
--------------------------	------------------------	--	-----	---

SUSPENSION KIT - Specify Front Coil Springs When Ordering

Light - Nitro Gas		TOY046AKG1
Light - Foam Cell		TOY046AKF1
Light - Foam Cell Pro		TOY046AKP1
Medium - Nitro Gas		TOY046BKG1
Medium - Foam Cell		TOY046BKF1
Medium - Foam Cell Pro		TOY046BKP1
Heavy - Nitro Gas		TOY046CKG1
Heavy - Foam Cell		TOY046CKF1
Heavy - Foam Cell Pro		TOY046CKP1
Extra Heavy - Nitro Gas		TOY046DKG1
Extra Heavy - Foam Cell		TOY046DKF1
Extra Heavy - Foam Cell Pro		TOY046DKP1
Super Heavy - Foam Cell		TOY046EKF1
Super Heavy - Foam Cell Pro		TOY046EKP1

SUSPENSION KIT CONTENTS

Shock Absorbers	Leaf Springs	Polyurethane Spring Bushes
Coil Springs	U-Bolts	

OPTIONS AVAILABLE FOR THIS VEHICLE - SEE PAGE 395





79 Series Dual Cab
2024+

Toyota Landcruiser

Product Description

Part No.

Qty
Req

Please check vehicle date range (if shown) next to product description prior to ordering

ACCESSORIES TO SUIT TOYOTA LANDCRUISER 79 SERIES DUAL CAB - 2024+

STEEL WINCH BULL BARS

Commercial Bull Bar	BBC114	
Deluxe Bull Bar	BBCD114	
Apex Bull Bar - 60.3mm Tube	BBP114C	
Apex Bull Bar Kit* - 60.3mm Tube	BBP114CK	
Raid Bull Bar - Includes Integrated Recovery Points	BBR114	
Raid Bull Bar Kit*	BBR114K	
Bull Bar Multi-Function Light Patch Loom	IBBPL114	
Driving Light / Lightbar Patch Loom	IPLS114	
120W Bright Sabre Single Row Lightbar 812mm (32") Straight to suit Raid Bull Bar	ILBSR002BW	1
<ul style="list-style-type: none"> • Apex and Raid Bull Bars are compatible with IRONMAN 4X4 Lightbars and 20W or 40W Cube Lights, refer page 29-33 for available options • Winch with Steel Cable and Roller Fairlead is not suitable - Use Winch with Synthetic Rope and Alloy Hawse only 		

STEEL SIDE STEPS AND RAILS - FITS DUAL CAB

Premium Side Steps - 60.3mm Tube - Dimple Step Design	SSP114-D	
Premium Side Rails - 60.3mm Tube	SSP114 RAIL	
Premium Side Steps and Rails - 60.3mm Tube - Dimple Step Design	SSRP114-D	

BREATHER KIT

Universal Twin Manifold Filtered Breather Kit	IDIFFBRE	
---	----------	--

BULL BAR KIT* CONTENTS

Apex Bull Bar	Bull Bar Patch Loom	Cube Lights (2)	Turn / Park Cube Lights (2)		
Raid Bull Bar	Patch Loom	Driving Light Loom	Cube Light Adaptor	Lightbar	Cube Lights (4)

Toyota Landcruiser

79 Series Dual Cab
2013 to 2023



Product Description

Part No.

Qty
Req

Please check vehicle date range (if shown) next to product description prior to ordering

ACCESSORIES TO SUIT TOYOTA LANDCRUISER 79 SERIES DUAL CAB - 2013-2023

STEEL WINCH BULL BARS (NO SIDE PLATES ON BAR)

Commercial Bull Bar	BBC019E	
Premium Bull Bar - 60.3mm Tube	BBP019E	
Raid Bull Bar - Includes Integrated Recovery Points	BBR019	
Raid Bull Bar Kit*	BBR019K	
Bull Bar Multi-Function Light Patch Loom	IBBPLO19	
Driving Light / Lightbar Patch Loom	IPLS019	
120W Bright Sabre Single Row Lightbar 812mm (32") Straight to suit Raid Bull Bar	ILBSR002BW	1

* Raid Bull Bars are compatible with IRONMAN 4X4 Lightbars and 20W Cube Lights, refer page 29-33 for available options

STEEL SIDE STEPS AND RAILS

Side Steps - Dimple Step Design	SS019-D	
Side Steps and Rails - Dimple Step Design	SSR019-D	
Premium Side Steps and Rails - 60.3mm Tube†	SSRP019	
Premium Side Steps - 60.3mm Tube - Dimple Step Design†	SSP019-D	
Premium Side Rails - 60.3mm Tube	SSP019 RAIL	
Premium Side Steps and Rails - 60.3mm Tube - Dimple Step Design†	SSRP019-D	

†May require the fitment of spacers under gearbox cross-member mount

RECOVERY POINTS - IRONMAN 4X4 BULL BAR ONLY

Recovery Points - 5000kg Rating (Pair)	IRP019	
--	--------	--

SNORKEL

Landcruiser 79 Series V8	ISNORKEL023	
--------------------------	-------------	--

PREMIUM UNDERBODY PROTECTION

Radiator and Steering Rods	UBP019	
----------------------------	--------	--

ATLAS DUAL CAB ROOF RACK KITS

Platform S with Blade Fit Kit (Dual Cab Only) - 1390mm Length	IFR019PSK	
Crossbar (x 2) and Fit Kit - 1650mm Width	IFR019C2K	

* See Page 38-41 for more Atlas rack, crossbar and accessory options.

STEEL ROOF RACKS

Cage Style - 1.4m x 1.25m	IRRCAGE14	
Rooftop Tent Compatible - 1.8m x 1.25m	IRRTENT18	

ALLOY ROOF RACKS

Cage Style - 1.8m x 1.25m	IRRCAGE18-ALLOY	
Trade Style - 1.4m x 1.25m (Open end)	IRROPEN14-ALLOY	
Trade Style - 1.8m x 1.25m (Open end)	IRRTRADE18-ALLOY	
Flat Rack - 1.8m x 1.25m	IRRTFLAT18-ALLOY	

BREATHER KIT

Universal Twin Manifold Filtered Breather Kit	IDIFFBRE	
---	----------	--

BULL BAR KIT* CONTENTS

Raid Bull Bar	Patch Loom	Driving Light Loom	Cube Light Adaptor	Lightbar	Cube Lights (4)
---------------	------------	--------------------	--------------------	----------	-----------------



79 Series Dual Cab
2013+

Toyota Landcruiser

Product Description

Part No.

Qty
Req

Please check vehicle date range (if shown) next to product description prior to ordering

SUSPENSION TO SUIT TOYOTA LANDCRUISER 79 SERIES DUAL CAB - 2013+

FRONT SUSPENSION

SHOCK ABSORBER

Nitro Gas - Performance			12091GR	2
Foam Cell - Performance			24091FE	2
Foam Cell Pro - Performance			45091FE	2
Foam Cell Pro - Professional			45091FEP	2

COIL SPRINGS

	Est. Lift	Additional Load		
Light	40mm	0 - 50kg	TOY046A	1
Medium	50mm	0 - 50kg	TOY046B	1
Medium - 4" Lift	100mm	0 - 50kg	TOY079B	1
Heavy	50mm	50 - 110kg	TOY046C	1

STEERING DAMPER

Foam Cell			3525	1
-----------	--	--	-------------	---

CASTER CORRECTION

2° Offset Bush Kit - Polyurethane			1144SK	1
Adjustable Offset STD, 2.5, 3.5 Degree - Polyurethane			1144	1
2° Offset Bush Kit - Rubber			1144RK	1

STEERING RODS

Adjustable Drag Link	2007+ Wide Body Model Only		ADL070	1
Adjustable Track Rod	2007+ Wide Body Model Only		ATR070	1

PANHARD ROD

Adjustable Panhard Rod	RHD Only		PANHARD013	1
Adjustable Panhard Rod	2007+ LHD Only		PANHARD013L	1

SWAY BAR

33mm Sway Bar	Petrol Engines		ISB789FWP	1
33mm Sway Bar	Diesel Engines		ISB789FW	1

SWAY BAR LINK

Extended Sway Bar Link			SBEXT001	2
------------------------	--	--	-----------------	---

COIL SPACER

Polyurethane 30mm			LC70F30	2
-------------------	--	--	----------------	---



Toyota Landcruiser

79 Series Dual Cab
2013+



Product Description

Part No.

Qty Req

Please check vehicle date range (if shown) next to product description prior to ordering

REAR SUSPENSION

SHOCK ABSORBER

Nitro Gas - Comfort			12094GRC	2
Nitro Gas - Performance			12094GR	2
Foam Cell - Comfort			24094FEC	2
Foam Cell - Performance			24094FE	2
Foam Cell - Professional			24094FEP	2
Foam Cell - Extra Long - Comfort			24094LFEC	2
Foam Cell - Extra Long - Performance			24094LFE	2
Foam Cell - Extra Long - Professional			24094LFEP	2
Foam Cell Pro - Comfort			45094FEC	2
Foam Cell Pro - Performance			45094FE	2
Foam Cell Pro - Professional			45094FEP	2
Foam Cell Pro - Extra Long - Comfort			45094LFEC	2
Foam Cell Pro - Extra Long - Performance			45094LFE	2
Foam Cell Pro - Extra Long - Professional			45094LFEP	2

LEAF SPRINGS

	Est. Lift	Additional Load		
Light	50mm	0 - 250kg	TOY047B	2
Medium	50mm	0 - 300kg	TOY047C	2
Heavy	50mm	300kg - 500kg	TOY047D	2
Extra Heavy	50mm	500kg - GVM	TOY047E	2

U-BOLTS

U-Bolt Kit			416UBK	2
U-Bolt Kit Extra Long	Suit TOY047D and TOY047E Spring		416UBKL	2

POLYURETHANE SPRING BUSHES

Bush Kit			1085UK	1
----------	--	--	--------	---

SWAY BAR

30mm Sway Bar	Includes Mounting Brackets		ISB789RW	1
---------------	----------------------------	--	----------	---

GREASABLE SHACKLES AND PINS

Greasable Shackle			1141	2
Greasable Pin			1142	2

HELPER SPRINGS

Load Plus Helper Springs	Drum Brake Models Only		LP9	1
--------------------------	------------------------	--	-----	---

SUSPENSION KIT - Specify Front Coil Springs When Ordering

Light - Nitro Gas		TOY046BKG1
Light - Foam Cell		TOY046BKF1
Light - Foam Cell Pro		TOY046BKP1
Medium - Nitro Gas		TOY046CKG1
Medium - Foam Cell		TOY046CKF1
Medium - Foam Cell Pro		TOY046CKP1
Heavy - Nitro Gas		TOY046DKG1
Heavy - Foam Cell		TOY046DKF1
Heavy - Foam Cell Pro		TOY046DKP1
Extra Heavy - Foam Cell		TOY046EKF1
Extra Heavy - Foam Cell Pro		TOY046EKP1

SUSPENSION KIT CONTENTS

Shock Absorbers	Leaf Springs	Polyurethane Spring Bushes
Coil Springs	U-Bolts	

OPTIONS AVAILABLE FOR THIS VEHICLE - SEE PAGE 396/397 (2024+) OR PAGE 398 (2012-2022)





78 Series Troop Carrier
2024+
2007 to 2023

Toyota Landcruiser

Product Description

Part No.

Qty
Req

Please check vehicle date range (if shown) next to product description prior to ordering

ACCESSORIES TO SUIT TOYOTA LANDCRUISER 78 SERIES - 2007+

STEEL WINCH BULL BARS (NO SIDE PLATES ON BAR)

Commercial Bull Bar - (2007 to 2023 Only)	BBC019E	
Apex Bull Bar - 60.3mm Tube - (2024+ Only)	BBP114C	
Apex Bull Bar Kit* - 60.3mm Tube - (2024+ Only)	BBP114CK	
Premium Bull Bar - 60.3mm Tube - (2007 to 2023 Only)	BBP019E	
Raid Bull Bar - Includes Integrated Recovery Points - (2024+ Only)	BBR114	
Raid Bull Bar Kit* - (2024+ Only)	BBR114K	
Raid Bull Bar - Includes Integrated Recovery Points - (2007 to 2023 Only)	BBR019	
Raid Bull Bar Kit* - (2007 to 2023 Only)	BBR019K	
Bull Bar Multi-Function Light Patch Loom - (2024+ Only)	IBBPL114	
Bull Bar Multi-Function Light Patch Loom - (2007 to 2023 Only)	IBBPL019	
Driving Light / Lightbar Patch Loom - (2024+ Only)	IPLS114	
Driving Light / Lightbar Patch Loom - (2007 to 2023 Only)	IPLS019	
120W Bright Sabre Single Row Lightbar 812mm (32") Straight to suit Raid Bull Bar	ILBSR002BW	1

• Apex and Raid Bull Bars are compatible with IRONMAN 4X4 Lightbars and 20W or 40W Cube Lights, refer page 29-33 for available options

SWING ARM REAR BARS

Rear Swing Arm Bar	RCB019LC78
Rear Swing Arm Wheel Carrier - RHS	RCBWHEELARM-R
Rear Swing Arm Jerry Carrier - RHS	RCBJERRYCAN-R
Rear Swing Arm Wheel Carrier - LHS	RCBWHEELARM-L
Rear Swing Arm Jerry Carrier - LHS	RCBJERRYCAN-L
Rear Swing Arm Bar Hi Lift Jack Adaptor	RCBHLJADAPTER
Rear Door Bag Set	RCBREARDOORBAGS
Map Console	RCBMAPCONSOLE

RECOVERY POINTS - IRONMAN 4X4 BULL BAR ONLY

Recovery Points - 5000kg Rating (Pair)	IRP019
--	--------

SNORKEL

Landcruiser 78 Series V8 - (2007 to 2023 Only)	ISNORKEL023
--	-------------

PREMIUM UNDERBODY PROTECTION

Radiator and Steering Rods - (2007 to 2023 Only)	UBP019
--	--------

STEEL ROOF RACKS

Cage Style - 1.4m x 1.25m	IRRCAGE14
Rooftop Tent Compatible - 1.8m x 1.25m	IRRTENT18
Rooftop Tent Compatible - 2.2m x 1.25m	IRRTENT22
Trade Style - 2.2m x 1.25m (Open end)	IRRTRADE22

ALLOY ROOF RACKS

Cage Style - 1.8m x 1.25m	IRRCAGE18-ALLOY
Cage Style - 2.2m x 1.25m	IRRCAGE22-ALLOY
Trade Style - 1.4m x 1.25m (Open end)	IRROPEN14-ALLOY
Trade Style - 1.8m x 1.25m (Open end)	IRRTRADE18-ALLOY
Trade Style - 2.2m x 1.25m (Open end)	IRRTRADE22-ALLOY
Flat Rack - 1.8m x 1.25m	IRRTFLAT18-ALLOY

BREATHER KIT

Universal Twin Manifold Filtered Breather Kit	IDIFFBRE
---	----------

BULL BAR KIT* CONTENTS

Apex Bull Bar	Bull Bar Patch Loom	Cube Lights (2)	Turn / Park Cube Lights (2)		
Raid Bull Bar	Patch Loom	Driving Light Loom	Cube Light Adaptor	Lightbar	Cube Lights (4)



Toyota Landcruiser

78 Series
2007+



Product Description

Part No.

Qty
Req

Please check vehicle date range (if shown) next to product description prior to ordering

SUSPENSION TO SUIT TOYOTA LANDCRUISER 78 SERIES - 2007+

FRONT SUSPENSION

SHOCK ABSORBER

Nitro Gas - Performance			12091GR	2
Foam Cell - Performance			24091FE	2
Foam Cell Pro - Performance			45091FE	2
Foam Cell Pro - Professional			45091FEP	2

COIL SPRINGS

	Est. Lift	Additional Load		
Light	40mm	0 - 50kg	TOY046A	1
Medium	50mm	0 - 50kg	TOY046B	1
Medium - 4" Lift	100mm	0 - 50kg	TOY079B	1
Heavy	50mm	50 - 110kg	TOY046C	1

STEERING DAMPER

Foam Cell	2007+		3525	1
-----------	-------	--	-------------	---

CASTER CORRECTION

2° Offset Bush Kit - Polyurethane			1144SK	1
Adjustable Offset STD, 2.5, 3.5 Degree - Polyurethane			1144	1
2° Offset Bush Kit - Rubber			1144RK	1

STEERING RODS

Adjustable Drag Link	2007+ Wide Body Model Only		ADL070	1
Adjustable Track Rod	2007+ Wide Body Model Only		ATRO70	1

PANHARD ROD

Adjustable Panhard Rod	2007+ RHD Only		PANHARD013	1
Adjustable Panhard Rod	2007+ LHD Only		PANHARD013L	1

SWAY BAR

33mm Sway Bar	Narrow Body 1999-2007		ISB789F	1
33mm Sway Bar	Petrol Engines 2007+		ISB789FWP	1
33mm Sway Bar	Diesel Engines 2007+		ISB789FW	1

SWAY BAR LINK

Extended Sway Bar Link			SBEXT001	2
------------------------	--	--	-----------------	---

COIL SPACER

Polyurethane 30mm			LC70F30	2
-------------------	--	--	----------------	---

78 Series
2007+

Toyota Landcruiser

Product Description

Part No.

Qty
Req

Please check vehicle date range (if shown) next to product description prior to ordering

REAR SUSPENSION

SHOCK ABSORBER

Nitro Gas - Comfort			12094GRC	2
Nitro Gas - Performance			12094GR	2
Foam Cell - Comfort			24094FEC	2
Foam Cell - Performance			24094FE	2
Foam Cell - Professional			24094FEP	2
Foam Cell - Extra Long - Comfort			24094LFEC	2
Foam Cell - Extra Long - Performance			24094LFE	2
Foam Cell - Extra Long - Professional			24094LFEP	2
Foam Cell Pro - Comfort			45094FEC	2
Foam Cell Pro - Performance			45094FE	2
Foam Cell Pro - Professional			45094FEP	2
Foam Cell Pro - Extra Long - Comfort			45094LFEC	2
Foam Cell Pro - Extra Long - Performance			45094LFE	2
Foam Cell Pro - Extra Long - Professional			45094LFEP	2

LEAF SPRINGS

	Est. Lift	Additional Load		
Light	50mm	0 - 150kg	TOY047A	2
Medium	50mm	0 - 250kg	TOY047B	2
Heavy	50mm	250 - 400kg	TOY047C	2
Extra Heavy	50mm	400kg - 600kg	TOY047D	2
Super Heavy	50mm	600kg - GVM	TOY047E	2

U-BOLTS

U-Bolt Kit			416UBK	2
U-Bolt Kit Extra Long	Suit TOY047D and TOY047E Spring		416UBKL	2

POLYURETHANE SPRING BUSHES

Bush Kit			1084UK	1
----------	--	--	---------------	---

SWAY BAR

30mm Sway Bar (Includes Mounting Brackets)	2007+ Only		ISB789RW	1
--	------------	--	-----------------	---

GREASABLE SHACKLES AND PINS

Greasable Shackle			1141	2
Greasable Pin			1142	2

HELPER SPRINGS

Load Plus Helper Springs	Drum Brake Models Only		LP9	1
--------------------------	------------------------	--	------------	---

SUSPENSION KIT - Specify Front Coil Springs When Ordering

Light - Nitro Gas		TOY046AKG
Light - Foam Cell		TOY046AKF
Light - Foam Cell Pro		TOY046AKP
Medium - Nitro Gas		TOY046BKG
Medium - Foam Cell		TOY046BKF
Medium - Foam Cell Pro		TOY046BKP
Heavy - Nitro Gas		TOY046CKG
Heavy - Foam Cell		TOY046CKF
Heavy - Foam Cell Pro		TOY046CKP
Extra Heavy - Nitro Gas		TOY046DKG
Extra Heavy - Foam Cell		TOY046DKF
Extra Heavy - Foam Cell Pro		TOY046DKP
Super Heavy - Foam Cell		TOY046EKF
Super Heavy - Foam Cell Pro		TOY046EKP

SUSPENSION KIT CONTENTS

Shock Absorbers	Leaf Springs	Polyurethane Spring Bushes
Coil Springs	U-Bolts	

OPTIONS AVAILABLE FOR THIS VEHICLE - SEE PAGE 399



You have entered Cruiser country!



{IRONMAN}
4X4



78 Series
1999 to 2007

ACCESSORIES TO SUIT

Toyota Landcruiser

Product Description

Part No.

Qty
Req

Please check vehicle date range (if shown) next to product description prior to ordering

ACCESSORIES TO SUIT TOYOTA LANDCRUISER 78 SERIES - 1999-2007

STEEL WINCH BULL BARS (NO SIDE PLATES ON BAR)

Deluxe Bull Bar BBCD018

SNORKEL

Landcruiser 4.2L 1HZ Diesel ISNORKEL009

STEEL ROOF RACKS

Cage Style - 1.4m x 1.25m IRRCAGE14

Rooftop Tent Compatible - 1.8m x 1.25m IRRTENT18

Rooftop Tent Compatible - 2.2m x 1.25m IRRTENT22

Trade Style - 2.2m x 1.25m (Open end) IRRTRADE22

ALLOY ROOF RACKS

Cage Style - 1.8m x 1.25m IRRCAGE18-ALLOY

Cage Style - 2.2m x 1.25m IRRCAGE22-ALLOY

Trade Style - 1.4m x 1.25m (Open end) IRROPEN14-ALLOY

Trade Style - 1.8m x 1.25m (Open end) IRRTRADE18-ALLOY

Trade Style - 2.2m x 1.25m (Open end) IRRTRADE22-ALLOY

Flat Rack - 1.8m x 1.25m IRRTFLAT18-ALLOY

BREATHER KIT

Universal Twin Manifold Filtered Breather Kit IDIFFBRE



Toyota Landcruiser

78 Series
1999 to 2007



Product Description

Part No.

Qty
Req

Please check vehicle date range (if shown) next to product description prior to ordering

SUSPENSION TO SUIT TOYOTA LANDCRUISER 78 SERIES - 1999-2007

FRONT SUSPENSION

SHOCK ABSORBER

Nitro Gas - Performance			12091GR	2
Foam Cell - Performance			24091FE	2
Foam Cell Pro - Performance			45091FE	2
Foam Cell Pro - Professional			45091FEP	2

COIL SPRINGS

	Est. Lift	Additional Load		
Light	40mm	0 - 50kg	TOY046A	1
Medium	50mm	0 - 50kg	TOY046B	1
Medium - 4" Lift	100mm	0 - 50kg	TOY079B	1
Heavy	50mm	50 - 110kg	TOY046C	1

STEERING DAMPER

Foam Cell	1999-2006		3524	1
Foam Cell	2007+		3525	1

CASTER CORRECTION

2° Offset Bush Kit - Polyurethane			1144SK	1
Adjustable Offset STD, 2.5, 3.5 Degree - Polyurethane			1144	1
2° Offset Bush Kit - Rubber			1144RK	1

PANHARD ROD

Adjustable Panhard Rod	2007+ RHD Only		PANHARD013	1
Adjustable Panhard Rod	2007+ LHD Only		PANHARD013L	1

SWAY BAR

33mm Sway Bar	Narrow Body 1999-2007		ISB789F	1
33mm Sway Bar	Petrol Engines 2007+		ISB789FWP	1
33mm Sway Bar	Diesel Engines 2007+		ISB789FW	1

SWAY BAR LINK

Extended Sway Bar Link			SBEXT001	2
------------------------	--	--	-----------------	---

COIL SPACER

Polyurethane 30mm			LC70F30	2
-------------------	--	--	----------------	---



78 Series
1999 to 2007

SUSPENSION TO SUIT

Toyota Landcruiser

Product Description

Part No.

Qty Req

Please check vehicle date range (if shown) next to product description prior to ordering

REAR SUSPENSION

SHOCK ABSORBER

Nitro Gas - Comfort			12094GRC	2
Nitro Gas - Performance			12094GR	2
Foam Cell - Comfort			24094FEC	2
Foam Cell - Performance			24094FE	2
Foam Cell - Professional			24094FEP	2
Foam Cell - Extra Long - Comfort			24094LFEC	2
Foam Cell - Extra Long - Performance			24094LFE	2
Foam Cell - Extra Long - Professional			24094LFEP	2
Foam Cell Pro - Comfort			45094FEC	2
Foam Cell Pro - Performance			45094FE	2
Foam Cell Pro - Professional			45094FEP	2
Foam Cell Pro - Extra Long - Comfort			45094LFEC	2
Foam Cell Pro - Extra Long - Performance			45094LFE	2
Foam Cell Pro - Extra Long - Professional			45094LFEP	2

LEAF SPRINGS

	Est. Lift	Additional Load		
Light	50mm	0 - 150kg	TOY047A	2
Medium	50mm	0 - 250kg	TOY047B	2
Heavy	50mm	250 - 400kg	TOY047C	2
Extra Heavy	50mm	400kg - 600kg	TOY047D	2
Super Heavy	50mm	600kg - GVM	TOY047E	2

U-BOLTS

U-Bolt Kit			416UBK	2
U-Bolt Kit Extra Long	Suit TOY047D and TOY047E Spring		416UBKL	2

POLYURETHANE SPRING BUSHES

Bush Kit			1084UK	1
----------	--	--	--------	---

SWAY BAR

30mm Sway Bar (Includes Mounting Brackets)	2007+ Only		ISB789RW	1
--	------------	--	----------	---

GREASABLE SHACKLES AND PINS

Greasable Shackle			1141	2
Greasable Pin			1142	2

HELPER SPRINGS

Load Plus Helper Springs	Drum Brake Models Only		LP9	1
--------------------------	------------------------	--	-----	---

SUSPENSION KIT - Specify Front Coil Springs When Ordering

Light - Nitro Gas		TOY046AKG
Light - Foam Cell		TOY046AKF
Light - Foam Cell Pro		TOY046AKP
Medium - Nitro Gas		TOY046BKG
Medium - Foam Cell		TOY046BKF
Medium - Foam Cell Pro		TOY046BKP
Heavy - Nitro Gas		TOY046CKG
Heavy - Foam Cell		TOY046CKF
Heavy - Foam Cell Pro		TOY046CKP
Extra Heavy - Nitro Gas		TOY046DKG
Extra Heavy - Foam Cell		TOY046DKF
Extra Heavy - Foam Cell Pro		TOY046DKP
Super Heavy - Foam Cell		TOY046EKF
Super Heavy - Foam Cell Pro		TOY046EKP

SUSPENSION KIT CONTENTS

Shock Absorbers	Leaf Springs	Polyurethane Spring Bushes
Coil Springs	U-Bolts	

Alu-Cab™

ULTIMATE OVERLAND PRODUCTS



Built for adventure!

{ IRONMAN }
4X4



76 Series
2024+
2007 to 2023

ACCESSORIES TO SUIT

Toyota Landcruiser

Product Description

Part No.

Qty
Req

Please check vehicle date range (if shown) next to product description prior to ordering

ACCESSORIES TO SUIT TOYOTA LANDCRUISER 76 SERIES - 2007+

STEEL WINCH BULL BARS (NO SIDE PLATES ON BAR)

Commercial Bull Bar - (2007 to 2023 Only)	BBC019E	
Apex Bull Bar - 60.3mm Tube - (2024+ Only)	BBP114C	
Apex Bull Bar Kit* - 60.3mm Tube - (2024+ Only)	BBP114CK	
Premium Bull Bar - 60.3mm Tube - (2007 to 2023 Only)	BBP019E	
Raid Bull Bar - Includes Integrated Recovery Points - (2024+ Only)	BBR114	
Raid Bull Bar Kit* - (2024+ Only)	BBR114K	
Raid Bull Bar - Includes Integrated Recovery Points - (2007 to 2023 Only)	BBR019	
Raid Bull Bar Kit* - (2007 to 2023 Only)	BBR019K	
Bull Bar Multi-Function Light Patch Loom - (2024+ Only)	IBBPL114	
Bull Bar Multi-Function Light Patch Loom - (2007 to 2023 Only)	IBBPL019	
Driving Light / Lightbar Patch Loom - (2024+ Only)	IPLS114	
Driving Light / Lightbar Patch Loom - (2007 to 2023 Only)	IPLS019	
120W Bright Sabre Single Row Lightbar 812mm (32") Straight to suit Raid Bull Bar	ILBSR002BW	1

* Apex and Raid Bull Bars are compatible with IRONMAN 4X4 Lightbars and 20W or 40W Cube Lights, refer page 29-33 for available options

STEEL SIDE STEPS AND RAILS

Side Steps - (2007 to 2023 Only)	SS015	
Side Steps and Rails - (2007 to 2023 Only)	SSR015	
Premium Side Steps and Rails - 60.3mm Tube - (2007 to 2023 Only)	SSRP015	

SWING ARM REAR BARS

Rear Swing Arm Bar	RCB019LC76	
Rear Swing Arm Wheel Carrier - RHS	RCBWHEELARM-R	
Rear Swing Arm Jerry Carrier - RHS	RCBJERRYCAN-R	
Rear Swing Arm Wheel Carrier - LHS	RCBWHEELARM-L	
Rear Swing Arm Jerry Carrier - LHS	RCBJERRYCAN-L	
Rear Swing Arm Bar Hi Lift Jack Adaptor	RCBHLJADAPTER	
Rear Door Bag Set	RCBREARDOORBAGS	
Cargo Barrier	RCBCARGOBARRIER	
Map Console	RCBMAPCONSOLE	

RECOVERY POINTS - IRONMAN 4X4 BULL BAR ONLY

Recovery Points - 5000kg Rating (Pair)	IRP019	
--	--------	--

SNORKEL

Landcruiser V8 - (2007 to 2023 Only)	ISNORKEL023	
--------------------------------------	-------------	--

*Does not suit vehicle with DPF

PREMIUM UNDERBODY PROTECTION

Radiator and Steering Rods - (2007 to 2023 Only)	UBP019	
--	--------	--

LONG RANGE FUEL TANK

160L* Diesel - (76 Series up to 11/2012 Only)	TANK001	
---	---------	--

* Usable volume may differ to the stated tank capacity

STEEL ROOF RACKS

Cage Style - 1.4m x 1.25m	IRRCAGE14	
Rooftop Tent Compatible - 1.8m x 1.25m	IRRTENT18	
Rooftop Tent Compatible - 2.2m x 1.25m	IRRTENT22	
Trade Style - 2.2m x 1.25m (Open end)	IRRTRADE22	

ALLOY ROOF RACKS

Cage Style - 1.8m x 1.25m	IRRCAGE18-ALLOY	
Cage Style - 2.2m x 1.25m	IRRCAGE22-ALLOY	
Trade Style - 1.8m x 1.25m (Open end)	IRRTRADE18-ALLOY	
Trade Style - 2.2m x 1.25m (Open end)	IRRTRADE22-ALLOY	
Flat Rack - 1.8m x 1.25m	IRRTFLAT18-ALLOY	

BREATHER KIT

Universal Twin Manifold Filtered Breather Kit	IDIFFBRE	
---	----------	--

BULL BAR KIT* CONTENTS

Apex Bull Bar	Bull Bar Patch Loom	Cube Lights (2)	Turn / Park Cube Lights (2)		
Raid Bull Bar	Patch Loom	Driving Light Loom	Cube Light Adaptor	Lightbar	Cube Lights (4)



Toyota Landcruiser

76 Series
2007+



Product Description

Part No.

Qty
Req

Please check vehicle date range (if shown) next to product description prior to ordering

SUSPENSION TO SUIT TOYOTA LANDCRUISER 76 SERIES - 2007+

FRONT SUSPENSION

SHOCK ABSORBER

Nitro Gas - Performance			12091GR	2
Foam Cell - Performance			24091FE	2
Foam Cell Pro - Performance			45091FE	2
Foam Cell Pro - Professional			45091FEP	2

COIL SPRINGS

	Est. Lift	Additional Load		
Light	40mm	0 - 50kg	TOY046A	1
Medium	50mm	0 - 50kg	TOY046B	1
Medium - 4" Lift	100mm	0 - 50kg	TOY079B	1
Heavy	50mm	50 - 110kg	TOY046C	1

STEERING DAMPER

Foam Cell			3525	1
-----------	--	--	-------------	---

CASTER CORRECTION

2° Offset Bush Kit - Polyurethane			1144SK	1
Adjustable Offset STD, 2.5, 3.5 Degree - Polyurethane			1144	1
2° Offset Bush Kit - Rubber			1144RK	1

PANHARD ROD

Adjustable Panhard Rod	RHD Only		PANHARD013	1
Adjustable Panhard Rod	2007+ LHD Only		PANHARD013L	1

SWAY BAR

33mm Sway Bar	Petrol Engines		ISB789FWP	1
33mm Sway Bar	Diesel Engines		ISB789FW	1

SWAY BAR LINK

Extended Sway Bar Link			SBEXT001	2
------------------------	--	--	-----------------	---

COIL SPACER

Polyurethane 30mm			LC70F30	2
-------------------	--	--	----------------	---



76 Series
2007+

Toyota Landcruiser

Product Description

Part No.

Qty Req

Please check vehicle date range (if shown) next to product description prior to ordering

REAR SUSPENSION

SHOCK ABSORBER

Nitro Gas - Comfort			12094GRC	2
Nitro Gas - Performance			12094GR	2
Foam Cell - Comfort			24094FEC	2
Foam Cell - Performance			24094FE	2
Foam Cell - Professional			24094FEP	2
Foam Cell - Extra Long - Comfort			24094LFEC	2
Foam Cell - Extra Long - Performance			24094LFE	2
Foam Cell - Extra Long - Professional			24094LFEP	2
Foam Cell Pro - Comfort			45094FEC	2
Foam Cell Pro - Performance			45094FE	2
Foam Cell Pro - Professional			45094FEP	2
Foam Cell Pro - Extra Long - Comfort			45094LFEC	2
Foam Cell Pro - Extra Long - Performance			45094LFE	2
Foam Cell Pro - Extra Long - Professional			45094LFEP	2

LEAF SPRINGS

	Est. Lift	Additional Load		
Medium	50mm	0 - 300kg	TOY062B	2
Heavy	50mm	300 - 600kg	TOY062C	2
Extra Heavy	50mm	600kg - GVM	TOY062D	2

U-BOLTS

U-Bolt Kit			416UBK	2
------------	--	--	--------	---

POLYURETHANE SPRING BUSHES

Bush Kit			1085UK	1
----------	--	--	--------	---

GREASABLE SHACKLES AND PINS

Greasable Shackle			1141-1	2
Greasable Shackle Extended 20mm			1141	2
Greasable Pin			1142	2

SWAY BAR

30mm Sway Bar	Includes Mounting Brackets		ISB789RW	1
---------------	----------------------------	--	----------	---

HELPER SPRINGS

Load Plus Helper Springs			LP4	1
--------------------------	--	--	-----	---

SUSPENSION KIT - Specify Front Coil Springs When Ordering

Medium - Nitro Gas			TOY062BKG
Medium - Foam Cell			TOY062BKF
Medium - Foam Cell Pro			TOY062BKP
Heavy - Nitro Gas			TOY062CKG
Heavy - Foam Cell			TOY062CKF
Heavy - Foam Cell Pro			TOY062CKP
Extra Heavy - Nitro Gas			TOY062DKG
Extra Heavy - Foam Cell			TOY062DKF
Extra Heavy - Foam Cell Pro			TOY062DKP

SUSPENSION KIT CONTENTS

Shock Absorbers	Coil Springs	Polyurethane Spring Bushes
Leaf Springs	U-Bolts	

OPTIONS AVAILABLE FOR THIS VEHICLE - SEE PAGE 400 (2024+ ONLY)



Toyota Landcruiser

75 Series
1984 to 1999



Product Description

Part No.

Qty
Req

Please check vehicle date range (if shown) next to product description prior to ordering

ACCESSORIES TO SUIT TOYOTA LANDCRUISER 75 SERIES - 1984-1999

STEEL WINCH BULL BARS (NO SIDE PLATES ON BAR)

Deluxe Bull Bar

BBCD018

SNORKEL

Landcruiser 4.2L 1HZ Diesel

ISNORKEL009

BREATHER KIT

Universal Twin Manifold Filtered Breather Kit

IDIFFBRE



75 Series
1984 to 1999

Toyota Landcruiser

Product Description

Part No.

Qty
Req

Please check vehicle date range (if shown) next to product description prior to ordering

SUSPENSION TO SUIT TOYOTA LANDCRUISER 75 SERIES - 1984-1999

FRONT SUSPENSION

SHOCK ABSORBER

Nitro Gas - Comfort			12637GRC	2
Nitro Gas - Performance			12637GR	2
Foam Cell - Comfort			24637FEC	2
Foam Cell - Performance			24637FE	2
Foam Cell Pro - Comfort			45637FEC	2
Foam Cell Pro - Performance			45637FE	2

LEAF SPRINGS

	Est. Lift	Additional Load		
Medium	50mm	0 - 50kg	TOY008B	2
Heavy	50mm	50 - 100kg	TOY008C	2

STEERING DAMPER

Foam Cell			3524	1
-----------	--	--	------	---

U-BOLTS

U-Bolt Kit			436UBK	2
------------	--	--	--------	---

POLYURETHANE SPRING BUSHES

Bush Kit			719UK	1
----------	--	--	-------	---

GREASABLE SHACKLES AND PINS

Greasable Shackle	Left Hand Side		348LH	1
Greasable Shackle	Right Hand Side		348RH	1
Greasable Pin			351	2

REAR SUSPENSION

SHOCK ABSORBER

Nitro Gas - Comfort			12081GRC	2
Nitro Gas - Performance			12081GR	2
Foam Cell - Comfort			24081FEC	2
Foam Cell - Performance			24081FE	2
Foam Cell - Professional			24081FEP	2
Foam Cell Pro - Comfort			45081FEC	2
Foam Cell Pro - Performance			45081FE	2
Foam Cell Pro - Professional			45081FEP	2

LEAF SPRINGS

	Est. Lift	Additional Load		
Medium	50mm	0 - 200kg	TOY009B	2
Heavy	50mm	200 - 400kg	TOY009C	2
Extra Heavy	50mm	400 - 600kg	TOY009D	2
Super Heavy	50mm	600kg - GVM	TOY009E	2

U-BOLTS

U-Bolt Kit			416UBK	2
------------	--	--	--------	---

POLYURETHANE SPRING BUSHES

Bush Kit			720UK	1
----------	--	--	-------	---

GREASABLE SHACKLES AND PINS

Greasable Shackle	Left Hand Side		353LH	1
Greasable Shackle	Right Hand Side		353RH	1
Greasable Pin			354	2

HELPER SPRINGS

Load Plus Helper Springs	Drum Brake Models Only		LP4	1
--------------------------	------------------------	--	-----	---

SUSPENSION KIT

Medium - Nitro Gas	TOY008BKG
Medium - Foam Cell	TOY008BKF
Medium - Foam Cell Pro	TOY008BKP
Heavy - Nitro Gas	TOY008CKG
Heavy - Foam Cell	TOY008CKF
Heavy - Foam Cell Pro	TOY008CKP
Extra Heavy - Nitro Gas	TOY009DKG
Extra Heavy - Foam Cell	TOY009DKF
Extra Heavy - Foam Cell Pro	TOY009DKP
Super Heavy - Nitro Gas	TOY009EKG
Super Heavy - Foam Cell	TOY009EKF
Super Heavy - Foam Cell Pro	TOY009EKP

SUSPENSION KIT CONTENTS

Shock Absorbers

Leaf Springs

U-Bolts

Polyurethane Spring Bushes

Toyota Landcruiser II

Prado 70, 73, 78 Series
1990 to 1996



Product Description

Part No.

Qty
Req

Please check vehicle date range (if shown) next to product description prior to ordering

SUSPENSION TO SUIT TOYOTA LANDCRUISER II - 1990-1996

FRONT SUSPENSION

SHOCK ABSORBER

Nitro Gas - Performance			12696GR	2
Foam Cell - Performance			24696FE	2

COIL SPRINGS

	Est. Lift	Additional Load		
Medium	50mm	0 - 50kg	TOY048B	1
Heavy	50mm	50 - 100kg	TOY048C	1

STEERING DAMPER

Foam Cell			3524	1
-----------	--	--	-------------	---

REAR SUSPENSION

SHOCK ABSORBER

Nitro Gas - Performance			12697GR	2
Foam Cell - Performance			24697FE	2

COIL SPRINGS

	Est. Lift	Additional Load		
Medium - MWB	50mm	0 - 150kg	TOY049B	1
Heavy - LWB	50mm	150 - 300kg	TOY049C	1

SUSPENSION KIT - Specify Front Coil Springs When Ordering

Medium - Nitro Gas	TOY048BKG
Medium - Foam Cell	TOY048BKF
Heavy - Nitro Gas	TOY048CKG
Heavy - Foam Cell	TOY048CKF

SUSPENSION KIT CONTENTS

Shock Absorbers

Coil Springs



1984 to 1989

SUSPENSION TO SUIT

Toyota Bundera

Product Description

Part No.

Qty
Req

Please check vehicle date range (if shown) next to product description prior to ordering

SUSPENSION TO SUIT TOYOTA BUNDERA - 1984-1989

FRONT SUSPENSION

SHOCK ABSORBER

Nitro Gas - Performance			12091GR	2
Foam Cell - Performance			24091FE	2

COIL SPRINGS

	Est. Lift	Additional Load		
Medium	50mm	0 - 50kg	TOY018B	1

STEERING DAMPER

Foam Cell			3524	1
-----------	--	--	-------------	---

REAR SUSPENSION

SHOCK ABSORBER

Nitro Gas - Performance	Left Hand Side		12639GRS	1
Nitro Gas - Performance	Right Hand Side		12650GR	1
Foam Cell - Performance	Left Hand Side		24639FES	1
Foam Cell - Performance	Right Hand Side		24650FE	1

COIL SPRINGS

	Est. Lift	Additional Load		
Medium	50mm	0 - 200kg	TOY019B	1

SUSPENSION KIT

Medium - Nitro Gas	TOY018BKG
Medium - Foam Cell	TOY018BKF

SUSPENSION KIT CONTENTS

Shock Absorbers Coil Springs

Toyota Landcruiser

71 Series (Coil/Leaf)
1999+



Product Description

Part No.

Qty
Req

Please check vehicle date range (if shown) next to product description prior to ordering

SUSPENSION TO SUIT TOYOTA LANDCRUISER 71 SERIES - 1999+

FRONT SUSPENSION

SHOCK ABSORBER

Nitro Gas - Performance			12091GR	2
Foam Cell - Performance			24091FE	2
Foam Cell Pro - Performance			45091FE	2
Foam Cell Pro - Professional			45091FEP	2

COIL SPRINGS

	Est. Lift	Additional Load		
Light	40mm	0 - 50kg	TOY046A	1
Medium	50mm	0 - 50kg	TOY046B	1
Heavy	50mm	50 - 110kg	TOY046C	1

STEERING DAMPER

Foam Cell			3525	1
-----------	--	--	------	---

CASTER CORRECTION

2° Offset Bush Kit - Polyurethane			1144SK	1
Adjustable Offset STD, 2.5, 3.5 Degree - Polyurethane			1144	1
2° Offset Bush Kit - Rubber			1144RK	1

SWAY BAR LINK

Extended Sway Bar Link			SBEXT001	2
------------------------	--	--	----------	---

COIL SPACER

Polyurethane 30mm			LC70F30	2
-------------------	--	--	---------	---

REAR SUSPENSION

SHOCK ABSORBER

Nitro Gas - Comfort			12081GRC	2
Nitro Gas - Performance			12081GR	2
Foam Cell - Comfort			24081FEC	2
Foam Cell - Performance			24081FE	2
Foam Cell - Professional			24081FEP	2
Foam Cell Pro - Comfort			45081FEC	2
Foam Cell Pro - Performance			45081FE	2
Foam Cell Pro - Professional			45081FEP	2

LEAF SPRINGS

	Est. Lift	Additional Load		
Light	50mm	0 - 150kg	TOY007AD/S	2
Medium	50mm	0 - 250kg	TOY007BD/S	2
Heavy	50mm	250kg - GVM	TOY007CD/S	2

U-BOLTS

U-Bolt Kit			415UBK	2
------------	--	--	--------	---

POLYURETHANE SPRING BUSHES

Bush Kit			1185UK	1
----------	--	--	--------	---

GREASABLE SHACKLES AND PINS

Greasable Shackle			1141-1	2
Greasable Shackle		Extra long	1141	2
Greasable Pin			1142	2

SUSPENSION KIT - Specify Front Coil Springs When Ordering

Light - Nitro Gas	TOY058AKG
Light - Foam Cell	TOY058AKF
Light - Foam Cell Pro	TOY058AKP
Medium - Nitro Gas	TOY058BKG
Medium - Foam Cell	TOY058BKF
Medium - Foam Cell Pro	TOY058BKP
Heavy - Nitro Gas	TOY058CKG
Heavy - Foam Cell	TOY058CKF
Heavy - Foam Cell Pro	TOY058CKP

SUSPENSION KIT CONTENTS

Shock Absorbers	Leaf Springs	U-Bolts	Polyurethane Spring Bushes
Leaf Springs			



70, 73, 74 Series (Leaf/Leaf)
1984 to 1988

Toyota Landcruiser

Product Description

Part No.

Qty
Req

Please check vehicle date range (if shown) next to product description prior to ordering

SUSPENSION TO SUIT TOYOTA LANDCRUISER 70, 73, 74 SERIES - 1984-1988

FRONT SUSPENSION

SHOCK ABSORBER

Nitro Gas - Comfort			12637GRC	2
Nitro Gas - Performance			12637GR	2
Foam Cell - Comfort			24637FEC	2
Foam Cell - Performance			24637FE	2
Foam Cell Pro - Comfort			45637FEC	2
Foam Cell Pro - Performance			45637FE	2

LEAF SPRINGS

	Est. Lift	Additional Load		
Medium	50mm	0 - 100kg	TOY008B	2

STEERING DAMPER

Foam Cell			3524	1
-----------	--	--	-------------	---

U-BOLTS

U-Bolt Kit			436UBK	2
------------	--	--	---------------	---

POLYURETHANE SPRING BUSHES

Bush Kit			719UK	1
----------	--	--	--------------	---

GREASABLE SHACKLES AND PINS

Greasable Shackle	Left Hand Side		348LH	1
Greasable Shackle	Right Hand Side		348RH	1
Greasable Pin			351	2

REAR SUSPENSION

SHOCK ABSORBER

Nitro Gas - Comfort			12650GRC	2
Nitro Gas - Performance			12650GR	2
Foam Cell - Comfort			24650FEC	2
Foam Cell - Performance			24650FE	2
Foam Cell - Professional			24650FEP	2
Foam Cell Pro - Comfort			45650FEC	2
Foam Cell Pro - Performance			45650FE	2
Foam Cell Pro - Professional			45650FEP	2

LEAF SPRINGS

	Est. Lift	Additional Load		
Light	50mm	0 - 200kg	TOY007AN/S	2
Medium	50mm	0 - 200kg	TOY007BN/S	2

U-BOLTS

U-Bolt Kit			415UBK	2
------------	--	--	---------------	---

POLYURETHANE SPRING BUSHES

Bush Kit			719UK	1
----------	--	--	--------------	---

GREASABLE SHACKLES AND PINS

Greasable Shackle	Left Hand Side		353LH	1
Greasable Shackle	Right Hand Side		353RH	1
Greasable Pin			354	2

HELPER SPRINGS

Load Plus Helper Springs			LP4	1
--------------------------	--	--	------------	---

SUSPENSION KIT

Light - Nitro Gas	TOY016AKG
Light - Foam Cell	TOY016AKF
Light - Foam Cell Pro	TOY016AKP
Medium - Nitro Gas	TOY016BKG
Medium - Foam Cell	TOY016BKF
Medium - Foam Cell Pro	TOY016BKP

SUSPENSION KIT CONTENTS

Shock Absorbers

Leaf Springs

U-Bolts

Polyurethane Spring Bushes

Toyota Landcruiser

60 Series
11/1980 to 11/1989



Product Description

Part No.

Qty
Req

Please check vehicle date range (if shown) next to product description prior to ordering

ACCESSORIES TO SUIT TOYOTA LANDCRUISER 60 SERIES - 11/1980-11/1989

STEEL ROOF RACKS

Cage Style - 1.4m x 1.25m	IRRCA14
Rooftop Tent Compatible - 1.8m x 1.25m	IRRTENT18
Rooftop Tent Compatible - 2.2m x 1.25m	IRRTENT22
Trade Style - 2.2m x 1.25m (Open end)	IRRTRADE22

ALLOY ROOF RACKS

Cage Style - 1.8m x 1.25m	IRRCAGE18-ALLOY
Cage Style - 2.2m x 1.25m	IRRCAGE22-ALLOY
Trade Style - 1.4m x 1.25m (Open end)	IRROPEN14-ALLOY
Trade Style - 1.8m x 1.25m (Open end)	IRRTRADE18-ALLOY
Trade Style - 2.2m x 1.25m (Open end)	IRRTRADE22-ALLOY
Flat Rack - 1.8m x 1.25m	IRRTFLAT18-ALLOY

BREATHER KIT

Universal Twin Manifold Filtered Breather Kit	IDIFFBRE
---	----------

SUSPENSION TO SUIT TOYOTA LANDCRUISER 60 SERIES - 11/1980-11/1989

FRONT SUSPENSION

SHOCK ABSORBER

Nitro Gas - Comfort	12637GRC	2
Nitro Gas - Performance	12637GR	2
Foam Cell - Comfort	24637FEC	2
Foam Cell - Performance	24637FE	2
Foam Cell Pro - Comfort	45637FEC	2
Foam Cell Pro - Performance	45637FE	2

LEAF SPRINGS

	Est. Lift	Additional Load		
Petrol	50mm	0 - 80kg	TOY006B	2
Diesel or Bullbar	50mm	50 - 100kg	TOY006C	2
Turbo Diesel	50mm	50 - 100kg	TOY006D	2

STEERING DAMPER

Foam Cell	3524	1
-----------	------	---

U-BOLTS

U-Bolt Kit	436UBK	2
------------	--------	---

POLYURETHANE SPRING BUSHES

Bush Kit	719UK	1
----------	-------	---

GREASABLE SHACKLES AND PINS

Greasable Shackle	Left Hand Side	348LH	1
Greasable Shackle	Right Hand Side	348RH	1
Greasable Pin		351	2



60 Series
1986+

Toyota Landcruiser

Product Description

Part No.

Qty
Req

Please check vehicle date range (if shown) next to product description prior to ordering

REAR SUSPENSION

SHOCK ABSORBER

Nitro Gas - Comfort			12650GRC	2
Nitro Gas - Performance			12650GR	2
Foam Cell - Comfort			24650FEC	2
Foam Cell - Performance			24650FE	2
Foam Cell - Professional			24650FEP	2
Foam Cell Pro - Comfort			45650FEC	2
Foam Cell Pro - Performance			45650FE	2
Foam Cell Pro - Professional			45650FEP	2

LEAF SPRINGS

	Est. Lift	Additional Load		
Light - Drivers Side	50mm	0 - 200kg	TOY007AD/S	1
Light - Near Side	50mm	0 - 200kg	TOY007AN/S	1
Medium - Drivers Side	50mm	0 - 200kg	TOY007BD/S	1
Medium - Near Side	50mm	0 - 200kg	TOY007BN/S	1
Heavy - Drivers Side	50mm	200kg - GVM	TOY007CD/S	1
Heavy - Near Side	50mm	200kg - GVM	TOY007CN/S	1

• Side hinge barn door models may require (D/S-D/S) or (N/S-N/S) rear spring configuration to maintain level

U-BOLTS

U-Bolt Kit			415UBK	2
------------	--	--	--------	---

POLYURETHANE SPRING BUSHES

Bush Kit			719UK	1
----------	--	--	-------	---

GREASABLE SHACKLES AND PINS

Greasable Shackle	Left Hand Side		353LH	1
Greasable Shackle	Right Hand Side		353RH	1
Greasable Pin			351	2

HELPER SPRINGS

Load Plus Helper Springs			LP4	1
--------------------------	--	--	-----	---

SUSPENSION KIT

Light - Nitro Gas	Petrol	TOY006AKG3
Light - Foam Cell	Petrol	TOY006AKF3
Light - Foam Cell Pro	Petrol	TOY006AKP3
Light - Nitro Gas	Diesel	TOY006AKG2
Light - Foam Cell	Diesel	TOY006AKF2
Light - Foam Cell Pro	Diesel	TOY006AKP2
Medium - Nitro Gas	Petrol	TOY006BKG2
Medium - Foam Cell	Petrol	TOY006BKF2
Medium - Foam Cell Pro	Petrol	TOY006BKP2
Medium - Nitro Gas	Diesel	TOY006CKG2
Medium - Foam Cell	Diesel	TOY006CKF2
Medium - Foam Cell Pro	Diesel	TOY006CKP2
Heavy - Nitro Gas	Petrol	TOY007BKG2
Heavy - Foam Cell	Petrol	TOY007BKF2
Heavy - Foam Cell Pro	Petrol	TOY007BKP2
Heavy - Nitro Gas	Diesel	TOY007CKG2
Heavy - Foam Cell	Diesel	TOY007CKF2
Heavy - Foam Cell Pro	Diesel	TOY007CKP2

SUSPENSION KIT CONTENTS

Shock Absorbers

Leaf Springs

U-Bolts

Polyurethane Spring Bushes

Toyota Landcruiser

60 Series
Pre 1986



Product Description

Part No.

Qty
Req

Please check vehicle date range (if shown) next to product description prior to ordering

SUSPENSION TO SUIT TOYOTA LANDCRUISER 60 SERIES - PRE 1986

FRONT SUSPENSION

SHOCK ABSORBER

Nitro Gas - Comfort			12637GRC	2
Nitro Gas - Performance			12637GR	2
Foam Cell - Comfort			24637FEC	2
Foam Cell - Performance			24637FE	2
Foam Cell Pro - Comfort			45637FEC	2
Foam Cell Pro - Performance			45637FE	2

LEAF SPRINGS

	Est. Lift	Additional Load		
Petrol	50mm	0 - 80kg	TOY006B	2
Diesel or Bullbar	50mm	50 - 100kg	TOY006C	2
Turbo Diesel	50mm	50 - 100kg	TOY006D	2

STEERING DAMPER

Foam Cell			3524	1
-----------	--	--	------	---

U-BOLTS

U-Bolt Kit			436UBK	2
------------	--	--	--------	---

POLYURETHANE SPRING BUSHES

Bush Kit			719UK	1
----------	--	--	-------	---

GREASABLE SHACKLES AND PINS

Greasable Shackle	Left Hand Side		348LH	1
Greasable Shackle	Right Hand Side		348RH	1
Greasable Pin			351	2

REAR SUSPENSION

SHOCK ABSORBER

Nitro Gas - Comfort			12636GRC	2
Nitro Gas - Performance			12636GR	2
Nitro Gas - Professional			12636GRP	2
Foam Cell - Comfort			24636FEC	2
Foam Cell - Performance			24636FE	2
Foam Cell - Professional			24636FEP	2
Foam Cell Pro - Comfort			45636FEC	2
Foam Cell Pro - Performance			45636FE	2
Foam Cell Pro - Professional			45636FEP	2

LEAF SPRINGS

	Est. Lift	Additional Load		
Light - Drivers Side	50mm	0 - 200kg	TOY007AD/S	1
Light - Near Side	50mm	0 - 200kg	TOY007AN/S	1
Medium - Drivers Side	50mm	0 - 200kg	TOY007BD/S	1
Medium - Near Side	50mm	0 - 200kg	TOY007BN/S	1
Heavy - Drivers Side	50mm	200kg - GVM	TOY007CD/S	1
Heavy - Near Side	50mm	200kg - GVM	TOY007CN/S	1

• Side hinge barn door models may require (D/S-D/S) or (N/S-N/S) rear spring configuration to maintain level

U-BOLTS

U-Bolt Kit			415UBK	2
------------	--	--	--------	---

POLYURETHANE SPRING BUSHES

Bush Kit			719UK	1
----------	--	--	-------	---

GREASABLE SHACKLES AND PINS

Greasable Shackle	Left Hand Side		353LH	1
Greasable Shackle	Right Hand Side		353RH	1
Greasable Pin			351	2

HELPER SPRINGS

Load Plus Helper Springs			LP4	1
--------------------------	--	--	-----	---



60 Series
Pre 1986

SUSPENSION TO SUIT

Toyota Landcruiser

Product Description

Part No.

Qty
Req

Please check vehicle date range (if shown) next to product description prior to ordering

SUSPENSION KIT

Light - Nitro Gas	Petrol	TOY006AKG
Light - Nitro Gas	Diesel	TOY006AKG1
Light - Foam Cell	Petrol	TOY006AKF
Light - Foam Cell	Diesel	TOY006AKF1
Light - Foam Cell Pro	Petrol	TOY006AKP
Light - Foam Cell Pro	Diesel	TOY006AKP1
Medium - Nitro Gas	Petrol	TOY006BKG1
Medium - Nitro Gas	Diesel	TOY006CKG1
Medium - Foam Cell	Petrol	TOY006BKF1
Medium - Foam Cell	Diesel	TOY006CKF1
Medium - Foam Cell Pro	Petrol	TOY006BKP1
Medium - Foam Cell Pro	Diesel	TOY006CKP1
Heavy - Nitro Gas	Petrol	TOY007BKG1
Heavy - Nitro Gas	Diesel	TOY007CKG1
Heavy - Foam Cell	Petrol	TOY007BKF1
Heavy - Foam Cell	Diesel	TOY007CKF1
Heavy - Foam Cell Pro	Petrol	TOY007BKP1
Heavy - Foam Cell Pro	Diesel	TOY007CKP1

SUSPENSION KIT CONTENTS

Shock Absorbers

Leaf Springs

U-Bolts

Polyurethane Spring Bushes

Toyota Landcruiser

45, 47 Series
8/1980 to 1985



Product Description

Part No.

Qty
Req

Please check vehicle date range (if shown) next to product description prior to ordering

SUSPENSION TO SUIT TOYOTA LANDCRUISER 45, 47 SERIES - 8/1980-1985

FRONT SUSPENSION

SHOCK ABSORBER

Nitro Gas - Comfort			12635GRC	2
Nitro Gas - Performance			12635GR	2
Foam Cell - Comfort			24635FEC	2
Foam Cell - Performance			24635FE	2
Foam Cell Pro - Performance			45635FE	2

LEAF SPRINGS

	Est. Lift	Additional Load		
Medium	50mm	0 - 80kg	TOY004B	2
Heavy	50mm	80 - 120kg	TOY004C	2

STEERING DAMPER

Foam Cell			3523	1
-----------	--	--	------	---

U-BOLTS

U-Bolt Kit	Drivers Side		449UBK	1
U-Bolt Kit	Near Side		415UBK	1

POLYURETHANE SPRING BUSHES

Bush Kit			719UK	1
----------	--	--	-------	---

GREASABLE SHACKLES AND PINS

Greasable Shackle			348LH	1
Greasable Shackle			348RH	1
Greasable Pin			351	2

REAR SUSPENSION

SHOCK ABSORBER

Nitro Gas - Comfort			12636GRC	2
Nitro Gas - Performance			12636GR	2
Nitro Gas - Professional			12636GRP	2
Foam Cell - Comfort			24636FEC	2
Foam Cell - Performance			24636FE	2
Foam Cell - Professional			24636FEP	2
Foam Cell Pro - Comfort			45636FEC	2
Foam Cell Pro - Performance			45636FE	2
Foam Cell Pro - Professional			45636FEP	2

LEAF SPRINGS

	Est. Lift	Additional Load		
Medium	50mm	0 - 400kg	TOY005C	2

U-BOLTS

U-Bolt Kit			415UBK	2
------------	--	--	--------	---

POLYURETHANE SPRING BUSHES

Bush Kit			719UK	1
----------	--	--	-------	---

GREASABLE SHACKLES AND PINS

Greasable Shackle	Left Hand Side		353LH	1
Greasable Shackle	Right Hand Side		353RH	1
Greasable Pin			351	2

HELPER SPRINGS

Load Plus Helper Springs			LP4	1
--------------------------	--	--	-----	---

SUSPENSION KIT

Heavy - Nitro Gas	TOY005BKG
Heavy - Foam Cell	TOY005BKF
Heavy - Foam Cell Pro	TOY005BKP

SUSPENSION KIT CONTENTS

Shock Absorbers

Leaf Springs

U-Bolts

Polyurethane Spring Bushes



45 Series
1960 to 1980

Toyota Landcruiser

Product Description

Part No.

Qty
Req

Please check vehicle date range (if shown) next to product description prior to ordering

SUSPENSION TO SUIT TOYOTA LANDCRUISER 45 SERIES - 1960-1980

FRONT SUSPENSION

SHOCK ABSORBER

Nitro Gas - Comfort			12635GRC	2
Nitro Gas - Performance			12635GR	2
Foam Cell - Comfort			24635FEC	2
Foam Cell - Performance			24635FE	2
Foam Cell Pro - Performance			45635FE	2

LEAF SPRINGS

	Est. Lift	Additional Load		
Medium	50mm	0 - 100kg	TOY001B	2

STEERING DAMPER

Foam Cell			3523	1
-----------	--	--	------	---

U-BOLTS

U-Bolt Kit			415UBK	2
------------	--	--	--------	---

POLYURETHANE SPRING BUSHES

Bush Kit			713UK	1
----------	--	--	-------	---

GREASABLE SHACKLES AND PINS

Greasable Shackle		Left Hand Side	343LH	1
Greasable Shackle		Right Hand Side	343RH	1
Greasable Pin			346	2

REAR SUSPENSION

SHOCK ABSORBER

Nitro Gas - Comfort			12636GRC	2
Nitro Gas - Performance			12636GR	2
Nitro Gas - Professional			12636GRP	2
Foam Cell - Comfort			24636FEC	2
Foam Cell - Performance			24636FE	2
Foam Cell - Professional			24636FEP	2
Foam Cell Pro - Comfort			45636FEC	2
Foam Cell Pro - Performance			45636FE	2
Foam Cell Pro - Professional			45636FEP	2

LEAF SPRINGS

	Est. Lift	Additional Load		
Heavy	50mm	0 - 400kg	TOY003C	2

U-BOLTS

U-Bolt Kit			415UBK	2
------------	--	--	--------	---

POLYURETHANE SPRING BUSHES

Bush Kit			714UK	1
----------	--	--	-------	---

GREASABLE SHACKLES AND PINS

Greasable Shackle		Left Hand Side	344	1
Greasable Shackle		Right Hand Side	345	1
Greasable Pin			347	2

HELPER SPRINGS

Load Plus Helper Springs			LP4	1
--------------------------	--	--	-----	---

SUSPENSION KIT

Heavy - Nitro Gas	TOY003BKG
Heavy - Foam Cell	TOY003BKF
Heavy - Foam Cell Pro	TOY003BKP

SUSPENSION KIT CONTENTS

Shock Absorbers

Leaf Springs

U-Bolts

Polyurethane Spring Bushes

Toyota Landcruiser

40, 42, 46 Series
1980 to 1984



Product Description

Part No.

Qty
Req

Please check vehicle date range (if shown) next to product description prior to ordering

SUSPENSION TO SUIT TOYOTA LANDCRUISER 40, 42, 46 SERIES - 1980-1984

FRONT SUSPENSION

SHOCK ABSORBER

Nitro Gas - Comfort			12635GRC	2
Nitro Gas - Performance			12635GR	2
Foam Cell - Comfort			24635FEC	2
Foam Cell - Performance			24635FE	2
Foam Cell Pro - Performance			45635FE	2

LEAF SPRINGS

	Est. Lift	Additional Load		
Medium	50mm	0 - 80kg	TOY004B	2
Heavy	50mm	80 - 120kg	TOY004C	2

STEERING DAMPER

Foam Cell			3523	1
-----------	--	--	------	---

U-BOLTS

U-Bolt Kit			415UBK	2
------------	--	--	--------	---

POLYURETHANE SPRING BUSHES

Bush Kit			719UK	1
----------	--	--	-------	---

GREASABLE SHACKLES AND PINS

Greasable Shackle	Left Hand Side		348LH	1
Greasable Shackle	Right Hand Side		348RH	1
Greasable Pin			351	2

REAR SUSPENSION

SHOCK ABSORBER

Nitro Gas - Comfort			12636GRC	2
Nitro Gas - Performance			12636GR	2
Nitro Gas - Professional			12636GRP	2
Foam Cell - Comfort			24636FEC	2
Foam Cell - Performance			24636FE	2
Foam Cell - Professional			24636FEP	2
Foam Cell Pro - Comfort			45636FEC	2
Foam Cell Pro - Performance			45636FE	2
Foam Cell Pro - Professional			45636FEP	2

LEAF SPRINGS

	Est. Lift	Additional Load		
Heavy	50mm	0 - 200kg	TOY034B	2

U-BOLTS

U-Bolt Kit			415UBK	2
------------	--	--	--------	---

POLYURETHANE SPRING BUSHES

Bush Kit			719UK	1
----------	--	--	-------	---

GREASABLE SHACKLES AND PINS

Greasable Shackle	Left Hand Side		348RH	1
Greasable Shackle	Right Hand Side		348LH	1
Greasable Pin			351	2

HELPER SPRINGS

Load Plus Helper Springs			LP4	1
--------------------------	--	--	-----	---

SUSPENSION KIT - Specify Front Leaf Springs When Ordering

Medium - Nitro Gas	TOY004BKG
Medium - Foam Cell	TOY004BKF
Medium - Foam Cell Pro	TOY004BKP

SUSPENSION KIT CONTENTS

Shock Absorbers

Leaf Springs

U-Bolts

Polyurethane Spring Bushes



40 Series
1960 to 1980

SUSPENSION TO SUIT

Toyota Landcruiser

Product Description

Part No.

Qty
Req

Please check vehicle date range (if shown) next to product description prior to ordering

SUSPENSION TO SUIT TOYOTA LANDCRUISER 40 SERIES - 1960-1980

FRONT SUSPENSION

SHOCK ABSORBER

Nitro Gas - Comfort			12635GRC	2
Nitro Gas - Performance			12635GR	2
Foam Cell - Comfort			24635FEC	2
Foam Cell - Performance			24635FE	2
Foam Cell Pro - Performance			45635FE	2

LEAF SPRINGS

	Est. Lift	Additional Load		
Medium	50mm	0 - 100kg	TOY001B	2

STEERING DAMPER

Foam Cell			3523	1
-----------	--	--	------	---

U-BOLTS

U-Bolt Kit			415UBK	2
------------	--	--	--------	---

POLYURETHANE SPRING BUSHES

Bush Kit			713UK	1
----------	--	--	-------	---

GREASABLE SHACKLES AND PINS

Greasable Shackle		Left Hand Side	343LH	1
Greasable Shackle		Right Hand Side	343RH	1
Greasable Pin			346	2

REAR SUSPENSION

SHOCK ABSORBER

Nitro Gas - Comfort			12636GRC	2
Nitro Gas - Performance			12636GR	2
Nitro Gas - Professional			12636GRP	2
Foam Cell - Comfort			24636FEC	2
Foam Cell - Performance			24636FE	2
Foam Cell - Professional			24636FEP	2
Foam Cell Pro - Comfort			45636FEC	2
Foam Cell Pro - Performance			45636FE	2
Foam Cell Pro - Professional			45636FEP	2

LEAF SPRINGS

	Est. Lift	Additional Load		
Medium	50mm	0 - 200kg	TOY002B	2

U-BOLTS

U-Bolt Kit			415UBK	2
------------	--	--	--------	---

POLYURETHANE SPRING BUSHES

Bush Kit			713UK	1
----------	--	--	-------	---

GREASABLE SHACKLES AND PINS

Greasable Shackle		Left Hand Side	343RH	1
Greasable Shackle		Right Hand Side	343LH	1
Greasable Pin			346	2

HELPER SPRINGS

Load Plus Helper Springs			LP4	1
--------------------------	--	--	-----	---

SUSPENSION KIT

Medium - Nitro Gas	TOY001BKG
Medium - Foam Cell	TOY001BKF
Medium - Foam Cell Pro	TOY001BKP

SUSPENSION KIT CONTENTS

Shock Absorbers	Leaf Springs	U-Bolts	Polyurethane Spring Bushes
-----------------	--------------	---------	----------------------------





TOYOTA
PRADO
250 SERIES

ACCESSORIES AND SUSPENSION TO SUIT
CURRENTLY IN DEVELOPMENT

Toyota Prado

150 Series (Facelift)
11/2017+



Product Description

Part No.

Qty
Req

Please check vehicle date range (if shown) next to product description prior to ordering

ACCESSORIES TO SUIT TOYOTA PRADO 150 - 11/2017+

STEEL WINCH BULL BARS

Premium Bull Bar - 60.3mm Tube	BBP064	
Apex Bar - 60.3mm Tube	BBP064C	
Apex Bull Bar Kit* - 60.3mm Tube	BBP064CK	
Raid Bull Bar - Includes Integrated Recovery Points	BBR064	
Proguard No Loop Bull Bar	BBT064-NL	
Proguard Single Loop Kit	BB064-SL	
Proguard Triple Loop Kit	BB064-TL	
Bull Bar Multi-Function Light Patch Loom	IBBPLO64	
Driving Light / Lightbar Patch Loom	IPLS064	
120W Bright Sabre Single Row Lightbar 812mm (32") Straight to suit Raid Bull Bar	ILBSR002BW	1

* Apex and Raid Bull Bars are compatible with IRONMAN 4X4 Lightbars and 20W or 40W Cube Lights, refer page 29-33 for available options

* Round fog lights replaced with provision for Cube Lights (sold separately)

* Winch with Steel Cable and Roller Fairlead is not suitable - Use Winch with Synthetic Rope and Alloy Hawse only

STEEL SIDE STEPS AND RAILS - NOT COMPATIBLE WITH KDSS MODELS

Premium Side Steps - 60.3mm Tube - Dimple Step Design	SSP064-D
Premium Side Rails - 60.3mm Tube	SSP064 RAIL
Premium Side Steps and Rails - 60.3mm Tube	SSRP064-D

RECOVERY POINTS - IRONMAN 4X4 BULL BAR ONLY

Recovery Points - 5000kg Rating (Pair)	IRP064
--	--------

BATTERY TRAY

Suits 12" Battery	IBTRAY064
-------------------	-----------

SNORKEL

Engine 2.8 1GD-FTV Diesel	ISNORKEL064
---------------------------	-------------

PREMIUM UNDERBODY PROTECTION

Engine Bay and Transmission for models without KDSS	UBP047
---	--------

ATLAS ROOF RACK KITS

Platform E with Blade Fit Kit - 2130mm Length	IFR047PEK
Crossbar (x 3) and Fit Kit - 1375mm Width	IFR047C3K

* See Page 38-41 for more Atlas rack, crossbar and accessory options.

STEEL ROOF RACKS

Rooftop Tent Compatible - 1.8m x 1.25m	IRRTENT18
--	-----------

ALLOY ROOF RACKS

Cage Style - 1.8m x 1.25m	IRRCAGE18-ALLOY
Trade Style - 1.8m x 1.25m (Open end)	IRRTRADE18-ALLOY
Flat Rack - 1.8m x 1.25m	IRRTFLAT18-ALLOY

STEEL AND ALLOY ROOF RACK - MOUNT KITS

Toyota Prado 150 Mount Feet (2 Feet)	IRRFEETPRADO150
--------------------------------------	-----------------

BREATHER KIT

Universal Twin Manifold Filtered Breather Kit	IDIFFBRE
---	----------

BULL BAR KIT* CONTENTS

Apex Bull Bar Bull Bar Patch Loom Cube Lights (2) Turn / Park Cube Lights (2)



150 Series (Coil) / GX460
12/2017+

SUSPENSION TO SUIT

Toyota Prado / Lexus

Product Description

Part No.

Qty
Req

Please check vehicle date range (if shown) next to product description prior to ordering

SUSPENSION TO SUIT TOYOTA PRADO 150 / LEXUS GX460 - 12/2017+

FRONT SUSPENSION

SHOCK ABSORBER

Nitro Gas Strut - Performance			12710GR	2
Foam Cell Strut - Performance			24710FE	2
Foam Cell Pro Strut - Performance			45710FE	2

• Foam Cell Pro, must fit 1198K or 1209K spacer for Sway Bar clearance

COIL SPRINGS

	Est. Lift	Additional Load		
Light	45mm	0 - 50kg	TOY065A	1
Medium	45mm	0 - 50kg	TOY065B	1
Heavy	45mm	50 - 110kg	TOY065C	1

STRUT MOUNTS

Steel Strut Top			ISST001	2
-----------------	--	--	----------------	---

TRIM PACKERS

5mm Strut Trim Packer	Nitro Gas / Foam Cell		HILFR05/HILFR05F	2
10mm Strut Trim Packer	Nitro Gas / Foam Cell		HILFR10/HILFR10F	2
15mm Strut Trim Packer	Nitro Gas / Foam Cell		HILFR15/HILFR15F	2

• ONLY Compatible with IRONMAN 4X4 Struts (except Pro), lift height subject to 2:1 motion ratio. Unnecessary fitment may lift vehicle too high

CONTROL ARMS

Pro-Forge Upper Control Arms			UCA002FA-B	1
------------------------------	--	--	-------------------	---

SPACER KIT

Sway Bar Spacer			1198K	1
Offset Sway Bar Bracket			1209K	1

REAR SUSPENSION

SHOCK ABSORBER

Nitro Gas - Performance			12682GRC	2
Nitro Gas - Professional			12682GRP	2
Foam Cell - Performance			24682FEC	2
Foam Cell - Professional			24682FEP	2
Foam Cell Pro - Performance			45682FEC	2
Foam Cell Pro - Professional			45682FEP	2

COIL SPRINGS

	Est. Lift	Additional Load		
Medium	45mm	0 - 300kg	TOY056B	1
Medium - with Accessories	50mm	200 - 400kg	TOY069B	1
Heavy	45mm	300kg - GVM	TOY056C	1

PANHARD ROD

Adjustable Panhard Rod for models without KDSS			PANHARD015	1
Adjustable Panhard Rod for models with KDSS			PANHARD015-KDSS	1

COIL SPACER

Polyurethane 20mm			LCPR20	2
Polyurethane 25mm			LCPR25	2

SWAY BAR LINK

Extended Sway Bar Link for models without KDSS			SBEXT006	2
Rear Sway Bar Spacer for models with KDSS			1220K	1

BUMP STOP

Internal Rubber Cone			1218R	2
Airbag Delete Kit for models with Airbags			1218ADK	1

SUSPENSION KIT - Specify Front Coil Springs When Ordering

Medium - Nitro Gas	TOY065BKG2
Medium - Foam Cell	TOY065BKF2
Medium - Foam Cell Pro	TOY065BKP2
Heavy - Nitro Gas	TOY065CKG2
Heavy - Foam Cell	TOY065CKF2
Heavy - Foam Cell Pro	TOY065CKP2

• All kits compatible with KDSS, refer KDSS instructions available at www.ironman4x4.com

SUSPENSION KIT CONTENTS

Shock Absorbers	Coil Springs	Strut Shock Absorbers	Offset Sway Bar Bracket (Pro Kits Only)
-----------------	--------------	-----------------------	---

THIS OR THAT



PREMIUM BULL BAR
TRIPLE LOOP FULL FEATURE BAR



RAID BULL BAR
NO LOOP INTEGRATED BAR



150 Series
11/2009 to 10/2013
11/2013 to 10/2017

ACCESSORIES TO SUIT

Toyota Prado

Product Description

Part No.

Qty
Req

Please check vehicle date range (if shown) next to product description prior to ordering

ACCESSORIES TO SUIT TOYOTA PRADO 150 - 11/2009-10/2017

STEEL WINCH BULL BARS

Commercial Bull Bar* - (11/2013 to 10/2017) - <i>While Stocks Last</i>	BBC047
Deluxe Bull Bar* - (11/2009 to 10/2013)	BBCD029
Deluxe Bull Bar* - (11/2013 to 10/2017)	BBCD047
Bull Bar Multi-Function Light Patch Loom	IBBPLO47
Driving Light / Lightbar Patch Loom	IPLS047

* Not compatible with sensors or headlight washers.

STEEL SIDE STEPS AND RAILS - NOT COMPATIBLE WITH KDSS MODELS

Side Steps - Dimple Step Design	SS047-D
Side Rails	SS047 RAIL
Side Steps and Rails - Dimple Step Design	SSR047-D

RECOVERY POINTS - IRONMAN 4X4 BULL BAR ONLY

Recovery Points - 5000kg Rating (Pair)	IRP064
--	--------

BATTERY TRAY

Suits 12" Battery	IBTRAY064
-------------------	-----------

SNORKEL

3L D4D TDi / 2.8L D4D TDi / 4L Petrol V6	ISNORKEL035
--	-------------

PREMIUM UNDERBODY PROTECTION

Engine Bay and Transmission for models without KDSS	UBP047
---	--------

ATLAS ROOF RACK KITS

Platform E with Blade Fit Kit - 2130mm Length	IFR047PEK
Crossbar (x 3) and Fit Kit - 1375mm Width	IFR047C3K

• See Page 38-41 for more Atlas rack, crossbar and accessory options.

STEEL ROOF RACKS

Rooftop Tent Compatible - 1.8m x 1.25m	IRRTENT18
--	-----------

ALLOY ROOF RACKS

Cage Style - 1.8m x 1.25m	IRRCAGE18-ALLOY
Trade Style - 1.8m x 1.25m (Open end)	IRRTRADE18-ALLOY
Flat Rack - 1.8m x 1.25m	IRRTFLAT18-ALLOY

STEEL AND ALLOY ROOF RACK - MOUNT KITS

Toyota Prado 150 Mount Feet (2 Feet)	IRRFEETPRADO150
--------------------------------------	-----------------

BREATHER KIT

Universal Twin Manifold Filtered Breather Kit	IDIFFBRE
---	----------



Toyota Prado / Lexus

150 Series (Coil) / GX460
2009 to 11/2017

Product Description

Part No.

Qty
Req

Please check vehicle date range (if shown) next to product description prior to ordering

SUSPENSION TO SUIT TOYOTA PRADO 150 - 2009-11/2017

FRONT SUSPENSION

SHOCK ABSORBER

Nitro Gas Strut - Performance			12750GR	2
Foam Cell Strut - Performance			24750FE	2
Foam Cell Pro Strut - Performance			45750FE	2

• Foam Cell Pro, must fit 1198K or 1209K spacer for Sway Bar clearance

COIL SPRINGS

	Est. Lift	Additional Load		
Light	45mm	0 - 50kg	TOY065A	1
Medium - Petrol	45mm	0 - 50kg	TOY065B	1
Heavy - Diesel	45mm	50 - 110kg	TOY065C	1

STRUT MOUNTS

Steel Strut Top			ISST001	2
-----------------	--	--	----------------	---

TRIM PACKERS

5mm Strut Trim Packer	Nitro Gas / Foam Cell	HILFR05/HILFR05F	2
10mm Strut Trim Packer	Nitro Gas / Foam Cell	HILFR10/HILFR10F	2
15mm Strut Trim Packer	Nitro Gas / Foam Cell	HILFR15/HILFR15F	2

• ONLY Compatible with IRONMAN 4X4 Struts (except Pro), lift height subject to 2:1 motion ratio. Unnecessary fitment may lift vehicle too high

CONTROL ARMS

Pro-Forge Upper Control Arms			UCA002FA-B	1
------------------------------	--	--	-------------------	---

SPACER KIT

Sway Bar Spacer			1198K	1
Offset Sway Bar Bracket			1209K	1

REAR SUSPENSION

SHOCK ABSORBER

Nitro Gas - Performance			12682GRC	2
Nitro Gas - Professional			12682GRP	2
Foam Cell - Performance			24682FEC	2
Foam Cell - Professional			24682FEP	2
Foam Cell Pro - Performance			45682FEC	2
Foam Cell Pro - Professional			45682FEP	2

COIL SPRINGS

	Est. Lift	Additional Load		
Medium - SWB	45mm	0 - 300kg	TOY056A	1
Medium - LWB	45mm	0 - 300kg	TOY056B	1
Medium - LWB with Accessories	50mm	200 - 400kg	TOY069B	1
Heavy	45mm	300kg - GVM	TOY056C	1

PANHARD ROD

Adjustable Panhard Rod for models without KDSS			PANHARD015	1
Adjustable Panhard Rod for models with KDSS			PANHARD015-KDSS	1

COIL SPACER

Polyurethane 20mm			LCPR20	2
Polyurethane 25mm			LCPR25	2

SWAY BAR LINK

Extended Sway Bar Link for models without KDSS			SBEXT006	2
Rear Sway Bar Spacer for models with KDSS			1220K	1

BUMP STOP

Internal Rubber Cone			1218R	2
Airbag Delete Kit for models with Airbags			1218ADK	1



150 Series (Coil) / GX460
2009 to 11/2017

SUSPENSION TO SUIT

Toyota Prado / Lexus

Product Description

Part No.

Qty
Req

Please check vehicle date range (if shown) next to product description prior to ordering

SUSPENSION KIT - Specify Front Coil Springs When Ordering

Medium - Nitro Gas	SWB	Petrol	TOY065AKG
Medium - Nitro Gas	SWB	Diesel	TOY065AKG1
Medium - Nitro Gas	LWB	Petrol	TOY065BKG
Medium - Nitro Gas	LWB	Diesel	TOY065BKG1
Medium - Foam Cell	SWB	Petrol	TOY065AKF
Medium - Foam Cell	SWB	Diesel	TOY065AKF1
Medium - Foam Cell	LWB	Petrol	TOY065BKF
Medium - Foam Cell	LWB	Diesel	TOY065BKF1
Medium - Foam Cell Pro	SWB	Petrol	TOY065AKP
Medium - Foam Cell Pro	SWB	Diesel	TOY065AKP1
Medium - Foam Cell Pro	LWB	Petrol	TOY065BKP
Medium - Foam Cell Pro	LWB	Diesel	TOY065BKP1
Heavy - Nitro Gas	LWB	Petrol	TOY065CKG
Heavy - Nitro Gas	LWB	Diesel	TOY065CKG1
Heavy - Foam Cell	LWB	Petrol	TOY065CKF
Heavy - Foam Cell	LWB	Diesel	TOY065CKF1
Heavy - Foam Cell Pro	LWB	Petrol	TOY065CKP
Heavy - Foam Cell Pro	LWB	Diesel	TOY065CKP1

• All kits compatible with KDSS, refer KDSS instructions available at www.ironman4x4.com

SUSPENSION KIT CONTENTS

Shock Absorbers

Strut Shock Absorbers

Coil Springs

Offset Sway Bar Bracket (Pro Kits Only)

Toyota Prado

120 Series
4/2003 to 10/2009



Product Description

Part No.

Qty
Req

Please check vehicle date range (if shown) next to product description prior to ordering

ACCESSORIES TO SUIT TOYOTA PRADO 120 - 4/2003-10/2009

STEEL WINCH BULL BARS

Deluxe Bull Bar BBCD008

STEEL SIDE STEPS AND RAILS

Side Steps SS017

Side Steps and Rails - Dimple Step Design SSR004-D

SNORKEL

3L D4D TDi / 4L Petrol V6 ISNORKEL006

STEEL ROOF RACKS

Rooftop Tent Compatible - 1.8m x 1.25m IRRTENT18

ALLOY ROOF RACKS

Cage Style - 1.8m x 1.25m IRRCAGE18-ALLOY

Trade Style - 1.8m x 1.25m (Open end) IRRTRADE18-ALLOY

Flat Rack - 1.8m x 1.25m IRRTFLAT18-ALLOY

STEEL AND ALLOY ROOF RACK - MOUNT KITS

Gutter Mount Feet - 200mm (8 Feet) IRRFEETLC200

BREATHER KIT

Universal Twin Manifold Filtered Breather Kit IDIFFBRE

SUSPENSION TO SUIT TOYOTA PRADO 120 / LEXUS GX470 - 4/2003-10/2009

FRONT SUSPENSION

SHOCK ABSORBER

Nitro Gas Strut - Performance 12710GR 2

Foam Cell Strut - Performance 24710FE 2

Foam Cell Pro Strut - Performance 45710FE 2

• Foam Cell Pro, must fit 1198K spacer for Sway Bar clearance

COIL SPRINGS

	Est. Lift	Additional Load		
Light	30mm	0 - 50kg	TOY055A	1
Medium - Petrol	45mm	0 - 50kg	TOY055B	1
Heavy - Diesel	45mm	50 - 110kg	TOY055C	1

STRUT MOUNTS

Steel Strut Top ISST001 2

TRIM PACKERS

5mm Strut Trim Packer	Nitro Gas / Foam Cell	HILFR05/HILFR05F		2
10mm Strut Trim Packer	Nitro Gas / Foam Cell	HILFR10/HILFR10F		2
15mm Strut Trim Packer	Nitro Gas / Foam Cell	HILFR15/HILFR15F		2

• ONLY Compatible with IRONMAN 4X4 Struts (except Pro), lift height subject to 2:1 motion ratio. Unnecessary fitment may lift vehicle too high

CONTROL ARMS

Pro-Forge Upper Control Arms UCA002FA-B 1

SPACER KIT

Sway Bar Spacer 1198K 1



120 Series / GX470
4/2003 to 10/2009

SUSPENSION TO SUIT

Toyota Prado / Lexus

Product Description

Part No.

Qty Req

Please check vehicle date range (if shown) next to product description prior to ordering

REAR SUSPENSION

SHOCK ABSORBER

Nitro Gas - Performance			12682GRC	2
Nitro Gas - Professional			12682GRP	2
Foam Cell - Performance			24682FEC	2
Foam Cell - Professional			24682FEP	2
Foam Cell Pro - Performance			45682FEC	2
Foam Cell Pro - Professional			45682FEP	2

COIL SPRINGS

	Est. Lift	Additional Load		
Medium - SWB	45mm	0 - 300kg	TOY056A	1
Medium - LWB	45mm	0 - 300kg	TOY056B	1
Medium - with accessories LWB	50mm	200 - 400kg	TOY069B	1
Heavy	45mm	300kg - GVM	TOY056C	1

PANHARD ROD

Adjustable Panhard Rod for models without KDSS			PANHARD015	1
Adjustable Panhard Rod for models with KDSS			PANHARD015-KDSS	1

SWAY BAR LINK

Extended Sway Bar Link for models without KDSS			SBEXT006	2
Rear Sway Bar Spacer for models with KDSS			1220K	1

BUMP STOP

Internal Rubber Cone			1218R	2
Airbag Delete Kit for models with Airbags			1218ADK	1

SUSPENSION KIT - Specify Front Coil Springs When Ordering

Medium - Nitro Gas	SWB	Petrol	TOY055AKG
Medium - Nitro Gas	SWB	Diesel	TOY055AKG1
Medium - Nitro Gas	LWB	Petrol	TOY055BKG
Medium - Nitro Gas	LWB	Diesel	TOY055BKG1
Medium - Foam Cell	SWB	Petrol	TOY055AKF
Medium - Foam Cell	SWB	Diesel	TOY055AKF1
Medium - Foam Cell	LWB	Petrol	TOY055BKF
Medium - Foam Cell	LWB	Diesel	TOY055BKF1
Medium - Foam Cell Pro	SWB	Petrol	TOY055AKP
Medium - Foam Cell Pro	SWB	Diesel	TOY055AKP1
Medium - Foam Cell Pro	LWB	Petrol	TOY055BKP
Medium - Foam Cell Pro	LWB	Diesel	TOY055BKP1
Heavy - Nitro Gas	LWB	Petrol	TOY055CKG
Heavy - Nitro Gas	LWB	Diesel	TOY055CKG1
Heavy - Foam Cell	LWB	Petrol	TOY055CKF
Heavy - Foam Cell	LWB	Diesel	TOY055CKF1
Heavy - Foam Cell Pro	LWB	Petrol	TOY055CKP
Heavy - Foam Cell Pro	LWB	Diesel	TOY055CKP1

SUSPENSION KIT CONTENTS

Shock Absorbers

Strut Shock Absorbers

Coil Springs

Sway Bar Spacer (Pro Kits Only)

Toyota Prado

90, 95 Series
1996 to 10/2002



Product Description

Part No.

Qty
Req

Please check vehicle date range (if shown) next to product description prior to ordering

ACCESSORIES TO SUIT TOYOTA PRADO 90, 95 - 1996-10/2002

STEEL WINCH BULL BARS

Deluxe Bull Bar	BBCD007
-----------------	---------

SNORKEL

3.4L Petrol V6	ISNORKEL005
----------------	-------------

BREATHER KIT

Universal Twin Manifold Filtered Breather Kit	IDIFFBRE
---	----------

SUSPENSION TO SUIT TOYOTA PRADO 90, 95 - 1996-10/2002

FRONT SUSPENSION

SHOCK ABSORBER

Nitro Gas Strut - Performance	12691GR	2
Foam Cell Strut - Performance	24691FE	2
Foam Cell Pro Strut - Performance	45691FE	2

COIL SPRINGS

	Est. Lift	Additional Load		
Medium - Petrol	45mm	0 - 50kg	TOY038B	1
Heavy - Diesel	45mm	50 - 110kg	TOY038C	1

TRIM PACKERS

5mm Strut Trim Packer	Nitro Gas / Foam Cell	HILFR05/HILFR05F	2
10mm Strut Trim Packer	Nitro Gas / Foam Cell	HILFR10/HILFR10F	2
15mm Strut Trim Packer	Nitro Gas / Foam Cell	HILFR15/HILFR15F	2

• ONLY Compatible with IRONMAN 4X4 Struts (except Pro), lift height subject to 2:1 motion ratio. Unnecessary fitment may lift vehicle too high

REAR SUSPENSION

SHOCK ABSORBER

Nitro Gas - Performance	12661GR	2
Foam Cell - Performance	24661FE	2
Foam Cell Pro - Performance	45661FE	2

COIL SPRINGS

	Est. Lift	Additional Load		
Medium - SWB	45mm	0 - 300kg	TOY039A	1
Medium - LWB	45mm	0 - 300kg	TOY039B	1
Heavy	45mm	300kg - GVM	TOY039C	1

COIL SPACER

Polyurethane 20mm	LCF20	2
Polyurethane 30mm	LCF30	2

SUSPENSION KIT - Specify Front Coil Springs When Ordering

Medium - Nitro Gas	SWB	Petrol	TOY038AKG
Medium - Nitro Gas	SWB	Diesel	TOY038AKG1
Medium - Nitro Gas	LWB	Petrol	TOY038BKG
Medium - Nitro Gas	LWB	Diesel	TOY038CKG
Medium - Foam Cell	SWB	Petrol	TOY038AKF
Medium - Foam Cell	SWB	Diesel	TOY038AKF1
Medium - Foam Cell	LWB	Petrol	TOY038BKF
Medium - Foam Cell	LWB	Diesel	TOY038CKF
Medium - Foam Cell Pro	SWB	Petrol	TOY038AKP
Medium - Foam Cell Pro	SWB	Diesel	TOY038AKP1
Medium - Foam Cell Pro	LWB	Petrol	TOY038BKP
Medium - Foam Cell Pro	LWB	Diesel	TOY038CKP
Heavy - Nitro Gas	LWB	Petrol	TOY038BKG1
Heavy - Nitro Gas	LWB	Diesel	TOY038CKG1
Heavy - Foam Cell	LWB	Petrol	TOY038BKF1
Heavy - Foam Cell	LWB	Diesel	TOY038CKF1
Heavy - Foam Cell Pro	LWB	Petrol	TOY038BKP1
Heavy - Foam Cell Pro	LWB	Diesel	TOY038CKP1

SUSPENSION KIT CONTENTS

Shock Absorbers

Strut Shock Absorbers

Coil Springs



2019+

Toyota Rav4

Product Description

Part No.

Qty
Req

Please check vehicle date range (if shown) next to product description prior to ordering

ACCESSORIES TO SUIT TOYOTA RAV4 - 2019+

STEEL TUBE PROTECTION BAR

Tubular Bumper Guard **ITBR091**

TOWING

Class 4 Towbar - Compatible with Factory Rear Bumper **RTB091**

Towbar Wiring Loom - Plug and Play **ITBL091**

PREMIUM UNDERBODY PROTECTION

Engine Bay and Transmission **UBP091**

ATLAS DUAL CAB ROOF RACK KITS

Crossbar (x 2) and Fit Kit - 1250mm Width **IFRK091**

• See Page 38-41 for more Atlas rack, crossbar and accessory options.

FLOOR MATS

Moulded Fit TPO Floor Mats - Front and Rear Set **FLMT091-RHD-2ROW**

SEAT COVER

Airbag Compatible Fabric Seat Covers - Front **SC091-CC-1R-A**

Airbag Compatible Fabric Seat Covers - Rear **SC091-CC-2R-A**

SUN SHADE

Vehicle Specific Sun Screen Shade - Front **SUNSHD091**

BREATHER KIT

Universal Twin Manifold Filtered Breather Kit **IDIFFBRE**

SUSPENSION TO SUIT TOYOTA RAV4 - 2019+

FRONT SUSPENSION

SHOCK ABSORBER

	Est. Lift	Additional Load		
Nitro Gas Strut Assembly Left	50mm	0 - 50kg	12840080GR LH	1
Nitro Gas Strut Assembly Right	50mm	0 - 50kg	12840080GR RH	1

• Strut Assembly includes pre-assembled Coil Springs, Shock Absorber and Strut Top Cap

COIL SPRINGS

	Est. Lift	Additional Load		
Light	50mm	0-50kg	TOY080A	1

STRUT MOUNTS

Steel Strut Top **ISST091** 2

CAMBER CORRECTION

Camber Bolt Kit **ICAMBER17** 1

REAR SUSPENSION

SHOCK ABSORBER

Nitro Gas - Performance **12842GR** 2

Nitro Gas - Professional **12842GRP** 2

COIL SPRINGS

	Est. Lift	Additional Load		
Light	50mm	0-200kg	TOY082A	1
Medium	50mm	0-200kg	TOY082B	1
Constant	50mm	150 - 300kg	TOY082C	1
Constant	50mm	300kg - GVM	TOY082D	1

SUSPENSION KIT

Light - Nitro Gas **TOY080AKG**

Medium - Nitro Gas **TOY080BKG**

Constant - Nitro Gas **TOY080CKG**

Constant - Nitro Gas **TOY080DKG**

SUSPENSION KIT CONTENTS

Left / Right Front Strut Assemblies

Rear Coil Springs

Rear Shock Absorbers



Urban Assault

{IRONMAN}
4X4



2022+

Toyota Sequoia

Product Description

Part No.

Qty
Req

Please check vehicle date range (if shown) next to product description prior to ordering

ACCESSORIES TO SUIT TOYOTA SEQUOIA - 2022+

STEEL WINCH BULL BARS

Apex Bull Bar - 60.3mm Tube

BBP105C

- Apex Bull Bars are compatible with IRONMAN 4X4 Lightbars and 20W or 40W Cube Lights, refer page 29-33 for available options
- Winch with Steel Cable and Roller Fairlead is not suitable - Use Winch with Synthetic Rope and Alloy Hawse only

BREATHER KIT

Universal Twin Manifold Filtered Breather Kit

IDIFFBRE

SUSPENSION TO SUIT TOYOTA SEQUOIA - 2022+

FRONT SUSPENSION

SHOCK ABSORBER

Foam Cell Pro Strut - Performance

45002FE

2

COIL SPRINGS - TO SUIT FOAM CELL PRO

Est. Lift

Additional Load

Light

50mm

0 - 50kg

TOY088A

1

Medium

50mm

0 - 50kg

TOY088B

1

Heavy

50mm

50 - 110kg

TOY088C

1

STRUT MOUNTS

Steel Strut Top

ISST004

2

REAR SUSPENSION

SHOCK ABSORBER

Foam Cell Pro - Comfort

45003FEC

2

Foam Cell Pro - Performance

45003FE

2

COIL SPRINGS

Est. Lift

Additional Load

Light

25mm

0 - 200kg

TOY087A

1

Medium

50mm

0 - 200kg

TOY087B

1

Medium

50mm

100 - 200kg

TOY084B

1

Medium (with Accessories)

50mm

200 - 400kg

TOY084B1

1

Toyota Tacoma / Sport

4th Gen
2024+



Product Description

Part No.

Qty
Req

Please check vehicle date range (if shown) next to product description prior to ordering

ACCESSORIES TO SUIT TOYOTA TACOMA / SPORT - 2024+

STEEL WINCH BULL BARS

Apex Bull Bar - 60.3mm Tube

BBP119C

Raid Bull Bar - Includes Integrated Recovery Points

BBR119

Raid Bull Bar Insert - Includes Integrated Recovery Points

BBR119I

105W Bright Sabre-X Single Row Slim Lightbar 522mm (20") Straight to suit Raid Bull Bar

ILBSR003B

1

• Apex and Raid Bull Bars are compatible with IRONMAN 4X4 Lightbars and 20W or 40W Cube Lights, refer page 29-33 for available options

STEEL SIDE STEPS

Side Steps

SS119-D

Premium Side Steps and Rails - 60.3mm Tube - Dimple Step Design

SSRP119-D

TOWING

Rear Protection Towbar

RTB119

• Raid Rear Bars are compatible with IRONMAN 4X4 12W or 20W Cube Lights, refer page 32 for available options

BREATHER KIT

Universal Twin Manifold Filtered Breather Kit

IDIFFBRE



4th Gen (Rear Coil)
2024+

Toyota Tacoma

Product Description

Part No.

Qty
Req

Please check vehicle date range (if shown) next to product description prior to ordering

SUSPENSION TO SUIT TOYOTA TACOMA - 2024+

FRONT SUSPENSION

SHOCK ABSORBER

Nitro Gas Strut - Performance			12018GR	2
Foam Cell Pro Strut - Performance			45018FE	2

COIL SPRINGS

	Est. Lift	Additional Load		
Light*	75mm	0 - 50kg	TOY093A	1
Heavy*	75mm	50 - 110kg	TOY093C	1

* Black coil springs are available. Add the suffix -B to the end of the part numbers listed when placing order

STRUT MOUNTS

Steel Strut Top			ISST119	2
-----------------	--	--	----------------	---

TRIM PACKERS

5mm Strut Trim Packer	Nitro Gas / Foam Cell		HILFR05/HILFR05F	2
-----------------------	-----------------------	--	-------------------------	---

• ONLY Compatible with IRONMAN 4X4 Struts (except Pro), lift height subject to 2:1 motion ratio. Unnecessary fitment may lift vehicle too high

CONTROL ARMS

Pro-Forge Upper Control Arms			UCA119FA-B	1
Pro-Forge Upper Control Arms			UCA119S	1

REAR SUSPENSION

SHOCK ABSORBER

Nitro Gas - Comfort			12019GRC	2
Foam Cell Pro - Performance			45019FE	2

COIL SPRINGS

	Est. Lift	Additional Load		
Light	50mm	0 - 200kg	TOY0093A	1
Heavy	50mm	200kg+	TOY0093C	1

LIFT AND LEVEL KIT

Spacer Kit - OEM Shock Absorber*	3"Lift - Front	1"Lift - Rear	76-119-001	1
----------------------------------	----------------	---------------	-------------------	---

• Not for use on aftermarket shock absorbers.

LIFT AND LEVEL KIT CONTENTS

OEM Shock Absorbers	Strut Extension	Steel Coil Spacer Rear
	Pre-load Coil Spacer Front	



Product Description

Part No.

Qty
Req

Please check vehicle date range (if shown) next to product description prior to ordering

ACCESSORIES TO SUIT TOYOTA TACOMA - 2005 TO 2023

STEEL WINCH BULL BARS

Raid Bull Bar	BBR072
300W Bright Sabre Dual Row Lightbar 815mm (32") Straight to suit Raid Bull Bar	ILBDR002B
300W Bright Sabre Multi-Function Dual Row Lightbar 815mm (32") Straight to suit Raid Bull Bar	ILBDR002BM
• Raid Bull Bars are compatible with IRONMAN 4X4 Lightbars and 10W, 20W or 40W Cube Lights, refer page 29-33 for available options	

STEEL SIDE STEPS

Raid Rock Slider 1960mm	SS072
Raid Rock Slider 2390mm	SS072L
• Long bed and dual cab models only	

TOWING

Raid Rear Bumper	RTB072
• Raid Rear Bars are compatible with IRONMAN 4X4 20W Cube Lights, refer page 32 for available options	

PREMIUM UNDERBODY PROTECTION

Engine Bay and Transmission	UBP072
-----------------------------	--------

SLIDE-AWAY ROLL UP HARD TONNEAU COVER

Electric with Remote Control (Long Bed)	ISLIDEAWAY072L-E
Electric with Remote Control (Short Bed)	ISLIDEAWAY072S-E

ATLAS RACK KITS

Platform G with Blade Fit Kit to Suit Slideaway Hard Tonneau Cover - 1390mm Length	IFRSLDAWAYPGK
Crossbar (x 2) and Fit Kit to Suit Slideaway Hard Tonneau Cover - 1650mm Width	IFRSLDAWAYC2K
• See Page 38-41 for more Atlas rack, crossbar and accessory options.	

BREATHER KIT

Universal Twin Manifold Filtered Breather Kit	IDIFFBRE
---	----------



2005 to 2023

SUSPENSION TO SUIT

Toyota Tacoma

Product Description

Part No.

Qty
Req

Please check vehicle date range (if shown) next to product description prior to ordering

SUSPENSION TO SUIT TOYOTA TACOMA - 2005 TO 2023

FRONT SUSPENSION

SHOCK ABSORBER

Nitro Gas Strut - Performance			12710GR	2
Foam Cell Strut - Performance			24710FE	2
Foam Cell Pro Strut - Performance			45710FE	2

COIL SPRINGS

	Est. Lift	Additional Load		
Light	45mm	0 - 50kg	TOY065A	1
Medium	45mm	0 - 50kg	TOY065B	1
Heavy	45mm	50 - 110kg	TOY065C	1

STRUT MOUNTS

Steel Strut Top			ISST001	2
-----------------	--	--	----------------	---

TRIM PACKERS

5mm Strut Trim Packer	Nitro Gas / Foam Cell		HILFR05/HILFR05F	2
10mm Strut Trim Packer	Nitro Gas / Foam Cell		HILFR10/HILFR10F	2
15mm Strut Trim Packer	Nitro Gas / Foam Cell		HILFR15/HILFR15F	2

• ONLY Compatible with IRONMAN 4X4 Struts (except Pro), lift height subject to 2:1 motion ratio. Unnecessary fitment may lift vehicle too high

CONTROL ARMS

Pro-Forge Upper Control Arms			UCA001FA-B	1
------------------------------	--	--	-------------------	---

SPACER KIT

Sway Bar Spacer			1198K	1
-----------------	--	--	--------------	---

REAR SUSPENSION

SHOCK ABSORBER

Nitro Gas - Performance			12744GR	2
Foam Cell - Performance			24744FE	2
Foam Cell Pro - Performance			45744FE	2

LEAF SPRINGS

	Est. Lift	Additional Load		
Medium - Drivers Side	50mm	0 - 200kg	TOY066BD/S	1
Medium - Near Side	50mm	0 - 200kg	TOY066BN/S	1
Heavy - Drivers Side	50mm	200kg-GVM	TOY066CD/S	1
Heavy - Near Side	50mm	200kg-GVM+	TOY066CN/S	1

U-BOLTS

U-Bolt Kit			437UBK	2
------------	--	--	---------------	---

POLYURETHANE SPRING BUSHES

Bush Kit			1191UK	1
----------	--	--	---------------	---

SPACER KIT

Centre Bearing Spacer Kit			1192K	1
---------------------------	--	--	--------------	---

HELPER SPRINGS

Load Plus Helper Springs			LP3	1
Add-A-Leaf			ISL6010	1

SUSPENSION KIT - Specify Front Coil Springs When Ordering

Medium - Nitro Gas	TOY066BKG
Medium - Foam Cell	TOY066BKF
Medium - Foam Cell Pro	TOY066BKP
Heavy - Nitro Gas	TOY066CKG
Heavy - Foam Cell	TOY066CKF
Heavy - Foam Cell Pro	TOY066CKP

LIFT AND LEVEL KIT

Spacer Kit - To Suit OEM Shock Absorbers	3" Lift - Front	2" Lift - Rear	76-072-001	1
--	-----------------	----------------	-------------------	---

• Not for use on TRD PRO models.
• Not for use on aftermarket shock absorbers.

SUSPENSION KIT CONTENTS

Shock Absorbers	Coil Springs	Polyurethane Spring Bushes	Strut Shock Absorbers
Leaf Springs	U-Bolts	Centre Bearing Spacer Kit	

LIFT AND LEVEL KIT CONTENTS

76-072-001 - OEM Shock Absorbers	Swaybar Spacer	Steel Strut Spacer	Diff Drop
	Cast Leaf Block	U-Bolts	

Toyota Tundra

2022+



Product Description

Part No.

Qty
Req

Please check vehicle date range (if shown) next to product description prior to ordering

ACCESSORIES TO SUIT TOYOTA TUNDRA - 2022+

STEEL WINCH BULL BARS

Apex Bull Bar - 60.3mm Tube

BBP098C

Raid Bull Bar Insert - Includes Integrated Recovery Points

BBR098I

105W Bright Sabre-X Single Row Slim Lightbar 522mm (20") Straight to suit Raid Bull Bar

ILBSR003B

1

• Apex and Raid Bull Bars are compatible with IRONMAN 4X4 Lightbars and 20W or 40W Cube Lights, refer page 29-33 for available options

STEEL SIDE STEPS

Premium Side Steps and Rails - 60.3mm Tube - Dimple Step Design

SSRP098-D

TOWING

Rear Protection Towbar

RTB098

• Raid Rear Bars are compatible with IRONMAN 4X4 12W or 20W Cube Lights, refer page 32 for available options

SLIDE-AWAY ROLL UP HARD TONNEAU COVER

Electric with Remote Control (Long Bed)

ISLIDEAWAY073L-E

Electric with Remote Control (Short Bed)

ISLIDEAWAY073S-E

ATLAS RACK KITS

Platform G with Blade Fit Kit to Suit Slideaway Hard Tonneau Cover - 1390mm Length

IFRSLDAWAYPGK

Crossbar (x 2) and Fit Kit to Suit Slideaway Hard Tonneau Cover - 1650mm Width

IFRSLDAWAYC2K

• See Page 38-41 for more Atlas rack, crossbar and accessory options.

BREATHER KIT

Universal Twin Manifold Filtered Breather Kit

IDIFFBRE

Toyota Tundra

2022+

Product Description

Part No.

Qty
Req*Please check vehicle date range (if shown) next to product description prior to ordering***SUSPENSION TO SUIT TOYOTA TUNDRA - 2022+****FRONT SUSPENSION****SHOCK ABSORBER**

Nitro Gas Strut - Performance ¹	12002GR	2
Nitro Gas Strut - Long Travel Performance* ¹	12002LGR	2
Foam Cell Pro Strut - Performance	45002FE	2
Foam Cell Pro Strut - Long Travel Performance*	45002LFE	2

***NOTE: MANDATORY FITMENT** of UCA098FA with 45002LFE / 12002LGR

It is recommended to fit Toyota factory 'Red' CV's to lifted applications (P/N PT362 - 3432B) (P/N PT362 - 34321B). Failure to do so may cause premature wear

¹ Height adjustable with IRONMAN 4X4 Strut Trim Packers**COIL SPRINGS - TO SUIT NITRO GAS**

	Est. Lift	Additional Load		
Light	50mm	0 - 50kg	TOY089A	1
Light	75mm	0 - 50kg	TOY085A	1
Medium	50mm	0 - 50kg	TOY089B	1
Medium	75mm	0 - 50kg	TOY085B	1
Heavy	50mm	50 - 110kg	TOY089C	1
Heavy	75mm	50 - 110kg	TOY085C	1

COIL SPRINGS - TO SUIT FOAM CELL PRO

	Est. Lift	Additional Load		
Light	50mm	0 - 50kg	TOY088A	1
Light	75mm	0 - 50kg	TOY086A	1
Medium	50mm	0 - 50kg	TOY088B	1
Medium	75mm	0 - 50kg	TOY086B	1
Heavy	50mm	50 - 110kg	TOY088C	1
Heavy	75mm	50 - 110kg	TOY086C	1

STRUT MOUNTS

Steel Strut Top	ISST004	2
-----------------	----------------	---

TRIM PACKERS

5mm Strut Trim Packer	Nitro Gas	HILFR05	2
-----------------------	-----------	----------------	---

• ONLY Compatible with IRONMAN 4X4 Struts (except Pro), lift height subject to 2:1 motion ratio. Unnecessary fitment may lift vehicle too high

CONTROL ARMS

Pro-Forge Upper Control Arms - AVAILABLE Q3, 2024	UCA098FA-B	1
---	-------------------	---

REAR SUSPENSION**SHOCK ABSORBER**

Nitro Gas - Comfort	12003GRC	2
Nitro Gas - Performance	12003GR	2
Foam Cell Pro - Comfort	45003FEC	2
Foam Cell Pro - Performance	45003FE	2
Foam Cell Pro - Professional	45003FEP	2

COIL SPRINGS

	Est. Lift	Additional Load		
Light	25mm	0 - 200kg	TOY087A	1
Medium	50mm	0 - 200kg	TOY087B	1
Medium (with Accessories)	50mm	200 - 400kg	TOY084B1	1
Heavy	50mm	400 - 800kg	TOY084C	1
Extra Heavy	50mm	800kg+	TOY084D	1

PANHARD ROD

Adjustable Panhard Rod	PANHARD019	1
------------------------	-------------------	---

LIFT AND LEVEL KIT

Spacer Kit (Coil Rear) - To Suit Front OEM Shock Absorber*	3"Lift - Front	2"Lift - Rear	76-098-001	1
Spacer Kit (Air Ride Rear) - To Suit Front OEM Shock Absorbers*	3"Lift - Front	2"Lift - Rear	76-098-002	1

* Not for use on TRD PRO models or trucks equipped with Load-Levelling Rear Height Control Air Suspension. Note: TRD Skid plate will not fit once kit is installed.

[†] Fits 2WD and 4WD Variants with 20" OEM Wheels. Not for use on TRD Pro w/ Bilstein coilover shocks, TRD rear sway bar option, Load-Levelling Rear Height Control, or vehicles with OEM 18" wheels.

• Not for use on other aftermarket shock absorbers. Reuse front OEM Shock Absorber.

LIFT AND LEVEL KIT CONTENTS

76-098-001 - OEM Shock Absorbers	Tubular Steel UCA Steel Coil Spacer Rear	Steel Strut Spacer Nitro Gas Twin Tube Shock Absorber - Rear Only	Diff Drop
76-098-002 - OEM Shock Absorbers	Tubular Steel UCA Steel Airbag Spacer Rear Nitro Gas Twin Tube Shock Absorber - Rear Only	Front Shock Extension Rear Bump Stop Extension	Cast Leaf Block Bump Stop Extension Rear

Toyota Tundra

2013 to 2020
2020 to 2021



Product Description

Part No.

Qty
Req

Please check vehicle date range (if shown) next to product description prior to ordering

ACCESSORIES TO SUIT TOYOTA TUNDRA - 2013-2021

STEEL WINCH BULL BARS

Raid Bull Bar

BBR073

300W Bright Sabre Dual Row Lightbar 815mm (32") Straight to suit Raid Bull Bar

ILBDR002B

300W Bright Sabre Multi-Function Dual Row Lightbar 815mm (32") Straight to suit Raid Bull Bar

ILBDR002BM

• Raid Bull Bars are compatible with IRONMAN 4X4 Lightbars and 10W, 20W or 40W Cube Lights, refer page 29-33 for available options

STEEL SIDE STEPS

Raid Rock Slider

SS073

• Crew-Max Models only

TOWING

Raid Rear Bumper*

RTB073

* Not compatible with rear cross traffic radar models

• Raid Rear Bars are compatible with IRONMAN 4X4 20W Cube Lights, refer page 32 for available options

PREMIUM UNDERBODY PROTECTION

Engine Bay and Transmission

UBP073

SLIDE-AWAY ROLL UP HARD TONNEAU COVER

Electric with Remote Control (Long Bed)

ISLIDEAWAY073L-E

Electric with Remote Control (Short Bed)

ISLIDEAWAY073S-E

ATLAS RACK KITS

Platform G with Blade Fit Kit to Suit Slideaway Hard Tonneau Cover - 1390mm Length

IFRSLDAWAYPGK

Crossbar (x 2) and Fit Kit to Suit Slideaway Hard Tonneau Cover - 1650mm Width

IFRSLDAWAYC2K

• See Page 38-41 for more Atlas rack, crossbar and accessory options.

BREATHER KIT

Universal Twin Manifold Filtered Breather Kit

IDIFFBRE



2006 to 2021

SUSPENSION TO SUIT

Toyota Tundra

Product Description

Part No.

Qty
Req

Please check vehicle date range (if shown) next to product description prior to ordering

SUSPENSION TO SUIT TOYOTA TUNDRA - 2006-2021

FRONT SUSPENSION

SHOCK ABSORBER

Foam Cell Strut - Performance			24780FE	2
Foam Cell Pro Strut - Performance			45780FE	2

• Foam Cell Pro - Must use TOY063B or TOY063C Front Coil Springs

COIL SPRINGS

	Est. Lift	Additional Load		
Medium	60mm	0 - 50kg	TOY070B	1
Heavy	60mm	50 - 110kg	TOY070C	1

• Not compatible with Foam Cell Pro, refer note above

STRUT MOUNTS

Steel Strut Top			ISST005	2
-----------------	--	--	----------------	---

TRIM PACKERS

5mm Strut Trim Packer	Foam Cell		HILFR05F	2
10mm Strut Trim Packer	Foam Cell		HILFR10F	2
15mm Strut Trim Packer	Foam Cell		HILFR15F	2

• ONLY Compatible with IRONMAN 4X4 Struts (except Pro), lift height subject to 2:1 motion ratio. Unnecessary fitment may lift vehicle too high

CONTROL ARMS

Pro-Forge Upper Control Arms			UCA073FA-B	1
------------------------------	--	--	-------------------	---

REAR SUSPENSION

SHOCK ABSORBER

Foam Cell - Performance			24781FE	2
Foam Cell Pro - Performance			45781FE	2

LEAF SPRINGS

	Est. Lift	Additional Load		
Medium	60mm	0 - 200kg	TOY071B	2
Heavy	60mm	200 - 400kg	TOY071C	2

U-BOLTS

U-Bolt Kit			678UBK	2
------------	--	--	---------------	---

POLYURETHANE SPRING BUSHES

Bush Kit			1196UK	1
----------	--	--	---------------	---

DRIVELINE SPACERS

Centre Bearing Spacer Kit			1217K	1
---------------------------	--	--	--------------	---

SPACER KIT

Brake Hose Relocation Kit			1197K	1
---------------------------	--	--	--------------	---

GREASABLE SHACKLES AND PINS

Greasable Shackle			1150	2
-------------------	--	--	-------------	---

HELPER SPRINGS

Load Plus Helper Springs			LP3	1
--------------------------	--	--	------------	---

SUSPENSION KIT - Specify Front Coil Springs When Ordering

Medium - Foam Cell	TOY070BKF
Medium - Foam Cell Pro	TOY070BKP
Heavy - Foam Cell	TOY070CKF
Heavy - Foam Cell Pro	TOY070CKP

SUSPENSION KIT CONTENTS

Shock Absorbers	Coil Springs	Polyurethane Spring Bushes	Strut Shock Absorbers
Leaf Springs	U-Bolts	Brake Hose Relocation Kit	

Troller T4

7/2014+



Product Description

Part No.

Qty
Req

Please check vehicle date range (if shown) next to product description prior to ordering

SUSPENSION TO SUIT TROLLER T4 - 7/2014+

FRONT SUSPENSION

SHOCK ABSORBER

Nitro Gas - Performance

12755GR

2

COIL SPRINGS

Est. Lift

Additional Load

Medium

50mm

0 - 50kg

TROL001B

1

REAR SUSPENSION

SHOCK ABSORBER

Nitro Gas - Performance

12755GR

2

COIL SPRINGS

Est. Lift

Additional Load

Medium

50mm

0 - 200kg

TROL002B

1

SUSPENSION KIT

Medium - Nitro Gas

TROL001BKG

SUSPENSION KIT CONTENTS

Shock Absorbers

Coil Springs

Troller T4

1997 to 6/2014



Product Description

Part No.

Qty
Req

Please check vehicle date range (if shown) next to product description prior to ordering

SUSPENSION TO SUIT TROLLER T4 - 1997-6/2014

FRONT SUSPENSION

SHOCK ABSORBER

Nitro Gas - Performance

12765GR

2

COIL SPRINGS

Est. Lift

Additional Load

Medium

45mm

0 - 50kg

TROL003B

1

REAR SUSPENSION

SHOCK ABSORBER

Nitro Gas - Performance

12765GR

2

COIL SPRINGS

Est. Lift

Additional Load

Medium

45mm

0 - 200kg

TROL004B

1

SUSPENSION KIT

Medium - Nitro Gas

TROL003BKG

SUSPENSION KIT CONTENTS

Shock Absorbers

Coil Springs



All Models

SUSPENSION TO SUIT

UAZ Hunter

Product Description

Part No.

Qty
Req

Please check vehicle date range (if shown) next to product description prior to ordering

SUSPENSION TO SUIT UAZ HUNTER

FRONT SUSPENSION

SHOCK ABSORBER

Nitro Gas - Performance			12652GR	2
Foam Cell - Performance			24652FE	2

COIL SPRINGS

	Est. Lift	Additional Load		
Medium	45mm	0 - 80kg	IMAZ001B	1

REAR SUSPENSION

SHOCK ABSORBER

Nitro Gas - Performance			12698GR	2
Foam Cell - Performance			24698FE	2

LEAF SPRINGS

	Est. Lift	Additional Load		
Medium	45mm	0 - 300kg	IMAZ002B	2

U-BOLTS

U-Bolt Kit			678UBK	2
------------	--	--	--------	---

POLYURETHANE SPRING BUSHES

Bush Kit			1188UK	1
----------	--	--	--------	---

GREASABLE SHACKLES AND PINS

Greasable Shackle			1189	2
-------------------	--	--	------	---

SUSPENSION KIT

Medium - Nitro Gas	IMAZ001BKG
Medium - Foam Cell	IMAZ001BKF

SUSPENSION KIT CONTENTS

Shock Absorbers Leaf Springs Coil Springs U-Bolts Polyurethane Spring Bushes Shackles



1997+

ACCESSORIES TO SUIT

UAZ Hunter

Product Description

Part No.

Qty
Req

Please check vehicle date range (if shown) next to product description prior to ordering

SUSPENSION TO SUIT UAZ PATRIOT - 1997+

FRONT SUSPENSION

SHOCK ABSORBER

Nitro Gas - Performance			12637GRS	2
Foam Cell - Performance			24637FES	2

COIL SPRINGS

	Est. Lift	Additional Load		
Medium	45mm	0 - 80kg	IMAZ001B	1

REAR SUSPENSION

SHOCK ABSORBER

Nitro Gas - Performance			12698GR	2
Foam Cell - Performance			24698FE	2

LEAF SPRINGS

	Est. Lift	Additional Load		
Medium	45mm	0 - 300kg	IMAZ002B	2

U-BOLTS

U-Bolt Kit			678UBK	2
------------	--	--	--------	---

POLYURETHANE SPRING BUSHES

Bush Kit			1188UK	1
----------	--	--	--------	---

GREASABLE SHACKLES AND PINS

Greasable Shackle			1189	2
-------------------	--	--	------	---

SUSPENSION KIT

Medium - Nitro Gas	IMAZ001BKG1
Medium - Foam Cell	IMAZ001BKF1

SUSPENSION KIT CONTENTS

Shock Absorbers Leaf Springs Coil Springs U-Bolts Polyurethane Spring Bushes Greasable Shackles



Product Description

Part No.

Qty
Req

Please check vehicle date range (if shown) next to product description prior to ordering

ACCESSORIES TO SUIT VOLKSWAGEN AMAROK - 2023+

STEEL WINCH BULL BARS

Apex Bull Bar - 60.3mm Tube	BBP112C	
Apex Bull Bar Kit* - 60.3mm Tube	BBP112CK	
Raid Bull Bar	BBR112	
Raid Bull Bar Kit*	BBR112K	
Bull Bar Multi-Function Light Patch Loom	IBBPL110	
Driving Light / Lightbar Patch Loom	IPLS110	
120W Bright Sabre Single Row Lightbar 812mm (32") Straight to suit Raid Bull Bar	ILBSR002BW	1
<ul style="list-style-type: none"> Apex and Raid Bull Bars are compatible with IRONMAN 4X4 Lightbars and 20W or 40W Cube Lights, refer page 29-33 for available options Can also be fitted to both 2WD and 4WD models. Winch with Steel Cable and Roller Fairlead is not suitable - Use Winch with Synthetic Rope and Alloy Hawse only 		

STEEL SIDE STEPS AND RAILS

Side Steps - Dimple Step Design	SS110-D	
Premium Side Steps - 60.3mm Tube - Dimple Step Design	SSP110-D	
Premium Side Rails - 60.3mm Tube	SSP112 RAIL	
Premium Side Steps and Rails - 60.3mm Tube - Dimple Step Design	SSRP112-D	

TOWING

Class 4 Towbar - Compatible with Factory Rear Bumper	TB110	
Rear Protection Towbar - Full Rear Bumper Replacement	RTB112	
Towbar Wiring Loom - Plug and Play	ITBL110	

PREMIUM UNDERBODY PROTECTION

Engine Bay and Transmission	UBP110	
-----------------------------	--------	--

CANOPY - PINNACLE 2 SMOOTH FINISH FIBREGLASS (SIDE LIFT UP WINDOWS AND CENTRAL LOCKING REAR DOOR) - FITS 4X4 AND 4X2 DUAL CAB MODELS

Pre-Primed	ICANOPY112-P	
Clear White	ICANOPY112-W	

* Pre-primed canopies, plus colour coding.

• Requires tub strengthening bracket (ICANOPYBRACKET110) when fitting Pinnacle 2 Canopy

TUB STRENGTHENING BRACKET

To suit all Canopies and Slideaway Tonneau Cover - (Must be fitted)	ICANOPYBRACKET110	
---	-------------------	--

ATLAS DUAL CAB ROOF RACK KITS

Platform A with Blade Fit Kit (Suits Core, Life and Style) - 1530mm Length	IFR054PAK	
Platform A with Blade Fit Kit (Suits Panamericana and Aventura) - 1530mm Length	IFR110WTPAK	
Crossbar (x 2) and Fit Kit (Suits Core, Life and Style) - 1250mm Width	IFR054C2K	
Crossbar (x 2) and Fit Kit (Suits Panamericana and Aventura) - 1375mm Width	IFRK094	
Platform K with Leg Fit Kit to Suit Pinnacle 2 Canopy - 1390mm Length	IFRP2PKK	
Crossbar (x 2) and Fit Kit to Suit Pinnacle 2 Canopy - 1250mm Width	IFRP2C125K	
Platform S with Blade Fit Kit to Suit Slideaway Hard Tonneau Cover - 1390mm Length	IFRSLDAWAYPSK	
Crossbar (x 2) and Fit Kit to Suit Slideaway Hard Tonneau Cover - 1650mm Width	IFRSLDAWAYC2K	
• See Page 38-41 for more Atlas rack, crossbar and accessory options.		

FLOOR MATS

Moulded Fit TPO Floor Mats - Front and Rear Set	FLMT110-RHD-2ROW	
---	------------------	--

SUN SHADE

Vehicle Specific Sun Screen Shade - Front	SUNSHD110	
---	-----------	--

BREATHER KIT

Universal Twin Manifold Filtered Breather Kit	IDIFFBRE	
---	----------	--

BULL BAR KIT* CONTENTS

Apex Bull Bar	Bull Bar Patch Loom	Cube Lights (2)	Turn / Park Cube Lights (2)
Raid Bull Bar	Driving Light Loom	Cube Light Adaptor	Lightbar Cube Lights (4)



2023+

Volkswagen Amarok

Product Description

Part No.

Qty Req

Please check vehicle date range (if shown) next to product description prior to ordering

SUSPENSION TO SUIT VOLKSWAGEN AMAROK - 2023+

FRONT SUSPENSION

SHOCK ABSORBER

Nitro Gas Strut - Performance			12885GR	2
Foam Cell Strut - Performance			24885FE	2
Foam Cell Pro Strut - Performance			45885FE	2

COIL SPRINGS

	Est. Lift	Additional Load		
Light - No Bar	40mm	0 - 50kg	FOR010A	1
Medium - Bar Only	50mm	0 - 80kg	FOR010B	1
Heavy - Bar / Winch	50mm	80 - 120kg	FOR010C	1

• For V6 models, to achieve stated ride height add HILFR05F or adjust Pro seat height to 198mm

STRUT MOUNTS

Steel Strut Top			ISST110	2
-----------------	--	--	----------------	---

TRIM PACKERS

5mm Strut Trim Packer	Nitro Gas / Foam Cell		HILFR05/HILFR05F	2
10mm Strut Trim Packer	Nitro Gas / Foam Cell		HILFR10/HILFR10F	2
15mm Strut Trim Packer	Nitro Gas / Foam Cell		HILFR15/HILFR15F	2

• ONLY Compatible with IRONMAN 4X4 Struts (except Pro), lift height subject to 2:1 motion ratio. Unnecessary fitment may lift vehicle too high

CONTROL ARMS

Pro-Forge Upper Control Arms			UCA110FA-B	1
------------------------------	--	--	-------------------	---

REAR SUSPENSION

SHOCK ABSORBER

Nitro Gas - Comfort			12886GRC	2
Nitro Gas - Performance			12886GR	2
Foam Cell - Comfort			24886FEC	2
Foam Cell - Performance			24886FE	2
Foam Cell Pro - Comfort			45886FEC	2
Foam Cell Pro - Performance			45886FE	2
Foam Cell Pro - Professional			45886FEP	2

LEAF SPRINGS

	Est. Lift	Additional Load		
Light	40mm	0 - 200kg	FOR012A	2
Medium	45mm	0 - 300kg	FOR012B	2
Heavy	45mm	300kg - 600kg	FOR012C	2
Extra Heavy	45mm	600kg - GVM	FOR012D	2

• Possible driveline vibration may occur due to increased ride height, use 1223K to reduce vibration to satisfactory level

U-BOLTS

U-Bolt Kit			438UBK	2
------------	--	--	---------------	---

POLYURETHANE SPRING BUSHES

Bush Kit			1193UK	1
----------	--	--	---------------	---

SPACER KITS

Centre Bearing Spacer Kit			1223K	1
---------------------------	--	--	--------------	---

GREASABLE SHACKLES AND PINS

Greasable Shackle			1147	2
Non-Greasable Pin			387-1	2

HELPER SPRINGS

Extra Leaf (Suits IRONMAN 4X4 springs only)			FOR012XL3	2
Centre Bolt and Liner Kit to suit Extra Leaf FOR012XL3			FOR012XLK	1
Add-A-Leaf (Suits OEM springs only)			ISL6010-2	1

SUSPENSION KIT - Specify Front Coil Springs When Ordering

Light - Nitro Gas	FOR010AKG
Light - Foam Cell	FOR010AKF
Light - Foam Cell Pro	FOR010AKP
Medium - Nitro Gas	FOR010BKG
Medium - Foam Cell	FOR010BKF
Medium - Foam Cell Pro	FOR010BKP
Heavy - Nitro Gas	FOR010CKG
Heavy - Foam Cell	FOR010CKF
Heavy - Foam Cell Pro	FOR010CKP
Extra Heavy - Nitro Gas	FOR010DKG
Extra Heavy - Foam Cell	FOR010DKF
Extra Heavy - Foam Cell Pro	FOR010DKP

• Possible driveline vibration may occur due to increased ride height, use 1223K to reduce vibration to satisfactory level

SUSPENSION KIT CONTENTS

Shock Absorbers	Coil Springs	U-Bolts	Centre Bearing Spacer Kit
Strut Shock Absorbers	Leaf Springs	Polyurethane Spring Bushes	

OPTIONS AVAILABLE FOR THIS VEHICLE - SEE PAGE 401



Volkswagen Amarok

V6 / 4 Cylinder
11/2016 to 2022



Product Description

Part No.

Qty
Req

Please check vehicle date range (if shown) next to product description prior to ordering

ACCESSORIES TO SUIT VOLKSWAGEN AMAROK - 11/2016-2022

STEEL WINCH BULL BARS

Deluxe Bull Bar	BBCD060
Proguard No Loop Bull Bar	BBT060-NL
Proguard Single Loop Kit	BB060-SL
Proguard Triple Loop Kit	BB060-TL
Bull Bar Multi-Function Light Patch Loom	IBBPLO60
Driving Light / Lightbar Patch Loom	IPLS060
Driving Light / Lightbar Patch Loom - <i>While Stocks Last</i>	IPL060

• Can also be fitted to both 2WD and 4WD models.

STEEL SIDE STEPS AND RAILS

Side Steps	SS034
Side Steps - Dimple Step Design	SS034-D
Side Rails	SS034 RAIL
Side Steps and Rails	SSR034
Side Steps and Rails - Dimple Step Design	SSR034-D

TOWING

Rear Protection Towbar - Full Rear Bumper Replacement (11/2016 to 2020 only)	RTB060
Towbar Wiring Loom - Plug and Play	ITBL060

SNORKEL

Amarok	ISNORKELO37
--------	-------------

CANOPY - ABS PLASTIC (SIDE LIFT UP WINDOWS) - FITS 4X4 AND 4X2 DUAL CAB MODELS

Pre-Primed	CANOPY021-P
Candy White (B4B4)	CANOPY021-W

CANOPY - PINNACLE 2 SMOOTH FINISH FIBREGLASS (SIDE LIFT UP WINDOWS AND CENTRAL LOCKING REAR DOOR) - FITS 4X4 AND 4X2 DUAL CAB MODELS

Pre-Primed	ICANOPY060-P
Candy White (B4B4)	ICANOPY060-W

* Pre-primed canopies, plus colour coding.

SLIDE-AWAY ROLL UP HARD TONNEAU COVER

Electric with Remote Control	ISLIDEAWAY060-E
Sports Bar Adaptor	ISLIDEAWAY060-SBA

ATLAS DUAL CAB ROOF RACK KITS

Platform K with Leg Fit Kit to Suit Pinnacle 2 Canopy - 1390mm Length	IFRP2PKK
Crossbar (x 2) and Fit Kit to Suit Pinnacle 2 Canopy - 1250mm Width	IFRP2C125K
Platform G with Blade Fit Kit to Suit Slideaway Hard Tonneau Cover - 1390mm Length	IFRSLDAWAYPGK
Crossbar (x 2) and Fit Kit to Suit Slideaway Hard Tonneau Cover - 1650mm Width	IFRSLDAWAYC2K

• See Page 38-41 for more Atlas rack, crossbar and accessory options.

BREATHER KIT

Universal Twin Manifold Filtered Breather Kit	IDIFFBRE
---	----------



V6 / 4 Cylinder
11/2016 to 2022

SUSPENSION TO SUIT

Volkswagen Amarok

Product Description

Part No.

Qty
Req

Please check vehicle date range (if shown) next to product description prior to ordering

SUSPENSION TO SUIT VOLKSWAGEN AMAROK - 11/2016-2022

FRONT SUSPENSION

SHOCK ABSORBER

Nitro Gas Strut - Performance			12725GR	2
-------------------------------	--	--	----------------	---

COIL SPRINGS

	Est. Lift	Additional Load		
Medium - 4cyl	30mm	0 - 50kg	VOLKS001B	1
Heavy - V6	30mm	50 - 110kg	VOLKS001C	1
Heavy - V6	30mm	50 - 110kg	VOLKS001D	1

TRIM PACKERS

5mm Strut Trim Packer		Nitro Gas	HILFR05	2
10mm Strut Trim Packer		Nitro Gas	HILFR10	2
15mm Strut Trim Packer		Nitro Gas	HILFR15	2

• ONLY Compatible with IRONMAN 4X4 Struts, lift height subject to 2:1 motion ratio. Unnecessary fitment may lift vehicle too high

REAR SUSPENSION

SHOCK ABSORBER

Nitro Gas - Performance			12726GR	2
-------------------------	--	--	----------------	---

LEAF SPRINGS

	Est. Lift	Additional Load		
Medium	35mm	0 - 300kg	VOLKS002B	2
Heavy	35mm	200 - 400kg	VOLKS002C	2

U-BOLTS

U-Bolt Kit			415UBK	2
------------	--	--	---------------	---

POLYURETHANE SPRING BUSHES

Bush Kit	32mm Shackles Bushes		1190UK	1
----------	----------------------	--	---------------	---

HELPER SPRINGS

Load Plus Helper Springs			LP4	1
--------------------------	--	--	------------	---

SUSPENSION KIT - Specify Front Coil Springs When Ordering

Medium - Nitro Gas	VOLKS001BKG
Heavy - Nitro Gas	VOLKS001CKG

SUSPENSION KIT CONTENTS

Shock Absorbers	Coil Springs	Polyurethane Spring Bushes
Leaf Springs	U-Bolts	Strut Shock Absorbers

Volkswagen Amarok

2011 to 10/2016



Product Description

Part No.

Qty
Req

Please check vehicle date range (if shown) next to product description prior to ordering

ACCESSORIES TO SUIT VOLKSWAGEN AMAROK - 2011-10/2016

STEEL WINCH BULL BARS

Deluxe Bull Bar	BBCD034
Bull Bar Multi-Function Light Patch Loom	IBBPLO60
Driving Light / Lightbar Patch Loom	IPLS060
Driving Light / Lightbar Patch Loom - <i>While Stocks Last</i>	IPL060

• Can also be fitted to both 2WD and 4WD models.

STEEL SIDE STEPS AND RAILS

Side Steps	SS034
Side Steps - Dimple Step Design	SS034-D
Side Rails	SS034 RAIL
Side Steps and Rails	SSR034
Side Steps and Rails - Dimple Step Design	SSR034-D

SNORKEL

Amarok	ISNORKEL037
--------	-------------

CANOPY - ABS PLASTIC (SIDE LIFT UP WINDOWS) - FITS 4X4 AND 4X2 DUAL CAB MODELS

Pre-Primed	CANOPY021-P
Candy White (B4B4)	CANOPY021-W
Black (2T2)	CANOPY021-B

CANOPY - PINNACLE 2 SMOOTH FINISH FIBREGLASS (SIDE LIFT UP WINDOWS AND CENTRAL LOCKING REAR DOOR) - FITS 4X4 AND 4X2 DUAL CAB MODELS

Pre-Primed	ICANOPY060-P
Candy White (B4B4)	ICANOPY060-W

* Pre-primed canopies, plus colour coding.

SLIDE-AWAY ROLL UP HARD TONNEAU COVER

Electric with Remote Control	ISLIDEAWAY060-E
Sports Bar Adaptor	ISLIDEAWAY060-SBA

ATLAS DUAL CAB ROOF RACK KITS

Platform K with Leg Fit Kit to Suit Pinnacle 2 Canopy - 1390mm Length	IFRP2PKK
Crossbar (x 2) and Fit Kit to Suit Pinnacle 2 Canopy - 1250mm Width	IFRP2C125K
Platform G with Blade Fit Kit to Suit Slideaway Hard Tonneau Cover - 1390mm Length	IFRSLDAWAYPGK
Crossbar (x 2) and Fit Kit to Suit Slideaway Hard Tonneau Cover - 1650mm Width	IFRSLDAWAYC2K

• See Page 38-41 for more Atlas rack, crossbar and accessory options.

BREATHER KIT

Universal Twin Manifold Filtered Breather Kit	IDIFFBRE
---	----------



1997 to 10/2016

Volkswagen Amarok

Product Description

Part No.

Qty
Req

Please check vehicle date range (if shown) next to product description prior to ordering

SUSPENSION TO SUIT VOLKSWAGEN AMAROK - 1997-10/2016

FRONT SUSPENSION

SHOCK ABSORBER

Nitro Gas Strut - Performance			12725GR	2
-------------------------------	--	--	----------------	---

COIL SPRINGS

	Est. Lift	Additional Load		
Medium - 4cyl	30mm	0 - 50kg	VOLKS001B	1
Heavy - V6	30mm	50 - 110kg	VOLKS001C	1
Heavy - V6	30mm	50 - 110kg	VOLKS001D	1

TRIM PACKERS

5mm Strut Trim Packer		Nitro Gas	HILFR05	2
10mm Strut Trim Packer		Nitro Gas	HILFR10	2
15mm Strut Trim Packer		Nitro Gas	HILFR15	2

• ONLY Compatible with IRONMAN 4X4 Struts, lift height subject to 2:1 motion ratio. Unnecessary fitment may lift vehicle too high

REAR SUSPENSION

SHOCK ABSORBER

Nitro Gas - Performance			12726GR	2
-------------------------	--	--	----------------	---

LEAF SPRINGS

	Est. Lift	Additional Load		
Medium	35mm	0 - 300kg	VOLKS002B	2
Heavy	35mm	200 - 400kg	VOLKS002C	2

U-BOLTS

U-Bolt Kit			415UBK	2
------------	--	--	---------------	---

POLYURETHANE SPRING BUSHES

Bush Kit	32mm Shackles Bushes		1190UK	1
----------	----------------------	--	---------------	---

HELPER SPRINGS

Load Plus Helper Springs			LP4	1
--------------------------	--	--	------------	---

SUSPENSION KIT - Specify Front Coil Springs When Ordering

Medium - Nitro Gas	VOLKS001BKG
Heavy - Nitro Gas	VOLKS001CKG

SUSPENSION KIT CONTENTS

Shock Absorbers	Coil Springs	Polyurethane Spring Bushes
Leaf Springs	U-Bolts	Strut Shock Absorbers

SPARE PARTS CATALOGUE

Effective 1 June 2024



{ IRONMAN }
4X4

Spare Parts

Product Description

Part No.

BULL BARS

Bullbar Indicator - LED Park/Indicator/DRL (Pair)	BBPART002
1m Pinch Weld for Bumper Cut	BBPART006
Bull Bar Fog Light - Halogen (Pair)	BBPART008
Plastic Light Pod and Bracket - Old Style Triangle Unit (Each)	BBPART009
Plastic Light Pod Surround L/H	BBPART009 L/H
Plastic Light Pod Surround R/H	BBPART009 R/H
Wiring Loom - New Style	BBPART012
Plastic Inserts to suit Hilux Vigo BB002 (Pair)	BBPART013
IRONMAN 4X4 Bull Bar Logo Badge	BBPART014
IRONMAN 4X4 Logo Resin Style SS/ SSR Rails	BBPART019
Washer Bottle to Suit BBC050/ BBCD050/ BBT050	BBPART021
Bull Bar Loop O-Ring Kit	BBPART023
Bumper Override for BBT - New Style (Pair)	BBPART010
Bumper Override for BBC (Pair)	BBPART011
Bumper Override for BBC/ BBCD033 to BBC/ BBCD049	BBPART015
Bumper Override for BBCD035	BBPART020
Bumper Override For BBC051/ BBCD051 onwards	BBPART024
Bumper Override for BBT051 onwards	BBPART025
Licence Plate Bracket	BBPART026
Bull Bar LED Fog Light (Pair)	BBPART031
Polyurethane Override Kit to Suit BBR090 Raid Bar	BBPART045
Polyurethane Override Kit to Suit BBR110 Raid Bar	BBPART046
Numberplate Flip Bracket - Fairlead Mount	BBPART052
Numberplate Flip Bracket - Bar Mount	BBPART053
Bolt on Hoop to suit BBR077	BBPART054
UBP Mesh to suit BBCD110	BBPART062
Raid Headlight Infills to suit BBR075 (Pair)	BBPART063
Raid Headlight Pre-Primed Infills to suit BBR110 (Pair)	BBPART075
Raid Headlight Infill to suit BBR084 (Pair)	BBPART084
Raid Headlight Infill to suit BBR095 (Pair)	BBPART095
Textured Infills to suit BBR110 (Pair)	BBPART071
Recovery Points to suit BBCD110	BBPART064
Recovery Points to suit BBR110	BBPART068
Centre Mesh Infill to suit BBCD082	BBPART069
KDSS Compatibility Bolts to suit BBR064	BBPART070
Grille Support Bracket to suit BBP082	BBPART072
Intermediate Plate to suit BBCD088	BBPART073
Intercooler Bracket Spacer to suit BBR110	BBPART074
Bumper Override to suit BBR096	BBPART076
Load Resistor Kit with Mount Brackets for 12V/21W Indicator/Parker Replacement	LR12V21W
Load Resistor Kit with Mount Brackets for 12V/50W Indicator/Parker Replacement	LR12V50W
Universal Parking Sensor Holder to Suit Raid Bars (Lock Nut Style)	RAPIDPSHUNI
Angled Parking Sensor Holder to Suit 074 Bar (Pair)	PSH074M
Triple Stainless Steel Loop for BBT001	BBPARTLOOP001
Triple Stainless Steel Loop for BBT002	BBPARTLOOP002
Triple Stainless Steel Loop for BBT003	BBPARTLOOP003
Triple Stainless Steel Loop for BBT004	BBPARTLOOP004
Triple Stainless Steel Loop for BBT005/ 006	BBPARTLOOP005
Triple Stainless Steel Loop for BBT007	BBPARTLOOP007
Triple Stainless Steel Loop for BBT008	BBPARTLOOP008
Triple Stainless Steel Loop for BBT009	BBPARTLOOP009
Triple Stainless Steel Loop for BBT010	BBPARTLOOP010
Triple Stainless Steel Loop for BBT011	BBPARTLOOP011
Triple Stainless Steel Loop for BBT012	BBPARTLOOP012
Triple Stainless Steel Loop for BBT013	BBPARTLOOP013
Triple Stainless Steel Loop for BBT014	BBPARTLOOP014
Triple Stainless Steel Loop for BBT016	BBPARTLOOP016
Triple Stainless Steel Loop for BBT019	BBPARTLOOP019

Spare Parts

Product Description

Part No.

Triple Stainless Steel Loop for BBT020	BBPARTLOOP020
Triple Stainless Steel Loop for BBT024	BBPARTLOOP024
Triple Stainless Steel Loop for BBT025	BBPARTLOOP025
Triple Stainless Steel Loop for BBT027	BBPARTLOOP027
Triple Stainless Steel Loop for BBT029	BBPARTLOOP029
Triple Stainless Steel Loop for BBT031	BBPARTLOOP031
Triple Stainless Steel Loop for BBT033	BBPARTLOOP033
Triple Stainless Steel Loop for BBT034	BBPARTLOOP034
Triple Stainless Steel Loop for BBT037	BBPARTLOOP037
Triple Stainless Steel Loop for BBT038	BBPARTLOOP038
Triple Stainless Steel Loop for BBT039	BBPARTLOOP039
Triple Stainless Steel Loop for BBT040	BBPARTLOOP040
Triple Stainless Steel Loop for BBT041	BBPARTLOOP041
Triple Stainless Steel Loop for BBT042	BBPARTLOOP042
Triple Stainless Steel Loop for BBT043	BBPARTLOOP043
Triple Stainless Steel Loop for BBT044	BBPARTLOOP044
Triple Stainless Steel Loop for BBT045	BBPARTLOOP045
Triple Stainless Steel Loop for BBT047	BBPARTLOOP047
Triple Stainless Steel Loop for BBT048	BBPARTLOOP048
Triple Stainless Steel Loop for BBT049	BBPARTLOOP049
Triple Stainless Steel Loop for BBT050	BBPARTLOOP050
Triple Stainless Steel Loop for BBT051	BBPARTLOOP051
Triple Stainless Steel Loop for BBT054	BBPARTLOOP054
Triple Stainless Steel Loop for BBT056/ 056xv	BBPARTLOOP056
Triple Stainless Steel Loop for BBT057	BBPARTLOOP057
Triple Stainless Steel Loop for BBT058	BBPARTLOOP058

CANOPIES

Mount Kit for CANOPY014	CANOPY MOUNT KIT 014
Mount Kit for CANOPY015	CANOPY MOUNT KIT 015
Rear Door Handle and Key Set (For Non Central Locking Models)	CANOPYSPARE001
Rear Window Gas Strut CANOPY001/ 002/ 005/ 006/ 007 (Pair)	CANOPYSPARE002
Rear Window Gas Strut for CANOPY003/ 004 (Pair)	CANOPYSPARE003
Plate Side Lock Set All Models to CANOPY008 (Striker)	CANOPYSPARE004
Canopy Internal Light (All Models)	CANOPYSPARE005
Rubber Seal Kit Suits All to CANOPY007	CANOPYSPARE006
Rubber Seal Kit CANOPY008 to CANOPY011	CANOPYSPARE007
Rear Window Bolt Set for CANOPY003/ 004	CANOPYSPARE008
Edge Seal Kit for CANOPY006	CANOPYSPARE009
Edge Seal Kit for CANOPY005	CANOPYSPARE010
Edge Seal Kit for CANOPY001/ 002	CANOPYSPARE012
Replacement LED Brakelight (All Models)	CANOPYSPARE013
Sliding Window L/H for CANOPY001/ 002/ 005/ 006/ 007/ 009	CANOPYSPARE014
Sliding Window L/H for CANOPY003/ 004	CANOPYSPARE015
Sliding Window R/H for CANOPY003/ 004	CANOPYSPARE016
Sliding Window R/H for CANOPY001/ 002/ 005/ 006/ 007/ 009	CANOPYSPARE017
Rear Glass Rod Set for CANOPY001 to CANOPY007 and CANOPY009	CANOPYSPARE018
Rear Side Plate Lock Set for CANOPY010	CANOPYSPARE019
Rear Side Plate Lock Set for CANOPY009/ 011	CANOPYSPARE020
Sliding Window R/H for CANOPY008/ 010/ 011/ 012	CANOPYSPARE021
Sliding Window L/H for CANOPY008/ 010/ 011/ 012	CANOPYSPARE022
Rear Window Gas Strut for CANOPY011 (Pair)	CANOPYSPARE023
Rear Window Bolt Set for CANOPY001/ 002/ 005/ 006/ 007	CANOPYSPARE024
Rotary Lock for CANOPY008	CANOPYSPARE025
Rear Window Hinge Set for CANOPY001/ 002/ 005/ 006/ 007/ 009	CANOPYSPARE026
Rear Window Hinge Set for CANOPY008	CANOPYSPARE027
Rear Window Hinge Set for CANOPY010	CANOPYSPARE028
Rear Window Hinge Set for CANOPY011	CANOPYSPARE029
Rear Window Bolt Set Upper for CANOPY010	CANOPYSPARE031

Spare Parts

Product Description

Part No.

CANOPIES - CONTINUED

Front Sliding Window for CANOPY001/ 005/ 006/ 007/ 008/ 010/ 014	CANOPYSPARE032
Rear Window Gas Strut for CANOPY010 (Pair)	CANOPYSPARE033
Rear Window Gas Strut for CANOPY008 (Pair)	CANOPYSPARE034
Rotary Lock Set for CANOPY010/ 011/ 012	CANOPYSPARE035
Mount Kit for CANOPY001	CANOPYSPARE036
Mount Kit for CANOPY002	CANOPYSPARE037
Mount Kit for CANOPY003	CANOPYSPARE038
Mount Kit for CANOPY004	CANOPYSPARE039
Mount Kit for CANOPY005	CANOPYSPARE040
Mount Kit for CANOPY006	CANOPYSPARE041
Mount Kit for CANOPY007	CANOPYSPARE042
Mount Kit for CANOPY008	CANOPYSPARE043
Mount Kit for CANOPY009	CANOPYSPARE044
Mount Kit for CANOPY010	CANOPYSPARE045
Mount Kit for CANOPY011	CANOPYSPARE046
Mount Kit for CANOPY012	CANOPYSPARE047
Side Lift Up Window L/H for CANOPY001/ 002/ 005/ 006/ 007/ 009	CANOPYSPARE048
Side Lift Up Window R/H for CANOPY001/ 002/ 005/ 006/ 007/ 009	CANOPYSPARE049
Side Lift Up Window L/H for CANOPY003/ 004	CANOPYSPARE050
Side Lift Up Window R/H for CANOPY003/ 004	CANOPYSPARE051
Side Lift Up Window L/H for CANOPY008/ 010/ 011/ 012	CANOPYSPARE052
Side Lift Up Window R/H for CANOPY008/ 010/ 011/ 012	CANOPYSPARE053
Rubber Window Seal Kit for CANOPY001/ 002/ 003/ 004	CANOPYSPARE054
Window Rubber Seal Kit for CANOPY008	CANOPYSPARE055
Mounting Kit Seal for CANOPY010	CANOPYSPARE056
Window Rubber Seal Kit for CANOPY011	CANOPYSPARE057
Rear Window Bolt Set Lower Series 1	CANOPYSPARE058
Rear Window Bolt Set Lower for CANOPY010	CANOPYSPARE059
IRONMAN 4X4 Resin Logo Small	CANOPYSPARE060
Side Lift Up Window Handle for Series 1/ 2 (Set of 4)	CANOPYSPARE061
Side lift Up Window Handle for Series 3 (Set of 4)	CANOPYSPARE062
Rear Window Gas Strut for CANOPY009 (Pair)	CANOPYSPARE063
Front Sliding Window for CANOPY011/ 012	CANOPYSPARE064
Rear Window Lock and Key Set for CANOPY014/ 015	CANOPYSPARE066
Side Lift Up Window L/H for CANOPY014	CANOPYSPARE068
Side Lift Up Window R/H for CANOPY014	CANOPYSPARE069
Internal Light - Battery Operated	CANOPYSPARE070
Sliding Window L/H for CANOPY019/ 020	CANOPYSPARE071
Sliding Window R/H for CANOPY019/ 020	CANOPYSPARE072
Lift Up Window L/H for CANOPY019/ 020	CANOPYSPARE073
Lift Up Window R/H for CANOPY019/ 020	CANOPYSPARE074
Rear Door Key Set - Central Locking	CANOPYSPARE075
Rear Window Gas Strut for CANOPY014/ 015 (Pair)	CANOPYSPARE076
Side Lock Set for CANOPY014/ 015	CANOPYSPARE077
Rear Window Seal for CANOPY014/ 015/ 019/ 020	CANOPYSPARE078
Central Locking Solenoid	CANOPYSPARE079
Side Lift Up Window L/H for CANOPY013/ 015	CANOPYSPARE080
Side Lift Up Window R/H for CANOPY013/ 015	CANOPYSPARE081
Sliding Window L/H for CANOPY013/ 015/ 017	CANOPYSPARE082
Sliding Window R/H for CANOPY013/ 015/ 017	CANOPYSPARE083
Rubber Window Seal for Side Windows S3	CANOPYSPARE084
Rear Window Gas Strut for CANOPY012/ 019 (Pair)	CANOPYSPARE085
Rear Window Gas Strut for CANOPY013/ 017/ 018 (Pair)	CANOPYSPARE086
Rear Side Lock Catches for CANOPY019/ 020 (Pair)	CANOPYSPARE087
Sliding Window L/H for CANOPY022	CANOPYSPARE088
Sliding Window R/H for CANOPY022	CANOPYSPARE089
Side Lift Up Window L/H for CANOPY022	CANOPYSPARE090
Side Lift Up Window R/H for CANOPY022	CANOPYSPARE091

Spare Parts

Product Description

Part No.

Rear Window for CANOPY003	CANOPY003-WINDOW
Rear Window for CANOPY004	CANOPY004-WINDOW
Rear Window for CANOPY005	CANOPY005-WINDOW
Rear Window for CANOPY006	CANOPY006-WINDOW
Rear Window for CANOPY007	CANOPY007-WINDOW
Rear Window for CANOPY008	CANOPY008-WINDOW
Rear Window for CANOPY009	CANOPY009-WINDOW
Rear Window for CANOPY010	CANOPY010-WINDOW
Rear Window Assy for CANOPY010 - Central Locking	CANOPY010-CL WINDOW
Rear Window for CANOPY011	CANOPY011-WINDOW
Rear Window for CANOPY012	CANOPY012-WINDOW
Rear Window Assy for CANOPY014	CANOPY014-WINDOW
Rear Window Assy for CANOPY014 - Central Locking	CANOPY014-CL WINDOW
Rear Window Assy Suits CANOPY015	CANOPY015-WINDOW
Rear Window Assy for CANOPY015 - Central Locking	CANOPY015-CL WINDOW
Rear Window Assy Suits CANOPY017	CANOPY017-WINDOW
Rear Window Assy CANOPY019 - Central Locking	CANOPY019-CL WINDOW
Rear Window Assy CANOPY020 - Central Locking	CANOPY020-CL WINDOW
Lift Up Window L/H	CANFIBRESPARE006
Lift Up Window R/H	CANFIBRESPARE007
Front Sliding Window Complete	CANFIBRESPARE010
Rubber Seal Kit Bottom (All Models)	CANFIBRESPARE011
Rear Window Seal Kit (All)	CANFIBRESPARE012
Side Window Seal Kit (All)	CANFIBRESPARE013
Side Lift Up Window Gas Strut (All)	CANFIBRESPARE014
Interior LED Battery Light	CANFIBRESPARE015
Rear LED Brake Light	CANFIBRESPARE016
Canopy Mount Kit (All)	CANFIBRESPARE019
Door Side Bracket and Striker Plate (All)	CANFIBRESPARE020
Rear Door Side Lock Set (All)	CANFIBRESPARE021
Rear Door Hinge Set (All)	CANFIBRESPARE022
Rear Window Gas Strut Brackets (LH / RH)	CANFIBRESPARE023
Side Window Rubber Grommet (Kit of 4)	CANFIBRESPARE024
Roof Rail (All Models)	CANFIBRESPARE025
Fibreglass Canopy Packing Box	CANFIBRESPARE026
Rear Window Gas Strut LH (All Models)	CANFIBRESPARE027
Rear Window Gas Strut RH (All Models)	CANFIBRESPARE028
Rear Door Sidelock RH	CANFIBRESPARE029
Rear Door Sidelock LH	CANFIBRESPARE030
IRONMAN 4X4 Logo for Fibreglass Canopies (All Models)	CANFIBRESPARE031
Rear Door Bottom Seal (All Models)	CANFIBRESPARE032
Rear Door Sidelock Set RH (NP300 Only)	CANFIBRESPARE033
Rear Door Sidelock Set LH (NP300 Only)	CANFIBRESPARE034
Rear Window Lock and Key Set (NP300 Only)	CANFIBRESPARE035
Side and Rear Window Handle and Key Set	CANFIBRESPARE036
Canopy Mount Kit (MQ-MR Triton)	CANFIBRESPARE037
Canopy Mount Kit (NP300)	CANFIBRESPARE038
Canopy Mount Kit (Hilux Revo)	CANFIBRESPARE039
Rear Window Suits CANFIBRE054 (Includes Fibreglass Frame Black Painted)	CANFIBRE054-WINDOW
Rear Window Suits CANFIBRE050 (Includes Fibreglass Frame Black Painted)	CANFIBRE050-WINDOW
Rear Window Suits CANFIBRE051 (Includes Fibreglass Frame Black Painted)	CANFIBRE051-WINDOW
Rear Window Suits CANFIBRE048 (Includes Fibreglass Frame Black Painted)	CANFIBRE048-WINDOW
Rear Window Suits CANFIBRE057 (Includes Fibreglass Frame Black Painted)	CANFIBRE057-WINDOW
Rear Window for Pinnacle 2 ICANOPY048 (Complete)	ICANOPY048-WINDOW
Rear Window for Pinnacle 2 ICANOPY050 (Complete)	ICANOPY050-WINDOW
Rear Window for Pinnacle 2 ICANOPY051 (Complete)	ICANOPY051-WINDOW
Rear Window for Pinnacle 2 ICANOPY054 (Complete)	ICANOPY054-WINDOW
Rear Window for Pinnacle 2 ICANOPY060 (Complete)	ICANOPY060-WINDOW
Rear Window for Pinnacle 2 ICANOPY074 (Complete)	ICANOPY074-WINDOW

Spare Parts

Product Description

Part No.

CANOPIES - CONTINUED

Rear Window for Pinnacle 2 ICANOPY082 (Complete)	ICANOPY082-WINDOW
Sliding Window L/H for Pinnacle 2	ICANOPYSPARE001
Sliding Window R/H for Pinnacle 2	ICANOPYSPARE002
Lift Up Window L/H for Pinnacle 2	ICANOPYSPARE003
Lift Up Window R/H for Pinnacle 2	ICANOPYSPARE004
Lock and Key Set for Pinnacle 2 (Complete)	ICANOPYSPARE005
Side Window Gas Struts for Pinnacle 2	ICANOPYSPARE006
Rear Window (Small) Gas Strut for Pinnacle 2	ICANOPYSPARE007
Rear Window (Large) Gas Strut for Pinnacle 2	ICANOPYSPARE008
Central Locking Actuator for Pinnacle 2	ICANOPYSPARE009
LED Brake Light for Pinnacle 2	ICANOPYSPARE010
LED Internal Light for Pinnacle 2	ICANOPYSPARE011
Rubber Strip for Pinnacle 2 Canopy 050, 051, 054	ICANOPYSPARE013
Rubber Strip for Pinnacle 2 Canopy 074	ICANOPYSPARE014
Rubber Strip for Pinnacle 2 Canopy 082	ICANOPYSPARE015
Rubber Seal for Pinnacle 2 Canopy Side Window	ICANOPYSPARE016
Paint Protection Tape 150cm for Pinnacle 2 Canopies	ICANOPYSPARE020
Clamp Covers for Pinnacle 2 Canopies (6)	ICANOPYSPARE021
Fitting Kit for Pinnacle 2 Canopy 050, 051, 054, 060, 074, 082	ICANOPYSPARE100
Fitting Kit for Pinnacle 2 Canopy 110	ICANOPYSPARE110

CANOPY / ROOF RACKS

Cross Bar for Trade Style Fibreglass Canopies	IRRCROSSBAR001
IRONMAN 4X4 Logo for Cage Roof Racks	BBPART018
Wheel Clamp to suit 18/22 Cage Roof Racks	IRRWHEEL CLAMP

DRIVING LIGHTS

H11 35W 6000k Bulb for IHID001	IHIDBULB
Bull Bar Light Mount Bracket Suits Blast Series Driving Light	ILEDBLASTMOUNT
Bull Bar Light Mount Bracket Suits Blast Series 2 Driving Light	ILEDBLAST2MOUNT
Bull Bar Light Mount Bracket Suits Comet Series Driving Light	ILEDCOMETMOUNT
Bracket and Fasteners Kit Suits 20W Cube Lights	ILED20SPAREBKTS
Bracket and Fasteners Kit Suits 40W Cube Lights	ILED80SPAREBKTS
Bracket and Fasteners Kit Suits Bright Sabre and Bright Sabre-X Single Row Light Bars	ILBSRSPAREBKTS
Bracket and Fasteners Kit Suits Bright Sabre Single Row Light Bars	ILBSRWSPAREBKTS
Bracket and Fasteners Kit Suits Bright Sabre Dual Row Light Bars	ILBDRSPAREBKTS

FRIDGES

Lid for 30, 40 and 50L Fridge	IFRIDGESPARE001
12V Lead for Fridges (All models)	IFRIDGESPARE002
Australian 240V Power Lead for Fridges (All models)	IFRIDGESPARE003
European Power Lead for Fridges (All models) - While Stocks Last	IFRIDGESPARE004
Internal Basket for 30L Fridge	IFRIDGESPARE005
Internal Basket for 40L Fridge	IFRIDGESPARE006
Internal Basket for 50L Fridge	IFRIDGESPARE007
Internal LED Light Suits all Fridges	IFRIDGESPARE008
Digital Control Panel for 30, 40 and 50L Fridge	IFRIDGESPARE009
Control PCB for 30, 40 and 50L Fridge	IFRIDGESPARE010
Compressor Control Suits all Fridges	IFRIDGESPARE011
Battery Protection for 30, 40 and 50L Fridge	IFRIDGESPARE012
DC Fan for 30, 40 and 50L Fridge	IFRIDGESPARE013
Digital Control Panel for 65L Fridge Dual Control	IFRIDGESPARE014
Digital Control Panel for 74L Fridge Single	IFRIDGESPARE015
DC Fan for 65 and 74L Fridge	IFRIDGESPARE016
Hinge for 65 and 74L Fridge (x 1)	IFRIDGESPARE017
American Power Lead for Fridges (All models)	IFRIDGESPARE018
Internal Basket Small for 65L Fridge	IFRIDGESPARE019

Spare Parts

Product Description

Part No.

Internal Basket Large for 65L Fridge	IFRIDGESPARE020
Internal Basket Small for 74L Fridge	IFRIDGESPARE021
Internal Basket Large for 74L Fridge	IFRIDGESPARE022
Thermometer Probe for 30, 40 and 50L Fridge	IFRIDGESPARE023
Hinge and Spring for 30, 40 and 50L Fridge Lids	IFRIDGESPARE024
Thermometer Probe for 65 and 74L Fridge	IFRIDGESPARE025
Thermometer Probe for 65L Freezer Side	IFRIDGESPARE026
Digital Control Panel for 30, 40 and 50L Fridge (NEW)	IFRIDGESPARE027
Solenoid Valve for 65L Fridge	IFRIDGESPARE028

INSTANT AWNINGS

Awning L Mounting Brackets	IAWNINGSPARE001
Awning Hinge Joint for Poles	IAWNINGSPARE002
Awning Strap and Buckle	IAWNINGSPARE003
Awning Foot Piece with Rope	IAWNINGSPARE004
Awning End Pin	IAWNINGSPARE005
Awning Swivel Spacer	IAWNINGSPARE006
Awning Twist Lock	IAWNINGSPARE007
Awning Outer Pole 25mm - Tube Only	IAWNINGSPARE008
Awning Inner Pole 22mm - Tube Only	IAWNINGSPARE009
Replacement Awning Cover	IAWNINGSPARE010
Awning Square Rubber Catch	IAWNINGSPARE011
Awning 2.0 Horizontal External Pole	IAWNINGSPARE012
Awning 2.5 Horizontal External Pole	IAWNINGSPARE013
Plastic Clip for Awning Room/ Net	IAWNINGSPARE014
Horizontal Pole 2m	IAWNINGPART001
Horizontal Pole 2.5m	IAWNINGPART002
Vertical Pole	IAWNINGPART003
Rubber Stopper	IAWNINGPART004
Flex Joint	IAWNINGPART005
Light Strip and Dimmer Kit	IAWNINGPART006
'L' Mounting Bracket (1)	IAWNINGPART007
Guy Ropes and Peg Kit in Bag	IAWNINGPART008
Poles, Ropes, Pegs to suit Awning Room	IAWNINGPART009
Single Guy Ropes (Pair)	IAWNINGPART010

ROOF RACKS - ATLAS

T-Bolt M6 with Fasteners (4 Pack)	IFRFASTPACK1
T-Bolt M8 with Fasteners (4 Pack)	IFRFASTPACK2
Channel Nut M6 (4 Pack)	IFRFASTPACK3
Channel Nut M8 (4 Pack)	IFRFASTPACK4
Channel Nut M10 (4 Pack)	IFRFASTPACK5
Cross Bar 8mm Height Packer Kit for Cross Bar (Pair)	IFRHIGHPACK1
Cross Bar 15mm Height Packer Kit for Cross Bar (Pair)	IFRHIGHPACK2
Cross Bar 23mm Height Packer Kit for Cross Bar (Pair)	IFRHIGHPACK3

ROOFTOP TENTS

Travel Cover for Tent	IROOFTENTSPARE001
Mattress Cover	IROOFTENTSPARE002
Mounting Extrusions (x 2)	IROOFTENTSPARE003
Mounting Sliding Plate and Bolt	IROOFTENTSPARE004
Mounting Clamp	IROOFTENTSPARE005
Ladder Bracket (x 2)	IROOFTENTSPARE006
Bungee Cords (x 4)	IROOFTENTSPARE007
Window Rods (x 6)	IROOFTENTSPARE008
Straps for Tent Cover (x 2)	IROOFTENTSPARE010
Front Extrusion Bow	IROOFTENTSPARE011
Base Extrusion 1295mm	IROOFTENTSPARE012

Spare Parts

Product Description

Part No.

ROOFTOP TENTS - CONTINUED

Base Extrusion 1130mm	IROOFTENTSPARE013
Base Mid Extrusion Tongue/Groove (Pair)	IROOFTENTSPARE014
Tent Base Corner Piece	IROOFTENTSPARE015
Main Ladder	IROOFTENTSPARE016
Tent Fly Sheet	IROOFTENTSPARE017
Zip on Base For Cover	IROOFTENTSPARE018
Mattress	IROOFTENTSPARE019
Roof Top Tent Bow	IROOFTENTSPARE020

SIDE STEPS AND RAILS

Rubber Plug to suit SSRP Big Tube Style	SSRPART103
---	------------

SLIDE-AWAY ROLL UP HARD TONNEAU COVERS

Slide-Away - Metal Badge	ISLIDESPAREBADGE
Slide-Away - Brackets 100mm (Set of 6)	ISLIDESPAREBKT100
Slide-Away - Brackets 115mm (Set of 6)	ISLIDESPAREBKT115
Slide-Away - Brackets 45mm (Set of 6)	ISLIDESPAREBKT45
Slide-Away - Brackets 70mm (Set of 6)	ISLIDESPAREBKT70
Slide-Away - Brackets 80mm (Set of 6)	ISLIDESPAREBKT80
Slide-Away - Clutch	ISLIDESPARECLUTCH
Slide-Away Electric - ECU	ISLIDESPAREECU
Slide-Away Fastener Pack	ISLIDESPAREFSTR
Slide-Away Electric - LED Light Module	ISLIDESPARELIGHT
Slide-Away Electric - Drive Motor	ISLIDESPAREMOTOR
Slide-Away Electric - Remote Control	ISLIDESPAREREMOTE
Slide-Away Manual - Spare Key to Suit Barrel N0302 (Set of 2)	ISLIDEAWAYKEY302
Slide-Away Manual - Spare Key to Suit Barrel N0307 (Set of 2)	ISLIDEAWAYKEY307
Slide-Away Manual - Spare Key to Suit Barrel N0309 (Set of 2)	ISLIDEAWAYKEY309
Slide-Away Manual - Spare Key to Suit Barrel N0312 (Set of 2)	ISLIDEAWAYKEY312
Slide-Away Manual - Spare Key to Suit Barrel N0315 (Set of 2)	ISLIDEAWAYKEY315
Slide-Away Manual - Spare Key to Suit Barrel N0801 (Set of 2)	ISLIDEAWAYKEY801
Slide-Away Manual - Spare Key to Suit Barrel N0803 (Set of 2)	ISLIDEAWAYKEY803
Slide-Away Manual - Spare Key to Suit Barrel N0805 (Set of 2)	ISLIDEAWAYKEY805
Slide-Away Manual - Spare Key to Suit Barrel N0807 (Set of 2)	ISLIDEAWAYKEY807
Slide-Away Manual - Spare Key to Suit Barrel N0809 (Set of 2)	ISLIDEAWAYKEY809

SNORKELS

Snorkel Mesh Inset Suits 3" and 3.5" Hat	ISNORKELSPARE001
Overflow Bottle Suits ISNORKEL020	ISNORKELSPARE002
3" Snorkel Hat	ISNORKEL 3" HAT
3.5" Snorkel Hat	ISNORKEL 3.5" HAT
4" Snorkel Hat	ISNORKEL 4" HAT

SUSPENSION

Upper Control Arm Bush to Suit UCA001FA-2	UCAB001	ea
Upper Control Arm Bush to Suit UCA041FA-2	UCAB041	ea
Upper Control Arm Bush to Suit UCA041FAS-2	UCAB041S	ea
Upper Control Arm Bush to Suit UCA048FA-2	UCAB048	ea
Upper Control Arm Bush to Suit UCA050FA-2	UCAB050	ea
Droop Stop Shim to Suit UCA050FA-2	UCAP050	ea
Upper Control Arm Bush to Suit UCA054FA-2	UCAB054	ea
Upper Control Arm Bush to Suit UCA056FA-2	UCAB056	ea
Upper Control Arm Bush to Suit UCA073FA-2	UCAB073	ea
Upper Control Arm Bush to Suit UCA074FA-2	UCAB074	ea
Upper Control Arm Bush to Suit UCA075FA-2	UCAB075	ea

Spare Parts

Product Description

Part No.

Ball Joint Assembly to Suit UCA001FA, UCA001FA-B	UBJ-G01-001K	ea
Ball Joint Assembly to Suit UCA0041FA, UCA0041FA-B	UBJ-G01-041K	ea
Ball Joint Assembly to Suit UCA0041FAS, UCA0041FAS-B	UBJ-G01-041SK	ea
Ball Joint Assembly to Suit UCA0048FAS, UCA0048FA-B	UBJ-G01-048K	ea
Ball Joint Assembly to Suit UCA0050FA, UCA0050FA-B	UBJ-G01-050K	ea
Ball Joint Assembly to Suit UCA0054FA, UCA0054FA-B	UBJ-G01-054K	ea
Ball Joint Assembly to Suit UCA002FA-B, UCA0056FA, UCA0056FA-B, UCA073FA, UCA073FA-B	UBJ-G01-056K	ea
Ball Joint Assembly to Suit UCA074FA, UCA074FA-B	UBJ-G01-074K	ea
Ball Joint Assembly to Suit UCA075FA, UCA074FA-B	UBJ-G01-075K	ea
Ball Joint Assembly to Suit UCA087S	UBJ-G01-087K	ea
Ball Joint Assembly to Suit UCA090FA, UCA098FA-B	UBJ-G01-090K	ea
Ball Joint Assembly to Suit UCA097S	UBJ-G01-097K	ea
Ball Joint Assembly to Suit UCA0110FA-B, UCA109S-B	UBJ-G01-110K	ea
Ball Joint Assembly to Suit UCA0110FAS-B	UBJ-G01-110SK	ea
Leaf Spring 3/8" x 4" Centre Bolt	099	
Leaf Spring 5/16" x 4" Centre Bolt	098	
Leaf Spring 3/8" x 4" Centre Bolt - Extended Head	635	
Leaf Spring Plastic Clip Liner	CLINER001	
Leaf Spring Plastic Anti-Friction Pad (Oval Locator)	AFPAD001	
Leaf Spring Plastic Anti-Friction Pad (Round Locator)	AFPAD002	
Leaf Spring 1 Degree Wedge Kit	IWEDGE04	
Leaf Spring 2 Degree Wedge Kit	IWEDGE08	
Leaf Spring 3 Degree Wedge Kit	IWEDGE10	
Leaf Spring 4 Degree Wedge Kit	IWEDGE12	
Rubber Sway Bar Chassis Bush 36mm to Suit Nissan Patrol Y62 Front	ISBB60036R	
Rubber Sway Bar Axle Mounting Bush 27mm to Suit Nissan Patrol Y62 Rear	ISBB60027R	
Rubber Sway Bar Chassis Bush 33mm to Suit Toyota Hilux 2015+ Front	ISBB8033R	
Rubber Sway Bar Chassis Bush 38mm to Suit Toyota LC 200 Front	ISBB20038R	
Rubber Sway Bar Axle Mounting Bush 33mm to Suit Toyota LC 200 Rear	ISBB20033R	
Rubber Sway Bar End Bush to Suit Toyota LC 200 Rear	ISBB200REB	
Rubber Sway Bar Chassis Bush 33mm to Suit Toyota LC 70 Front Diesel	ISBB78933R	
Rubber Sway Bar End Bush to Suit Toyota LC 70 Front Diesel	ISBB789REB	
Chassis Mounting D Bracket to Suit Toyota LC 70 Front Diesel	ISBB789DB	
Rubber Sway Bar Chassis Bush 33mm to Suit Toyota LC 70 Front Petrol	ISBB78933R	
Rubber Sway Bar End Bush to Suit Toyota LC 70 Front Petrol	ISBB789REB	
Chassis Mounting D Bracket to Suit Toyota LC 70 Front Petrol	ISBB789DB	
Rubber Sway Bar Axle Mounting Bush 30mm to Suit Toyota LC 70 Rear	ISBB78930R	
Rubber Sway Bar End Bush to Suit Toyota LC 70 Rear	ISBB789REB	
Axle Mounting D Bracket to Suit Toyota LC 70 Rear	ISBB789DB	
Chassis Mounting Bracket Set to Suit Toyota LC 70 Rear	ISBB789RBK	

SWAGS

Poles to Suit Single Dome Swag (Set of 3)	ISWAGPART001	
Poles to Suit Double Dome Swag (Set of 3)	ISWAGPART002	
Swag Single Mattress	ISWAGSPARE001	
Swag Double Mattress	ISWAGSPARE002	

TOW BARS / REAR PROTECTION BARS

Licence Plate Light	RTBSPARE001	
Tow Bar Tongue and Ball	RTBSPARE002	
Plastic Sensor Cover to suit RTB067GLS	RTBSPARE004	
Universal Parking Sensor Holder to Suit Raid Bars (Lock Nut Style)	RAPIDPSHUNI	

Spare Parts

Product Description

Part No.

UBP UNDERBODY MOUNTING KITS

Mounting Kit for UBP019	UBP019MK
Mounting Kit for UBP019SC	UBP019SCMK
Mounting Kit for UBP033	UBP033MK
Mounting Kit for UBP041	UBP041MK
Mounting Kit for UBP047	UBP047MK
Mounting Kit for UBP047	UBP048MK
Mounting Kit for UBP050	UBP050MK
Mounting Kit for UBP051	UBP051MK
Mounting Kit for UBP054	UBP054MK
Mounting Kit for UBP055	UBP055MK
Mounting Kit for UBP056	UBP056MK
Mounting Kit for UBP057	UBP057MK
Mounting Kit for UBP201SY	UBP201SYMK

WINCHES

Remote With Wireless Receiver Unit for WWW9500/ 12000	WWB001
Solenoid (All models)	WWB002
Motor for WWB9500	WWB003
Motor with Brake Attachment for WWB9500	WWB003B
Motor for WWB12000 - New	WWB004
Motor with Brake Attachment for WWB12000	WWB004B
Diff Breather Kit for WWB9500/ 12000	WWB005
Tie Bars New Shape (2 Pc) (All models)	WWB006
Clutch Handle (All models)	WWB007
Gearbox Complete for WWW9500/ WWB9500	WWB008
Gearbox Complete for WWW12000/ WWB12000	WWB009
Brush Kit For Motor (All models)	WWB010
Replacement Hook (All models)	WWB011
Drum Support Housing Motor End (All models)	WWB012
Drum Support Housing Gearbox End (All models)	WWB013
Complete Control Box With Remote (All models)	WWB014
Wireless Plug (All models)	WWB015
Winch Cam Lock Brake System for WWW9500/ 12000	WWB016
Winch Drum (All models)	WWB017
Electric Motor Gasket (All models)	WWB018
Control Box Lead Socket for WWB9500/ 12000	WWB023
Plug In Lead for WWB9500/ 12000	WWB024
Internal Brake Replacement for WWW9500/ 12000	WWB025
Ferrule and Pin for Winch Hook	WWB026
Winch Damper Blanket (All models)	WINCH BLANKET
Winch Cam-Lock Brake System for WWB9500/ 12000	WWWBRAKE
Winch Clutch Handle	WWWCLUTCH
Drum For Winches	WWWDRUM
Drum Support Bush	WWWDRUMBUSH
End Plate For Gear Box	WWWENDPLATE GBOX
Fairlead Rollers For Ironman Winch	WWWFAIRLEAD
12000lb Winch Motor	WWWMOTOR12
9500lb Winch Motor	WWWMOTOR95
O-Ring For Inside The Drum For The Brake	WWWORING
Wireless Remote For Winch	WWWREMOTE WIRELESS
Steel Cable Lug for WWW12000/ WWB12000	WWWTAG12
Steel Cable Lug for WWW9500/ WWB9500	WWWTAG95
Winch Control Extension Plug - 500mm Length	WWB030
Winch Control Extension Plug - 1000mm Length	WWB031

Spare Parts

Product Description

Part No.

Winch Control Extension Plug - 1500mm Length	WWB032
Winch Control Box Mount - Universal Fit	WWBCP001
Winch Control Box Mount - To Suit 2022+ Next-Gen Ranger	WWBCP110
Winch Rope Drum - Monster / Frontier	WWB044
Winch Control Box Bracket - Small Controller	WWB045
• Replacement Battery A23 - Not a Spare Part	

MISCELLANEOUS

Air Compressor Replacement Hose	ICOMPRESSOR AIR LINE
Exhaust Generic Rubber Hanger (set 3) - 40-75mm	IEXH4075

Spare Parts

Product Description

Part No.



PRODUCT INSTALL TIME GUIDE

ACCESSORIES AND SUSPENSION

Effective 1 June 2024

{ IRONMAN }
4X4

Average Installation Times (in hours)

Product Description

Part No.

Note: All times listed below are approximate only and are based on fitting individual items. Times may vary based on vehicle, model and do not include any unforeseen issues with the vehicle and, or its condition.

INSTALLATION OF IRONMAN 4X4 PRODUCTS	APPROXIMATE FITTING TIME
BULL BARS	
Commercial Bull Bars	4-5 Hrs
Deluxe Bull Bars	4-5 Hrs
Premium Bull Bars	4-5 Hrs
Apex Bull Bars	4-5 Hrs
Raid Bull Bars	4-5 Hrs
CANOPIES	
ABS or Pinnacle 2	3 Hrs
DIFF BREATHER KIT	
Varies Dependent on Vehicle (approx only)	1.5 Hrs
FENDER FLARES	
Flares	3 Hrs
Extensions (0 Hrs if fitted at time of flares)	1 Hr
LIGHTS	
Light Bar or Driving Lights on Existing Bull Bar	1.5 Hrs
LONG RANGE FUEL TANKS	
Tanks	4 Hrs
RECOVERY POINTS	
At Time of Installing Bar	0.5 Hr
Fit to Existing Bar	1 Hr
ROOF RACKS AND FEET	
Racks	1.5 Hrs
Rails	1.5 Hrs
SEAT COVERS	
Front	0.5 Hrs
Rear	0.5 Hrs
SIDE STEPS AND RAILS	
Side Steps	2 Hrs
Side Steps and Rails	3 Hrs

INSTALLATION OF IRONMAN 4X4 PRODUCTS	APPROXIMATE FITTING TIME
SLIDE-AWAY	
Electric Roll Up Tonneau Cover	2 Hrs
Manual Roll Up Tonneau Cover	2 Hrs
Sports Bar Adaptors	1 Hr
SNORKELS	
All Snorkels	3 Hrs
SUSPENSION	
Suspension Fitment	4 Hrs
Upper Control Arm	2 Hrs
Spacer Kit	4-5 Hrs
Wheel Alignment	1 Hr
REAR BARS	
Towbar	2-3 Hrs
Rear Protection Towbar	2-3 Hrs
Rear Protection Towbar with Sensors	3 Hrs
UNDERBODY PROTECTION KITS	
UBP	1 Hr
WINCHES	
Note: Winch control box relocation may be required if the vehicle is fitted with additional accessories, radar and or camera	
At Time of Installing Bull Bar	1.5 Hrs
Fit to Existing Bull Bar	3 Hrs
WIRING / LOOMS	
Sensors/Cameras/Headlight Washers	0.5 Hr
Wire in Fog Lights using OEM Loom and Switches	0.5 Hr
Additional Wire in Fog Lights	1 Hr
IPLS	0.5 Hr
IBBPL	1 Hr



GVM UPGRADES CATALOGUE

Effective 1 June 2024

{ IRONMAN }
4X4

GVM Upgrades

Product Description

Part No.

Qty
Req

Plat.
ea. +GST

Dist.
ea. +GST

W/Sale
ea. +GST

Retail
ea Inc GST

USD
ea

GVM UPGRADE TO SUIT FORD RANGER - STANDARD TYRES

NEXT-GEN 2022+ - (PAGE 62)

	Front Axle Rating	Rear Axle Rating	Gross Vehicle Mass (GVM)	Gross Combined Mass (GCM)	Towing Capacity (Braked)
Original Equipment (OE)	1450kg	1960kg	3230kg	6400kg	3500kg
IRONMAN 4X4	1640kg	2100kg	3500kg - NA 3650kg - NB1	6400kg	3500kg

These figures are presented as a guide only. Always refer to the owner's manual for load ratings specific to the vehicle

PRE REGISTRATION - 3500KG

Additional Payload

Foam Cell - Temporary Load - NA Compliance	+270kg	FOR010BKFGVM-NA
Foam Cell - Permanent Load - NA Compliance	+270kg	FOR010CKFGVM-NA
Foam Cell - Permanent Load - NA Compliance	+270kg	FOR010DKFGVM-NA
Foam Cell Pro - Temporary Load - NA Compliance	+270kg	FOR010BKPGVM-NA
Foam Cell Pro - Permanent Load - NA Compliance	+270kg	FOR010CKPGVM-NA
Foam Cell Pro - Permanent Load - NA Compliance	+270kg	FOR010DKPGVM-NA

POST REGISTRATION - 3500KG

Additional Payload

Foam Cell - Temporary Load - NA Compliance	+270kg	FOR010BKFGVM1-NA
Foam Cell Pro - Temporary Load - NA Compliance	+270kg	FOR010BKPGVM1-NA

Federal Approval VTA-063145 - OE Approval No. VTA-060289

PRE REGISTRATION - 3650KG

Additional Payload

Foam Cell - Temporary Load - NB1 Compliance	+420kg	FOR010BKFGVM-NB1
Foam Cell - Permanent Load - NB1 Compliance	+420kg	FOR010CKFGVM-NB1
Foam Cell - Permanent Load - NB1 Compliance	+420kg	FOR010DKFGVM-NB1
Foam Cell Pro - Temporary Load - NB1 Compliance	+420kg	FOR010BKPGVM-NB1
Foam Cell Pro - Permanent Load - NB1 Compliance	+420kg	FOR010CKPGVM-NB1
Foam Cell Pro - Permanent Load - NB1 Compliance	+420kg	FOR010DKPGVM-NB1

POST REGISTRATION - 3650KG

Additional Payload

Foam Cell - Temporary Load - NB1 Compliance	+420kg	FOR010BKFGVM1-NB1
Foam Cell - Permanent Load - NB1 Compliance	+420kg	FOR010CKFGVM1-NB1
Foam Cell - Permanent Load - NB1 Compliance	+420kg	FOR010DKFGVM1-NB1
Foam Cell Pro - Temporary Load - NB1 Compliance	+420kg	FOR010BKPGVM1-NB1
Foam Cell Pro - Permanent Load - NB1 Compliance	+420kg	FOR010CKPGVM1-NB1
Foam Cell Pro - Permanent Load - NB1 Compliance	+420kg	FOR010DKPGVM1-NB1

Federal Approval VTA-063136 - OE Approval No. VTA-060289

- Only available through authorised IRONMAN 4X4 GVM upgrade installers
- Plus engineering sign off (Post Registration Only)
- Post Registration, State Approval - Vehicle must be inspected and approved by state authorised automotive engineer for issue of modification plate
- GVM orders must be submitted via the GVM Portal

GVM UPGRADE KIT CONTENTS

Shock Absorbers	Leaf Springs	Centre Bearing Spacer Kit	SSM Compliance Plate (pre reg. only)
Strut Shock Absorbers	U-Bolts	Greasable Shackles and Pins	GVM Stickers
Coil Springs	Polyurethane Spring Bushes	Tyre Placard	Cat. 6 Side Indicators (NB1 vehicles only)

Product Description

Part No.

Qty
Req

Plat.
ea. +GST

Dist.
ea. +GST

W/Sale
ea. +GST

Retail
ea Inc GST

USD
ea

GVM UPGRADE TO SUIT FORD RANGER

PX MK III (NOT USA MODEL) 7/2018 TO 2022 - (PAGE 66)

	Front Axle Rating	Rear Axle Rating	Gross Vehicle Mass (GVM)	Gross Combined Mass (GCM)	Towing Capacity (Braked)
Original Equipment (OE)	1480kg	1850kg	3200kg	6000kg	3500kg
IRONMAN 4X4	1500kg	2000kg	3500kg	6000kg	3500kg

These figures are presented as a guide only. Always refer to the owner's manual for load ratings specific to the vehicle

POST REGISTRATION - 3500KG

Additional Payload

Foam Cell Shocks - Temporary Load	+300kg	FOR005BKFGVM1	\$1703.50
Foam Cell Shocks - Permanent Load	+300kg	FOR005CKFGVM1	\$1731.00
Foam Cell Pro Shocks - Temporary Load	+300kg	FOR005BKPGVM1	\$1922.00
Foam Cell Pro Shocks - Permanent Load	+300kg	FOR005CKPGVM1	\$1949.50

Federal Approval VTA-047511 - OE Approval No. VTA-043280

- Only available through authorised IRONMAN 4X4 GVM upgrade installers
- Plus engineering sign off (Post Registration Only)
- Post Registration, State Approval - Vehicle must be inspected and approved by state authorised automotive engineer for issue of modification plate
- GVM orders must be submitted via the GVM Portal

GVM UPGRADE KIT CONTENTS

Shock Absorbers	Leaf Springs	Centre Bearing Spacer Kit	SSM Compliance Plate (pre reg. only)
Strut Shock Absorbers	U-Bolts	Greasable Shackles and Pins	GVM Stickers
Coil Springs	Polyurethane Spring Bushes	Tyre Placard	

GVM Upgrades

Product Description

Part No.

Qty
Req

Plat.
ea. +GST

Dist.
ea. +GST

W/Sale
ea. +GST

Retail
ea Inc GST

USD
ea

GVM UPGRADE TO SUIT FORD RANGER

PX MK II (NOT USA MODEL) 2015 TO 6/2018 - (PAGE 70)

	Front Axle Rating	Rear Axle Rating	Gross Vehicle Mass (GVM)	Gross Combined Mass (GCM)	Towing Capacity (Braked)
Original Equipment (OE)	1480kg	1850kg	3200kg	6000kg	3500kg
IRONMAN 4X4	1500kg	2000kg	3500kg	6000kg	3500kg

These figures are presented as a guide only. Always refer to the owner's manual for load ratings specific to the vehicle

POST REGISTRATION - 3500KG

Additional Payload

Foam Cell Shocks - Temporary Load	+300kg	FOR001BKFGVM1
Foam Cell Shocks - Permanent Load	+300kg	FOR001CKFGVM1
Foam Cell Pro Shocks - Temporary Load	+300kg	FOR001BKPGVM1
Foam Cell Pro Shocks - Permanent Load	+300kg	FOR001CKPGVM1

Federal Approval VTA-047511 - OE Approval No. VTA-043280

- Only available through authorised IRONMAN 4X4 GVM upgrade installers
- Plus engineering sign off (Post Registration Only)
- Post Registration, State Approval - Vehicle must be inspected and approved by state authorised automotive engineer for issue of modification plate
- GVM orders must be submitted via the GVM Portal

GVM UPGRADE KIT CONTENTS

Shock Absorbers	Leaf Springs	Centre Bearing Spacer Kit	GVM Stickers
Strut Shock Absorbers	U-Bolts	Greasable Shackles and Pins	
Coil Springs	Polyurethane Spring Bushes	Tyre Placard	

GVM UPGRADE TO SUIT FORD RANGER

T6 PX (NOT USA MODEL) 2011 TO 2015 - (PAGE 74)

	Front Axle Rating	Rear Axle Rating	Gross Vehicle Mass (GVM)	Gross Combined Mass (GCM)	Towing Capacity (Braked)
Original Equipment (OE)	1480kg	1850kg	3200kg	6000kg	3500kg
IRONMAN 4X4	1500kg	2000kg	3500kg	6000kg	3500kg

These figures are presented as a guide only. Always refer to the owner's manual for load ratings specific to the vehicle

POST REGISTRATION - 3500KG

Additional Payload

Foam Cell Shocks - Temporary Load	+300kg	FOR001BKFGVM1
Foam Cell Shocks - Permanent Load	+300kg	FOR001CKFGVM1
Foam Cell Pro Shocks - Temporary Load	+300kg	FOR001BKPGVM1
Foam Cell Pro Shocks - Permanent Load	+300kg	FOR001CKPGVM1

Federal Approval VTA-047511 - OE Approval No. VTA-043280

- Only available through authorised IRONMAN 4X4 GVM upgrade installers
- Plus engineering sign off (Post Registration Only)
- Post Registration, State Approval - Vehicle must be inspected and approved by state authorised automotive engineer for issue of modification plate
- GVM orders must be submitted via the GVM Portal

GVM UPGRADE KIT CONTENTS

Shock Absorbers	Leaf Springs	Centre Bearing Spacer Kit	GVM Stickers
Strut Shock Absorbers	U-Bolts	Greasable Shackles and Pins	
Coil Springs	Polyurethane Spring Bushes	Tyre Placard	

Product Description

Part No.

Qty
Req

Plat.
ea. +GST

Dist.
ea. +GST

W/Sale
ea. +GST

Retail
ea Inc GST

USD
ea

GVM UPGRADE TO SUIT HOLDEN COLORADO

RG 2016 TO 2020 - (PAGE 94)

	Front Axle Rating	Rear Axle Rating	Gross Vehicle Mass (GVM)	Gross Combined Mass (GCM)	Towing Capacity (Braked)
Original Equipment (OE)	1450kg	1850kg	3150kg	6000kg	3500kg
IRONMAN 4X4	1500kg	2000kg	3500kg	6000kg	3500kg

These figures are presented as a guide only. Always refer to the owner's manual for load ratings specific to the vehicle

POST REGISTRATION - 3500KG

Additional Payload

Foam Cell - Temporary Load	up to 400kg	HOLD021CKF2GVM1
Foam Cell - Permanent Load	up to 400kg	HOLD021DKF2GVM1
Foam Cell Pro - Temporary Load	up to 400kg	HOLD021CKP2GVM1
Foam Cell Pro - Permanent Load	up to 400kg	HOLD021DKP2GVM1

Federal Approval VTA-050676 - OE Approval No. VTA-049276

- Only available through authorised IRONMAN 4X4 GVM upgrade installers
- Plus engineering sign off (Post Registration Only)
- Post Registration, State Approval - Vehicle must be inspected and approved by state authorised automotive engineer for issue of modification plate
- GVM orders must be submitted via the GVM Portal

GVM UPGRADE KIT CONTENTS

Shock Absorbers	Leaf Springs	Greasable Shackles and Pins
Strut Shock Absorbers	U-Bolts	Tyre Placard
Coil Springs	Polyurethane Spring Bushes	GVM Stickers

GVM UPGRADE TO SUIT HOLDEN COLORADO

RG 2012 TO 2015 - (PAGE 96)

	Front Axle Rating	Rear Axle Rating	Gross Vehicle Mass (GVM)	Gross Combined Mass (GCM)	Towing Capacity (Braked)
Original Equipment (OE)	1300kg	1680kg	2900kg	5400kg - Petrol 5900kg - Diesel	2500kg - Petrol 3000kg - Diesel
IRONMAN 4X4	1550kg	1950kg	3500kg	5400kg - Petrol 5900kg - Diesel	2500kg - Petrol 3000kg - Diesel

These figures are presented as a guide only. Always refer to the owner's manual for load ratings specific to the vehicle

POST REGISTRATION - 3500KG

Additional Payload

Foam Cell - Temporary Load	up to 600kg	HOLD021CKFGVM1
Foam Cell - Permanent Load	up to 600kg	HOLD021DKFGVM1
Foam Cell Pro - Temporary Load	up to 600kg	HOLD021CKPGVM1
Foam Cell Pro - Permanent Load	up to 600kg	HOLD021DKPGVM1

Federal Approval VTA-050676 - OE Approval No. VTA-043669

- Only available through authorised IRONMAN 4X4 GVM upgrade installers
- Plus engineering sign off (Post Registration Only)
- Post Registration, State Approval - Vehicle must be inspected and approved by state authorised automotive engineer for issue of modification plate
- GVM orders must be submitted via the GVM Portal

GVM UPGRADE KIT CONTENTS

Shock Absorbers	Leaf Springs	Greasable Shackles and Pins
Strut Shock Absorbers	U-Bolts	Tyre Placard
Coil Springs	Polyurethane Spring Bushes	GVM Stickers

GVM Upgrades

Product Description

Part No.

Qty
Req

Plat.
ea. +GST

Dist.
ea. +GST

W/Sale
ea. +GST

Retail
ea Inc GST

USD
ea

GVM UPGRADE TO SUIT ISUZU D-MAX

2019+ (PAGE 112)

	Front Axle Rating	Rear Axle Rating	Gross Vehicle Mass (GVM)	Gross Combined Mass (GCM)	Towing Capacity (Braked)
Original Equipment (OE)	1450kg	1910kg	3100kg	5950kg	3500kg
IRONMAN 4X4	1500kg	2000kg	3500kg	5950kg	3500kg

These figures are presented as a guide only. Always refer to the owner's manual for load ratings specific to the vehicle

PRE REGISTRATION - 3500KG

Additional Payload

Foam Cell - Temporary Load	up to 500kg	HOLD021CKF3GVM
Foam Cell - Permanent Load	up to 500kg	HOLD021DKF3GVM
Foam Cell Pro - Temporary Load	up to 500kg	HOLD021CKP3GVM
Foam Cell Pro - Permanent Load	up to 500kg	HOLD021DKP3GVM

POST REGISTRATION - 3500KG

Additional Payload

Foam Cell - Temporary Load	up to 500kg	HOLD021CKF3GVM1
Foam Cell - Permanent Load	up to 500kg	HOLD021DKF3GVM1
Foam Cell Pro - Temporary Load	up to 500kg	HOLD021CKP3GVM1
Foam Cell Pro - Permanent Load	up to 500kg	HOLD021DKP3GVM1

2020-12/2021: Federal Approval VTA-051296 - OE Approval No. VTA-050736

2022+: Federal Approval VTA-060553 - OE Approval No. VTA-051560

- Only available through authorised IRONMAN 4X4 GVM upgrade installers
- Plus engineering sign off (Post Registration Only)
- Post Registration, State Approval - Vehicle must be inspected and approved by state authorised automotive engineer for issue of modification plate
- GVM orders must be submitted via the GVM Portal

GVM UPGRADE KIT CONTENTS

Shock Absorbers	Leaf Springs	Greasable Shackles and Pins	SSM Compliance Plate (pre reg. only)
Strut Shock Absorbers	U-Bolts	Brake Hose Extension Bracket	GVM Stickers
Coil Springs	Polyurethane Spring Bushes	Tyre Placard	

Product Description

Part No.

Qty
Req

Plat.
ea. +GST

Dist.
ea. +GST

W/Sale
ea. +GST

Retail
ea Inc GST

USD
ea

GVM UPGRADE TO SUIT ISUZU D-MAX

2012 TO 7/2019 - (PAGE 115 & 118)

	Front Axle Rating	Rear Axle Rating	Gross Vehicle Mass (GVM)	Gross Combined Mass (GCM)	Towing Capacity (Braked)
Original Equipment (OE)	1350kg	1870kg	2950kg - 3050kg	5950kg	3500kg
IRONMAN 4X4	1500kg	2000kg	3500kg	5950kg	3500kg

These figures are presented as a guide only. Always refer to the owner's manual for load ratings specific to the vehicle

POST REGISTRATION - 3500KG

Additional Payload

Foam Cell - Temporary Load	up to 550kg	HOLD021CKF1GVM1	-
Foam Cell - Permanent Load	up to 550kg	HOLD021DKF1GVM1	-
Foam Cell Pro - Temporary Load	up to 550kg	HOLD021CKP1GVM1	-
Foam Cell Pro - Permanent Load	up to 550kg	HOLD021DKP1GVM1	-

Federal Approval VTA-049748 - OE Approval No. VTA-043971

- Only available through authorised IRONMAN 4X4 GVM upgrade installers
- Plus engineering sign off (Post Registration Only)
- Post Registration, State Approval - Vehicle must be inspected and approved by state authorised automotive engineer for issue of modification plate
- GVM orders must be submitted via the GVM Portal

GVM UPGRADE KIT CONTENTS

Shock Absorbers	Leaf Springs	Greasable Shackles and Pins	GVM Stickers
Strut Shock Absorbers	U-Bolts	Brake Hose Extension Bracket	
Coil Springs	Polyurethane Spring Bushes	Tyre Placard	

GVM Upgrades

Product Description

Part No.

Qty
Req

Plat.
ea. +GST

Dist.
ea. +GST

W/Sale
ea. +GST

Retail
ea Inc GST

USD
ea

GVM UPGRADE TO SUIT MAZDA BT50

6/2020+ - (PAGE 154)

	Front Axle Rating	Rear Axle Rating	Gross Vehicle Mass (GVM)	Gross Combined Mass (GCM)	Towing Capacity (Braked)
Original Equipment (OE)	1450kg	1910kg	3100kg	5950kg	3500kg
IRONMAN 4X4	1500kg	2000kg	3500kg	5950kg	3500kg

These figures are presented as a guide only. Always refer to the owner's manual for load ratings specific to the vehicle

PRE REGISTRATION - 3500KG

Additional Payload

Foam Cell - Temporary Load	up to 500kg	HOLD021CKF3GVM
Foam Cell - Permanent Load	up to 500kg	HOLD021DKF3GVM
Foam Cell Pro - Temporary Load	up to 500kg	HOLD021CKP3GVM
Foam Cell Pro - Permanent Load	up to 500kg	HOLD021DKP3GVM

POST REGISTRATION - 3500KG

Additional Payload

Foam Cell - Temporary Load	up to 500kg	HOLD021CKF3GVM1
Foam Cell - Permanent Load	up to 500kg	HOLD021DKF3GVM1
Foam Cell Pro - Temporary Load	up to 500kg	HOLD021CKP3GVM1
Foam Cell Pro - Permanent Load	up to 500kg	HOLD021DKP3GVM1

6/2020-12/2021: Federal Approval VTA-051465 - OE Approval No. VTA-050871

2022+: Federal Approval VTA-060620 - OE Approval No. VTA-051650

- Only available through authorised IRONMAN 4X4 GVM upgrade installers
- Plus engineering sign off (Post Registration Only)
- Post Registration, State Approval - Vehicle must be inspected and approved by state authorised automotive engineer for issue of modification plate
- GVM orders must be submitted via the GVM Portal

GVM UPGRADE KIT CONTENTS

Shock Absorbers	Leaf Springs	Greasable Shackles and Pins	SSM Compliance Plate (pre reg. only)
Strut Shock Absorbers	U-Bolts	Brake Hose Relocation Kit	GVM Stickers
Coil Springs	Polyurethane Spring Bushes	Tyre Placard	

Product Description

Part No.

Qty
Req

Plat.
ea. +GST

Dist.
ea. +GST

W/Sale
ea. +GST

Retail
ea Inc GST

USD
ea

GVM UPGRADE TO SUIT NISSAN NAVARA

NP300 SERIES 5 2022+ - (PAGE 200)

	Front Axle Rating	Rear Axle Rating	Gross Vehicle Mass (GVM)	Gross Combined Mass (GCM)	Towing Capacity (Braked)
Original Equipment (OE)	1490kg	1850kg	3150kg	6000kg	3500kg
IRONMAN 4X4	1500kg	2000kg	3340kg	6000kg	3500kg

These figures are presented as a guide only. Always refer to the owner's manual for load ratings specific to the vehicle

PRE REGISTRATION - 3340KG

Additional Payload

Foam Cell - Temporary Load	+190kg	NISS058CKFGVM
Foam Cell - Permanent Load	+190kg	NISS058DKFGVM
Foam Cell Pro - Temporary Load	+190kg	NISS058CKPGVM
Foam Cell Pro - Permanent Load	+190kg	NISS058DKPGVM

POST REGISTRATION - 3340KG

Additional Payload

Foam Cell - Temporary Load	+190kg	NISS058CKFGVM1
Foam Cell Pro - Temporary Load	+190kg	NISS058CKPGVM1

Federal Approval VTA-060724 - OE Approval No. VTA-047155

- Only available through authorised IRONMAN 4X4 GVM upgrade installers
- Plus engineering sign off (Post Registration Only)
- Post Registration, State Approval - Vehicle must be inspected and approved by state authorised automotive engineer for issue of modification plate
- GVM orders must be submitted via the GVM Portal

GVM UPGRADE KIT CONTENTS

Shock Absorbers	Coil Springs	Tyre Placard	GVM Stickers
Strut Shock Absorbers	Sway Bar and Headlight Bracket Extension Kit	SSM Compliance Plate (pre reg. only)	

GVM Upgrades

Product Description

Part No.

Qty
Req

Plat.
ea. +GST

Dist.
ea. +GST

W/Sale
ea. +GST

Retail
ea Inc GST

USD
ea

GVM UPGRADE TO SUIT SUZUKI JIMNY

GJ 2018+ - (PAGE 253)

	Front Axle Rating	Rear Axle Rating	Gross Vehicle Mass (GVM)	Gross Combined Mass (GCM)	Towing Capacity (Braked)
Original Equipment (OE)	680kg	880kg	1435kg	2735kg	1300kg
IRONMAN 4X4	800kg	1100kg	1785kg	2735kg	1300kg

These figures are presented as a guide only. Always refer to the owner's manual for load ratings specific to the vehicle

PRE REGISTRATION - 1785KG

Additional Payload

Nitro Gas - Temporary Load

up to 350kg

SUZ010BKGGVM

Nitro Gas - Permanent Load

up to 350kg

SUZ010CKGGVM

POST REGISTRATION - 1785KG

Additional Payload

Nitro Gas - Temporary Load

up to 350kg

SUZ010BKGGVM1

Federal Approval VTA-050688 - OE Approval No. VTA-049434

- Only available through authorised IRONMAN 4X4 GVM upgrade installers
- Plus engineering sign off (Post Registration Only)
- Post Registration, State Approval - Vehicle must be inspected and approved by state authorised automotive engineer for issue of modification plate
- GVM orders must be submitted via the GVM Portal

GVM UPGRADE KIT CONTENTS

Shock Absorbers	Offset Bush Kit Rubber	Extended Bump Stop	GVM Stickers
Coil Springs	Extended Brake Hose	Tyre Placard	
Front Crossmember Drop Brackets	Extended Headlight Sensor Bracket	SSM Compliance Plate (pre reg. only)	

Product Description

Part No.

Qty Req Plat. ea. +GST Dist. ea. +GST W/Sale ea. +GST Retail ea. Inc GST USD ea

GVM UPGRADE TO SUIT TOYOTA HILUX

2015+ EXCLUDES HILUX ROGUE - (PAGE 278 & 282)

	Front Axle Rating	Rear Axle Rating	Gross Vehicle Mass (GVM)	Gross Combined Mass (GCM)	Towing Capacity (Braked)
Original Equipment (OE)	1450kg	1700kg	3050kg	5850kg	3500kg
IRONMAN 4X4 (3500kg)	1510kg	2000kg	3500kg	5850kg	3500kg
IRONMAN 4X4 (3510kg)	1510kg	2000kg	3510kg	5850kg	3500kg

These figures are presented as a guide only. Always refer to the owner's manual for load ratings specific to the vehicle

PRE REGISTRATION - 3500KG

Additional Payload

Foam Cell - Temporary Load - NA Compliance	up to 500kg	TOY077CKF1GVM
Foam Cell - Permanent Load - NA Compliance	up to 500kg	TOY077DKF1GVM
Foam Cell Pro - Temporary Load - NA Compliance	up to 500kg	TOY077CKP1GVM
Foam Cell Pro - Permanent Load - NA Compliance	up to 500kg	TOY077DKP1GVM

POST REGISTRATION - 3500KG

Additional Payload

Foam Cell - Temporary Load - NA Compliance	up to 500kg	TOY077CKF1GVM1
Foam Cell - Permanent Load - NA Compliance	up to 500kg	TOY077DKF1GVM1
Foam Cell Pro - Temporary Load - NA Compliance	up to 500kg	TOY077CKP1GVM1
Foam Cell Pro - Permanent Load - NA Compliance	up to 500kg	TOY077DKP1GVM1

PRE REGISTRATION - 3510KG

Additional Payload

Foam Cell - Temporary Load - NB1 Compliance	up to 510kg	TOY077CKFGVM
Foam Cell - Permanent Load - NB1 Compliance	up to 510kg	TOY077DKFGVM
Foam Cell Pro - Temporary Load - NB1 Compliance	up to 510kg	TOY077CKPGVM
Foam Cell Pro - Permanent Load - NB1 Compliance	up to 510kg	TOY077DKPGVM

POST REGISTRATION - 3510KG

Additional Payload

Foam Cell - Temporary Load - NB1 Compliance	up to 510kg	TOY077CKFGVM1
Foam Cell - Permanent Load - NB1 Compliance	up to 510kg	TOY077DKFGVM1
Foam Cell Pro - Temporary Load - NB1 Compliance	up to 510kg	TOY077CKPGVM1
Foam Cell Pro - Permanent Load - NB1 Compliance	up to 510kg	TOY077DKPGVM1

Federal Approval VTA-050749 (3500kg GVM) - OE Approval No. VTA-047341

Federal Approval VTA-048310 (3510kg GVM) - OE Approval No. VTA-047341

- Only available through authorised IRONMAN 4X4 GVM upgrade installers
- Plus engineering sign off (Post Registration Only)
- Post Registration, State Approval - Vehicle must be inspected and approved by state authorised automotive engineer for issue of modification plate
- GVM orders must be submitted via the GVM Portal

GVM UPGRADE KIT CONTENTS

Shock Absorbers	Leaf Springs	Greasable Shackles	Tyre Placard
Strut Shock Absorbers	U-Bolts	Non-Greasable Pin Kit	SSM Compliance Plate (pre reg. only)
Coil Springs	Polyurethane Spring Bushes	Cat. 6 Side Indicators (NB1 vehicles only)	GVM Stickers

GVM Upgrades

Product Description

Part No.

Qty
Req

Plat.
ea. +GST

Dist.
ea. +GST

W/Sale
ea. +GST

Retail
ea Inc GST

USD
ea

GVM UPGRADE TO SUIT TOYOTA HILUX

2005 TO 2015 - (PAGE 285)

	Front Axle Rating	Rear Axle Rating	Gross Vehicle Mass (GVM)	Gross Combined Mass (GCM)	Towing Capacity (Braked)
Original Equipment (OE)	1240kg - 1340kg ¹	1520kg - 1600kg ²	2850kg	4600kg - 4750kg ³	3200kg
IRONMAN 4X4	1540kg	1810kg	3350kg	4600kg - 4750kg ³	3200kg

¹ Front axle updated 4 times

² Single Cab and Double Cab 1600kg, Extra Cab 1520kg

³ 1GR-FE 4750kg, 2TR-FE 4600kg

These figures are presented as a guide only. Always refer to the owner's manual for load ratings specific to the vehicle

POST REGISTRATION - 3350KG

Additional Payload

Foam Cell - Temporary Load	up to 500kg	TOY057CKFGVM1
Foam Cell - Permanent Load	up to 500kg	TOY057DKFGVM1
Foam Cell Pro - Temporary Load	up to 500kg	TOY057CKPGVM1
Foam Cell Pro - Permanent Load	up to 500kg	TOY057DKPGVM1

Federal Approval VTA-044780 - OE Approval No. VTA-033886

- Only available through authorised IRONMAN 4X4 GVM upgrade installers
- Plus engineering sign off (Post Registration Only)
- Post Registration, State Approval - Vehicle must be inspected and approved by state authorised automotive engineer for issue of modification plate
- GVM orders must be submitted via the GVM Portal

GVM UPGRADE KIT CONTENTS

Shock Absorbers	Leaf Springs	Greasable Shackles and Pins
Strut Shock Absorbers	U-Bolts	Tyre Placard
Coil Springs	Polyurethane Spring Bushes	GVM Stickers

Product Description

Part No.

Qty
Req

Plat.
ea. +GST

Dist.
ea. +GST

W/Sale
ea. +GST

Retail
ea Inc GST

USD
ea

GVM UPGRADE TO SUIT TOYOTA LANDCRUISER

300 SERIES 2022+ - (PAGE 293)

	Front Axle Rating	Rear Axle Rating	Gross Vehicle Mass (GVM)	Gross Combined Mass (GCM)	Towing Capacity (Braked)
Original Equipment (OE)	1630kg	1930kg	3280kg	6000kg	3500kg
IRONMAN 4X4	1800kg	2250kg	4050kg	6000kg	3500kg

These figures are presented as a guide only. Always refer to the owner's manual for load ratings specific to the vehicle

PRE REGISTRATION - 4050KG

Additional Payload

Foam Cell - Temporary Load	+770kg	TOY083CKFGVM
Foam Cell Pro - Temporary Load	+770kg	TOY083CKPGVM
Foam Cell Pro - Permanent Load	+770kg	TOY083DKPGVM

POST REGISTRATION - 4050KG

Additional Payload

Foam Cell - Temporary Load	+770kg	TOY083CKFGVM1
Foam Cell Pro - Temporary Load	+770kg	TOY083CKPGVM1
Foam Cell Pro - Permanent Load	+770kg	TOY083DKPGVM1

Federal Approval TBA - OE Approval No. VTA-051650

- Only available through authorised IRONMAN 4X4 GVM upgrade installers
- Plus engineering sign off (Post Registration Only)
- Post Registration, State Approval - Vehicle must be inspected and approved by state authorised automotive engineer for issue of modification plate
- GVM orders must be submitted via the GVM Portal

GVM UPGRADE KIT CONTENTS

Shock Absorbers	Coil Springs	Tyre Placard	GVM Stickers
Strut Shock Absorbers	Spring Seat Support Kit	SSM Compliance Plate (pre reg. only)	Cat. 6 Side Indicators (NB1 vehicles only)
Reverse Light Kit			

GVM Upgrades

Product Description

Part No.

Qty
Req

Plat.
ea. +GST

Dist.
ea. +GST

W/Sale
ea. +GST

Retail
ea Inc GST

USD
ea

GVM UPGRADE TO SUIT TOYOTA LANDCRUISER

200 SERIES MC 2007+ - (PAGE 295) | 200 SERIES NB1 2007+ - (PAGE 295)

	Front Axle Rating	Rear Axle Rating	Gross Vehicle Mass (GVM)	Gross Combined Mass (GCM)	Towing Capacity (Braked)
Original Equipment (OE)	1630kg ¹ 1700kg ¹	1950kg	3300kg ² 3350kg ²	6850kg	3500kg 3550kg
IRONMAN 4X4	1800kg	2250kg	3580kg 4000kg	6850kg	3500kg 3550kg

¹ Front axle upgraded January 2012

² GVM upgraded January 2012

These figures are presented as a guide only. Always refer to the owner's manual for load ratings specific to the vehicle

POST REGISTRATION - 4000KG

Additional Payload

Foam Cell Pro - MC Compliance

up to 700kg

TOY063CKPGVM1-MC

Foam Cell Pro - NB1 Compliance

up to 700kg

TOY063CKPGVM1-NB1

Federal Approval (MC) VTA-050517 and (NB1) VTA-050503 - OE Approval No. MC VTA-038469 and NA VTA-043656

POST REGISTRATION - 3580KG

Additional Payload

Foam Cell Pro - Temporary Load

up to 280kg

TOY063BKPGVM1

• Only available through authorised IRONMAN 4X4 GVM upgrade installers

• Plus engineering sign off (Post Registration Only)

• Post Registration, State Approval - Vehicle must be inspected and approved by state authorised automotive engineer for issue of modification plate

• Upgrades NA vehicles to NB1 category (fitment of Cat. 6 side indicator lamps required)

• GVM orders must be submitted via the GVM Portal

GVM UPGRADE KIT CONTENTS

Shock Absorbers

Coil Springs

Tyre Placard

GVM Stickers

Strut Shock Absorbers

Cat. 6 Side Indicators (NA-NB1 vehicles only)

SSM Compliance Plate (pre reg. only)

Product Description

Part No.

Qty
Req

Plat.
ea. +GST

Dist.
ea. +GST

W/Sale
ea. +GST

Retail
ea Inc GST

USD
ea

GVM UPGRADE TO SUIT TOYOTA LANDCRUISER

79 SERIES SINGLE CAB 2007 TO 11/2022 - (PAGE 305)

	Front Axle Rating	Rear Axle Rating	Gross Vehicle Mass (GVM)	Gross Combined Mass (GCM)	Towing Capacity (Braked)
Original Equipment (OE)	1480kg	2300kg	3400kg	6900kg	3500kg
IRONMAN 4X4	1550kg	2800kg	3900kg	6900kg	3500kg

These figures are presented as a guide only. Always refer to the owner's manual for load ratings specific to the vehicle

PRE REGISTRATION - 3900KG

Additional Payload

Foam Cell - Temporary Load	up to 600kg	TOY047CKFGVM
Foam Cell - Frequent Load	up to 600kg	TOY047DKFGVM
Foam Cell - Permanent Load	up to 600kg	TOY047EKFGVM
Foam Cell Pro - Temporary Load	up to 600kg	TOY047CKPGVM
Foam Cell Pro - Frequent Load	up to 600kg	TOY047DKPGVM
Foam Cell Pro - Permanent Load	up to 600kg	TOY047EKPGVM

POST REGISTRATION - 3900KG

Additional Payload

Foam Cell - Temporary Load	up to 600kg	TOY047CKFGVM1
Foam Cell - Frequent Load	up to 600kg	TOY047DKFGVM1
Foam Cell - Permanent Load	up to 600kg	TOY047EKFGVM1
Foam Cell Pro - Temporary Load	up to 600kg	TOY047CKPGVM1
Foam Cell Pro - Frequent Load	up to 600kg	TOY047DKPGVM1
Foam Cell Pro - Permanent Load	up to 600kg	TOY047EKPGVM1

Federal Approval VTA-045466 - OE Approval No. VTA-003477

- Only available through authorised IRONMAN 4X4 GVM upgrade installers
- Plus engineering sign off (Post Registration Only)
- Post Registration, State Approval - Vehicle must be inspected and approved by state authorised automotive engineer for issue of modification plate
- GVM orders must be submitted via the GVM Portal

GVM UPGRADE KIT CONTENTS

Shock Absorbers	U-Bolts	Extended Brake Hose	Tyre Placard
Coil Springs	Polyurethane Spring Bushes	C Washer to Suit Brake Hose	SSM Compliance Plate (pre reg. only)
Leaf Springs	Greasable Shackles and Pins	Cat. 6 Side Indicators	GVM Stickers

GVM Upgrades

Product Description

Part No.

Qty
Req

Plat.
ea. +GST

Dist.
ea. +GST

W/Sale
ea. +GST

Retail
ea Inc GST

USD
ea

GVM UPGRADE TO SUIT TOYOTA LANDCRUISER - STANDARD TYRES

79 SERIES DUAL CAB 2024+ - (PAGE 309)

	Front Axle Rating	Rear Axle Rating	Gross Vehicle Mass (GVM)	Gross Combined Mass (GCM)	Towing Capacity (Braked)
Original Equipment (OE)	1480kg	2300kg	3510kg	7010kg	3500kg
IRONMAN 4X4	1630kg	2430kg 2570kg	4000kg 4200kg	7010kg	3500kg

These figures are presented as a guide only. Always refer to the owner's manual for load ratings specific to the vehicle

PRE REGISTRATION - 4000KG

Additional Payload

Foam Cell - Temporary Load	up to 600kg	TOY047CKF2GVM
Foam Cell - Frequent Load	up to 600kg	TOY047DKF2GVM
Foam Cell - Permanent Load	up to 600kg	TOY047EKF2GVM
Foam Cell Pro - Temporary Load	up to 600kg	TOY047CKP2GVM
Foam Cell Pro - Frequent Load	up to 600kg	TOY047DKP2GVM
Foam Cell Pro - Permanent Load	up to 600kg	TOY047EKP2GVM

PRE REGISTRATION - 4200KG

Additional Payload

Foam Cell - Temporary Load	up to 600kg	TOY047CKF1GVM
Foam Cell - Frequent Load	up to 600kg	TOY047DKF1GVM
Foam Cell - Permanent Load	up to 600kg	TOY047EKF1GVM
Foam Cell Pro - Temporary Load	up to 600kg	TOY047CKP1GVM
Foam Cell Pro - Frequent Load	up to 600kg	TOY047DKP1GVM
Foam Cell Pro - Permanent Load	up to 600kg	TOY047EKP1GVM

POST REGISTRATION - 4000KG

Additional Payload

Foam Cell - Temporary Load	up to 600kg	TOY047CKF2GVM1
Foam Cell - Frequent Load	up to 600kg	TOY047DKF2GVM1
Foam Cell - Permanent Load	up to 600kg	TOY047EKF2GVM1
Foam Cell Pro - Temporary Load	up to 600kg	TOY047CKP2GVM1
Foam Cell Pro - Frequent Load	up to 600kg	TOY047DKP2GVM1
Foam Cell Pro - Permanent Load	up to 600kg	TOY047EKP2GVM1

POST REGISTRATION - 4200KG

Additional Payload

Foam Cell - Temporary Load	up to 600kg	TOY047CKF1GVM1
Foam Cell - Frequent Load	up to 600kg	TOY047DKF1GVM1
Foam Cell - Permanent Load	up to 600kg	TOY047EKF1GVM1
Foam Cell Pro - Temporary Load	up to 600kg	TOY047CKP1GVM1
Foam Cell Pro - Frequent Load	up to 600kg	TOY047DKP1GVM1
Foam Cell Pro - Permanent Load	up to 600kg	TOY047EKP1GVM1

Federal Approval TBA - OE Approval No. VTA-060702

- Only available through authorised IRONMAN 4X4 GVM upgrade installers
- Plus engineering sign off (Post Registration Only)
- Post Registration, State Approval - Vehicle must be inspected and approved by state authorised automotive engineer for issue of modification plate
- GVM orders must be submitted via the GVM Portal

GVM UPGRADE KIT CONTENTS

Shock Absorbers	U-Bolts	Tyre Placard
Coil Springs	Polyurethane Spring Bushes	SSM Compliance Plate (pre reg. only)
Leaf Springs	Greasable Shackles and Pins	GVM Stickers

Product Description

Part No.

Qty
Req

Plat.
ea. +GST

Dist.
ea. +GST

W/Sale
ea. +GST

Retail
ea Inc GST

USD
ea

GVM UPGRADE TO SUIT TOYOTA LANDCRUISER - 35" TYRES

79 SERIES DUAL CAB 2024+ - (PAGE 309)

	Front Axle Rating	Rear Axle Rating	Gross Vehicle Mass (GVM)	Gross Combined Mass (GCM)	Towing Capacity (Braked)
Original Equipment (OE)	1480kg	2300kg	3510kg	7010kg	3500kg
IRONMAN 4X4	1630kg	2570kg	4200kg	7010kg	3500kg

These figures are presented as a guide only. Always refer to the owner's manual for load ratings specific to the vehicle

PRE REGISTRATION - 4200KG

Additional Payload

Foam Cell - Temporary Load	up to 690kg	TOY047CKF1GVM35
Foam Cell - Frequent Load	up to 690kg	TOY047DKF1GVM35
Foam Cell - Permanent Load	up to 690kg	TOY047EKF1GVM35
Foam Cell Pro - Temporary Load	up to 690kg	TOY047CKP1GVM35
Foam Cell Pro - Frequent Load	up to 690kg	TOY047DKP1GVM35
Foam Cell Pro - Permanent Load	up to 690kg	TOY047EKP1GVM35

POST REGISTRATION - 4200KG

Additional Payload

Foam Cell - Temporary Load	up to 690kg	TOY047CKF1GVM135
Foam Cell - Frequent Load	up to 690kg	TOY047DKF1GVM135
Foam Cell - Permanent Load	up to 690kg	TOY047EKF1GVM135
Foam Cell Pro - Temporary Load	up to 690kg	TOY047CKP1GVM135
Foam Cell Pro - Frequent Load	up to 690kg	TOY047DKP1GVM135
Foam Cell Pro - Permanent Load	up to 690kg	TOY047EKP1GVM135

Federal Approval TBA - OE Approval No. VTA-060702

- Only available through authorised IRONMAN 4X4 GVM upgrade installers
- Plus engineering sign off (Post Registration Only)
- Post Registration, State Approval - Vehicle must be inspected and approved by state authorised automotive engineer for issue of modification plate
- GVM orders must be submitted via the GVM Portal

GVM UPGRADE KIT CONTENTS

Shock Absorbers	U-Bolts	Tyre Placard	Speedo Correction Module (ISC019GVM)
Coil Springs	Polyurethane Spring Bushes	SSM Compliance Plate (pre reg. only)	
Leaf Springs	Greasable Shackles and Pins	GVM Stickers	

GVM Upgrades

Product Description

Part No.

Qty
Req

Plat.
ea. +GST

Dist.
ea. +GST

W/Sale
ea. +GST

Retail
ea Inc GST

USD
ea

GVM UPGRADE TO SUIT TOYOTA LANDCRUISER

79 SERIES DUAL CAB 2012 TO 11/2022 - (PAGE 309)

	Front Axle Rating	Rear Axle Rating	Gross Vehicle Mass (GVM)	Gross Combined Mass (GCM)	Towing Capacity (Braked)
Original Equipment (OE)	1480kg	2300kg	3300kg	6800kg	3500kg
IRONMAN 4X4	1550kg	2800kg	3900kg	6800kg	3500kg

These figures are presented as a guide only. Always refer to the owner's manual for load ratings specific to the vehicle

PRE REGISTRATION - 3900KG

Additional Payload

Foam Cell - Temporary Load	up to 600kg	TOY047CKFGVM
Foam Cell - Frequent Load	up to 600kg	TOY047DKFGVM
Foam Cell - Permanent Load	up to 600kg	TOY047EKFGVM
Foam Cell Pro - Temporary Load	up to 600kg	TOY047CKPGVM
Foam Cell Pro - Frequent Load	up to 600kg	TOY047DKPGVM
Foam Cell Pro - Permanent Load	up to 600kg	TOY047EKPGVM

POST REGISTRATION - 3900KG

Additional Payload

Foam Cell - Temporary Load	up to 600kg	TOY047CKFGVM1
Foam Cell - Frequent Load	up to 600kg	TOY047DKFGVM1
Foam Cell - Permanent Load	up to 600kg	TOY047EKFGVM1
Foam Cell Pro - Temporary Load	up to 600kg	TOY047CKPGVM1
Foam Cell Pro - Frequent Load	up to 600kg	TOY047DKPGVM1
Foam Cell Pro - Permanent Load	up to 600kg	TOY047EKPGVM1

Federal Approval VTA-045466 - OE Approval No. VTA-003477

- Only available through authorised IRONMAN 4X4 GVM upgrade installers
- Plus engineering sign off (Post Registration Only)
- Post Registration, State Approval - Vehicle must be inspected and approved by state authorised automotive engineer for issue of modification plate
- GVM orders must be submitted via the GVM Portal

GVM UPGRADE KIT CONTENTS

Shock Absorbers	U-Bolts	Extended Brake Hose	Tyre Placard
Coil Springs	Polyurethane Spring Bushes	C Washer to Suit Brake Hose	SSM Compliance Plate (pre reg. only)
Leaf Springs	Greasable Shackles and Pins	Cat. 6 Side Indicators	GVM Stickers

Product Description

Part No.

Qty
Req

Plat.
ea. +GST

Dist.
ea. +GST

W/Sale
ea. +GST

Retail
ea Inc GST

USD
ea

GVM UPGRADE TO SUIT TOYOTA LANDCRUISER

78 SERIES TROOP CARRIER 2007 TO 11/2022 - (PAGE 312)

	Front Axle Rating	Rear Axle Rating	Gross Vehicle Mass (GVM)	Gross Combined Mass (GCM)	Towing Capacity (Braked)
Original Equipment (OE)	1480kg	2300kg	3300kg	6800kg	3500kg
IRONMAN 4X4	1550kg	2800kg	3900kg	6800kg	3500kg

These figures are presented as a guide only. Always refer to the owner's manual for load ratings specific to the vehicle

PRE REGISTRATION - 3900KG

Additional Payload

Foam Cell - Temporary Load	up to 600kg	TOY047CKFGVM
Foam Cell - Frequent Load	up to 600kg	TOY047DKFGVM
Foam Cell - Permanent Load	up to 600kg	TOY047EKFGVM
Foam Cell Pro - Temporary Load	up to 600kg	TOY047CKPGVM
Foam Cell Pro - Frequent Load	up to 600kg	TOY047DKPGVM
Foam Cell Pro - Permanent Load	up to 600kg	TOY047EKPGVM

POST REGISTRATION - 3900KG

Additional Payload

Foam Cell - Temporary Load	up to 600kg	TOY047CKFGVM1
Foam Cell - Frequent Load	up to 600kg	TOY047DKFGVM1
Foam Cell - Permanent Load	up to 600kg	TOY047EKFGVM1
Foam Cell Pro - Temporary Load	up to 600kg	TOY047CKPGVM1
Foam Cell Pro - Frequent Load	up to 600kg	TOY047DKPGVM1
Foam Cell Pro - Permanent Load	up to 600kg	TOY047EKPGVM1

Federal Approval VTA-045466 - OE Approval No. VA-003477

- Only available through authorised IRONMAN 4X4 GVM upgrade installers
- Plus engineering sign off (Post Registration Only)
- Post Registration, State Approval - Vehicle must be inspected and approved by state authorised automotive engineer for issue of modification plate
- GVM orders must be submitted via the GVM Portal

GVM UPGRADE KIT CONTENTS

Shock Absorbers	U-Bolts	Extended Brake Hose	Tyre Placard
Coil Springs	Polyurethane Spring Bushes	C Washer to Suit Brake Hose	SSM Compliance Plate (pre reg. only)
Leaf Springs	Greasable Shackles and Pins	Cat. 6 Side Indicators	GVM Stickers

GVM Upgrades

Product Description

Part No.

Qty
Req

Plat.
ea. +GST

Dist.
ea. +GST

W/Sale
ea. +GST

Retail
ea Inc GST

USD
ea

GVM UPGRADE TO SUIT TOYOTA LANDCRUISER - STANDARD TYRES

76 SERIES 2024+ - (PAGE 320)

	Front Axle Rating	Rear Axle Rating	Gross Vehicle Mass (GVM)	Gross Combined Mass (GCM)	Towing Capacity (Braked)
Original Equipment (OE)	1480kg	2300kg	3510kg	7010kg	3500kg
IRONMAN 4X4	1480kg	2300kg	3700kg	7010kg	3500kg

These figures are presented as a guide only. Always refer to the owner's manual for load ratings specific to the vehicle

PRE REGISTRATION - 4200KG

Additional Payload

Foam Cell Pro - Temporary Load	up to 190kg	TOY062CKP1GVM
Foam Cell Pro - Frequent Load	up to 190kg	TOY062DKP1GVM

POST REGISTRATION - 4200KG

Additional Payload

Foam Cell Pro - Temporary Load	up to 190kg	TOY062CKP1GVM1
Foam Cell Pro - Frequent Load	up to 190kg	TOY062DKP1GVM1

Federal Approval TBA - OE Approval No. TBA

- Only available through authorised IRONMAN 4X4 GVM upgrade installers
- Plus engineering sign off (Post Registration Only)
- Post Registration, State Approval - Vehicle must be inspected and approved by state authorised automotive engineer for issue of modification plate
- GVM orders must be submitted via the GVM Portal

GVM UPGRADE TO SUIT TOYOTA LANDCRUISER - 35" TYRES

76 SERIES 2024+ - (PAGE 320)

	Front Axle Rating	Rear Axle Rating	Gross Vehicle Mass (GVM)	Gross Combined Mass (GCM)	Towing Capacity (Braked)
Original Equipment (OE)	1480kg	2300kg	3510kg	7010kg	3500kg
IRONMAN 4X4	1480kg	2300kg	3700kg	7010kg	3500kg

These figures are presented as a guide only. Always refer to the owner's manual for load ratings specific to the vehicle

PRE REGISTRATION - 4200KG

Additional Payload

Foam Cell Pro - Temporary Load	up to 190kg	TOY062CKP1GVM35	-
Foam Cell Pro - Frequent Load	up to 190kg	TOY062DKP1GVM35	-

POST REGISTRATION - 4200KG

Additional Payload

Foam Cell Pro - Temporary Load	up to 190kg	TOY062CKP1GVM135	-
Foam Cell Pro - Frequent Load	up to 190kg	TOY062DKP1GVM135	-

Federal Approval TBA - OE Approval No. TBA

- Only available through authorised IRONMAN 4X4 GVM upgrade installers
- Plus engineering sign off (Post Registration Only)
- Post Registration, State Approval - Vehicle must be inspected and approved by state authorised automotive engineer for issue of modification plate
- GVM orders must be submitted via the GVM Portal

GVM UPGRADE KIT CONTENTS

Shock Absorbers	U-Bolts	Tyre Placard	Speedo Correction Module (ISC019GVM)
Coil Springs	Polyurethane Spring Bushes	SSM Compliance Plate (pre reg. only)	
Leaf Springs	Greasable Shackles and Pins	GVM Stickers	

Product Description

Part No.

Qty
Req

Plat.
ea. +GST

Dist.
ea. +GST

W/Sale
ea. +GST

Retail
ea Inc GST

USD
ea

GVM UPGRADE TO SUIT VOLKSWAGEN AMAROK

2023+ - (PAGE 361)

	Front Axle Rating	Rear Axle Rating	Gross Vehicle Mass (GVM)	Gross Combined Mass (GCM)	Towing Capacity (Braked)
Original Equipment (OE)	1450kg	1960kg	3230kg	6400kg	3500kg
IRONMAN 4X4	1640kg	2100kg	3650kg - NB1	6400kg	3500kg

These figures are presented as a guide only. Always refer to the owner's manual for load ratings specific to the vehicle

PRE REGISTRATION - 3650KG

Additional Payload

Foam Cell - Permanent Load - NB1 Compliance	+420kg	FOR010CKF1GVM
Foam Cell - Permanent Load - NB1 Compliance	+420kg	FOR010DKF1GVM
Foam Cell Pro - Permanent Load - NB1 Compliance	+420kg	FOR010CKP1GVM
Foam Cell Pro - Permanent Load - NB1 Compliance	+420kg	FOR010DKP1GVM

POST REGISTRATION - 3650KG

Additional Payload

Foam Cell - Permanent Load - NB1 Compliance	+420kg	FOR010CKF1GVM1
Foam Cell - Permanent Load - NB1 Compliance	+420kg	FOR010DKF1GVM1
Foam Cell Pro - Permanent Load - NB1 Compliance	+420kg	FOR010CKP1GVM1
Foam Cell Pro - Permanent Load - NB1 Compliance	+420kg	FOR010DKP1GVM1

Federal Approval TBA - OE Approval No. TBA

- Only available through authorised IRONMAN 4X4 GVM upgrade installers
- Plus engineering sign off (Post Registration Only)
- Post Registration, State Approval - Vehicle must be inspected and approved by state authorised automotive engineer for issue of modification plate
- GVM orders must be submitted via the GVM Portal

GVM UPGRADE KIT CONTENTS

Shock Absorbers	Leaf Springs	Centre Bearing Spacer Kit	SSM Compliance Plate (pre reg. only)
Strut Shock Absorbers	U-Bolts	Greasable Shackles and Pins	GVM Stickers
Coil Springs	Polyurethane Spring Bushes	Tyre Placard	Cat. 6 Side Indicators (NB1 vehicles only)



GVM Upgrades

Product Description

Part No.

Qty
Req

Plat.
ea. +GST

Dist.
ea. +GST

W/Sale
ea. +GST

Retail
ea Inc GST

USD
ea

SUSPENSION SELECTION AND INFORMATION

Effective 1 June 2024



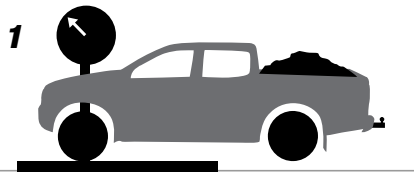
{ IRONMAN }
4X4

Understanding Load

Suspension is not something you often see when you first look at a vehicle. But when you need it, suspension can be the single most important upgrade you make. Original equipment suspension is set up to support your vehicle for on-road conditions with a reasonable amount of weight.

When you start to add vehicle accessories, attach a trailer or caravan and increase your load, the way the suspension handles the load changes. Couple that with uneven surfaces and off-road conditions, the OEM suspension can no longer take the additional strain.

LOAD DISTRIBUTION



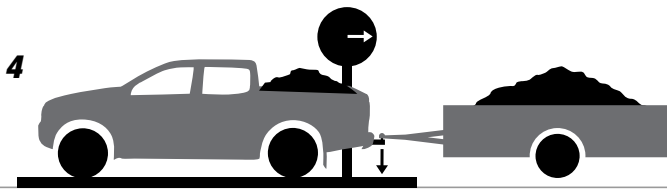
1
Load placed over the front half of the vehicle determines front spring selection
Ensure total weight does not exceed manufacturers axle load limit



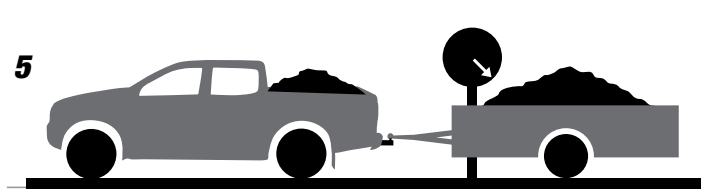
2
Load placed over the rear half of the vehicle determines rear spring selection
Ensure total weight does not exceed manufacturers axle load limit



3
 $1 + 2 =$ Total weight of vehicle
Ensure total weight does not exceed manufacturers GVM (gross vehicle mass)

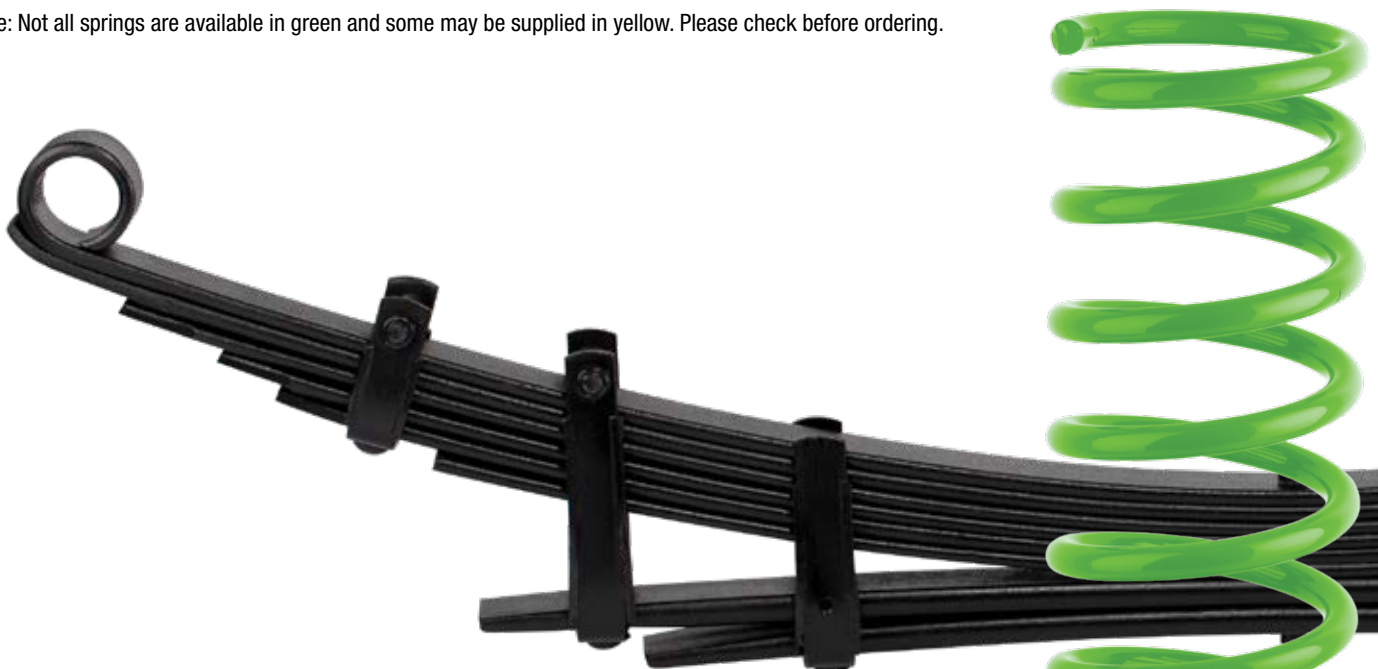


4
Vehicle with trailer connected minus total weight of vehicle = Ball weight
Ensure total weight of vehicle including ball weight does not exceed manufacturers GVM



5
Total weight of vehicle plus trailer weight = GCM (gross combined mass)
Ensure total weight of vehicle and trailer does not exceed manufacturers GCM

Please note: Not all springs are available in green and some may be supplied in yellow. Please check before ordering.



Determining Load

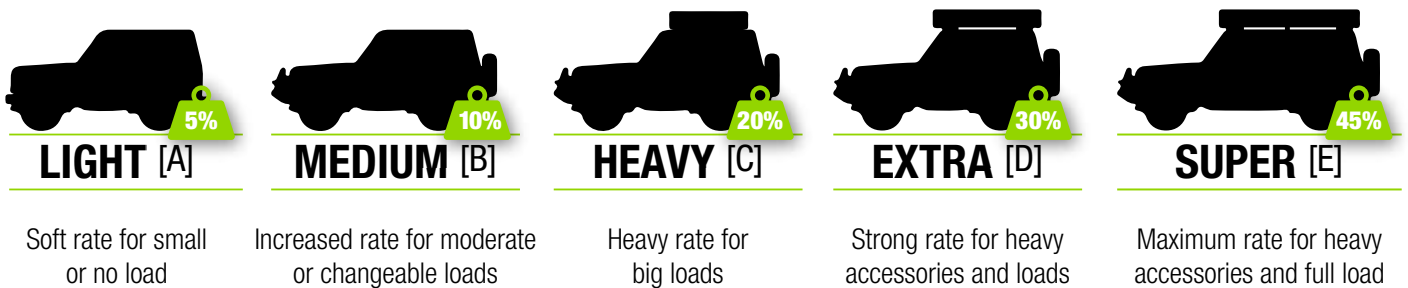
STEP ONE LOAD?

When your load changes, so should your springs.

Any heavy accessories or towing load added to your vehicle, changes the handling and overall safety when driving. The vehicle's springs must be matched to the load for optimum ride height and body control. IRONMAN 4X4 offer a range of springs to match the additional loads whether they are constant or temporary.

When you start kitting out your vehicle, take into consideration the kerb weight and how much load you are adding, this will change what level of strength you need. Remember, you cannot exceed your GVM, but you might be able to upgrade it. (See page 363 for GVM upgrade information)

IRONMAN 4X4 offer a range of springs matched to cater for every load scenario. To identify your spring type, start by finding your kerb weight and add your load, permanent and temporary. How much load have you added to your vehicle?



PART NUMBER SUFFIX S - Standard Height (eg. TOY063S)

Available for selected applications to provide enhanced performance at original vehicle manufacturers ride height.

PART NUMBER SUFFIX A - Light (eg. TOY047A)

Suitable for zero to light load applications, higher priority toward - Comfort with minimal increased ride height.

PART NUMBER SUFFIX B - Medium (eg. TOY047B)

Suitable for use in zero to medium load applications, ideal for moderately accessorised vehicles or occasional load.

PART NUMBER SUFFIX C - Heavy (eg. TOY047C)

Suitable for vehicles with permanent heavy accessories, higher priority towards load support, provides more control and firmer suspension.

PART NUMBER SUFFIX D - Extra Heavy (eg. TOY047D)

Suited only to vehicles with permanent heavy accessories combined with heavy additional load.

PART NUMBER SUFFIX E - Super Heavy (eg. TOY047E)

Maximum support for extra heavy loads typically commercial or mining use vehicles.

All lift heights quoted within this catalogue are general estimates only, relative to new vehicle ride height. Suggested lifts are based upon the lighter of the recommended additional load. The position of added weight can affect the result.

Understanding Terrain

STEP TWO TERRAIN?

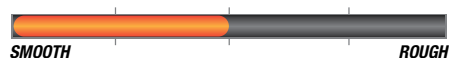
The terrain you travel most, determines what type of shock absorber is right for you! Forces generated by a loaded vehicle in rough terrain versus a lightly loaded vehicle in smooth terrain differ greatly and can be considerably higher.

Creating safe and appropriate dynamic handling at higher than original weights requires careful consideration. The range of IRONMAN 4X4 shock absorbers are designed to cover all terrains and possess the correct amount of damping resistance to provide a safe and comfortable ride.

Easy Terrain



NITROGAS



Nitro Gas

The Nitro Gas shock is the best value for affordable performance in all common conditions.

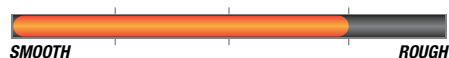
Highly versatile, the shock is a big step up above OEM suspension in performance and control.

- 35mm piston
- 54mm body
- 16mm piston rod
- Twin tube construction
- Nitrogen gas pressurised

Adventurous Terrain



FOAMCELL



Foam Cell

The Foam Cell shock will enhance your off-road durability and performance while still maintaining excellent on-road characteristics.

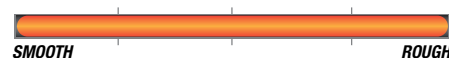
Excels in off-road conditions where heat build-up is a concern, the Foam Cell shock is larger in size and holds more oil, providing a better dissipation of heat and longer lasting performance in all terrains.

- 40mm piston
- 60mm body
- 18mm piston rod
- Twin tube construction
- Foam cell technology

Demanding Terrain



FOAMCELLPRE



Foam Cell Pro

Foam Cell Pro shock, the premium shock, built to handle anything.

Originally designed to meet the demands of the armoured vehicle industry where reliability and durability are critical.

Foam Cell Pro is the ultimate shock when the going gets tough. Thicker and stronger than any other shock on the market, it's well suited to trades, fleet and serious off-roaders.

- 45mm piston
- 65-72mm body
- 20mm piston rod
- 3mm wall thickness
- Twin tube construction
- Foam cell technology

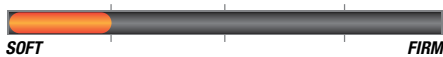
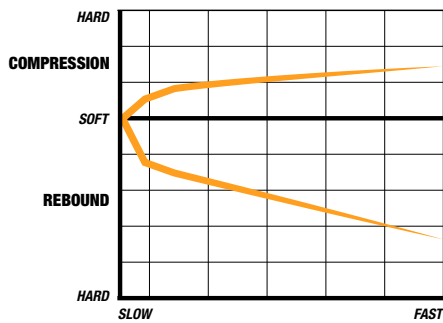
Understanding Valving

STEP THREE RIDE STYLE?

Your preferred ride style is important to know when selecting the level of valving resistance in your shock absorbers. IRONMAN 4X4 shock absorbers adapt to the velocity of the compression and rebound stroke which provides the right amount of control to suit your driving style.

Comfort Valving

GRC FEC FEC^{PRO}

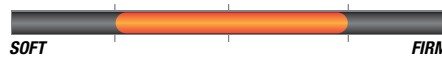
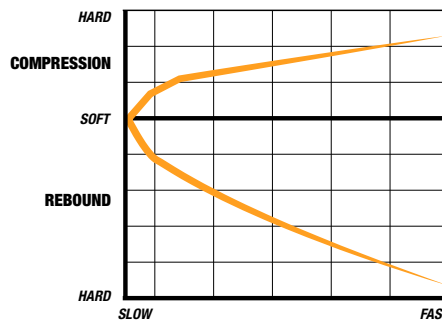


Soft Ride - Lightly Accessorised

The comfort range delivers smooth handling and less harshness for everyday use. Best suited to lighter vehicles without load, the shocks prioritise a soft comfortable ride, above all else.

Performance Valving

GR FE FE^{PRO}

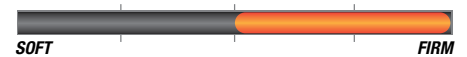
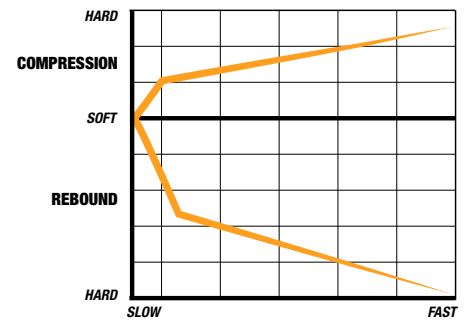


Versatile Ride - Moderately Accessorised

The performance range adapts to a wide range of driving styles. Best suited to moderately loaded vehicles with some accessories, the shocks provide a balanced comfortable ride with more control.

Professional Valving

GRP FEP FEP^{PRO}



Strong Controlled Ride - Heavily Accessorised

The professional range controls body roll and reduces pitching while driving over all terrains. Best suited to heavily loaded vehicles with a higher centre of gravity, the shocks focus on maximising control and stability.



Understanding GVM Upgrades

GVM UPGRADE REQUIRED?

If loads exceed the axle limits or gross vehicle mass (GVM) stated by the original vehicle manufacturer, a certified increase in GVM will be required.

IRONMAN 4X4 design and manufacture a range of approved GVM upgrades for a selection of vehicles, which comply with federal and state regulations (Australia and NZ Only). See pages 373 -386 of this catalogue.

Comprehensive testing is conducted by IRONMAN 4X4 and independent engineers to ensure maximum safety, performance and ADR compliance at the increased load carrying capacity.

IRONMAN 4X4 has obtained Second Stage Manufacturer (SSM) status through the Department of Infrastructure Regional Development and Cities in Canberra. GVM Upgrades are available through selected IRONMAN 4X4 Australian and NZ distributors only.

ADDITIONAL LOAD

Use the below guide to estimate the additional load in the vehicle. Calculate the load separated over each axle to determine the nearest spring selection based on the recommendations given within the vehicle application pages. Please Note: Weights quoted below are supplied as an approximate guide only.

Bull Bar Aluminium	+40kg	Fuel Tank Extended Capacity	+90kg
Bull Bar Steel	+60kg	Roof Rack Steel 2200mm Tent Rack	+45kg
Winch With Synthetic Rope	+25kg	Rooftop Tent Including bedding	+65kg
Winch With Steel Cable	+45kg	Water Tank 100 Litres	+100kg
Spare Wheel Additional	+50kg	Tray -100kg Aluminium	
Rear Bar Steel	+65kg	Tray Steel	+400kg
Canopy ABS Plastic	+80kg	Tool Box Average	+100kg
Drawer System 1300mm Twin Drawers	+90kg	Passenger Average	+80kg
Battery Additional	+25kg	Luggage	+100-300kg
Fridge 50 Litre	+30kg	Towing	+100-300kg
		Large Overhang	+30%

Vehicles with large rear overhang such as tray or service bodies may amplify loads by approximately 30%.

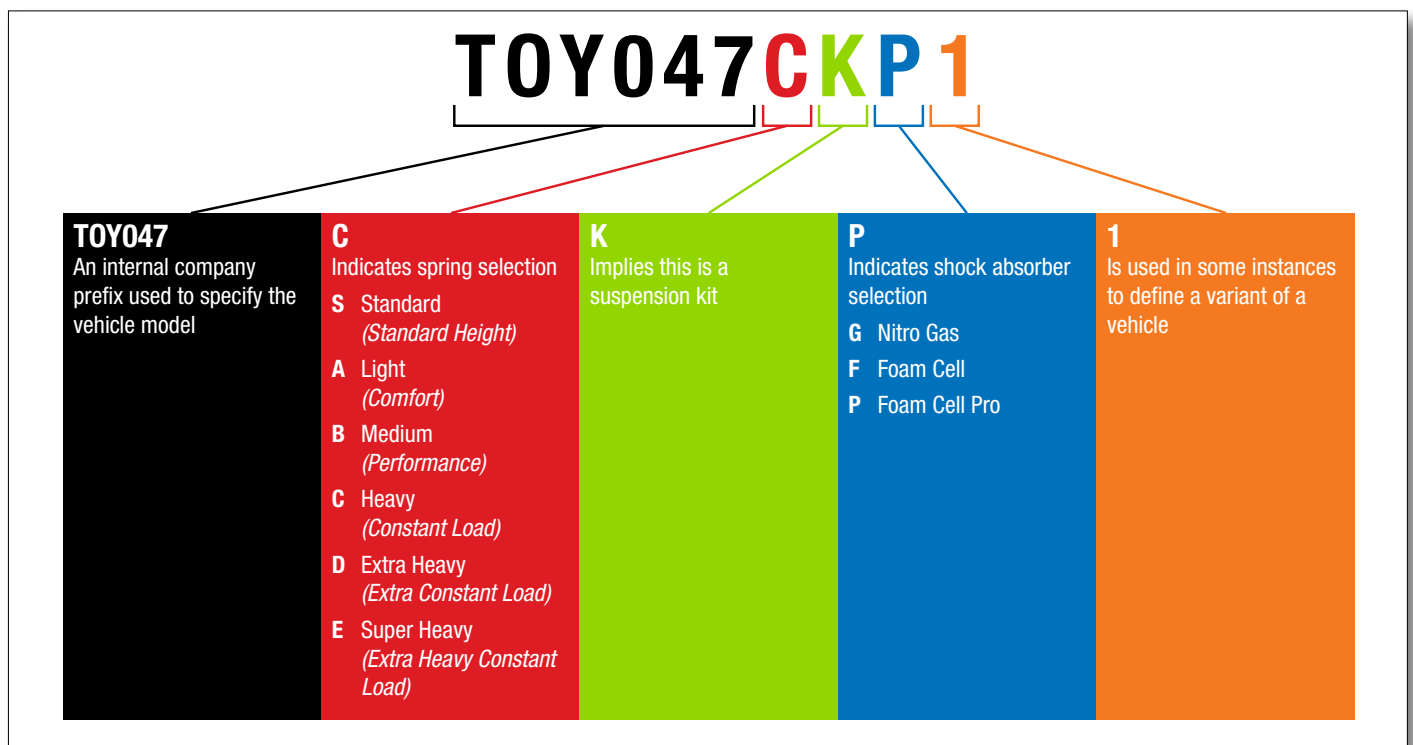
Suspension Kits and Correct Selection

IRONMAN 4X4 suspension kits are a simplified way to select the appropriate components for a vehicle. Many vehicles have different suspension requirements according to added load, terrain and driver preferences.

To establish the correct suspension kit, we ask the following questions:

- 1) What is the primary usage of the vehicle?
- 2) What accessories are on the vehicle?
- 3) What additional loads are within the vehicle and how often are the loads present?
- 4) What is the primary driving terrain?

The IRONMAN 4X4 suspension kit part numbering system is designed to be read as follows:



Generally, as no two vehicles are alike, customising a suspension kit is recommended and can be discussed with the IRONMAN 4X4 team.

For example, a vehicle with heavy load over the rear axle only, does not require constant load front springs, in this case a lighter front spring and heavier rear spring is the best choice.



Application Guide - Shock Absorbers To Suit

To Suit Make	To Suit Model	Year	Nitro Gas		Foam Cell		Foam Cell Pro	
			Front	Rear	Front	Rear	Front	Rear
TO SUIT FIAT	Fullback	2016+	12715GR	12729GR /C /P	24715FE	24729FE /C /P		
TO SUIT FORD	Courier / Ranger	1985 - 2011	12667GR	12095GR /C	24667FE	24095FE /C /P	45667FE	45095FE /C /P
	Everest UA	2015 - 6/2018	12727GR	12732GR	24727FE	24732FE	45727FE	45732FE
	Everest UA II	7/2018+	12827GR	12732GR	24827FE	24732FE	45827FE	45732FE
	Ranger T6 PX / PXII	2011 - 6/2018	12727GR	12095GR /C	24727FE	24095FE /C /P	45727FE	45095FE /C /P
	Ranger PXIII (Not US Model)	7/2018+	12827GR	12095GR /C	24827FE	24095FE /C /P	45827FE	45095FE /C /P
TO SUIT GMC	Suburban, Tahoe, Sierra, Yukon, Avalanche, Silverado	2007 - 2013	12807GR	12808GR				
	Suburban, Escalade, Tahoe, Sierra, Yukon, Silverado	2014 - 2016	12809GR	12810GR				
TO SUIT GREAT WALL	Cannon	9/2020+	12853GR	12095GR /C	24853FE	24095FE /C /P	45853FE	45095FE /C /P
TO SUIT HAVAL	H9 Wagon	8/2017+	12710GR	12804GR	24710FE	24804FE		
TO SUIT HOLDEN / GM	Frontera	1995 - 1/1999	12667GR	12644GR	24667FE	24644FE		
	Rodeo KB - TF	1983 - 1988	12087GR	12636GR /C /P	24087FE	24636FE /C /P		
	Rodeo KB - TFS	1988 - 3/2003	12643GR	12636GR /C /P		24636FE /C /P		
	Rodeo / Colorado / RA / RA7 / RC	2003 - 2012	12667GR	12636GR /C /P	24667FE	24636FE /C /P		
	Colorado	2012 - 2020	12745GR	12636GR /C /P	24745FE	24636FE /C /P	45745FE	45636FE /C /P
	Colorado 7 / Trailblazer	2012+	12745GR	12746GR /C	24745FE	24746GR /C	45745FE	45746FE /C
	Jackaroo	Pre 1986	12087GR	12636GR /C	24087FE	24636FE /C		
	Jackaroo	11/1986 - 1991	12087GR	12671GR	24087FE			
	Jackaroo / Bighorn / Monterey	1992+	12643GR	12644GR	24643FE	24644FE		
TO SUIT HYUNDAI	Terracan	2001+	12087GR	12637GR /C	24087FE			
TO SUIT ISUZU	D-Max	2003 - 2012	12667GR	12636GR /C /P	24667FE	24636FE /C /P		
	D-Max Low Ride 2WD	2012+	12797GR	12636GR /C /P		24636FE /C /P		
	D-Max	6/2012 - 7/2019	12745GR	12636GR /C /P	24745FE	24636FE /C /P	45745FE	45636FE /C /P
	D-Max	8/2019+	12845GR	12698GR /C /P	24845FE	24698FE /C /P	45845FE	45698FE /C /P
	MU-X	2013 - 7/2021	12745GR	12746GR /C	24745FE	24746GR /C	45745FE	45746FE /C
	MU-X	8/2021+	12845GR	12746GR /C	24845FE	24746GR /C	45845FE	45746FE /C
	Trooper	Pre 1986	12087GR	12636GR /C	24087FE	24636FE /C		
	Trooper	11/1986 - 1991	12087GR	12671GR	24087FE			
	Monterey	1992+	12643GR	12644GR	24643FE	24644FE		
TO SUIT JEEP	Cherokee XJ	1984+	12665GR	12666GR	24665FE	24666FE		
	Cherokee Liberty KJ / KK	2001 - 2012	12711GR	12712GR				
	Gladiator	5/2020+	12851GR /C				45851FE /C	45854FE /C
	Grand Cherokee ZJ / ZG	1993 - 1998	12665GR	12670GR	24665FE			
	Grand Cherokee WJ / WG	1999 - 6/2005	12774GR	12775GR				
	Grand Cherokee WK2	2011-2016	12735GR					
	Grand Cherokee WK2	2016+	12738GR LH 12738GR RH					
	Wrangler TJ	1996 - 2/2007	12665GR	12669GR	24665FE			
	Wrangler JK	2006+	12751GR	12752GR			45751FE	45752FE
	Wrangler JK 4" Lift	2006+	12751LGR	12752LGR			45751LFE	45752LFE
	Wrangler JL	2018+	12851GR /C	12852GR /C			45851FE /C	45852FE /C

/C = Comfort option available. /P = Professional option available. ¹ Bundera / Wrangler LHS ² Bundera / Wrangler RHS ³ 45780FE, Must use Ironman coil springs TOY063

Application Guide - Shock Absorbers To Suit

To Suit Make	To Suit Model	Year	Nitro Gas		Foam Cell		Foam Cell Pro	
			Front	Rear	Front	Rear	Front	Rear
TO SUIT JMC	Vigus	2014+	12710GR	12650GR /C	24710FE	24650FE /C /P	45710FE	45650FE /C /P
TO SUIT LAND ROVER	Defender 90 / 110 / 130 Series		12080GR	12640GR	24080FE	24640FE	45080FE	45640FE
	Range Rover (Coil Springs)	1971 - 1995	12080GR	12640GR	24080FE	24640FE	45080FE	45640FE
	Discovery Series 1	1989 - 1998	12080GR	12640GR	24080FE	24640FE	45080FE	45640FE
	Discovery Series 2 (Coil Springs)	1999 - 2005	12776GR	12777GR	24776FE	24777FE		
TO SUIT LDV	T60	2017+	12745GR	12636GR /C /P	24745FE	24636FE /C /P	45745FE	45636FE /C /P
TO SUIT MAHINDRA	Scorpio Getaway Pik-Up / Wagon	2002 - 2012	12087GR	12749GR				
	Scorpio Getaway Pik-Up	2012 +	12087GR	12731GR				
TO SUIT MAZDA	B Series Bravo / BT50	1987 - 2011	12667GR	12095GR /C	24667FE	24095FE /C /P	45667FE	45095FE /C /P
	BT50	2011 - 5/2020	12727GR	12095GR /C	24727FE	24095FE /C /P	45727FE	45095FE /C /P
	BT50	6/2020+	12845GR	12698GR /C /P	24845FE	24698FE /C /P	45845FE	45698FE /C /P
TO SUIT MERCEDES-BENZ	G-Wagen W460, W461, W463	1979+	12811GR	12812GR	24811FE	24812FE		
	G-Wagen G55 AMG				24788FE	24789FE		
	Unimog (6 Bolt Axle)						45803FE	45803FE
	Unimog (10 Bolt Axle)						45802FE	45802FE
	X-Class	2017 - 5/2020	12716GR	12728GR	24716FE	24728FE /P	45716FE	45728FE /C /P
TO SUIT MITSUBISHI	Triton / L200	Pre 1993	12082GR	12636GR /C /P	24082FE	24636FE /C /P		
	Triton ME-MJ / L200	1993 - 1996	12082GR	12636GR /C /P	24082FE	24636FE /C /P		
	Triton MK / L200	1996 - 2006	12087GR	12698GR /C /P	24087FE	24698FE /C /P		
	Triton ML-MN / L200	2006 - 2015	12715GR	12636GR /C /P	24715FE	24636FE /C /P		
	Triton MQ-MR / L200	2015 - 10/2018	12715GR	12729GR /C /P	24715FE	24729FE /C /P		
	Pajero / Montero NA-NG (Leaf)	Pre 1991	12082GR	12636GR /C /P	24082FE	24636FE /C /P		
	Pajero / Montero NA-NG (Coil)	1988 - 1991	12082GR	12645GR /C	24082FE	24645FE /C		
	Pajero / Montero NH-NL (Leaf)	1991 - 1999	12087GR	12636GR /C /P	24087FE	24636FE /C /P		
	Pajero / Montero NH-NL (Coil)	6/1991 - 2000	12087GR	12646GR	24087FE	24646FE		
	Pajero / Montero NM-NX	2000+	12713GR	12714GR	24713FE			
	Challenger / Montero Sport PA (Leaf)	1998 - 2006	12087GR	12636GR /C /P	24087FE	24636FE /C /P		
	Challenger / Montero Sport PA (Coil)	1998 - 2008	12087GR	12645GR /C	24087FE	24645FE /C		
	Challenger / Pajero Sport / Montero Sport / Dakar PB	2009 - 2015	12715GR	12645GRS	24715FE	24645FES		
	Pajero Sport	2015+	12715GR	12645GRS	24715FE	24645FES	45715FE	
	Delica L400 Without ECS	1994+	12667GR	12698GR	24667FE			
	Delica L400 With ECS	1994+	12667GR	12671GR	24667FE			
TO SUIT NISSAN	Patrol MQ / MK G160	Pre 1988	12075GR	12076GR				
	Patrol GQ / GU SWB & LWB Wagon	1988 - 1998	12091GR	12094GR	24091FE	24094FE /P	45091FE /P	45094FE /P
	Patrol GQ / GU SWB & LWB Wagon 4" Lift				24091LFE	24094LFE /P	45091LFE /P	45094LFE /P
	Patrol GQ / GU SWB & LWB Wagon 6" Lift				24091LFE1	24094LFE1	45091LFE1	45094LFE1
	Patrol GQ Y60 Cab Chassis (Leaf)		12661GR	12648GR	24661FE	24648FE	45661FE	45648FE
	Patrol GU Y61 Cab Chassis (Leaf)		12091GR	12648GR	24091FE	24648FE	45091FE /P	45648FE
	Patrol GU Y61 Cab Chassis (Coil)		12091GR	12094GR	24091FE	24094FE /P	45091FE /P	45094FE /P
	Patrol GU Y61 Cab Chassis (Coil) 4" Lift				24091LFE	24094LFE /P	45091LFE /P	45094LFE /P

/C = Comfort option available. /P = Professional option available. ¹ Bundera / Wrangler LHS ² Bundera / Wrangler RHS ³ 45780FE, Must use Ironman coil springs TOY063

Application Guide - Shock Absorbers To Suit

To Suit Make	To Suit Model	Year	Nitro Gas		Foam Cell		Foam Cell Pro	
			Front	Rear	Front	Rear	Front	Rear
TO SUIT NISSAN	Patrol GU Y61 Cab Chassis (Coil) 6" Lift				24091LFE1	24094LFE1	45091LFE1	45094LFE1
	Patrol Y62	2009+	12740GR	12742GR	24740FE	24742FE	45740FE	45742FE
	Pathfinder / Terrano / II / R20 / WD21	Pre 1995	12667GR	12636GR /C /P	24667FE	24636FE /C /P		
	Pathfinder R51	7/2005+	12716GR	12718GR	24716FE	24718FE		
	Navara D21	1985 - 1996	12087GR	12636GR /C /P	24087FE	24636FE /C /P		
	Navara D22 / NP300 (Torsion Bar)	1997+	12791GR	12636GR /C /P				
	Navara D40 / Xterra	2005+	12716GR	12717GR	24716FE	24717FE /P	45716FE	45717FE /P
	Navara NP300 (Leaf)	2014+	12716GR	12698GR /C	24716FE	24698FE /C /P	45716FE	45698FE /C /P
	Navara NP300 (Coil)	2015+	12716GR	12728GR	24716FE	24728FE /P	45716FE	45728FE /C /P
Paladin	Pre 2005	12791GR	12698GR /C		24698FE /C /P			
TO SUIT RAM	1500 DS	2014 - 2019					45855FE	45856FE /C
	1500 DT	6/2018+					45860FE	45862FE /C
TO SUIT RENAULT / DACIA	Duster	2010+	12747GR	12748GR				
	Alaskan	2017+	12716GR	12728GR	24716FE	24728FE /P	45716FE	45728FE /C /P
TO SUIT SSANGYONG	Musso Q200 SWB	10/2018+	12823GR	12824GR				
	Musso Q201 / Q215 LWB (Coil)	10/2018+	12823GR	12825GR				
	Musso Q201 / Q205 / Q215 LWB (Leaf)	10/2018+	12823GR	12826GR				
	Musso / Korando	1996 - 2006	12667GR	12661GRS	24667FE	24661FES		
Rexton Y400 / Y450	2018+	12823GR	12828GR					
TO SUIT SUBARU	Forester - See pages 250 / 251 for listing							
	Outback - See page 252 for listing							
	XV Crosstrek - See page 253 for listing							
TO SUIT SUZUKI	Jimmy SN413 / GJ	1998+	12759GR	12760GR				
	Sierra / Samurai LJ / SJ (Leaf)	1981+	12085GR	12086GR				
	Vitara SWB	1988+	12083GR	12089GR				
	Vitara LWB	1988+	12083GR	12658GR				
	Grand Vitara SWB	1988 - 7/2005	12083GR	12089GR				
	Grand Vitara LWB	1988 - 7/2005	12083GR	12658GR				
	Grand Vitara	8/2005 - 2015	12721GR	12722GR				
TO SUIT TOYOTA	4Runner Gen 1, N60 (Leaf)	1988 - 1997	12088GR	12650GR /C	24088FE	24650FE /C /P		
	4Runner / Surf Gen 2, N130 V6 (Coil)	1990 - 1997	12088GR	12637GR /C	24088FE	24637FE /C		
	4Runner Gen 3, N180-N185	1996 - 2002	12691GR	12661GR	24691FE	24661FE	45691FE	45661FE
	4Runner Gen 4 & 5, N210-N280	2003+	12710GR	12682GR /C /P	24710FE	24682FEC /P	45710FE	45682FEC /P
	FJ Cruiser	2006+	12710GR	12682GR /C /P	24710FE	24682FE /C /P	45710FE	45682FE /C /P
	Fortuner	2004 - 2015	12710GR	12743GR /C	24710FE	24743FE /C	45710FE	45743FE /C
	Fortuner	2015+	12730GR	12743GR /C	24730FE	24743FE /C	45730FE	45743FE /C
	Hiace Series 200	2005 - 2019	12667GR	12805GR	24667FE	24805FE		
	Hiace Series 300	2019+			24840FE	24842FE /C		
	Hilux Solid Front Axle	1979 - 10/1983	12639GR /C	12636GR /C /P	24639FE	24636FE /C /P		
Hilux Solid Front Axle	11/1983 - 11/1997	12639GR /C	12650GR /C	24639FE	24650FE /C /P			

/C = Comfort option available. /P = Professional option available. ¹ Bundera / Wrangler LHS ² Bundera / Wrangler RHS ³ 45780FE, Must use Ironman coil springs TOY063

Application Guide - Shock Absorbers To Suit

To Suit Make	To Suit Model	Year	Nitro Gas		Foam Cell		Foam Cell Pro	
			Front	Rear	Front	Rear	Front	Rear
TO SUIT TOYOTA	Hilux / Tiger / 107 / 108 / 110 / 111 / 167	1997 - 2005	12088GR	12081GR /C	24088FE	24081FE /C /P		
	Hilux Low Ride 2WD	2005+	12764GR	12650GR /C		24650FE /C /P		
	Hilux / Vigo	2005 - 2015	12710GR	12650GR /C	24710FE	24650FE /C	45710FE	45650FE /C
	Hilux / Vigo Long Travel	2005 - 2015	12710GR	12081GR /C	24710FE	24081FE /C /P	45710FE	45081FE /C /P
	Hilux / Revo	2015+	12730GR	12081GR /C	24730FE	24081FE /C /P	45730FE	45081FE /C /P
	Landcruiser 40 / 42 / 45 / 46 / 47 Series	1960 - 1980	12635GR /C	12636GR /C /P	24635FE /C	24636FE /C /P	45635FE	45636FE /C /P
	Landcruiser 60 Series	Pre 1986	12637GR /C	12636GR /C /P	24637FE /C	24636FE /C /P	45637FE /C	45636FE /C /P
	Landcruiser 60 Series	1986+	12637GR /C	12650GR /C	24637FE /C	24650FE /C /P	45637FE /C	45650FE /C /P
	Landcruiser 70 / 73 / 74 Series (Leaf/Leaf)	1984 - 1988	12637GR /C	12650GR /C	24637FE /C	24650FE /C /P	45637FE /C	45650FE /C /P
	Bundera	1984 - 1989	12091GR	12639GRS ¹ 12650GR ²	24091FE	24639FES ¹ 24650FE ²		
	Landcruiser II / Prado 70 / 73 / 78 Series	1990 - 1996	12696GR	12697GR	24696FE	24697FE		
	Landcruiser 71 Series (Coil/Leaf)	1991+	12091GR	12081GR /C	24091FE	24081FE /C /P	45091FE /P	45081FE /C /P
	Landcruiser 75 Series	1984 - 1999	12637GR /C	12081GR /C	24637FE /C	24081FE /C /P	45637FE /C	45081FE /C /P
	Landcruiser 76 / 78 / 79 / 70 & D/Cab	2007+	12091GR	12094GR /C	24091FE	24094FE /C /P	45091FE /P	45094FE /C /P
	Landcruiser 76 / 78 / 79 / 70 & D/Cab Long Travel	2007+			24091FE	24094LFE /P	45091FE /P	45094LFE /P
	Landcruiser 80 / 105 Series	1990+	12683GR	12682GR	24683FE	24682FE	45683FE	45682FE
	Landcruiser 80 / 105 Series 4" Lift	1990+			24683LFE	24682LFE	45683LFE	45682LFE
	Landcruiser 80 / 105 Series 6" Lift	1990+			24683LFE1	24682LFE1	45683LFE1	45682LFE1
	Landcruiser 100 Series IFS	1998+	12795GR	12796GR	24795FE	24796FE	45795FE	45796FE /P
	Landcruiser 200 Series	2007+	12720GR	12796GR	24720FE	24796FE	45720FE	45796FE /P
Landcruiser 300 Series	2020+			24883FE	24884FE	45883FE	45884FE /P	
Prado 90 / 95 Series	1996 - 10/2002	12691GR	12661GR	24691FE	24661FE	45691FE	45661FE	
Prado 120 Series (except Grande)	4/2003 - 10/2009	12710GR	12682GRC /P	24710FE	24682FEC /P	45710FE	45682FEC /P	
Prado 150 Series (except Kakadu)	2009-11/2017	12750GR	12682GRC /P	24750FE	24682FEC /P	45750FE	45682FEC /P	
Prado 150 Series (except Kakadu)	12/2017+	12710GR	12682GRC /P	24710FE	24682FEC /P	45710FE	45682FEC /P	
Tacoma	2005 - 2023	12710GR	12744GR	24710FE	24744FE	45710FE	45744FE	
Tundra	2006 - 2021			24780FE	24781FE	45780FE ³	45781FE	
TO SUIT TROLLER	T4	1997 - 6/2014	12765GR	12765GR				
	T4	7/2014+	12755GR	12755GR				
TO SUIT UAZ	Hunter		12652GR	12698GR	24652FE	24698FE		
	Patriot		12637GRS	12698GR	24637FES	24698FE		
TO SUIT VOLKSWAGEN	Amarok	2010+	12725GR	12726GR				

/C = Comfort option available. /P = Professional option available. ¹ Bundera / Wrangler LHS ² Bundera / Wrangler RHS ³ 45780FE, Must use Ironman coil springs TOY063

Features and Benefits

NITRO GAS SHOCK ABSORBERS

Gas Pressurised shock absorber boosts performance and adapts to a wide range of driving styles

NITROGEN GAS PRESSURISED - Low pressure nitrogen gas dramatically reduces the likelihood of oil aeration and shock fade.

35mm TEFLON BANDED PISTON - Precision shim-stack piston specifically valved by Ironman suspension engineers, banded with teflon for smooth long life operation.

54mm TWIN TUBE BODY - Increased oil volume for improved cooling and endurance, Twin tube construction protects internal components from rock damage.

16mm – 18mm HARD CHROME PISTON ROD - Hardened and polished, volumetrically balanced to piston size.

FLEXIBLE RUBBER BUSHES - Offers quieter operation and reduces damaging side loads from shock absorber.

TRIPLE-LIP HIGH PRESSURE NOK SEAL - Maximum gas and oil retention ability to withstand high displacement offroad use.

SUPPLEMENTARY WELDED MOUNTS - Fusion welded and supplementary welded for maximum strength and reliability.

SINGLE PIECE BILLET EYE RINGS AND STEMS - Ultra robust design prevents breakage or bending of mounts.

VEHICLE SPECIFIC VALVING - Every part number is specially valved for each vehicle application, this ensures the best possible ride and handling as intended by Ironman suspension engineers.

LONG TRAVEL - Suitable for standard and raised height vehicles, additional length increases wheel articulation.

IMPACT RESISTANT STONE SHIELD - Steel or Polyethylene dust shield protects piston rod from impacts and road debris.



SUPPLEMENTARY WELDED MOUNTS - Fusion welded then supplementary welded for higher strength and reliability.

360° WELDED MOUNTS - Fusion welded then fully welded around mounting for maximum strength and reliability.

SINGLE PIECE BILLET EYE RINGS AND STEMS - Ultra robust design prevents breakage or bending of mounts.

VEHICLE SPECIFIC VALVING - Every part number is specially valved for each vehicle application, this ensures the best possible ride and handling as intended by Ironman suspension engineers.

LONG TRAVEL - Suitable for standard and raised height vehicles, additional length increases wheel articulation.

IMPACT RESISTANT STONE SHIELD - Steel or Polyethylene dust shield protects piston rod from impacts and road debris.

COIL SPRINGS

Available in a wide range of load ratings to maintain optimum ride height

COLD COILED - CNC cold coiling ensures perfect consistency and accuracy, less heat during manufacture maintains material properties resulting in longer life.

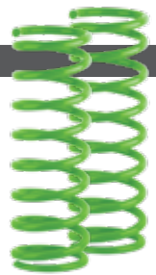
BAR PEELED - Bar peeling is the process of forming the material to an exact size before coiling, this ensures the diameter remains constant and free of flaws along its entire length.

SHOT PEENED - Manipulates material surface tension to reduce stress, greatly enhances spring life.

TRIPLE SCRAGGED - Each coil is fully compressed to a solid state 3 times to minimise coil settling.

PROGRESSIVE AND LINEAR RATE - Used in accordance to original vehicle manufacturers preference, progressive springs increase rate as the spring compresses, linear springs maintain a consistent rate throughout its range.

POWDERCOATED - All springs are electro-static powdercoated for a durable finish.



FOAM CELL SHOCK ABSORBERS

Premium shock absorber for superior endurance in all conditions

FOAM CELL TECHNOLOGY - Micro-Cellular closed cell foam insert maximises cooling efficiency by occupying less internal space than gas within a pressurised shock absorber. Greater oil capacity and more surface area maintains lower operating temperatures.

40-45mm TEFLON BANDED PISTON - Precision shim-stack piston specifically valved by Ironman suspension engineers, banded with teflon for smooth long life operation.

60-72mm TWIN TUBE BODY - 50%-100% more oil volume than a gas shock absorber for superior cooling and endurance. Twin tube construction protects internal components from rock damage.

18-20mm HARD CHROME PISTON ROD - Hardened and polished, volumetrically balanced to piston size.

FLEXIBLE RUBBER BUSHES - Offers quieter operation and reduces damaging side loads from shock absorber.

TRIPLE-LIP HIGH PRESSURE NOK SEAL - Maximum oil retention ability to withstand high displacement offroad use.



LEAF SPRINGS

Available in a wide range of load ratings to maintain optimum ride height

INTER LEAF LINERS - Used in some applications to lower friction between leaves reducing noise and improving - Comfort.

LINED BOLT CLAMPS - All Ironman springs feature bolted guide clamps for greater flex, the addition of anti-friction liners ensures noise free smooth operation.

SHOT PEENED - Manipulates tension side of material to reduce stress, greatly enhances spring life.

DIAMOND CUT LEAVES - Distributes load at the leaf tip and reduces interleaf friction.

MILITARY WRAP - Where applicable, an additional wrap around the leaf eye protects from failure in case of damage.



Features and Benefits

TORSION BARS

Higher spring rate to support extra weight from additional vehicle accessories

UP-SET FORGED ENDS - Stronger than machining alone, forging manipulates steel grain for superior strength and durability.

PREMIUM MICRO-ALLOY STEEL - Exceeds OEM steel grade for ultra long life and less sag.

INCREASED BAR DIAMETER - Higher spring rate better supports added accessories and balances front and rear suspension performance.

X-RAY EXAMINED - Each and every Ironman Torsion Bar is X-Ray tested to eliminate risk of breakage due to material flaw.

DIRECTIONAL PRE-SETTING - Torsion Bars are rotationally pre-set in their direction of installation to reduce spring settling. Each bar is marked for left or right fitment.

POLYURETHANE BUSHES

Provide precise spring location and enables lubrication to increase suspension flex and - Comfort

INJECTION MOULDED POLYURETHANE - High density injection moulded polyurethane material ensures precise location and a durable bearing surface for your leaf springs, making them very durable in hot temperatures whilst providing a soft - Comfortable vehicle ride.

GREASABLE - Polyurethane bushes are greasable to aid in longer life and ensure smooth ride and quiet operation.

SPIRAL BORE AND FLANGES - To distribute lubricating grease evenly throughout the bushing surface when combined with greasable shackles and pins.

SPLINES - Allows the bush to conform to irregularities and grip to the eye surface.



GREASABLE SHACKLES AND PINS

Enables easy re-greasing of polyurethane spring bushes

QUAD-OUTLET GREASABLE - Greasable shackles provide an easy method of re-lubricating polyurethane bushes. Chamfered Quad-Outlet ports distribute grease liberally along the bush surface.

SERVICEABLE - All Ironman shackles and pins feature a serviceable bolt together construction.

ANTI-INVERSION SHACKLE - On selected models, a third pin is positioned on the shackle to protect the spring in the case of inversion.



CASTER CORRECTION PLATES

Used to correct caster angle after raising suspension beyond 100mm (4")

PRE-CONFIGURED CASTER CORRECTION - Fixed 5 degree offset models suit 100mm (4") to 150mm (6") lifted suspension.



STEERING DAMPER

Reduce unwanted vibration and feedback through steering system in rough conditions

FOAM CELL TECHNOLOGY - Micro-Cellular closed cell foam insert allows for the horizontal mounting orientation required by a steering damper.

35mm TEFLON BANDED PISTON - Precision shim-stack piston specifically valved by Ironman suspension engineers, banded with Teflon for smooth long life operation.

54mm TWIN TUBE BODY - Increased oil volume improves cooling and endurance, twin tube construction protects internal components from impact damage.

SUPPLEMENTARY WELDED MOUNTS - Fusion welded and supplementary welded for maximum strength and reliability.

SINGLE PIECE BILLET EYE RINGS AND STEMS - Ultra robust design prevents breakage or bending of mounts.

VEHICLE SPECIFIC VALVING - Every part number is specially valved for each vehicle application, this ensures the steering operation is smooth and unhindered by the effects of rough road driving.



CASTER CORRECTION BUSHES

Available in adjustable or fixed offset designs, used to correct caster angle after raising suspension under 100mm (4")

PRE-CONFIGURED CASTER CORRECTION - Fixed 2 degree offset models suit 50mm (2") lifted suspension.

ADJUSTABLE CASTER CORRECTION - Adjustable offset suit a wide range of lift heights up to 100mm (4")

HIGH DENSITY MATERIALS - Vehicle specific rubber or polyurethane material.



ADJUSTABLE PANHARD RODS

Used to correct axle shift after raising suspension. Adjustable as required to re-centralise axle to vehicle

COMPETITION SPEC - 32mm solid rod used throughout.

FINE THREAD ADJUSTMENT - M32 x 2mm thread ensures precision adjustment for greater accuracy.

OEM STYLE RUBBER BUSHES - Maximum flex and durability. Replaceable OEM style bushes.



EXTENDED SWAY BAR LINKS

Recalibrates sway bar index after raising suspension.

VEHICLE SPECIFIC BOLT ON DESIGN - Easy fitment, utilises OEM mounting locations.

ADJUSTABLE LENGTH - Adjustable extension where possible depending on vehicle model.

PRACTICAL DESIGN - Strongest construction up-spec materials to avoid bending and breaking. Rubber bushes and aircraft grade spherical bearings used where possible depending on vehicle model.



Features and Benefits

POLYURETHANE COIL SPRINGS SPACERS / TRIM PACKERS



Available individually to adjust “side to side” or “front to back” vehicle lean due to uneven load placement

INJECTION MOULDED POLYURETHANE - High density injection moulded polyurethane material ensures precise location and a durable seat with the spring.

PRE-CONFIGURED THICKNESSES - Varied thicknesses allow correct selection according to the amount of lean. Provides 1:1 ratio suspension lift on solid axle vehicles.

SELF LOCATING DESIGN - Raised profile locating flanges prevent packer from becoming dislodged or falling out.

STRUT TRIM PACKERS



For use only with **IRONMAN 4X4 struts**, available individually to adjust “side to side” or “front to back” vehicle lean due to uneven load placement.

PRECISE RIDE HEIGHT TUNING - Basic steel collar design fits over **IRONMAN 4X4 struts** to adjust spring seat height.

PRE-CONFIGURED THICKNESSES - Varied thicknesses allow correct selection according to the amount of adjustment required. Usually provides 1:2 ratio suspension lift on independent suspension vehicles.

EXTENDED BRAKE HOSES



Longer brake hose used with suspension lifts over 100mm (4”).

DOT SAE J1401 STANDARDS APPROVED CONSTRUCTION - OEM style reinforced rubber hose for safety.

EXTENDED LENGTH - Extended length allows for greater suspension travel.

ADJUSTABLE TRAILING ARMS



Used to correct rear axle tilt and location after raising suspension.

COMPETITION SPEC - 32mm solid rod used throughout.

FINE THREAD ON-VEHICLE ADJUSTMENT - M32 x 2mm thread ensures precision adjustment for greater accuracy.

OEM STYLE RUBBER BUSHES - Maximum flex and durability. Replaceable OEM compatible bushes.

CASTER WEDGES



Adjusts the caster angle within solid axle vehicles, or changes pinion angle to remove unwanted driveline vibration.

SUITS - 60-70mm wide leaf springs. Breakaway side section can be removed for narrower springs.

AVAILABLE IN - 1, 2, 3 and 4 degree increments.

SWAY BARS



Enhanced performance direct replacement sway bars featuring maximum bar diameter with factory compatible fitment.

SHORE A 70 DURO NR - Bushes maximum flex and durability.

ADJUSTABLE STEERING RODS



Adjustable length rod to centralise steering wheel after suspension lift.

ADJUSTABLE LENGTH - Compatible with all suspension ride heights.

STRONGER CONSTRUCTION - Reduces likelihood of failure due to impact.

BOLT ON STEERING DAMPER MOUNTS - Steering damper mounts can be positioned freely as required to suit suspension lift.

STRUT MOUNTS



Direct replacement for the OEM mounts. Facilitates the pre-assembly of complete new struts without disassembly of old unit.

FULLY OEM COMPATIBLE - Easy Installation.

SHORE A 80 DURO NR BUSHES & INSULATORS - Extended durability and precise location accuracy.

HEAVY DUTY WASHERS - Resists deformation in extreme use.

ADD-A-LEAF



Additional universal tapered leaf to upgrade existing leaf springs.

Eliminates suspension sag and supports additional load.

Improves - Comfort and handling.

Increases load carrying capability and ride height.

RUBBER BUSHES



Direct replacement for the OEM bushes, compatible with OEM and **IRONMAN 4X4 suspension arms**.

OEM STYLE RUBBER BUSHES - Easy press in replacement bushes, retains factory ride quality.

SHORE A 70 DURO NR - Maximum flex and durability.

PRO-FORGE CONTROL ARMS



Provides corrected wheel alignment and greater operating clearance, allows for the installation of larger tyres and further increases ride height.

HIGH STRENGTH FORGED ALLOY - Stronger and more durable than a cast, machined or fabricated arm.

BUSHES AND BALL JOINT - Replaceable with OEM compatible or genuine components.

Features and Benefits



SUSPENSION KITS

Fully integrated suspension kits containing all required components to achieve a safe and balanced suspension performance.

ALL LEAF SPRINGS KITS CONTAIN: Springs, Shock Absorbers, U-bolts and Bushes.

ALL COIL SPRINGS KITS CONTAIN: Springs and Shock Absorbers.

IRONMAN 4X4 also offer various optional components further enhancing suspension performance or geometry correction purposes, see vehicle listings for model specific details.

Such components include Greasable Shackles & Pins, Steering Damper, Caster Correction, Trim Packers, Suspension Arms.



LEAF / LEAF (LL) SUSPENSION KIT



STRUT / LEAF (SL) SUSPENSION KIT



COIL / COIL (CC) SUSPENSION KIT



STRUT / COIL (SC) SUSPENSION KIT



TORSION BAR / LEAF (TL) SUSPENSION KIT



TORSION BAR / COIL (TC) SUSPENSION KIT

Please note: Not all coil springs are available in green and some may be supplied in yellow. Please check before ordering.

Load Plus Helper Springs



Load Plus

Helper Spring Kit



**Without
Load Plus**



**With
Load Plus**

- ✓ **Maximise vehicle payload**
- ✓ **Reduce sway by up to 40%**
- ✓ **Improve safety and stability**
- ✓ **Reduce brake pitch by up to 20%**
- ✓ **Reduce tyre, brake and suspension wear**
- ✓ **Improve ride by up to 35%**
- ✓ **Reduce rear end sag by up to 20%**

Load Plus Helper Springs - Application Guide

TO SUIT CHRYSLER / DODGE / PLYMOUTH		Part No
B1500, B2500, B3500 - Vans	All	LP7
Caravan, T & C Van & Voyager	All	LP7 LP4
D50 & Ram 50	All	LP4
D100, D150, D200 & D250	All	LP4
Dakota	All	LP4
Durango	All	LP4
R1500 & R2500	w/ 2.5" Leaf	LP4
R1500 & R2500	w/ 3.0" Leaf	LP7
Raider	All	LP4
Ramcharger & Trailduster	All	LP4
W100, W150, W200 & W250	All	LP4
TO SUIT DAIHATSU		
Feroza F300, F310	88-99	LP1
Feroza II	All	LP4
Rocky	All	LP1
TO SUIT FIAT		
Fullback	All	LP3
TO SUIT FORD / LINCOLN / MERCURY		
Bronco	w/ 2.5" Leaf w/ 3.0" Leaf	LP4 LP7
Bronco II	w/ 2.5" Leaf w/ 3.0" Leaf	LP4 LP7
Courier / Ranger (Not USA model)	All	LP3
Econovan & Spectron	All	LP1
E Series Vans	w/ 2.5" Leaf w/ 3.0" Leaf	LP4 LP7
Excursion	All	LP7
Explorer	w/ Leaf	LP4
Falcon Sedan XR-XD	All	LP4
Falcon Panel Van XR-XH	All	LP4
Falcon Utility 1 Tonne XR - On	All	LP4
F Series	w/ 2.5" Leaf w/ 3.0" Leaf	LP4 LP7
Mountainer & Aviator	All	LP4
Ranger (USA model only)	All	LP4
* Not suitable for Falcon wagon, except dedicated LPG		
TO SUIT GENERAL MOTORS / CHEVROLET / HOLDEN		
Commodore 1 Tonne	All	LP1
Jackaroo	All	LP3
Rodeo / Colorado / D-Max*	81-03	LP3
Shuttle	All	LP3
Utility and Van HQ-WB	All	LP4
Astro & Safari Van	w/ Leaf	LP4
C, K, R & V Series 1/2 & 3/4 Ton	w/ 2.5" Leaf w/ 3.0" Leaf	LP4 LP7
Denali & Escalade	All	LP7
G Series, Express 1/2 3/4 & 1 Ton	w/ 2.5" Leaf w/ 3.0" Leaf	LP4 LP7
Savannah Vans 1/2 3/4 & 1 Ton	w/ 2.5" Leaf w/ 3.0" Leaf	LP4 LP7
LUV	All	LP3
S10 Blazer & T10	All	LP4
S15 Jimmy, T15 & Sonoma	All	LP4
Suburban 1/2 3/4 Ton	w/ 2.5" Leaf w/ 3.0" Leaf	LP4 LP7
Tahoe & Yukon	w/ 2.5" Leaf w/ 3.0" Leaf	LP4 LP7
Silverado	All	LP7
*Not suitable for Rodeo / Colorado / D-Max 2003+ Models with interleaf liners		
TO SUIT HONDA		
Passport	w/ Leaf	LP3
TO SUIT INTERNATIONAL		
Scout	All	LP3

TO SUIT ISUZU		
Amigo	All	LP3
Hombre	All	LP3
Pickup, P'up	All	LP3
Rodeo	w/ Leaf	LP3
Trooper II	w/ Leaf	LP3
TO SUIT JEEP		
Cherokee & Wagoneer	All	LP4
CJ5, CJ6 & CJ7	All	LP4
Comanche Pickup	All	LP4
Gladiator Pickup	All	LP4
J10 & J20 Series	All	LP4
Wrangler YJ	All	LP4
TO SUIT KIA		
Pregio	All	LP4
TO SUIT LDV		
T60	All	LP2
TO SUIT MAZDA		
Navaho	All	LP4
Pickups	All	LP3
Bravo / BT50	All	LP3
B1800 / B2000 4x2	All	LP3
B2200 / B2600 4x2 4x4	All	LP1
E1400	All	LP1
E1800	All	LP1
E2000	All	LP1
E2200	All	LP1
TO SUIT MERCEDES BENZ		
MB100	99-02	LP4
MB140	99-02	LP4
Sprinter	98 On	LP4
TO SUIT MITSUBISHI		
Pickup	All	LP4
Pajero / Montero	w/ Leaf	LP4
Triton ME-MN L200	All	LP4
Triton MQ L200	All	LP3
L200 / L300 Van	All	LP4
Starwagon / Express Van	All	LP4
TO SUIT NISSAN		
Frontier	All	LP2
X-Terra	All	LP2
Titan	All	LP2
Navara D21 D22	All	LP3
Navara D40	All	LP2
Navara NP300 (leaf)	All	LP2
Urvan	All	LP3
Patrol GQ / GU Cab / Chassis	All	LP4
Patrol MQ / MK, G160, Y260	All	LP3
TO SUIT SUZUKI		
Sierra / Samurai	All	LP5
TO SUIT TOYOTA		
To Suit Pickups	All	LP2
To Suit T100	All	LP4
To Suit Tundra	All	LP3
To Suit Hiace	All	LP3
To Suit Hilux / 4Runner	All	LP2
To Suit Landcruiser FJ40 / BJ40-42	60-84	LP4
To Suit Landcruiser FJ / HJ60 / 61 / 62	80-90	LP4
To Suit Landcruiser HJ / HZJ 75*	84-99	LP4
To Suit Landcruiser HZJ 78 / 79*	All	LP9
To Suit Landcruiser 76*	All	LP4
To Suit Tacoma	All	LP2
To Suit Townace	All	LP1
* Suits Landcruiser drum brake rear models only		
TO SUIT VOLKSWAGEN		
Amarok	All	LP4



DRIVE LIKE A PRO

Suspension kits built for
Comfort - Performance - Constant Load




FOAMCELL^{PRO}
Suspension Kit

The ultimate upgrade with the most
robust design suitable for all conditions

Colours and styles may vary between models. Prices do not include freight or fitting and are subject to change without notice.



A close-up photograph of a vehicle's rear suspension system and a large, treaded tire. The suspension components, including a shock absorber and coil springs, are visible. The shock absorber has the 'IRONMAN' logo on it. The tire is mounted on a metal rim and is positioned on a dirt surface. The background is a blurred natural setting with green foliage.

SUSPENSION SPECIFICATIONS

Effective 1 June 2024

{ IRONMAN }
4X4

Recommended Installation Times

Average installation times are based on one experienced fitter with all the necessary tools and equipment

SUSPENSION KITS

COIL SPRINGS Front	LEAF SPRINGS Rear	3 Hours
STRUT Front	COIL SPRINGS Rear	3 Hours
STRUT Front	LEAF SPRINGS Rear	4 Hours
TORSION BAR Front	COIL SPRINGS Rear	3 Hours
TORSION BAR Front	LEAF SPRINGS Rear	4 Hours
COIL SPRINGS Front and Rear		2 Hours

LEAF SPRINGS Front and Rear	5 Hours
STRUT Front and Rear	4 Hours
LAND ROVER MODELS	3 Hours
VOLKSWAGEN AMAROK	5 Hours
MITSUBISHI PAJERO 2000 +	4 Hours
MITSUBISHI TRITON 2005 +	5 Hours

SUSPENSION COMPONENTS

COIL SPRINGS Pair	1 Hour
COIL SPRINGS Pair Independent Suspension	2 Hours
COIL SPRINGS Pair with Existing Airbags	2 Hours
LEAF SPRINGS Pair	2 Hours
LEAF SPRINGS Pair with Existing Airbags	2.5 Hours

TORSION BARS Pair	2 Hours
STRUT SHOCK ABSORBERS Pair	2 Hours
SHOCK ABSORBERS Pair	1 Hour
STEERING DAMPER	0.5 Hour
CASTER CORRECTION BUSHES	2 Hours

All times to be used as a guide only, times may vary depending on experience and equipment. Pre existing modifications or accessories may also increase installation times. Always allow extra time for unforeseen issues or rusted components. Always use IRONMAN 4X4 Suspension Installation Form to record ride height before and after, vehicle and owner details.

WHEEL ALIGNMENT

SOLID AXLE Wheel Alignment	0.5 Hour
--------------------------------------	-----------------

INDEPENDENT SUSPENSION Wheel Alignment	1 Hour
--	---------------

IRONMAN 4X4 recommend a wheel alignment be performed after installation or within 1 week, always ensure suspension is fully settled before wheel alignment.

As a minimum, toe settings will require adjustment after raising suspension. Camber and Caster settings are an important aspect and should be maintained close to manufacturers specifications.

Consideration to road crown should be given.

It is advisable to induce slightly more (positive caster) and (negative camber) on the kerb side wheel to help maintain directional stability.

As a general rule of thumb it is recommended to adjust as follows: (Unless tyre wear dictates otherwise).

Independent Front Suspension vehicles will generally result in increased toe-in when raised.

Total Toe: +1mm to -1mm.

Solid Front Axle vehicles generally only allow toe adjustment.

Total Toe +1mm to -1mm

4 Wheel Independent Suspension vehicles will require a 4 wheel alignment to ensure front and rear wheels are true to the geometric centreline of the vehicle.

Rear Total Toe: +1mm to +3.5mm (Do not set with Toe Out)

Front Total Toe: +1 to -1mm

Optimal wheel alignment settings can vary between vehicles, the above is to be used as a guide only, different ride heights may require different settings. Always monitor tyre wear and pressures and adjust accordingly.

Installation Form



SUSPENSION INSTALLATION FORM IRONMAN 4X4

Please copy and complete this form at the time of installation.
Keep in a safe place for future reference.

Always ensure you have all the correct parts before beginning installation.

Installing suspension often requires special tools and expert knowledge. All fitment should be performed by a qualified and experienced fitter.
Always tighten bushed components after the vehicle is let down onto the ground at normal ride height, otherwise damage from torsional stresses can occur.
Ironman 4x4 recommends a wheel alignment after fitment of new suspension, consideration to natural spring settling should be taken into account before alignment is done.
Always adhere to vehicle manufacturers torque specification when tightening fasteners.
Always grease polyurethane bushes prior to fitment, Ironman 4x4 recommends a molybdenum based grease or grease specified for polyurethane.

If necessary, brake proportioning valve should only be adjusted and tested by a qualified brake specialist.
Further ADAS safety systems may need to be recalibrated by a qualified service technician.

YOUR DETAILS

Name: _____ Phone: _____
Email: _____ Invoice: _____

VEHICLE DETAILS

Make: _____ Model: _____ VIN / Reg No: _____
Odometer: _____ Engine Type: _____ Body Type: _____

Pre-Existing Modifications (Please Circle Items Fitted)

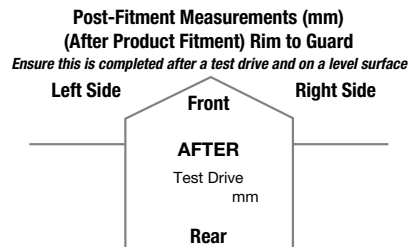
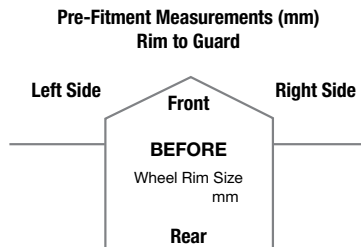
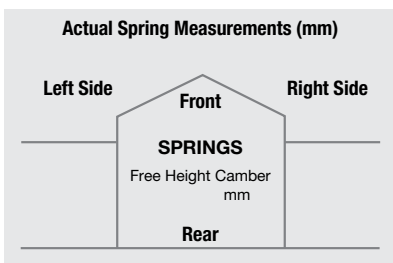
No Accessories	Recovery Points	Long Range Fuel Tank	Rear Drawers	Canopy
Bull Bar	Side Steps	Slide-Away Roll Up Tonneau	Fridge	Service Body
Winch	Side Rails	Awning	Dual Battery System	Rear Protection Bumper
Underbody Protection	Tow Bar Only	Rooftop Tent	Roof Rack	Water Tank

SUSPENSION COMPONENT DETAILS

Item	Part No.	Batch No.	Item	Part No.	Batch No.
1	_____	_____	11	_____	_____
2	_____	_____	12	_____	_____
3	_____	_____	13	_____	_____
4	_____	_____	14	_____	_____
5	_____	_____	15	_____	_____
6	_____	_____	16	_____	_____
7	_____	_____	17	_____	_____
8	_____	_____	18	_____	_____
9	_____	_____	19	_____	_____
10	_____	_____	20	_____	_____

NOTES AND COMMENTS

SUSPENSION MEASUREMENTS



POST INSTALLATION INSPECTION

All fitting, fasteners and wheels have been tensioned to the correct manufacturers specifications and marked with a paint pen where appropriate.
TICK

INSTALLERS NAME: _____ PRINT NAME

SIGNATURE: _____

DATE OF INSPECTION: _____

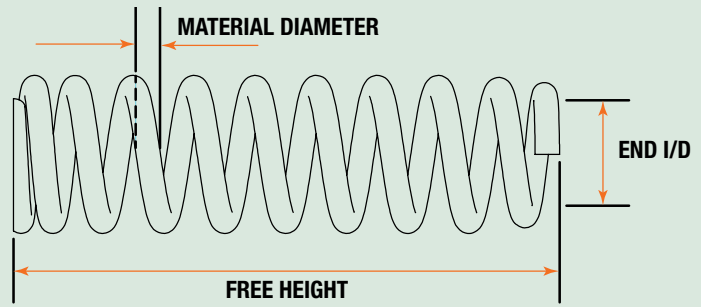
COMPLETED: PRINTED FORM COMPLETED AND UPLOADED INTO ONLINE SUSPENSION FORM

All measurements to be taken prior to installation, immediately after initial test drive and again at 500km check.
All vehicle height measurements to be taken from lower of wheel rim to guard unless otherwise stated.
Up to 10mm height reduction in springs can be considered normal settling over time.
Suspension product warranty period is 4 years or unlimited km, GVM warranty period is 2 years or 40,000km unless otherwise stated.

SIF/281122 Rev.5

Coil Springs

COIL SPRING MEASUREMENT REFERENCE



Part Number	Material	Free Height	End I/D	Spring Rate N/mm	Spring Rate lb/in
FOR001A	17	372	81	115	656
FOR001B	17.5	375	81	124	708
FOR001C	18	373	81	136	776
FOR001S	17.5	355	81	124	708
FOR003B	18	505	90/135	40-56	228-320
FOR003C	18	515/520	90/135	56	320
FOR003S	18	475	90/135	40-56	228-320
FOR005A	17.5	381	81	118	673
FOR005B	18	381	81	126	719
FOR005C	18	387	81	132	753
FOR005S	18	365	81	126	719
FOR010A	18.8	422	71/91	100	570
FOR010B	19.2	420	71/91	108	615
FOR010C	19.5	420	71/91	119	684
FOR013A	18.5	450	71/95	90	513
FOR013B	19	439	71/95	100	570
FOR013C	19.2	440	71/95	110	627
FOR015A	18.5	466	71/95	90	513
FOR015B	19	454	71/95	100	570
FOR015C	19.2	454	71/95	110	627
FOR019A	17	460	79/90	60/70	342/399
FOR019B	17	450	79/90	65/75	371/428
FOR019C	17.5	450	79/90	70/80	399/456
FOR020A	16	510	79/90	40/50	228/285
FOR020B	16.5	500	79/90	50/60	285/342
FOR020C	17	495	79/90	60/70	342/399
HOLD008B	16.4	425	104	43	246
HOLD008C	17	420	106	48	274
HOLD020A	16.5	382	66/76	100	571
HOLD020B	17	375	66/76	110	628
HOLD020C	18	370	66/76	127	725
HOLD020S	17	362	66/76	100	571
HOLD022A	15	400	66	40	228
HOLD022B	16	410	65	47	269
HOLD022C	17	415	65	58	331
HOLD022S	15	380/375	65	40	228
HOND001B	13	360/355	61/70	52	297
HOND002B	13.5	420	72/79	40	229
HYUND003B	17	407	148	33	189
IMAZ001B	16	395	102	49	280
JEEP003B	15	432/436	65/100	37	211
JEEP006B	14	380/375	62/102	32	183
JEEP007B	15	440/435	66/100	36	206
JEEP008B	16	345/335	72	35	200

Part Number	Material	Free Height	End I/D	Spring Rate N/mm	Spring Rate lb/in
JEEP012B	15	420/410	98	39	223
JEEP012C	15	440/430	98	38	217
JEEP013B	16	370/360	75	43	246
JEEP014B	16.5	375	82	78	446
JEEP014C	16.5	382	82	78	446
JEEP015B	17	323	85/115	38	217
JEEP016B	15.5	468	70/102	38	217
JEEP017B	15	460/450	73.5/103	32	183
JEEP017C	15.5	460/450	73.5/103	36	206
JEEP018A	15.5	388	52/103	40	229
JEEP018B	16	388	52/103	45	257
JEEP019B	15	500	73/103	32	183
JEEP020B	16	417	56/103	43	246
JEEP021EA	17	420	58.5/95	61	349
JEEP025B	15.5	448	65/88	57	326
JEEP025C	15.5	463	65/88	57	326
JEEP026B	20	368	55/90	114	650
JEEP026C	21	365	55/90	154	879
JEEP029A	14	443	74/102	27	154
JEEP029B	14	455/450	74/102	27	154
JEEP029C	14	475/480	74/102	27	154
JEEP030A	15	388/393	71/78	28	160
JEEP030C	16	415/420	71/78	36	206
JEEP031B	15	505	74/102	27	154
JEEP032B	16	520	65/130	29	166
JEEP032C	17	525	65/130	36	206
JEEP032D	19	520	65/130	44	251
JEP030B	16	395/400	71/78	31	177
KIA007B	16	387	79/129	35	201
LADA001B	16	285	92	89	509
LADA002B	14	435	100	32	183
LAND005B	17	400	118	41.1	535
LAND006B	20	405	134	81	462
LAND006C	21	440	134	81.9	468
LAND007B	16	390/382	118	41	234
LAND008B	17	440	134	36.6	209
LAND009B	16	405/395	117	36	206
LAND011B	17	425/420	117	46-53	262-302
LAND011C	18	425/420	118	56-64	319-365
LAND014B	15	410/390	117	30	171
LAND019B	17	415	90	83	474
LAND019C	17	427	90	83	474
LAND020B	21	402	80/100	82	469
LAND020C	21	415	80/100	88	503

Coil Springs

Part Number	Material	Free Height	End I/D	Spring Rate N/mm	Spring Rate lb/in
MAH003B	15	405	97	46	263
MERC015B	14.5	495/485	110	28	160
MERC016B	18	445/433	140	28-44	159-251
MERC020B	15	498	111	30.2	172
MERC021B	12, 15, 16 & 18	470	140	20-40	114-228
MITSO20B	17	405/400	145	34	194
MITSO20C	18	420	148	39	223
MITSO22B	16	410/400	145	27	154
MITSO25B	17	390	124	45	257
MITSO34B	16	367	140	35	200
MITSO35B	14	315/305	120	40	229
MITSO38B	19	323	72/93	141	806
MITSO38C	19	336	72/93	141	806
MITSO39A	21	330/320	113	136	777
MITSO39B	21	350/340	113	136-166	777-948
MITSO39C	22	335	113.5	162-196	925-1119
MITSO40A	17	325	64/93	105	600
MITSO40B	18	325	64/92	110	628
MITSO40C	18	330	64/92	110	628
MITSO40S	18	310	64/93	118	674
MITSO42A	17	380	145	32	183
MITSO42B	17	403	145	32	183
MITSO42C	18	342	92/67	110	628
MITSO42S	17	360	145	32	183
MITSO45B	18	335	92/67	110	628
MITSO45C	18	335	92/67	110	628
NISS007B	16	415/400	89/122	36.9	211
NISS008B	17	490/480	139	33	189
NISS009B	17	410/387	87/122	46	263
NISS009C	18	415/398	89/122	58	331
NISS010B	19	468/448	139	50	286
NISS010C	19	488/470	139	46	263
NISS018B	14	427	106	34	194
NISS020B	19	490/480	139	50	286
NISS020C	20	475/458	139	60	343
NISS020D	22	475/453	139	85	486
NISS024B	17	425/410	87/122	46	263
NISS026B	18	484/469	87/122	48	274
NISS027B	20	535/521	139	52	297
NISS027C	21	552/540	139	70	400
NISS034B	16	400	119/146.5	28	160
NISS035B	15	370	126	29	166
NISS038B	15	325	134/146	36	206
NISS039B	15	325	114/146	36	206
NISS040A	16	375	81	89	508
NISS040B	17	370	81	97	554
NISS040C	17	380	81	97	554
NISS040D	17.5	380	81	96.7	552
NISS042B	19	443	119	75	429
NISS042C	20	443	119	90	514
NISS043B	19	525/510	87/122	48	274
NISS044B	21	590/575	139	49	280
NISS044C	22/18	585/570	139/132	74	422
NISS045A	20	373	101	135	771
NISS045B	20	385	101	135	771
NISS045C	20	390	101	135	771

Part Number	Material	Free Height	End I/D	Spring Rate N/mm	Spring Rate lb/in
NISS045EA	21	385	101	154	878
NISS045EA2	21	380	100	176	105
NISS046A	21	515	119	90	514
NISS046B	21	522	119	90	514
NISS046C	21.5	528	119	99	566
NISS046EA	22	525	121	97	556
NISS046EA1	23	533	121	119	679
NISS046EA2	23	528	119	140	800
NISS058A	16	445	84/121.5	35-45	200-256
NISS058B	16	445	84/121.5	35-60	200-342
NISS058C	18	445	84/121	57	325
NISS058D	18.5	445	85/122	74	423
RAM015A	19	405	70/85	103	588
RAM015B	19	410	70/85	105	599
RAM015C	19	410	70/85	113	645
RAM016A	16	485	65/111.6	37	211
RAM016B	17	495	65/112	44	251
RAM016C	19	505	65/112	63	359
REN001B	13.5	410	99.5/117.5	30	171
REN002B	14	395	99/117	35	200
SSANG002B	16	410	116	41	234
SSANG003B	17	312	60/99	91	519
SSANG003C	17	319	60/99	93	531
SSANG004B	15	375	114.1	42	239
SSANG004C	16	375	114	50	285
SSANG006B	15	395	114.1	42	239
SSANG006C	16	395	114	50	285
SSANG010B	17	298	65/88	123	702
SUB001B	15	350	121/143	31	177
SUB002B	15.5	345/340	128	38.28	219
SUB003B	15.5	355	123/144	30	171
SUB004B	15	365	99/135	39	223
SUB005B	16	298	124/144	53	301
SUB006B	13.5	343	84	50	284
SUB014B	13	390	83.6/77.6	35	199
SUZ003B	16	280	70/80	102	582
SUZ004B	12	345	70/82	25.4	145
SUZ005B	16	290	80.5/70.5	103	589
SUZ006B	13	340	72/82	33	189
SUZ008B	11	325/320	70/82	27	154
SUZ009B	12	372	75/82.5	27	154
SUZ009C	12	387	75.5/82	27	154
SUZ010B	12	340/320	75/84	30.9	176
SUZ010C	12.5	363/343	75/84	36	205
SUZ011B	12	335	75/84	30.9	176
SUZ011C	12.5	350	75/84	36	205
SUZ013B	12.5	345	62/80	33	189
SUZ015B	16	320	72/82	86	491
SUZ016B	12.5	360	62/80	33	189
SUZ017B	16	340	72/82	86	491
SUZ018B	14	360	63/96	35	200
SUZ019B	16	381	125	42	240
SUZ019C	16	395	125	42	240
SUZ020A	16.5	363	72	72	440
SUZ020B	17	368	72	88	503
SUZ020C	17	378	72	88	503

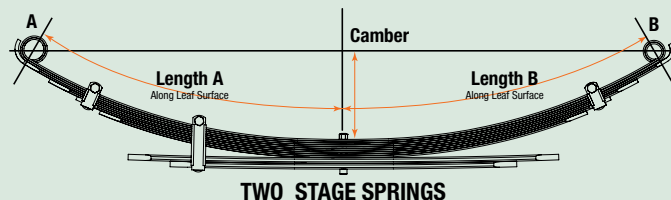
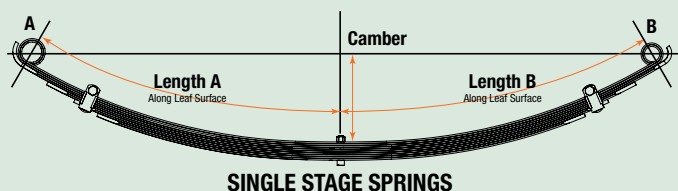
Coil Springs

Part Number	Material	Free Height	End I/D	Spring Rate N/mm	Spring Rate lb/in
TOY012C	19	515/520	84/119	49	280
TOY013B	18	485/495	108/140	40	229
TOY013C	20	490/497	108/140	57	326
TOY013D	21	490/495	108/140	72	411
TOY017A	16	470	90	54-60	308-342
TOY017B	16	463	90	59	337
TOY017EA	18	450	90	88.9	507-619
TOY017S	16	455	90	54-60	308-342
TOY018B	14	395/380	86/100	35	200
TOY019B	16	420/405	86/125	38.2	218
TOY023B	16	395/390	103/133	31	177
TOY023C	17	375/370	103/134	38.2	218
TOY024B	17	480/485	81/116	41	234
TOY024C	17	500/505	82/117	41	234
TOY025B	18	473/483	108/139	40	229
TOY025C	19	460/475	107/139	48	274
TOY025D	22	470/478	108/140	70	400
TOY038B	16	348/357	67/76	108	617
TOY038C	17	357	67/76	133	760
TOY039A	15	398	74/114	31-36	177-205
TOY039B	15	410	74/114	31-36	177-206
TOY039C	17	385	74/114	45-51	256-291
TOY046A	16	470	86/100	50	286
TOY046B	17	463	86/100	57	325
TOY046C	17.5	465	85.5/100	60	342
TOY046D	18	455	85/100	71	405
TOY046EA	19	500	100/85	76	434
TOY046EA1	20	490	99/84	93	532
TOY048B	14	438	100	34	194
TOY048C	14.5	428	100	39	223
TOY049B	17	450	87/125	34	194
TOY049C	18	440	87/125	44	251
TOY055A	16.5	380	66/76	106	606
TOY055B	17	380	66/76	117	669
TOY055C	18	373	66/76	143	817
TOY055EA	19	365	66/76	171	975
TOY055EA1	19	365	66/76	171	975
TOY056A	16.5	400	83.5/130.5	41	234
TOY056B	17	395	83/130	49	280
TOY056C	18	392	85/129	62	354
TOY060B	20	614/622	84/119	44	251
TOY061B	21	627/637	108/140	43	246
TOY061C	22	565/572	108/140	68	388
TOY063A	19	455/445	74/89	102	583
TOY063B	19	475/465	74/89	102	583
TOY063C	19	485/475	74/89	102	583
TOY063EA	20	445/435	89/73	117	668
TOY063EA1	21	435	74/89	136	775
TOY063EA2	22	430	87/73	186	1064
TOY063S	19	425/415	74/89	113	645
TOY064A	19	440/425	108/144	47	269
TOY064B	19	470/455	108/144	47	269
TOY064C	21	465/475	108/144	65	371
TOY064D	22	465	107/144	80	456
TOY064EA	20	475/465	108/144	50	286
TOY064EA1	24	427	105/144	113	645

Part Number	Material	Free Height	End I/D	Spring Rate N/mm	Spring Rate lb/in
TOY064EA2	25	435	108/140	126	718
TOY064S	18	457/442	108/144	42	240
TOY065A	18	390	66/76	126	720
TOY065B	18	382	66/76	136	775
TOY065C	18	380	66/76	145	827
TOY067B	18	300	82/122	90	514
TOY069B	17	420	83/130	48	274
TOY070B	19.5	430	66/89	132	754
TOY070C	19.5	437	66/89	132	754
TOY070EA	22	390	63/88	189	1079
TOY072B	18	365	135/107	59	336
TOY072EA	19	380	107/135	69	393
TOY076C	18	388	140	58	331
TOY079B	17.5	525	101/86	54	308
TOY080A	15	415	114	30	171
TOY081B	19.2	475	88	102	570
TOY081C	19.2	485	88	102	570
TOY082A	14.5	440	54/61	35	200
TOY082B	15	429	54/61	40	228
TOY082C	15.8	433	54/61	49	285
TOY082D	16.5	435	54/61	60	342
TOY083A	17	445	82/87	80	456
TOY083B	18	435	82/87	98	560
TOY083C	19	433	82/87	116	660
TOY083EA	19.2	400	82/87	124	712
TOY083EA1	20.2	405	82/87	148	850
TOY083EA2	21.2	395	82/87	194	1100
TOY084A	18	488	105/114	30/40	170/230
TOY084B	18	480	105/114	40	230
TOY084B1	19	488	105/114	45	260
TOY084C	20	480	105/114	57	325
TOY084D	21	480	105/114	70	400
TOY084EA	21.2	438	105/114	75	428
TOY084EA1	22	438	105/114	85	485
TOY084EA2	23	438	105/114	100	570
TOY085A	19	448	88/82	109	620
TOY085B	20	429	88/82	133	760
TOY085C	20.2	417	88/82	144	820
TOY086A	19	448	88/82	109	620
TOY086B	20	429	88/82	133	758
TOY086C	20.2	417	88/82	144	820
TOY087A	18	504	105/114	28	160
TOY087B	18	464	105/114	40	228
TOY088A	19	436	88/82	109	620
TOY088B	20	416	88/82	133	760
TOY088C	20.2	418	88/82	144	820
TOY089A	19	436	88/82	109	620
TOY089B	20	416	88/82	133	758
TOY089C	20.2	418	88/82	144	820
TROL001B	15.5	390	94	58	331
TROL002B	15.5	430	102	39	223
TROL003B	15.5	395	95	52	297
TROL004B	15	435	99	38	216
VOLKS001B	17.5	330	65.5/90	119	679
VOLKS001C	18	330	65.5/90	137	783
VOLKS001D	18	335	65.5/90	137	783

Leaf Springs

LEAF SPRING MEASUREMENT REFERENCE



Part Number	Length A	Length B	Camber	Leaves	Width	Eye A	Eye B
FOR002A	585	735	120	5+2	60	55	32
FOR002B	585	735	130	5+2	60	55	32
FOR002C	585	735	145	6+2	60	55	32
FOR012A	580	750	200	5+1	60	55	32
FOR012B	580	750	195	5+1	60	55	32
FOR012C	580	750	188	5+1	60	55	32
FOR012D	580	750	189	5+1	60	55	32
FOR014A	755	835	260	5+1	75	45	42
FOR014B	755	835	230	5+1	75	45	42
FOR014C	755	835	245	5+1	75	45	42
FOR014D	755	835	255	5+1	75	45	42
HOLD004A	555	650	240/230	5+1	60	40	30
HOLD004B	555	650	250/240	5+1	60	40	30
HOLD004C	555	650	250/240	6+1	60	40	30
HOLD006A	608	602	205	4+1	60	40	30
HOLD006B	608	602	205	5+1	60	40	30
HOLD006C	608	602	205	6+2	60	40	30
HOLD006D	608	602	205	6+2	60	40	30
HOLD021A	607	763	145	5+2	60	40	30
HOLD021B	607	763	155	5+2	60	40	30
HOLD021C	607	763	160	6+2	60	40	30
HOLD021D	607	758	160	6+2	60	40	30
HOLD023B	650	650	175	5+2	60	40	30
HOLD023C	650	650	175	6+2	60	40	30
IMAZ002B	650	700	165	8	60	42	32
ISL6010	270	270	48	1	60		
JEEP004B	585	725	195/175	5+2	63	64.5	44.3
JMC002B	610	690	150	5+2	60	40	30
JMC002C	610	690	130	5+2	60	40	30
MAH002B	612	610	185	5+2	70	35	35
MAZDA006A	530	670	165	5+1	60	32	32
MAZDA006B	530	670	150	6+2	60	32	32
MAZDA006C	530	670	165	6+2	60	32	32
MAZDA006D	530	670	150	7+2	60	32	32

Part Number	Length A	Length B	Camber	Leaves	Width	Eye A	Eye B
MAZDA041A	590	730	140	4+2	60	40	32
MAZDA041B	590	730	140	4+2	60	40	32
MAZDA041C	590	720	140	5+2	60	40	32
MAZDA041D	590	720	130	6+2	60	40	32
MITSD018A	520	685	200	4+1	70	32	28
MITSD018B	515	685	195	4+1	70	32	28
MITSD018C	515	685	190	5+1	70	32	28
MITSD041A	515	685	140	4+1	70	32	28
MITSD041B	515	685	145	4+1	70	32	28
MITSD041C	515	685	155	5+1	70	32	28
MITSD047A	550	775	140	5+1	60	40	28
MITSD047B	550	775	140	5+1	60	40	28
MITSD047C	550	775	140	5+2	60	40	28
NISS003B	560	550	185/170	6	60	22	33
NISS004B	605	835	250/235	8	60	33	33
NISS005B	560	550	185/170	6	60	40	33
NISS011C	550	550	180/170	7	70	40	35
NISS012C	595	825	217/200	7+2	70	35	35
NISS012D	600	830	240/225	7+3	70	35	35
NISS014A	565	635	145/135	4+2	60	40	33
NISS014B	565	635	130/120	4+1	60	40	33
NISS014C	565	635	130/120	5+1	60	40	33
NISS021B	650	580	200	8	60	33	40
NISS041B	670	735	195	5+1	60	40	33
NISS041C	670	730	190	6+1	60	40	33
NISS041D	670	730	180	7+2	60	40	33
NISS047B	635	715	195	7+1	60	40	33
NISS049B	700	650	230	5+1	60	40	33
NISS057B	670	605	175	5+2	60	40	33
NISS057C	670	605	175	6+2	60	40	33
SSANG005B	710	720	200	5+1	70	56	28
SSANG005C	710	720	200	6+1	70	56	28
SUZ001B	480	470	120/110	5	50	30	40
SUZ002B	510	520	175/155	4+1	50	40	30

Leaf Springs

Part Number	Length A	Length B	Camber	Leaves	Width	Eye A	Eye B
TOY001B	510	610	160	7	70	25	25
TOY002B	510	620	180	7	70	25	25
TOY003C	660	660	230	7+3	70	30	30
TOY004B	510	610	160	7	70	35	35
TOY004C	502	603	155	8	70	35	35
TOY005C	655	675	230	7+3	70	35	35
TOY006B	555	555	150	7	70	35	35
TOY006C	555	555	175	8	70	35	35
TOY006D	550	550	175	9	70	35	35
TOY007A	570	655	230/220	7	70	35	35
TOY007B	570	645	220/205	6+1	70	35	35
TOY007C	565	655	230/220	7+1	70	35	35
TOY008B	555	590	180	7	70	35	35
TOY008C	555	590	180	8	70	35	35
TOY009B	610	730	210	6+2	70	40	40
TOY009C	610	720	210	7+2	70	40	40
TOY009D	605	720	215	8+2	70	40	40
TOY009E	610	720	220	9+2	70	40	40
TOY010B	575	575	135/115	5	60	30	30
TOY010C	575	575	130/110	6	60	30	30
TOY011B	530	670	200	4+2	60	30	30
TOY011C	530	670	210	5+2	60	30	30
TOY027A	560	740	200	6+2	60	40	30
TOY027B	560	740	200	4+2	60	40	30
TOY027C	560	740	200	5+2	60	40	30
TOY034B	505	630	205	7	70	35	35
TOY044C	535	670	150	4+2	60	40	40

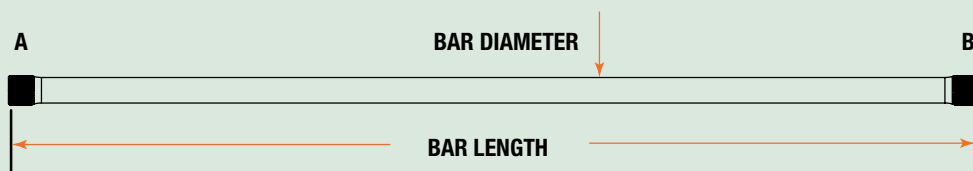
Part Number	Length A	Length B	Camber	Leaves	Width	Eye A	Eye B
TOY047A	695	815	245	7+2	70	40	40
TOY047B	698	815	235	8+2	70	40	40
TOY047C	698	815	235	9+2	70	40	40
TOY047D	698	815	235	9+2	70	40	40
TOY047E	698	815	250	9+2	70	40	40
TOY057A	610	690	170	6+2	60	40	30
TOY057B	610	690	190	4+2	60	40	30
TOY057C	610	690	190	5+2	60	40	30
TOY057D	610	690	200	6+2	60	40	30
TOY062B	620	785	245	7+2	70	40	40
TOY062C	620	785	245	8+2	70	40	40
TOY062D	625	785	250	10+2	70	40	40
TOY066B	705	705	185/175	5+2	60	40	40
TOY066C	705	705	185/180	6+2	60	40	40
TOY068B	590	685	200	4+2	60	40	30
TOY068C	590	685	190	6+2	60	40	30
TOY071B	800	815	200	4+2	60	40	40
TOY071C	800	815	200	5+2	60	40	40
TOY073B	655	755	130	3	70	70	60
TOY073C	655	755	130	4	70	70	60
TOY077A	700	700	170	5+2	60	40	30
TOY077B	700	700	170	5+2	60	40	30
TOY077C	700	700	170	6+2	60	40	30
TOY077D	700	700	170	6+2	60	40	30
VOLKS002B	750	760	245	5+2	70	60	46
VOLKS002C	750	760	255	6+2	70	60	46

LEAF SPRING SPARE PARTS

099	3/8" x 4" Centre Bolt
098	5/16" x 4" Centre Bolt
635	3/8" x 4" Centre Bolt - Extended Head
CLINER001	Plastic Clip Liner
AFPAD001	Plastic Anti-Friction Pad (Oval Locator)
AFPAD002	Plastic Anti-Friction Pad (Round Locator)
IWEDGE04	1 Degree Wedge Kit
IWEDGE08	2 Degree Wedge Kit
IWEDGE10	3 Degree Wedge Kit
IWEDGE12	4 Degree Wedge Kit

Torsion and Sway Bars

TORSION AND SWAY BAR MEASUREMENT REFERENCE



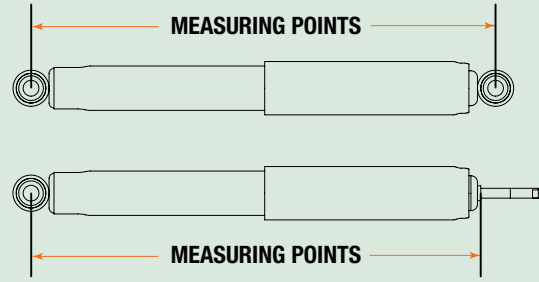
Part Number	Length	Diameter	A End Spline Count	B End Spline Count	Part Number	Length	Diameter	A End Spline Count	B End Spline Count
HOLD005A	1000	26	43	43	NISS013	1203	26	39	39
HOLD007	1000	26	47	47	NISS017	1232	26	39	39
HOLD009	1220	30	47	47	NISS025	894	26	39	39
HOLD010	1144	30	47	47	NISS048	866	26	39	39
HYUND004	1275	29	43	43	SSANG001	1040	26	40	40
MAZDA005	924	26	40	40	TOY026	1063	26	43	40
MAZDA014	1025	27	40	40	TOY042	1212	27	40	40
MAH001	1063	28	43	43	TOY050	1160	32	46	46
MITS013	1278	26	39	40	TOY051	1210	32	46	46
MITS015C	1370	28	39	40					
MITS019	1308	28	39	40					
MITS031	1165	24	40	40					

SWAY BAR SPARE PARTS	SWAY BAR	REPLACEMENT BUSH	
To Suit Toyota Landcruiser 200 Front	ISB200F	ISBB20038R	Rubber Sway Bar Chassis Bush 38mm
To Suit Toyota Landcruiser 200 Rear	ISB200R	ISBB20033R	Rubber Sway Bar Axle Mounting Bush 33mm
		ISBB200REB	Rubber Sway Bar End Bush
To Suit Nissan Patrol Y62 Front	ISB600F	ISBB60036R	Rubber Sway Bar Chassis Bush 36mm
To Suit Nissan Patrol Y62 Rear	ISB600R	ISBB60027R	Rubber Sway Bar Axle Mounting Bush 27mm
To Suit Toyota Landcruiser 70 Front Diesel	ISB789FW	ISBB78933R	Rubber Sway Bar Chassis Bush 33mm
		ISBB789REB	Rubber Sway Bar End Bush
		ISBB789DB	Chassis Mounting D Bracket
To Suit Toyota Landcruiser 70 Front Petrol	ISB789FWP	ISBB78933R	Rubber Sway Bar Chassis Bush 33mm
		ISBB789REB	Rubber Sway Bar End Bush
		ISBB789DB	Chassis Mounting D Bracket
To Suit Toyota Landcruiser 70 Rear	ISB789RW	ISBB78930R	Rubber Sway Bar Axle Mounting Bush 30mm
		ISBB789REB	Rubber Sway Bar End Bush
		ISBB789DB	Axle Mounting D Bracket
		ISBB789RBK	Chassis Mounting Bracket Set
To Suit Toyota Hilux 2015+ Front	ISB80F	ISBB8033R	Rubber Sway Bar Chassis Bush 33mm

Shock Absorbers



SHOCK ABSORBER MEASUREMENT REFERENCE



Part Number	Extended (mm)	Compressed (mm)	Upper Mount Type	Upper Replacement	Lower Mount Type	Lower Replacement
12002GR	533	395	STEM 71 X M14	-	-	-
12003GRC	650	404	STEM 81 X M14	ST883RK	ET38	ET38
12003GR	650	404	STEM 81 X M14	ST883RK	ET38	ET38
12075GR	487	296	ST1	2244K	ST1	2244K
12076GR	583	347	B1	632RF	ST1	2244K
12080GR	552	332	ST38	656RK	ST38	656RK
12081GR	631	388	B2	635RK	B2	635RK
12082GR	342	232	ST1	2244K	CB7	CB7
12083GR	505	310	STEM 57 X M14	-	CLEVIS	-
12085GR	485	298	ST1	2244K	B1	632RF
12086GR	500	313	B1	632RF	B1	632RF
12087GR	350	236	ST1	2244K	ET17	ET17
12088GR	368	245	ST1	2244K	ET113	ET113
12089GR	510	320	ST1	2244K	ET83	-
12091GR	510	310	ST38	656RK	ST38	656RK
12094GR	655	402	B2	635RK	B2	635RK
12095GR	631	382	ET104	ET104	ET69	ET69
12635GR	485	307	B1	632RF	B1	632RF
12636GR	588	357	B1	632RF	B1	632RF
12636GRP	588	362	B1	632RF	B1	632RF
12637GR	577	348	ST1	2244K	B2	635RK
12639GR	484	298	ST1	2244K	ET17	ET17
12640GR	564	343	B2	635RK	ST38	656RK
12643GR	412	261	ST6	2244AK	ET17	ET17
12644GR	510	320	ET153	-	ET36	-
12645GR	531	333	B1	632RF	ET142	-
12645GRS	520	328	B1	632RF	ET142	-
12646GR	495	310	ST1	2244K	ET113	ET113

Part Number	Extended (mm)	Compressed (mm)	Upper Mount Type	Upper Replacement	Lower Mount Type	Lower Replacement
12648GR	640	385	B2	635RK	ST1	2244K
12650GR	593	364	B2	635RK	B2	635RK
12652GR	540	333	B1	632RF	B1	632RF
12658GR	510	320	ST1	2244K	ET83	-
12661GR	535	329	ST1	2244K	B2	635RK
12665GR	565	345	ST1	2244AK	CB7	CB7
12666GR	560	348	CB20	CB20	B5	-
12667GR	381	250	ST1	2244K	ET17	ET17
12669GR	560	348	CB20	CB20	ET24	-
12670GR	562	351	B5	-	ET24	-
12671GR	627	372	ST1	2244K	B1	632RF
12682GR	618	373	ST38	656RK	B2	635RK
12682GRC	618	373	ST38-1	ST38-1	ET38	ET38
12682GRP	618	373	ST38-1	ST38-1	ET38	ET38
12683GR	615	365	ST38	656RK	ST38	656RK
12691GR	462	343	ST38	656RK	ET153	ET153
12696GR	570	347	ET161	-	ST38	656RK
12697GR	520	322	B2	635RK	ST38	656RK
12698GR	624	381	B1	632RF	B1	632RF
12710GR	564	432	STEM 95 X M12	ST710RK	ET153-1	ET153-1
12711GR	318	206	STEM 68 X M10	-	-	-
12712GR	570	357	ET19	-	ET141	-
12712LGR	700	416	ET19	-	ET141	-
12713GR	470	325	STEM 86 X M10	-	ET158	ET158
12714GR	575	351	ST1	ST714RK	ET159	-
12715GR	423	305	STEM 71 X M10	-	ET158-1	ET158-1
12716GR	389	284	STEM 85 X M12	656R	ET153-2	ET153-2
12717GR	575	352	B1	632RF	ET34	ET34

Part Number	Extended (mm)	Compressed (mm)	Upper Mount Type	Upper Replacement	Lower Mount Type	Lower Replacement
12718GR	380	265	ET159	-	ET159	-
12720GR	600	435	STEM 69 X M14	ST720RK	ET113-1	ET113-1
12721GR	607	382	STEM 28 X M14	-	CLEVIS	-
12722GR	545	343	ET83	-	ET83	-
12725GR	615	460	STEM 56 X M12	-	FORK	-
12726GR	602	365	ET69	ET69	ET69	ET69
12727GR	512	378	STEM 65 X M12	ST727RK	ET154	ET154
12728GR	608	369	B1	632RF	ET34	ET34
12729GR	550	339	B1	632RF	B1	632RF
12729GRP	550	343	B1	632RF	B1	632RF
12730GR	560	425	STEM 68 X M12	ST710RK	ET153-1	ET153-1
12731GR	540	333	ET69	ET69	ET69	ET69
12732GR	580	380	STEM 33 X M12	-	ET162	-
12735GR	830	667	STEM 35 X M12	-	CLEVIS	-
12738GR	830	667	STEM 35 X M12	-	CLEVIS	-
12740GR	452	299	STEM 81 X M12	-	ET158-2	ET158-2
12742GR	564	356	ST42	-	ET160	ET160
12743GR	600	362	ST10	ST10RK	ET38	ET38
12744GR	609	361	ST10	ST10RK	ET17	ET17
12745GR	495	359	STEM 64 X M12	ST710RK	ET153-1	ET153-1
12746GR	605	360	ST1	2244K	ET17	ET17
12747GR	625	400	STEM 45 X M14	-	CLEVIS	-
12748GR	711	450	STEM 45 X M14	-	CLEVIS	-
12749GR	530	325	ET69	ET69	B1	632RF
12750GR	562	425	STEM 68 X M12	ST710RK	ET153-3	ET153-3
12751GR	575	325	ST38	656RK	ET69	632RF
12751LGR	650	382	ST38	656RK	ET69	632RF
12752GR	617	374	CB35	CB35	ET69	632RF
12752LGR	665	396	CB35	CB35	ET69	632RF
12755GR	625	381	ET113	-	ET113	-
12756GR	432	293	ET173	-	ET173	-
12757GR	650	390	CB34	-	ET34	-
12759GR	440	277	ST1	2244K	ET17	ET17
12760GR	495	310	ET177	ET177	ET177	ET177
12764GR	440	307	STEM 70 X M12	-	ET153	ET153
12765GR	625	380	ET163	-	ET163	-
12774GR	550	336	ST6	2244AK	CB7	CB7
12775GR	575	357	ET61	-	ET65	-
12776GR	587	362	ET172	-	CB34	-
12777GR	587	362	ET172	-	ET172	-
12780GR	613	450	STEM 68 X M12	ST710RK	ET113-1	ET113-1
12781GR	650	384	ST38	ST21RK	ET38-2	ET38-2
12791GR	310	217	ST1	2244K	ET17	ET17
12795GR	447	290	ST21	ST21RK	ET153	-
12796GR	619	369	ST21	ST21RK	B2	635RK
12797GR	415	295	STEM 64 X M12	ST710RK	ET153-1	ET153-1
12804GR	535	345	CB159	-	ET38	ET38
12805GR	570	351	B1	632RF	B2	635RK
12807GR	451	344	STEM 48 X M10	-	CB160	-
12808GR	673	404	ET164	-	ET164	-
12809GR	461	354	STEM 55 X M10	-	CB160	-
12810GR	605	375	ET164	-	ET164	-
12811GR	630	390	ET113	-	ST39	ST39
12812GR	597	375	ST39	-	ET174	ET174
12823GR	478	360	STEM 28 X M10	-	ET174	ET174
12824GR	525	320	STEM 90 X M10	-	ET175	ET175
12825GR	545	330	STEM 90 X M10	-	ET175	ET175
12826GR	580	365	ET176	ET176	ET176	ET176
12827GR	496	376	STEM 65 X M12	-	ET155	ET155
12853GR	550	437	STEM 65 X M12	ST22RK	ET153-1	ET153-1
12885GR	555	411	STEM 46 X M12	N/A	ET885	ET885
12886GR	650	398	ET886	ET886	ET886	ET886
12886GRC	650	398	ET886	ET886	ET886	ET886
12887GR	580	432	STEM 50 X M12	-	-	-
12888GRC	730	452	-	-	-	-
12888GR	730	452	-	-	-	-

Shock Absorbers

FOAMCELL

Part Number	Extended (mm)	Compressed (mm)	Upper Mount Type	Upper Replacement	Lower Mount Type	Lower Replacement	Part Number	Extended (mm)	Compressed (mm)	Upper Mount Type	Upper Replacement	Lower Mount Type	Lower Replacement
24080FE	552	332	ST38	656RK	ST38	656RK	24698FEP	626	381	B1	632RF	B1	632RF
24081FE	631	388	B2	635RK	B2	635RK	24710FE	540	408	STEM 95 X M12	ST710RK	ET153-1	ET153-1
24081FEP	631	388	B2	635RK	B2	635RK	24713FE	470	325	STEM 86 X M10	-	ET158	ET158
24082FE	342	230	ST1	2244K	CB7	CB7	24715FE	423	305	STEM 71 X M10	-	ET158-1	ET158-1
24087FE	349	235	ST1	2244K	ET17	ET17	24716FE	389	284	STEM 85 X M12	656R	ET153-2	ET153-2
24088FE	368	246	ST1	2244K	ET113	ET113	24717FE	577	356	B1	632RF	ET34	ET34
24091FE	510	310	ST38	656RK	ST38	656RK	24717FEC	577	356	B1	632RF	ET34	ET34
24091FEP	510	310	ST38	656RK	ST38	656RK	24717FEP	575	356	B1	632RF	ET34	ET34
24091LFE	557	354	ST38	656RK	ST38	656RK	24718FE	380	265	ET159	-	ET159	-
24091LFE1	597	353	ST38	656RK	ST38	656RK	24720FE	600	435	STEM 69 X M14	ST720RK	ET113-1	ET113-1
24091LFEP	557	354	ST38	656RK	ST38	656RK	24727FE	512	378	STEM 65 x M12	ST727RK	ET154	ET154
24094FE	658	402	B2	635RK	B2	635RK	24728FE	608	373	B1	632RF	ET34	ET34
24094LFE	718	429	B2	635RK	B2	635RK	24728FEP	608	373	B1	632RF	ET34	ET34
24094LFE1	760	450	B2	635RK	B2	635RK	24729FE	550	348	B1	632RF	B1	632RF
24094LFE1	718	429	B2	635RK	B2	635RK	24729FEP	550	348	B1	632RF	B1	632RF
24094LFEP	718	429	B2	635RK	B2	635RK	24730FE	560	425	STEM 68 X M12	ST710RK	ET153-1	ET153-1
24095FE	630	385	ET104	ET104	ET69	ET69	24732FE	580	374	STEM 33 X M12	-	ET162	-
24635FE	485	310	B1	632RF	B1	632RF	24740FE	452	299	STEM 81 X M12	-	ET158-2	ET158-2
24636FE	587	361	B1	632RF	B1	632RF	24742FE	564	356	ST42	-	ET160	ET160
24636FEP	587	361	B1	632RF	B1	632RF	24743FE	600	365	ST10	ST10RK	B2	635RK
24637FE	577	350	ST1	2244K	B2	635RK	24744FE	610	365	ST10	ST10RK	ET17	ET17
24639FE	484	303	ST1	2244K	ET17	ET17	24745FE	495	359	STEM 64 x M12	ST710RK	ET153-1	ET153-1
24640FE	564	343	B2	635RK	ST38	656RK	24746FE	605	366	ST1	2244K	ET17	ET17
24643FE	412	266	ST6	2244AK	ET17	ET17	24750FE	562	425	STEM 68 X M12	ST710RK	ET153-3	ET153-3
24644FE	510	325	ET153	-	ET36	-	24776FE	587	367	ET172	-	CB34	-
24645FE	531	333	B1	632RF	ET142	-	24777FE	587	367	ET172	-	ET172	-
24645FEC	531	333	B1	632RF	ET142	-	24780FE	613	450	STEM 68 x M12	ST710RK	ET113-1	ET113-1
24645FES	520	328	B1	632RF	ET142	-	24781FE	650	387	ST38	ST21RK	ET38-2	ET38-2
24646FE	495	310	ST1	2244K	ET113	ET113	24788FE	560	341	ET113	-	ST39	ST39
24648FE	640	385	B2	635RK	ST1	2244K	24789FE	576	349	ST39	ST39	ET174	ET174
24650FE	592	366	B2	635RK	B2	635RK	24795FE	447	290	ST21	ST21RK	ET153	-
24650FEP	592	366	B2	635RK	B2	635RK	24796FE	615	369	ST21	ST21RK	B2	635RK
24652FE	540	337	B1	632RF	B1	632RF	24804FE	535	345	CB159	-	ET38	ET38
24661FE	533	331.5	ST1	2244K	B2	635RK	24805FE	570	355	B1	632RF	B2	635RK
24665FE	564	346	ST1	2244K	CB7	CB7	24811FE	630	390	ET113	-	ST39	ST39
24666FE	565	346	CB20	CB20	B5	-	24812FE	597	375	ST39	ST39	ET174	ET174
24667FE	382	251	ST1	2244AK	ET17S	ET17S	24827FE	496	376	STEM 65 XM12	-	ET155	ET155
24682FE	618	373	ST38	656RK	B2	635RK	24840FE	635	450	STEM 31 x M14	-	CLEVIS	-
24682FEC	618	373	ST38-1	ST38-1	ET38	ET38	24842FE	570	375	B2	635RK	B2	635RK
24682FEP	618	373	ST38-1	ST38-1	ET38	ET38	24842FEC	570	375	B2	635RK	B2	635RK
24682LFE	670	398	ST38	656RK	B2	635RK	24845FE	517	359	STEM 64 x M12	ST710RK	ET153-1	ET153-1
24682LFE1	730	428	ST38	656RK	B2	635RK	24851FE	640	456	ET180	-	ET181	-
24683FE	615	365	ST38	656RK	ST38	656RK	24852FE	480	491	ET180	-	ET181	-
24683LFE	670	390	ST38	656RK	ST38	656RK	24853FE	550	437	STEM 65 X M12	ST72R K	ET153-1	ET153-1
24683LFE1	730	420	ST38	656RK	ST38	656RK	24883FE	620	453	STEM 63 X M14	ST883RK	ET183	ET183
24691FE	462	343	ST38	656RK	ET153	ET153	24884FE	620	410	STEM 81 X M14	ST884RK	ET38	ET38
24696FE	570	347	ET161	-	ST38	656RK	24885FE	555	411	STEM 46 X M12	N/A	ET886	ET886
24697FE	520	322	B2	635RK	ST38	656RK	24886FE	650	398	ET886	ET886	ET886	ET886
24698FE	626	381	B1	632RF	B1	632RF	24886FEC	650	398	ET886	ET886	ET886	ET886
24698FEC	626	381	B1	632RF	B1	632RF							

Part Number	Extended (mm)	Compressed (mm)	Upper Mount Type	Upper Replacement	Lower Mount Type	Lower Replacement	Seal Service Kit	Seat Insulator	Adjusting Rings
45002FE	533	395	STEM 71 x M14						
45003FEC	650	404	STEM 81 X M14	ST883RK	ET38	ET38	45SK7220		
45003FE	650	404	STEM 81 X M14	ST883RK	ET38	ET38	45SK7220		
45003FEP	650	404	STEM 81 X M14	ST883RK	ET38	ET38	45SK7220		
45080FE	552	358	ST38	656RK	ST38	656RK	45SK7220		
45081FE	631	400	B2	635RK	B2	635RK	45SK7220		
45081FEC	631	400	B2	635RK	B2	635RK	45SK7220		
45091FE	510	318	ST38	656RK	ST38	656RK	45SK7220		
45091FEP	510	318	ST38	656RK	ST38	656RK	45SK7220		
45091LFE	557	341	ST38	656RK	ST38	656RK	45SK7220		
45091LFE1	597	361	ST38	656RK	ST38	656RK	45SK7220		
45091LFE3	860	492	ST38	656RK	ST38	656RK	45SK7220		
45091LFEP	557	341	ST38	656RK	ST38	656RK	45SK7220		
45094FE	658	416	B2	635RK	ET38	ET38	45SK7220		
45094FEC	658	416	B2	635RK	ET38	ET38	45SK7220		
45094LFE	718	446	B2	635RK	ET38	ET38	45SK7220		
45094LFE1	760	467	B2	635RK	ET38	ET38	45SK7220		
45094LFE3	860	516	B2	635RK	ET38	ET38	45SK7220		
45095FE	630	398	ET104	ET104	ET69	ET69	45SK7220		
45095FEC	630	398	ET104	ET104	ET69	ET69	45SK7220		
45635FE	485	323	B1	632RF	B1	632RF	45SK7220		
45636FE	587	375	B1	632RF	B1	632RF	45SK7220		
45636FEC	587	375	B1	632RF	B1	632RF	45SK7220		
45637FE	577	363	ST1	2244K	B2	635R	45SK7220		
45640FE	564	357	ET38	ET38	ST38	656RK	45SK7220		
45648FE	640	395	B2	635RK	ST1	2244K	45SK7220		
45650FE	592	380	B2	635RK	B2	635RK	45SK7220		
45650FEC	592	380	B2	635RK	B2	635RK	45SK7220		
45650FEP	592	380	B2	635RK	B2	635RK	45SK7220		
45652FE	540	354	B1	632RF	B1	632RF	45SK7220		
45652FEC	540	354	B1	632RF	B1	632RF	45SK7220		
45661FE	533	343	ST1	2244K	ET38	ET38	45SK7220		
45667FE	382	257	ST1	2244K	ET17	ET17	45SK6520		
45682FE	618	383	ST38	656RK	ET38	ET38	45SK7220		
45682FEC	618	383	ST38-1	ST38-1	ET38	ET38	45SK7220		
45682FEP	618	383	ST38-1	ST38-1	ET38	ET38	45SK7220		
45682LFE	670	409	ST38	656RK	ET38	ET38	45SK7220		
45682LFE1	730	439	ST38	656RK	ET38	ET38	45SK7220		
45682LFE3	860	504	ST38	656RK	ET38	ET38	45SK7220		
45683FE	615	370	ST38	656RK	ST38	656RK	45SK7220		
45683LFE	670	397	ST38	656RK	ST38	656RK	45SK7220		
45683LFE1	730	427	ST38	656RK	ST38	656RK	45SK7220		
45691FE	462	342	ST38	656RK	ET153	ET153	45SK6520	45RSS001	45TAR001
45698FE	626	394	B1	632RF	B1	632RF	45SK7220		
45698FEC	626	394	B1	632RF	B1	632RF	45SK7220		
45710FE	540	408	STEM 95 x M12	ST710RK	ET153-1	ET153-1	45SK6520	45RSS001	45TAR001
45715FE	442	315	STEM 71 X M10	-	ET158-1	ET158-1	45SK6520	45RSS001	45TAR001
45716FE	389	283	STEM 86 x M12	656RK	ET153-2	ET153-2	45SK7220	45RSS004	45TAR002

Shock Absorbers

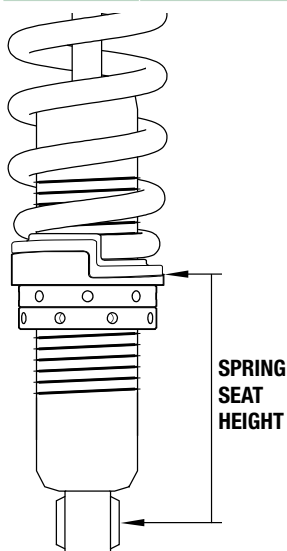
FOAMCELLPRO

Part Number	Extended (mm)	Compressed (mm)	Upper Mount Type	Upper Replacement	Lower Mount Type	Lower Replacement	Seal Service Kit	Seat Insulator	Adjusting Rings
45716LFE	402	287	STEM 86 x M12	656RK	ET153-2	ET153-2	45SK7220	45RSS004	45STAR002
45717FE	572	373	B1	632RF	ET34	ET34	45SK7220		
45717FEC	572	373	B1	632RF	ET34	ET34	45SK7220		
45720FE	600	435	STEM 71 x M14	ST720RK	ET113-1	ET113-1	45SK7218	45RSS002	45STAR002
45727FE	512	378	STEM 65 x M12	ST727RK	ET154	ET154	45SK7220	45RSS005	45STAR002
45728FE	608	389	B1	632RF	ET34	ET34	45SK7220		
45728FEC	608	389	B1	632RF	ET34	ET34	45SK7220		
45729FE	445	372	B1	632RF	B1	632RF			
45729FEC	445	372	B1	632RF	B1	632RF			
45729FEP	445	372	B1	632RF	B1	632RF			
45730FE	560	425	STEM 68 X M12	ST710RK	ET153-1	ET153-1	45SK6520	45RSS001	45STAR001
45732FE	580	380	STEM 33 X M12	-	ET162	-	45SK7218		
45732FEC	580	380	STEM 33 X M12	-	ET162	-	45SK7218		
45740FE	452	302	STEM 81 x M12	-	ET158-2	ET158-2	45SK7220	45RSS003	45STAR002
45742FE	564	357	ST42	-	ET160	ET160	45SK7220		
45743FE	600	376	ST10	ST10RK	ET38	ET38	45SK7220		
45744FE	610	379	ST10	ST10RK	ET17	ET17	45SK7220		
45745FE	495	359	STEM 64 x M12	ST710RK	ET153-1	ET153-1	45SK6520	45RSS001	45STAR001
45746FE	605	397	ST1	2244K	ET17	ET17	45SK6520		
45746FEC	605	397	ST1	2244K	ET17	ET17	45SK6520		
45750FE	562	425	STEM 68 x M12	ST710RK	ET153-3	ET153-3	45SK6520	45RSS001	45STAR001
45751FE	575	361	ST38	656RK	B1	632RF	45SK7220		
45751LFE	650	399	ST38	656RK	B1	632RF	45SK7220		
45752FE	617	393	CB35	CB35	B1	632RF	45SK7220		
45752LFE	665	417	CB35	CB35	B1	632RF	45SK7220		
45780FE	613	450	STEM 68 X M12	ST710RK	ET113-1	ET113-1	45SK7218	45RSS002	45STAR002
45781FE	650	401	ST21	ST21RK	ET38-2	ET38-2	45SK7220		
45795FE	447	295	ST21	ST21RK	ET38-1	ET38-1	45SK7220		
45796FE	615	401	ST21	ST21RK	ET38	ET38	45SK7220		
45796FEP	615	401	ST21	ST21RK	ET38	ET38	45SK7220		
45802FE	755	471	ET165	-	ET165	-	45SK7220		
45802LFE	860	524	ET165	-	ET165	-	45SK7220		
45803FE	710	449	ET165	-	ET165	-	45SK7220		
45827FE	496	376	STEM 65 X M12	-	ET155	ET155	45SK7218	45RSS005	45STAR002
45845FE	517	359	STEM 64 x M12	ST710RK	ET153-1	ET153-1	45SK6520	45RSS001	45STAR001
45851FE	640	456	ET180	-	ET181	-	45SK6520		
45851FEC	640	456	ET180	-	ET181	-	45SK6520		
45851LFE	680	421	ET180	-	ET181	-	45SK6520		
45851LFEC	680	421	ET180	-	ET181	-	45SK6520		
45852FEC	640	498	ET180	-	ET181	-	45SK6520		
45852LFE	730	453	ET180	-	ET181	-	45SK6520		
45852LFEC	730	453	ET180	-	ET181	-	45SK6520		
45853FE	550	437	STEM 65 X M12	ST72RK	ET153-1	ET153-1	45SK6520	45RSS001	45STAR001
45854FE	678	446	ET153-1	-	ET153-1	-	45SK7220		
45854FEC	678	446	ET153-1	-	ET153-1	-	45SK7220		
45854FEP	678	446	ET153-1	-	ET153-1	-	45SK7220		
45855FE	542	389	STEM x 30 x M12	-	CLEVIS 72.5 x 16.5	-	45SK6520		
45855LFE	558	389	STEM x 30 x M12	-	CLEVIS 72.5 x 16.5	-	45SK6520		

Part Number	Extended (mm)	Compressed (mm)	Upper Mount Type	Upper Replacement	Lower Mount Type	Lower Replacement	Seal Service Kit	Seat Insulator	Adjusting Rings
45856FE	678	446	ET153-2	ET153-2	ET153-3	-	45SK7220		
45856FEC	678	446	ET153-2	ET153-2	ET153-3	-	45SK7220		
45856LFE	700	457	ET153-2	ET153-2	ET153-3	-	45SK7220		
45856LFEC	700	457	ET153-2	ET153-2	ET153-3	-	45SK7220		
45860FE	561	412	STEM 30 X M12	-	CLEVIS 72 X 16.5	-	45SK6520		
45860FEC	700	426	STEM 65 X M12	-	ET153-3	ET153-3	45SK7220		
45862FE	700	426	STEM 65 X M12	-	ET153-3	ET153-3	45SK7220		
45883FE	620	453	STEM 63 X M14	ST883RK	ET183	ET183	45SK7218		
45884FE	660	424	STEM 81 X M14	ST883RK	ET38	ET38	45SK7220		
45884FEP	660	424	STEM 81 X M14	ST883RK	ET38	ET38	45SK7220		
45885FE	555	411	STEM 46 X M12	N/A	ET885	ET885	45SK6520		
45886FE	650	409	ET886	ET886	ET886	ET886	45SK7220		
45886FEC	650	409	ET886	ET886	ET886	ET886	45SK7220		
45886FEP	650	409	ET886	ET886	ET886	ET886	45SK7220		
45887FE	580	432	STEM 50 x M12				45SK7220		
45888FEC	730	452					45SK7220		
45888FE	730	452					45SK7220		
45888FEP	730	452					45SK7220		

Make	To Suit Model	Part No.	OEM Spring Seat Height
To Suit Ford	To Suit Ranger PX, PX II	45727FE	190mm
	To Suit Ranger PX III	45827FE	166mm
	To Suit Ranger Next-Gen	45885FE	193mm
	To Suit F-150	45887FE	193mm
To Suit Holden	To Suit Colorado / Trailblazer	45745FE	190mm
To Suit Isuzu	To Suit D-Max	45745FE	190mm
	To Suit D-Max	45845FE	195mm
To Suit LDV	To Suit Cannon	45853FE	230mm
To Suit Mazda	To Suit BT50	45727FE	190mm
To Suit Mercedes	To Suit X-Class	45716FE	105mm
To Suit Mitsubishi	To Suit Triton	45715FE	210mm
To Suit Nissan	To Suit Navara D40	45716FE	105mm
	To Suit Navara NP300	45716FE	105mm
	To Suit Patrol Y62	45740FE	130mm

Make	To Suit Model	Part No.	OEM Spring Seat Height
To Suit RAM	To Suit RAM 1500 DS	45855FE	185mm
To Suit Renault	To Suit Alaskan	45716FE	105mm
To Suit Toyota	To Suit Prado 90 / 95	45691FE	163mm
	To Suit Hilux / Fortuner 2005-2014	45710FE	229mm
	To Suit Hilux / Fortuner 2015+	45730FE	224mm
	To Suit Prado 120	45710FE	214mm
	To Suit Prado 150 2009-10/2017	45750FE	214mm
	To Suit Prado 150 11/2017+	45710FE	214mm
	To Suit FJ Cruiser / Tacoma	45710FE	214mm
	To Suit Landcruiser 200	45720FE	220mm
	To Suit Landcruiser 300	45883FE	237mm
	To Suit Tundra	45780FE	245mm with TOY063 Coil
	To Suit Tundra 3rd Gen	45002FE	176mm



Foam Cell Pro Struts feature a threaded body for ride height adjustment. Use IRONMAN 4X4, P/N# ISHOCKTOOL001 wrench when making adjustments. It may be necessary to unload the spring tension before making adjustments.

When setting ride height use the OEM shock absorber as a reference for spring / seat height, or refer table above.

Many independent suspension systems incorporating struts operate at a 2:1 motion ratio. For every 1mm of movement (compression or extension) at the strut, equates to 2mm movement when measured at the wheel. This MUST be considered when adjusting seat height. For example a 10mm seat height adjustment will provide 20mm change in ride height.

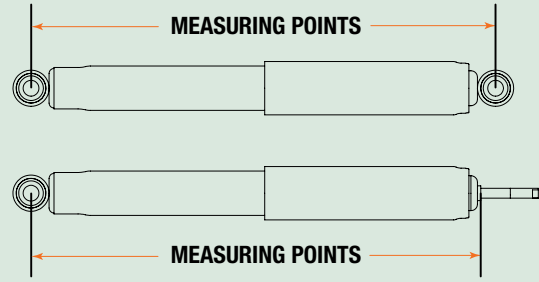
Independent suspension MUST maintain at least 60mm downward travel from ride height. Raising ride height too high can damage the suspension components, impair suspension operation and safety.



ISHOCKTOOL001 Multi-tool for shock absorber service and strut ride height adjustment

Steering Dampers

STEERING DAMPER MEASUREMENT REFERENCE

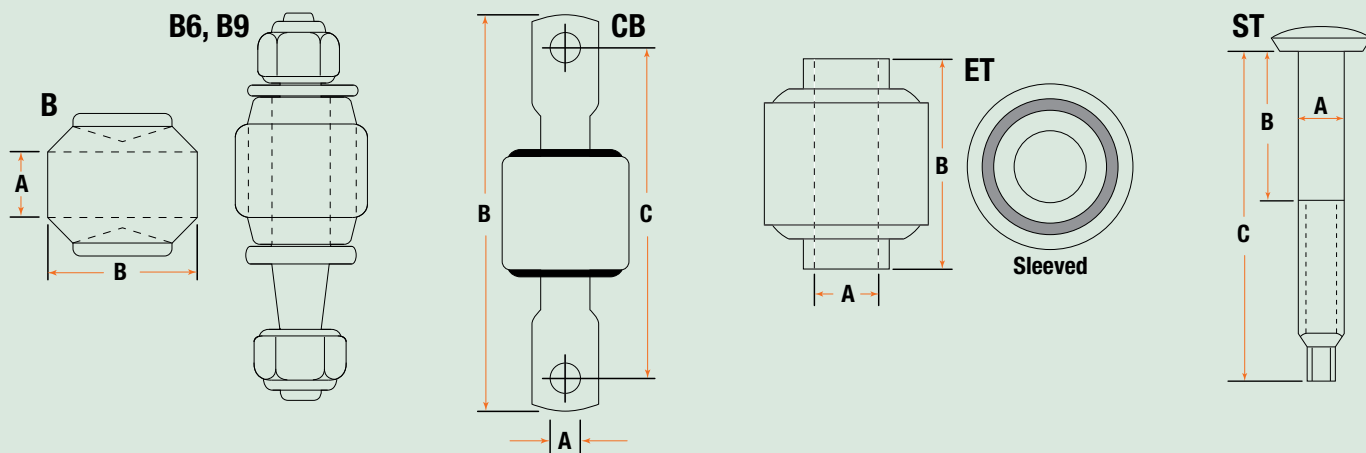


Part Number	Extended (mm)	Compressed (mm)	Upper Mount Type	Upper Replacement	Lower Mount Type	Lower Replacement
3501	550	345	B9	B9MK	B9	B9MK
3502	655	394	ET65	-	ET65	-
3511	525	310	ST1	2244K	ST1	2244K
3517	609	368	B6	-	B6	-
3521	540	340	ST1	2244K	B9	B9MK
3521S	487	293	ST1	2244K	ST1	2244K
3522	541	331	B1	632RF	B1	632RF
3523	458	322	B9	B9MK	B9	B9MK
3524	648	423	B9	B9MK	B9	B9MK
3525	748	443	B9	B9MK	B9	B9MK

Part Number	Extended (mm)	Compressed (mm)	Upper Mount Type	Upper Replacement	Lower Mount Type	Lower Replacement
3530	445	290	ET17	ET17	ET17	ET17
3532	677	439	ST1	2244K	ET57	-
3533	613	368	ET109	-	B9	B9MK
3534	577	350	ET17	ET17	B1	632RF
3536	487	292	ST1	2244K	ST1	2244K
3540	480	298	B1	632RF	ET65	-
3541	528	332	ET65	-	ET65	-
3542	622	419	ET17	-	B1	-
3543	725	520	ET65	-	ET65	-
3544	535	338	ET65	-	ET65	-

Shock Absorber Mount Types

SHOCK ABSORBER MOUNTS MEASUREMENT REFERENCES

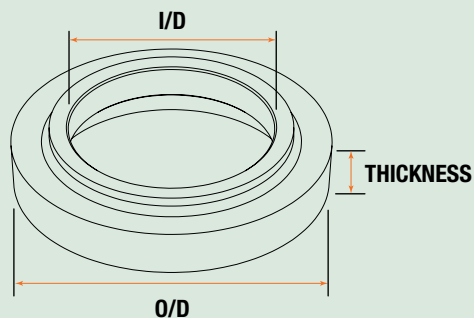


Type	A Diameter	B Length	
B1	16	36	
B2	19	43.5	
B5	15.5	33	
B6	16	36	Adaptor
B9	16	36	Adaptor
CB			
CB20	13	95	77
CB34	11	97	75
CB35	10	90	80
CB7	11.5	78	62
CB159	10	116	95.5
CB160	11.5	128	100
ET			
ET104	20	43	
ET109	10	24.1	
ET113	16	38.5	
ET113-1	16	38.5	Sleeved
ET141	12	41	
ET142	16	36.5	
ET153	14	40	Sleeved
ET153-1	14	40	Sleeved
ET153-2	14	41.5	Sleeved
ET153-3	14	41.5	Sleeved
ET154	16	38	Sleeved
ET155	20	49.5	Sleeved
ET158	14	50	Sleeved
ET158-1	14	50	Sleeved
ET158-2	14	50	Sleeved
ET159	14	48	Sleeved
ET160	14	53	Sleeved
ET161	16	70	
ET162	14	61.5	Sleeved

Type	A Diameter	B Length	
ET163	16	32.5	Sleeved
ET164	14.5	43	
ET165	20	55	
ET17	12	31.5	
ET172	12.4	43.5	
ET173	13	42.5	
ET174	12	38	Sleeved
ET175	12.2	38	Sleeved
ET176	16	38	
ET177	12	32	Sleeved
ET180	13	70	
ET181	13	40	
ET19	12	46	
ET24	12.5	36	
ET34	14	41.5	
ET36	19	44	
ET38	19	45.5	
ET38-1	14	38	
ET38-2	12	39	
ET57	10	26.1	
ET61	12	46	
ET65	12	36	Sleeved
ET69	12	40	Sleeved
ET83	12	37.5	Sleeved
ST			
ST1	10	26	60
ST10	12	39	64
ST21	17	59	84
ST38	14	43	70
ST38-1	14	43	70
ST42	Rectangle M12	44	80
ST6	11	34	65

Trim Packers

TRIM PACKER MEASUREMENT REFERENCE

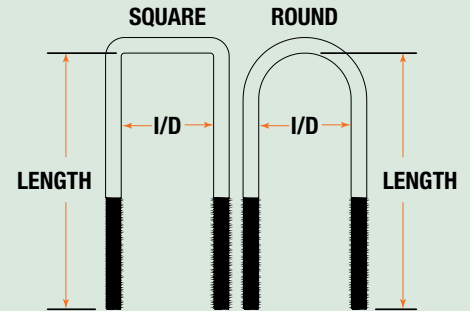


Part Number	O/D	I/D	Thickness	Material
HILFR05	63	54.5	5	Steel
HILFR05F	63	60.5	5	Steel
HILFR10	63	54.5	10	Steel
HILFR10F	63	60.5	10	Steel
HILFR15	63	54.5	15	Steel
HILFR15F	63	60.5	15	Steel
LC70F30	138	86	30	Polyurethane
LCF20	160	114.5	20	Polyurethane
LCF30	160	114.5	30	Polyurethane

Part Number	O/D	I/D	Thickness	Material
LCPR20	168	108	20	Polyurethane
LCPR25	168	108	25	Polyurethane
LCR15	187	133.5	15	Polyurethane
LCR30	187	133.5	30	Polyurethane
PATF15	172	116	15	Polyurethane
PATF30	172	116	30	Polyurethane
PATR15	180	120	15	Polyurethane
PATR30	180	120	30	Polyurethane

U-Bolts and Load Plus Helper Springs

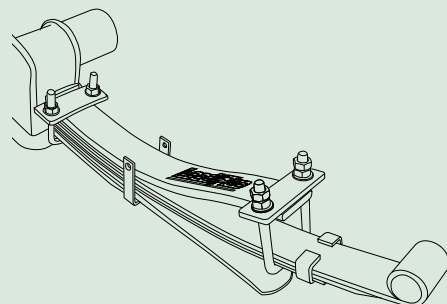
U-BOLTS MEASUREMENT REFERENCE



Part Number	Type	Length	I/D	Thread	Tension Nm
415UBK	Round	215	83	M14 X 1.5 X 100	125
416UBK	Round	230	83	M14 X 1.5 X 100	125
416UBKL	Round	250	83	M14 X 1.5 X 100	125
417UBK	Round	220	88	M14 X 1.5 X 80	125
436UBK	Square	230	73	M14 X 1.5 X 100	125
437UBK	Square	175	62	M14 X 1.5 X 100	125
437UBKL	Square	190	62	M14 X 1.5 X 100	125
438UBK	Square	200	66	M14 X 1.5 X 100	125
449UBK	Square	230	83	M14 X 1.5 X 100	125
449UBKL	Square	240	81	M14 X 1.5 X 100	125
449UBKL1	Square	265	81	M14 X 1.5 X 100	125
451UBK	Round	190	75	M12 X 1.5 X 75	75
452UBK	Square	120	63	M12 X 1.5 X 75	75
453UBK	Round	230	97	M14 X 1.5 X 100	125

Part Number	Type	Length	I/D	Thread	Tension Nm
512UBK	Round	160	70	M12 X 1.5 X 65	75
654UBK	Round	165	82	M12 X 1.5 X 75	75
655UBK	Round	140	70	M12 X 1.5 X 65	75
668UBK	Square	230	73	M14 X 1.5 X 100	125
669UBK	Square	230	73	M14 X 1.5 X 100	125
670UBK	Round	230	95	M14 X 1.5 X 100	125
678UBK	Square	200	62	M14 X 1.5 X 70	125
788UBK	Square	190	63	M12 X 1.25 X 65	75
1100UBK	Round	230	110	M14 X 1.5 X 100	125
1100UBKL	Round	265	110	M14 X 1.5 X 100	125
1102UBK	Square	155	72	M12 X 1.5 X 65	75
1103UBK	Round	185	72	M14 X 1.5 X 100	125
1104UBK	Round	200	83	M14 X 1.5 X 100	125
1106UBK	Square	205	92	M14 X 1.5 X 75	125

LOAD PLUS HELPER SPRINGS



Part Number	Width	Thickness	Length	Mounting Kit	U-Bolt
LP1	60	12	425	LP3-1	LP3-2
LP2	60	12	420	LP3-1	LP3-2
LP3	60	12	442	LP3-1	LP3-2
LP4	70	12	442	LP4-1	LP4-2

Part Number	Width	Thickness	Length	Mounting Kit	U-Bolt
LP5	50	8	310	LP5-1	LP5-2
LP7	75	12	438	LP7-1	LP7-2
LP9	70	16	435	LP9-1	LP9-2

Suspension Arm Rubber Bush Kits

WITH STANDARD RADIUS ARM BUSHES

Model	Part Number	Contents	Position	Qty Per Kit
TO SUIT NISSAN PATROL Y60 GQ 1989 - On TO SUIT NISSAN PATROL Y61 GU WAGON Pre 2/2000	839RK	832RT	Radius Arm - Diff	4
		833R	Radius Arm Chassis	4
		836RT	Trailing Arm	8
		834RT	Panhard Rod - Chassis	2
		840RT	Panhard Rod - Diff	2
TO SUIT NISSAN PATROL Y61 GU WAGON 2/2000 - On	848RK	832RT	Radius Arm - Diff	4
		833R	Radius Arm Chassis	4
		836RT	Trailing Arm	8
		848RT	Panhard Rod - Chassis	2
		840RT	Panhard Rod - Diff	2
TO SUIT TOYOTA LANDCRUISER 80/105	847RK	832RT	Radius Arm - Diff	4
		846RT	Radius Arm Chassis	2
		844RT	Trailing Arm Upper	4
		843RT	Trailing Arm Lower	4
		841RT	Front Panhard Rod	2
		845RT	Rear Panhard Rod	2

WITH 2° OFFSET RADIUS ARM BUSHES

Model	Part Number	Contents	Position	Qty Per Kit
TO SUIT NISSAN PATROL Y60 GQ 1989 - On TO SUIT NISSAN PATROL Y61 GU WAGON Pre 2/2000	839CRK	1144R	Radius Arm - Diff Offset	4
		833R	Radius Arm Chassis	4
		836RT	Trailing Arm	8
		834RT	Panhard Rod - Chassis	2
		840RT	Panhard Rod - Diff	2
TO SUIT NISSAN PATROL Y61 GU WAGON 2/2000 - On	848CRK	1144R	Radius Arm - Diff Offset	4
		833R	Radius Arm Chassis	4
		836RT	Trailing Arm	8
		848RT	Panhard Rod - Chassis	2
		840RT	Panhard Rod - Diff	2
TO SUIT TOYOTA LANDCRUISER 80/105	847CRK	1144R	Radius Arm - Diff Offset	4
		846RT	Radius Arm Chassis	2
		844RT	Trailing Arm Upper	4
		843RT	Trailing Arm Lower	4
		841RT	Front Panhard Rod	2
		845RT	Rear Panhard Rod	2

STRUT COMPRESSOR

Part No. IBSC7600

IRONMAN 4X4 Strut Compressor

by **Branick**

IRONMAN 4X4 have teamed with Branick to bring you the industry leading 7600 model strut compressor. The 7600 is the top of the line strut compressor and provides a safe and efficient way to assemble and disassemble struts.

Key Features:

- Increases workshop profitability
- Safer and easier than alternate methods
- Handles the heaviest 4WD struts
- Has long handles for extra torque
- Multi-position spring hooks
- Has a long compression stroke
- Does not require adapters
- Heavy duty acme thread
- Versatile mounting options
- All-steel construction
- Increase productivity
- Made in USA



{ IRONMAN }
4X4

FAQ / Troubleshooting

Can I assemble struts at home?

In most cases, no. IRONMAN 4X4 recommend strut assembly be performed only by a qualified automotive mechanic using specialised strut compressor equipment.

Assembled struts store large amounts of sprung energy. Only mechanics with necessary tools and equipment should attempt to disassemble or assemble a strut. Mishandling of strut assemblies can result in severe injury or death.

Never loosen or remove strut centre top nut until all spring energy is retained within a high quality strut compressor.

The shock absorber appears to be leaking.

Upon initial use, there may be an oily residue or a small amount of oil originating from the rod seal and surrounding parts, this is referred to as manufacturing overflow.

Oil can be trapped in the seal during assembly and released during transport or initial operation. This is considered normal and should be wiped clean prior to installation or after first use. If oil continues to appear, the shock absorber may be leaking and it should be replaced.

The shock absorber does not self-extend with gas pressure.

IRONMAN 4X4 Nitro Gas shock absorbers will self-extend due to pressurised nitrogen gas contained within, the rate of gas extension offers little relevance in determining the health or performance of the shock absorber.

IRONMAN 4X4 Foam Cell shock absorbers will NOT self-extend like a gas pressurised shock absorber as they do not contain gas pressure - A Foam Cell shock absorber will generally feel firmer to extend than it will to compress.

If a gas shock absorber fails to self-extend, this may not indicate a problem, it may simply be due to a dry or dirty piston rod, firm valving resistance or due to low gas pressure design. This does not adversely affect performance.

Avoid removing the thin film of oil from the piston rod, it is required for smooth seal operation and lubrication. A light oil may be used to rejuvenate the seal if a squeak is present.

The shock absorber appears damaged.

All IRONMAN 4X4 shock absorbers are twin tube construction, this means they are very resilient to damage from rocks and debris. The outer tube can tolerate dents providing no puncture exists, the shock absorber will still function as intended.

Do not allow mud or debris to accumulate for extended periods around suspension components, clean and rinse as soon as practical.

Dust shields or rubber protective boots are provided by IRONMAN 4X4 to protect the piston rod from rock and debris damage.

Spare parts such as bushes, boots and dust shields are often available as spare parts if required.

The lower strut bushes have perished.

This is most likely as a result of the bushes being tightened without neutralisation.

Never tighten shock absorber bushes until the vehicle is lowered to the ground.

Leave eye ring mounts finger tight ONLY, until the vehicle is lowered to the ground at normal ride height, failure to do this can damage the rubber bond due to twisting resulting in premature bush wear.

This is particularly important for load bearing lower strut bush applications.

Once the vehicle is lowered to the ground, only then tighten to specified tensions.

Can I re-use my original rubber spring bushes?

IRONMAN 4X4 always recommends to renew leaf spring bushes with polyurethane when new springs are fitted. The extended range of travel provided by Ironman leaf springs and longer shock absorbers can over-rotate and damage the rubber material. In all cases when a silent block press fit bush is used, it cannot be transferred to an IRONMAN 4X4 leaf spring.

Original two-piece rubber bushes will fit IRONMAN 4X4 leaf springs, however it is not recommended. When greased, polyurethane allows greater rotational freedom on the shackles pins when compared to rubber.

Does polyurethane require re-greasing?

Yes, polyurethane bushes should be re-greased as part of a regular maintenance schedule.

IRONMAN 4X4 recommend a Molybdenum Disulphide based grease or other grease specified for use with polyurethane.

Can I use IRONMAN 4X4 shock absorbers with original springs?

Yes, in all cases. (Except those specified for racing or offroad only applications such as 4" or 6" lift). IRONMAN 4X4 design all suspension components to be compatible with OEM suspension components.

For optimal performance, IRONMAN 4X4 do recommend Ironman 4X4 shock absorbers are fitted as part of an integrated suspension system comprising IRONMAN 4X4 springs.

Can I use IRONMAN 4X4 springs with original shock absorbers?

Yes, in all cases. (Except those specified for racing or offroad only applications such as 4" or 6" lift). IRONMAN 4X4 design all suspension components to be compatible with OEM suspension components.

For optimal performance, IRONMAN 4X4 do recommend IRONMAN 4X4 springs are fitted as part of an integrated suspension system comprising IRONMAN 4X4 shock absorbers.

The springs appear to be sagging.

Refer to completed installation form to measure and compare with new ride height.

IRONMAN 4X4 design an array of different springs to suit different load applications. It is imperative the correct spring is selected for the expected loads.

Installing a spring which is too soft for the load will result in loss of expected ride height. Installing a spring which is too strong for the load will result in excessive ride height.

To properly determine whether a spring has sagged or is under-specified, the spring must be removed from the vehicle and free height checked against the original specification found in suspension catalogue.

Depending on spring size and rate, a loss of up to 10mm due to natural steel relaxation is considered normal.

Natural settling is expected within the first 2-3 months, after which the springs are expected to maintain height.

If a spring has lost more than 10mm free height from new, they may require replacement.

FAQ / Troubleshooting

The vehicle is leaning to one side.

Refer to completed installation form to measure and compare with new ride height.

If a vehicle is leaning down on one corner, firstly ensure the vehicle is on level ground and then assess the weight distribution to ensure even placement of load and accessories.

Many vehicle models exhibit an uneven weight distribution from factory, IRONMAN 4X4 adjust the spring height accordingly to level the vehicle.

Check if springs are designated for Drivers Side (D/S) or Passengers Side (N/S) and ensure they are installed to the correct location.

Typically the taller coils should be fitted to the heavier side of the vehicle.

The vehicle is leaning towards front or back.

Refer to completed installation form to measure and compare with new ride height.

Typically if the vehicle is level from side to side, but down at front or back, indicates incorrect spring selection. Check springs are correctly specified to match the load and accessories.

Vehicles which feature independent suspension are generally subject to a 2:1 motion ratio, meaning that for every 1mm of movement at the spring, the ride height is affected 2mm.

This is particularly important when assessing spring settling or sag. Natural settling of 10mm at the spring will result in 20mm setting of ride height. Settling of new rubbers and bushes should also be factored as they will contribute a few additional mm.

The shock absorber feels too soft or inconsistent when compressed.

Prime the shock absorber by fully pumping it upright 2-3 times, ensuring the pressure chambers are fully purged of gas or air bubbles.

The shock absorber will generally feel firmer to extend than it will to compress.

The ride height is too high or banging over bumps.

Independent suspension operates with limited wheel travel. IRONMAN 4X4 design springs to increase the ride height a prescribed amount within the safe limits of the original vehicles design.

If incorrectly specified springs or additional spacers are fitted, the ride height may be excessive causing the strut to reach its upper limit "top out" during motion.

As a general rule, IRONMAN 4X4 recommend a MINIMUM of 60mm downward travel available in the suspension, otherwise referred to as "droop".

To establish ride height in relation to maximum height, a droop measurement will be required.

DROOP MEASUREMENT

- 1) Measure and record the vertical rim to guard distance with the vehicle on flat level ground.
- 2) Raise and support the vehicle with front or rear wheels hanging.
- 3) Measure and record the vertical rim to guard distance with the wheels fully hanging.

The difference between the two measurements is the amount of downward droop the suspension has available to it.

The minimum droop distance should be no less than 60mm fully settled.

If droop is less than 60mm, a reduction in handling performance will be experienced, possibility of damage to suspension, driveline and tyre wear can be a factor. In this case the ride height must be lowered.

There is a squeak coming from the suspension.

A squeak can originate from any number of sources or for many reasons. The most effective method to diagnose and resolve a squeak is to perform a systematic approach to locating the source. Make note of what conditions cause the squeak, ie. large bumps, small bumps, wet weather, cornering etc. Also note the type of noise whether it appears to be from a soft rubber / plastic origin or hard steel origin.

Attempt should be made to simulate the condition, such as bouncing the vehicle whilst listening to locate the source, it may be required to enlist a second person to bounce the vehicle whilst another accesses the underneath of the vehicle closely to pin point the exact location.

Typical sources for noise include:

- Dry or broken bushes
- Loose or misaligned components
- Bent or damaged components
- Steel to Steel friction
- Under-tensioned bolts

The suspension appears to be rusty.

In many cases, damage to spring or shock absorber coating is unavoidable due to impacts with stones and debris. In some instances light surface rusting may appear on exposed steel if coating becomes damaged. This will not affect the performance of the product however may be unsightly. Take care when using a high pressure washer or strong chemicals during cleaning as this can further compromise the coating leading to greater exposure.

Care should be taken during installation to ensure components are not scratched or damaged which may result in exposure of the underlying steel.

Vehicles operating in salty environments may experience further accelerated surface rusting.

There is a vibration after fitting the suspension.

This is a known issue in some vehicles after ride height has been raised. It is caused by the change in angle within the driveline, most commonly in vehicles with 2 piece driveshafts.

In many cases where vibration is a common factor, IRONMAN 4X4 offer a solution such as a driveline spacer kit to adjust the angles of the driveshaft. The spacer kits are used to adjust the location of the centre bearing with view to reduce the vibration to a satisfactory level.

Each vehicle can vary in severity, some may not be fully rectified after the re-alignment. In such cases axle wedges or a reduction in ride height may be required.

Can I adjust the strut seat height?

IRONMAN 4X4 struts feature an adjustable height spring seat. 12xxx & 24xxx series struts utilise a trim packer system, 45xxx series struts utilise a threaded strut body.

Seat height cannot be adjusted whilst in vehicle, strut must be removed from vehicle with spring tension unloaded to enable adjustment.

The purpose of this adjustment feature is to allow recalibration of ride height following the installation of heavy accessories or to compensate spring settling.

Not to be used as a variable ride height system.

An increase in seat height beyond OEM specifications may result in excessive lift and non-compliance to state or federal laws.

A minimum 60mm suspension droop must be available at all times.

ACCESSORIES SPECIFICATIONS

Effective 1 June 2024

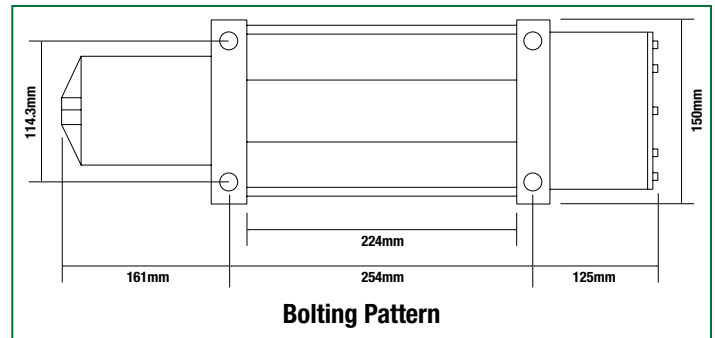


{ IRONMAN }
4X4

Winches

WINCHES

	Part Number	Capacity	Cable Material	Cable Length / Diameter	Break Load	Motor	Gear Train / Reduction Ratio	Hand Control Range	Brake	Battery	Dimensions L x W x H	Weight
FRONTIER	IMW9500MSR	4.75t (9,500lb)	Synthetic Rope	25m / 9.5mm (82ft / 3/8")	8,616Kg (19,000lb)	4.5hp / 4.1kw Series Wound	3-Stage Planetary 218:1	Wireless - 30.5m (100ft) Cord - 3.6m (12ft)	Auto Cam Lock-In Brake	650CCA Min. for Winching	535 x 160 x 182mm (21.1 x 6.3 x 7.2")	27.5kg (60.5lb)
	IMW1200MSR	5.4t (12,000lb)	Synthetic Rope	25m / 9.5mm (82ft / 3/8")	8,616Kg (19,000lb)	6.0hp / 4.5kw Series Wound	3-Stage Planetary 218:1	Wireless - 30.5m (100ft) Cord - 3.6m (12ft)	Auto Cam Lock-In Brake	650CCA Min. for Winching	535 x 160 x 182mm (21.1 x 6.3 x 7.2")	28kg (61.6lb)
	IMW9500MWR	4.75t (9,500lb)	Steel	28m / 8.3mm (92ft / 5/16")	6,800kg (15,000lb)	5.5hp / 4.1kw Series Wound	3-Stage Planetary 218:1	Wireless - 30.5m (100ft) Cord - 3.6m (12ft)	Auto Cam Lock-In Brake	650CCA Min. for Winching	535 x 160 x 182mm (21.1 x 6.3 x 7.2")	37.5kg (82.5lb)
	IMW1200MWR	5.4t (12,000lb)	Steel	26m / 9.5mm (85ft / 3/8")	8,164kg (18,000lb)	6.4hp / 4.5kw Series Wound	3-Stage Planetary 218:1	Wireless - 30.5m (100ft) Cord - 3.6m (12ft)	Auto Cam Lock-In Brake	650CCA Min. for Winching	535 x 160 x 182mm (21.1 x 6.3 x 7.2")	38kg (83.6lb)
MONSTER	WWB9500SR	4.3t (9,500lb)	Synthetic Rope	28m / 8mm (91ft / 5/16")	?	5.5hp / 4.1kw Series Wound	3-Stage Planetary 265:1	Wireless - 30.5m (100ft) Cord - 3.6m (12ft)	Auto Cam Lock-In Drum	650CCA Min. for Winching	562 x 215 x 156mm (22.2 x 8.5 x 6.2")	28kg (62lb)
	WWB12000SR	5.4t (12,000lb)	Synthetic Rope	28m / 9mm (91ft / 23/64")	?	6.4hp / 4.5kw Series Wound	3-Stage Planetary 265:1	Wireless - 30.5m (100ft) Cord - 3.6m (12ft)	Auto Cam Lock-In Drum	650CCA Min. for Winching	562 x 215 x 156mm (22.2 x 8.5 x 6.2")	29kg (64lb)
	WWB9500	4.3t (9,500lb)	Steel	28m / 8.3mm (91ft / 21/64")	?	5.5hp / 4.1kw Series Wound	3-Stage Planetary 265:1	Wireless - 30.5m (100ft) Cord - 3.6m (12ft)	Auto Cam Lock-In Drum	650CCA Min. for Winching	562 x 215 x 156mm (22.2 x 8.5 x 6.2")	42kg (92.5lb)
	WWB12000	5.4t (12,000lb)	Steel	28m / 9.5mm (91ft / 3/8")	?	6.4hp / 4.5kw Series Wound	3-Stage Planetary 265:1	Wireless - 30.5m (100ft) Cord - 3.6m (12ft)	Auto Cam Lock-In Drum	650CCA Min. for Winching	562 x 215 x 156mm (22.2 x 8.5 x 6.2")	44kg (97lb)



WINCH TROUBLESHOOTING

Problem	Possible cause	Possible solution
Winch not operating	Flat battery in vehicle.	Replace or recharge battery. NOTE: Winch should always be connected to the main battery, not auxiliary battery.
	Flat battery in wireless remote controller.	Replace battery or use the plug-in controller.
	Winch has been wired incorrectly.	Check all wiring is correct as shown in the installation manual.
	Poor motor earth.	Make sure earth cable for the motor is connected to the main battery.
	Poor control box earth.	Make sure small earth wire for the control box is securely connected to a good earth (eg. Earth stud on winch motor).
Wireless activator or the plug-in hand controller are not connected to control box.	Connect wireless activator or the plug-in hand controller to the control box, ensuring the hand controller is switched to the correct mode.	
Hand controller will not operate.	Incorrect mode selected on hand controller.	Select wireless or plug-in mode on the hand controller.
Winch operates in wrong direction.	Cable spooled in the wrong direction on the drum.	Ensure the cable is spooled on in the direction as indicated on the winch housing.
	Winch has been wired incorrectly.	Check all connections to the motor are as shown in the installation manual.
Winch only operates in one direction.	Winch has been wired incorrectly.	Check all connections to the motor are as shown in the installation manual.
Brake will not hold on hills.	Cable spooled in the wrong direction on the drum.	Ensure the cable is spooled on in the direction as indicated on the winch housing.
Clutch handle is difficult to rotate.	Load has not been released from cable.	Using the hand controller, spool cable out slightly to release the load from the cable.
Winch motor gets hot during winching.	This is quite normal.	Winch needs to be checked regularly during winching. If winch motor is uncomfortably warm to touch, cease operation until winch has cooled down.
Winch will not free-spool.	Clutch handle is in the 'Engage' position.	Rotate handle to the 'Disengage' position.
	Uneven winch mounting surface.	Ensure winch mounting surface is flat, not distorted and winch mounting bolts are tight.
Winch motor operates, but cable drum does not turn.	Clutch handle is in the 'Disengage' position.	Rotate handle to the 'Engage' position.

Bull Bars

BULL BARS

IMPORTANT: IRONMAN 4X4 BULL BARS CONFORM TO AUSTRALIAN STANDARDS AS47861.1/2002

- Scanned in 3D to ensure a correct and accurate fit with a stylish, but dependable design
- IRONMAN 4X4 bull bars are tested for ADR, Airbag compliance and compatibility with vehicle safety systems
- Made from the highest quality of SPHC oil and pickled steel (not mild steel) for maximum strength and highest resistance to rust
- IRONMAN 4X4 bull bars are CNC laser cut, bent and robot welded for optimum accuracy and finish
- IRONMAN 4X4 designed and engineered to ensure Airbag compatibility
- Winch compatible and use a unique mounting cradle to remove excess weight from the bull bar
- Black powdercoating using AKZO NOBEL powder (YN100G) allows a thicker, smoother and more durable coating
- IRONMAN 4X4 designed aerial mount for quick installation and removal of an aerial
- Integrated spot light or light bar mounts



360° ROBOT WELDS



FOG LIGHTS



**LED PARKER /
INDICATOR LIGHTS**



**SPOT OR LIGHT BAR
MOUNTS**



AERIAL MOUNT

COMMERCIAL

- ADR 69, 73 compliant
- Air bag tested and certified
- Winch compatible
- Aerial mount
- Steel construction
- A-Frame triple loop design
- Tough polyurethane bumpers
- LED parker / indicator included

BBC



COMMERCIAL DELUXE

- ADR 69, 73 compliant
- Air bag tested and certified
- Winch compatible
- Aerial mount
- Steel construction
- A-Frame triple loop design
- Tough polyurethane bumpers
- Fog lights (55W H3)
- LED parker / indicator included

BBCD



Bull Bars

BULL BARS

PROTECTOR

- ADR 69, 73 compliant
- Air bag tested and certified
- Winch compatible
- Aerial mount
- Steel construction
- Stainless steel triple loop design
- Tough polyurethane bumpers
- Fog lights (55W H3)
- LED parker / indicator included

BBT



Discontinued range

POLISHED ALLOY

- ADR 69, 73 compliant
- Air bag tested and certified
- Winch compatible
- Aerial mount
- 5mm aluminium frame
- 5mm sub frame
- 35% lighter than steel
- A-Frame triple loop design
- Tough polyurethane bumpers
- LED parker / indicator included

BBA



Discontinued range

PROGUARD NO LOOP

- ADR 69, 73 compliant
- Air bag tested and certified
- Winch compatible
- Steel construction
- Tough polyurethane bumpers
- Fog lights (55W H3)
- LED parker / indicator included
- Single or triple loop options available

BBT



PREMIUM COMMERCIAL DELUXE

- ADR 69, 73 compliant
- Air bag tested and certified
- 60.3mm steel tube construction
- Winch compatible
- Aerial mount
- A-Frame triple loop design
- Tough polyurethane bumpers
- Fog lights (55W H3)
- LED parker / indicator included

BBP



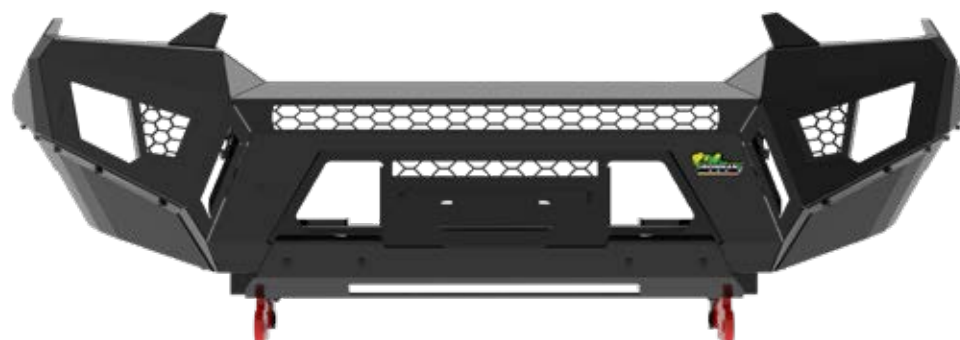
Panel Protection and Recovery

APEX

- ADR 69, 73 compliant
- Air bag tested and certified
- 60.3mm steel tube construction
- Winch compatible
- Aerial mount
- A-Frame triple loop design
- Tough polyurethane bumpers
- Fog lights (55W H3)
- LED parker / indicator included

BBP**RAID SERIES**

- ADR 69, 73 compliant
- Air bag tested and certified
- Winch compatible
- Steel construction
- Integrated recovery points
- Cube lights and lightbars shown are available as additional options

BBR

Please refer to vehicle listing page for any special fitting instructions or directions

Vehicle Quick Reference Guide

TO SUIT VEHICLE MAKE AND MODEL	Commercial Bar	Deluxe Bar	Proguard Bar	Premium Bar	Apex Bar	Apex Bar Kit	Rapid Bar	Raid Bar Kit	Special Bar	Recovery Points	Top Bar	Rear Step Bar	Side Steps	Side Rails	Steps & Rails	Prem. Side Steps	Prem. Side Rails	Prem. Steps & Rails	Underbody Prot.	Snorkels	Slide-Away	Platform Rack Kit	Crossbar Kit	ABS / Pin. Canopy	Fender Flares	Page
	Nissan Pathfinder R51 2010+	✓																		✓						211
Nissan Patrol Y62 2020+			✓	✓		✓	✓		✓						✓	✓	✓								214	
Nissan Patrol Y62 2010-2019			✓	✓																					214	
Nissan Patrol Y61 GU Series 4 2005+			✓									✓				✓									216	
Nissan Patrol Y61 GU Series 1-3 1998-2004	✓								✓			✓		✓											217	
Nissan Patrol Y60 GQ 1987-1997	✓																		✓						225	
Ram 1500 DT 6/2018+				✓	✓	✓						✓	✓					✓			✓	✓			235	
Ram 1500 DS 2014+			✓			✓						✓	✓					✓			✓	✓			236	
Renault Alaskan 2017+	✓	✓	✓							✓	✓	✓	✓	✓				✓							240	
SsangYong Musso Q200 / 250 5/2021+	✓								✓									✓			✓				243	
SsangYong Musso Q200 / 201 / 205 10/201-4/2021	✓																	✓			✓				243	
SsangYong Rexton Y400 10/2018+	✓																	✓							247	
Subaru Forester 2019+																							✓		248	
Subaru Outback 2015+																							✓		250	
Subaru XV Crosstrek 2018+								✓															✓		251	
Suzuki Jimny XL 5-Door 2024+	✓							✓	✓			✓							✓			✓			252	
Suzuki Jimny GJ 3-Door 2019+	✓							✓	✓			✓							✓	✓		✓			252	
Suzuki Jimny 2012-2018	✓																								254	
Suzuki Grand Vitara 2012+	✓																								256	
Toyota 4Runner Gen 5 N280 2009+						✓						✓	✓						✓						260	
Toyota FJ Cruiser 2006+	✓																		✓						266	
Toyota Fortuner 2015+	✓	✓							✓			✓	✓	✓				✓	✓						268	
Toyota Hilux Rogue / GR Sport 2022+	✓	✓				✓	✓		✓			✓	✓	✓				✓	✓	✓	✓	✓	✓		273	
Toyota Hilux 2024+	✓	✓		✓		✓	✓		✓			✓	✓	✓				✓	✓	✓	✓	✓	✓		276	
Toyota Hilux (Standard Body) 8/2020-2023	✓	✓	✓		✓	✓	✓		✓	✓	✓	✓	✓	✓				✓	✓	✓	✓	✓	✓		✓	
Toyota Hilux (Narrow Body) 8/2020-2023	✓	✓				✓	✓		✓	✓	✓	✓	✓	✓				✓	✓	✓	✓	✓	✓		✓	
Toyota Hilux Revo 5/2018-7/2020	✓	✓	✓						✓	✓	✓	✓	✓	✓				✓	✓	✓	✓	✓	✓		✓	
Toyota Hilux Revo 2015-4/2018	✓	✓	✓						✓	✓	✓	✓	✓	✓				✓	✓	✓	✓	✓	✓		✓	
Toyota Hilux Vigo 10/2011-2015	✓	✓							✓			✓	✓					✓	✓	✓	✓	✓	✓		✓	
Toyota Hilux Vigo 3/2005-9/2011	✓	✓							✓			✓	✓					✓	✓	✓	✓	✓	✓		✓	
Toyota Hilux Tiger 1997-2004	✓	✓																							288	
Toyota Landcruiser 300 Series 2022+	✓	✓		✓		✓	✓		✓						✓		✓	✓	✓	✓		✓			292	
Toyota Landcruiser 200 Series 11/2015+			✓	✓	✓	✓	✓		✓						✓	✓	✓	✓	✓	✓		✓	✓		294	
Toyota Landcruiser 200 Series / Lexus LX 570 11/2007-10/2015				✓	✓				✓									✓	✓						296	
Toyota Landcruiser 105 Series 3/1998-10/2007	✓								✓											✓					298	
Toyota Landcruiser 100 Series / Lexus LX470 3/1998-10/2007	✓								✓											✓					300	
Toyota Landcruiser 80 Series / Lexus LX 450 1990-1998	✓								✓											✓					302	
Toyota Landcruiser 79 Series Single Cab 9/2016+	✓			✓		✓	✓		✓			✓	✓	✓	✓	✓	✓	✓	✓	✓					305	
Toyota Landcruiser 79 Series Single Cab 2007-8/2016	✓			✓					✓			✓	✓	✓				✓	✓	✓					305	
Toyota Landcruiser 79 Series Single Cab 1999-2007	✓																			✓					305	
Toyota Landcruiser 79 Series Dual Cab 2024+	✓	✓		✓	✓	✓	✓								✓	✓	✓								307	
Toyota Landcruiser 79 Series Dual Cab 2012-2023	✓			✓	✓	✓	✓		✓			✓	✓	✓	✓	✓	✓	✓	✓			✓	✓		308	
Toyota Landcruiser 78 Series Troop Carrier 2024+				✓	✓	✓	✓		✓																311	
Toyota Landcruiser 78 Series Troop Carrier 2007-2023	✓			✓		✓	✓		✓										✓	✓					311	
Toyota Landcruiser 78 Series Troop Carrier 1999-2007+	✓																			✓					315	
Toyota Landcruiser 76 Series 2024+				✓	✓	✓	✓		✓																319	
Toyota Landcruiser 76 Series 2007-2023	✓			✓		✓	✓		✓			✓	✓						✓	✓					319	
Toyota Landcruiser 75 Series 1984-1999	✓																								322	
Toyota Prado 150 Series Facelift 11/2017+			✓	✓	✓		✓		✓						✓	✓	✓	✓	✓	✓		✓	✓		338	
Toyota Prado 150 Series 10/2013-10/2017	✓	✓							✓			✓	✓	✓					✓	✓	✓	✓	✓		341	
Toyota Prado 150 Series 11/2009-10/2013	✓								✓			✓	✓	✓											341	
Toyota Prado 120 Series 4/2003-10/2009	✓											✓	✓												344	
Toyota Prado 90, 95 Series 1996-10/2002	✓																								346	
Toyota Rav4 2019+								✓		✓									✓				✓		347	
Toyota Sequoia 2022+				✓																					349	
Toyota Tacoma / Sport 2024+				✓		✓	✓					✓	✓					✓							350	
Toyota Tacoma 2005-2023						✓	✓					✓	✓					✓			✓				352	
Toyota Tundra 2022+				✓		✓	✓					✓	✓					✓			✓				356	
Toyota Tundra 2013-2021						✓	✓					✓	✓					✓			✓				358	
Volkswagen Amarok 2023+				✓	✓	✓	✓		✓	✓		✓	✓		✓	✓	✓	✓	✓			✓	✓		360	
Volkswagen Amarok V6 / 4 Cyl 11/2016+	✓	✓										✓	✓	✓	✓	✓	✓	✓	✓	✓	✓	✓	✓		362	
Volkswagen Amarok 2011-10/2016	✓											✓	✓	✓	✓	✓	✓	✓	✓	✓	✓	✓	✓		364	

Atlas Racks and Crossbar Kits

ATLAS RACK AND CROSSBAR KITS

* Platform / Crossbar load rating only.
Refer to vehicle manufacturer for specific roof load carrying capacity

Vehicle Make (Suits)	Type / Description	Part Number	Load Rating*	Weight	Dimensions (mm)		
ATLAS PLATFORM RACK KITS TO SUIT			KG	KG	L	W	H
Ford Ranger 2011+	Platform A	IFR054PAK	100	28	1530	1240	50
Ford Ranger Raptor 2018+	Platform A	IFR054PAK	100	28	1530	1240	50
Ford Ranger Wildtrak only 2022+	Platform A	IFR110WTPAK	100	27	1530	1240	50
Ford Ranger Wildtrak only 2011-2022	Platform A	IFR054WTPAK	100	27	1530	1240	50
Ford Everest Ambiente, Trend and Sport only 2022+	Platform E	IFR115TSPEK	100	37	1530	1380	50
Ford Everest Platinum only 2022+	Platform E	IFR115PLPEK	100	37	1530	1380	50
Isuzu D-Max DC only 2020+	Platform A	IFR074PAK	100	27	1530	1240	50
Isuzu MU-X 2021+	Platform E	IFR095PEK	150	37	1530	1380	50
Mazda BT50 2020+	Platform A	IFR074PAK	100	27	1530	1240	50
Mazda BT50 2012 to 2020	Platform A	IFR054PAK	100	28	1530	1240	50
Mitsubishi Pajero Sport 2019+	Platform E	IFR079PEK	100	37	1530	1380	50
Mitsubishi Triton MQ / MR	Platform A	IFR067PAK	100	27	1530	1240	50
Nissan Navara NP300 2015+	Platform B	IFR048PBK	100	29	1530	1380	50
Nissan Patrol Y62	Platform N	IFR062LPNK	100	39	2130	1380	50
Ram 1500 DT Crew Cab 2018+	Platform S	IFR085PSK	100	28	1390	1485	50
Ram 1500 DS Crew Cab 2014+	Platform S	IFR075PSK	100	28	1390	1485	50
Toyota Hilux Rogue Wide Body 2023+	Platform A	IFR065PAK	100	28	1530	1240	50
Toyota Hilux 2015+	Platform A	IFR065PAK	100	28	1530	1240	50
Toyota Hilux 2005 to 2015	Platform A	IFR033PAK	150	28	1530	1240	50
Toyota Landcruiser 200 Series	Platform A	IFR056PAK	150	27	1530	1240	50
Toyota Landcruiser 200 Series	Platform E	IFR056PEK	150	39	2130	1380	50
Toyota Landcruiser 300 Series	Platform A	IFR090PAK	100	27	1530	1240	50
Toyota Landcruiser 300 Series	Platform E	IFR090PEK	100	39	2130	1380	50
Toyota Landcruiser 79 Series D/Cab	Platform S	IFR019PSK	100	28	1390	1485	50
Toyota Prado 150 2009+	Platform E	IFR047PEK	120	37	1530	1380	50
Volkswagen Amarok Core, Life and Style only 2023+	Platform A	IFR054PAK	100	28	1530	1240	50
Volkswagen Amarok Panamericana and Aventura 2023+	Platform A	IFR110WTPAK	100	27	1530	1240	50
To Suit Pinnacle 2 Canopies	Platform K	IFRP2PKK	100	28	1390	1240	50
To Suit Slideaway Hard Tonneau Cover	Platform A	IFRSLDAWAYPSK	100	30	1530	1240	50
To Suit Slideaway Hard Tonneau Cover	Platform G	IFRSLDAWAYPGK	100	30	1390	1240	50
ATLAS CROSSBAR KITS TO SUIT			Load Rating* KG	KG	L	W	H
Ford Ranger Next-Gen only 2022+	Crossbars (2) with Fit Kit	IFR054C2K	100	7	-	1250	-
Ford Ranger Next-Gen Wildtrak only 2022+	Crossbars (2) with Fit Kit	IFRK094	75	8	-	1375	-
Ford Ranger Raptor 2018+	Crossbars (2) with Fit Kit	IFR054C2K	100	7	-	1250	-
Ford Ranger / Wildtrak 2011-2022	Crossbars (2) with Fit Kit	IFR054C2K	100	7	-	1250	-
Great Wall Cannon 2020+	Crossbars (2) with Fit Kit	IFRK094	75	8	-	1375	-
Isuzu D-Max DC X-Terrain only 2019+	Crossbars (2) with Fit Kit	IFR074C2K	100	7	-	1250	-
Jeep Gladiator JT DC 2019+	Crossbars (2) with Fit Kit	IFR077C2K	100	8	-	1650	-
LDV T60 2017+	Crossbars (2) with Fit Kit	IFRK094	75	8	-	1375	-
Mazda BT50 2020+	Crossbars (2) with Fit Kit	IFR074C2K	100	7	-	1250	-
Mazda BT50 2012 to 2020	Crossbars (2) with Fit Kit	IFR054C2K	100	7	-	1250	-
Mitsubishi Triton MQ / MR	Crossbars (2) with Fit Kit	IFR067C2K	100	7	-	1250	-
Nissan Navara NP300 DC 2015+	Crossbars (2) with Fit Kit	IFR048C2K	100	7	-	1250	-
Nissan Navara NP300 ST-X and Pro-4X DC 2021+	Crossbars (2) with Fit Kit	IFRK094	75	8	-	1375	-
Subaru Forester 2019+	Crossbars (2) with Fit Kit	IFRK094	75	8	-	1375	-
Subaru Outback 2015+	Crossbars (2) with Fit Kit	IFRK094	75	8	-	1375	-
Subaru XV Crosstrek 2018+	Crossbars (2) with Fit Kit	IFRK091	75	7	-	1250	-
Subaru XV Crosstrek 2018+	Crossbars (2) with Fit Kit	IFRK094	75	8	-	1375	-
Suzuki Jimny GJ	Crossbars (2) with Fit Kit	IFR070C2K	100	7	-	1250	-
Toyota Rav4 2019+	Crossbars (2) with Fit Kit	IFRK091	75	7	-	1250	-
Toyota Hilux Rogue Wide Body 2023+	Crossbars (2) with Fit Kit	IFR065C2K	100	7	-	1250	-
Toyota Hilux 2015+	Crossbars (2) with Fit Kit	IFR065C2K	100	7	-	1250	-
Toyota Hilux 2005 to 2015	Crossbars (2) with Fit Kit	IFR065C2K	100	7	-	1250	-
Toyota Landcruiser 200 Series	Crossbars (3) with Fit Kit	IFR056C3K	150	8	-	1375	-
Toyota Landcruiser 79 Series D/Cab	Crossbars (2) with Fit Kit	IFR019C2K	100	8	-	1650	-
Toyota Prado 150 2009+	Crossbars (3) with Fit Kit	IFR047C3K	150	8	-	1375	-
Volkswagen Amarok Core, Life and Style only 2023+	Crossbars (2) with Fit Kit	IFR054C2K	100	7	-	1250	-
Volkswagen Amarok Panamericana and Aventura 2023+	Crossbars (2) with Fit Kit	IFRK094	75	8	-	1375	-
To Suit Pinnacle 2 Canopies	Crossbars (2) with Fit Kit	IFRP2C125K	100	7	-	1250	-
To Suit Slideaway Hard Tonneau Cover	Crossbars (2) with Fit Kit	IFRSLDAWAYC2K	100	8	-	1650	-

Racks, Mount Kits, Rail Extrusions and Canopies

ROOF RACKS

Description	Type	Part Number	Weight Kg	Dimensions (mm) L x W x H		
Steel Roof Rack	Cage Style	IRRCAGE14	37	1400	1250	150
Steel Roof Rack	Rooftop Tent Compatible	IRRTENT18	37	1800	1250	150
Steel Roof Rack	Rooftop Tent Compatible	IRRTENT22	45	2200	1250	150
Steel Roof Rack - Open End	Trade Style	IRRTRADE22	49	2200	1250	150
Alloy Roof Rack - Mesh Floor	Cage Style	IRRCAGE18-ALLOY	22	1800	1250	150
Alloy Roof Rack - Mesh Floor	Cage Style	IRRCAGE22-ALLOY	27	2200	1250	150
Alloy Roof Rack - Mesh Floor, Open End	Trade Style	IRROPEN14-ALLOY	16	1400	1250	150
Alloy Roof Rack - Mesh Floor, Open End	Trade Style	IRRTRADE18-ALLOY	20	1800	1250	150
Alloy Roof Rack - Mesh Floor, Open End	Trade Style	IRRTRADE22-ALLOY	25	2200	1250	150
Alloy Roof Rack - Mesh Floor	Flat Style	IRRTFLAT18-ALLOY	18	1800	1250	30

MOUNT KITS

Description	Feet	Part Number	Height
To Suit Landcruiser 200 Series Roof Mount	8 Feet	IRRFEETLC200	Adjustable
To Suit GM / Holden Colorado 7 / Trailblazer	6 Feet	IRRFEET001	Fixed
To Suit Toyota Prado 150	2 Feet	IRRFEETPRADO150	Fixed
To Suit Isuzu MU-X - Replaces Roof Rails	4 Feet	IRRFEETMUX	Fixed
ABS Canopies 010 / 011 / 012 / 013 / 014 / 015 / 019 / 020	4 (2 pieces)	IRRFEETABS14	45

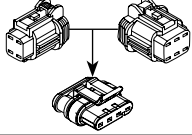
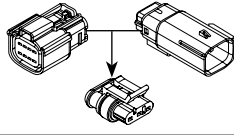
CANOPIES - GENERIC LISTINGS

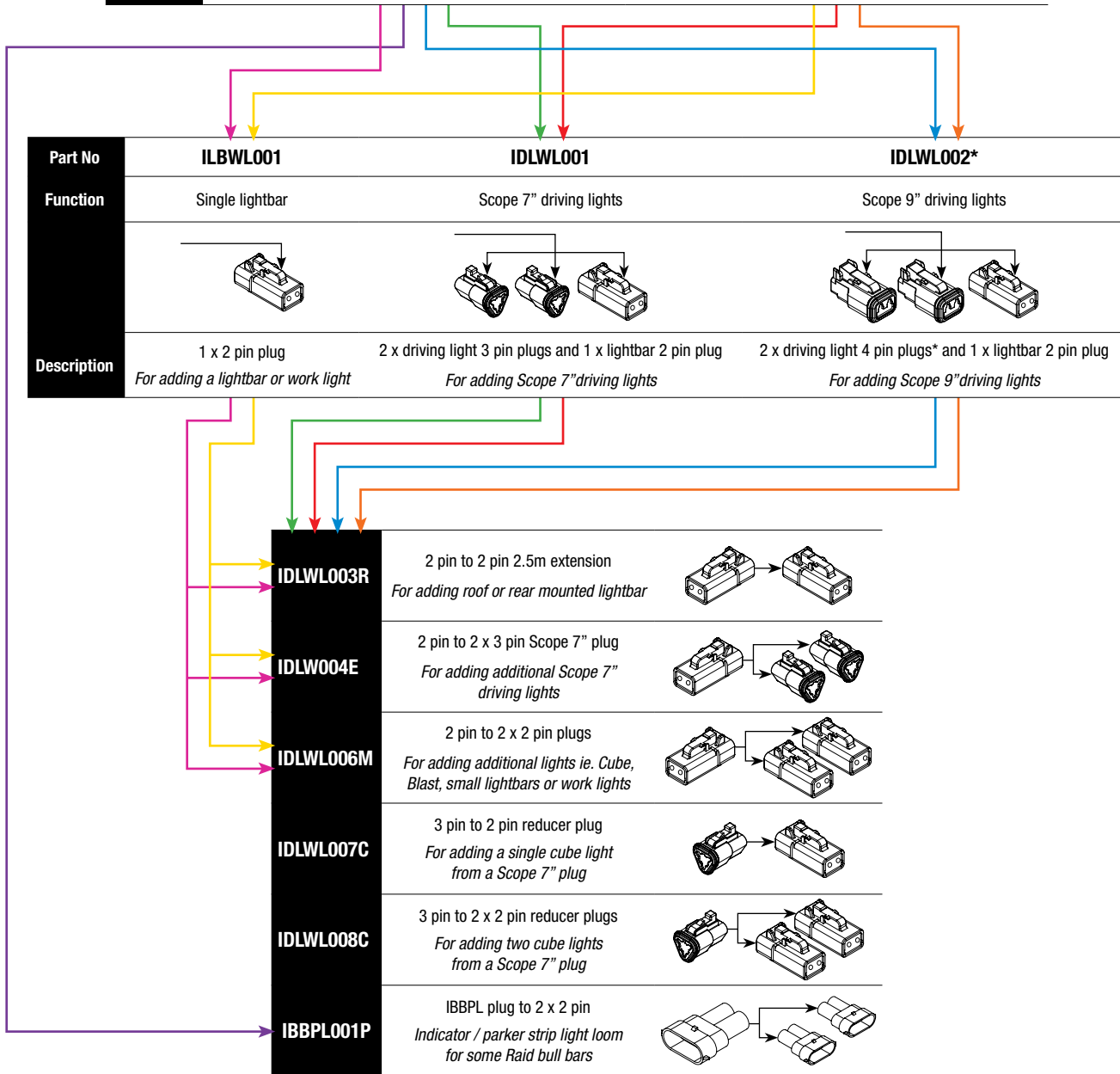
Vehicle Make	Model and Specifics	Canopy Model/Type	Part Number	Weight	Page
To Suit Fiat Fullback	2016+	Thermo Plas / ABS Plastic	CANOPY014	80kg	47
To Suit Fiat Fullback	2016+	Pinnacle 1 / Fibreglass	CANFIBRE050*	100kg	47
To Suit Fiat Fullback	2016+	Pinnacle 2 / Fibreglass	ICANOPY050*	100kg	47
To Suit Ford Ranger	Next-Gen 2022+	Pinnacle 2 / Fibreglass	ICANOPY110*	100kg	58
To Suit Ford Ranger	PX 2011-2015* / PX II 2015-7/2018 / PX III 8/2018+ / Raptor 9/2018+	ABS Plastic	CANOPY010*	80kg	62, 66, 70
To Suit Ford Ranger	PX 2011-2015* / PX II 2015-7/2018 / PX III 8/2018+ / Raptor 9/2018+	Pinnacle 1 / Fibreglass	CANFIBRE054*	100kg	57, 62, 66, 70
To Suit Ford Ranger	PX 2011-2015* / PX II 2015-7/2018 / PX III 8/2018+ / Raptor 9/2018+	Pinnacle 2 / Fibreglass	ICANOPY054*	100kg	57, 62, 66, 70
To Suit Isuzu D-Max	6/2012 to 7/2019	ABS Plastic	CANOPY020*	80kg	111, 114
To Suit Isuzu D-Max	8/2019+	Pinnacle 2 / Fibreglass	ICANOPY074*	100kg	108
To Suit Mazda BT50	6/2020+	Pinnacle 2 / Fibreglass	ICANOPY074*	100kg	159
To Suit Mazda BT50	2012 to 5/2020	ABS Plastic	CANOPY010*	80kg	163
To Suit Mazda BT50	2012 to 5/2020	Pinnacle 1 / Fibreglass	CANFIBRE054*	100kg	163
To Suit Mazda BT50	2012 to 5/2020	Pinnacle 2 / Fibreglass	ICANOPY054*	100kg	163
To Suit Mitsubishi Triton	MR 11/2018+ / MQ 2015-10/2018	ABS Plastic	CANOPY014	80kg	191, 195
To Suit Mitsubishi Triton	MR 11/2018+ / MQ 2015-10/2018	Pinnacle 1 / Fibreglass	CANFIBRE050*	100kg	191, 195
To Suit Mitsubishi Triton	MR 11/2018+ / MQ 2015-10/2018	Pinnacle 2 / Fibreglass	ICANOPY050*	100kg	191, 195
To Suit Nissan Navara	2021+	Pinnacle 2 / Fibreglass	ICANOPY082*	100kg	208
To Suit Toyota Hilux	2015+	ABS Plastic	CANOPY017-SW	80kg	301
To Suit Toyota Hilux	2015+	Pinnacle 1 / Fibreglass	CANFIBRE051*	100kg	297, 301
To Suit Toyota Hilux	2015+	Pinnacle 2 / Fibreglass	ICANOPY051*	100kg	297, 301
To Suit Volkswagen Amarok	2023+	Pinnacle 2 / Fibreglass	ICANOPY112*	100kg	378
To Suit Volkswagen Amarok	2011 to 2022	ABS Plastic	CANOPY021	80kg	380, 382
To Suit Volkswagen Amarok	2011 to 2022	Pinnacle 2 / Fibreglass	ICANOPY060*	100kg	380, 382

* Colour coded options available

Wiring Looms Flowchart

WIRING LOOM ADD ONS

Part No	IBBPL	IPLS
Function	Bull bar parker / indicator and high beam trigger	High beam trigger
		
Description	Vehicle specific XX pin to 3 pin plug Plug and play connection for bull bar indicators / parkers Allows for expansion with cube lights, driving lights or lightbars	Vehicle specific XX pin to 3 pin plug Allows for expansion of adding additional lights

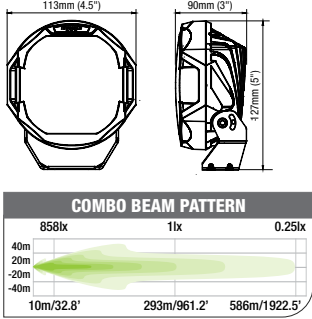


* Important Note: Scope 9" driving lights require 1 x IDLWL002 loom for each pair added to a vehicle

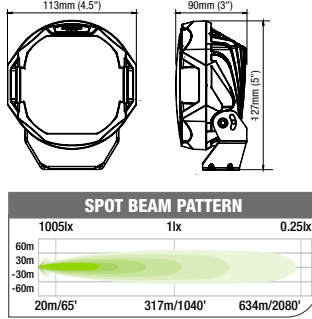
LED Driving Lights

LED DRIVING LIGHTS

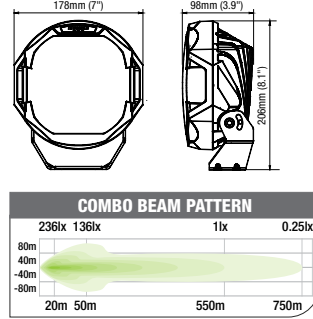
IDL0501C *Op.Volt: 10-32V DC*



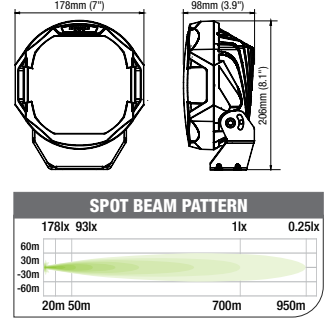
IDL0501S *Op.Volt: 10-32V DC*



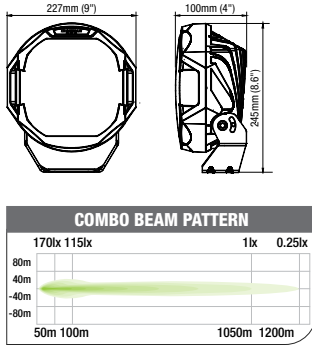
IDL0701C *Op.Volt: 10-32V DC*



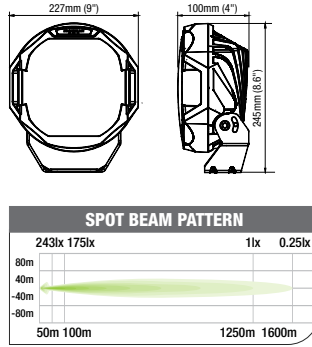
IDL0701S *Op.Volt: 10-32V DC*



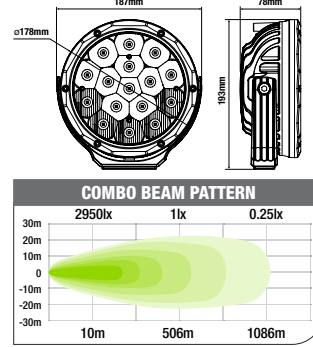
IDL0901C *Op.Volt: 10-32V DC*



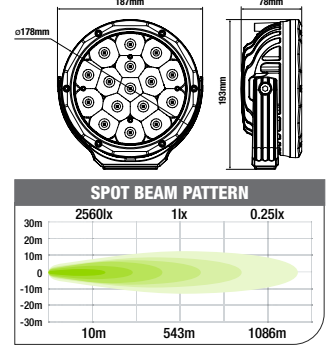
IDL0901S *Op.Volt: 10-32V DC*



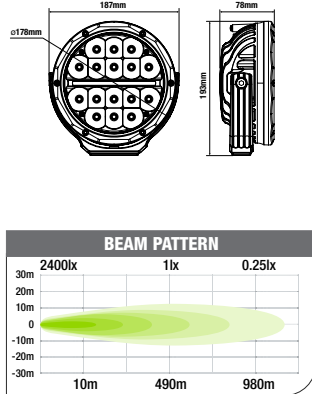
ILEDBLAST2C *Op. Volt: 12-24V DC*



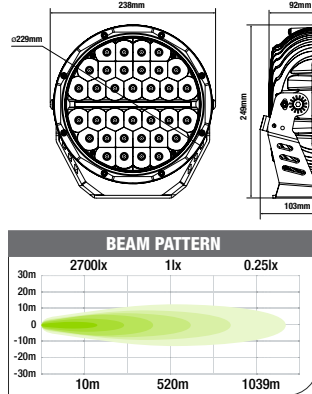
ILEDBLAST2S *Op. Volt: 12-24V DC*



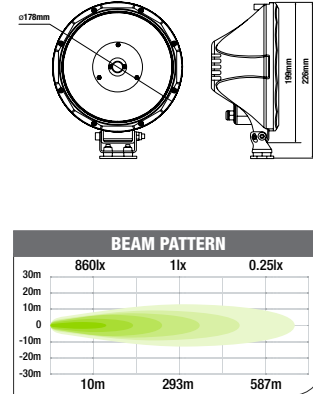
ILED7M *Op. Volt: 12-24V DC*



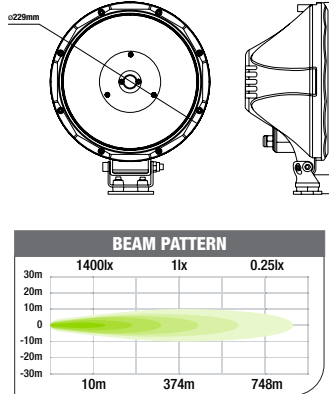
ILED9M *Op. Volt: 12-24V DC*



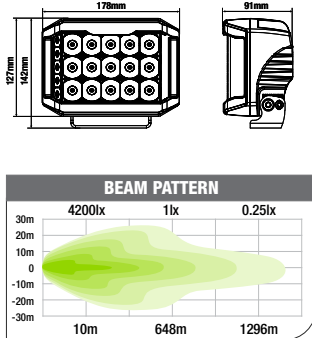
ILED7C *Op. Volt: 12-24V DC*



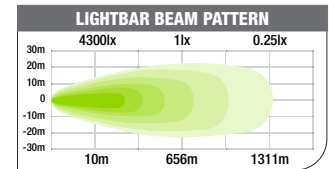
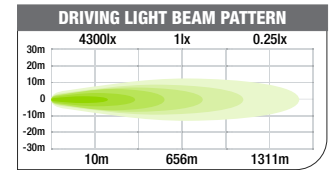
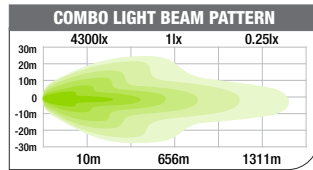
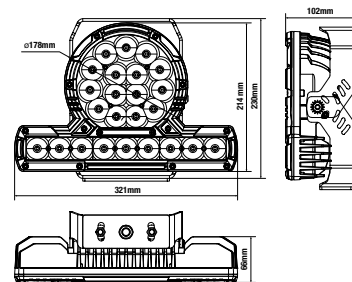
ILED9C *Op. Volt: 12-24V DC*



ILED5X7 *Op. Volt: 12-24V DC*



IMEGATOM *Op.Volt: 9-30V DC*

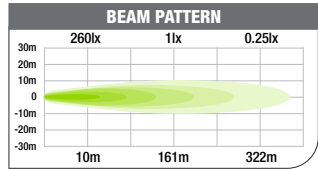
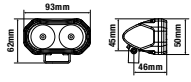


LED Work Lights and Upgrades

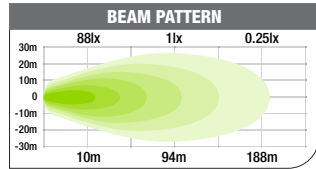
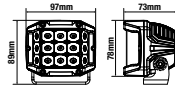
LED WORK AND UNIVERSAL LIGHTS

Operating Voltage: 12-24V DC

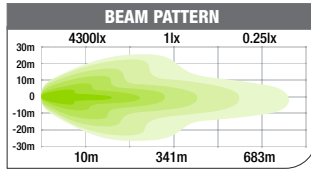
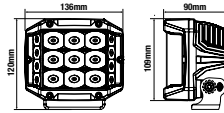
ILEDWL10 / ILEDWL10FA



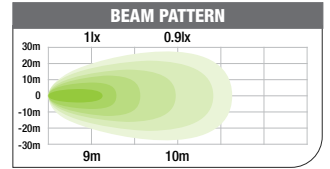
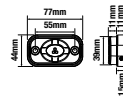
ILEDUNI3



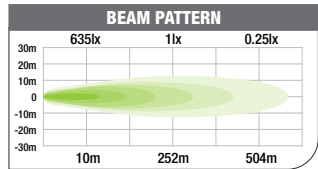
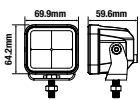
ILEDUNI5



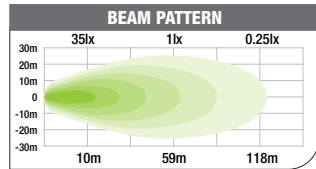
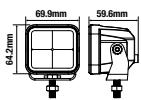
IRL120B



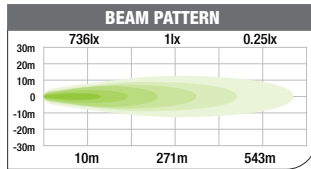
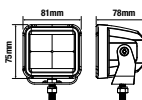
ILED20B SERIES



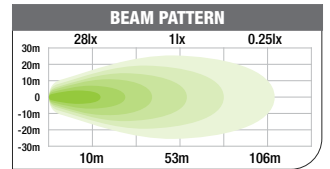
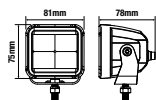
ILED20BF SERIES



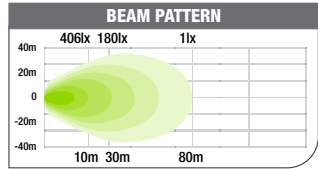
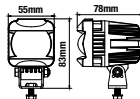
ILED80B SERIES



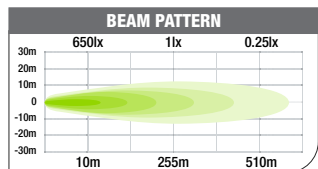
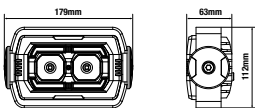
ILED80BF SERIES



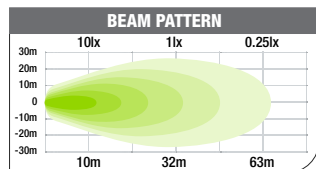
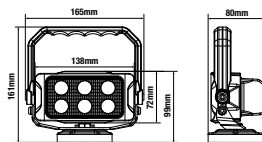
IFL0201 SERIES



ILEDGOSMO

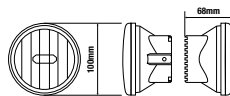


ILED5B



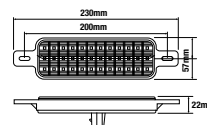
BULL BAR UPGRADE LED LIGHTS

BBPART031



Operating Voltage: 9-32V DC

BBPART002

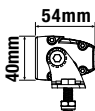


Operating Voltage: 12V DC

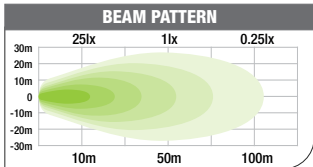
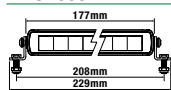
LED Lightbars

SINGLE ROW - SLIM

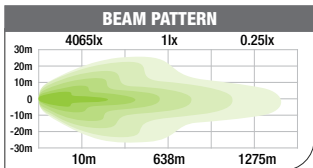
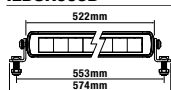
Operating Voltage: 12-24V DC



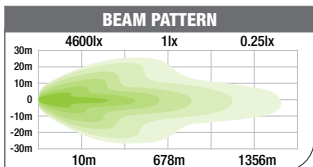
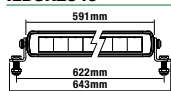
ILBSR005B



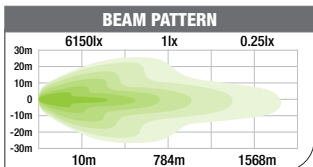
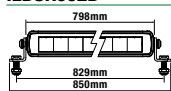
ILBSR003B



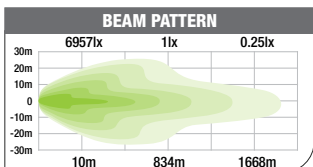
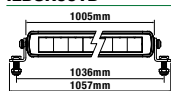
ILBSR2340



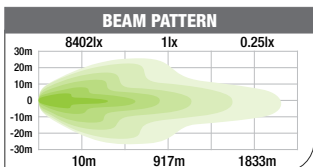
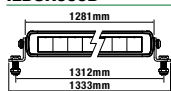
ILBSR002B



ILBSR001B

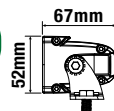


ILBSR000B

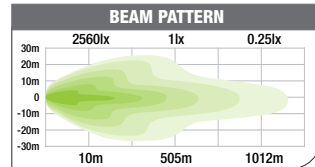
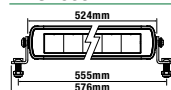


SINGLE ROW - WIDE

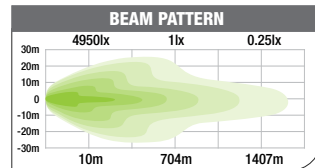
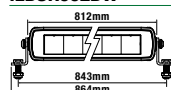
Operating Voltage: 12-24V DC



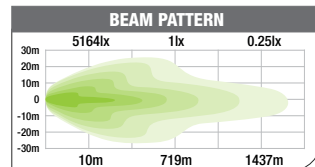
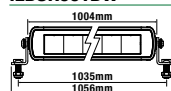
ILBSR003BW



ILBSR002BW

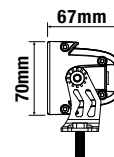


ILBSR001BW

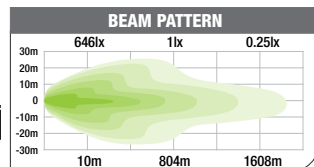
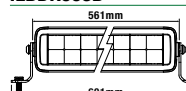


DUAL ROW

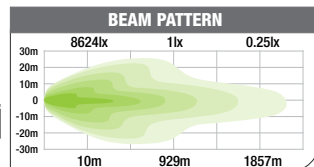
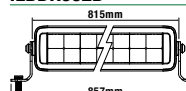
Operating Voltage: 12-24V DC



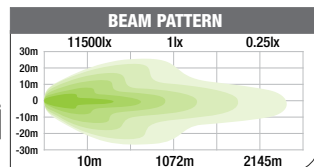
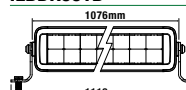
ILBDR003B



ILBDR002B

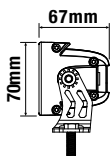


ILBDR001B

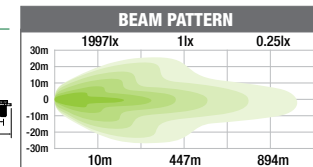
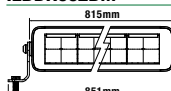


DUAL ROW - MULTI FUNCTION

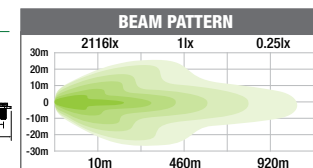
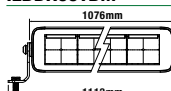
Operating Voltage: 12-24V DC



ILBDR002BM



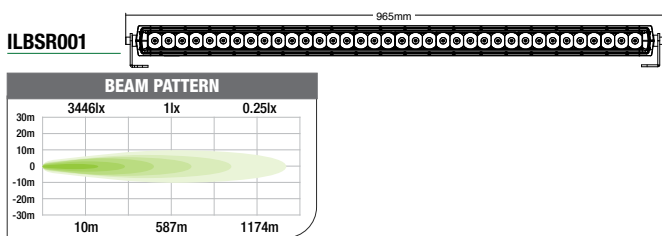
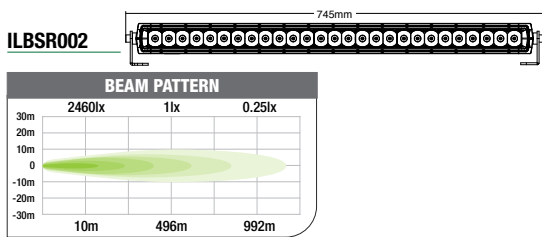
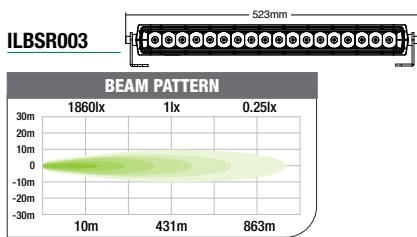
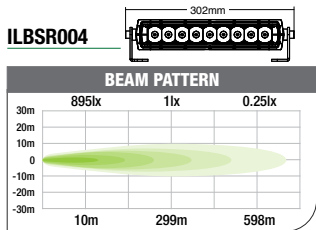
ILBDR001BM



LED Lightbars and Light Wire Looms

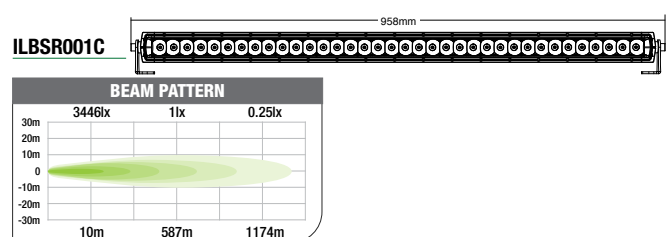
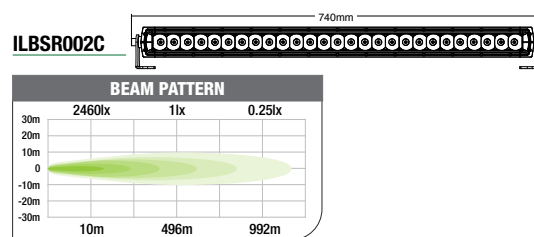
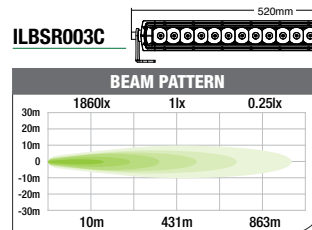
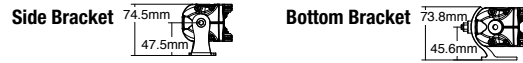
LED LIGHT BARS - STRAIGHT

Operating Voltage: 12-24V DC



LED LIGHT BARS - CURVED

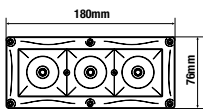
Operating Voltage: 12-24V DC



LED LIGHT BARS - MODULAR

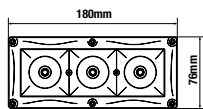
Operating Voltage: 12-24V DC

ILED180S (SPOT)



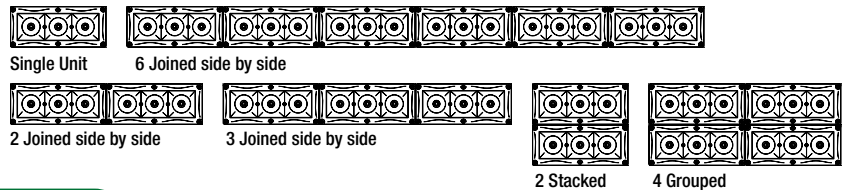
30W Spot Beam (7°) Long

ILED180F (FLOOD)



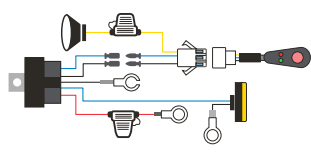
30W Flood Beam (7°) Long

MODULAR COMBINATIONS

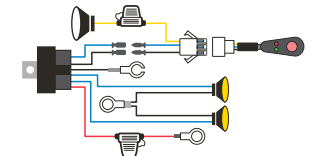


LED DRIVING LIGHTS / LIGHTBAR WIRE LOOMS

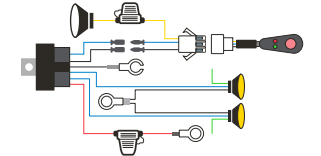
SINGLE LIGHT LOOM



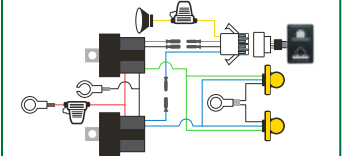
TWIN LIGHT LOOM



TWIN LIGHT WITH DRL LOOM



TWIN MEGATOM LOOM



Fridges and Fridge Troubleshooting

FRIDGE ERROR CODES

EXISTING AND SUPERSEDED FRIDGE RANGE

Code	Error Type - Refer to User Manual for further information	Possible solution
E1	Battery protection stop auto cut-off (Battery too low or adjust protection setting)	Set battery protection to lower setting.
E2	Fan fault (Check clearance around the fan)	Check for fan obstructions.
E3	Compressor motor starter error (Low voltage power supply)	Check available voltage of 12/24V power supply, check all connections between battery and fridge, check condition of plug in lead.
E4	Compressor motor running speed error (Overloaded motor cannot maintain 1850 times / min which is the lowest speed)	Return to place of purchase for assessment.
E5	Compressor has overheated (Check clearance around the fan)	Check for sufficient air flow clearance around fridge.
ER1	Control panel and temperature probe fault	Replacement of control panel or temperature probe.

METAL / DRAWER FRIDGE RANGE

Code	Error Type - Refer to User Manual for further information	Possible solution
ERR01 / E1	Battery cut-out activated	Check source voltage is above the set cut-out level and adjust as required. Check operation on another power source.
ERR02 / E2	Cooling fan issue	Call IRONMAN 4X4 Customer Service.
ERR03 / E3	Compressor start-up issue	Remove fridge from power source and wait 10 mins before reconnecting. Try connection to an alternate power source. Potential control system issue, contact IRONMAN 4X4 Customer Service.
ERR04 / E4	Compressor speed too low	Remove fridge from power source and wait 10 mins before reconnecting. Try connection to an alternate power source. Move unit to a lower ambient temperature area. Clean and verify all vents are clear to ensure uninterrupted air-flow across compressor and cooling system.
ERR05 / E5	Extreme ambient temperature	Move unit to a lower ambient temperature area. Clean and verify all vents are clear to ensure uninterrupted air-flow across compressor and cooling system.
ERR06 / 07	Thermostat failure	Call IRONMAN 4X4 Customer Service.

Unit will not turn on

- Check power supply ie. Battery voltage (See Battery Protection table in User Handbook)
- Check all connections between battery and fridge
- Check condition of fuse
- Check that the unit is turned on

Poor refrigeration performance

- Too much food has been placed inside refrigerator
- Temperature of food placed in fridge is too high
- The door is not closed properly
- Door seal is broken

Poor cooling

- Make sure adequate ventilation room is left around unit (See General Notes in User Handbook)
- Ambient temperature is extremely high
- Temperature is not set correctly

Contents of fridge are freezing

- Temperature setting is too low

Noise

- Unit is not on a flat or level surface
- Check for vibrations in surrounding objects

Sound of water from inside of unit

- This is normal due to flow of refrigerant

FRIDGE FAQ's

Q. Where can I find a list of the fault codes? **A.** See User Handbook (or above)

Q. Why is my fridge freezing everything? **A.** Temperature is set to degrees Fahrenheit, reset to degrees Celsius

Q. My fridge will not turn on? **A.** Hold On/Off button until the display illuminates

Q. My fridge isn't staying on? **A.** Check the battery protection setting, and ensure it is set correctly by referring to your User Handbook

Fridges and Slides

FRIDGE / FREEZERS

40L (10.5GAL) ICECUBE FRIDGE / FREEZER DRAWER - IFRIDGE40LMDR

Overall Dimensions	766(L) x 308(H) x 536mm(W) 30.2(L) x 12.1(H) x 21.1”(W)
Weight	22kg (48lb)
Temperature Range / Regulation	+10°C to -18°C (+50°F to -0.4°F)
Power Draw	4.5Amps

30L (7.9GAL) ICECUBE FRIDGE / FREEZER - IFRIDGE30SP

Overall Dimensions	590(L) (650mm with handle) x 380(H) x 340mm(W) 23.3(L) (25.6”mm with handle) x 15(H) x 13.4”(W)
Weight	18kg (35lb)
Temperature Range / Regulation	+10°C to -18°C (+50°F to -0.4°F)
Power Draw	4.5Amps

40L (10.5GAL) ICECUBE FRIDGE / FREEZER - IFRIDGE40SP

Overall Dimensions	590(L) (650mm with handle) x 440(H) x 350mm(W) 23.3(L) (25.6”mm with handle) x 17.4(H) x 13.8”(W)
Weight	20kg (37lb)
Temperature Range / Regulation	+10°C to -18°C (+50°F to -0.4°F)
Power Draw	4.5Amps

50L (13GAL) ICECUBE FRIDGE / FREEZER - IFRIDGE50SP

Overall Dimensions	590(L) (650mm with handle) x 520(H) x 350mm(W) 23.3(L) (25.6”mm with handle) x 20.5(H) x 13.8”(W)
Weight	22kg (41lb)
Temperature Range / Regulation	+10°C to -18°C (+50°F to -0.4°F)
Power Draw	4.5Amps

43L (11GAL) ICECUBE FRIDGE / FREEZER - IFRIDGE43LM

Overall Dimensions	630(L) x 517(H) x 365mm(W) 24.8(L) x 20.4(H) x 14.4”(W)
Weight	25kg (56lb)
Temperature Range / Regulation	+10°C to -18°C (+50°F to -0.4°F)
Power Draw	4.5Amps

65L (17GAL) ICECUBE DUAL ZONE FRIDGE / FREEZER - IFRIDGE65LDZM

Overall Dimensions	800(L) x 470(H) x 475mm(W) 31.5(L) x 18.5(H) x 18.7”(W)
Weight	29kg (63.9lb)
Temperature Range / Regulation	+10°C to -18°C (+50°F to -0.4°F)
Power Draw	4.5Amps

70L (18GAL) ICECUBE FRIDGE / FREEZER - IFRIDGE70LM

Overall Dimensions	800(L) x 470(H) x 475mm(W) 31.5(L) x 18.5(H) x 18.7”(W)
Weight	25kg (56lb)
Temperature Range / Regulation	+10°C to -18°C (+50°F to -0.4°F)
Power Draw	4.5Amps

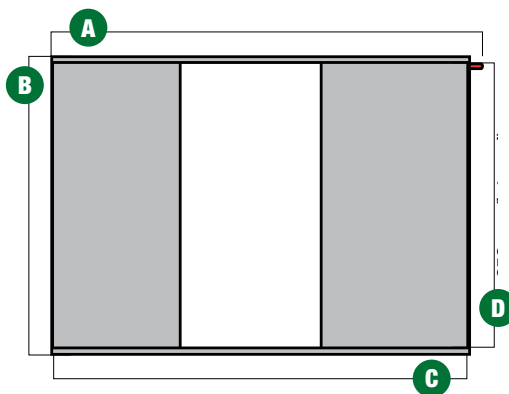
65L (17GAL) ICECUBE FRIDGE / FREEZER - IFRIDGE65SP (SUPERSEDED MODEL)

Overall Dimensions	820(L) x 495(H) x 490mm(W) 32.3(L) x 19.5(H) x 19.3”(W)
Weight	33kg (66lb)
Temperature Range / Regulation	+10°C to -18°C (+50°F to -0.4°F)
Power Draw	4.5Amps

74L (19.5GAL) ICECUBE FRIDGE / FREEZER - IFRIDGE74SP (SUPERSEDED MODEL)

Overall Dimensions	820(L) x 495(H) x 490mm(W) 32.3(L) x 19.5(H) x 19.3”(W)
Weight	32kg (66lb)
Temperature Range / Regulation	+10°C to -18°C (+50°F to -0.4°F)
Power Draw	4.5Amps

FRIDGE SLIDES



	IFRIDGESLIDE001	IFRIDGESLIDE002	IFRIDGESLIDE023	IFRIDGESLIDE034	IFRIDGESLIDE045
A	655mm	843mm	902mm	796mm	902mm
B	420mm	534mm	576mm	576mm	676mm
C	352mm	811mm	850mm	750mm	850mm
D	592mm	484mm	530mm	430mm	530mm
TILT	No	No	No	Yes	Yes
WEIGHT	21kg	25kg	21kg	21kg	31kg

Locksafe Drawer Systems

LOCKSAFE DRAWER SYSTEMS

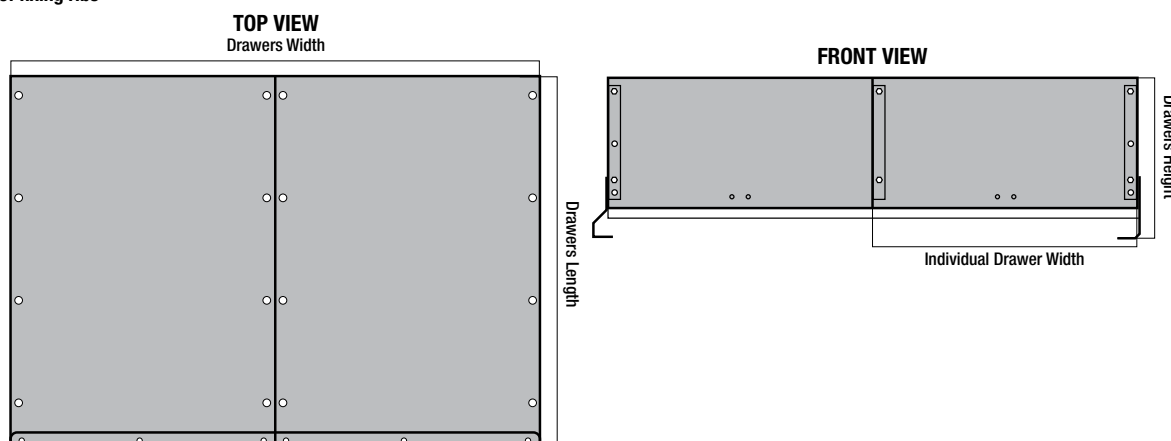
900mm Drawer System	Weight	Length (mm)	Height (mm)	Width (mm)
TWIN - Cabinet specifications including drawers*	63kg	900	275	970
TWIN - Drawer specifications		840	206	425
SINGLE - Cabinet specifications including drawers*	34kg	900	275	490
SINGLE - Drawer specifications		840	206	425

1000mm Drawer System	Weight	Length (mm)	Height (mm)	Width (mm)
TWIN - Cabinet specifications including drawers*	76kg	1000	275	1020
TWIN - Drawer specifications		940	206	450
SINGLE - Cabinet specifications including drawers*	39kg	1000	275	510
SINGLE - Drawer specifications		940	206	425

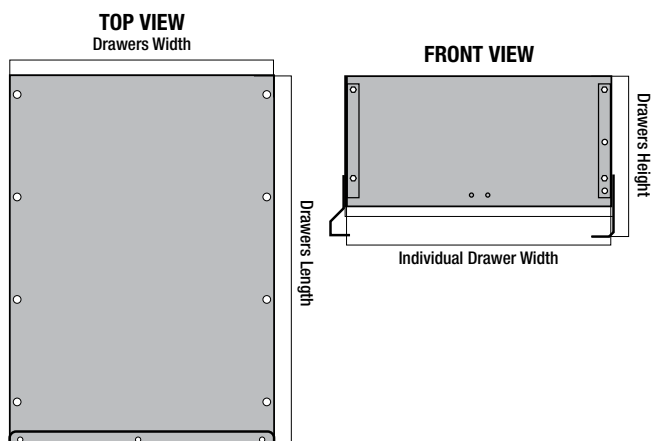
1300mm Drawer System	Weight	Length (mm)	Height (mm)	Width (mm)
TWIN - Cabinet specifications including drawers*	89kg	1300	275	970
TWIN - Drawer specifications		1240	206	425
SINGLE - Cabinet specifications including drawers*	46kg	1300	275	490
SINGLE - Drawer specifications		1240	206	425

* Top of timber to underside of fixing ribs

TWIN DRAWERS



SINGLE DRAWERS

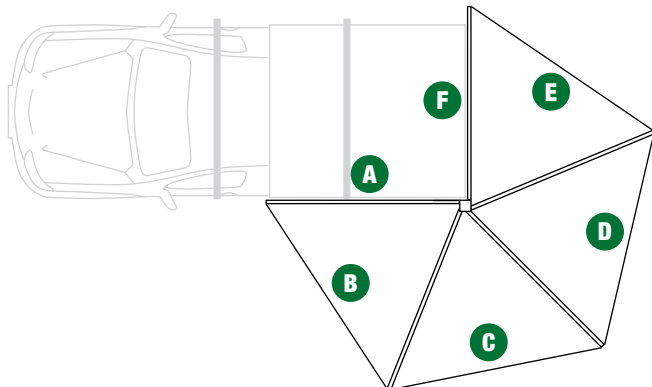


• All drawers extend 950mm from rear of unit. For an absolute overall width of each cabinet, add 26mm to the widths given above. Basic cabinet height is 238mm with 12mm carpeted ply on top and 20mm high fixing ribs under, giving an overall height of 270mm

DeltaWing Awnings

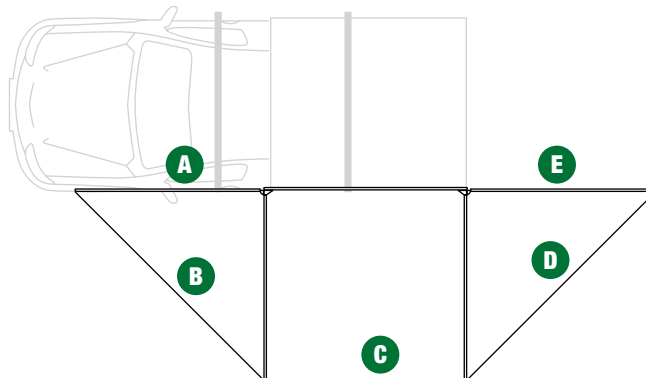
DELTAWING 270° - (WEIGHT 20KG)

IAWN270L045 / IAWN270R045



DELTAWING 180° - (WEIGHT 17/21KG)

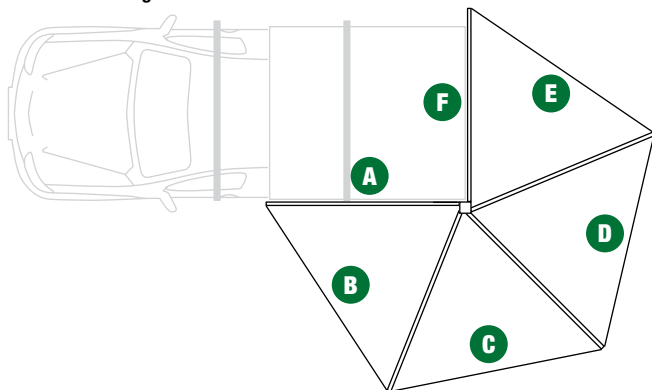
IAWN180012 / IAWN180023



DELTAWING 270 XT-71 - (WEIGHT 18KG)

IAWN270L034 / IAWN270R034

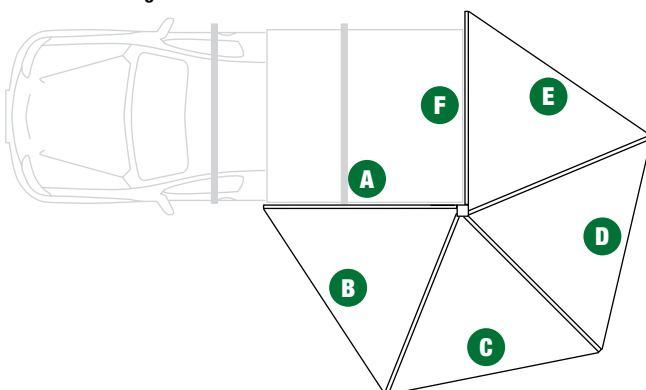
Discontinued range



DELTAWING 270 XTR-71 - (WEIGHT 20KG)

IAWN270L023 / IAWN270R023

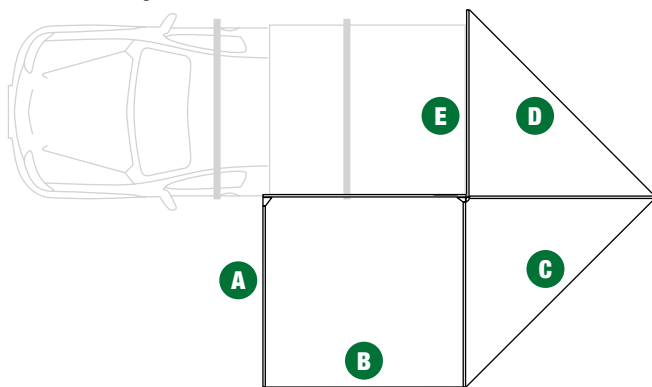
Discontinued range



DELTAWING 270 XTR-143 - (WEIGHT 20KG)

IAWN270L012 / IAWN270R012

Discontinued range



	IAWN270L045*	IAWN180012	IAWN180023	IAWN270L034*	IAWN270L023*	IAWN270L012*
A	2100mm	1631mm	2000mm	2000mm	2000mm	2180mm
B	2240mm	2288mm	2825mm	2180mm	2180mm	2180mm
C	2240mm	1762mm	2147mm	2180mm	2180mm	2848mm
D	2240mm	2288mm	2825mm	2180mm	2180mm	2848mm
E	2240mm	1631mm	2000mm	2180mm	2180mm	2006mm
F	2000mm	-	-	1870mm	1870mm	-

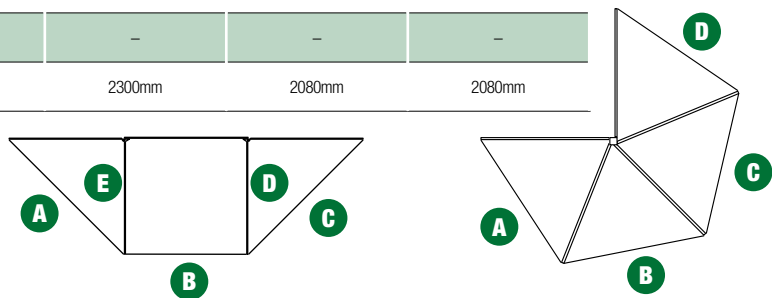
*Left-hand side model shown, reverse measurements for right-hand side model

Awning Walls and Rooftop Tents

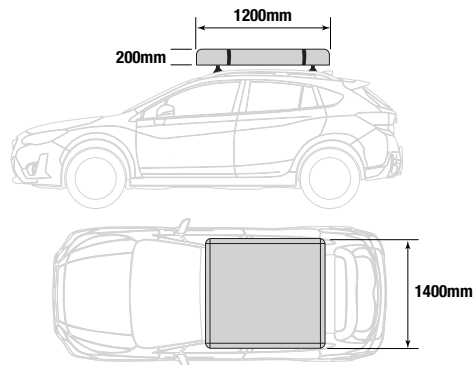
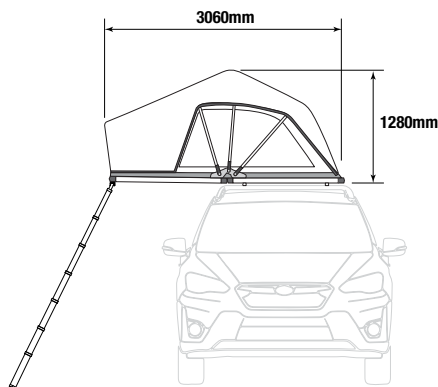
AWNING WALLS - BASE MEASUREMENTS

	IAWNWALL180012	IAWNWALL180023	IAWNROOM180034	IAWNWALL270045	IAWNWALL27023	IAWNWALL27034
A	3020mm	3600mm	–	3500mm	2180mm	2180mm
B	2490mm	2910mm	2380mm	3500mm	2180mm	2180mm
C	3020mm	3600mm	–	3500mm	2180mm	2180mm
D	–	–	2730mm	3500mm	2180mm	2180mm
E	–	–	2730mm	–	–	–
Height	2300mm	2300mm	2100mm	2300mm	2080mm	2080mm

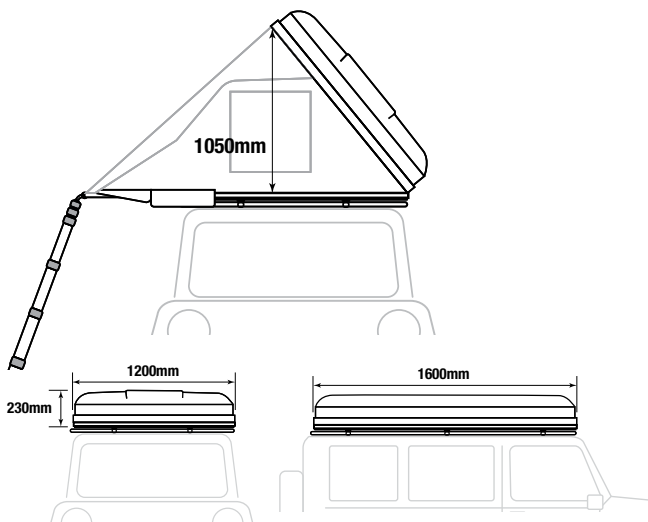
All measurements shown are taken along base of each wall panel



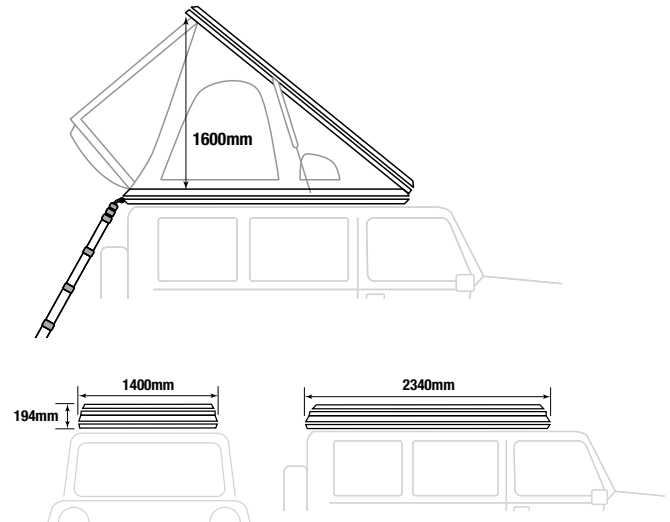
CROSS 1200 SOFT SHELL - (WEIGHT 56KG)



URSA 1300 ABS SHELL - (WEIGHT 69KG)



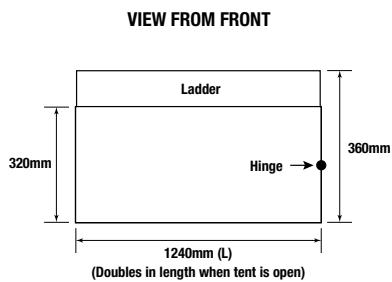
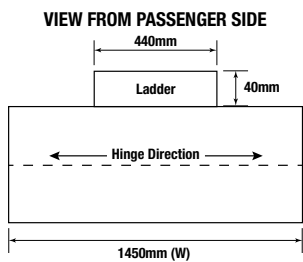
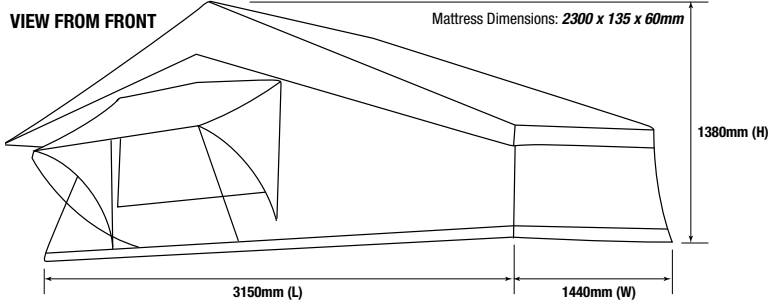
ORION 1400 ALUMINIUM - (WEIGHT 92KG)



Rooftop Tents and Rooftop Tent Awnings

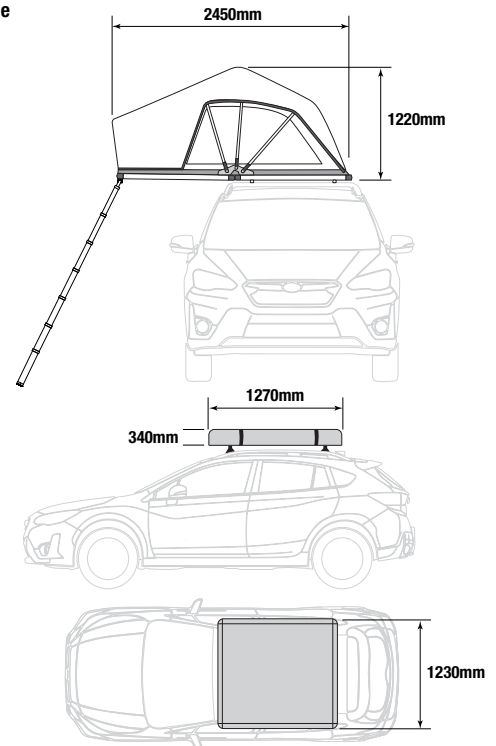
SOFT ROOFTOP TENT - (WEIGHT 62KG)

Discontinued range



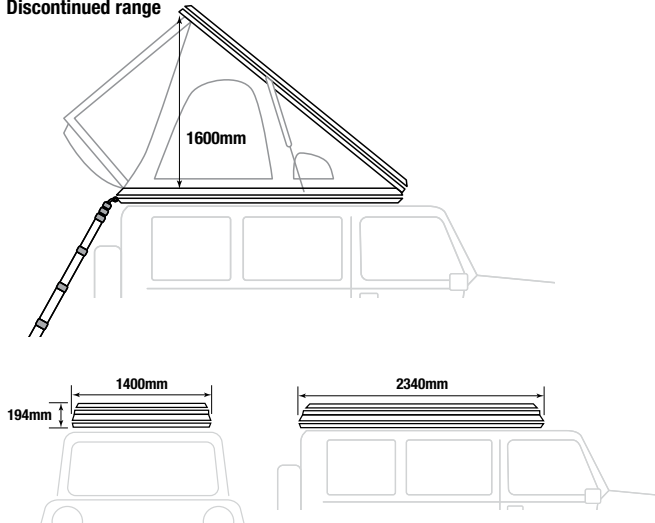
UBER LITE ROOFTOP TENT - (WEIGHT 47KG)

Discontinued range



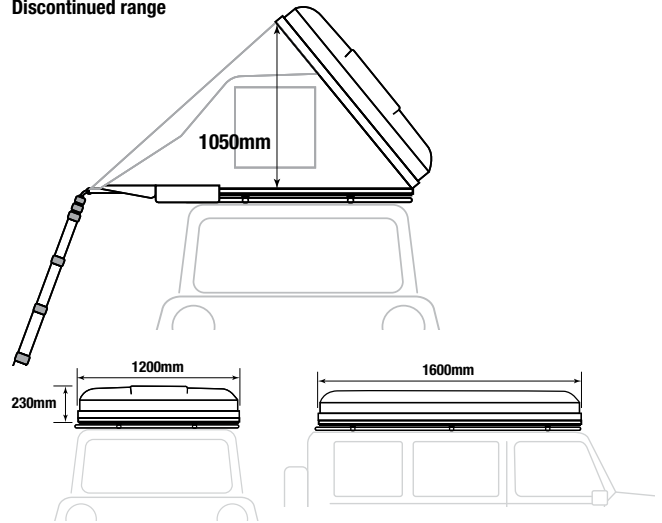
SWIFT 1400 HARD TOP - (WEIGHT 92KG)

Discontinued range



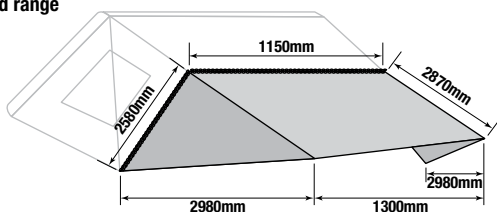
NOMAD 1300 ABS SHELL - (WEIGHT 69KG)

Discontinued range



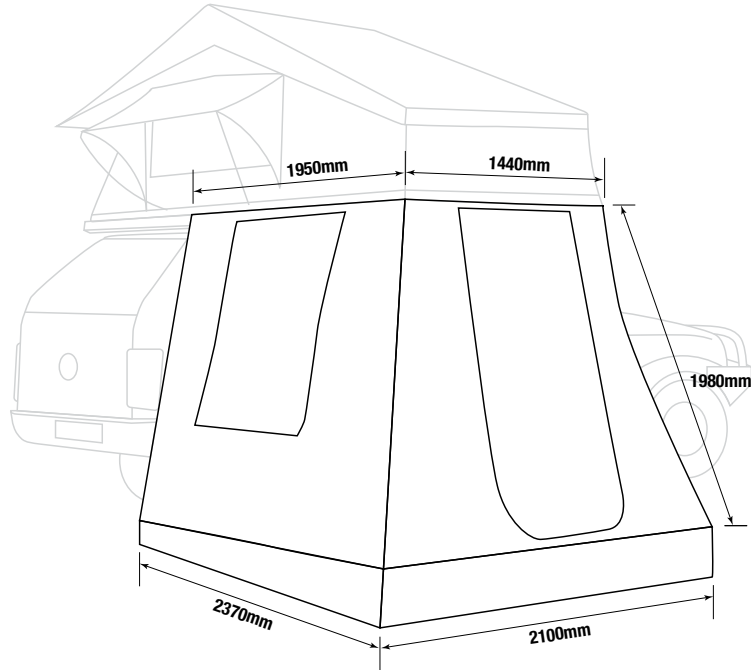
NOMAD 1300 TENT AWNING - (WEIGHT 3KG)

Discontinued range



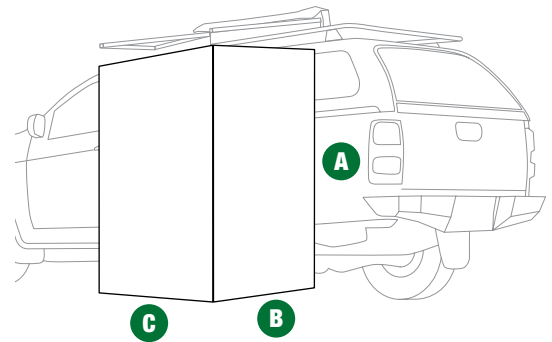
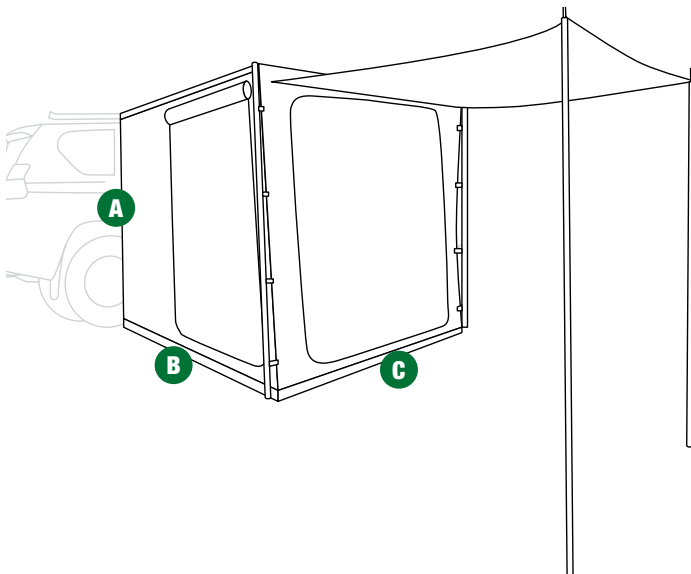
Awning Accessories and Ensuites

SOFT ROOFTOP TENT ANNEX WITH EXTENSION KIT - (WEIGHT 9KG)



AWNING ROOM - (WEIGHT 11-12KG)

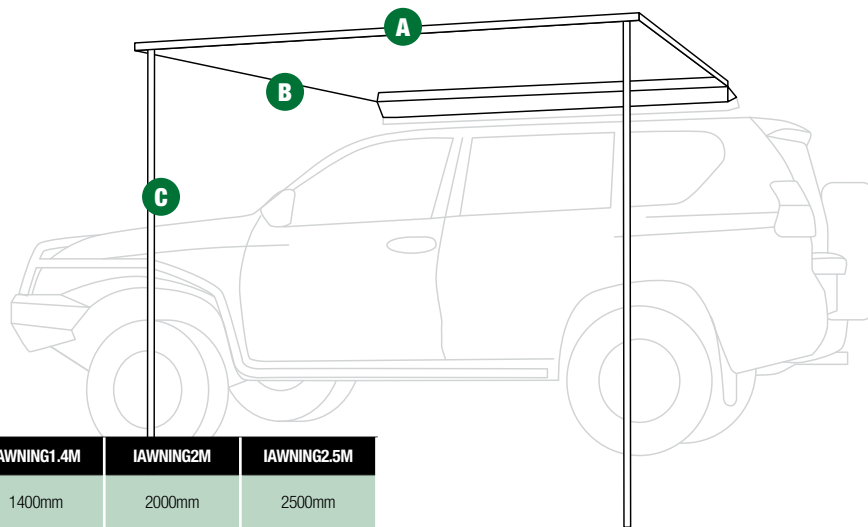
INSTANT ENSUITE - (WEIGHT 8KG)



	IAWNROOM2.0012	IAWNROOM2.5023	IAWNING2MRROOM	IAWNING2.5MRROOM	IENSUITEXT	IENSUITE
A	1950mm	1950mm	1950mm	1950mm	Variable	1600mm
B	1880mm	1800mm	1880mm	1800mm	1100mm	1000mm
C	2000mm	2500mm	2000mm	2500mm	1100mm	1000mm

Awnings and Swags

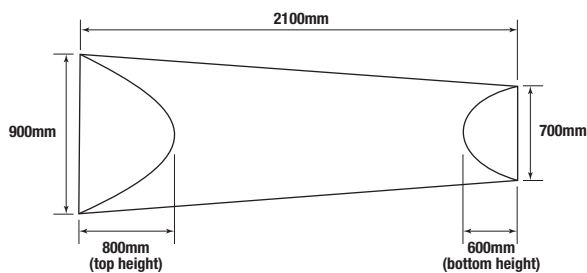
LED INSTANT AWNING



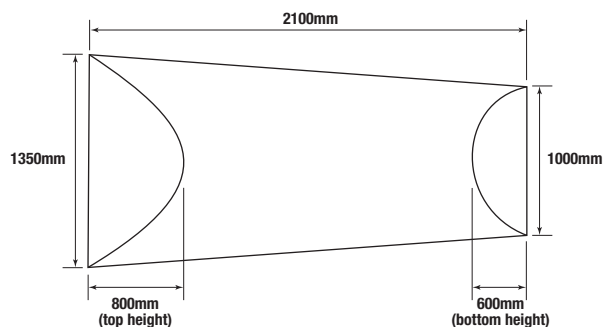
	IAWNINGXT1.4M	IAWNINGXT2.0M	IAWNINGXT2.5M	IAWNING1.4M	IAWNING2M	IAWNING2.5M
A	1400mm	2000mm	2500mm	1400mm	2000mm	2500mm
B	2000mm	2500mm	2500mm	2000mm	2000mm	2000mm
C	Variable	Variable	Variable	Variable	Variable	Variable

SWAGS

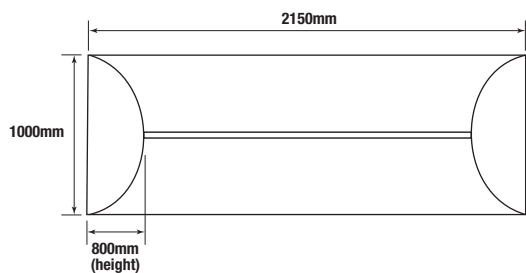
SINGLE SWAG - HOOP DESIGN



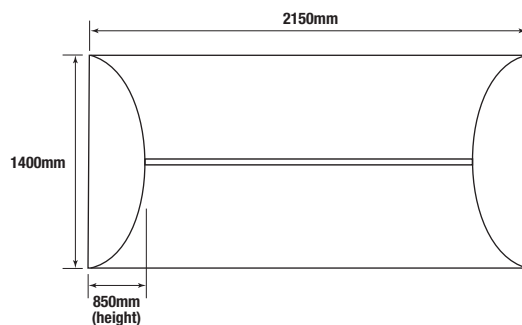
DOUBLE SWAG - HOOP DESIGN



KING SINGLE SWAG - RIDGE POLE DESIGN



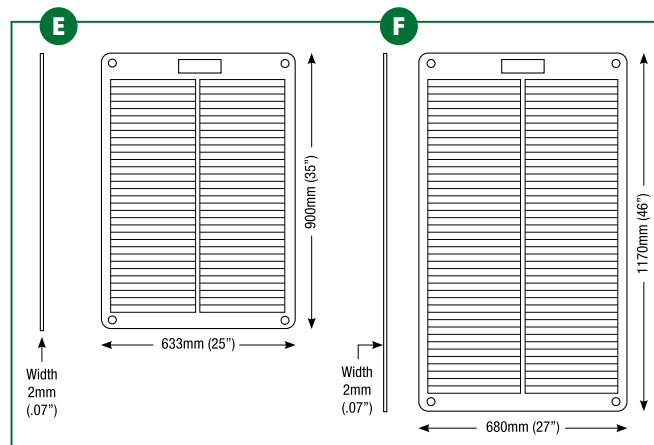
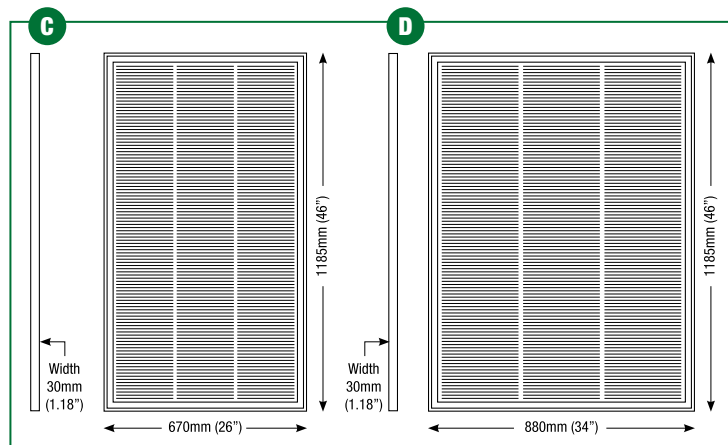
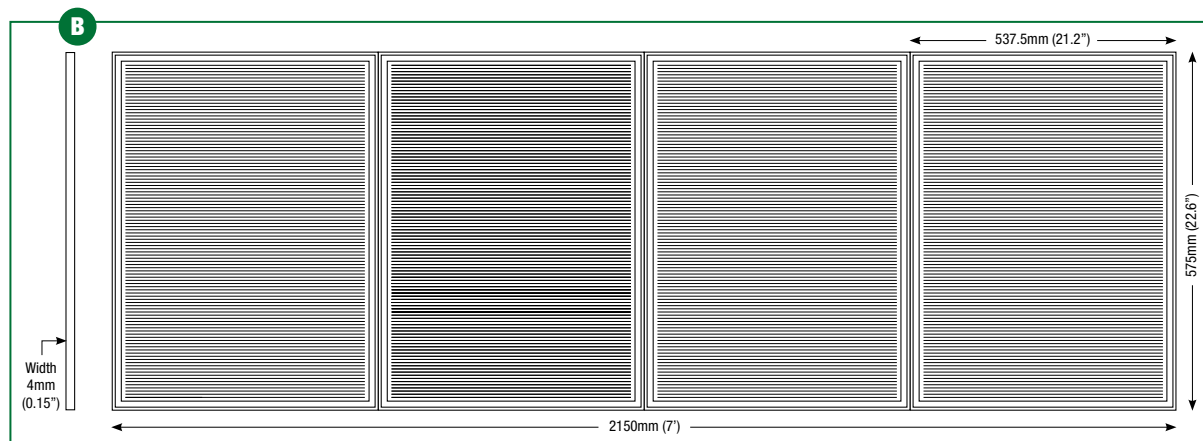
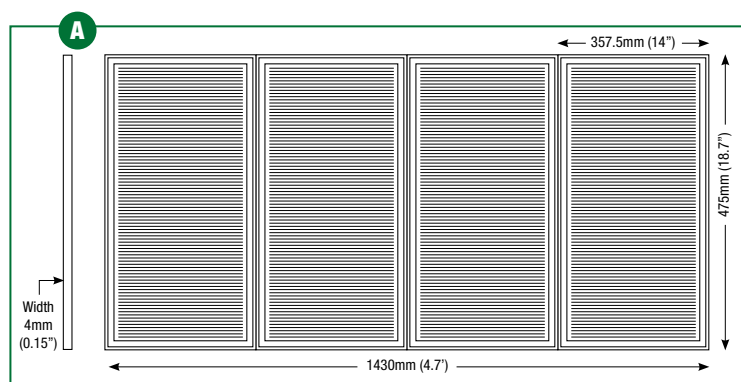
DOUBLE SWAG - RIDGE POLE DESIGN



Solar Panels

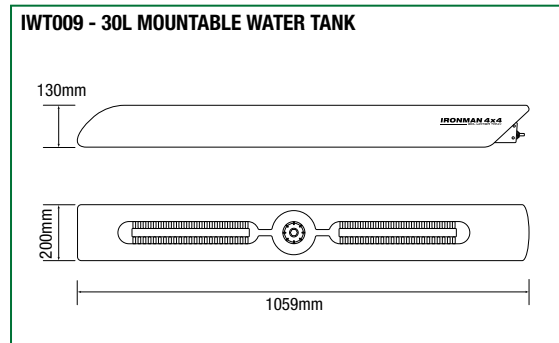
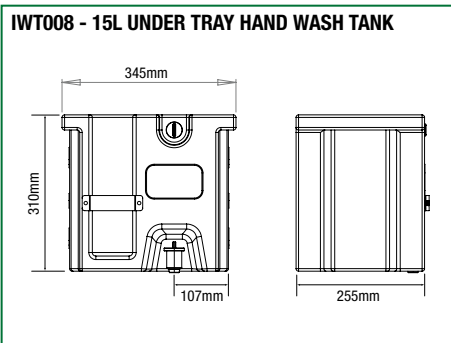
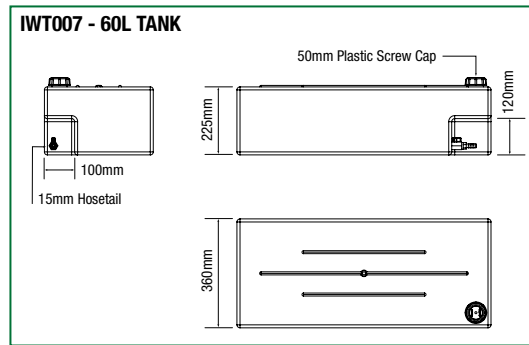
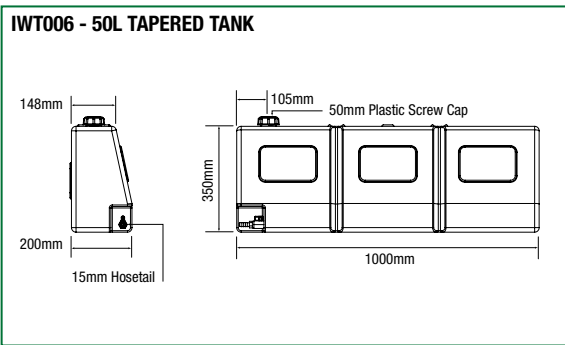
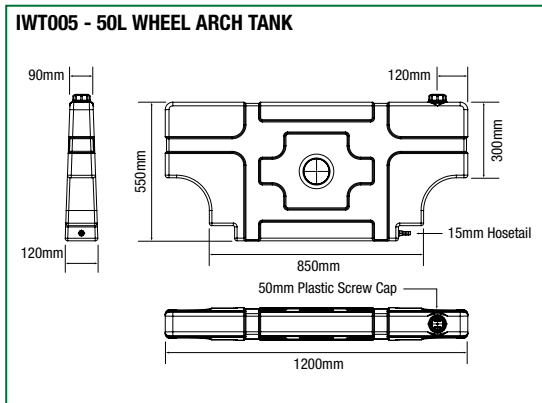
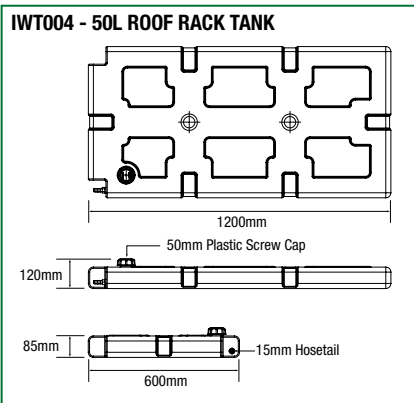
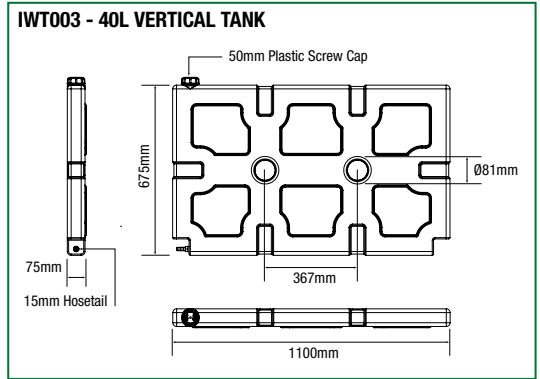
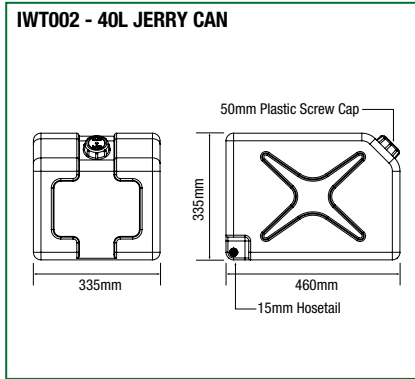
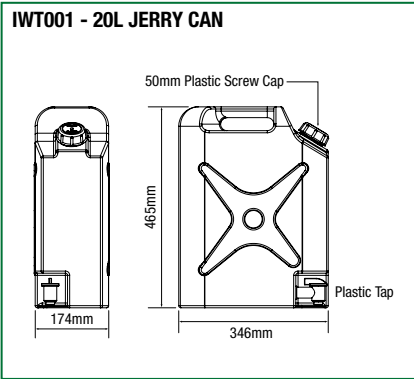
SOLAR PANEL KITS

	Part Number	Cells per Panel	Type	Construction	Power (Max.)	Voltage @ P _{MAX}	Current @ P _{MAX}
A	ISOLAR120	36	A Grade Monocrystalline Cell Shingle Assembly	Folding	120W	18.0V	6.66A
B	ISOLAR200	54	A Grade Monocrystalline Cell Shingle Assembly	Folding	200W	18.0V	11.11A
C	ISOLAR160WR	102	A Grade Monocrystalline Cell Shingle Assembly	Rigid	160W	19.04V	8.40A
D	ISOLAR210WR	136	A Grade Monocrystalline Cell Shingle Assembly	Rigid	210W	19.04V	11.03A
E	ISOLAR110WF	68	A Grade Monocrystalline Cell Shingle Assembly	Semi-Flexible	110W	19.05V	5.77V
F	ISOLAR150WF	99	A Grade Monocrystalline Cell Shingle Assembly	Semi-Flexible	150W	19.05A	8.11A



Water Storage Tanks

WATER TANKS



Terms and Conditions

1. Interpretation

In these Terms and Conditions of Sale ("Terms"), "Goods" means the Goods the subject of the Contract; IRONMAN 4X4 Pty. Ltd. means the entity selling the Goods; "Buyer" means the entity purchasing the Goods; "Contract" means each contract between IRONMAN 4X4 Pty. Ltd. and the Buyer for the sale and purchase of the Goods and "order" includes "offer".

2. Terms and Conditions

The only Terms of the Contract are those agreed to in writing by IRONMAN 4X4 Pty. Ltd. These Terms (to the extent they are not inconsistent with Terms agreed to in writing by IRONMAN 4X4 Pty. Ltd.) and those which are implied or imposed by law (including the Trade Practices Act 1974) to the extent that it is not lawful or possible to exclude them. All other Terms, Conditions and Warranties are expressly excluded. If a conflict arises between the Terms of any order made by the Buyer and these Terms, these Terms will prevail. An agreement to deliver the Goods in instalments is taken to be a separate Contract for each instalment. These Terms and each Contract including them are governed by the laws of New South Wales, and IRONMAN 4X4 Pty. Ltd. and the Buyer submit to the jurisdiction of the courts of that State. If a Term is held to be unenforceable, the remaining Terms will apply.

3. Quotations and Orders

Any quotation made by IRONMAN 4X4 Pty. Ltd. will not be construed or operate as an offer or obligation to sell. IRONMAN 4X4 Pty. Ltd. reserves the right to accept or reject in its absolute discretion any order received by it. The Buyer will not be entitled to cancel or refuse delivery of, or payment for, any order made by it which has been accepted by IRONMAN 4X4 Pty. Ltd.

4. Price

The price payable to IRONMAN 4X4 Pty. Ltd. by the Buyer for the Goods will be the price agreed; failing which it will be the price prevailing at the date the Goods are dispatched by IRONMAN 4X4 Pty. Ltd. for delivery to the Buyer. Prices are payable in Australian currency and exclusive of delivery costs, taxes, duties and other imposts which, if changeable, are payable by the Buyer. Prices quoted in any IRONMAN 4X4 Pty. Ltd. Price List are suggested prices only and may be changed by IRONMAN 4X4 Pty. Ltd. without notice.

5. Payment

The Buyer must pay cash for the Goods on delivery or, at IRONMAN 4X4 Pty. Ltd.'s absolute discretion, strictly within 30 days of delivery. IRONMAN 4X4 Pty. Ltd. will appropriate payments first to outstanding interest and then to outstanding accounts in the date order rendered.

6. Overdue Amounts

If Buyer fails to pay all or part of any amount to IRONMAN 4X4 Pty. Ltd. when due, interest will be payable on that amount from its due date until it is paid in full at a rate equivalent to 2% per annum above the overdraft rate from time to time charged to IRONMAN 4X4 Pty. Ltd. by its principal banker.

7. Delivery

IRONMAN 4X4 Pty. Ltd. will make all reasonable efforts to deliver the Goods on the dates agreed, to the place or carrier designated by the Buyer. IRONMAN 4X4 Pty. Ltd. has the right to make delivery in instalments and to deliver those Goods available for delivery. The Buyer has no right to terminate the Contract because of a delay in delivery.

8. Warranty

IRONMAN 4X4 Pty. Ltd. warrants that all products sold hereunder are free from defects in material and workmanship.

IRONMAN 4X4 Pty. Ltd. will, at its sole option, repair or replace any products supplied by it which are found to be defective in either materials or workmanship providing that IRONMAN 4X4 Pty. Ltd. is actually notified in writing from the Buyer of the alleged defect within ninety (90) days from the date of invoice. Any claim not made within this period shall conclusively be deemed waived by the Buyer. Repair or replacement is preconditioned on the examination of the Goods by IRONMAN 4X4 Pty. Ltd. and, if requested by IRONMAN 4X4 Pty. Ltd. return of the Goods to IRONMAN 4X4 Pty. Ltd.

No products are to be returned to IRONMAN 4X4 Pty. Ltd. without its written consent, according to procedures outlined in this manual, and the receipt by the Buyer of specific shipping instructions. IRONMAN 4X4 Pty. Ltd. shall not be liable for any expense incurred by the Buyer in order to remedy any defect in its products. IRONMAN 4X4 Pty. Ltd. shall not be liable for any consequential, special, indirect or contingent damage, or expense arising directly or indirectly from any defect in its products or from use of any products. This warranty does not apply to (1) Goods bought for industrial, mining or agricultural use, (2) Goods bought for resupply or resale, (3) Goods no longer required by the Buyer, (4) Goods incorrectly chosen by the Buyer; or (5) Goods modified or altered by the Buyer (including changing colour).

Except as set forth herein, and except as to title, it is expressly agreed (A) that there is no warranty or merchantability or fitness for a particular purpose, nor other warranty express, implied or statutory nor any affirmation of fact, or promises by IRONMAN 4X4 Pty. Ltd. with reference to the goods which extends beyond the specifications, agreed upon by IRONMAN 4X4 Pty. Ltd. and the Buyer and (b) that the Buyer if any, mutually acknowledges that it is purchasing the goods solely on the basis of the commitments of IRONMAN 4X4 Pty. Ltd. expressly set forth herein. No person is authorised to change or add to any of IRONMAN 4X4 Pty. Ltd.'s obligations under this warranty. In no event shall IRONMAN 4X4 Pty. Ltd. be liable for anticipated profits or for incidental or consequential damages.

The Buyer agrees to indemnify and hold IRONMAN 4X4 Pty. Ltd. harmless from and against any loss, injury or damage, to person or property, that extends beyond the warranties set forth above, whether the claims against IRONMAN 4X4 Pty. Ltd. or the damages are incidental or consequential.

1 Year Warranty - *Accessories / Mining Accessories / Underbody Protection*

1 Year Warranty - *Suspension Replaceable Wearable Parts*

2 Year Warranty - *Premium Underbody Protection / GVM Upgrades / Load Plus*

3 Year Components Warranty - *Ice Cube Fridge/Freezers*

4 Year Unlimited km Warranty - *Suspension (excluding replaceable wearable parts)*

5 Year Warranty - *Monster Winches, Snorkel*

5 Year Compressor Warranty - *Ice Cube Fridge/Freezers*

Lifetime Limited Warranty - *TREDS*

IRONMAN 4X4 Pty. Ltd. warrants the original buyer, only when purchased new via authorised IRONMAN 4X4 Pty. Ltd. resellers and distributors, from date of sale.

Product is warranted against defects in material or workmanship that cause the product to perform below the specified limits set by IRONMAN 4X4 Pty. Ltd., to the extent that IRONMAN 4X4 Pty. Ltd. will repair or replace any parts which are found to be defective.

All warranty claims must be submitted via original purchasing store or chain, unless otherwise arranged.

Proof of original purchase must be presented upon request.

Products may require to be returned to IRONMAN 4X4 Pty. Ltd. for assessment or repair. Postage and removal costs involved are not the responsibility of IRONMAN 4X4 Pty. Ltd., and may only be considered upon discretion by IRONMAN 4X4 Pty. Ltd. in the event of such claim being verified.

The warranty does NOT apply where, 1) acts of neglect or misuse are evident, 2) product has been modified, 3) vehicles which are modified or not the recommended vehicle of use, 4) used in racing or competition conditions without the prior consent of IRONMAN 4X4 Pty. Ltd., 5) used beyond the expectations of the original vehicle manufacturer.

Before installation of any product, please ensure you have received the correct parts for your application.

Ordering of the correct parts is the responsibility of the Buyer. Return of a product in an unused condition will attract a 15% restock fee, where IRONMAN 4X4 Pty. Ltd. is not at fault.

Terms and Conditions

Return of used or soiled product, 1) outside warranty period, 2) without fault, will result in refusal of your claim and be returned at the Buyer's expense.

Damage to products through fitment error is not covered under warranty.

9. Damage

The Buyer acknowledges that the Goods leaving IRONMAN 4X4 Pty. Ltd's premises are adequately packed. Claims for damage in transit must be made against the carrier and, while IRONMAN 4X4 Pty. Ltd. will not accept liability for any damage, details of any claim must be promptly advised to IRONMAN 4X4 Pty. Ltd. Prior to acknowledging delivery to the carrier, the Buyer must ensure that the complete consignment has been received as specified in the carrier's note. Any shortage or visible damage to outer packaging must be endorsed on the carrier's note. Any shortages and/or damages must be reported to IRONMAN 4X4 Pty. Ltd. within 72 hours or receipt.

10. Title

10.1 Title to the Goods will not pass to the Buyer until the earlier of:

- (a) IRONMAN 4X4 Pty. Ltd. being paid in full under all Contracts; or
- (b) the sale by the Buyer of the Goods in its ordinary course of business (in which case the Buyer must keep an accurate account of each sale, hold the proceeds of each sale separate from the Buyer's own money and pay IRONMAN 4X4 Pty. Ltd. in full from the proceeds of the purchase price of each sale, despite that the payment is not otherwise due).

10.2 Until title to the Goods passes to the Buyer, the Buyer must:

- (a) hold the Goods as bailed for IRONMAN 4X4 Pty. Ltd. and keep them in good order and condition;
- (b) not remove any markings placed by IRONMAN 4X4 Pty. Ltd. and ensure that the Goods can be readily identified and distinguished from other property in the Buyer's possession; and
- (c) deliver the Goods to IRONMAN 4X4 Pty. Ltd. immediately upon demand and, for this purpose, IRONMAN 4X4 Pty. Ltd. is authorised to enter at any time any premises on which the Goods may be located (the costs incidental to which will be borne by the Buyer).

11. Risk

Risk in the Goods (including insurance responsibility) passes to the Buyer on delivery of the Goods to the place or carrier designated by the Buyer or, if sooner, possession of the Goods passes to the Buyer or its agent.

12. Implied Terms, Limitation of Liability and Buyers Indemnity

12.1 Subject to Clause 2, IRONMAN 4X4 Pty. Ltd's liability for any breach of a condition or warranty imposed or implied by law in respect of any Goods or services which are not of a kind ordinarily acquired for personal, domestic or household use or consumption (provided that this provision does not apply if the Buyer establishes that it is not fair or reasonable for IRONMAN 4X4 Pty. Ltd. to rely on it) will be limited to:

- (a) in the case of Goods supplied, any one or more of the following (as IRONMAN 4X4 Pty. Ltd. may determine):
 - (i) replacement of the Goods or the supply of equivalent goods; (ii) repair of the Goods;
 - (iii) payment of the cost of replacing the Goods or of acquiring or obtaining equivalent goods; or
 - (iv) payment of the cost of having the Goods repaired; and
- (b) in the case of services supplied, any one of the following (as IRONMAN 4X4 Pty. Ltd. may determine):
 - (i) supplying the services again; or (ii) payment of the costs of having the services supplied again.

12.2 Subject to these Terms, IRONMAN 4X4 Pty. Ltd. will not be liable for any loss, damage, expense or injury of any kind or nature suffered or incurred by the Buyer or any other person, arising out of or in connection with, the Contract (including, without limitation, liability due to negligence or wilful default of IRONMAN 4X4 Pty. Ltd. and any delay in delivery) or any error (whether negligent or not) in information supplied to the Buyer in connection with its subject matter or the use, possession or delivery of the Goods or the exercise by IRONMAN 4X4 Pty. Ltd. of its rights under Clause 16 and the Buyer will indemnify IRONMAN 4X4 Pty. Ltd. in relation to any such loss, damage, expense or injury.

13. Claims

Any claim made by the Buyer must be in writing and contain the particulars specified in the IRONMAN 4X4 Pty. Ltd's 'Application for Exchange or Credit' or 'Applications for Warranty' and be received by IRONMAN 4X4 Pty. Ltd. within 14 days after delivery of the Goods. Subject to the Contract, no claim for credit will be recognised where (1) the Goods are made to special order or the Buyer's specifications or drawings, (2) are no longer required by the Buyer, (3) are returned without the particulars required by this Clause, (4) the Buyer has modified or altered the Goods (including changing colour) or (5) if the IRONMAN 4X4 Pty. Ltd. Catalogue stipulates that return will not be accepted. If the Buyer insists on returning the Goods, it must pay IRONMAN 4X4 Pty. Ltd. a handling fee equal to 40% of the price of the Goods.

14. Force Majeure

Despite any other Term or condition of the Contract, IRONMAN 4X4 Pty. Ltd. will not be liable for any loss, damage, expense or injury of any kind or nature suffered or incurred by the Buyer or any other person, arising out of or in connection with any delay in delivery, or failure to perform any other term or condition of the Contract where that delay or failure is caused by an act of God, fire, labour dispute, civil commotion, intervention of a Government, inability to obtain labour, materials or manufacturing facilities, accidents, interruptions of or delay in transportation or any other cause beyond IRONMAN 4X4 Pty. Ltd's reasonable control

15. Errors or Omissions

IRONMAN 4X4 Pty. Ltd. has the right to correct any clerical errors or omissions, whether in computation or otherwise in any quotation, acknowledgment or document forming part of a Contract.

16. Breach by Buyer

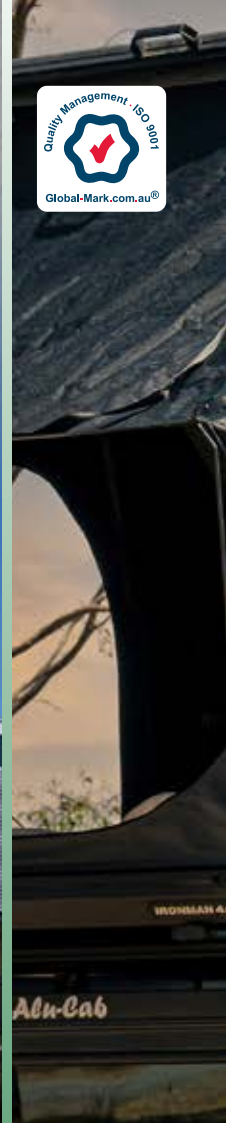
If the Buyer breaches a Contract or IRONMAN 4X4 Pty. Ltd. is not satisfied of a Buyer's ability to pay or otherwise comply with each Contract, IRONMAN 4X4 Pty. Ltd. may by notice to the Buyer, but without compensation, terminate every Contract, suspend or cease deliveries under all Contracts, set-off all deposits against amounts due and made all amounts then outstanding by the Buyer to IRONMAN 4X4 Pty. Ltd. immediately due and payable.

17. Waiver

IRONMAN 4X4 Pty. Ltd's right under the Contract are cumulative and in addition to any other rights. No delay or failure by IRONMAN 4X4 Pty. Ltd. to enforce any right is a waiver of that right. Any waiver by IRONMAN 4X4 Pty. Ltd. of any term or breach of the Contract is not to be taken as a continuing waiver or a waiver of any subsequent breach.



{IRONMAN} 4X4



4WD AND TOURING
GEAR PRODUCT

ACCESSORIES AND SUSPENSION
PRODUCT BY VEHICLE

ACCESSORY SPARE PARTS

PRODUCT INSTALL
TIME GUIDE

GVM UPGRADES

SUSPENSION SELECTION
AND INFORMATION

SUSPENSION TECHNICAL
SPECIFICATIONS

ACCESSORY TECHNICAL
SPECIFICATIONS



MELBOURNE, AUSTRALIA

2-8 Bessemer Drive,
Dandenong South,
Victoria 3175 Australia

BANGKOK, THAILAND

576 Soi Srinakarin 60,
Srinakarin Road, Nongbon,
Prawet, Bangkok,
10250 Thailand

OREGON, UNITED STATES

12905 SW Tualatin-Sherwood Rd,
Sherwood, OR, 97062
United States of America

To contact IRONMAN 4X4
call 1300 731 137 or visit us at:

WWW.IRONMAN4X4.COM

 Find us on Facebook
facebook.com/Ironman4x4au

INTERNATIONAL