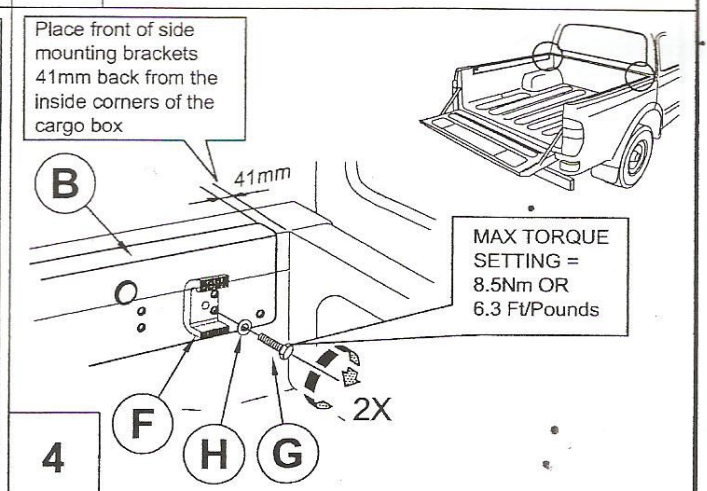
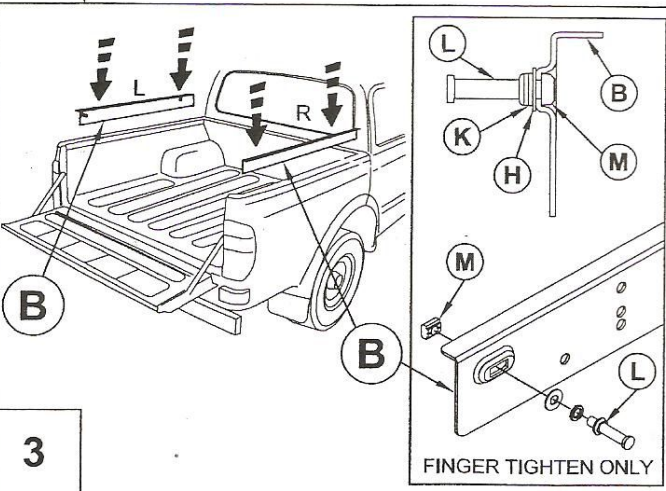
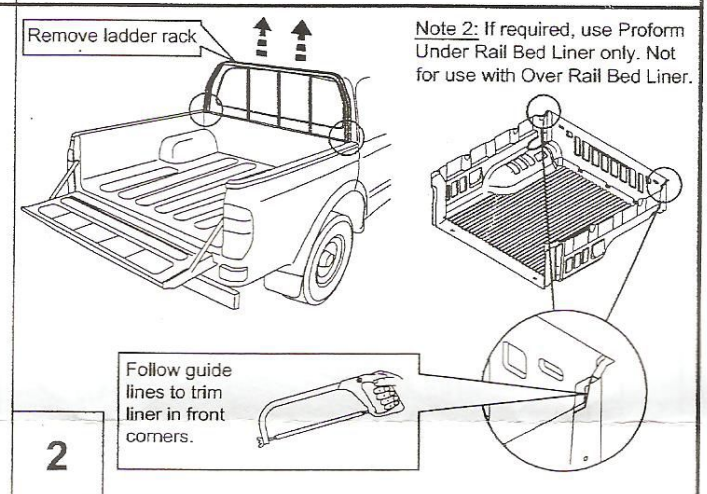
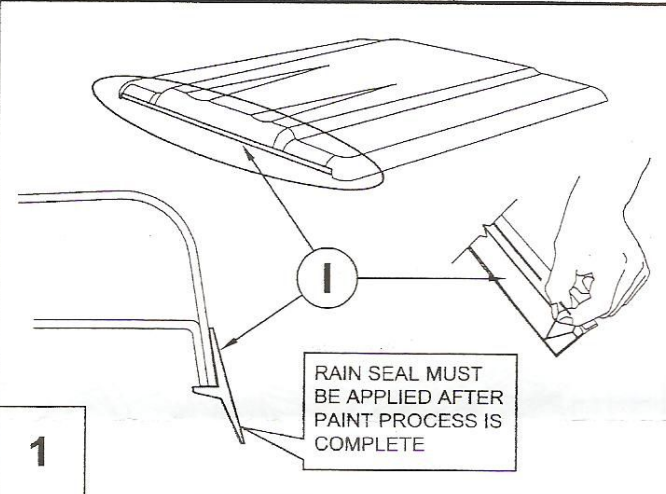
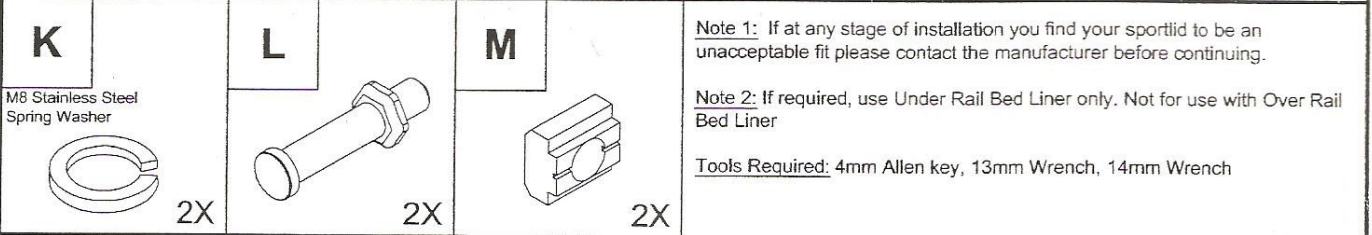
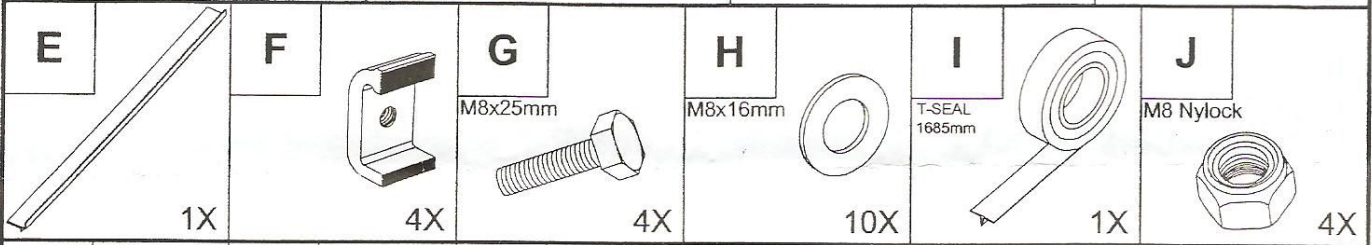
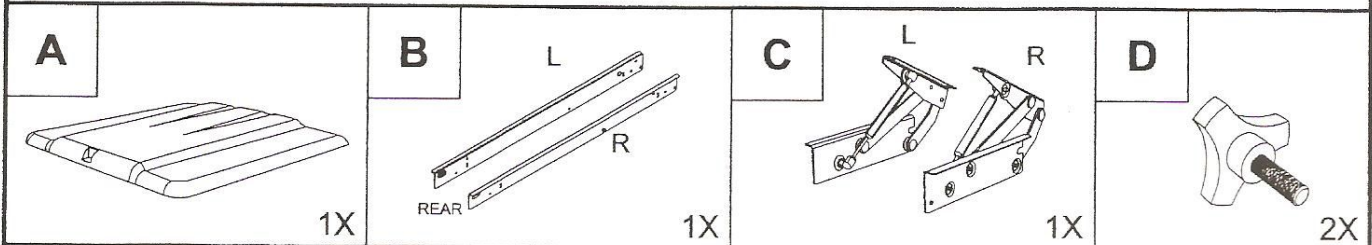
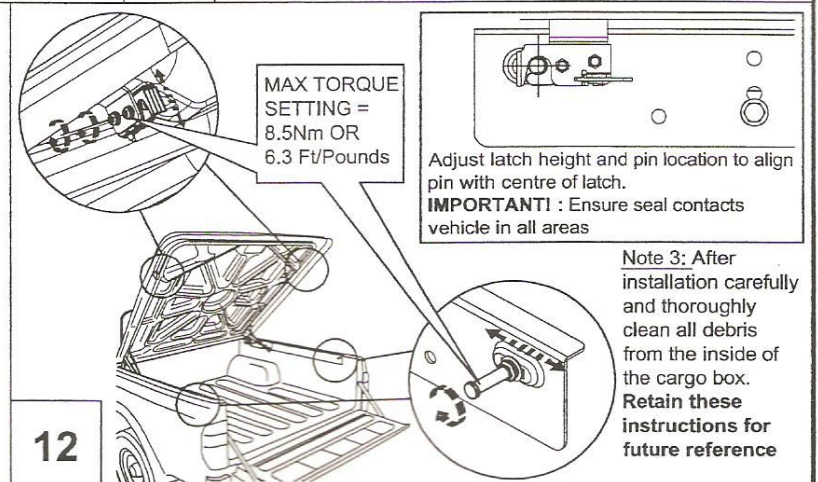
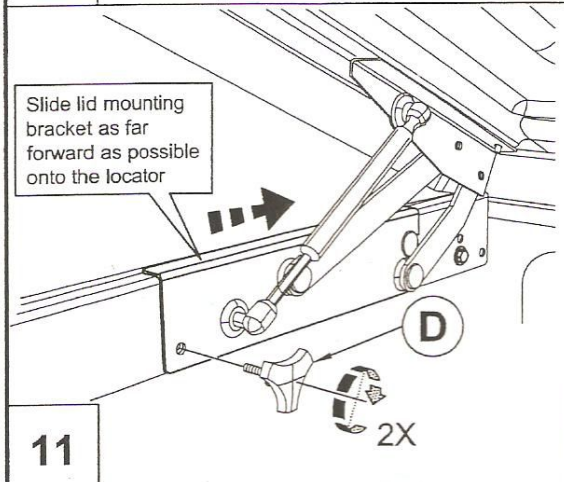
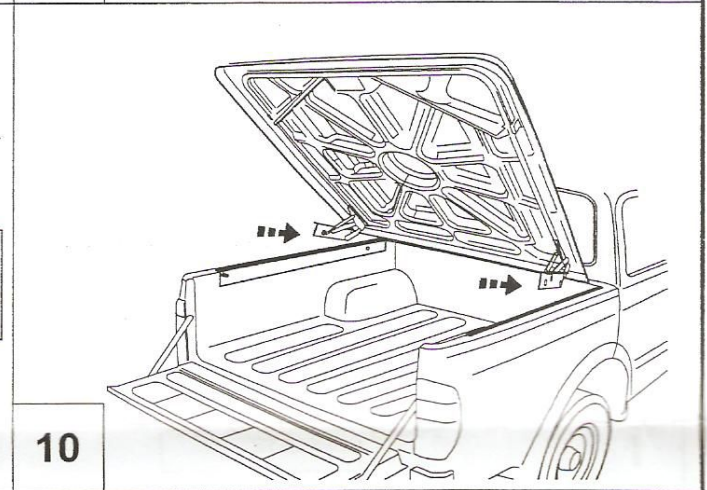
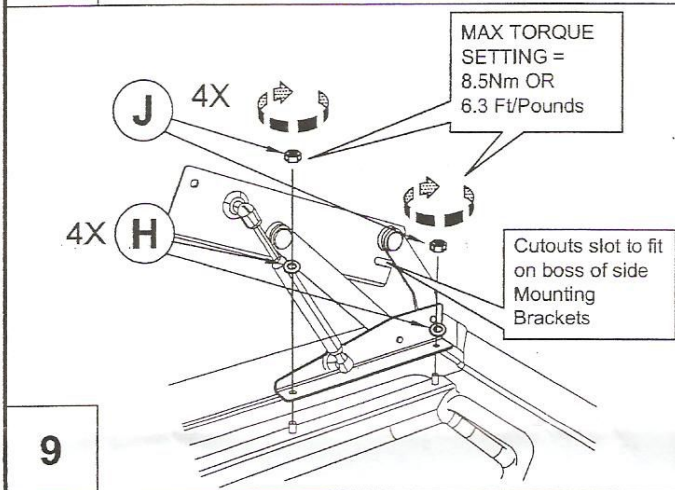
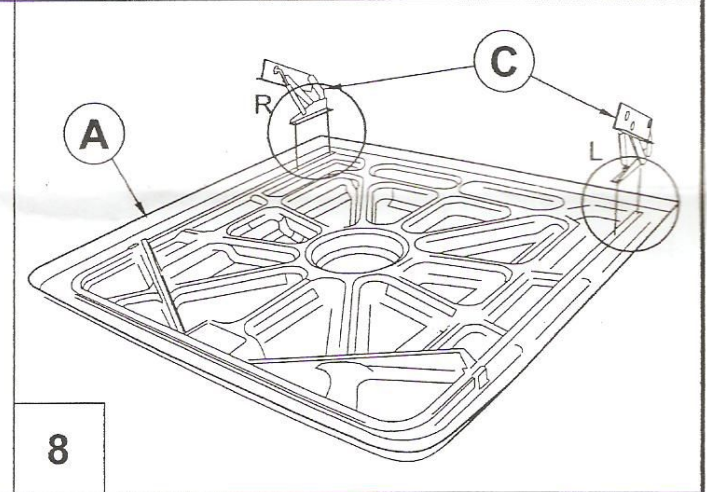
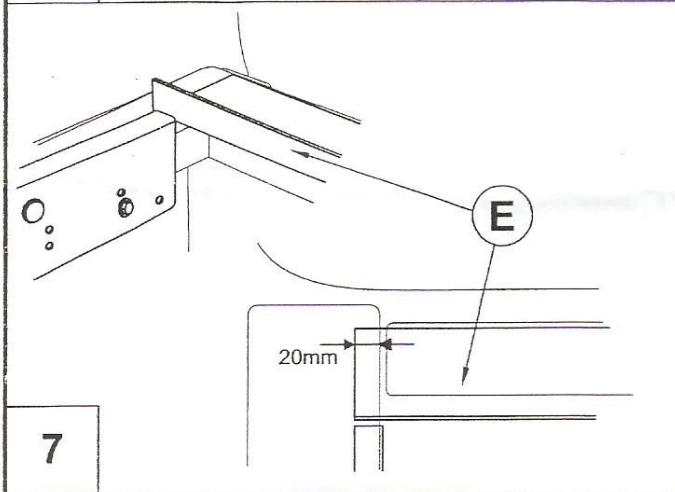
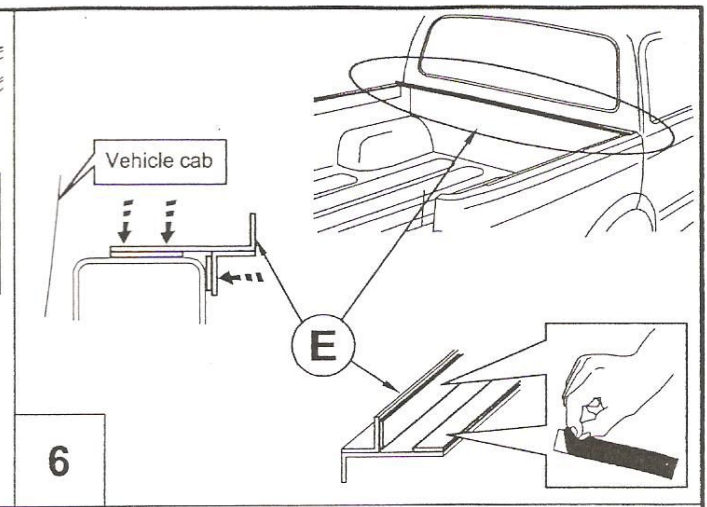
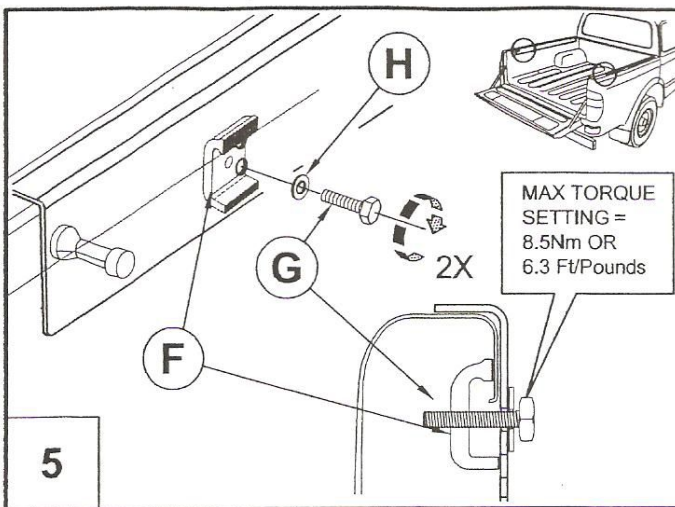




INSTALLATION INSTRUCTIONS (K133) Ford-Ranger T6-2011-Double Cab-Sportlid I



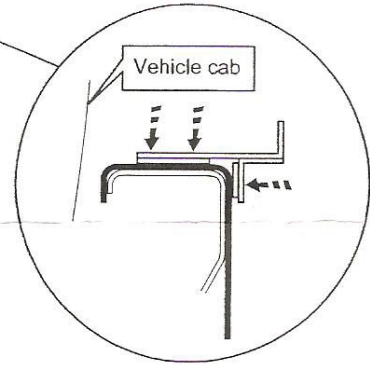
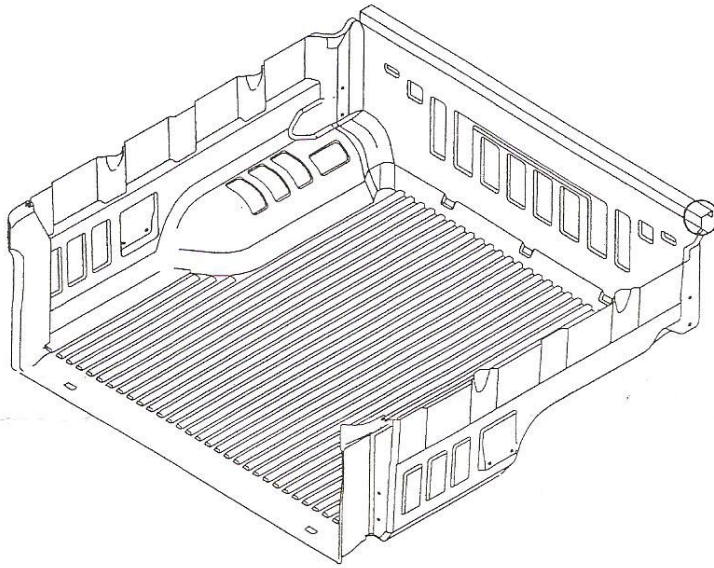
Fitting Kit Number	Manufacturer	Model Type	Year	Stockist	Cab Size	Product	Revision	Date	Page
IDFK133	Ford	Ranger	2011	General Use	DC	Sportlid 1	1	31-10-11	1 of 3



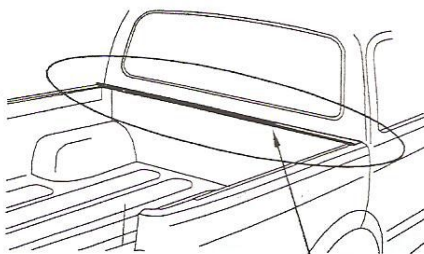
Fitting Kit Number	Manufacturer	Model Type	Year	Stockist	Cab Size	Product	Revision	Date	Page
IDFK133	Ford	Ranger	2011	General Use	DC	Sportlid 1	1	31-10-11	2 of 3



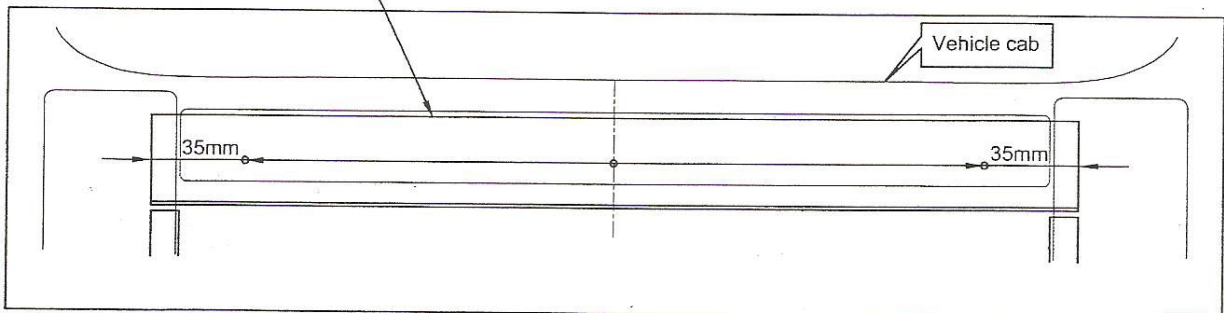
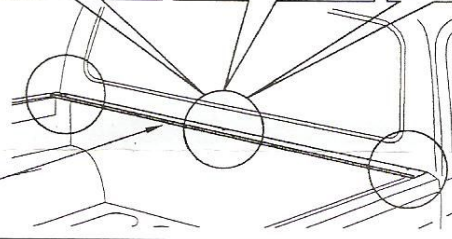
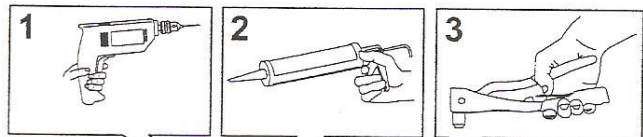
OPTIONAL FITTING OF GUTTER :
PROFORM UNDER RAIL LINER WITH FRONT RAIL CAP



OPTIONAL
SILICONE & RIVET x 3
(NOT SUPPLIED)



E



Fitting Kit Number	Manufacturer	Model Type	Year	Stockist	Cab Size	Product	Revision	Date	Page
IDFK133	Ford	Ranger	2011	General Use	DC	Sportlid 1	1	31-10-11	3 of 3