



- Extra reinforced steel cast body through the heat treatment and industrial design.
- Light and robust design
- 100% Holding negative-acting hydraulic brake system.
- Standard pressure roller and roller fairlead.
- Easy assembly, high rope capacity and high torque hydromotor.
- Standard manual rope unloading system.
- EN 14492-1 : 2006 Power driven winches supported
- CE Machinery Directive 2006/42/EC

## Specifications

Max. pulling capacity (kg / lbs)	: 5600 kg ( 12342 lbs ) lbs)
Max. rope length (m / ft)	: 48.6 m ( 159.4 ft )
Max. rope length for for EN (m/ ft)	: 36 m ( 118 ft )
Recommended wire rope (mm / in)	: 12 mm ( 1/2" ) 2160 Mpa
Hydromotor (cc / in <sup>3</sup> )	: 400 cc ( 24 in <sup>3</sup> )
Max. pump flow (L / min - g / min)	: 60 L ( 15.8 g )
Gear ratio	: 5,2 : 1
Oil types and capacity	: 85W 90 - 0,9 L
Max. working pressure (bar / psi)	: 155 bar (2247 psi)

## Winch : (kg / lbs)

90 kg (198.4 lbs)

## Roller Fairlead : ( kg / lbs )

9 kg ( lbs)

## Cable Tensioner :( kg / lbs )

4 kg (9 lbs)

## Mounting Bolts

16 pieces M12 8,8

## Standards

Cable tensioner  
Roller Fairlead  
Manual Clutch

## Optional

Air Clutch  
IP67 - IP 68

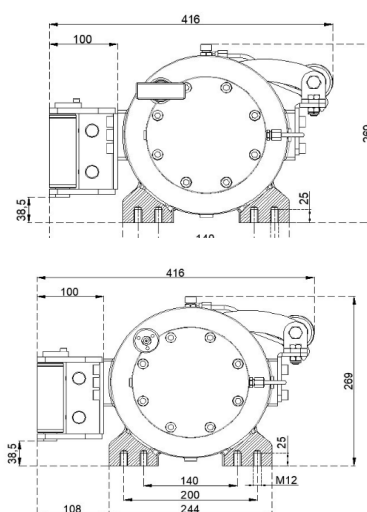
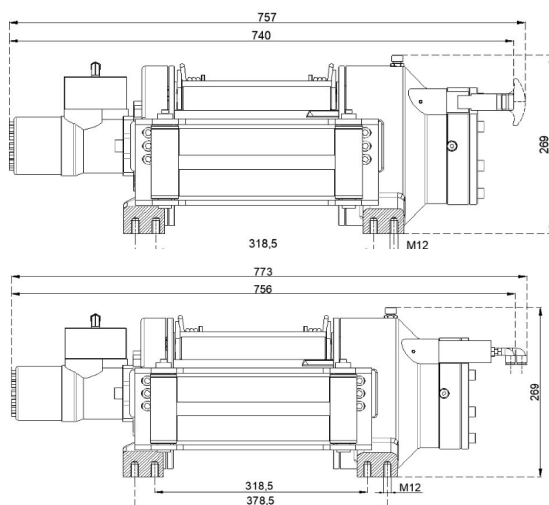
## Hydraulic Inlets

G 1/2"

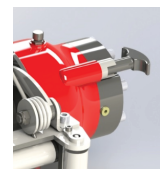
Rope Winding Layer	Pulling Capacity kg / lbs	Rope Speed m / min - ft / min	Rope Length m / ft
1	5600 kg / 12342 lbs	10 m/min - 33 ft/min	7.35 m / 24.1 ft
2	4758 kg / 10486 lbs	12 m/min - 39 ft/min	15.7 m / 51.5 ft
3	4136 kg / 9116 lbs	14 m/min - 46 ft/min	25.3 m / 83 ft
EN 4	3657 kg / 8062 lbs	16 m/min - 52 ft/min	36 m / 118 ft
5	3278 kg / 7226 lbs	17 m/min - 58 ft/min	48.6 m / 159.4 ft

## Warning !

- Before operating the winch, A-B lines must be open to T line (tank line) of the control valve in center position.
- This winch is designed and manufactured for pulling, don't lift person or material.
- Always keep last 5 wrap on the drum.
- The technical details given above are just for information.
- HAMMER WINCH keeps the right to change the technical details.
- Pneumatic working pressure: Min 9 bar - Max 12 bar (Min 130 psi - Max 174 psi)



Manual Clutch



Air Clutch

