



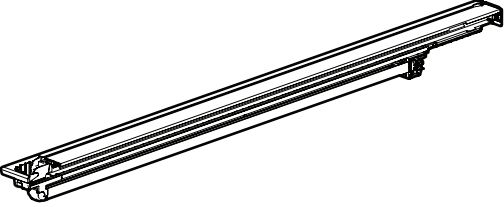
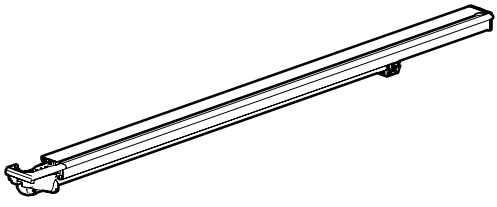
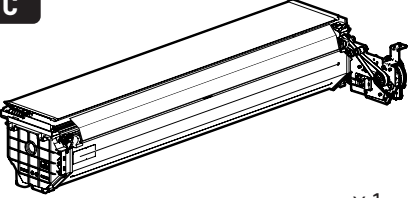

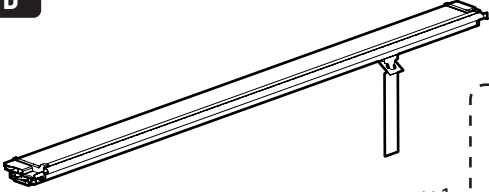

MOUNTAIN TOP[®] EVOe

Installation manual

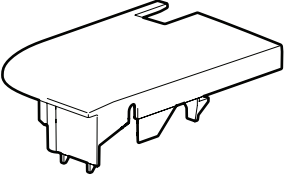
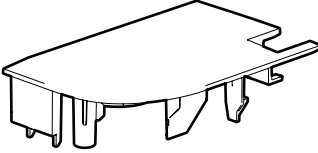


DOWNLOAD PDF

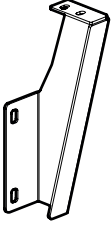
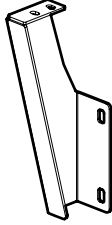


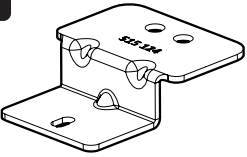
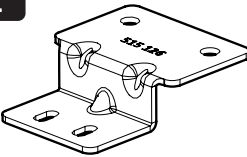
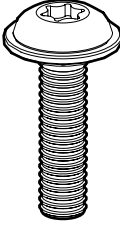
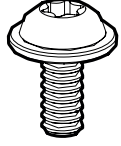
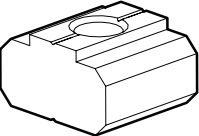
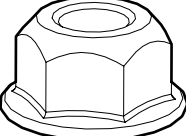
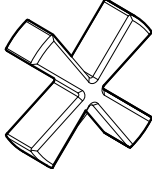
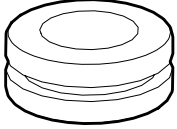
Parts

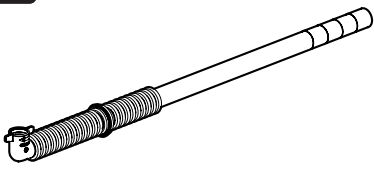
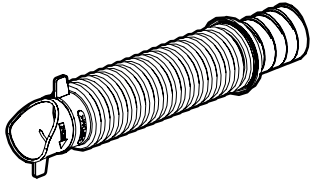
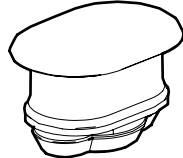

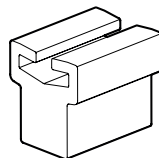
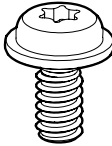
<p>A</p>  <p>x1</p>	<p>B</p>  <p>x1</p>
<p>C</p>  <p>x1</p> <div style="border: 1px dashed black; padding: 5px; display: inline-block;"> <p>X2</p>  <p>x2</p> </div>	<p>D</p>  <p>x1</p> <div style="border: 1px dashed black; padding: 5px; display: inline-block;"> <p>Y2</p>  <p>x1</p> </div>

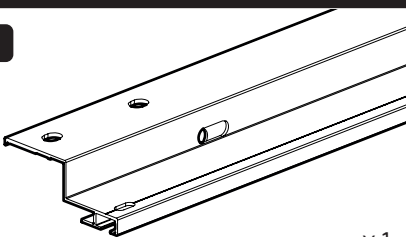
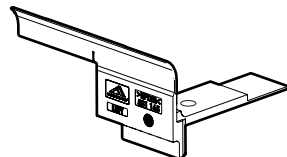
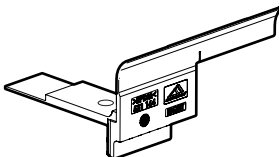
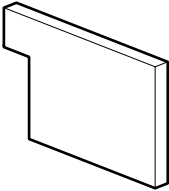
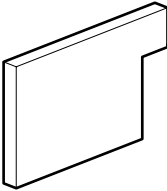
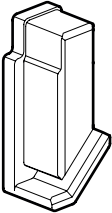
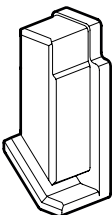
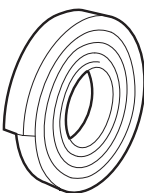

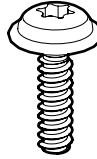
Kit

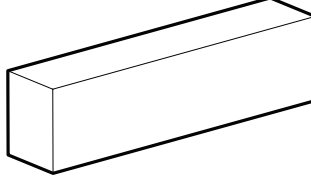
<p>E</p>  <p>LEFT x1</p>	<p>F</p>  <p>RIGHT x1</p>
--	--

Kit

<p>G</p>  <p>x1</p>	<p>H</p>  <p>x1</p>	<p>I</p>  <p>x1</p>	<p>J</p>  <p>x1</p>
<p>K</p>  <p>Rap Cab: x 0 Double Cab: x 2</p>	<p>L</p>  <p>Rap Cab: x 4 Double Cab: x 2</p>	<p>M</p>  <p>M8x30 x 18</p>	<p>N</p>  <p>Rap Cab: x 16 Double Cab: x 14</p> <p>M6x12</p>
<p>O</p>  <p>x6</p>	<p>P</p>  <p>x6</p>	<p>Q</p>  <p>x2</p>	<p>R</p>  <p>x1</p>

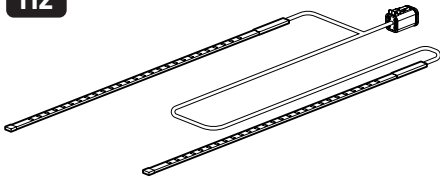
Kit		
S  x 2	T  x 2	U  x 2
V  M6x30 x 2	W  Rap Cab: x 7 Double Cab: x 5	X  M6x16 Rap Cab: x 7 Double Cab: x 5

Kit			
A2  x 1	B2  x 1	C2  x 1	
D2  x 1	E2  x 1	F2  x 1	
G2  x 1	H2  6x25mm x 2	I2  6x10mm x 1	J2  M5x14 x 2

Kit
K2  20x25x100mm x 2

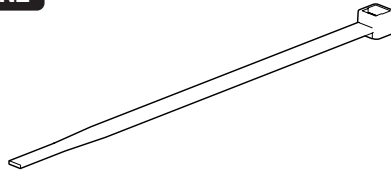
LED Kit

M2



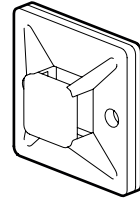
x1

N2



x6

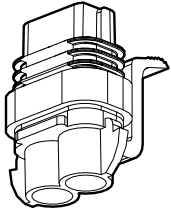
O2



x6

Power supply kit

P2



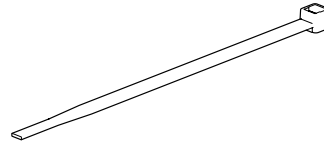
x1

Q2



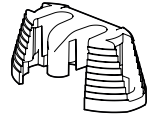
x1

R2



x6

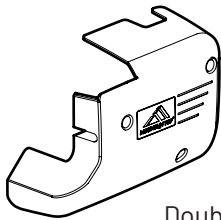
S2



x1

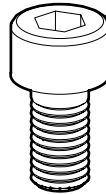
Kit

T2



Double Cab: x1

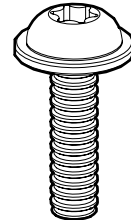
U2



M5x10

Double Cab: x3

V2

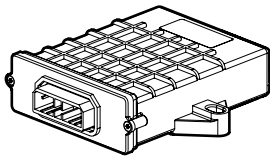


M6x20

x2

Kit

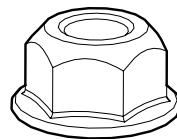
W2



x1

Kit

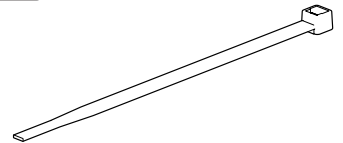
Z2



M6

x2

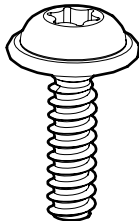
Z3



x10

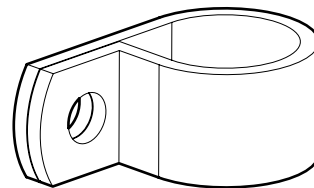
Kit for Rap Cap

A3



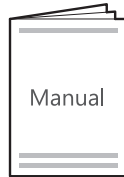
x2

B3



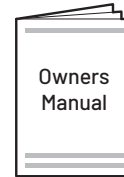
x2

Kit



Manual

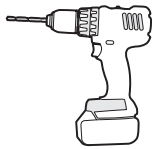
x1



Owners
Manual

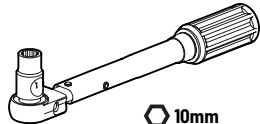
x1

Tools needed



Ø3.5 + Ø10 MM

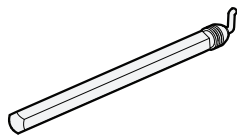
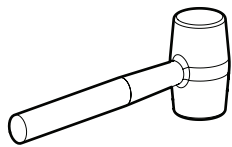
1 - 25 Nm



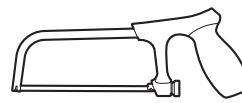
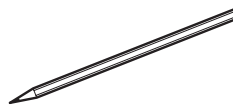
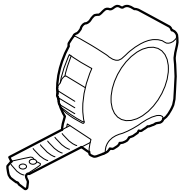
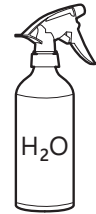
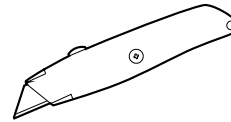
10mm
T20, T30, T40



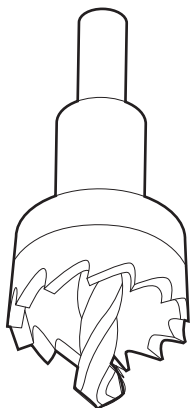
Rust protection
Rostschutzmittel
Anti-rouille
Anti roest



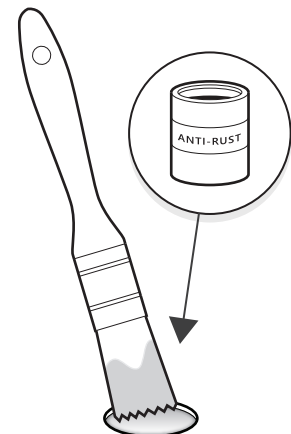
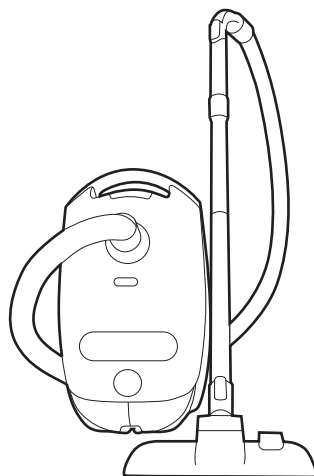
Silicone (RTV)



Applying rust protection



Ø18 / Ø30 / Ø40 mm





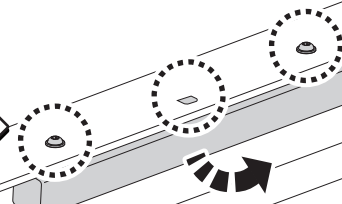
**If sheet metal is scratched during installation,
apply rust protection to damaged areas**

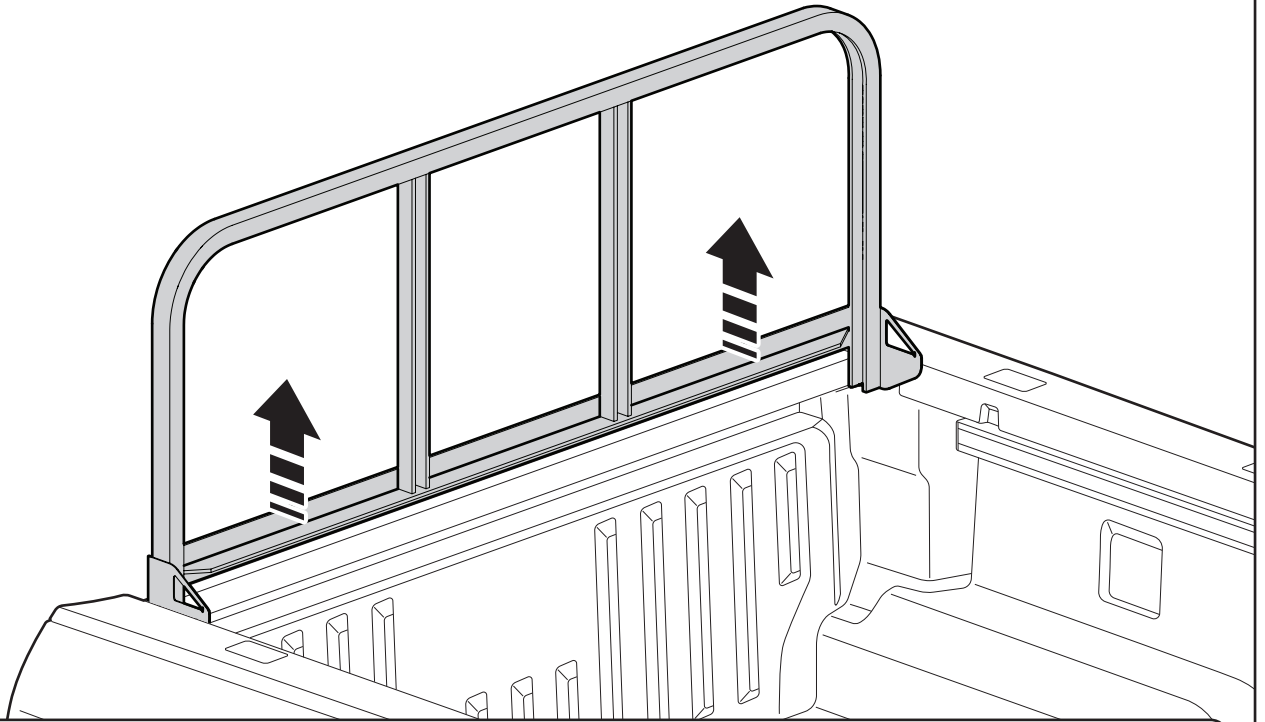


**Tie must not be attached to AC lines
(AC lines are the metal pipes in the engine bay)**

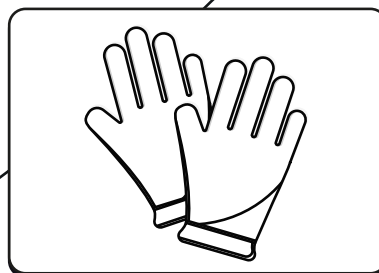


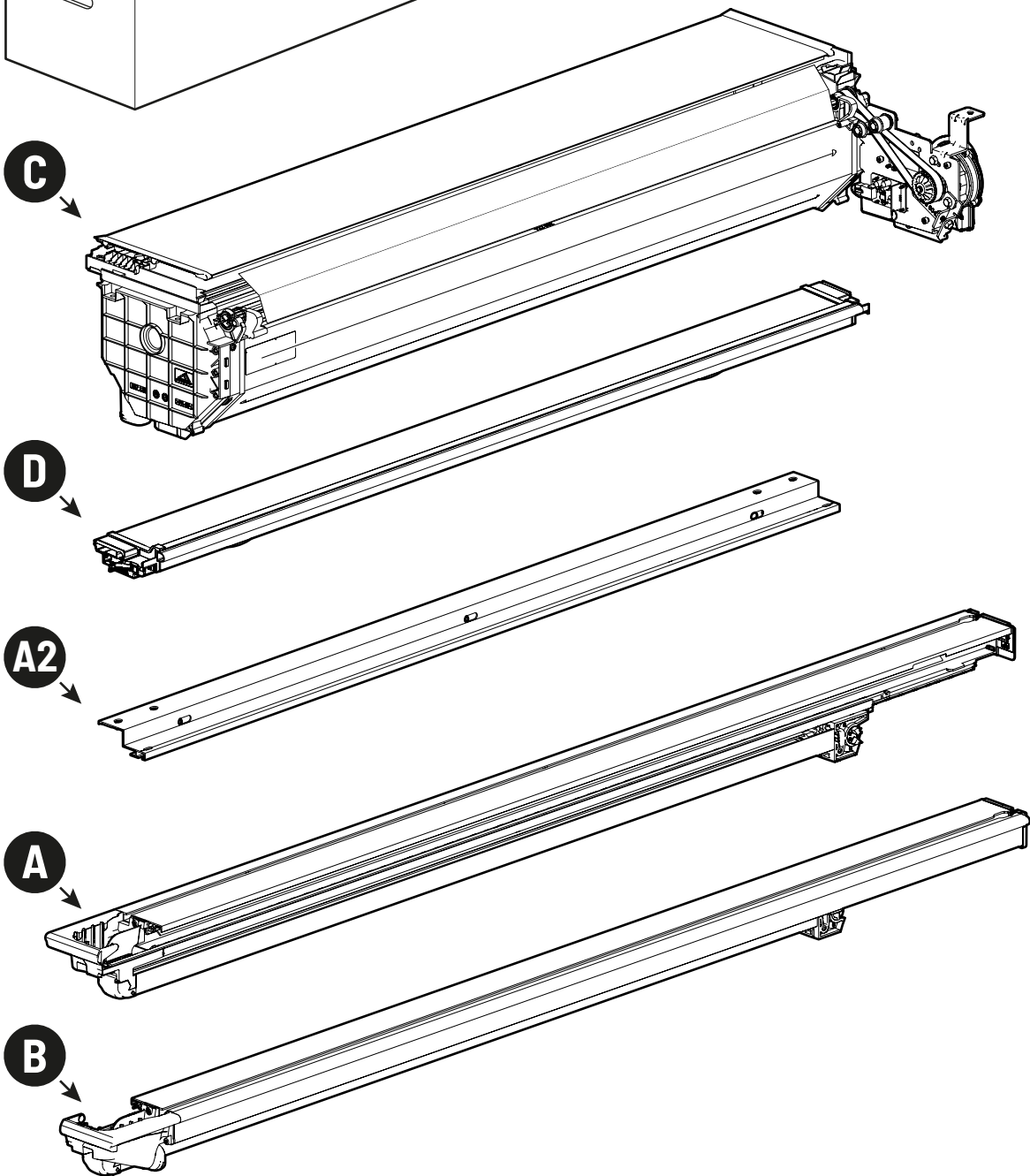
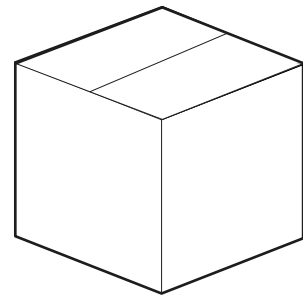
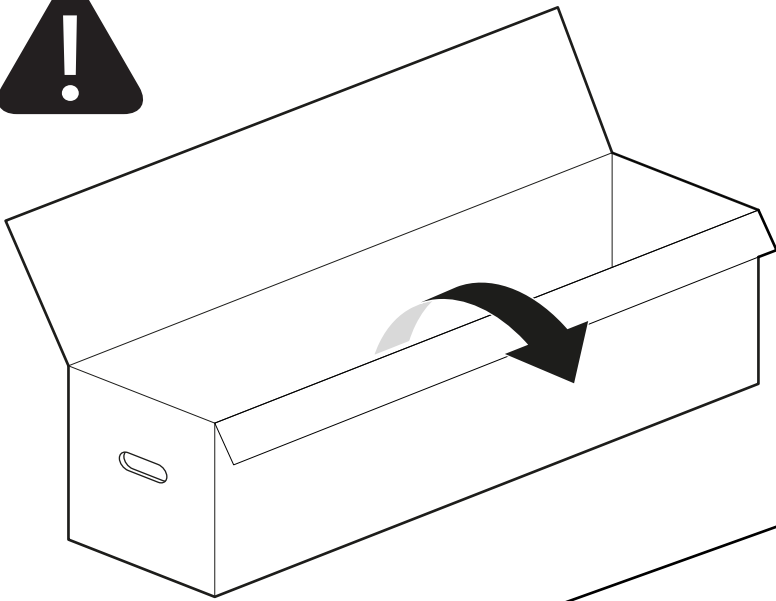
**Remove mass damper on tub
headboard prior to installing
Rollershutter (only applicable to
RAP CAB Variants)**



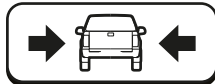


Rollershutter not compatible with load rest bar - part cannot be re-installed once Rollershutter have been installed (store parts)

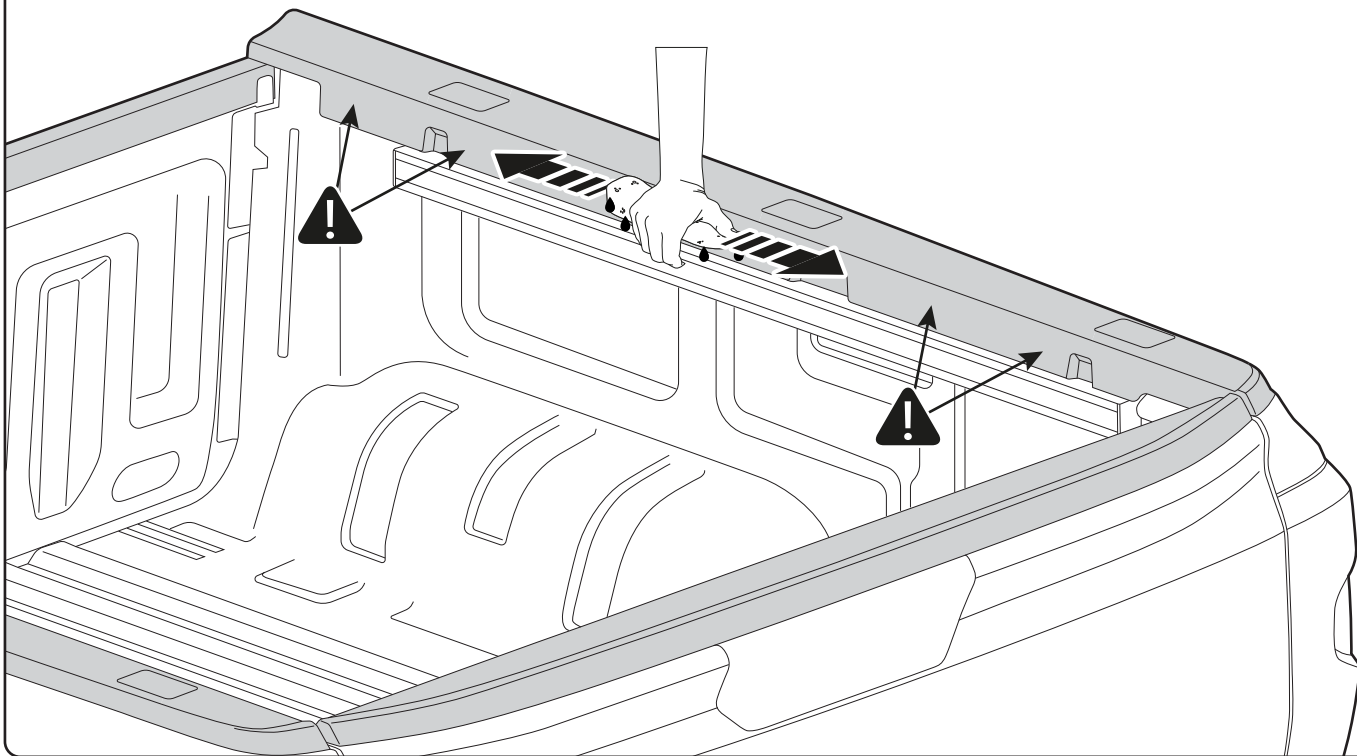




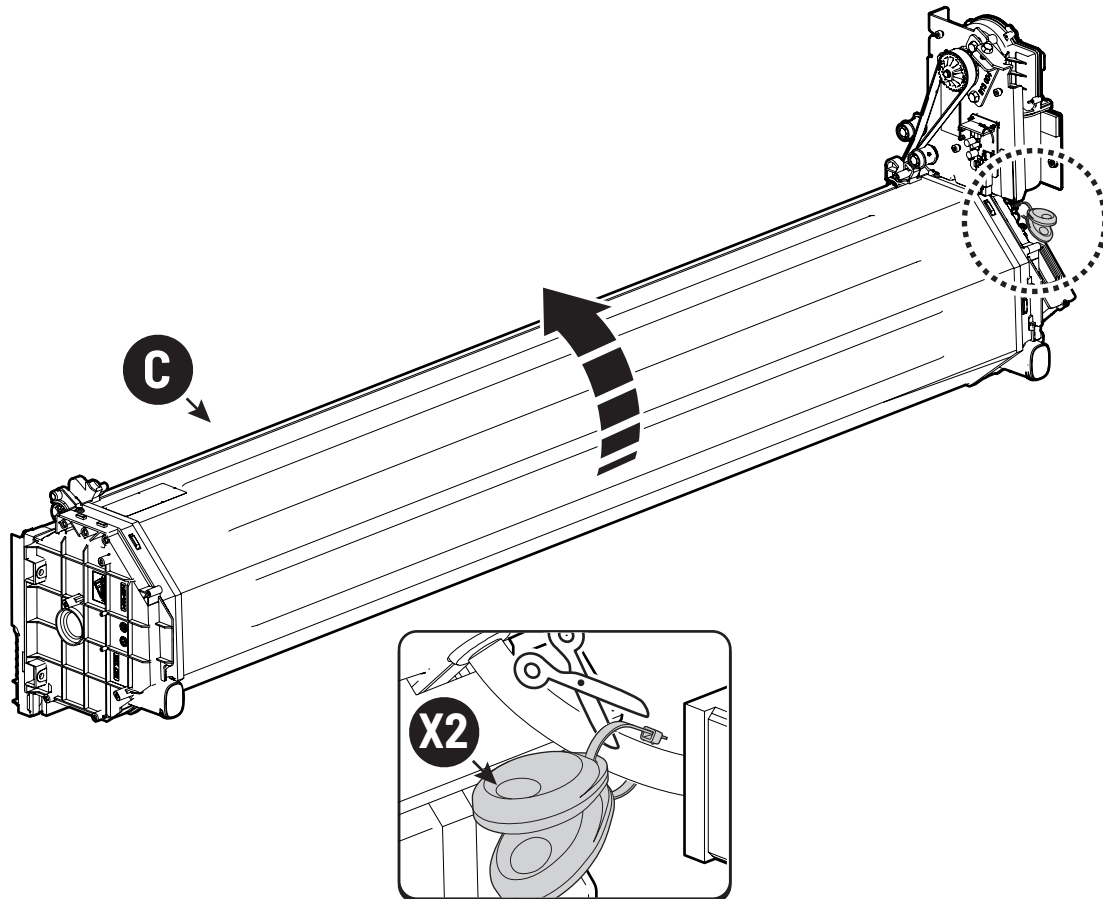
 Water & sponge

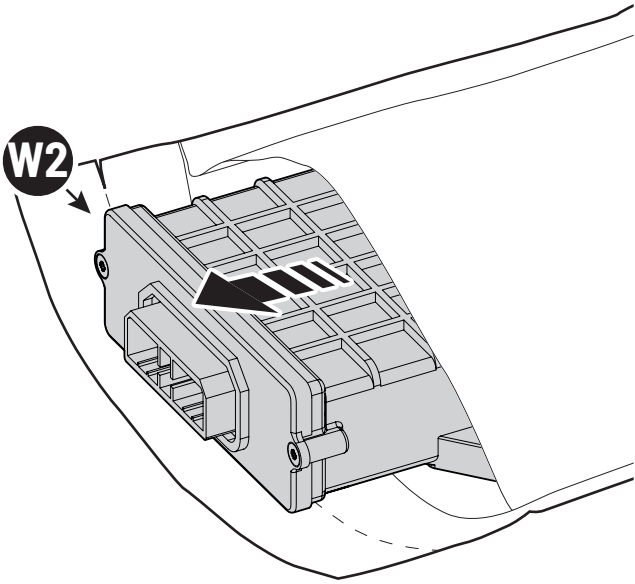


2

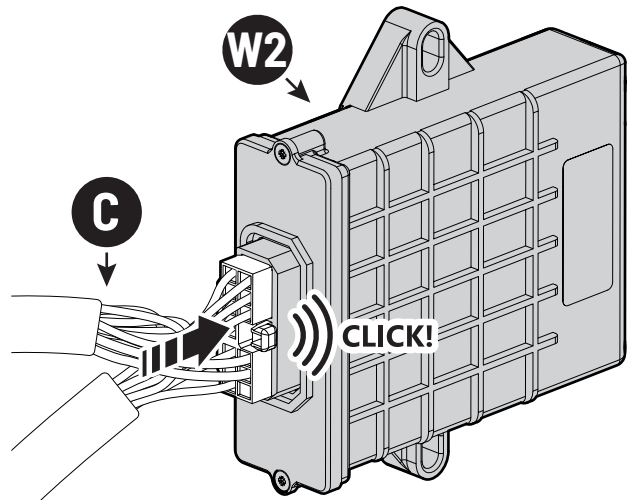


3





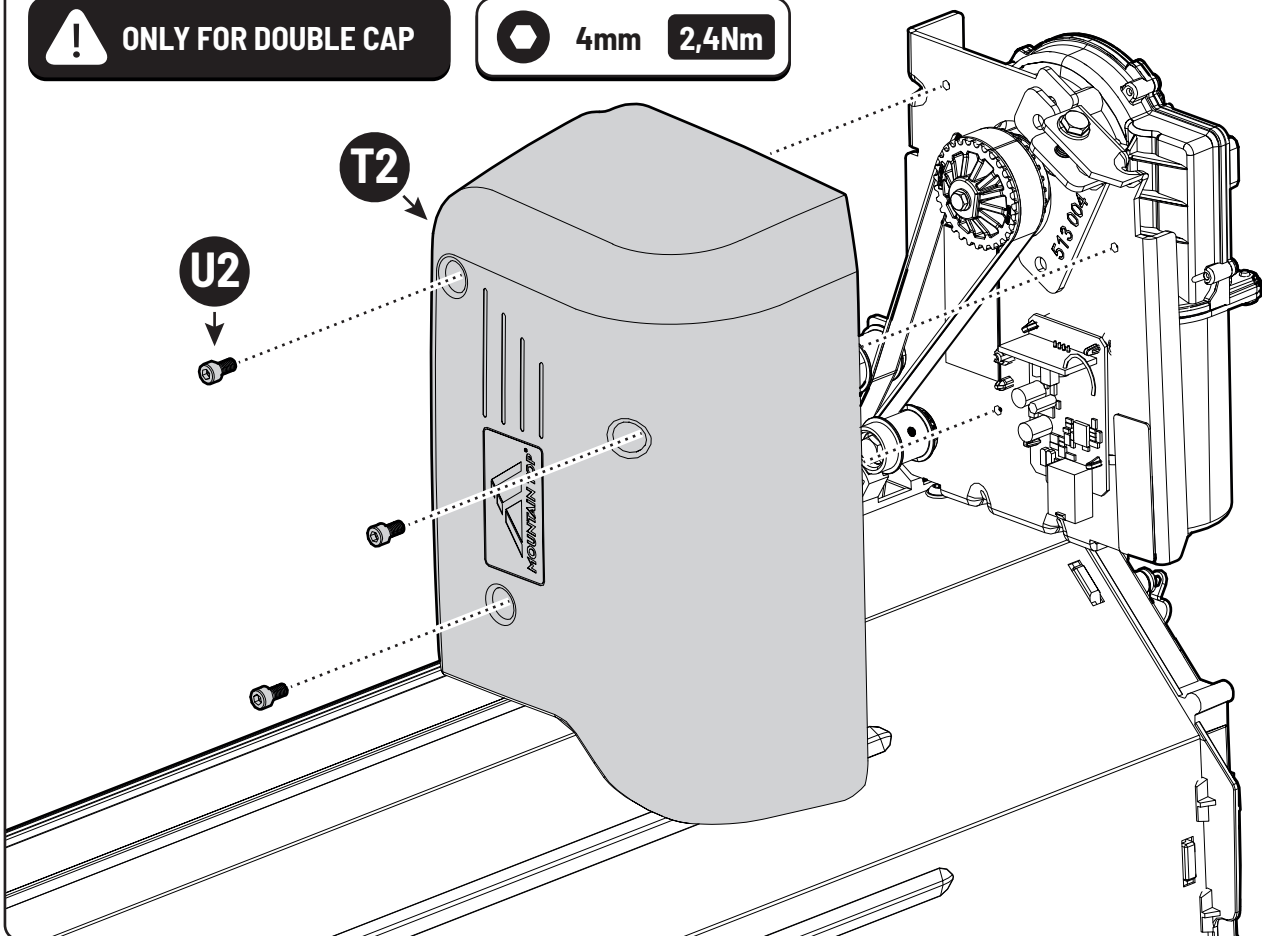
1

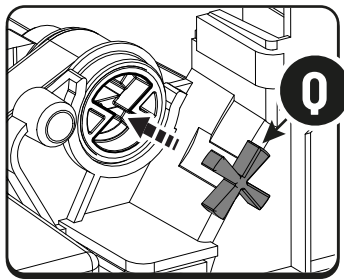
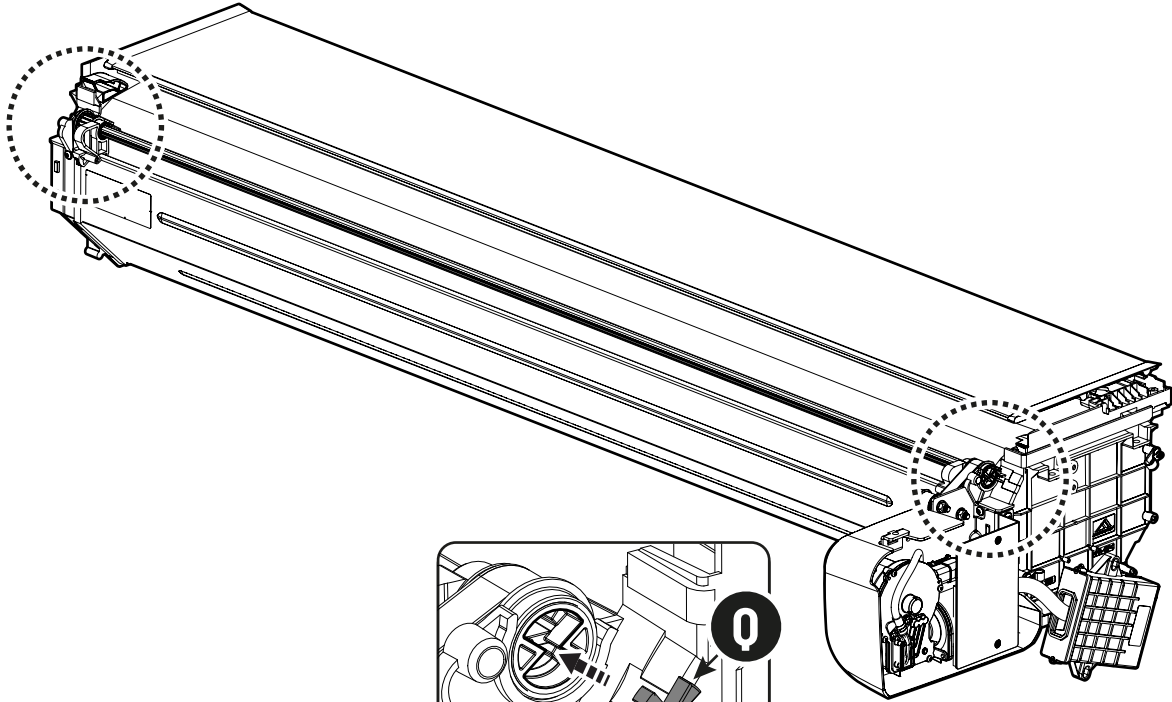
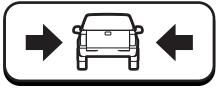


2

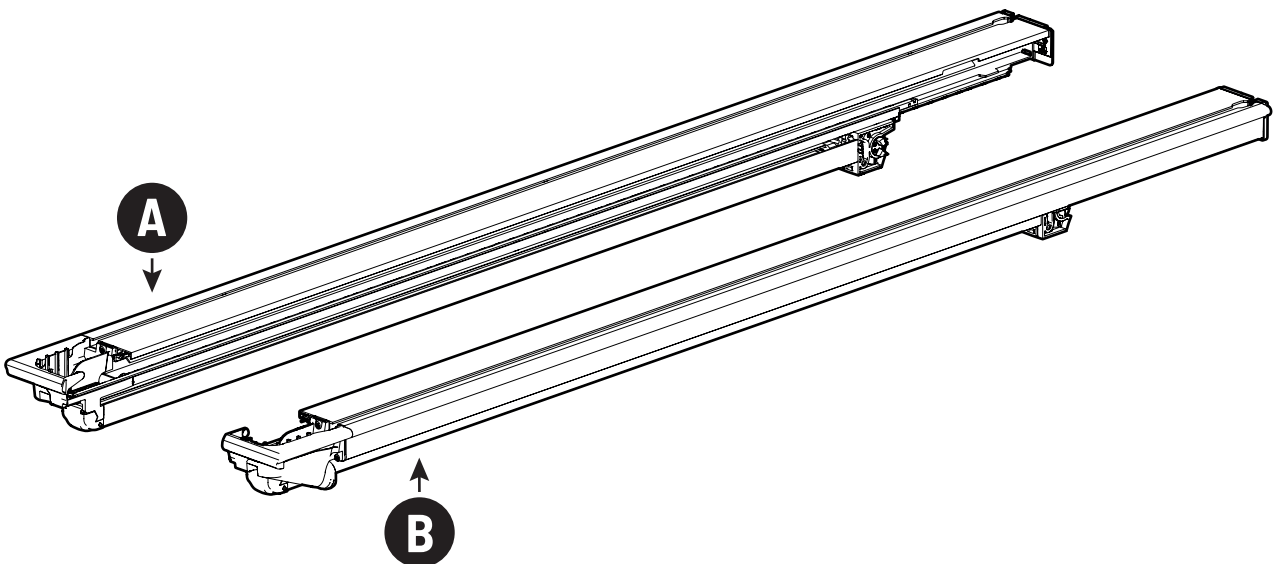
! ONLY FOR DOUBLE CAP

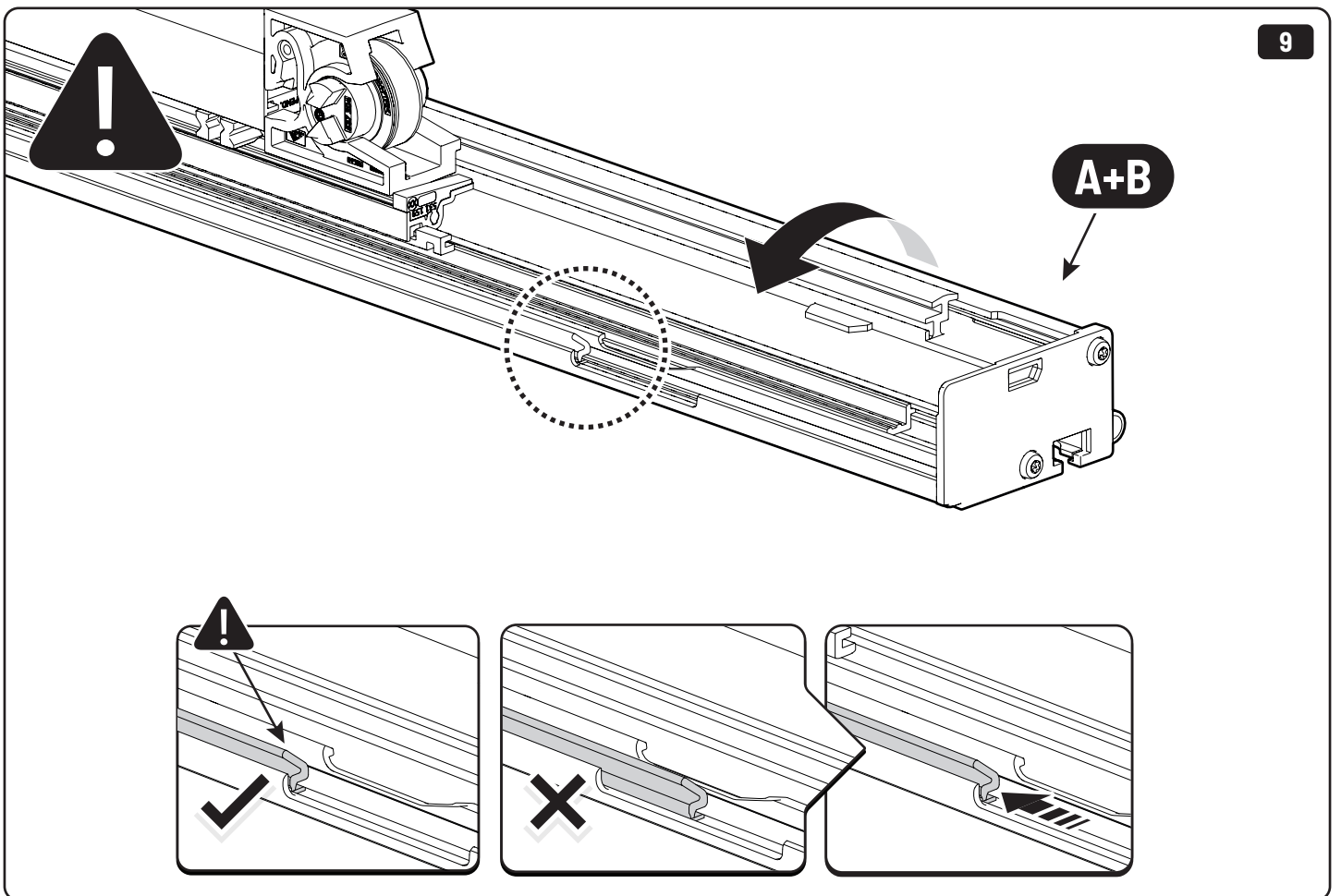
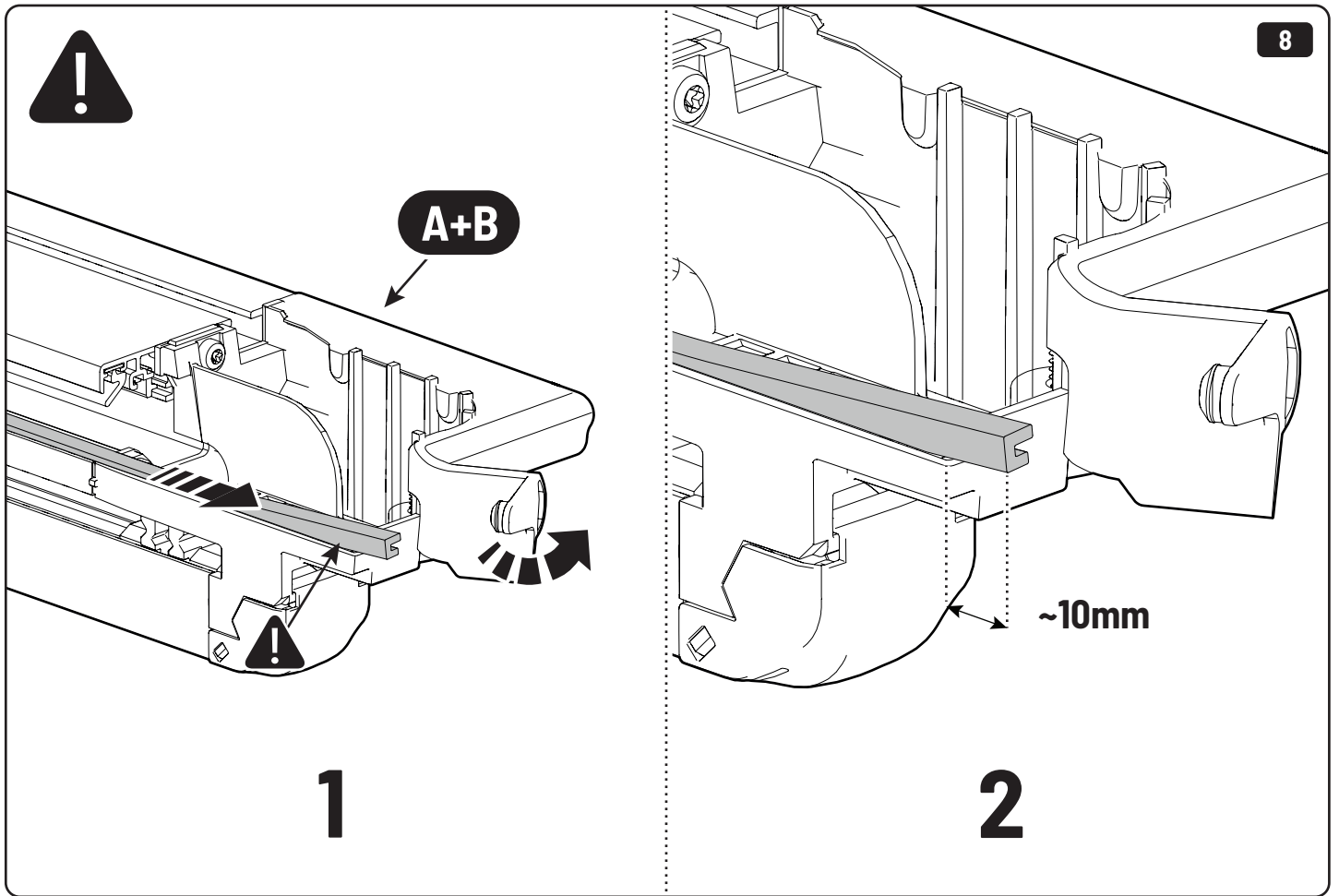
4mm **2,4Nm**



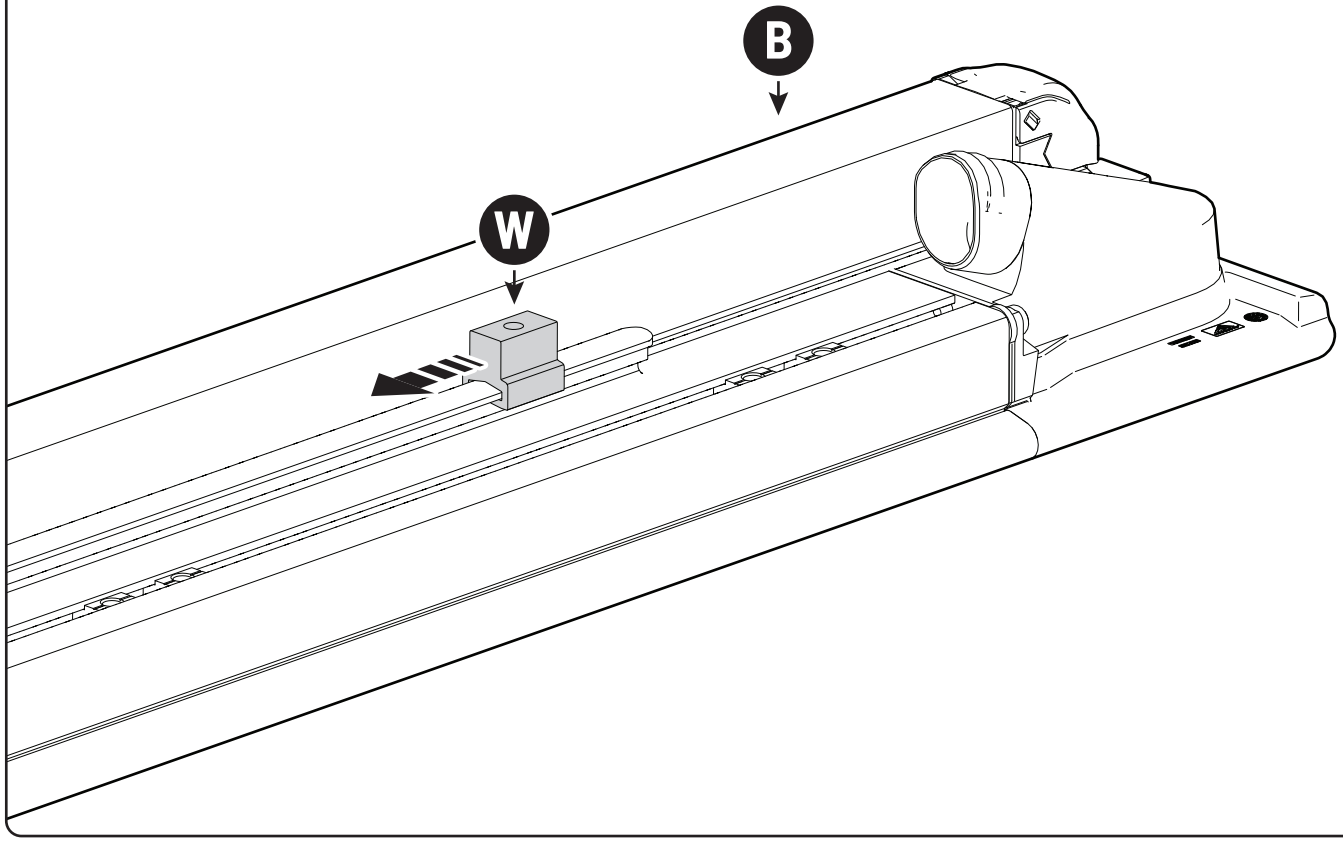
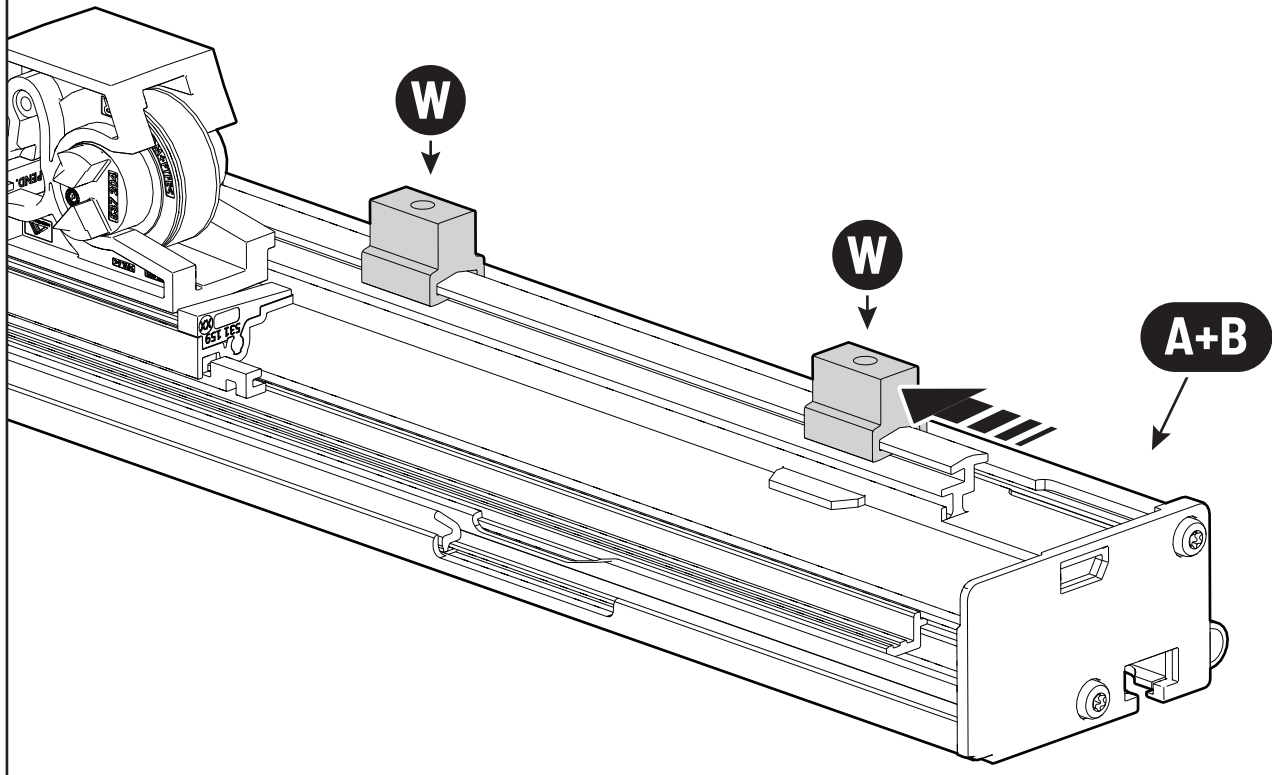


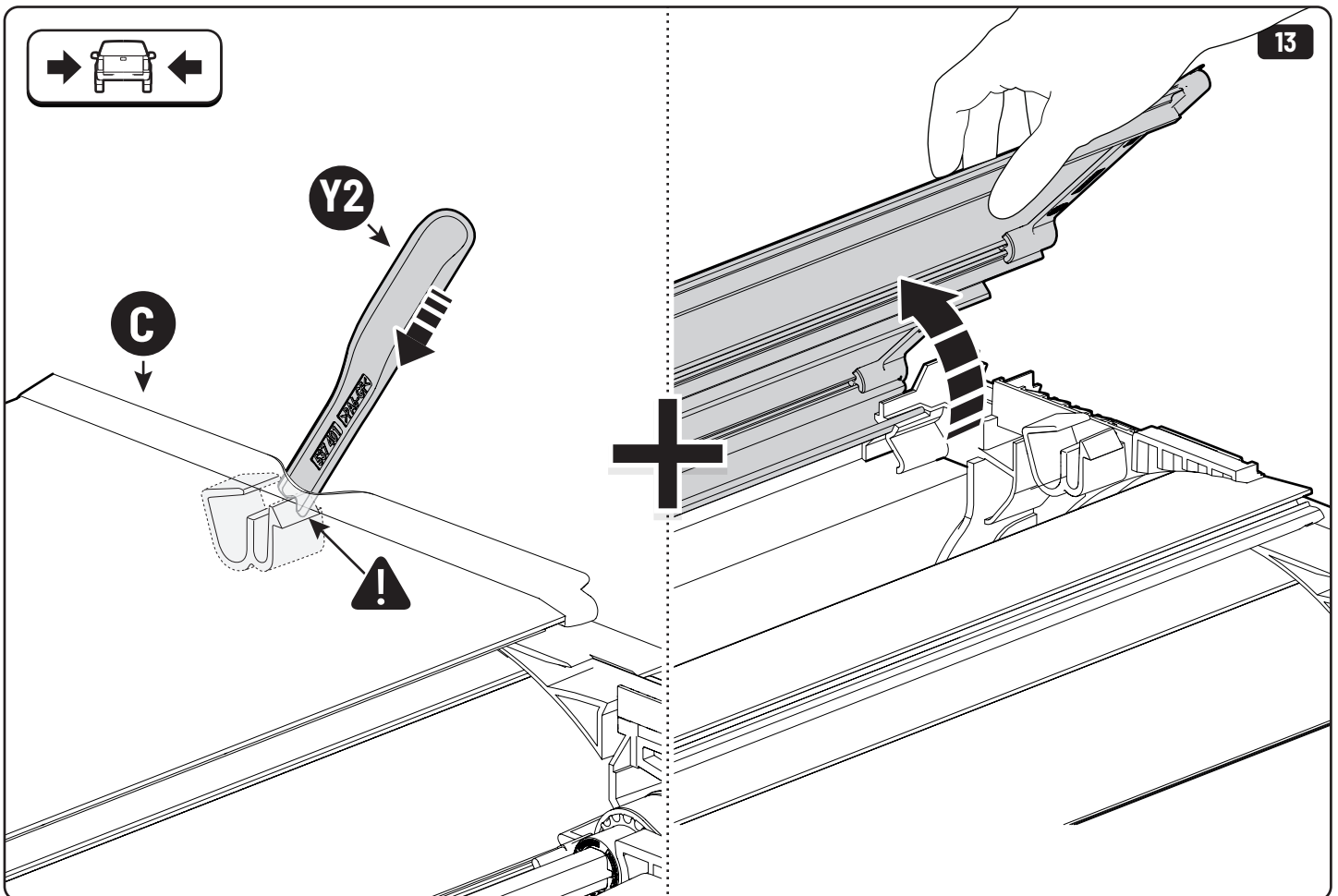
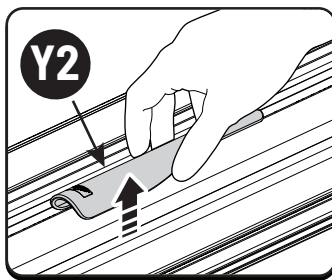
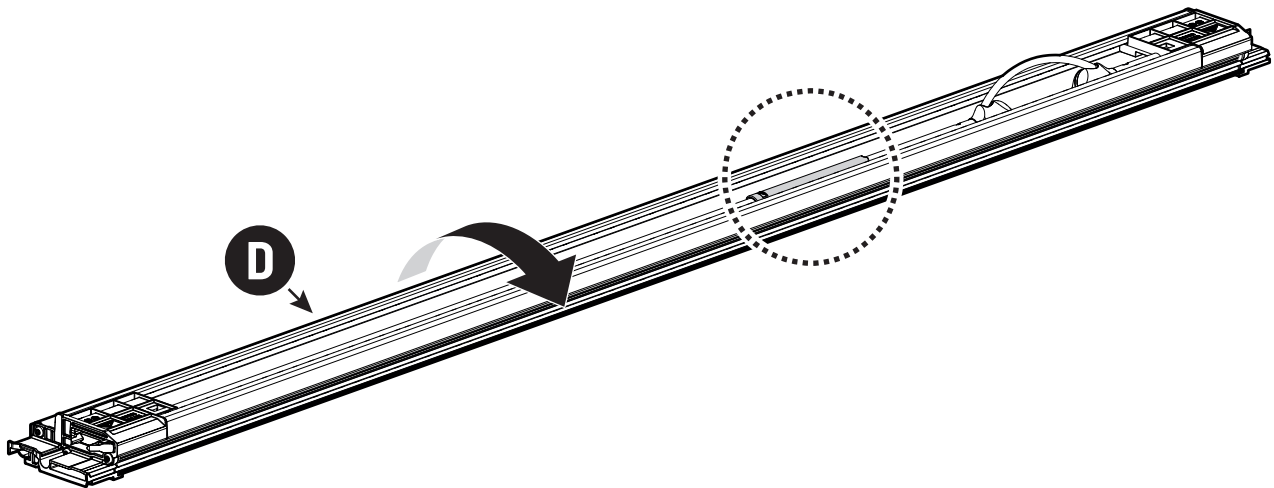
x2

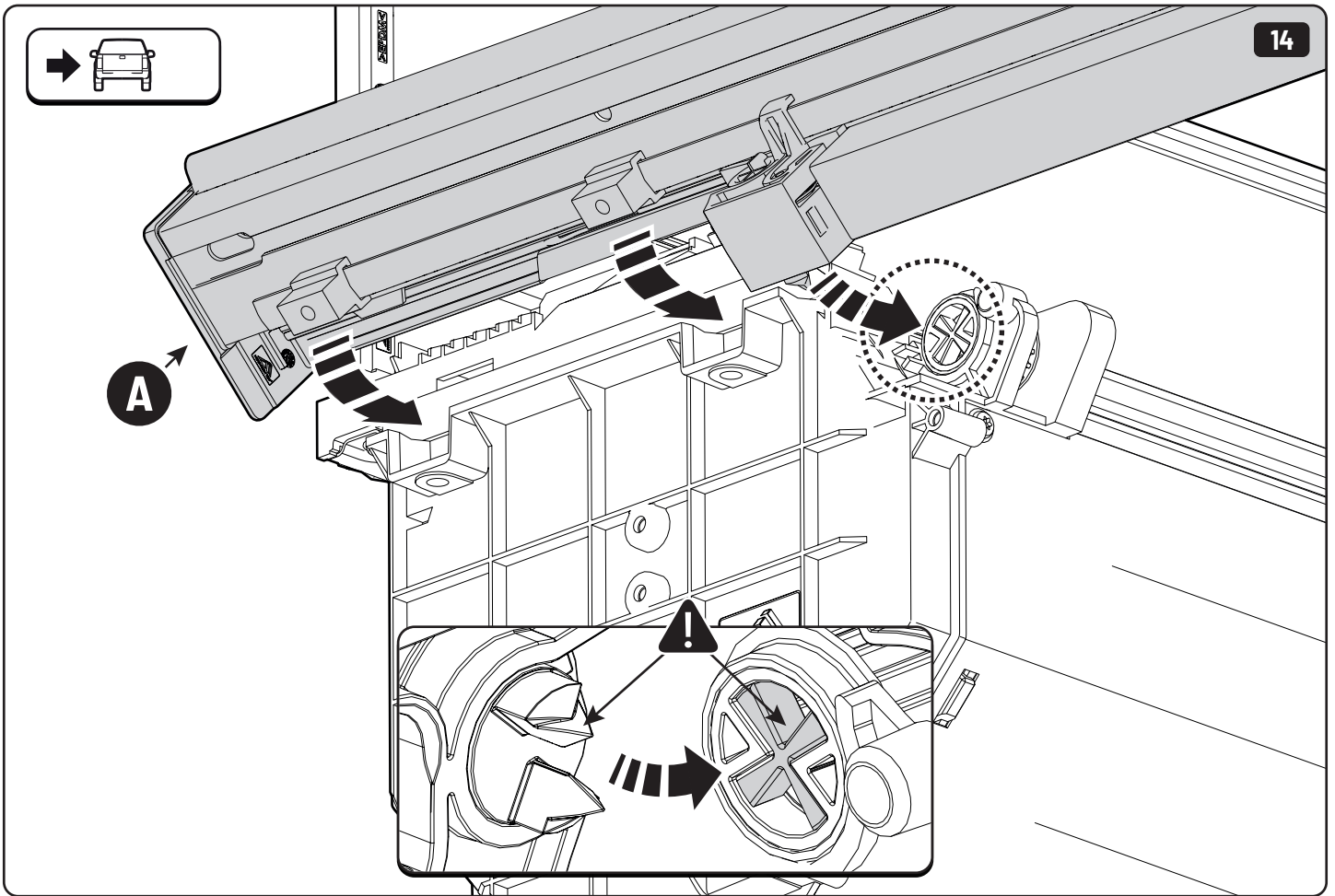




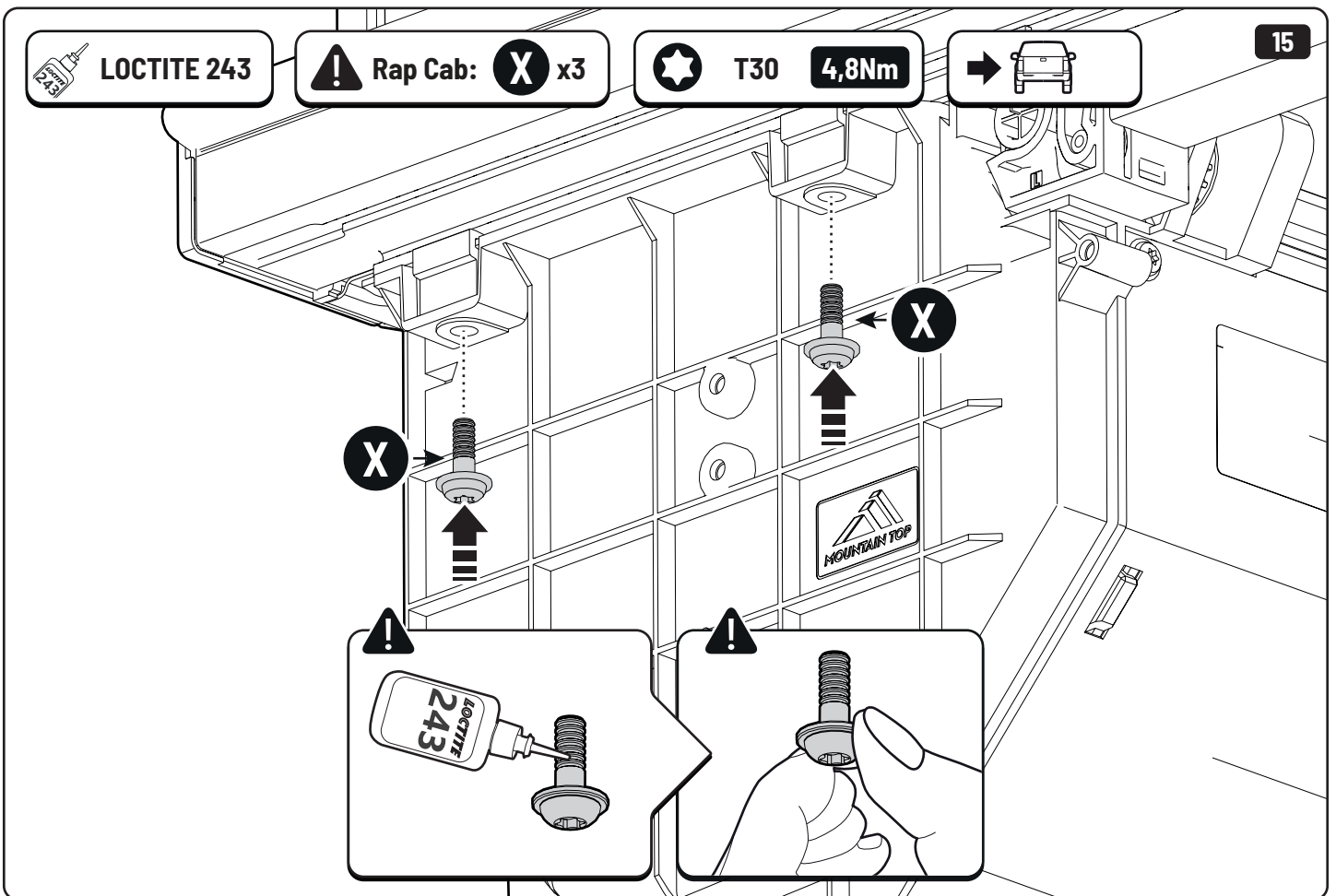
! Rap Cab: **W** x3







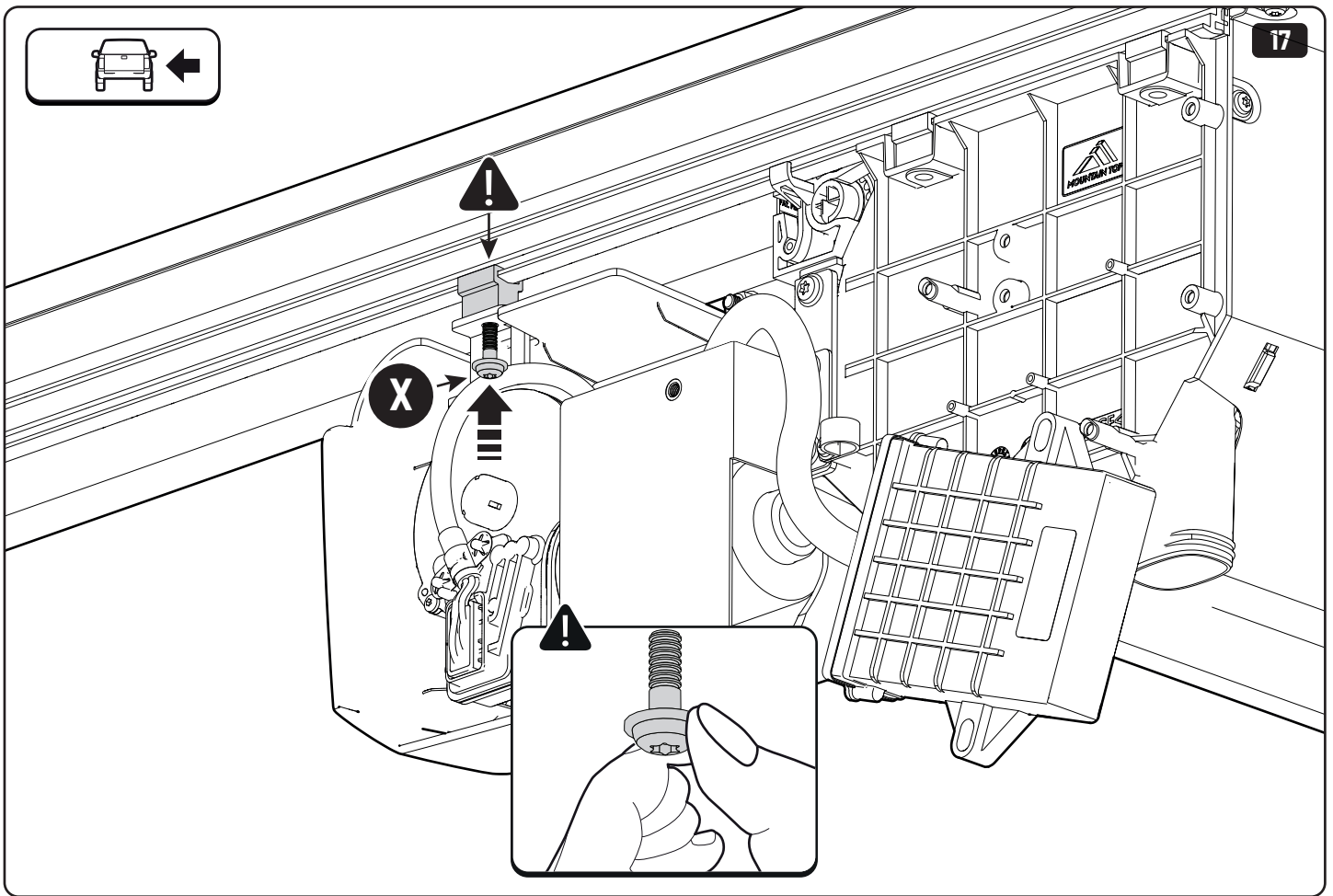
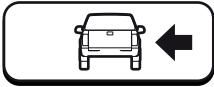
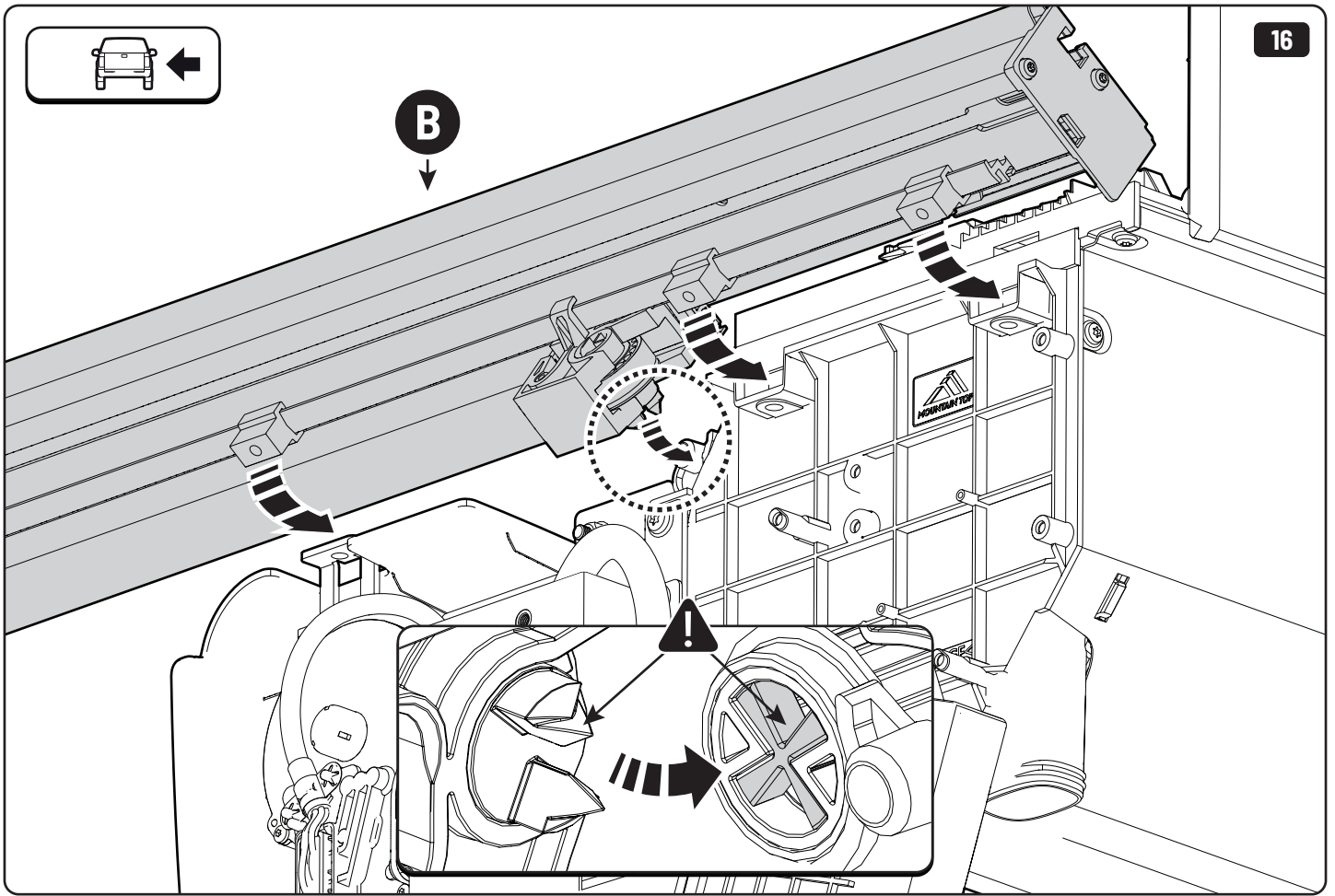
14

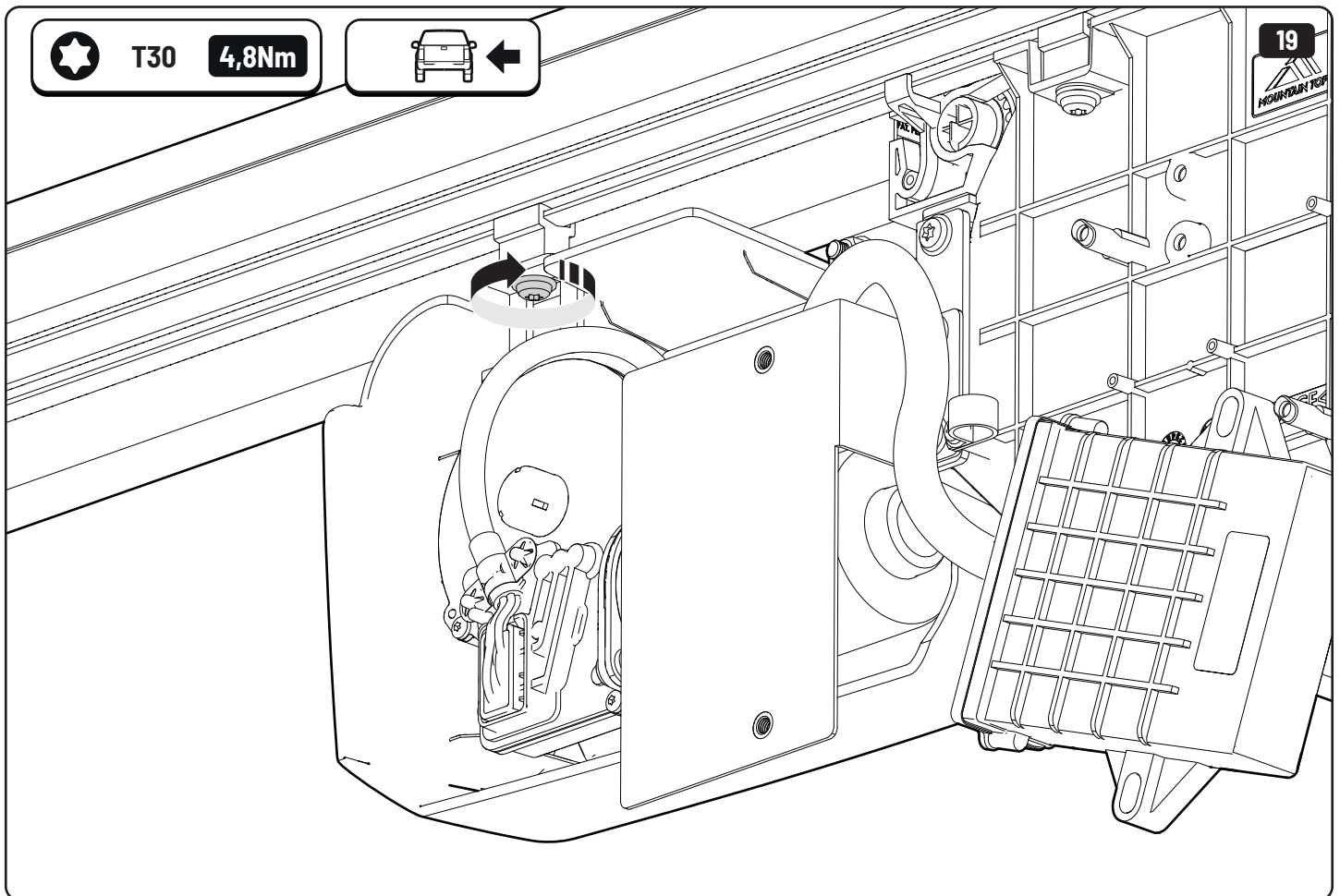
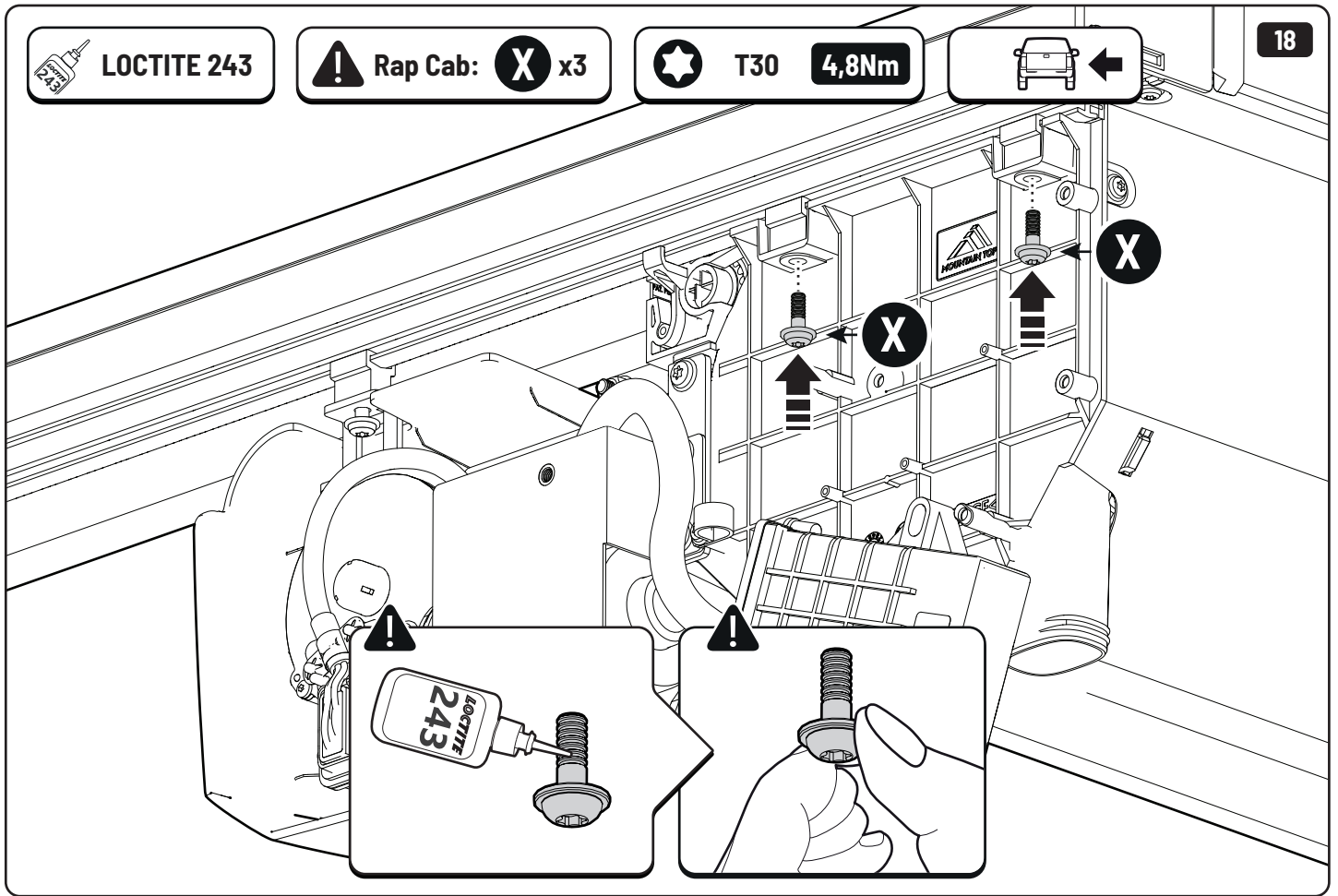


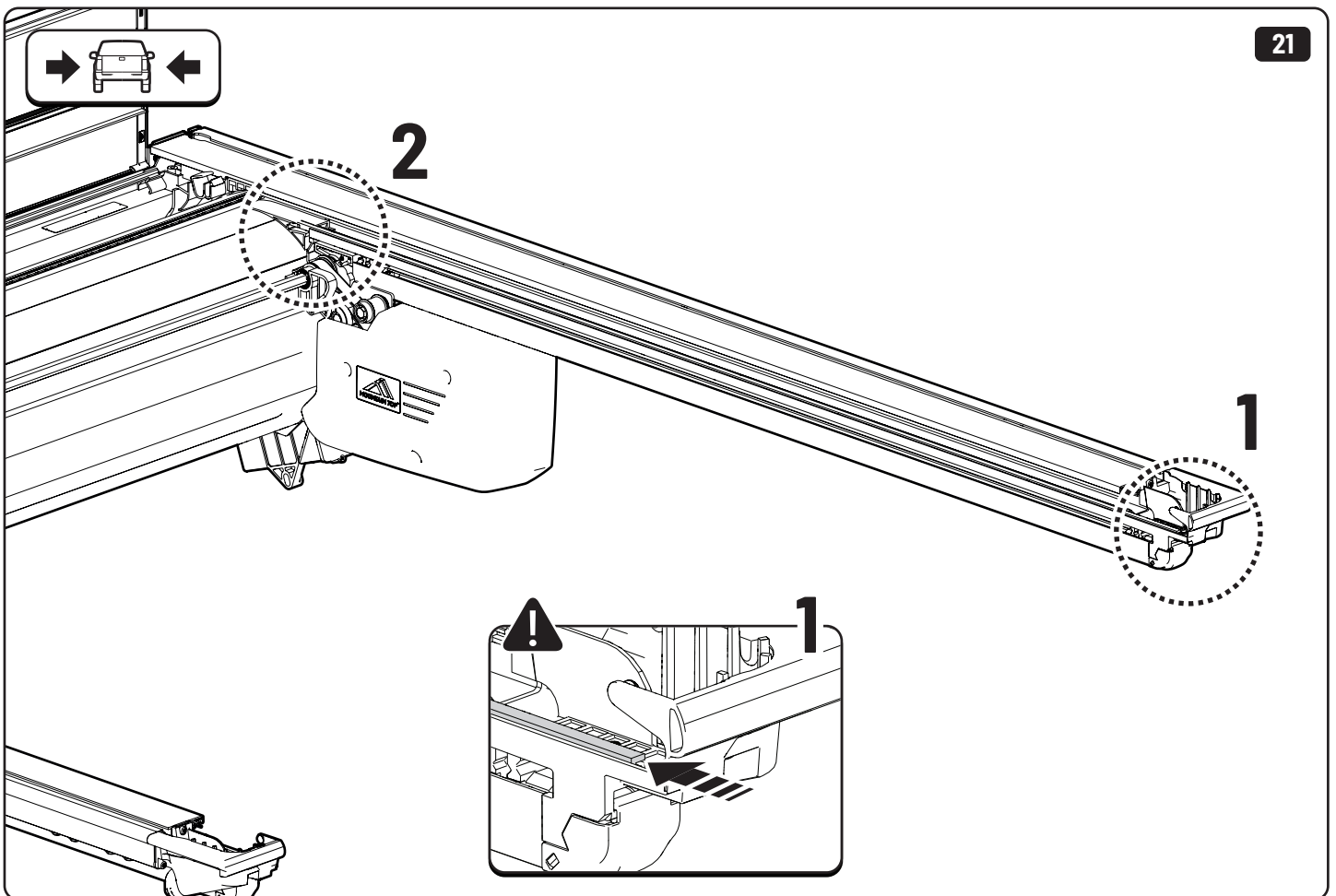
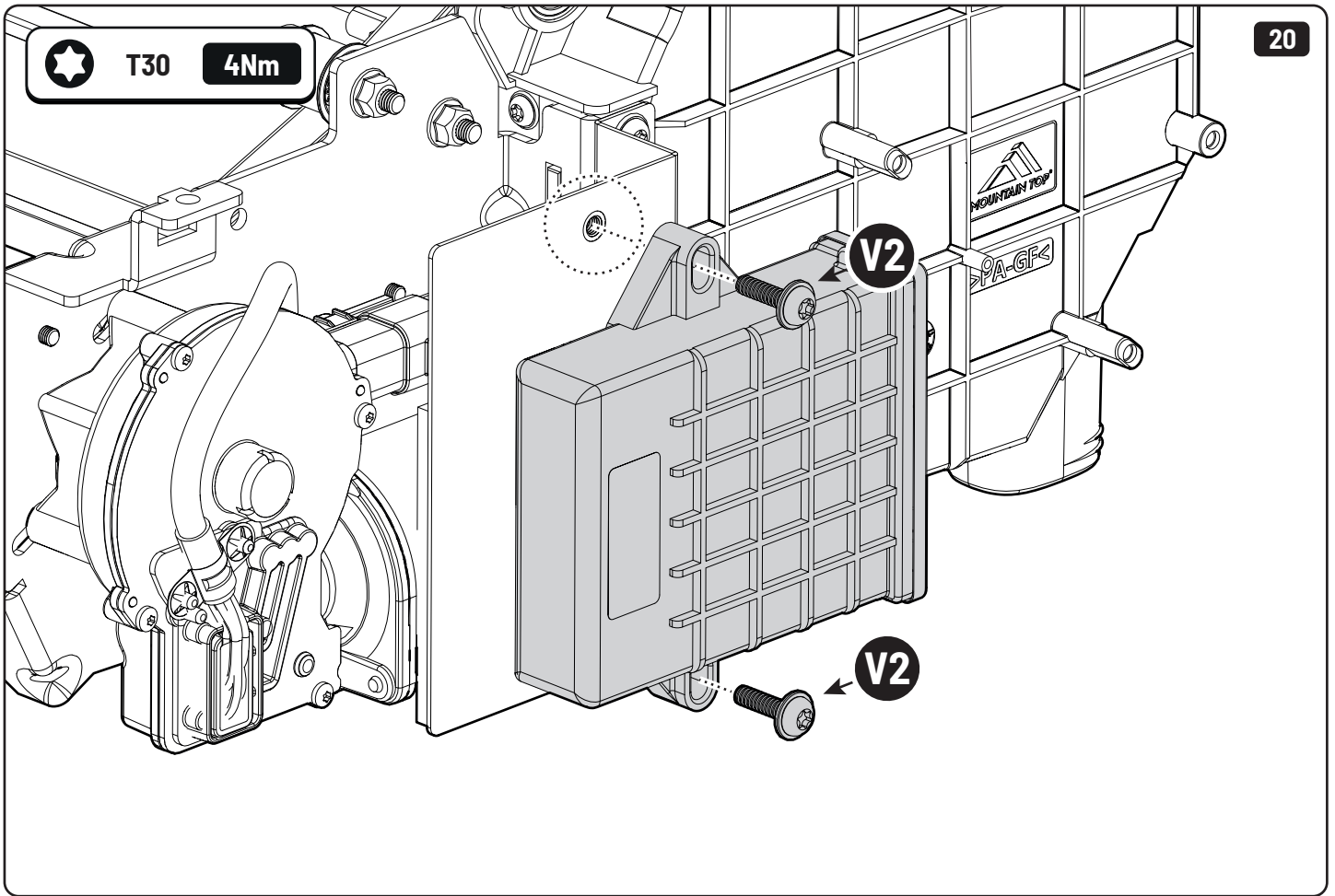
15

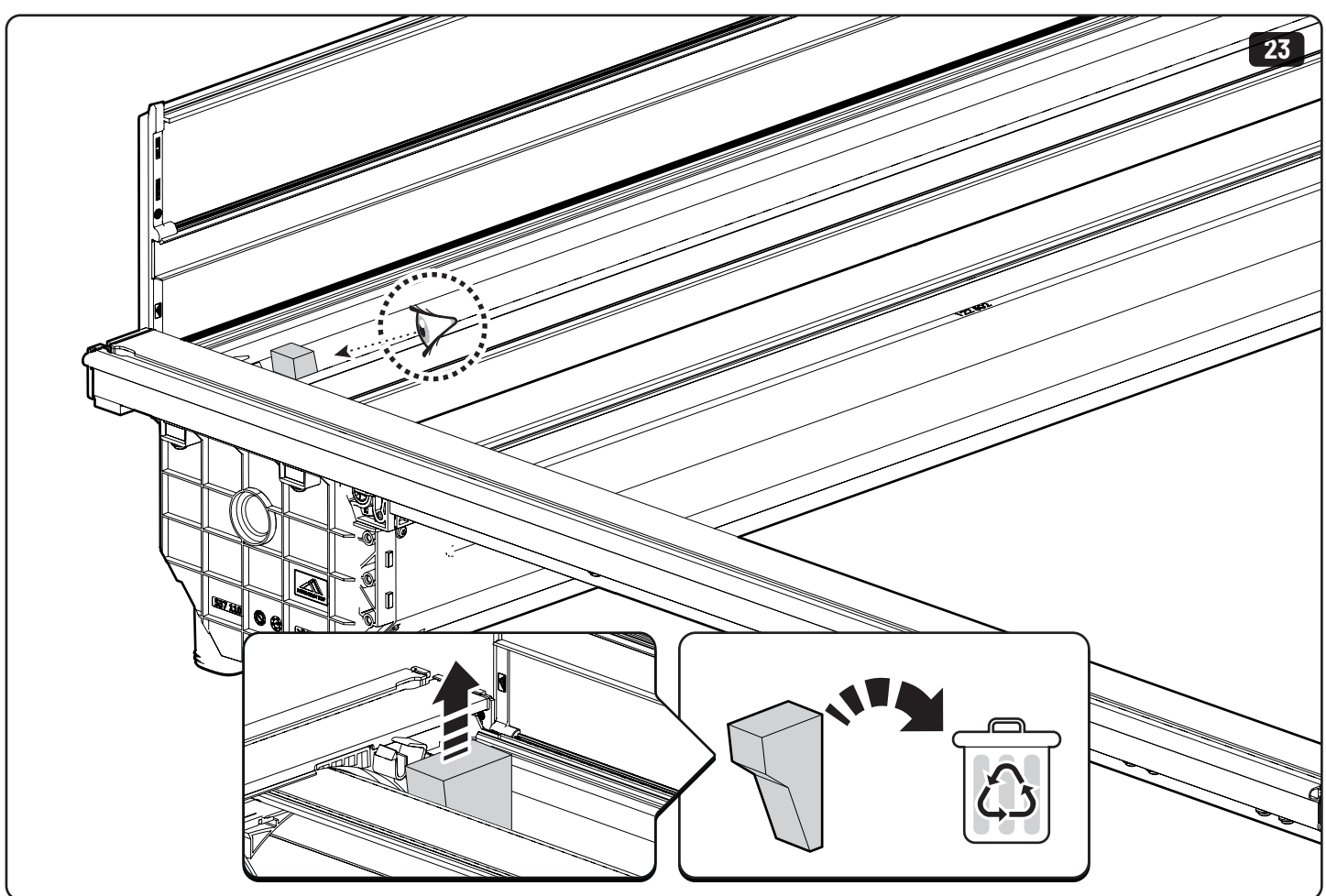
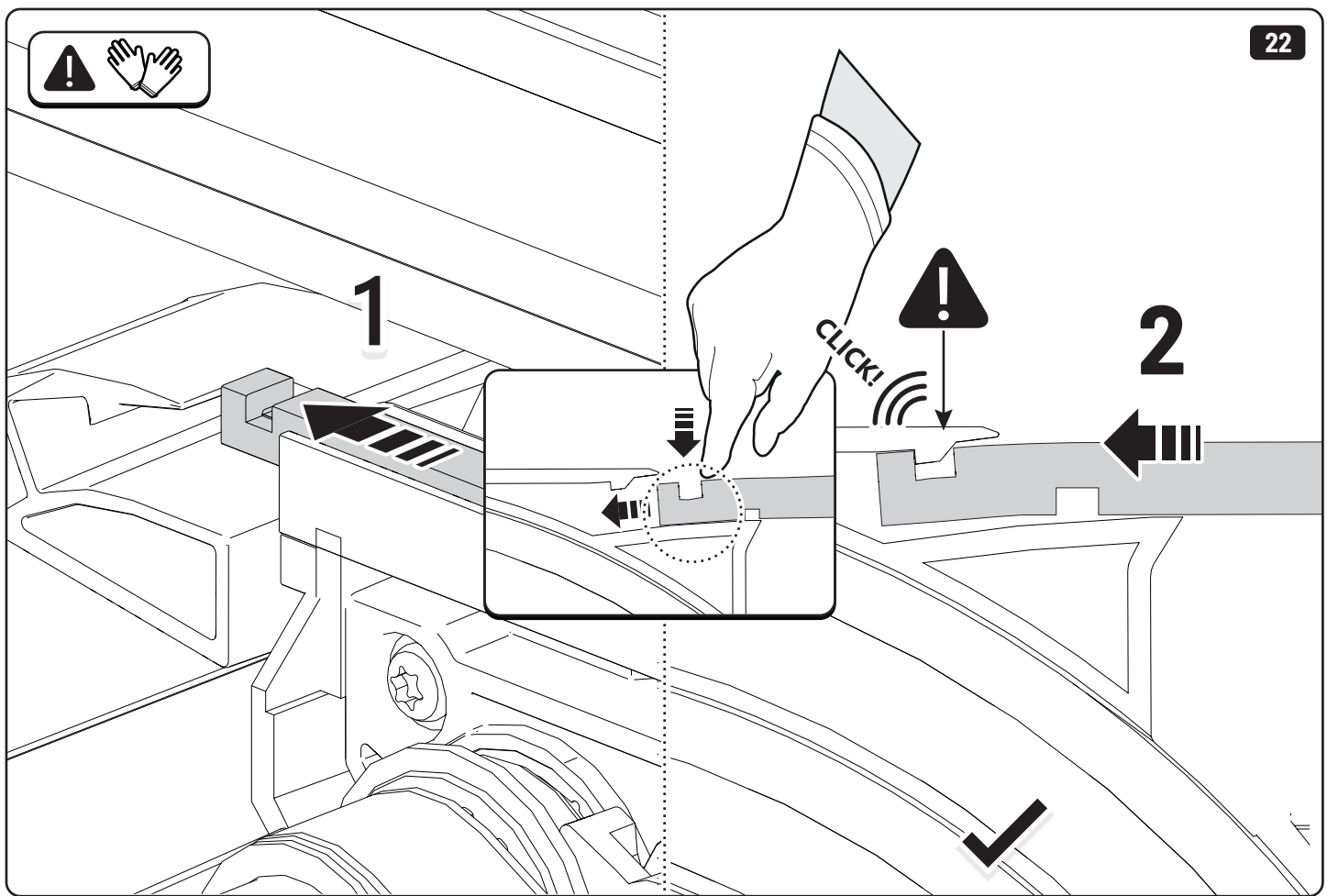


B
↓



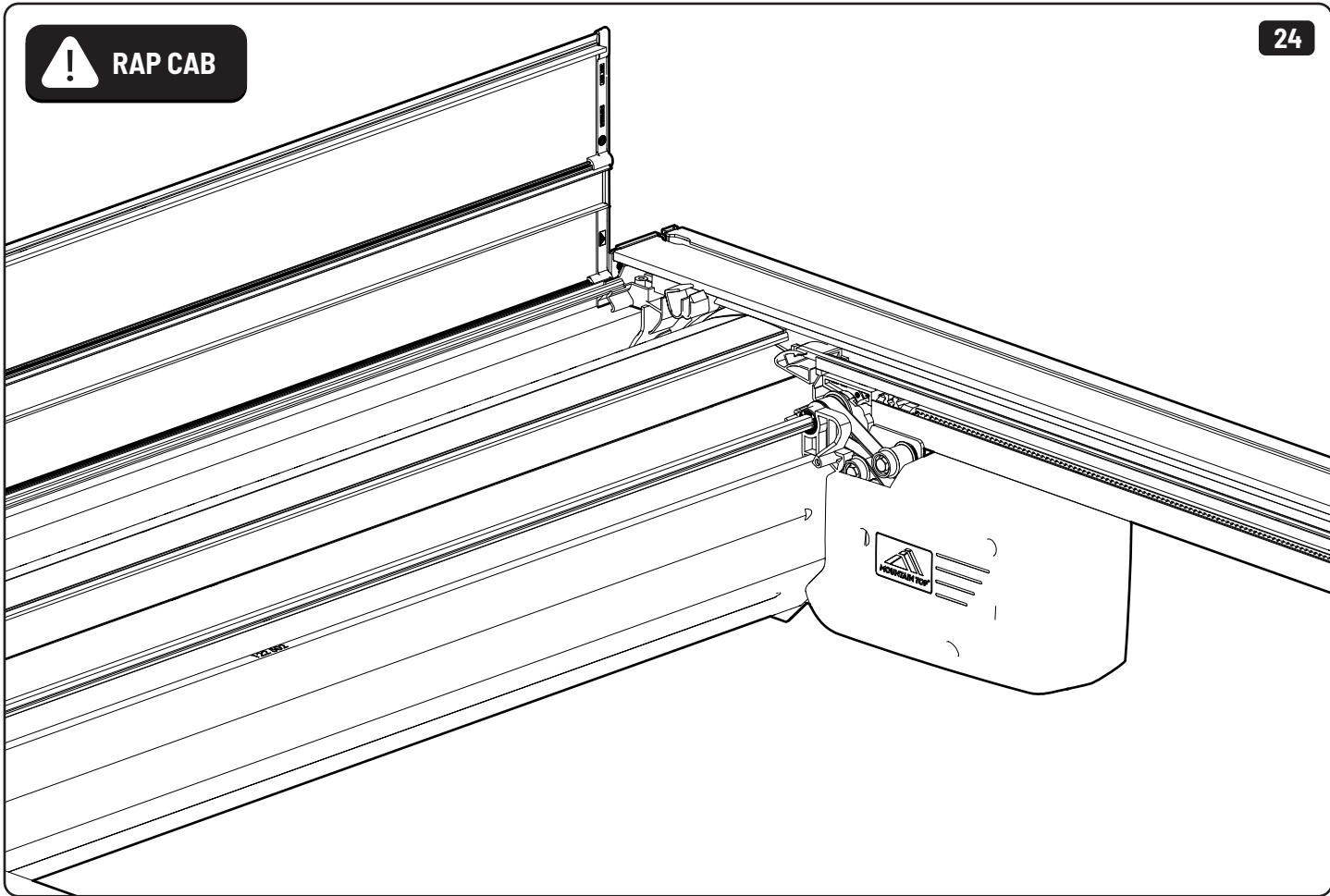




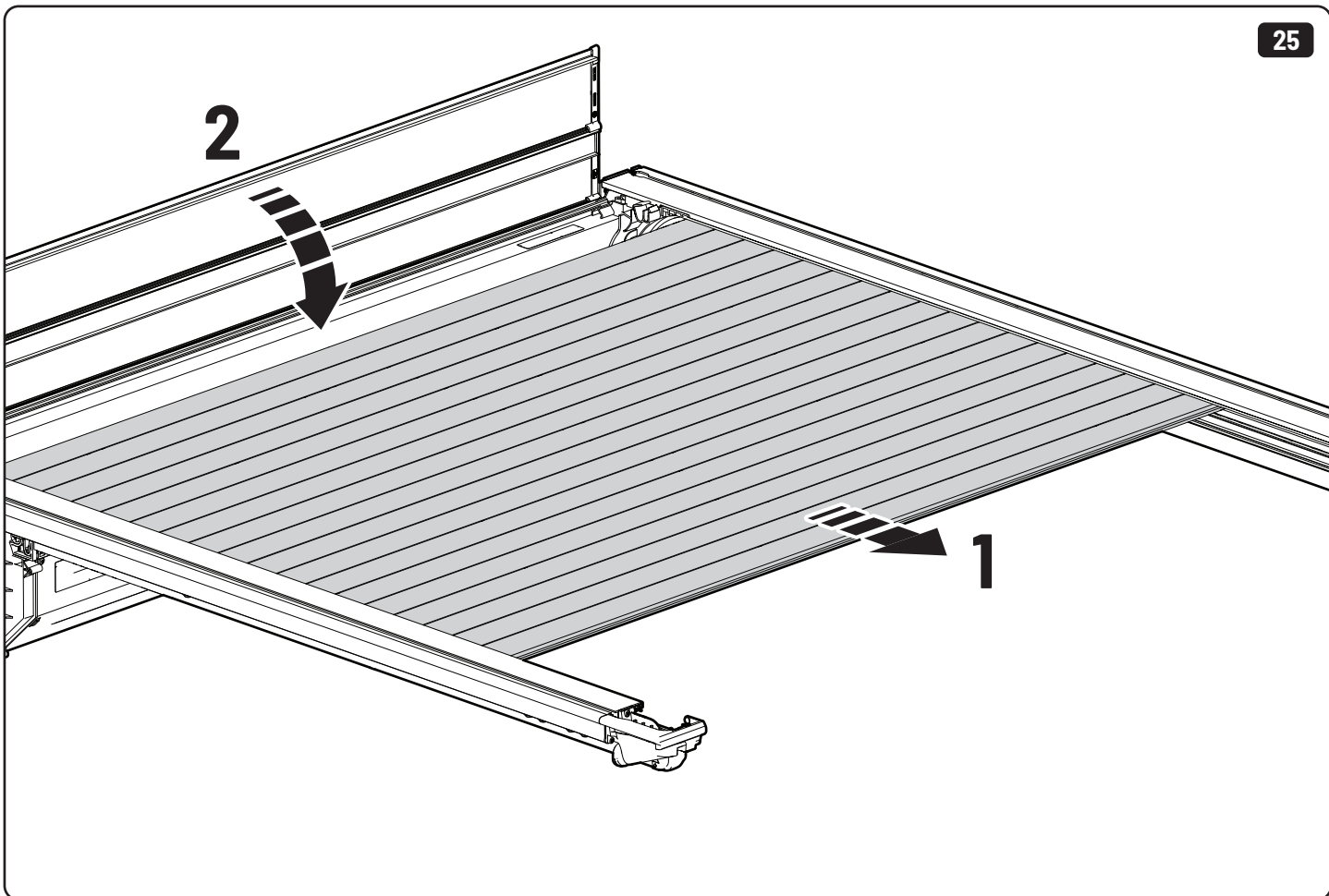


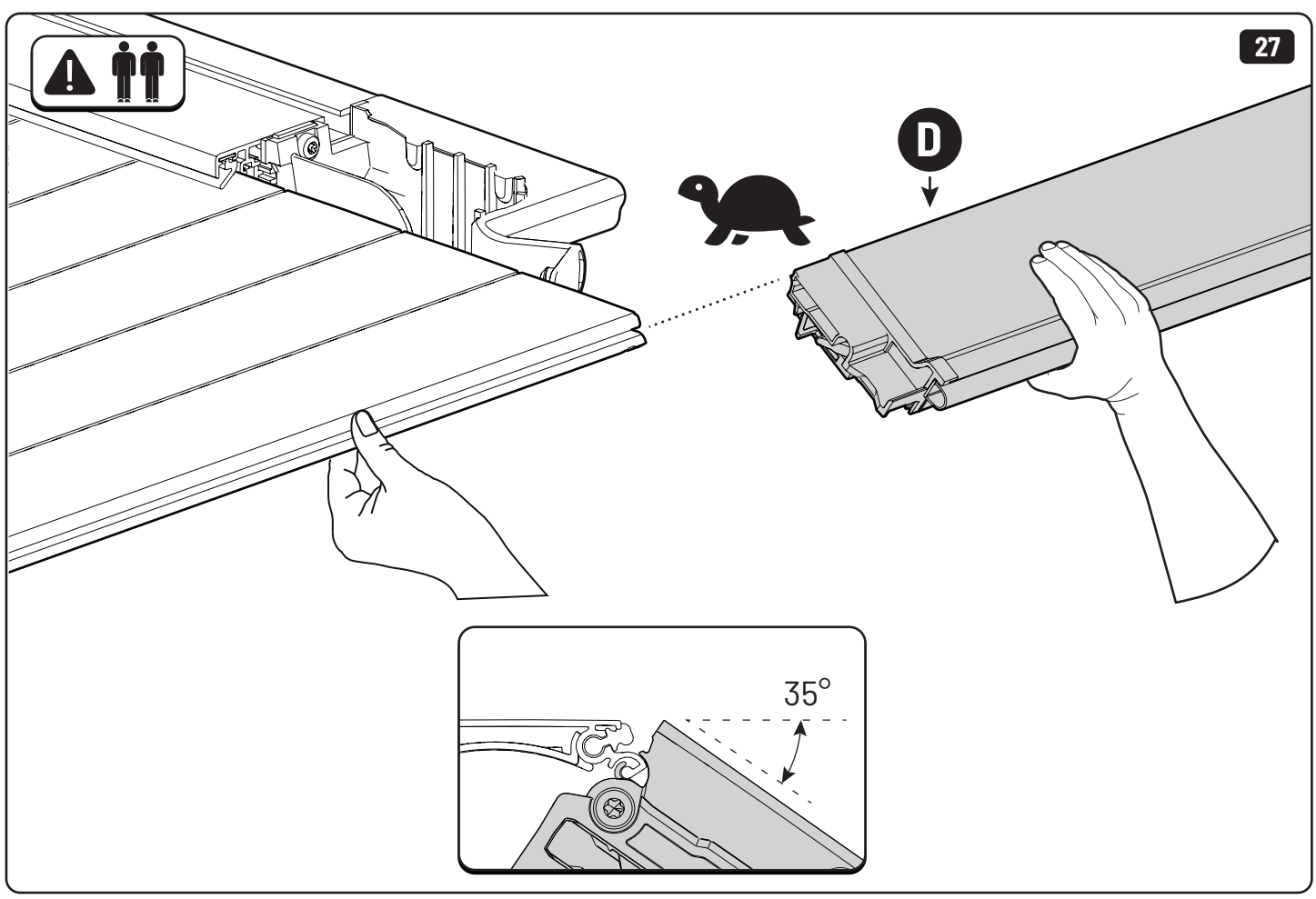
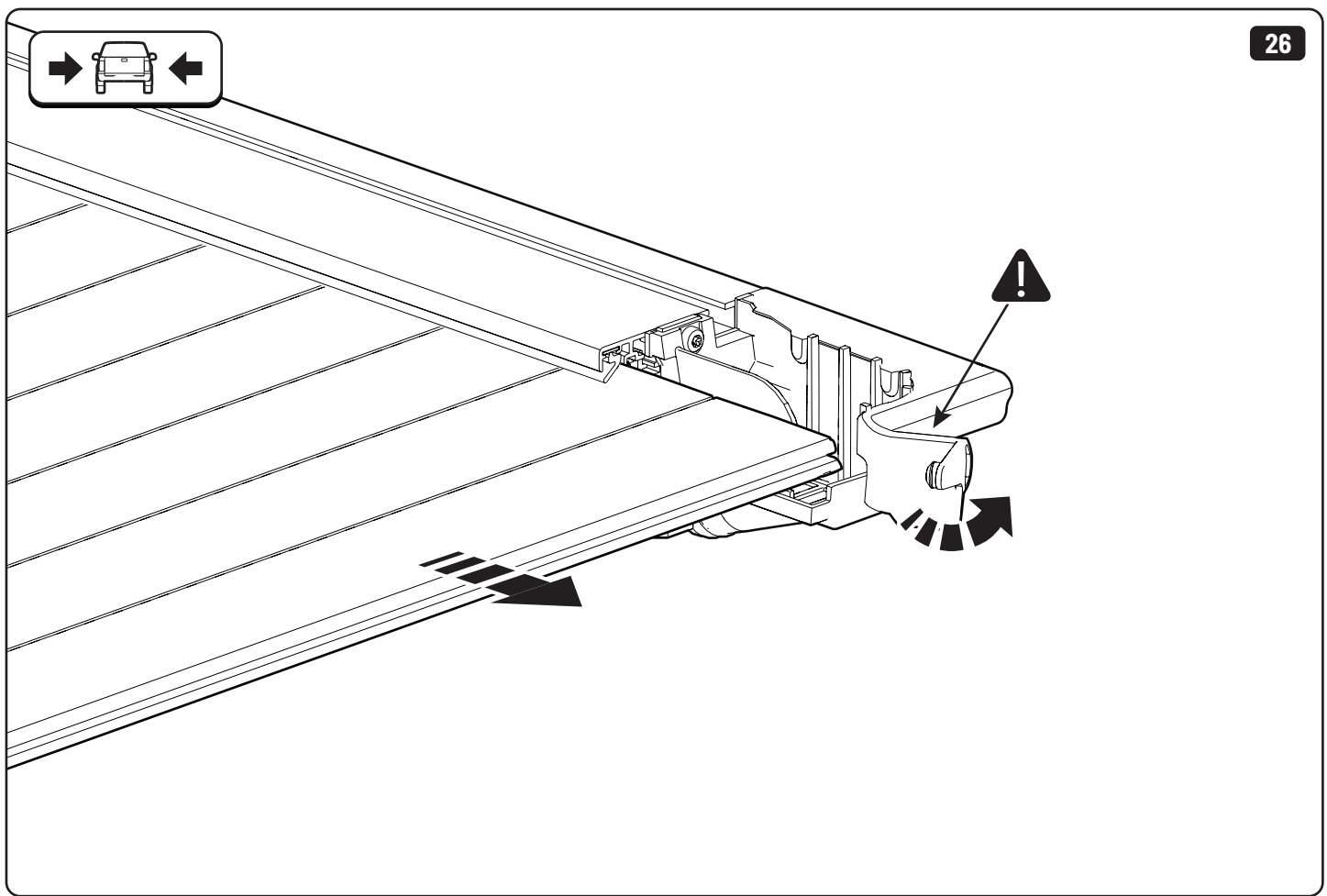
 **RAP CAB**

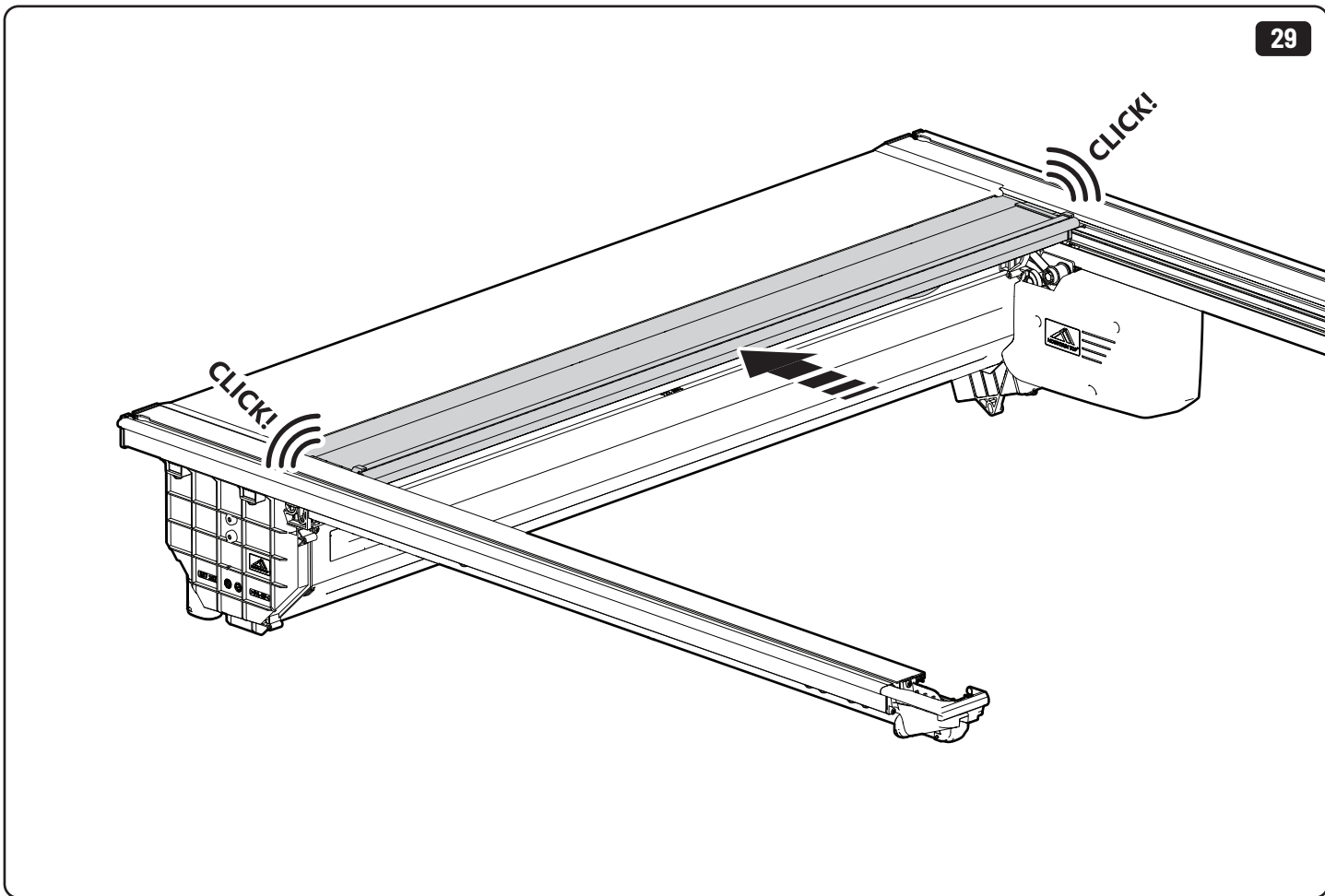
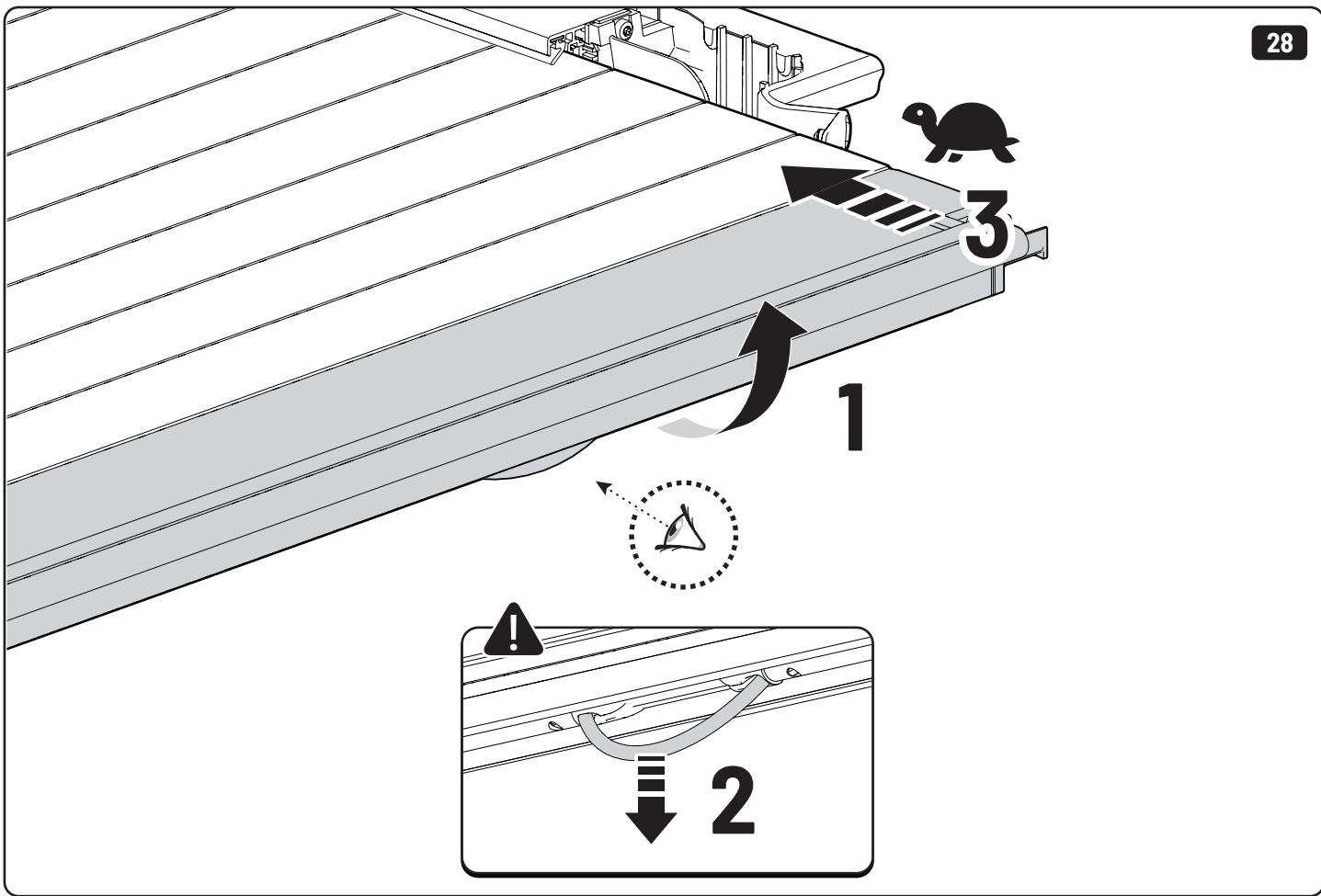
24

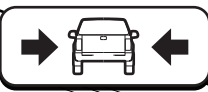
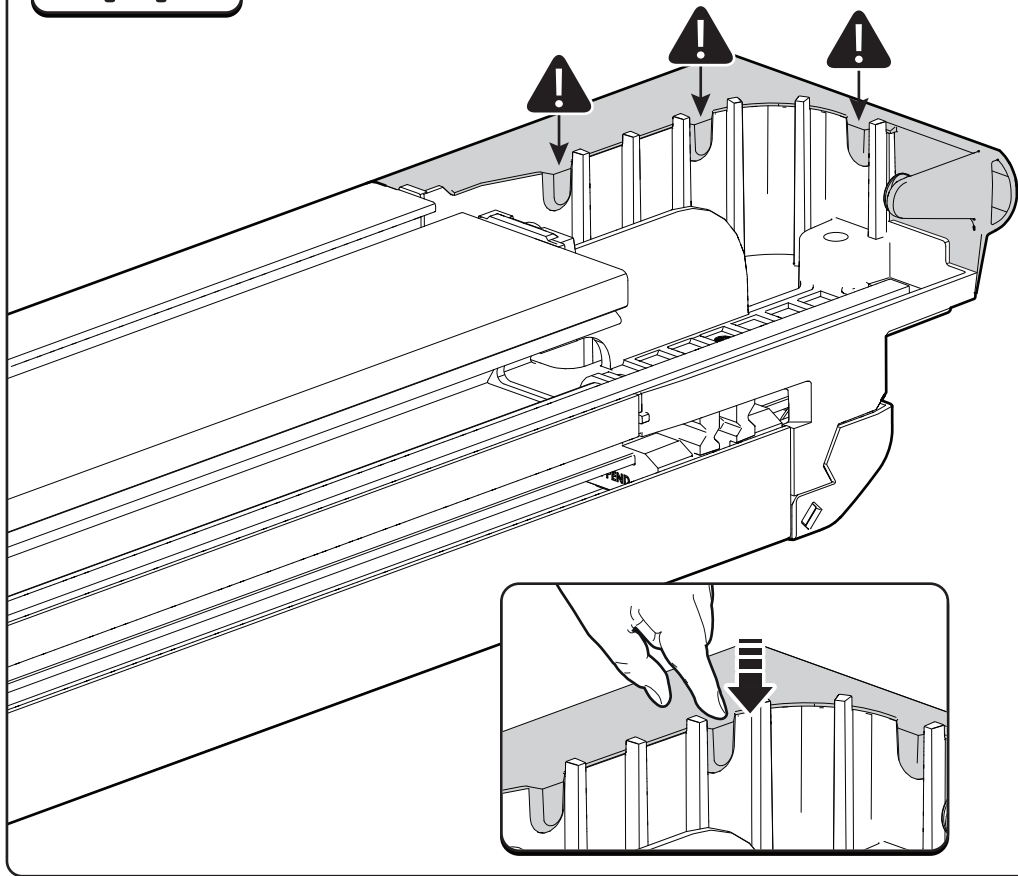
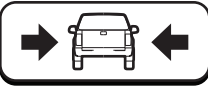


25

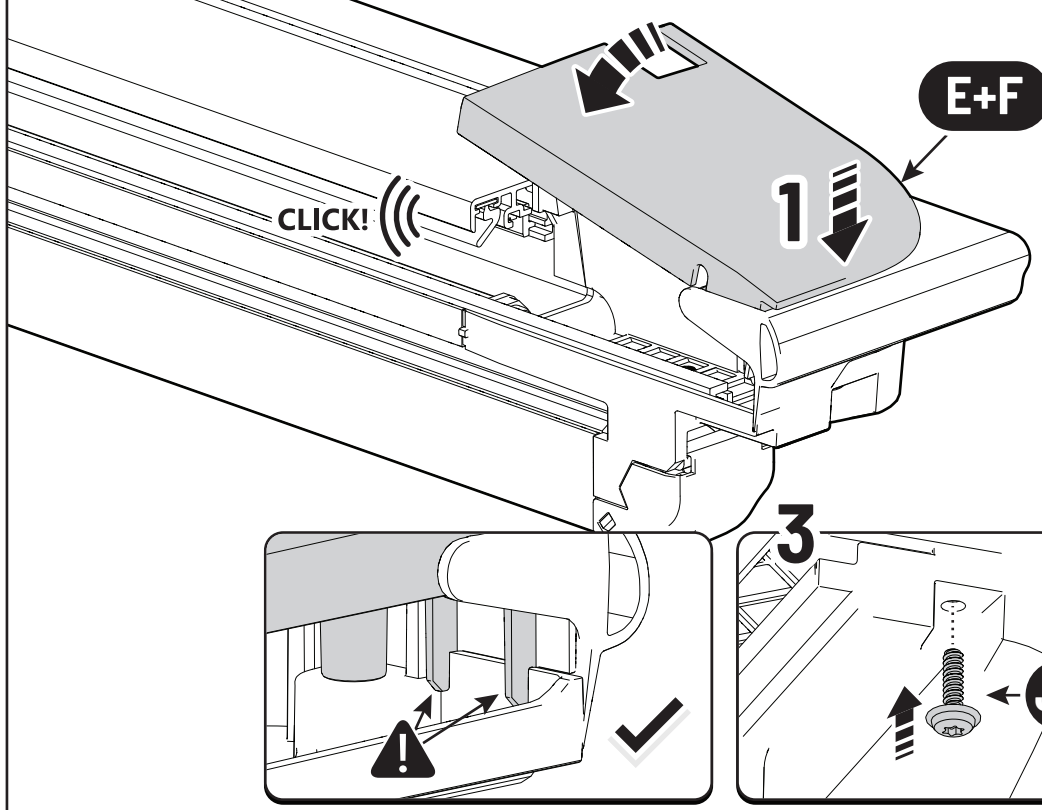


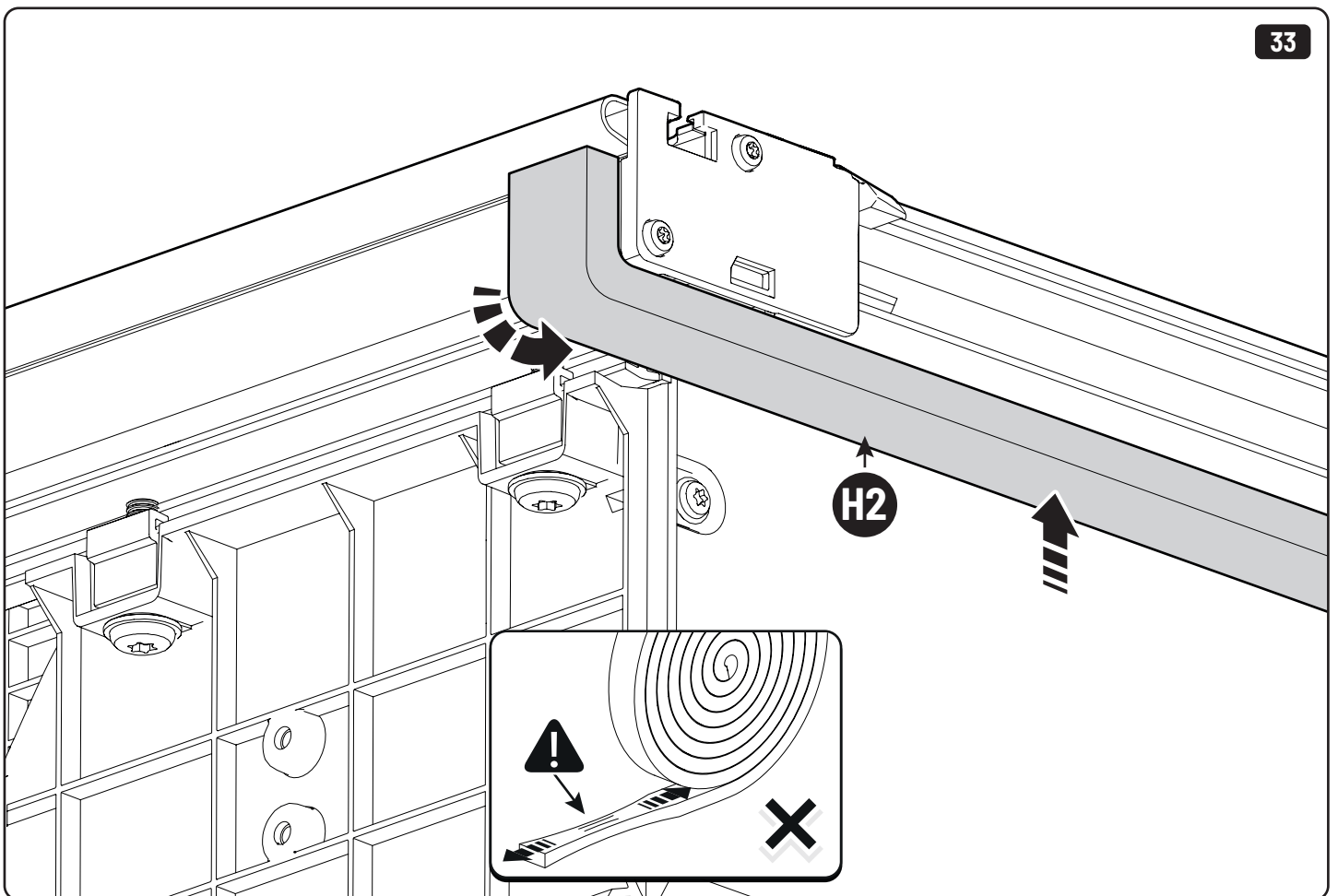
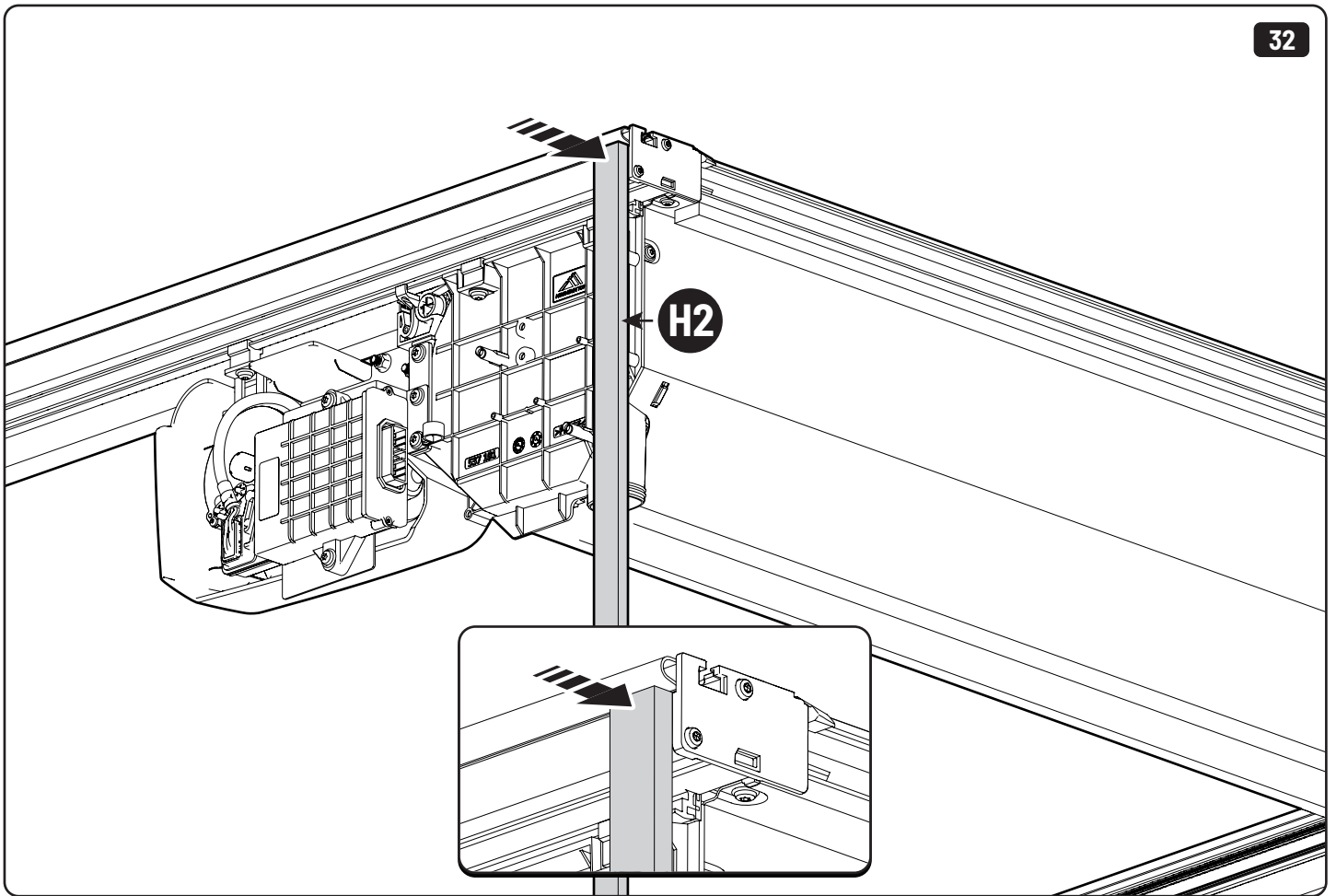






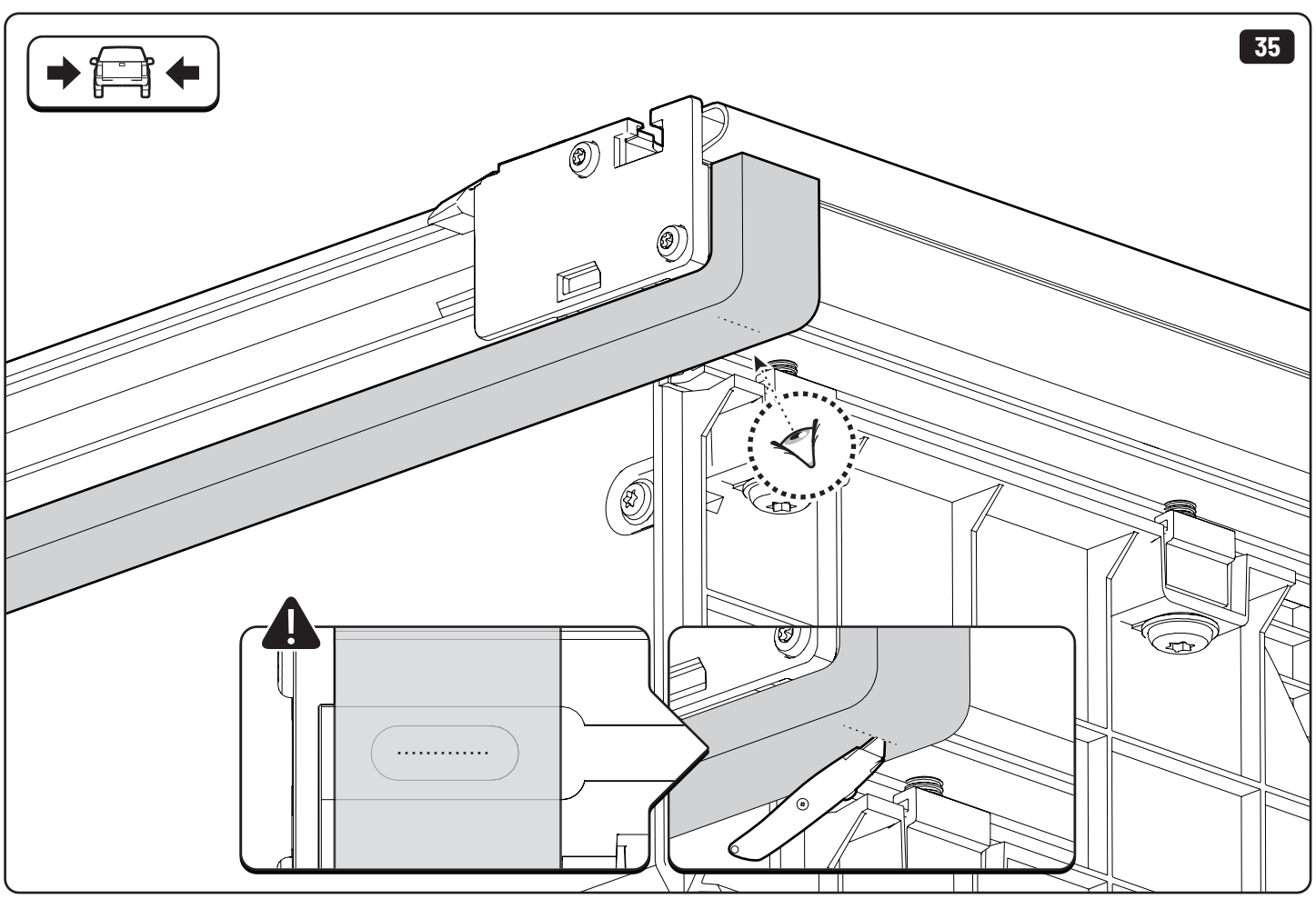
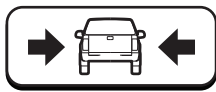
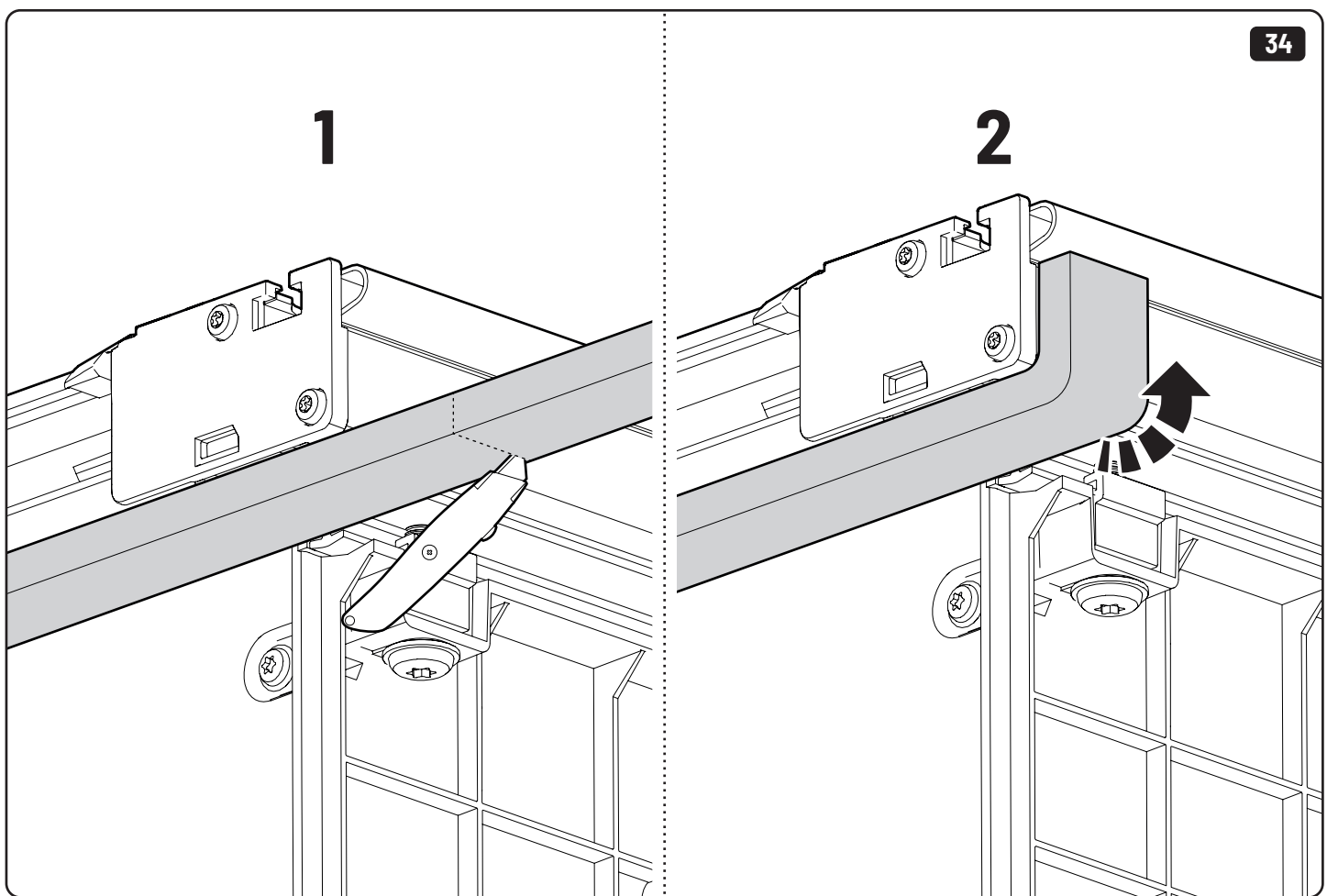
T20 2,4Nm

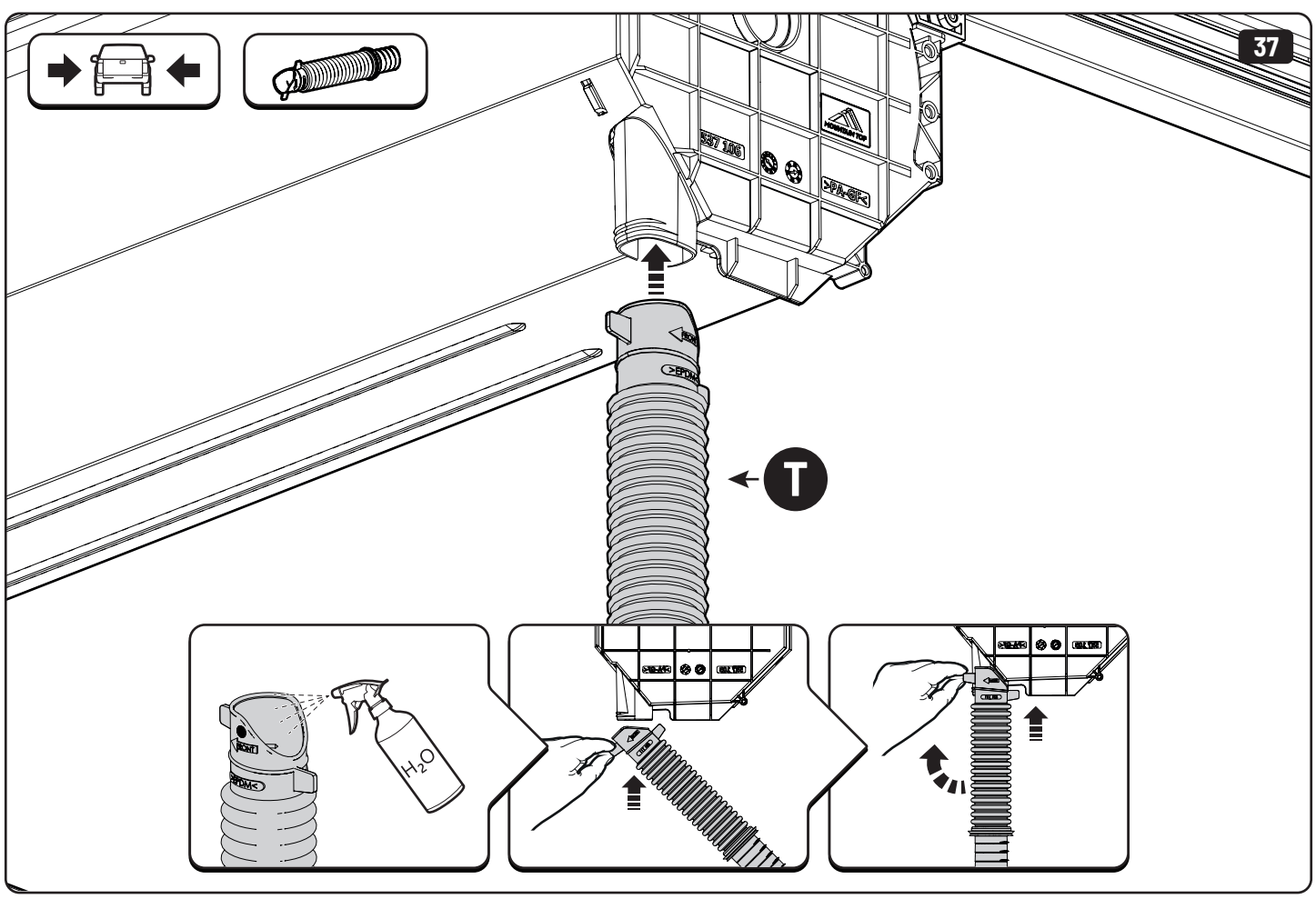
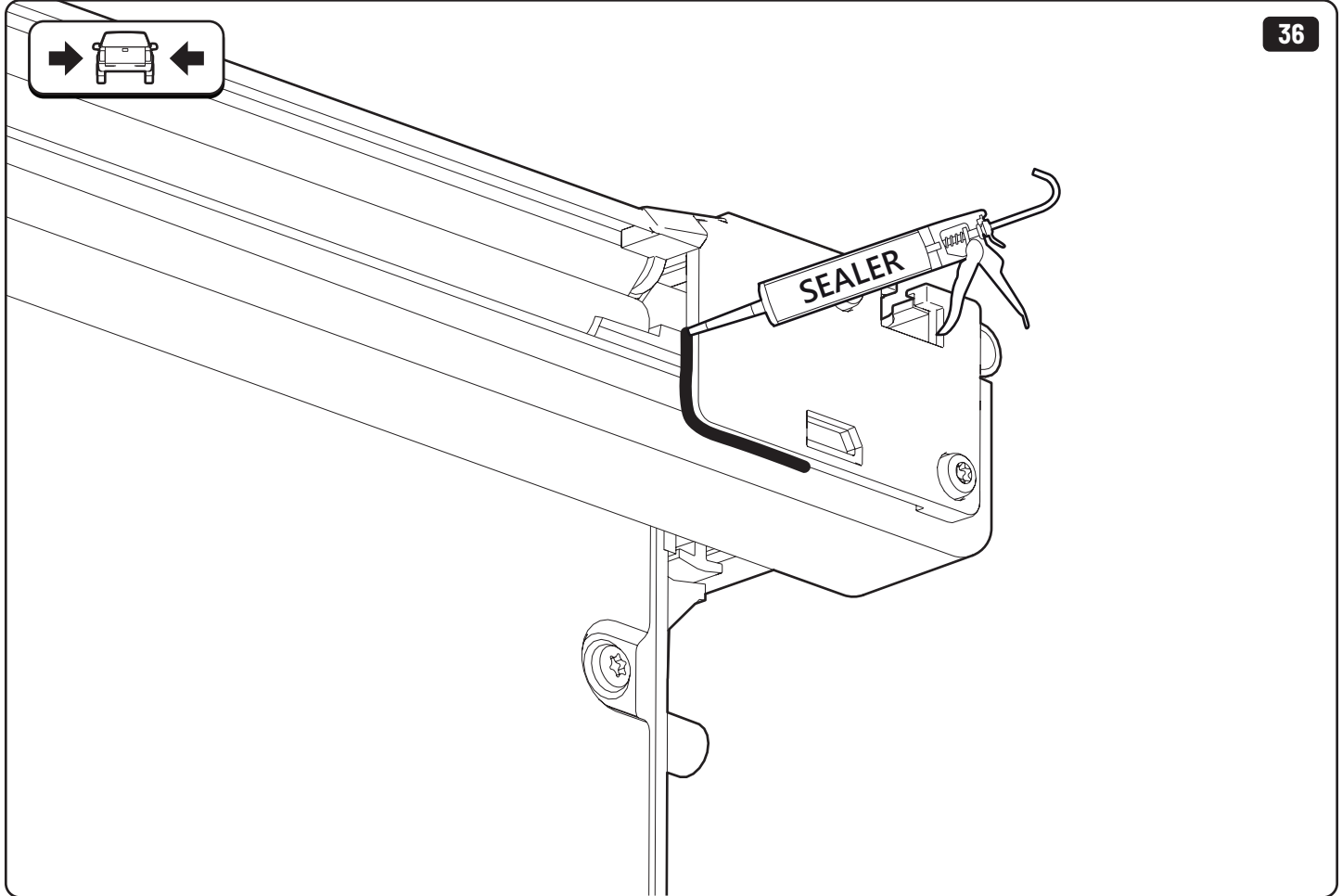


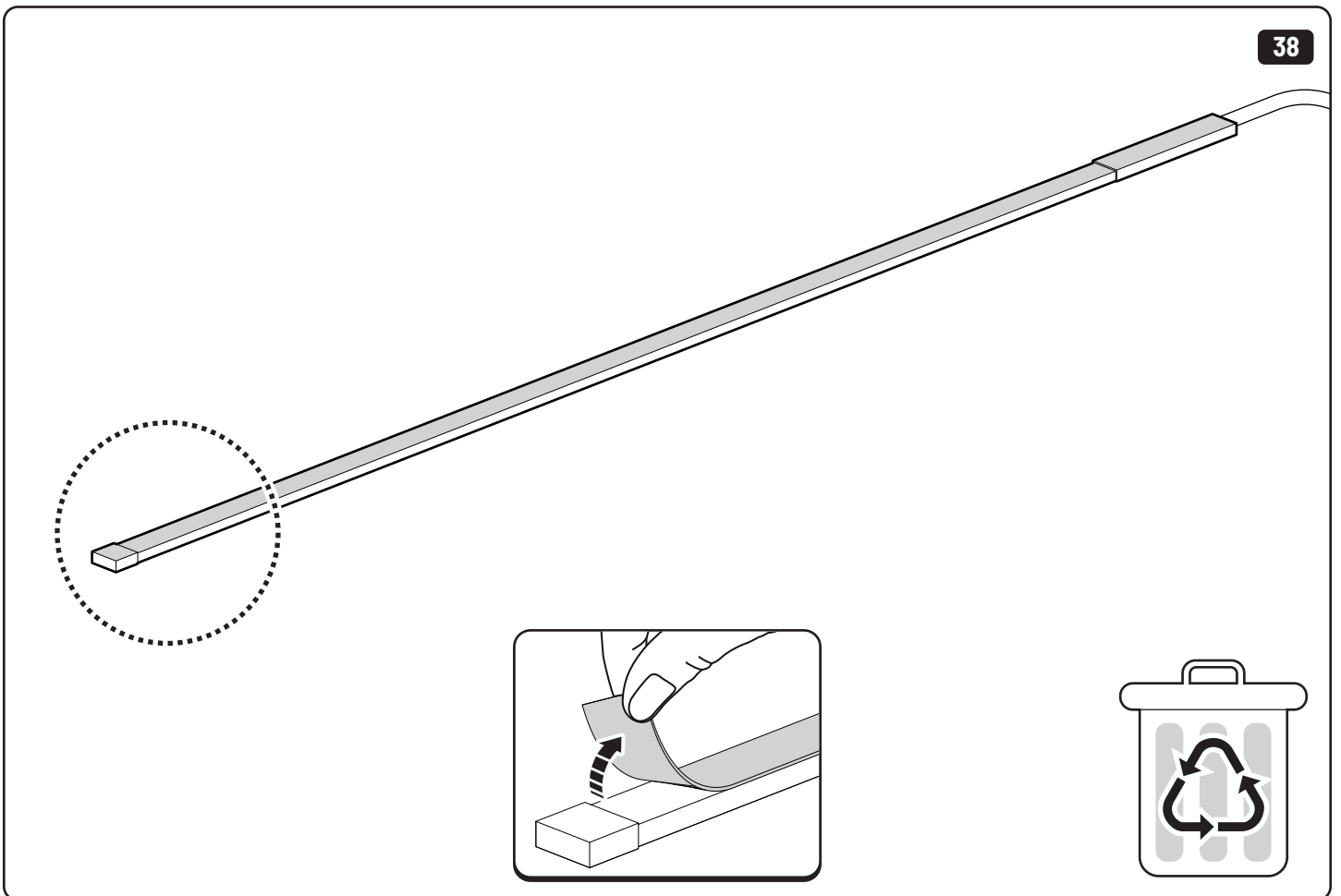
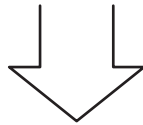
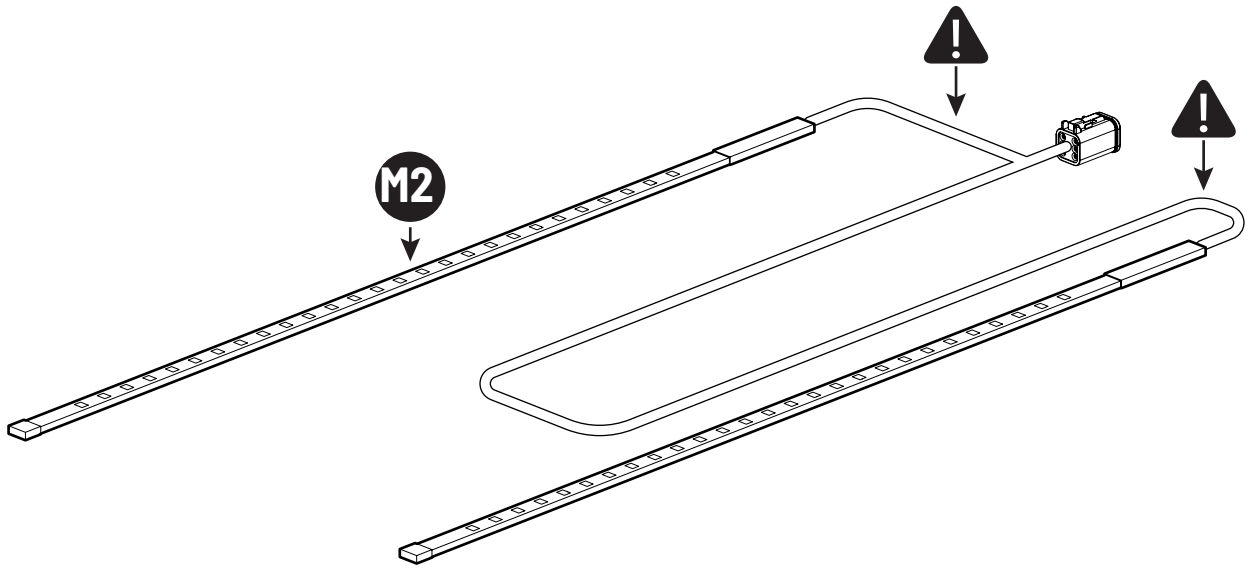


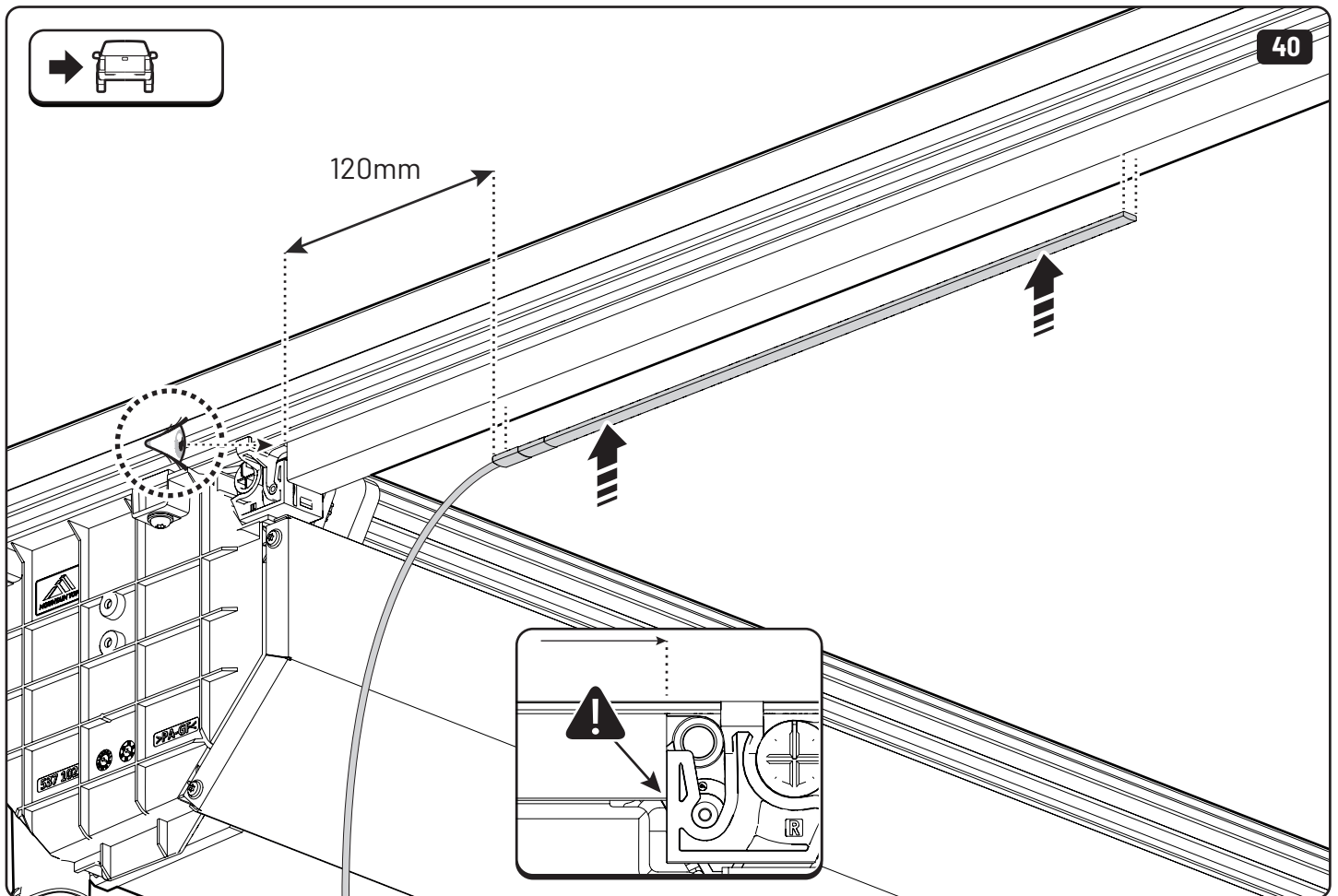
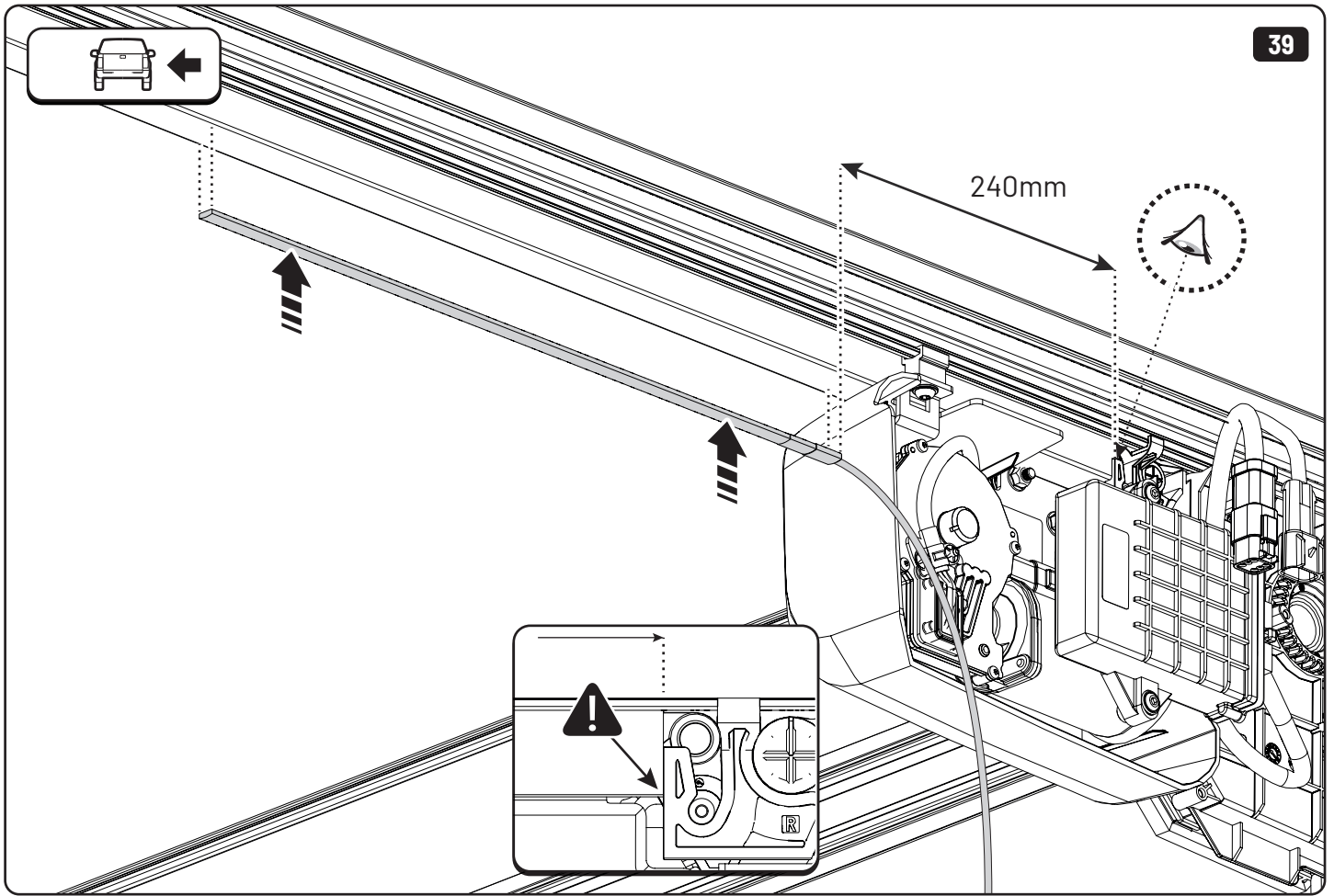
1

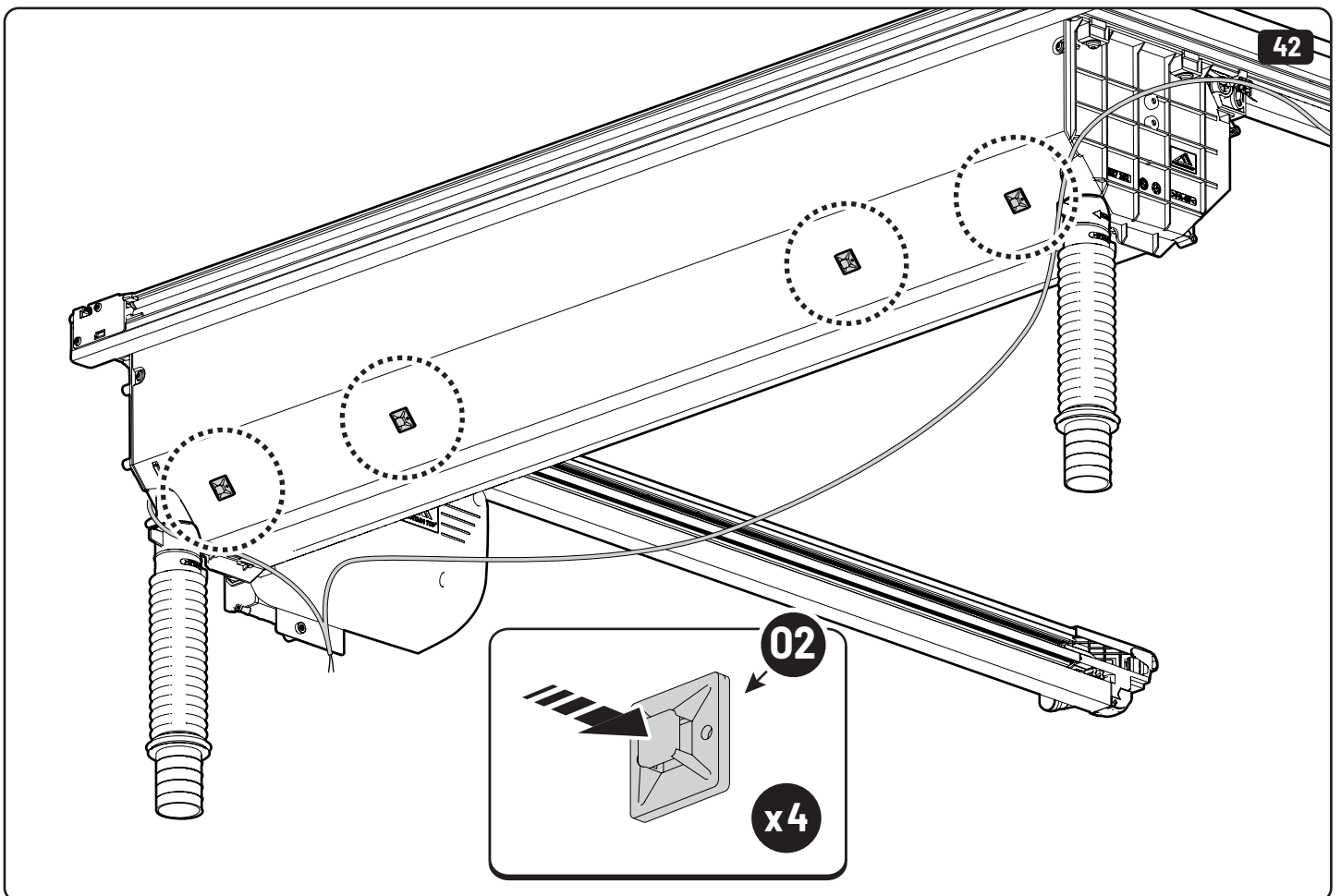
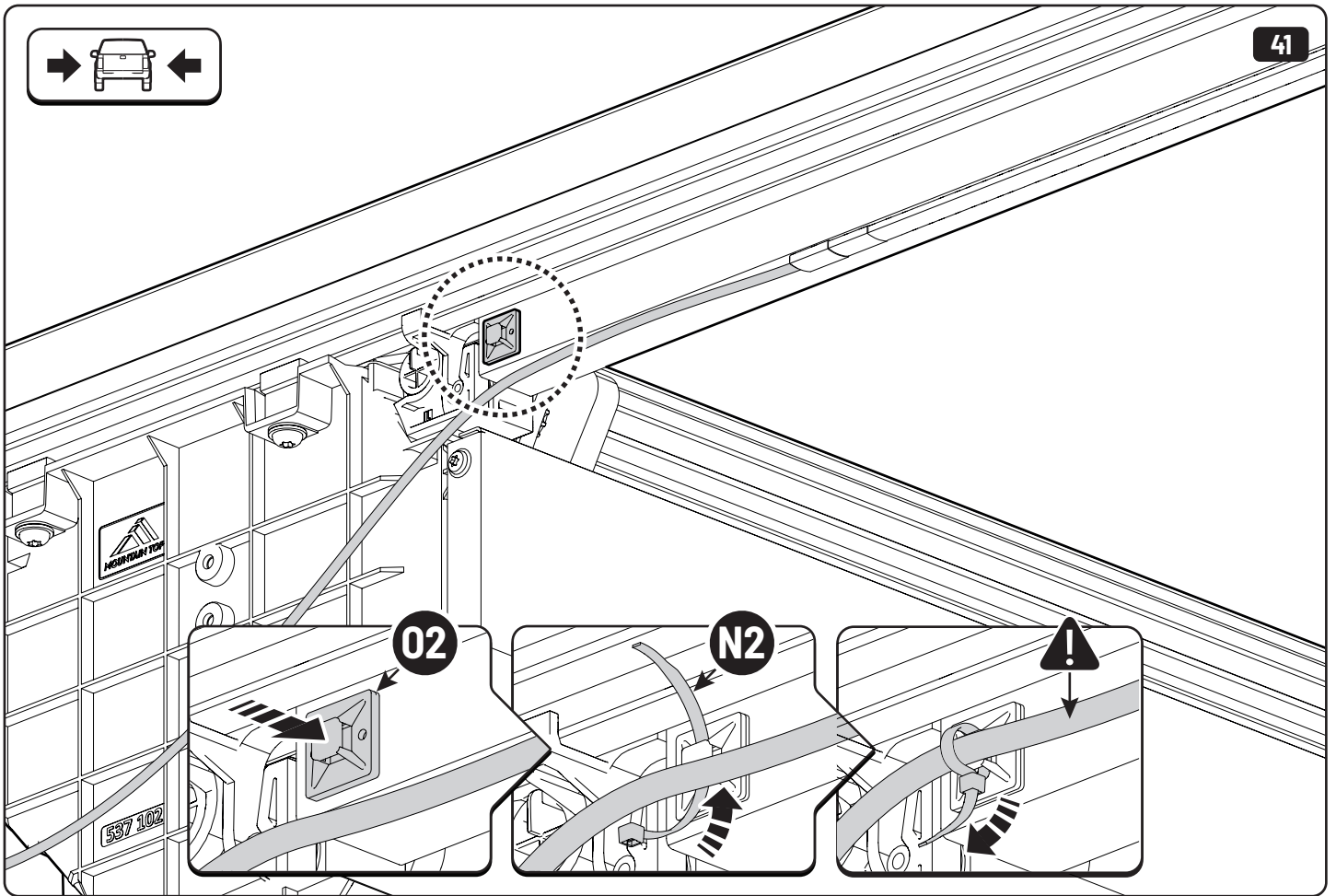
2

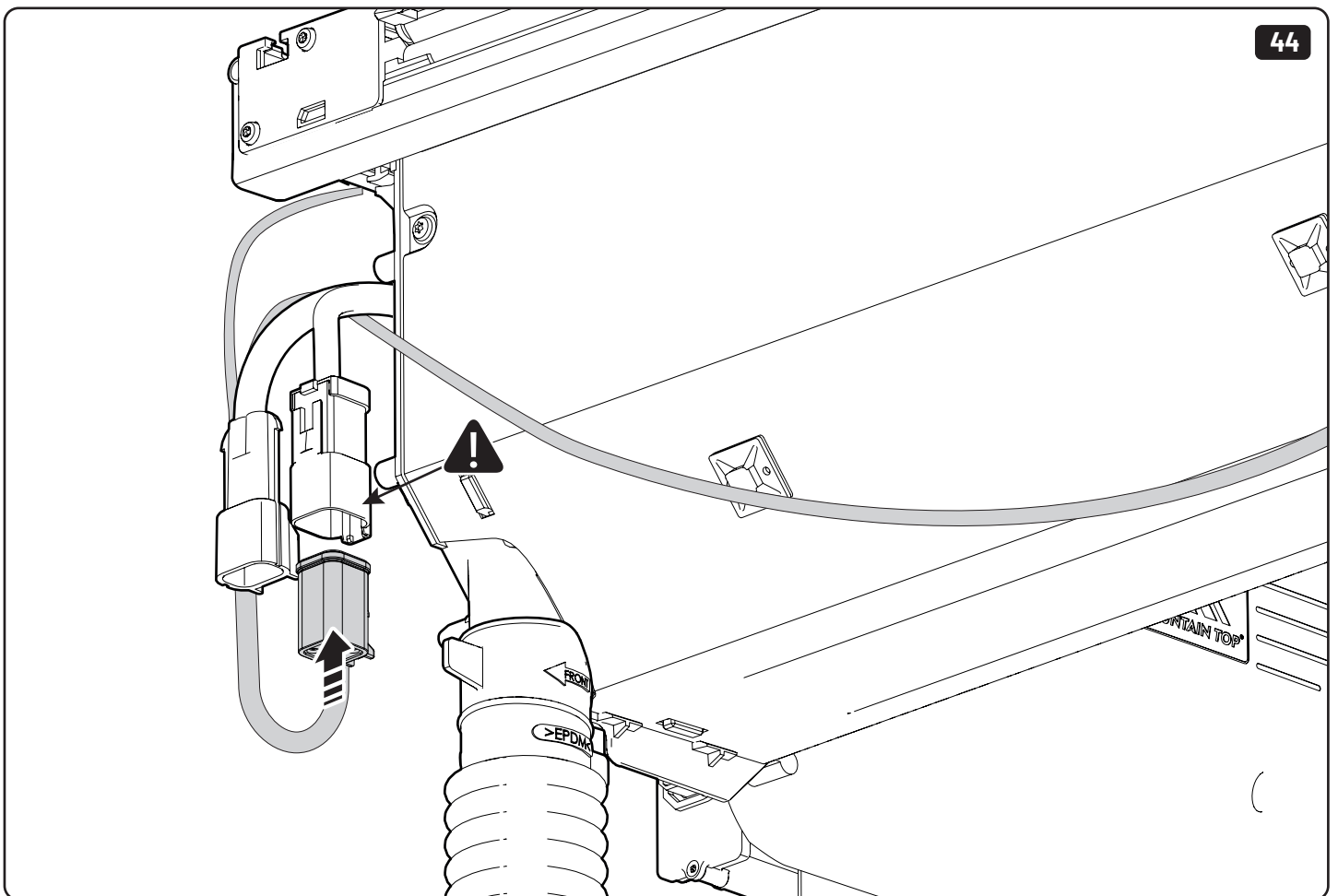
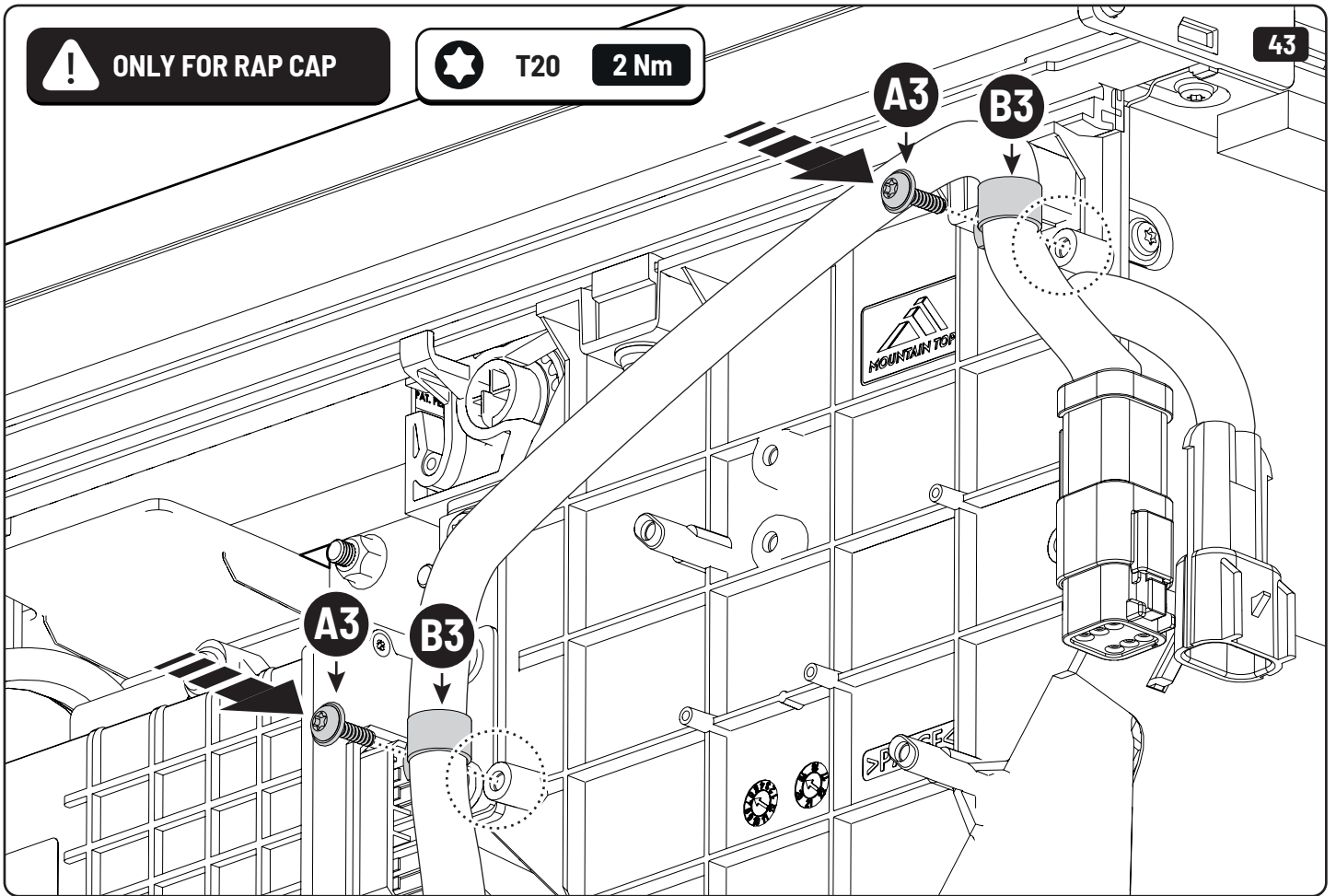


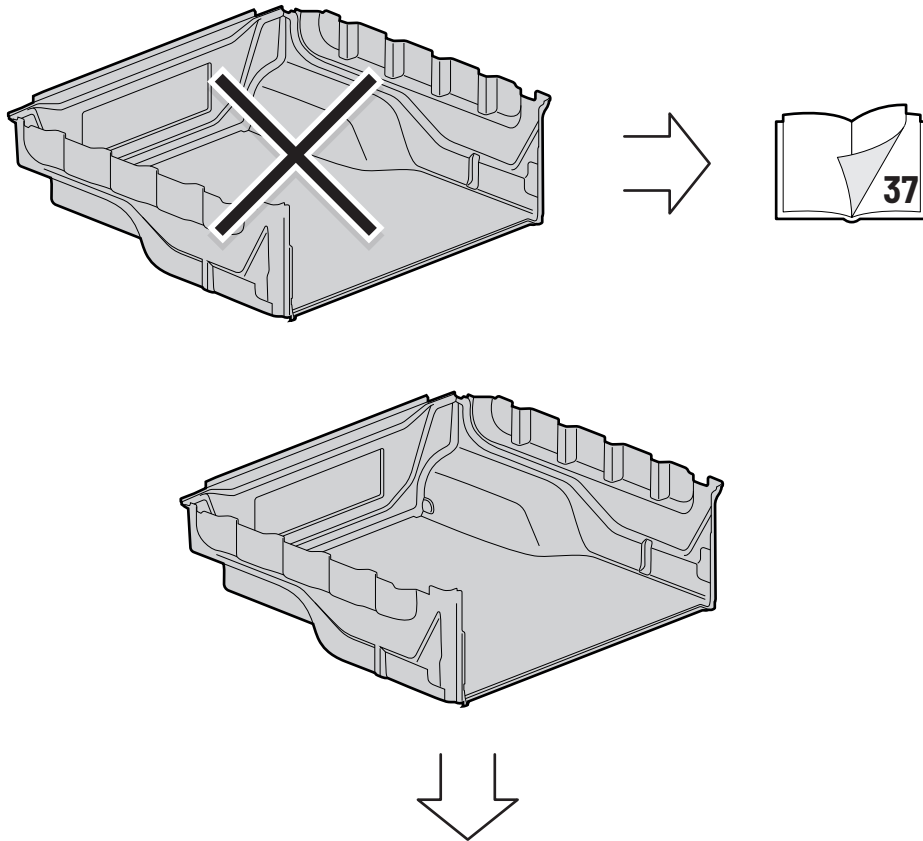






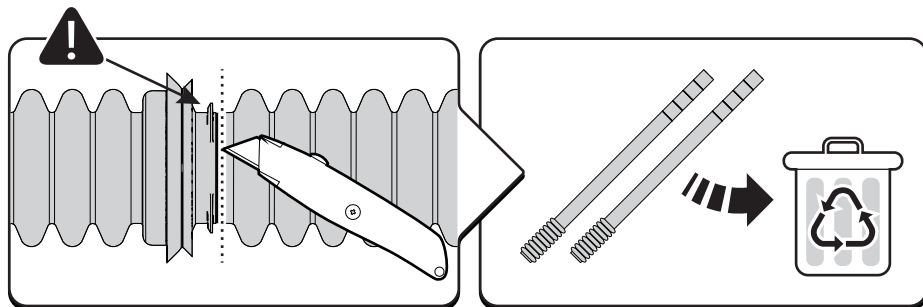
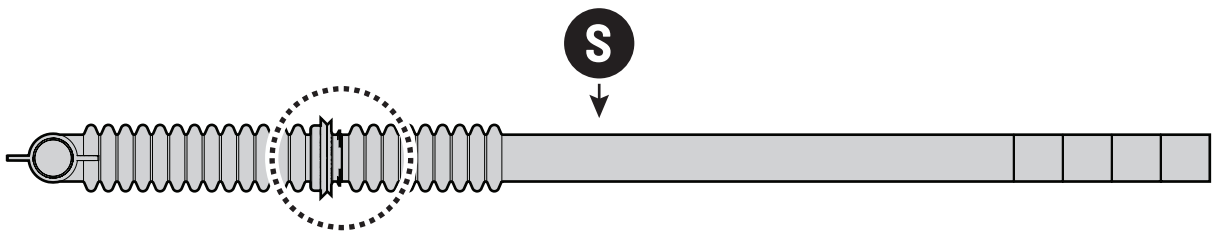




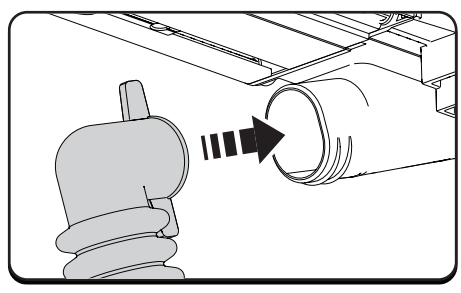
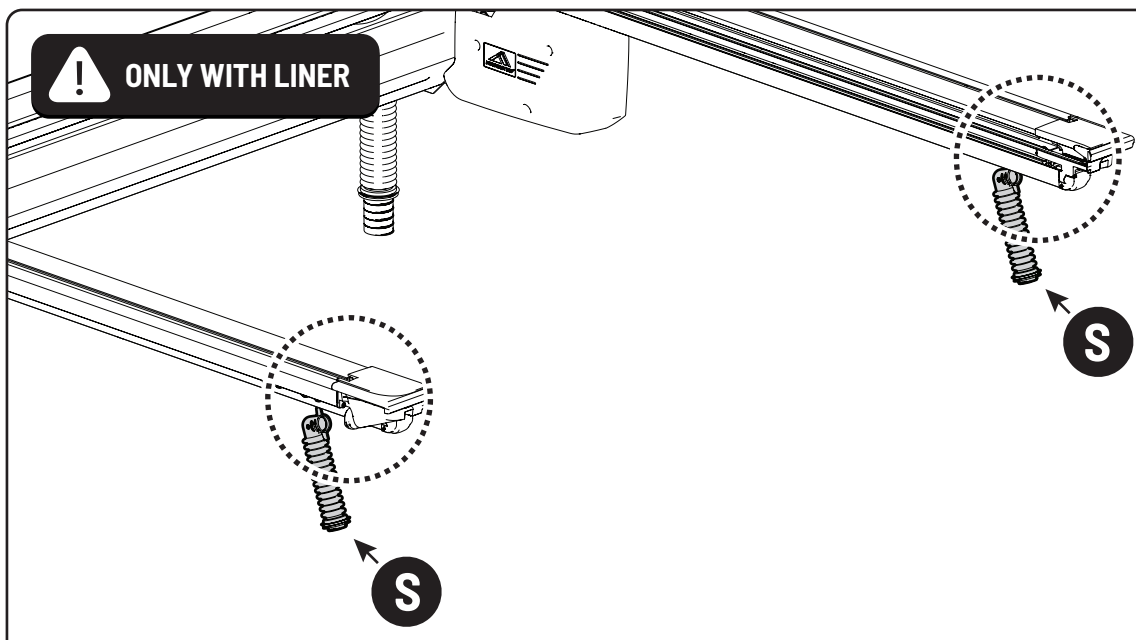


! ONLY WITH LINER

45



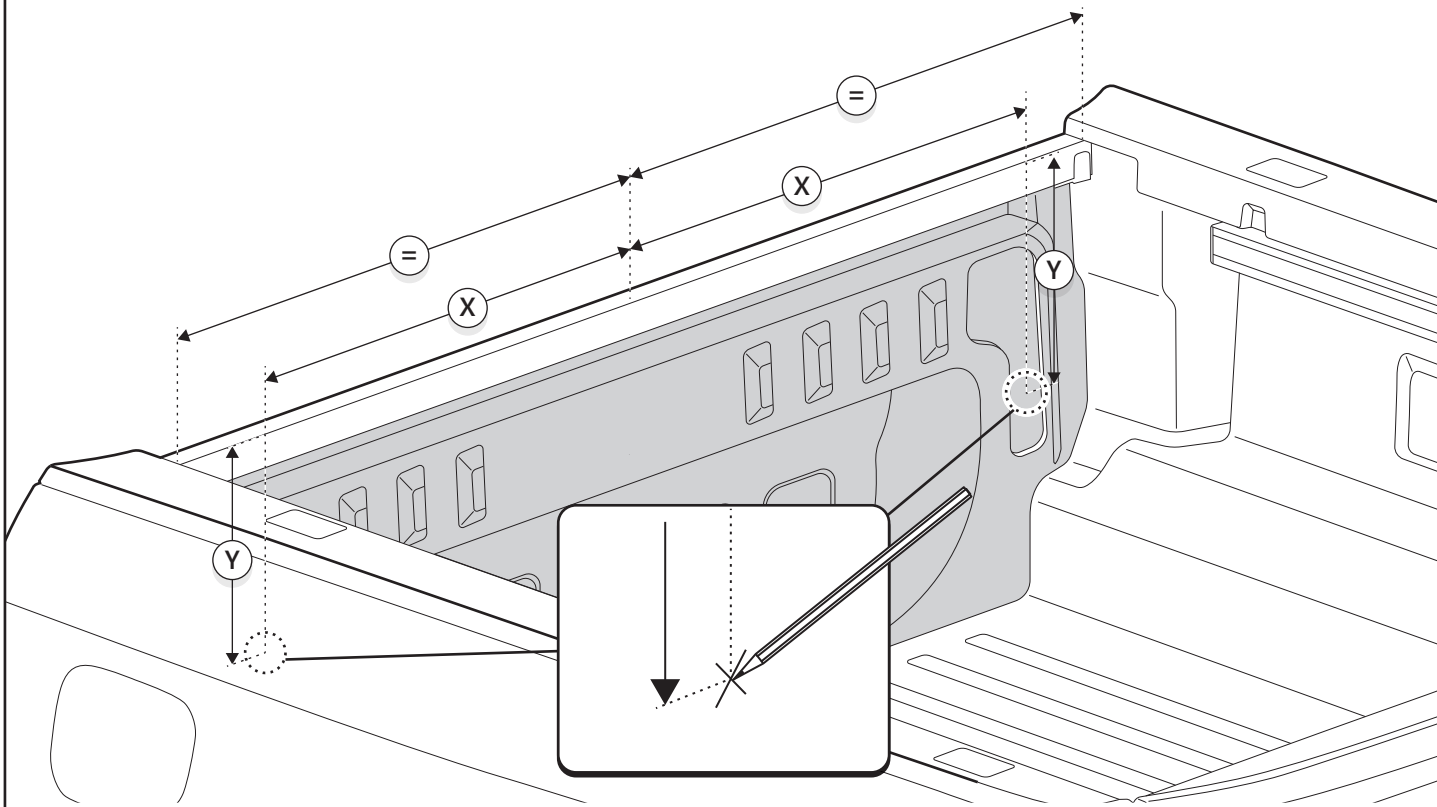
! ONLY WITH LINER



! ONLY WITH LINER

! EUROPEAN MODEL

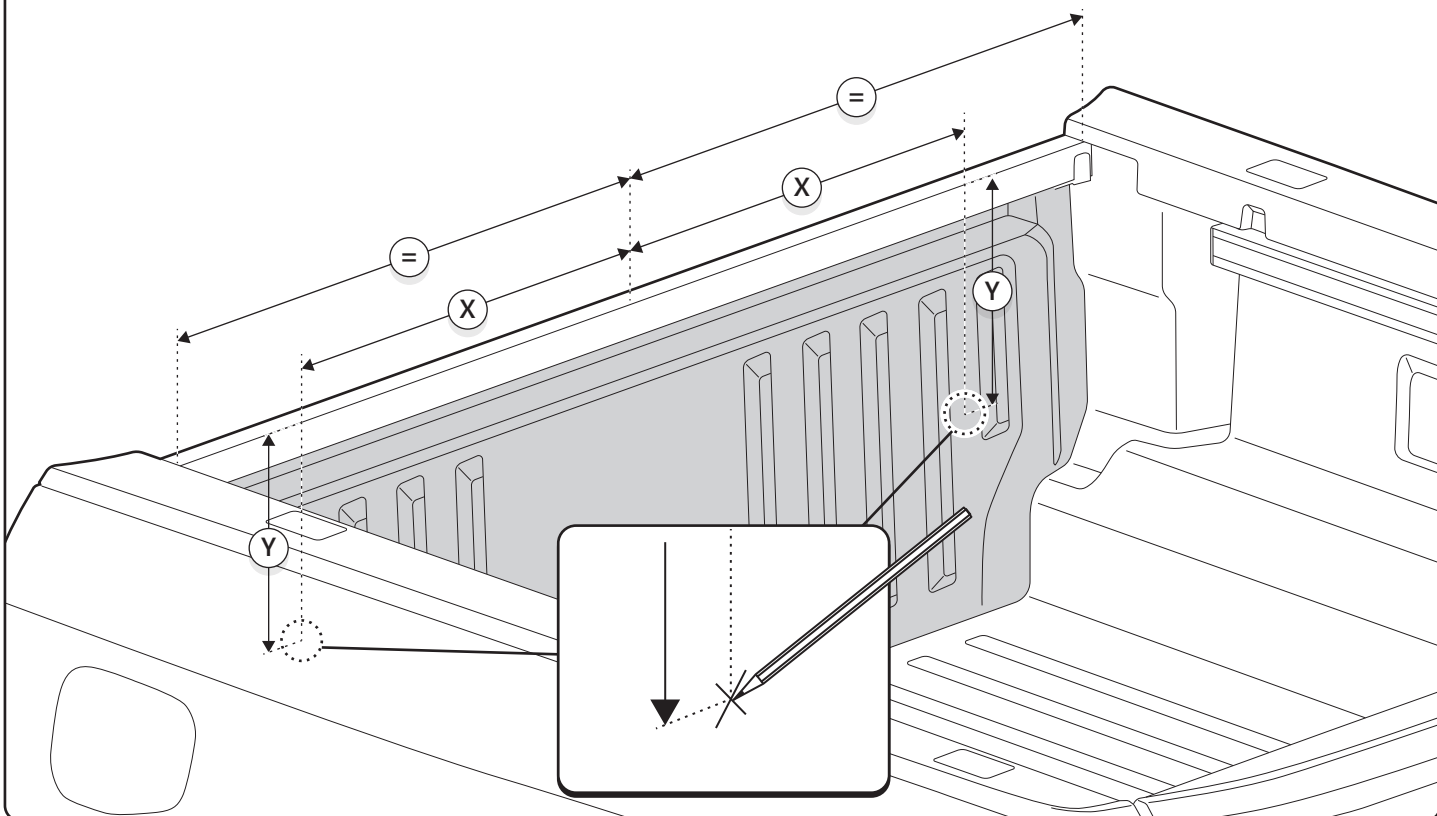
X: 650 mm Y: 290 mm



! ONLY WITH LINER

! OTHER MODELS

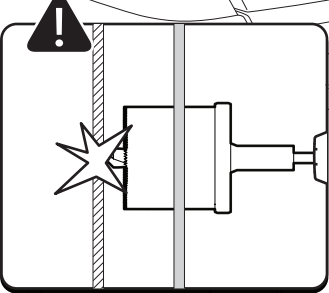
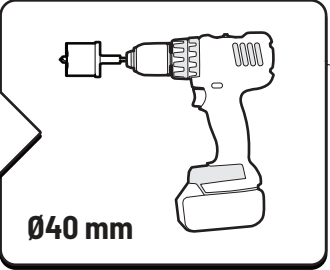
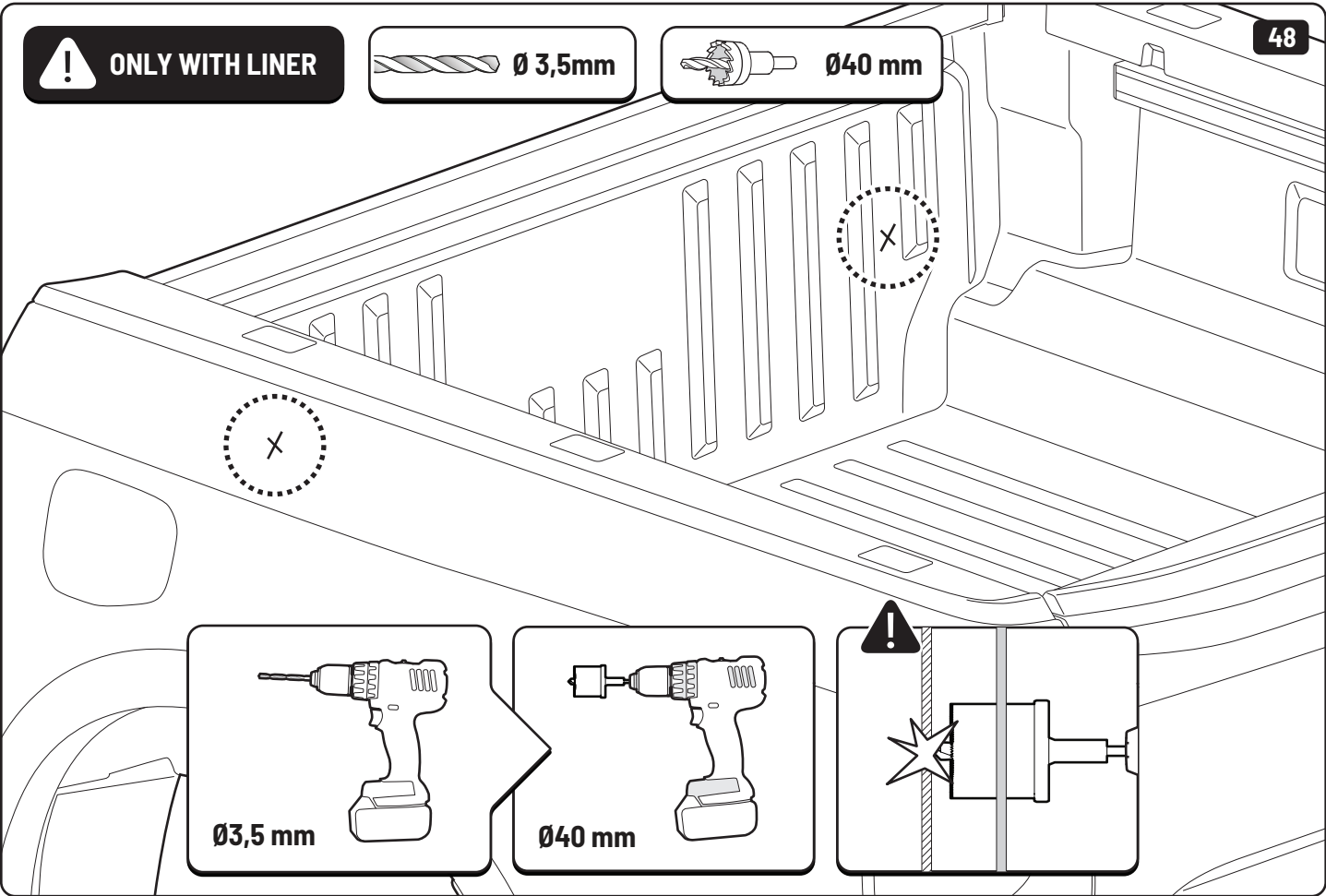
X: 560 mm Y: 330 mm



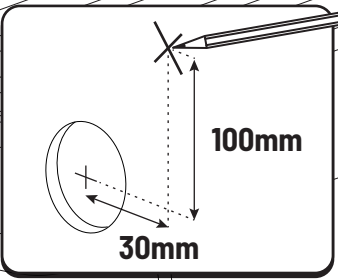
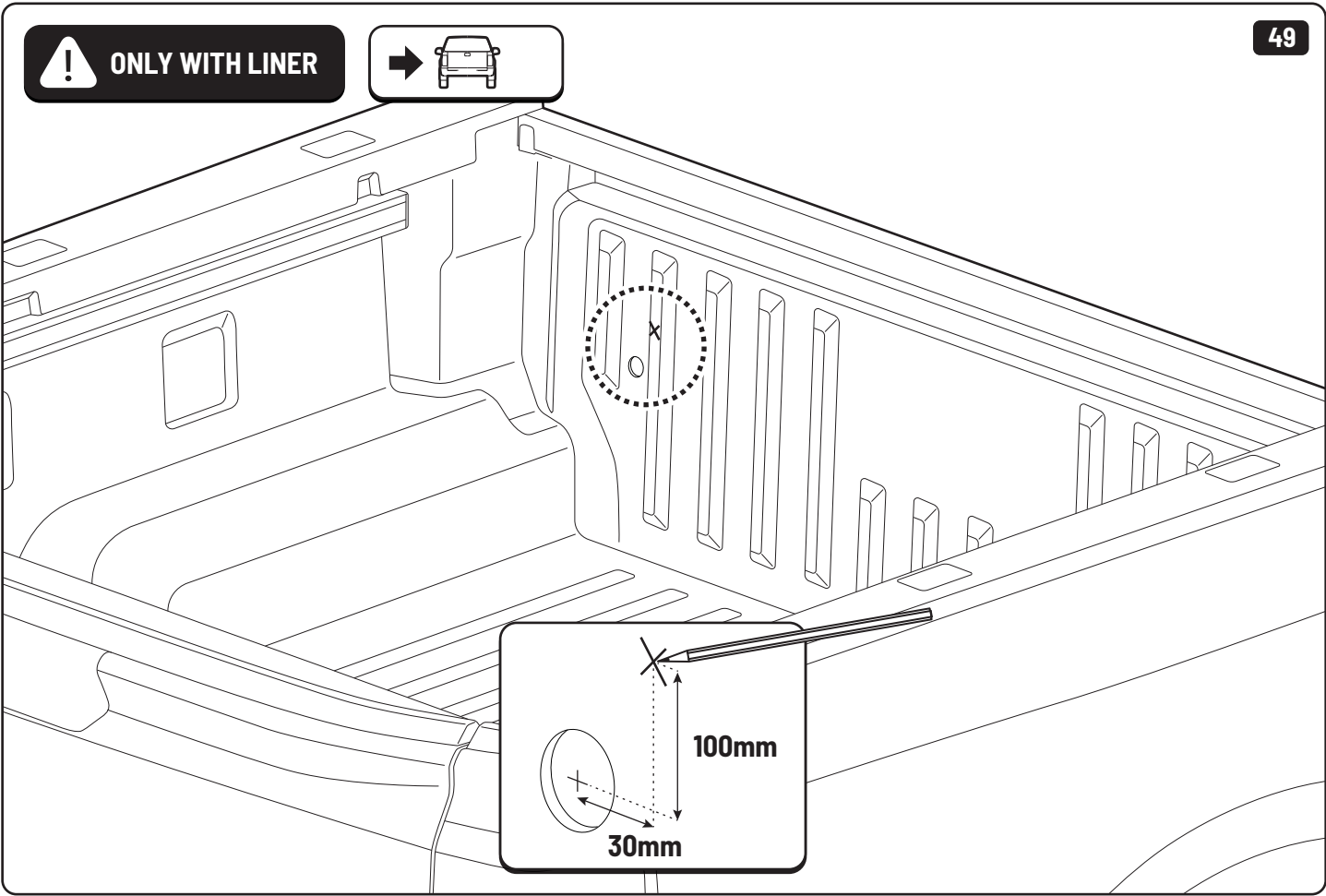
! ONLY WITH LINER

 Ø 3,5mm

 Ø40 mm



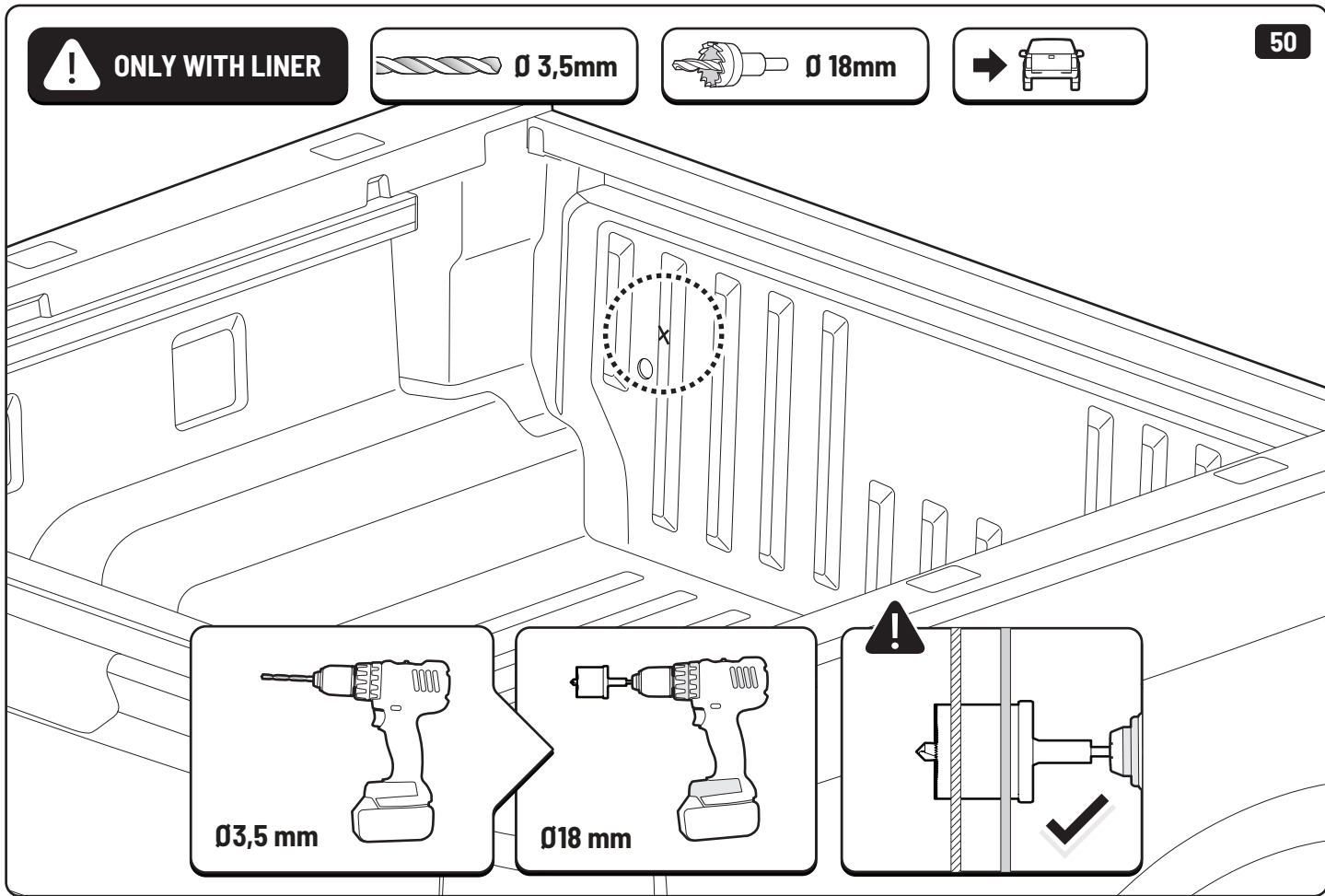
! ONLY WITH LINER



! ONLY WITH LINER



50



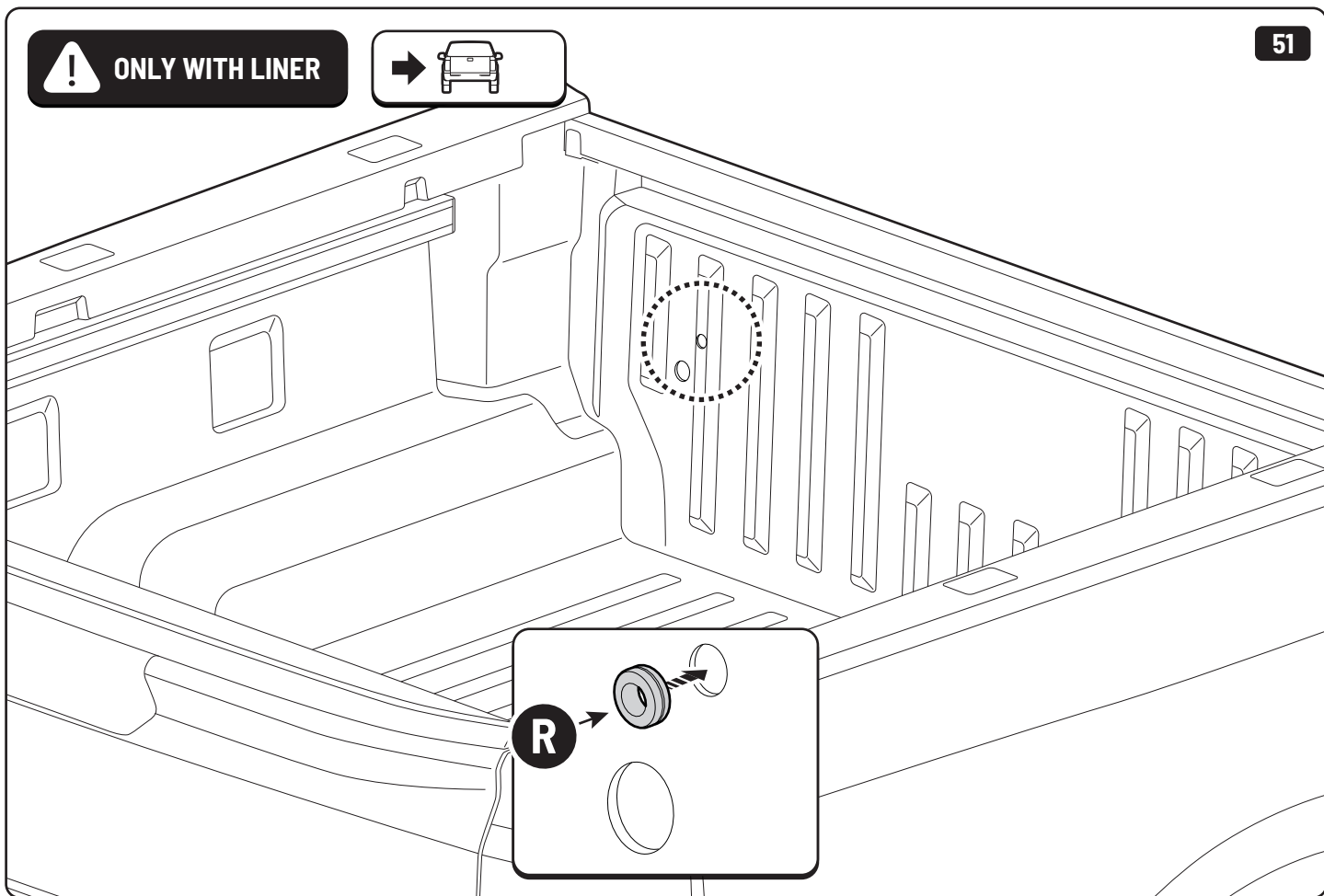
Ø3,5 mm

Ø18 mm

! ONLY WITH LINER



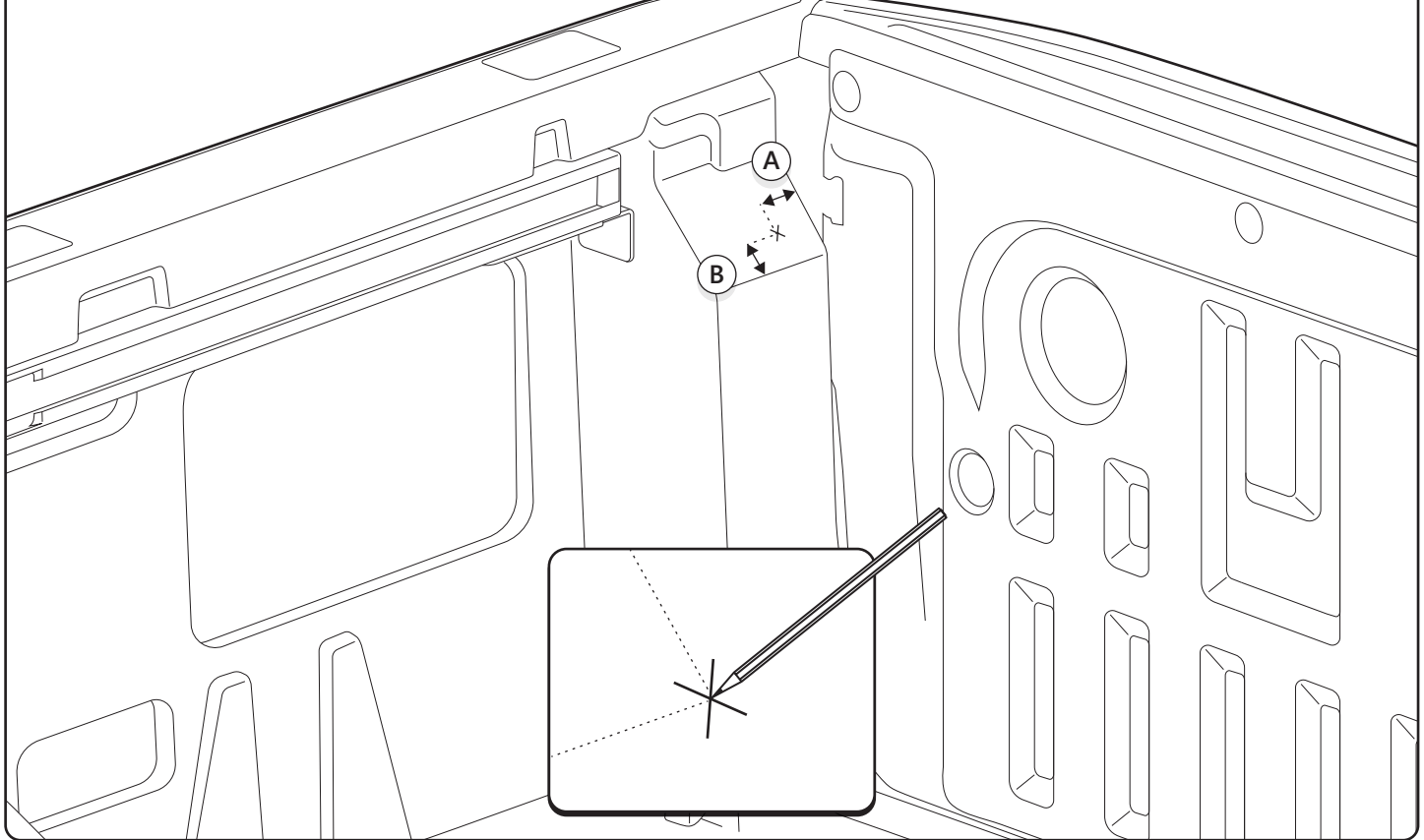
51



R

! ONLY WITH LINER

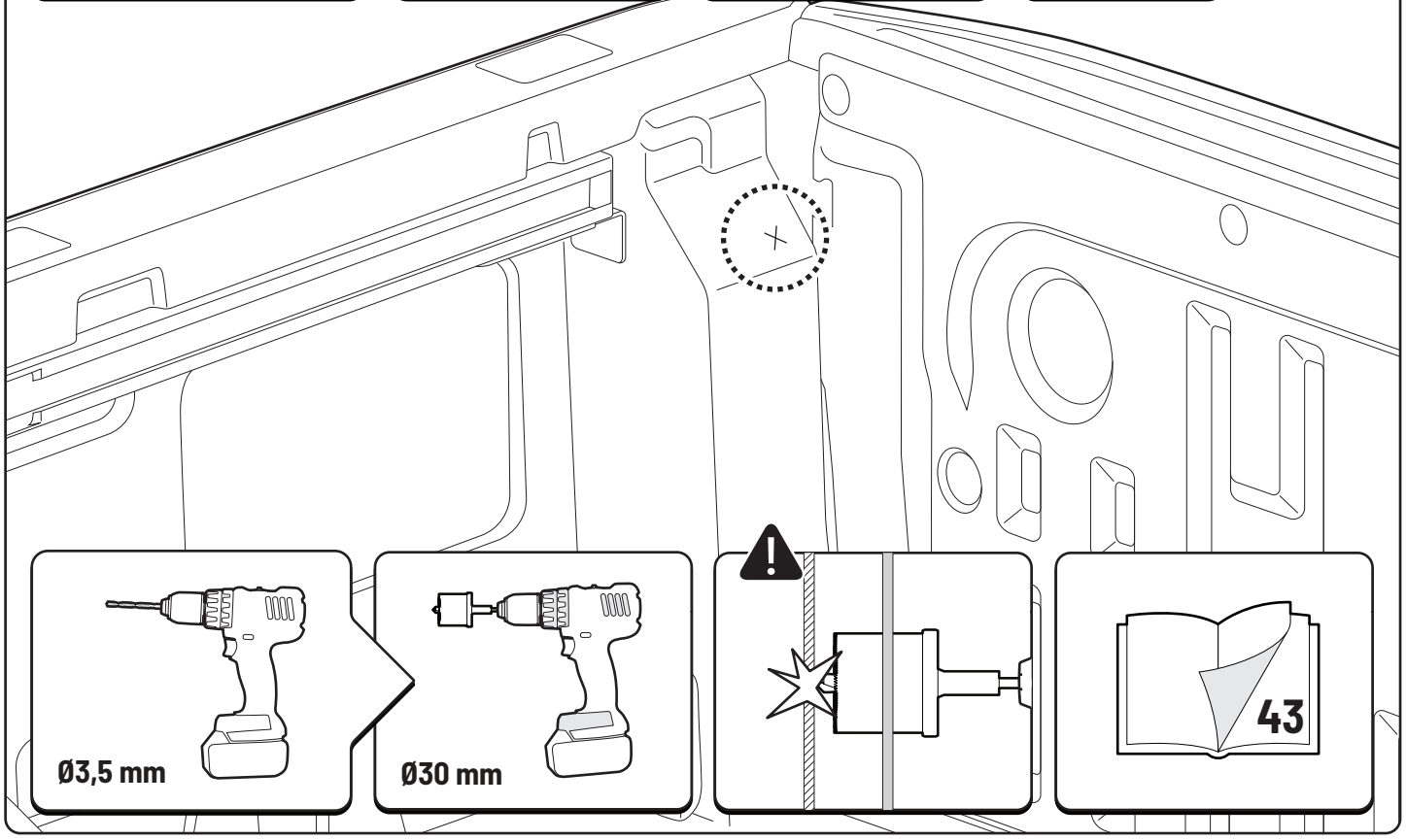
A: 30 mm B: 20 mm

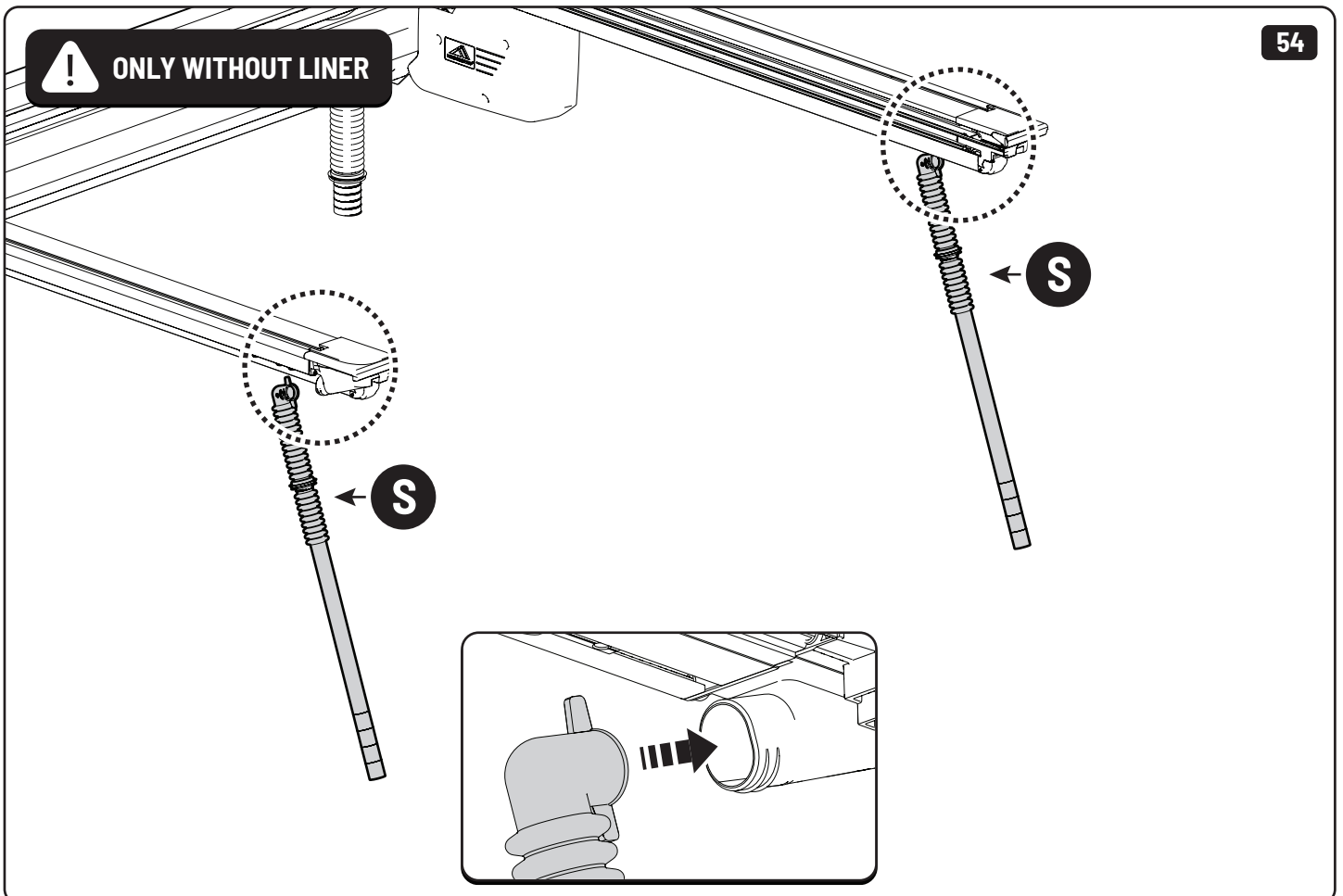
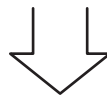
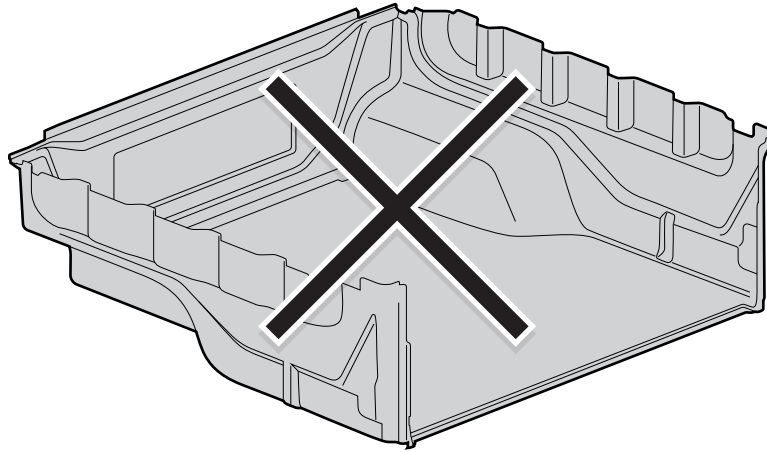


! ONLY WITH LINER

Ø 3,5mm

Ø30 mm

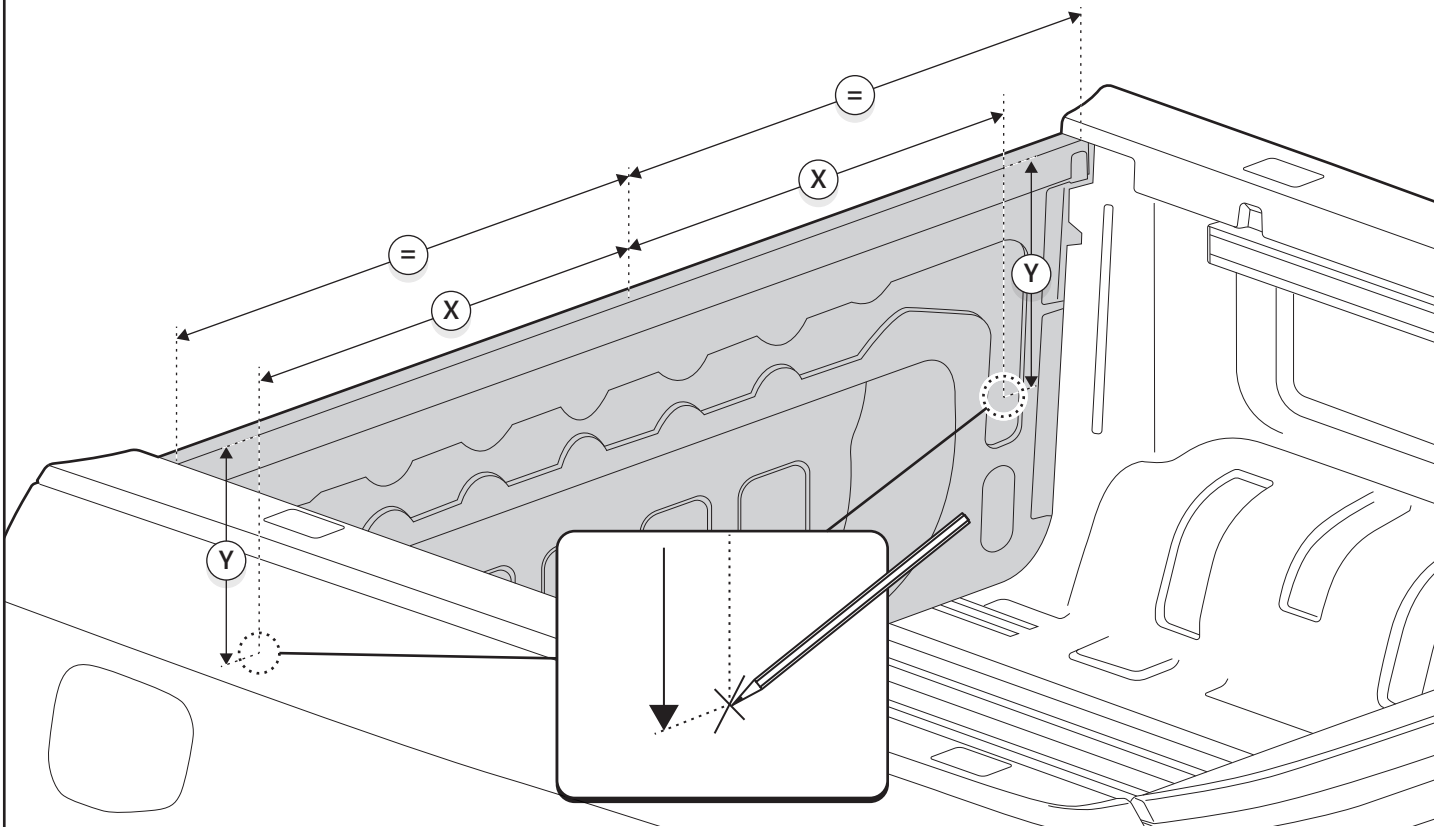




! ONLY WITHOUT LINER

! EUROPEAN MODEL

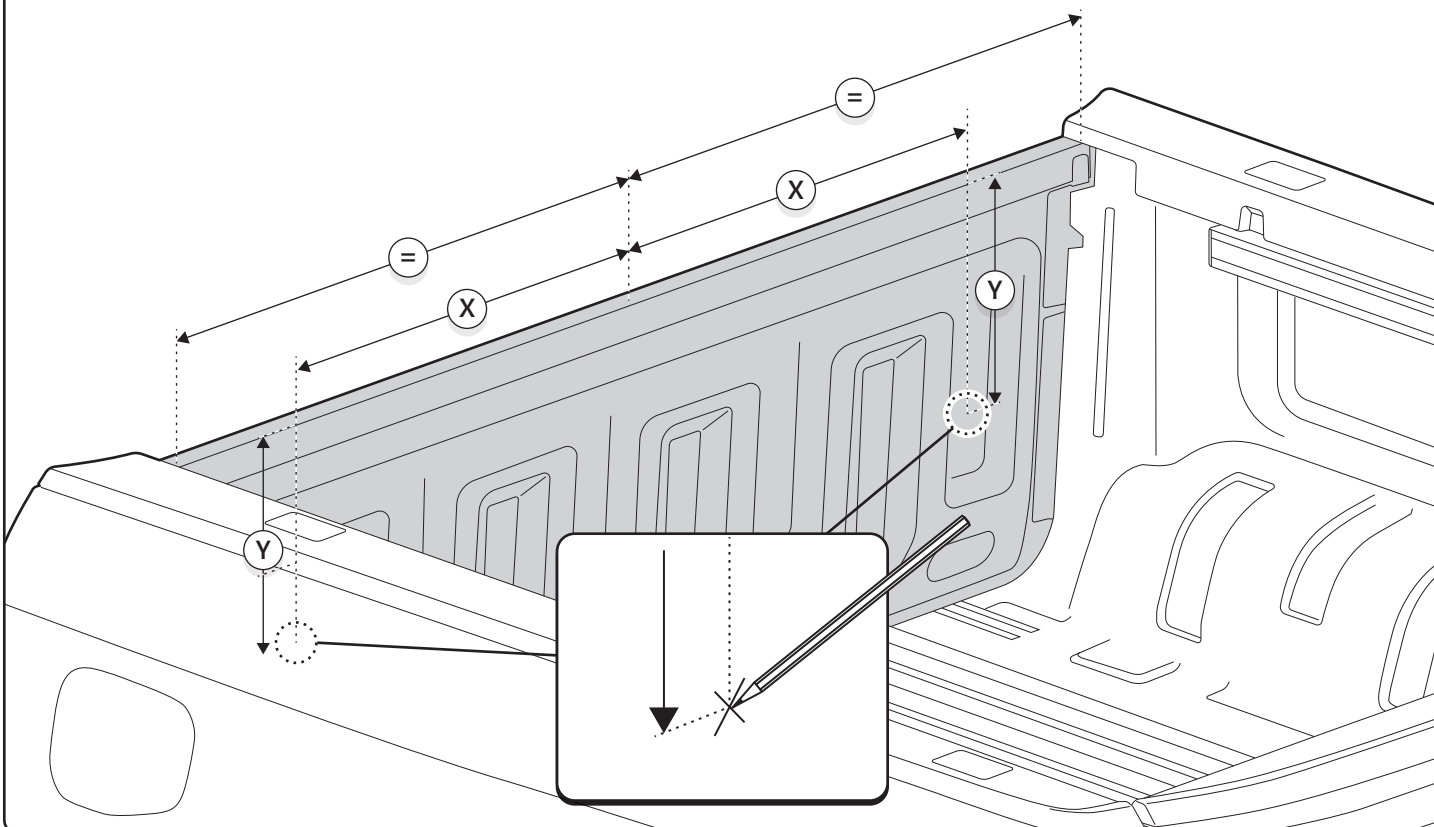
X: 650 mm Y: 290 mm



! ONLY WITHOUT LINER

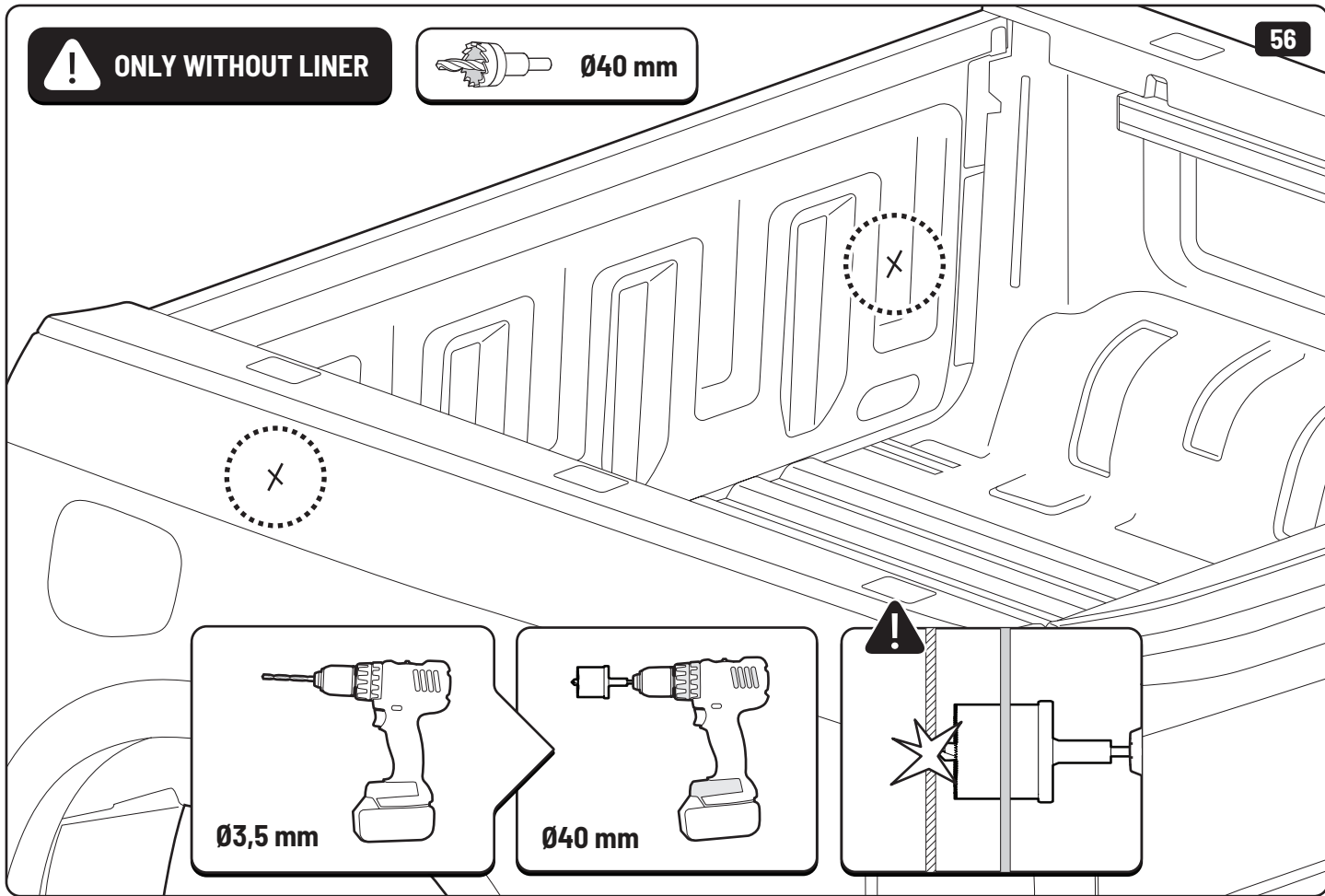
! OTHER MODELS

X: 580 mm Y: 290 mm



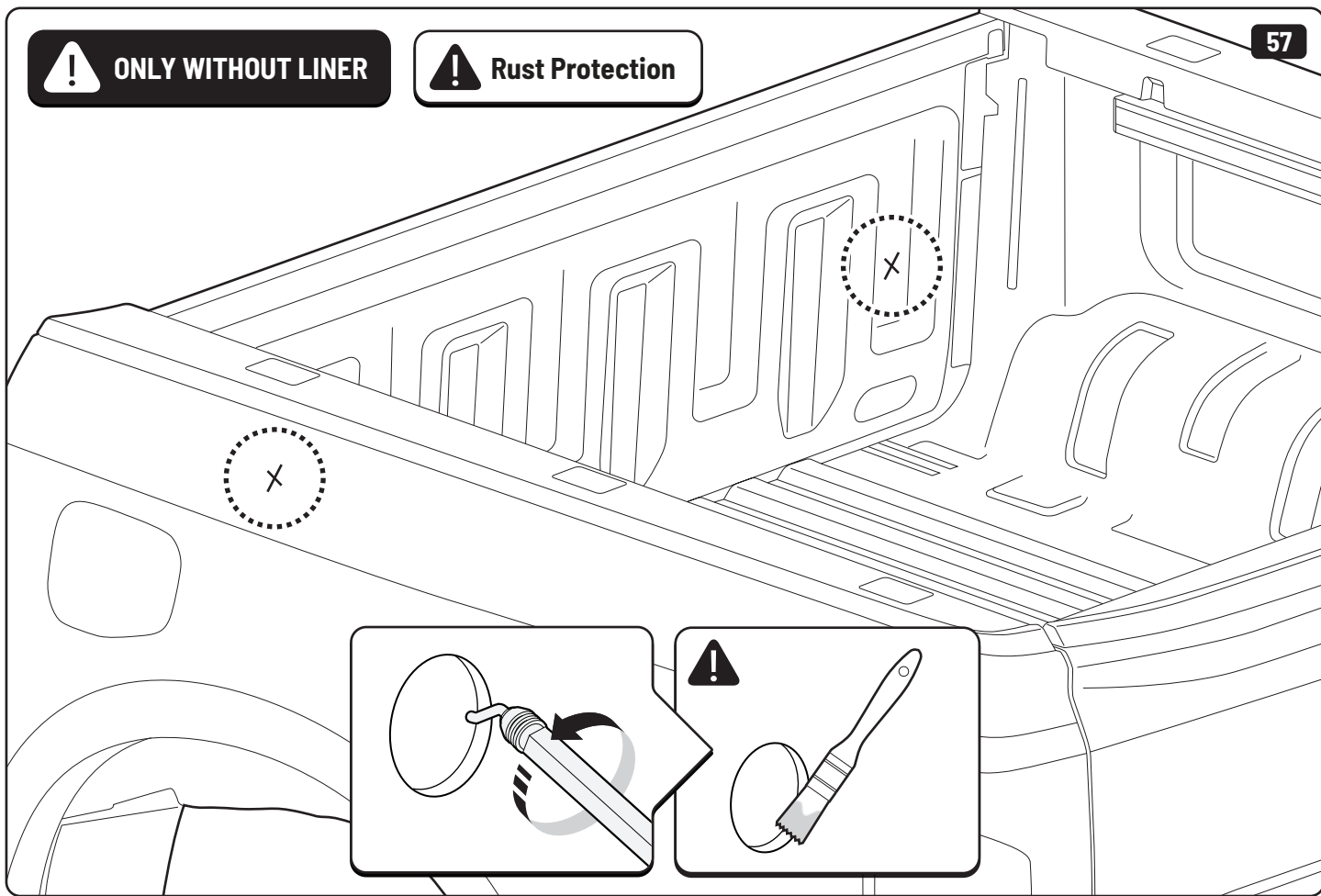
! ONLY WITHOUT LINER

 **Ø40 mm**

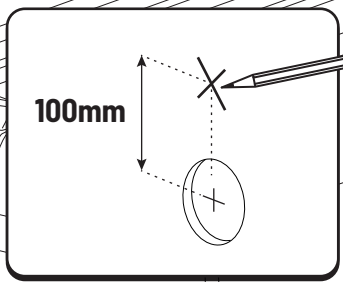
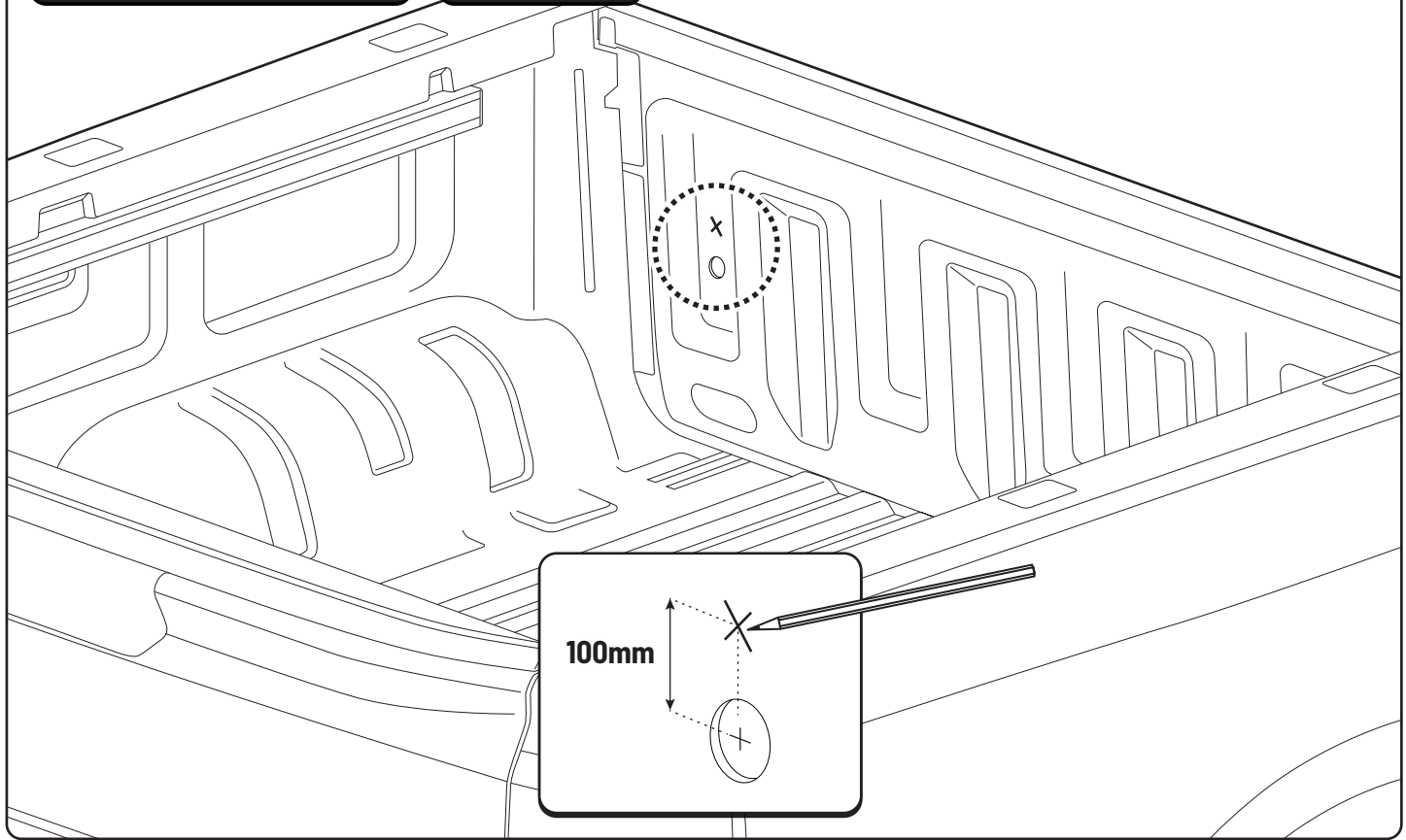


! ONLY WITHOUT LINER

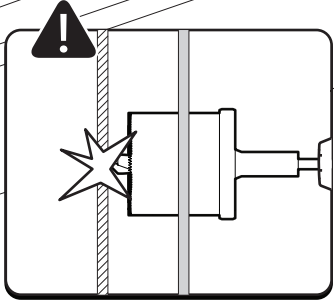
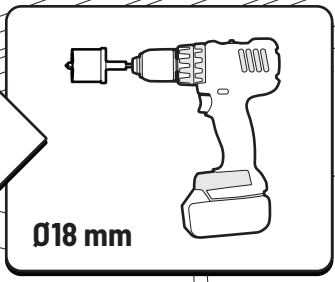
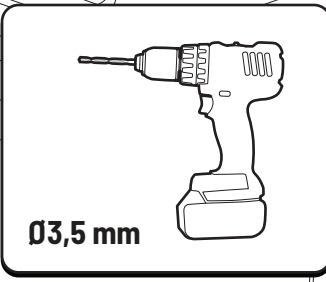
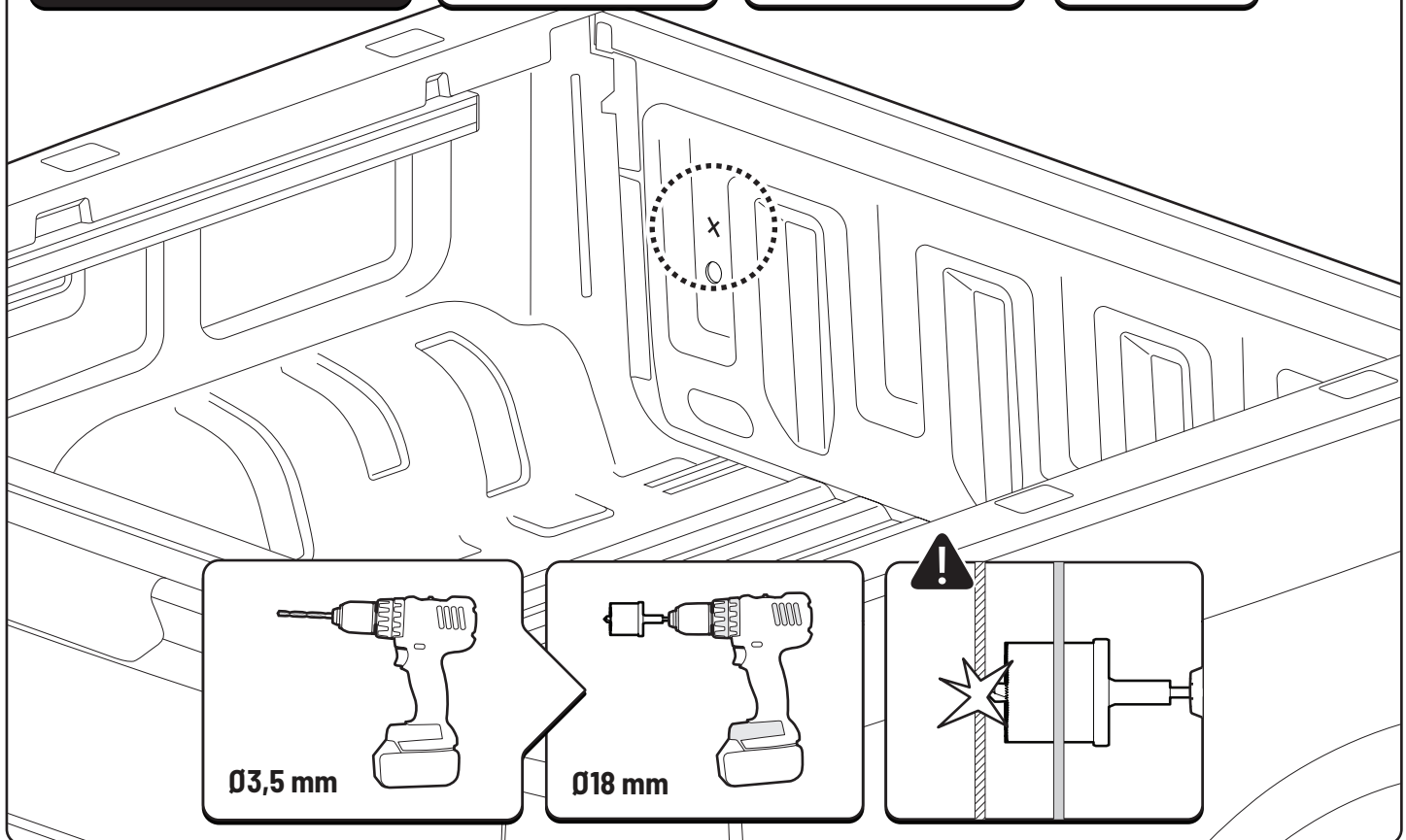
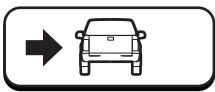
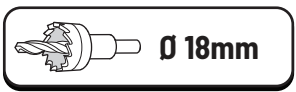
! Rust Protection



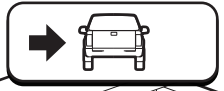
! ONLY WITHOUT LINER



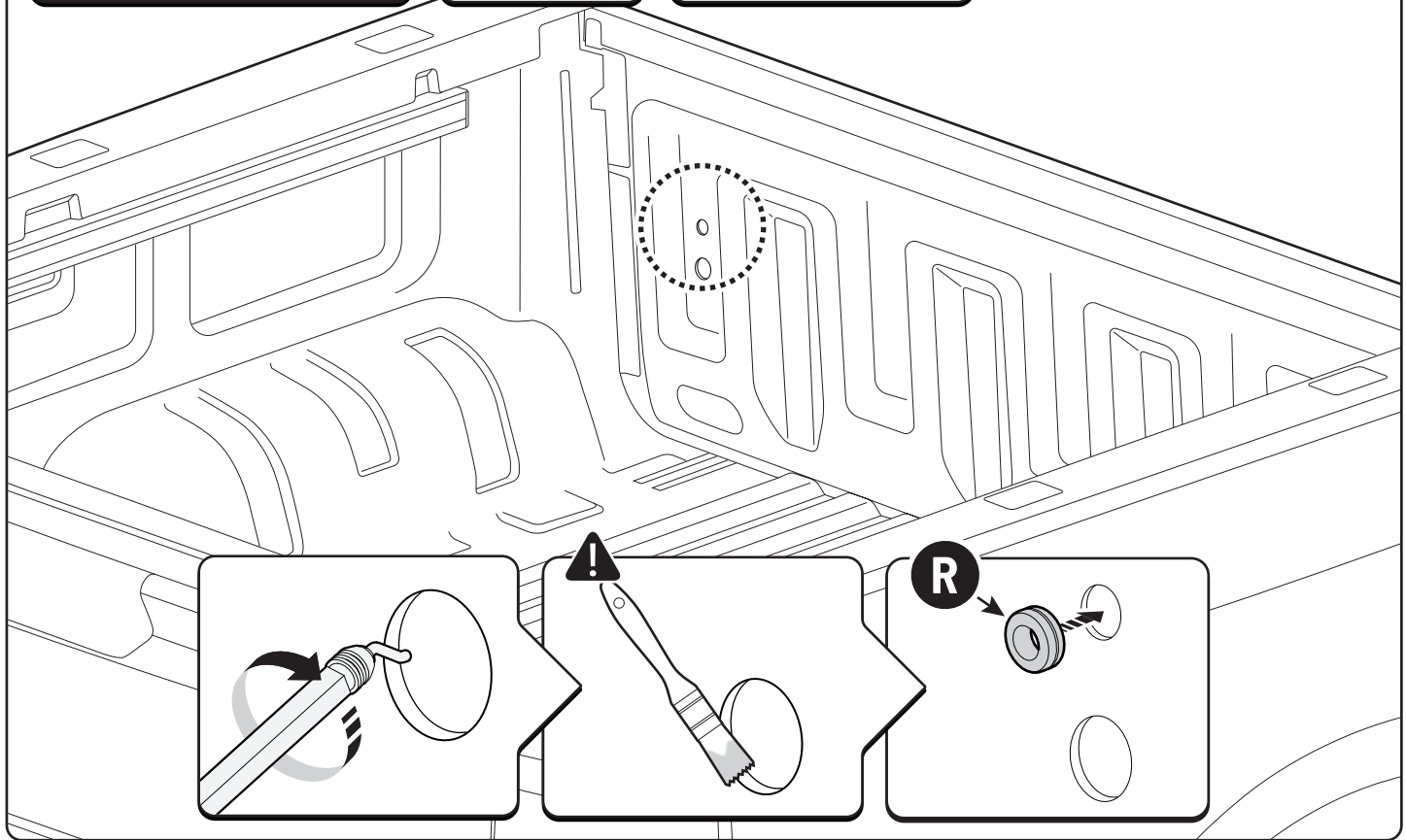
! ONLY WITHOUT LINER



! ONLY WITHOUT LINER

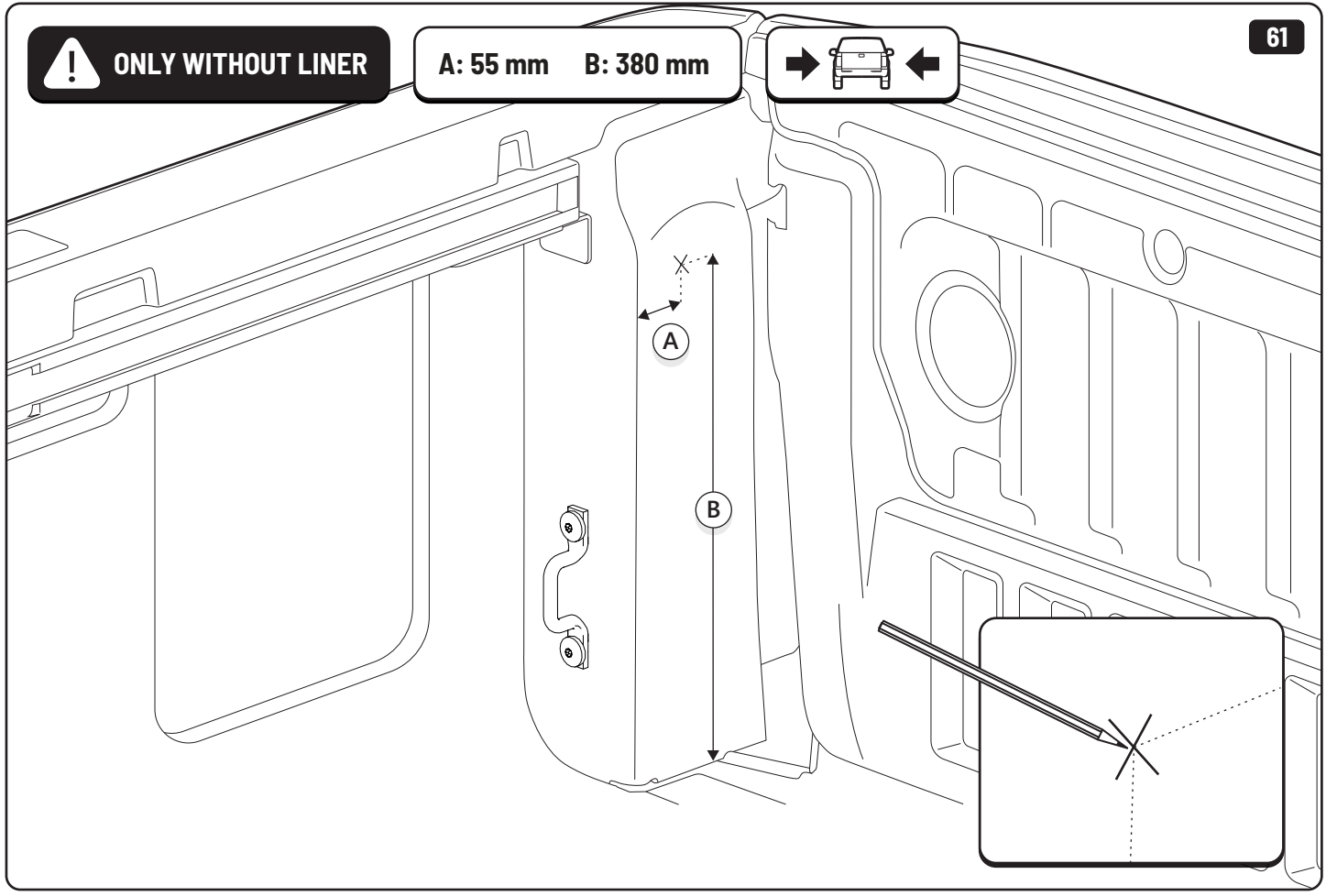
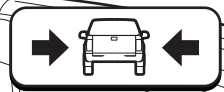


! Rust Protection



! ONLY WITHOUT LINER

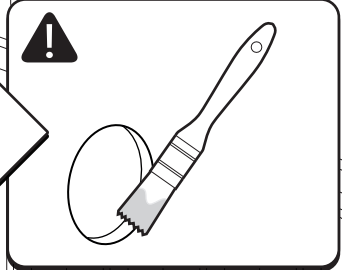
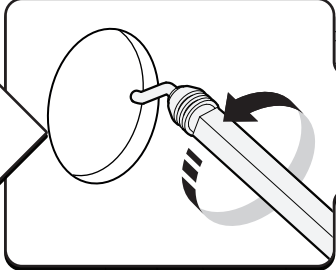
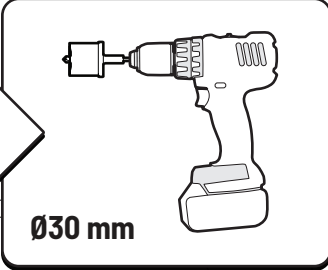
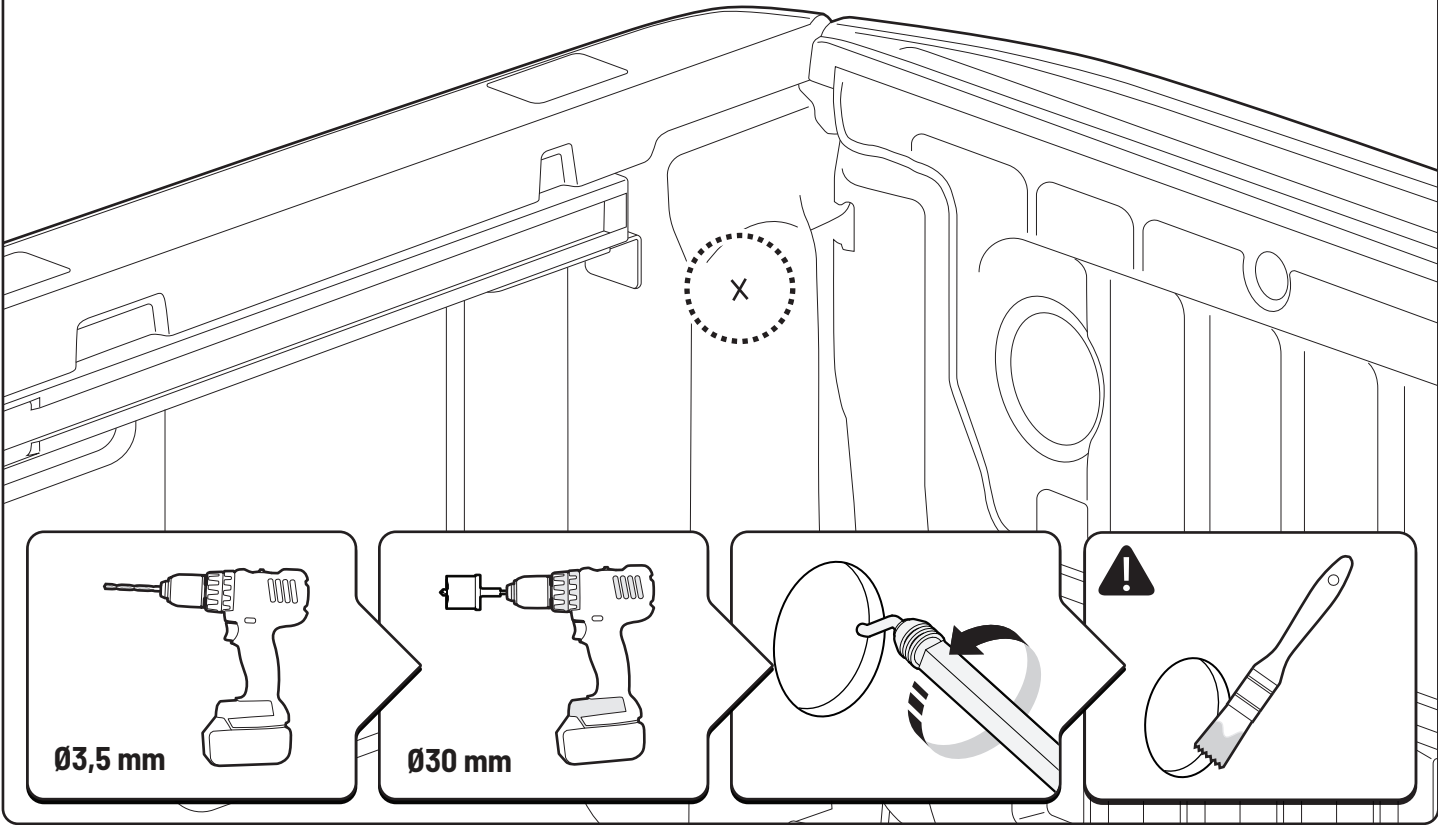
A: 55 mm B: 380 mm



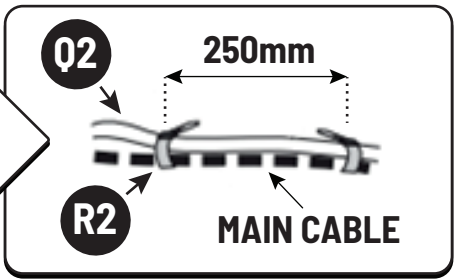
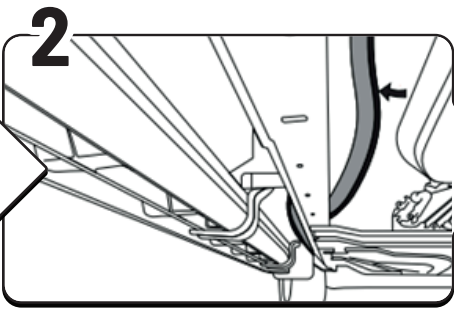
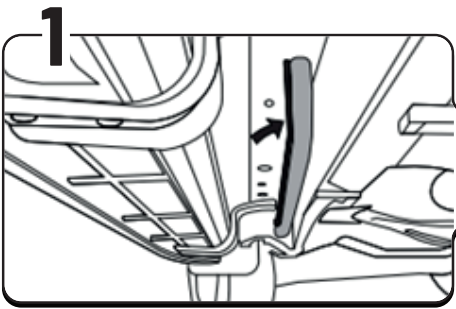
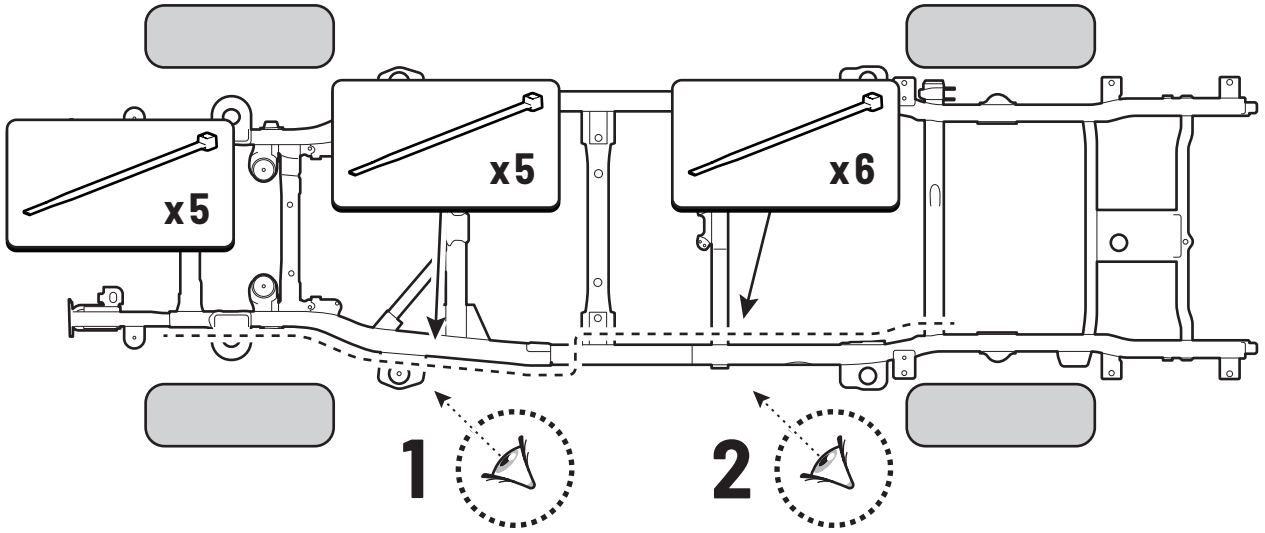
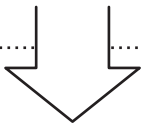
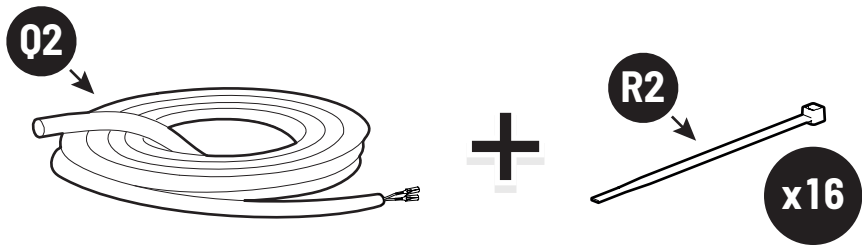
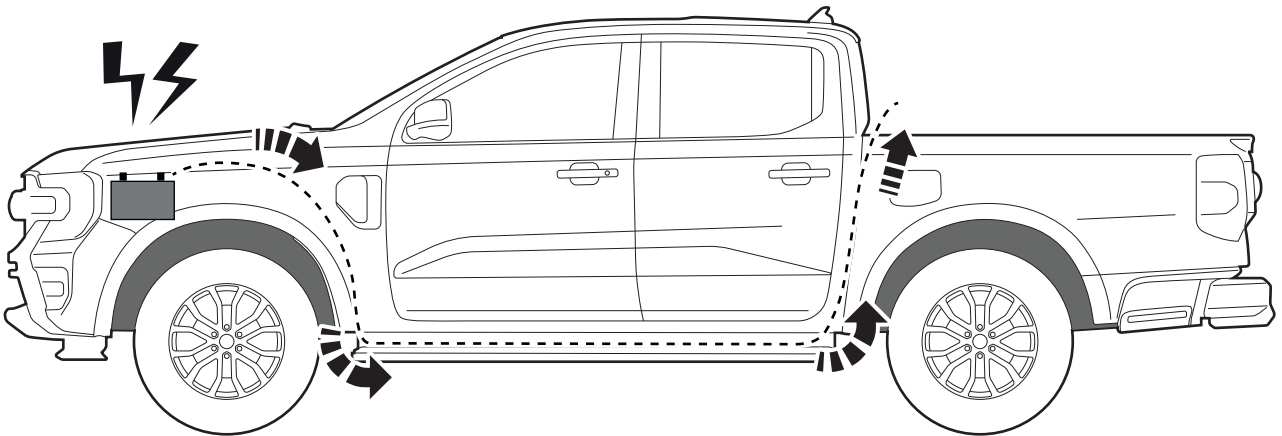
! ONLY WITHOUT LINER

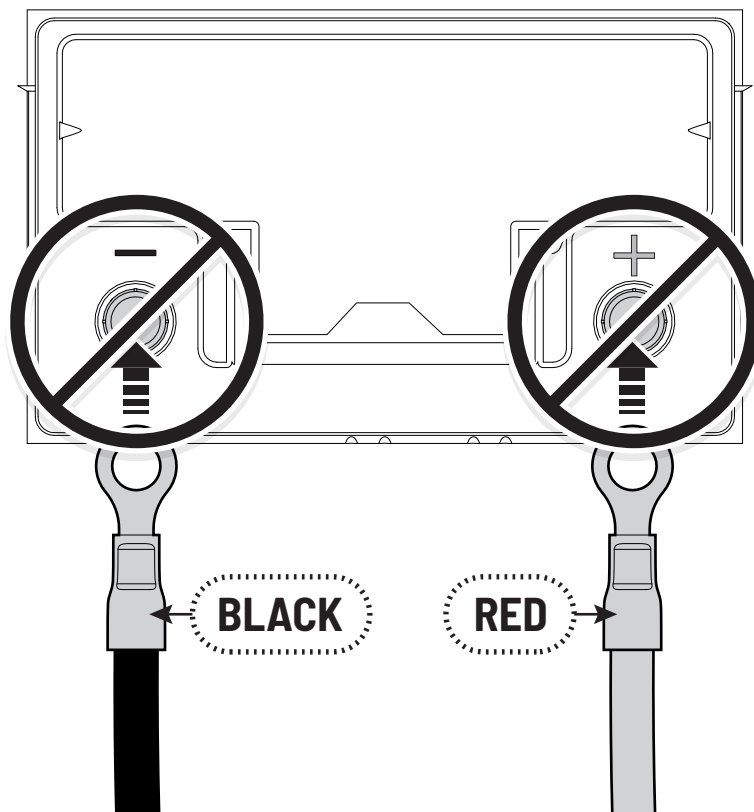
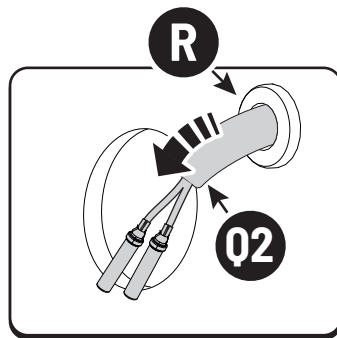
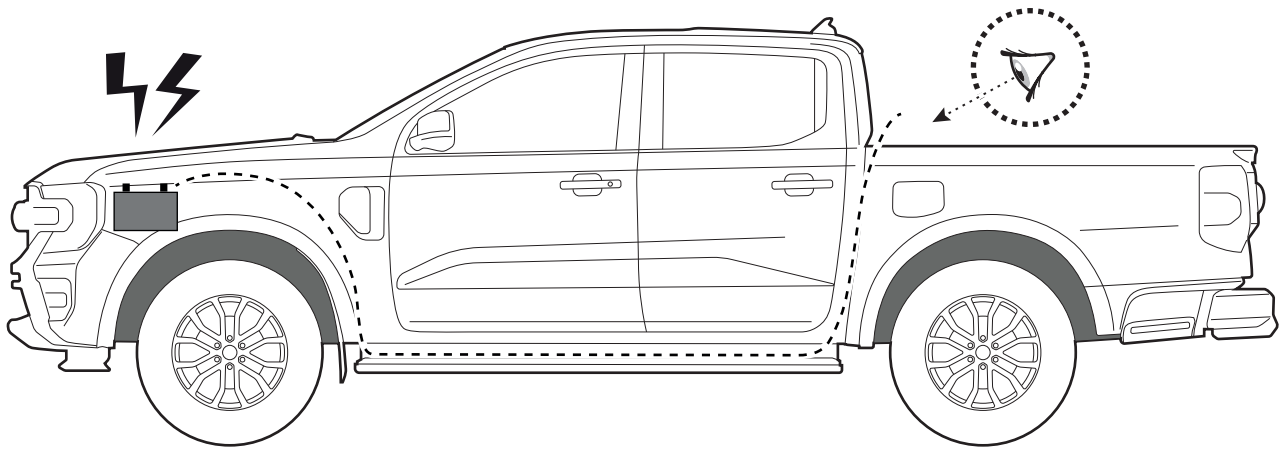


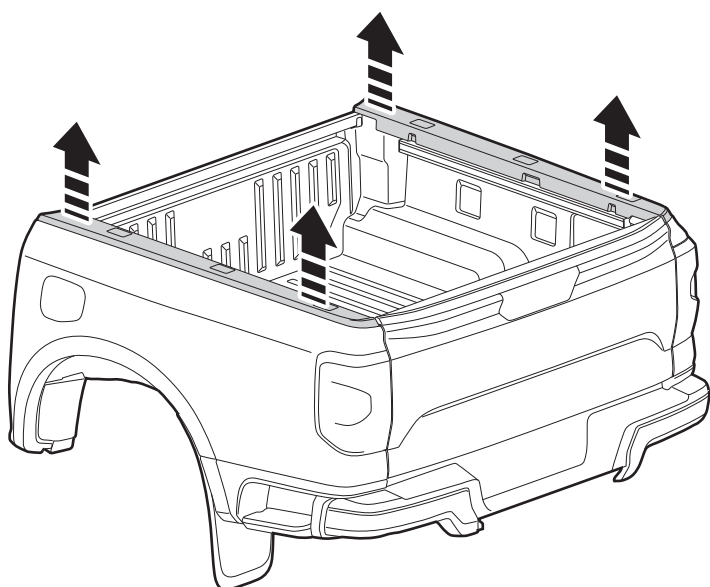
! Rust Protection



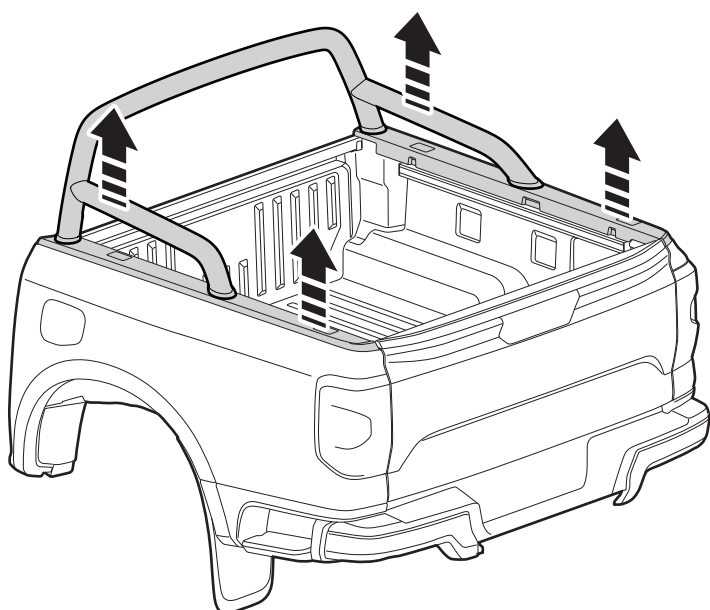
! ONLY TO BE INSTALLED BY AUTHORIZED PERSONNEL



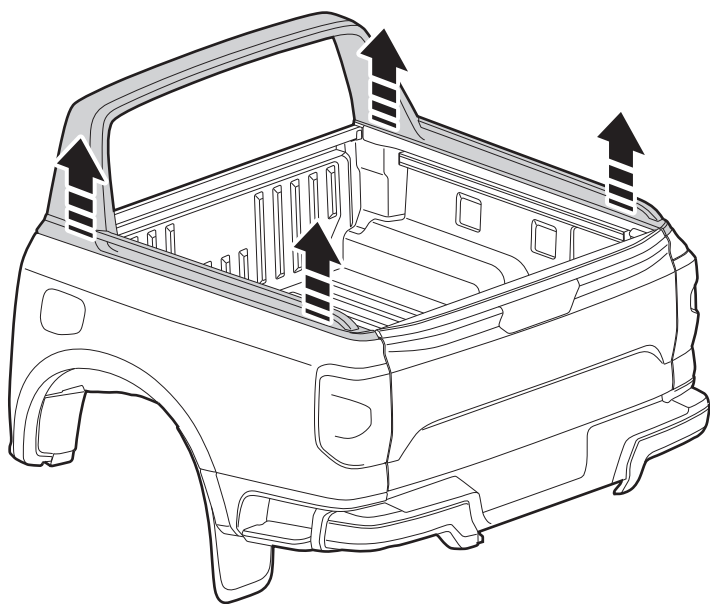




Ford XLT / Raptor



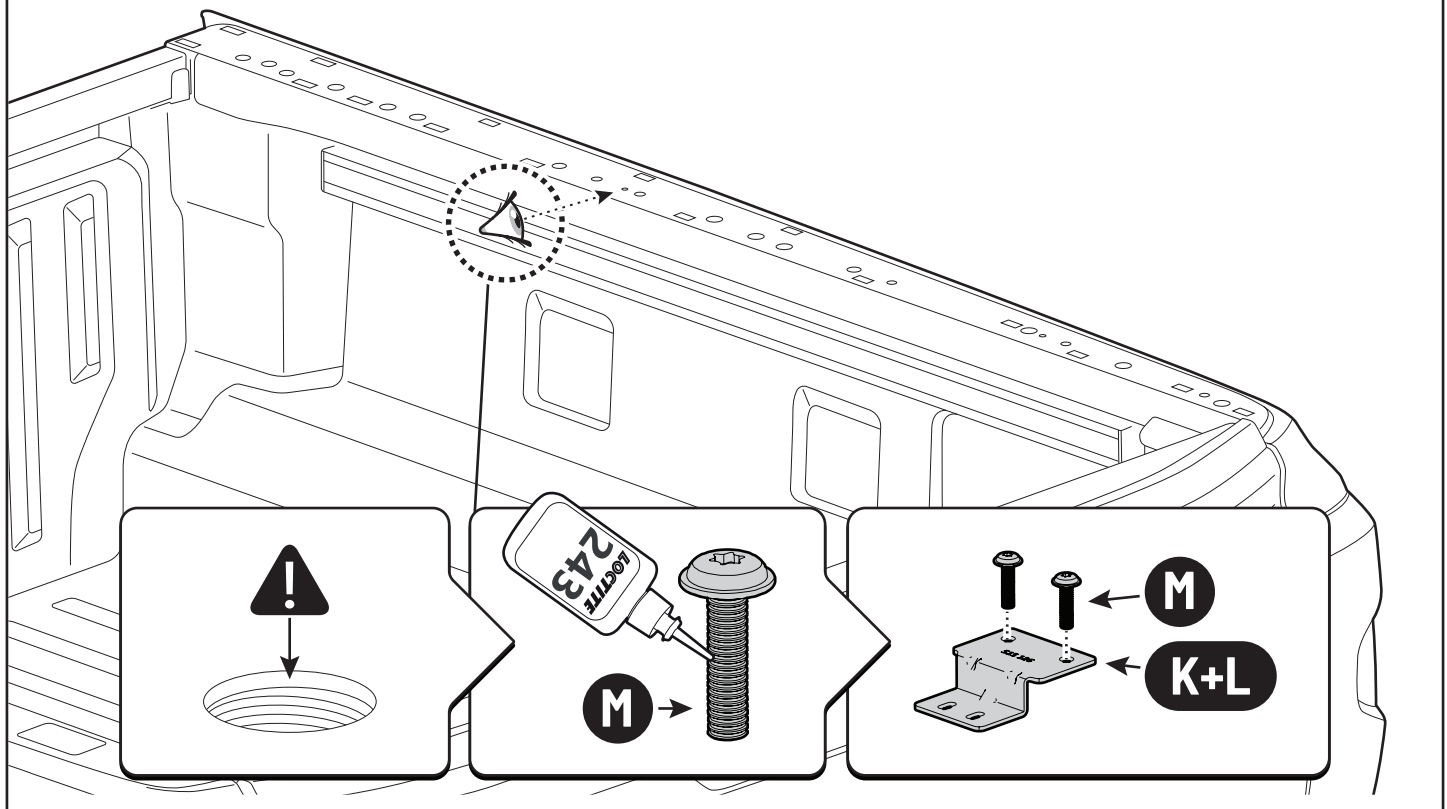
Ford XLT / Raptor



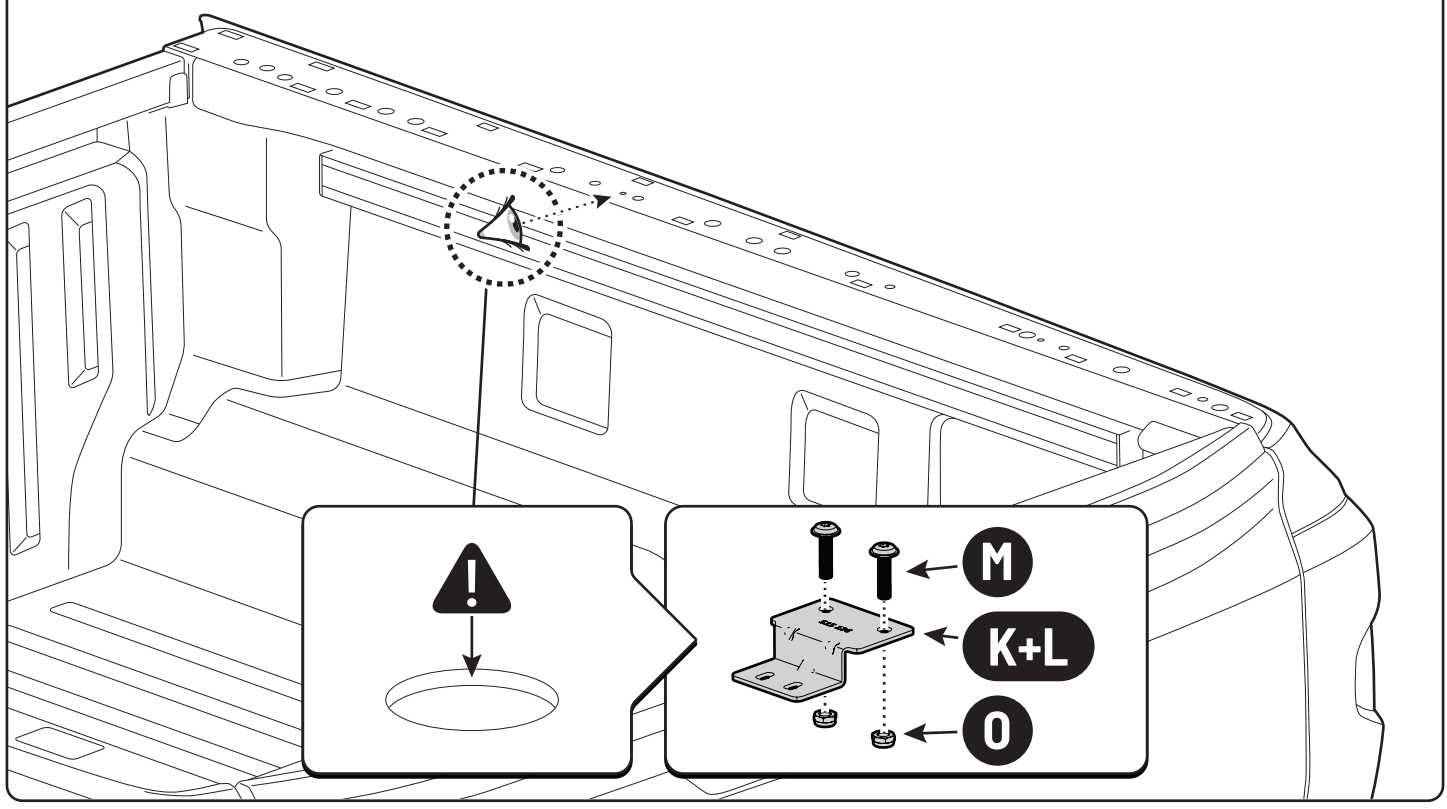
Ford Wildtrak

! ONLY FOR THREADED HOLES

LOCTITE 243

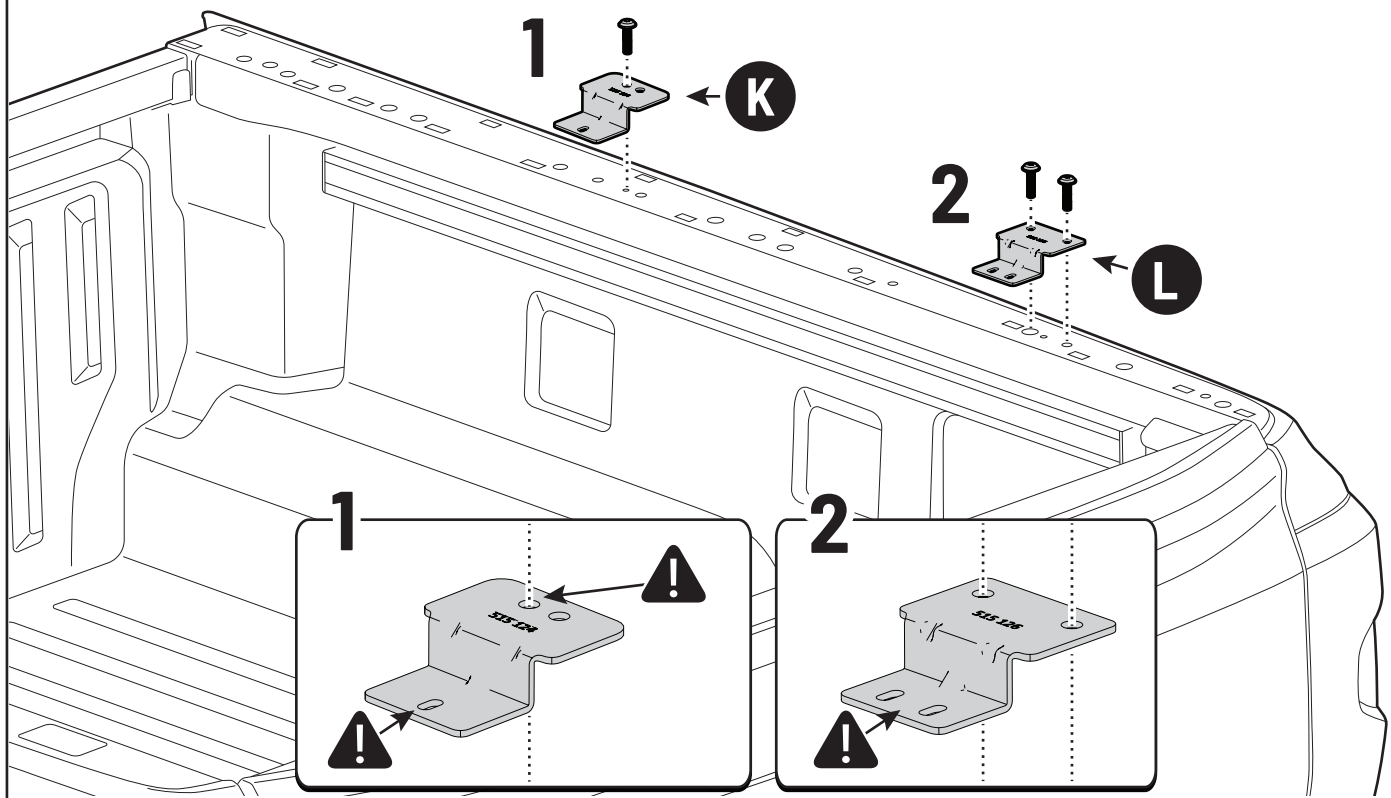
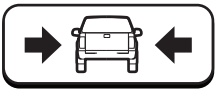


! ONLY FOR NON-THREADED HOLES



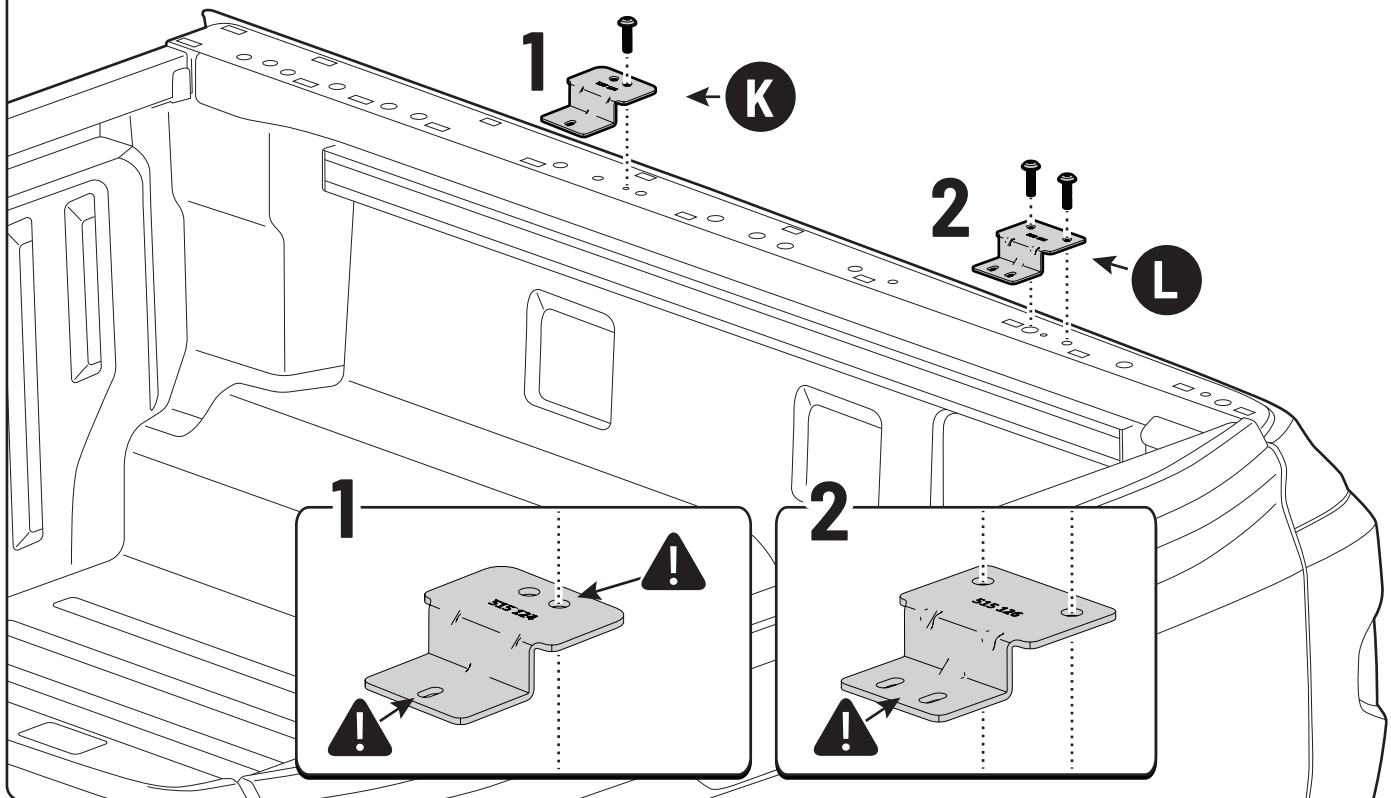
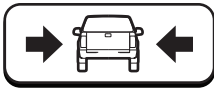
! FORD XLT / RAPTOR - DOUBLE CAB

T40 13 mm 25 Nm



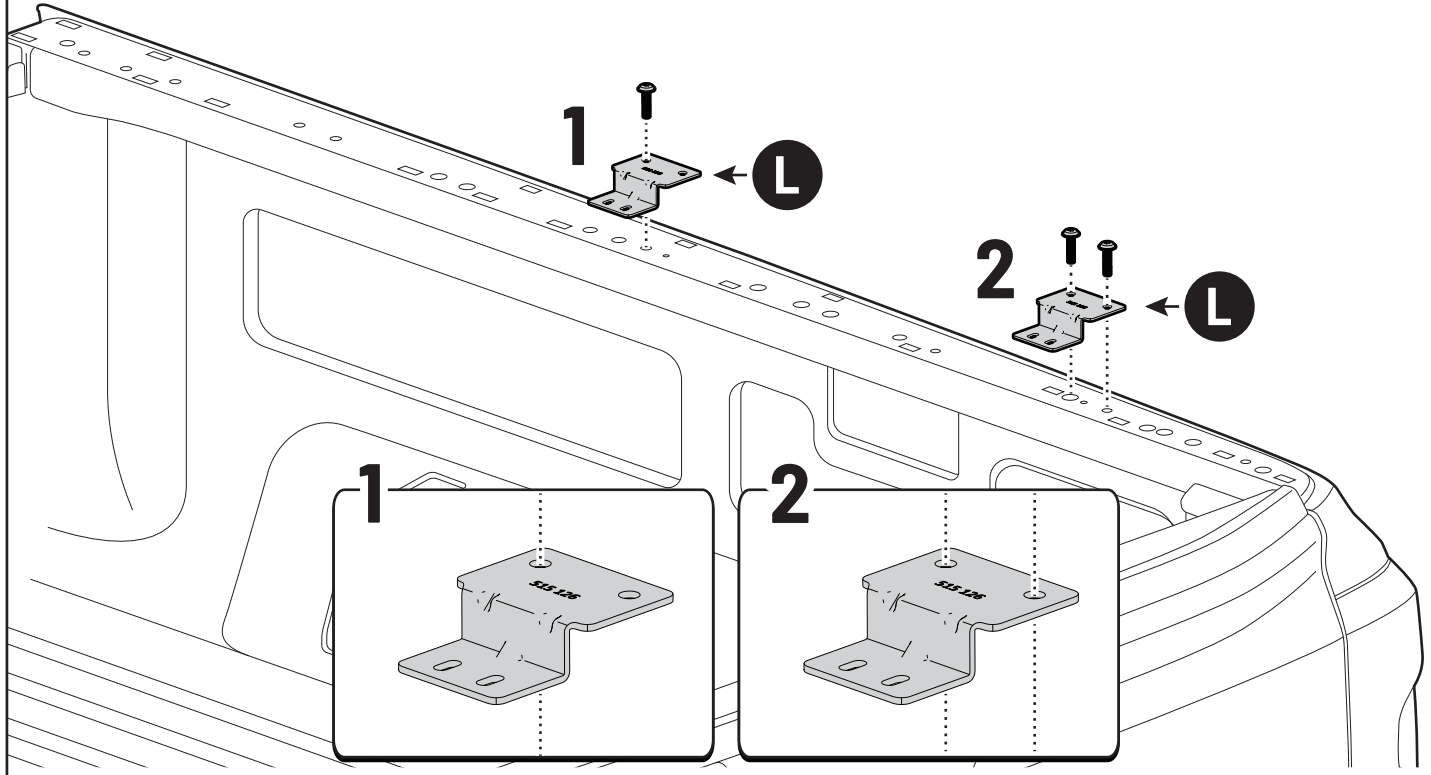
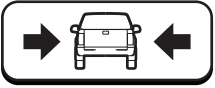
! FORD WILDTRAK - DOUBLE CAB

T40 13 mm 25 Nm



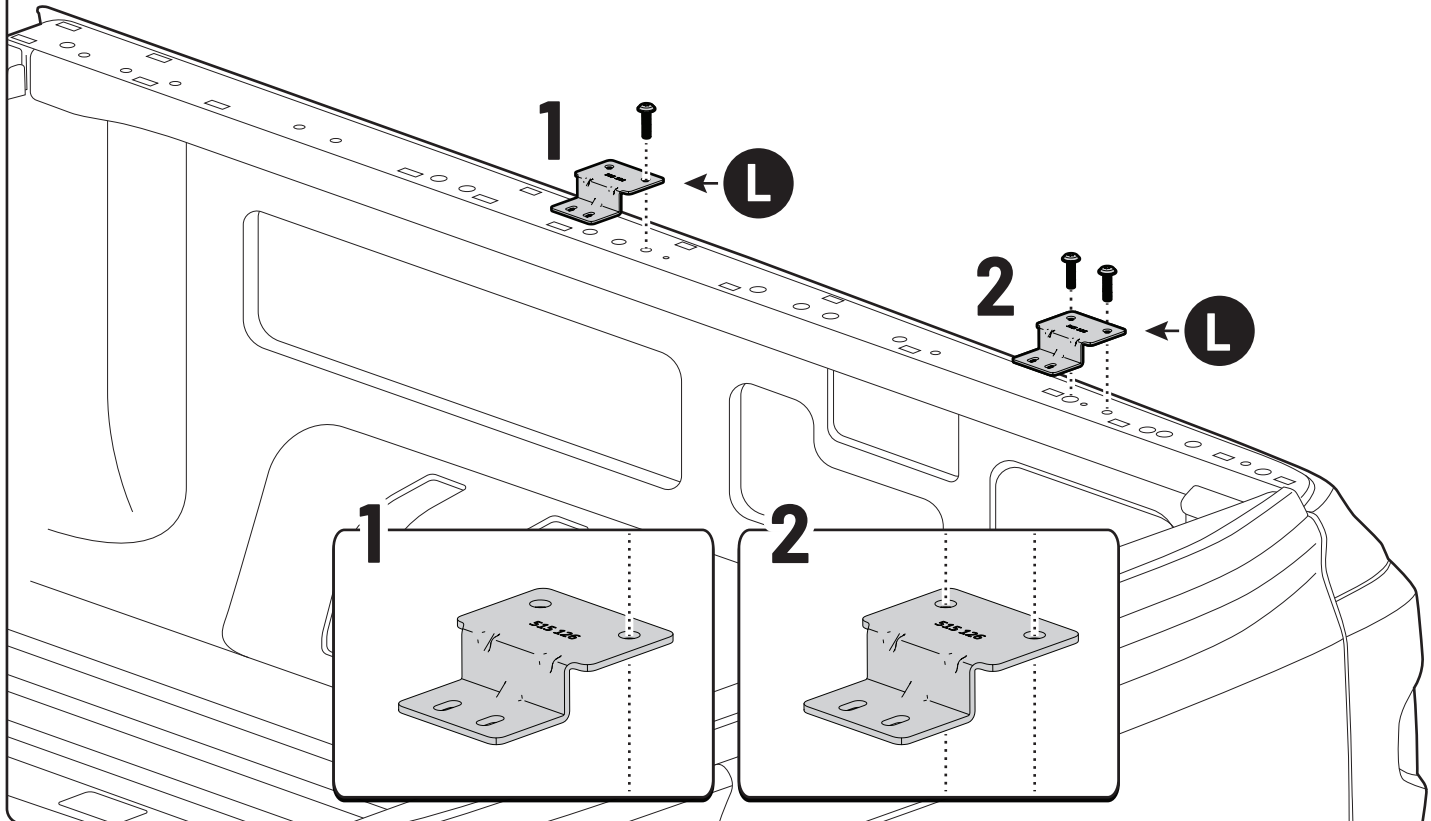
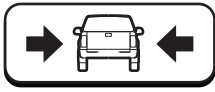
! WITH SPORTS BAR ACCESSORY - RAP CAB

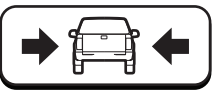
T40 13 mm 25 Nm



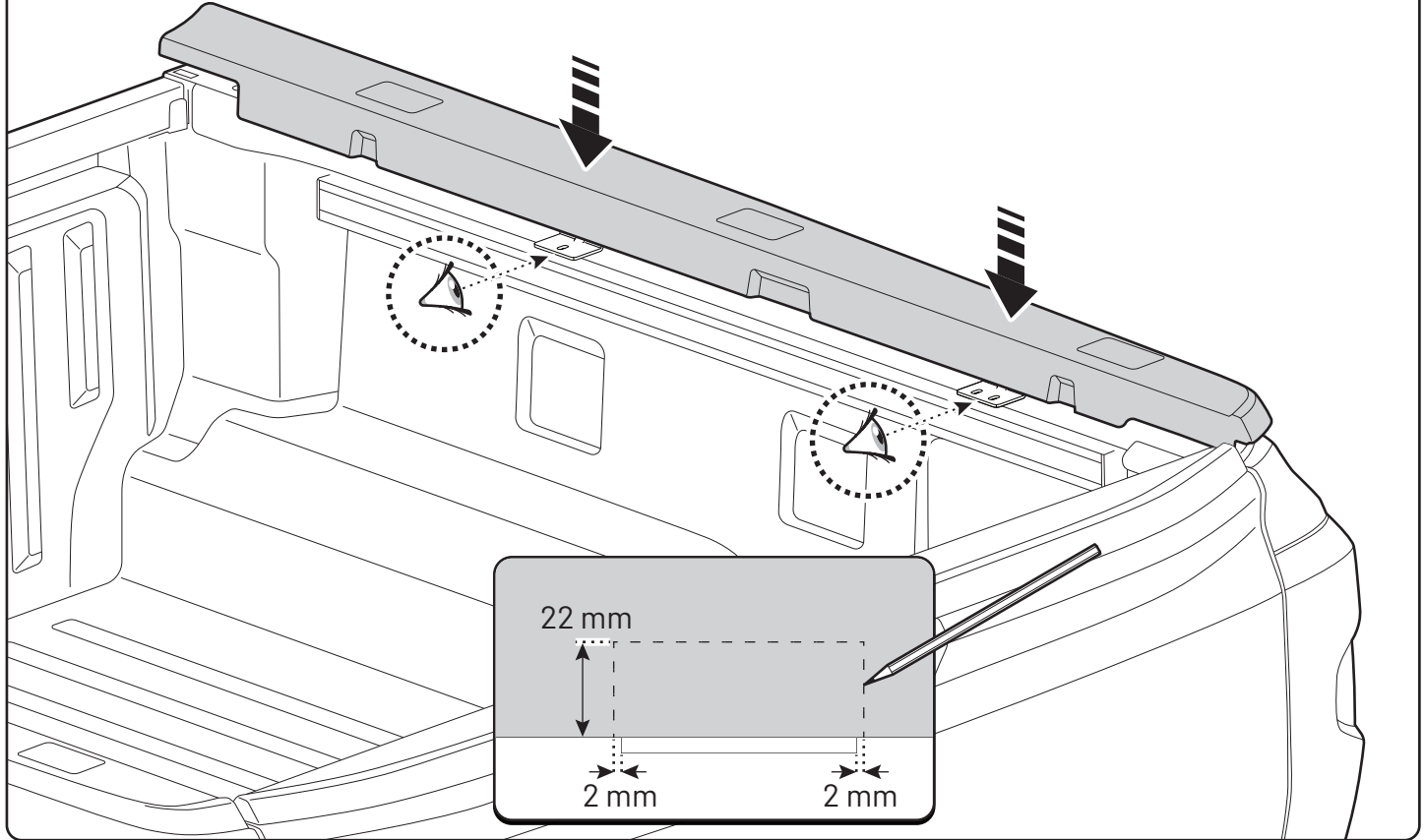
! WITHOUT SPORTS BAR ACCESSORY - RAP CAB

T40 13 mm 25 Nm

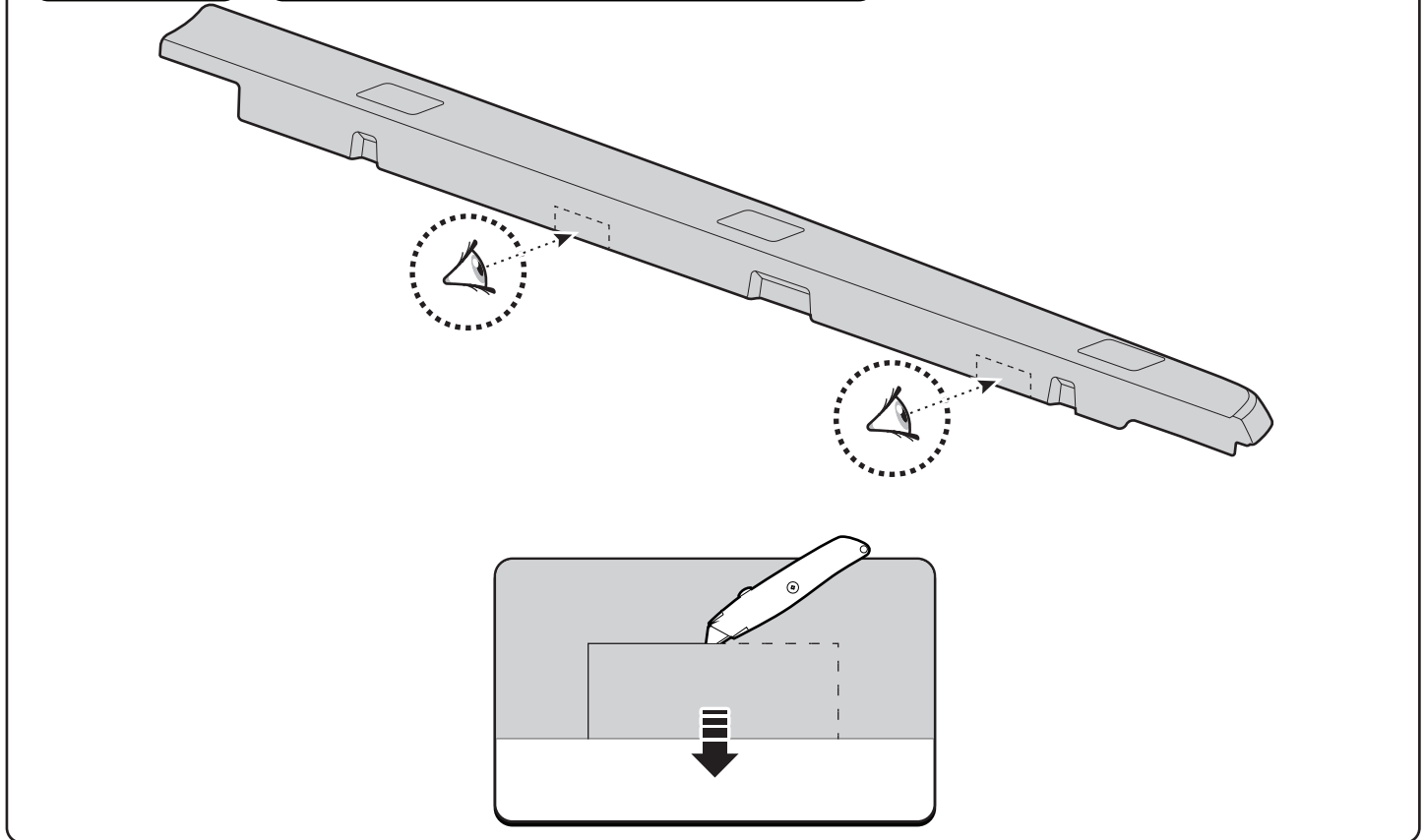


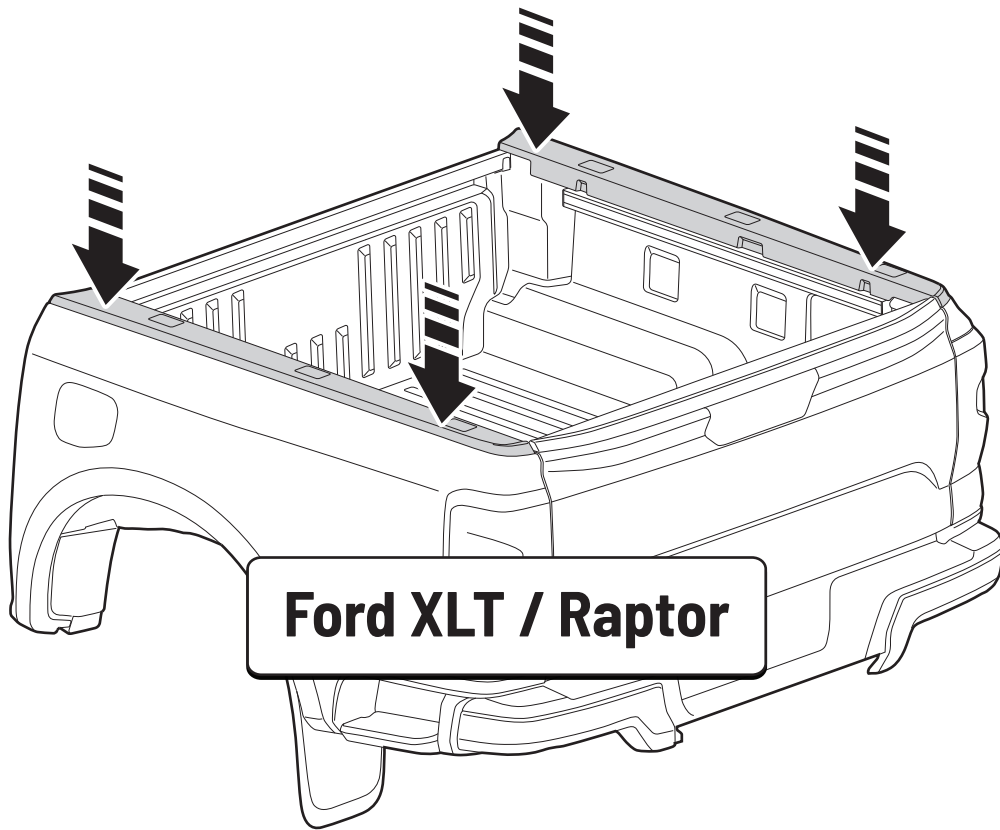


! ONLY FOR FORD RANGER XLT / RAPTOR

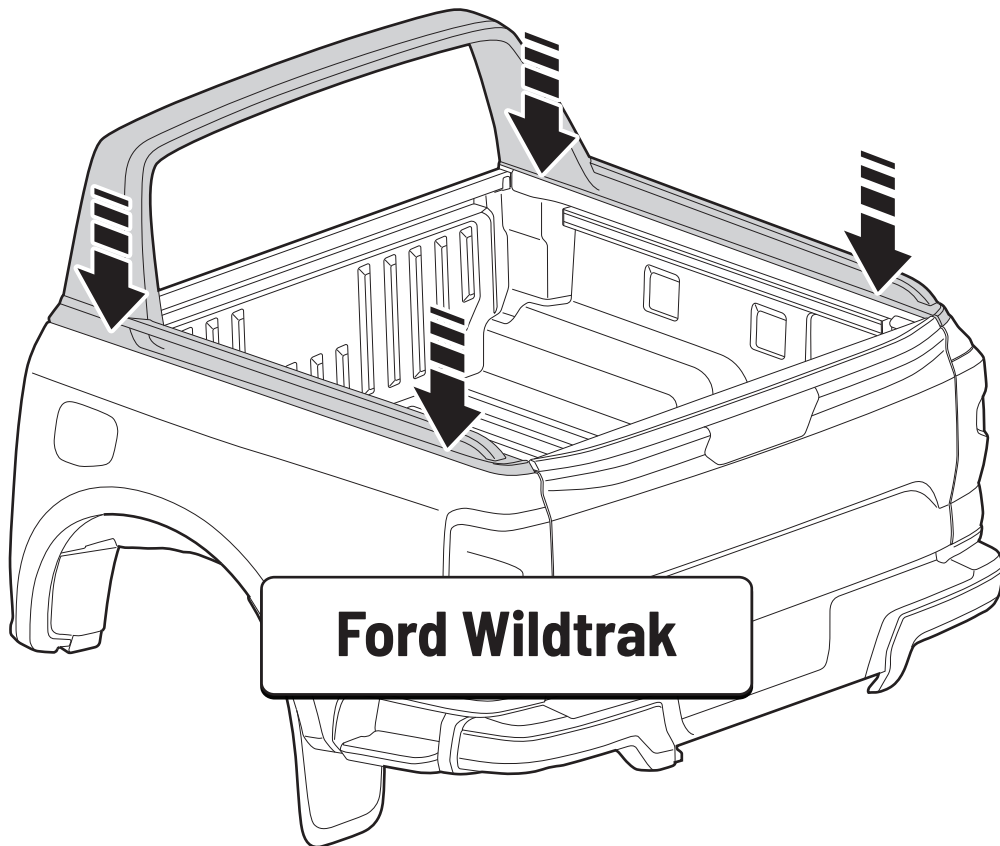


! ONLY FOR FORD RANGER XLT / RAPTOR

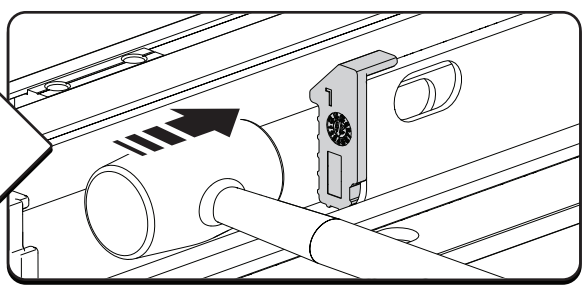
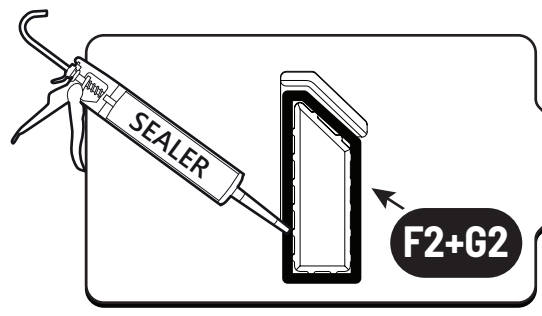
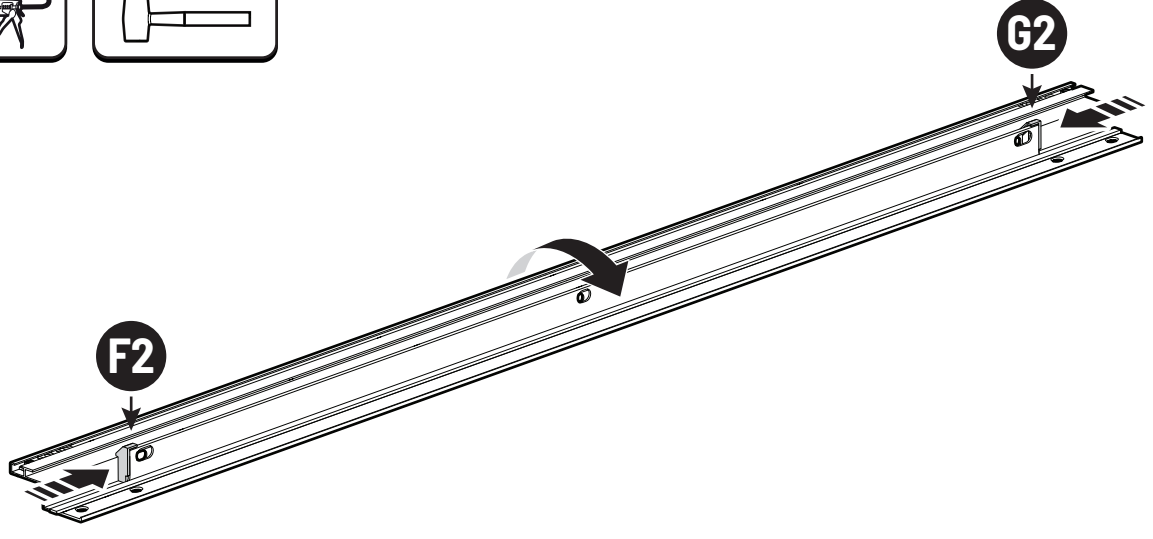
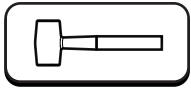
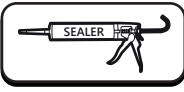
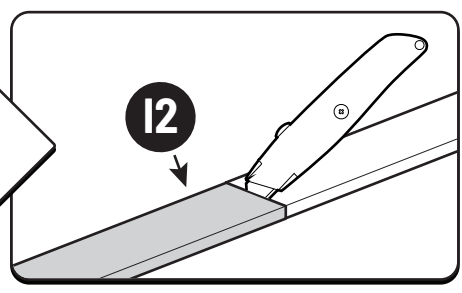
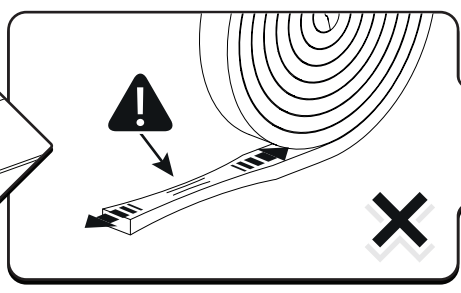
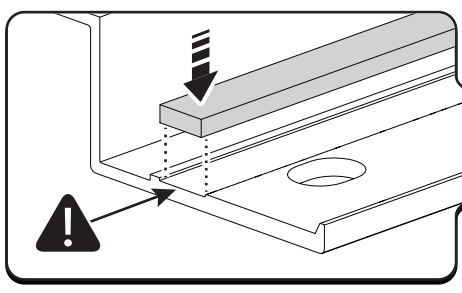
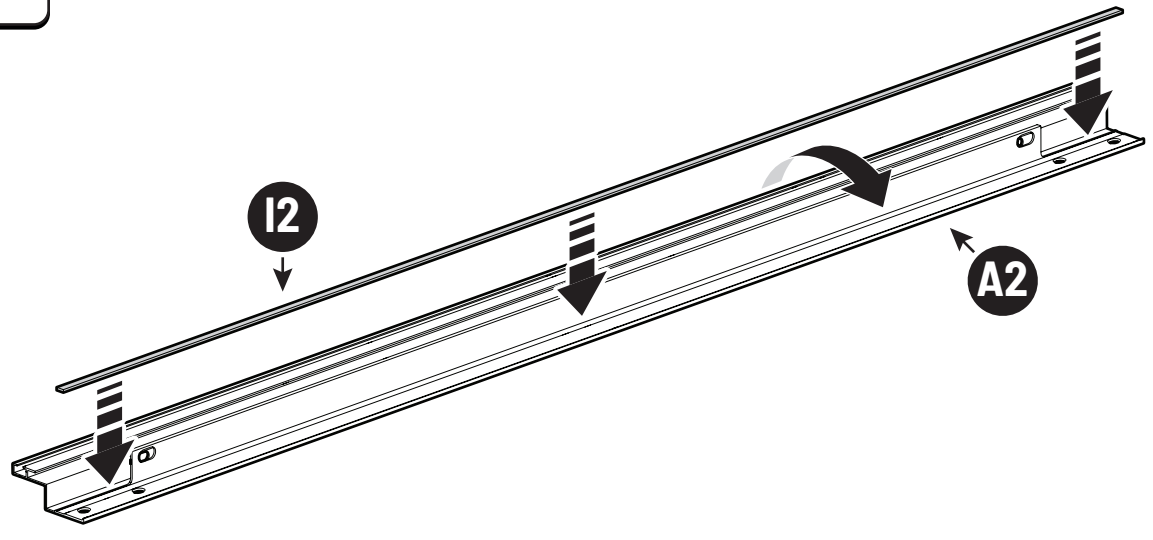
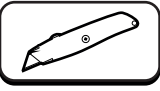


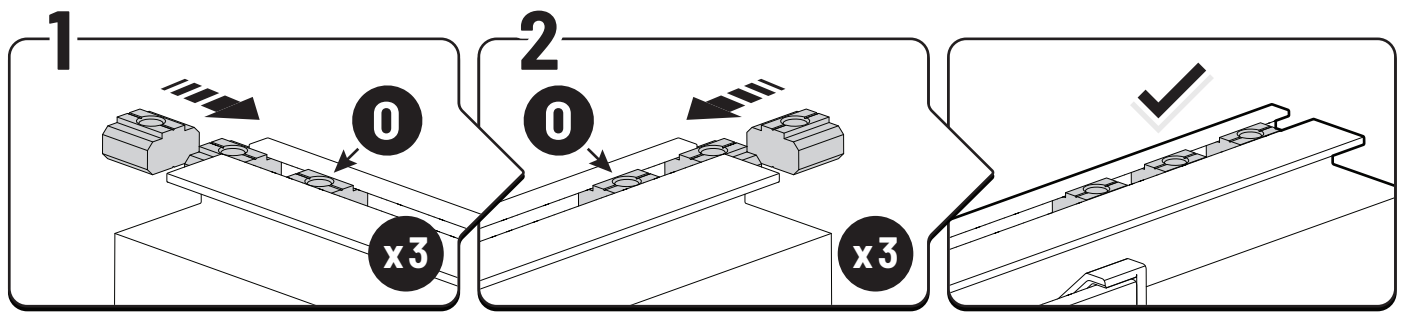
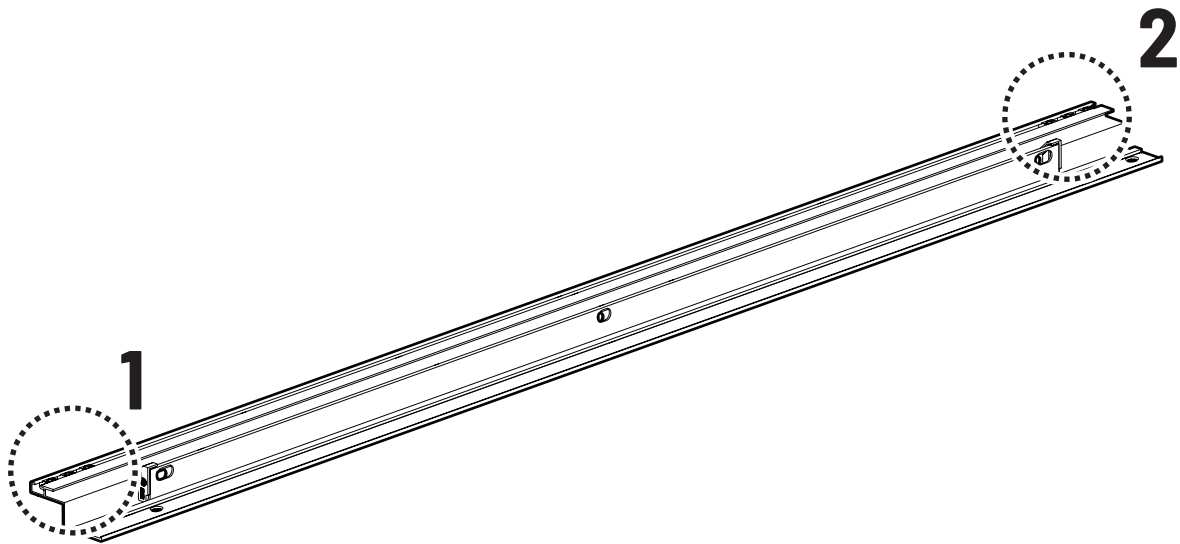


Ford XLT / Raptor

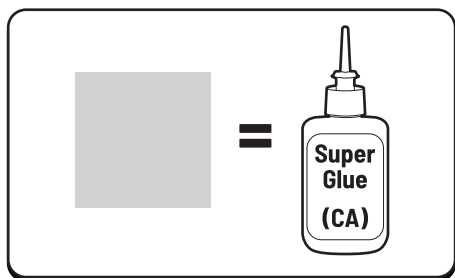
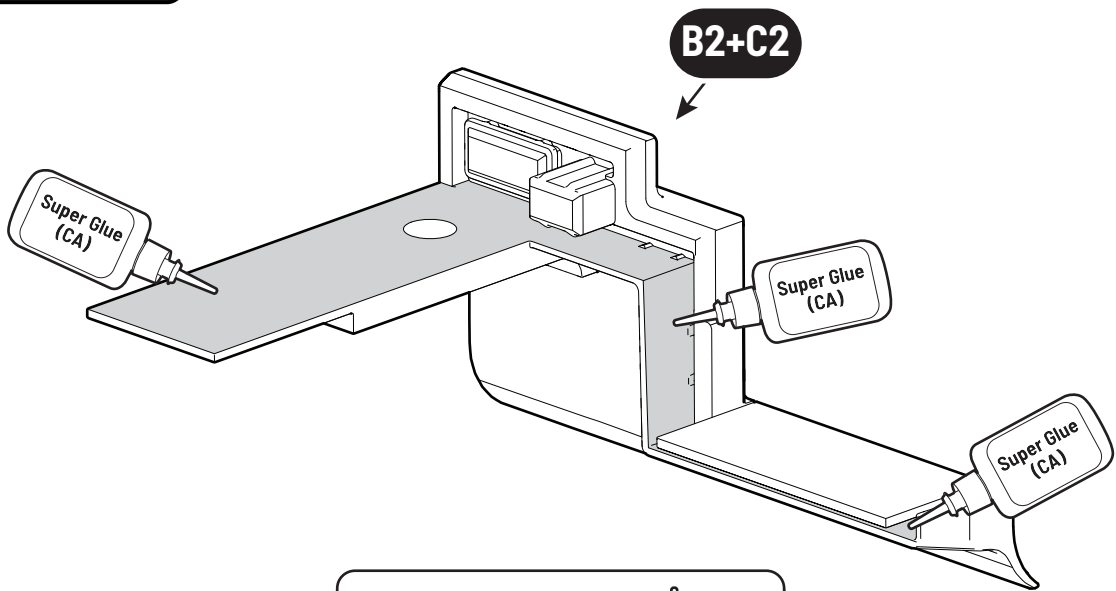


Ford Wildtrak





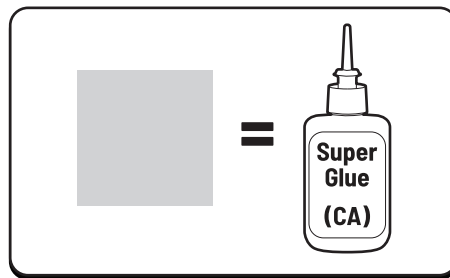
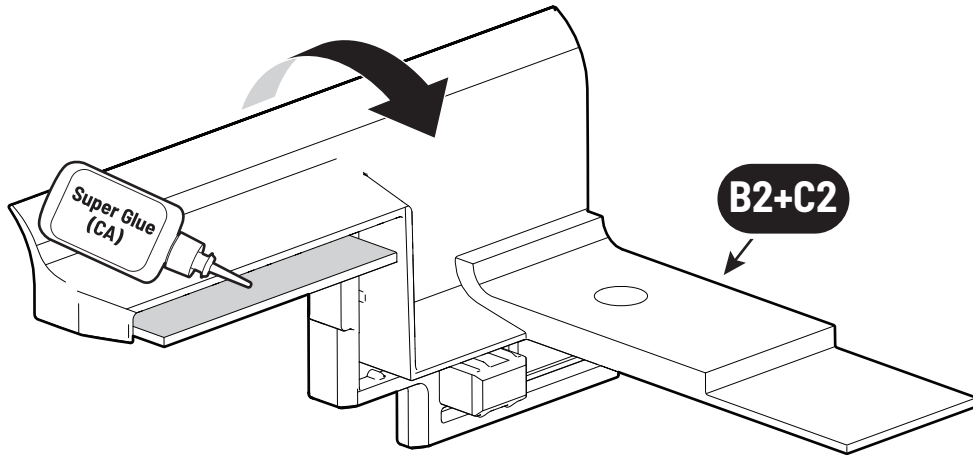
 **Super Glue (CA)**



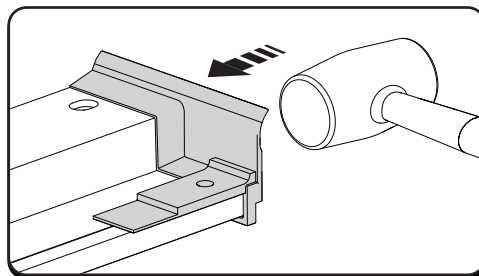
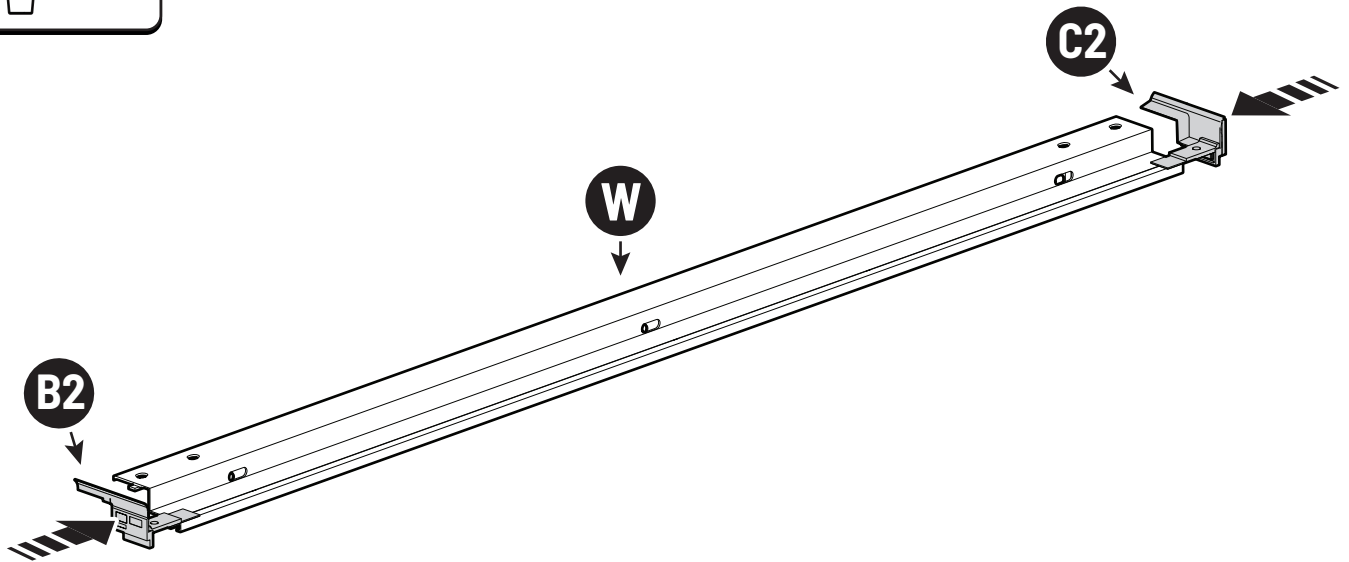


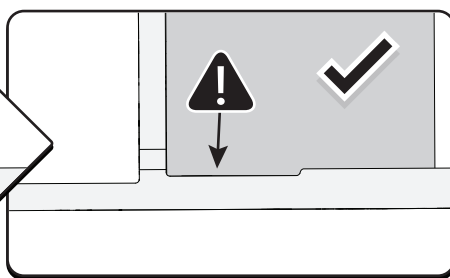
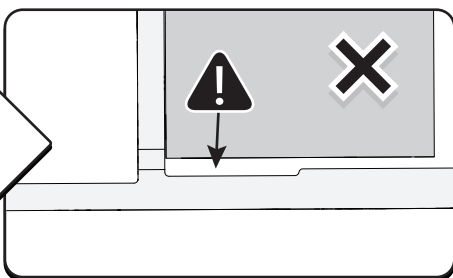
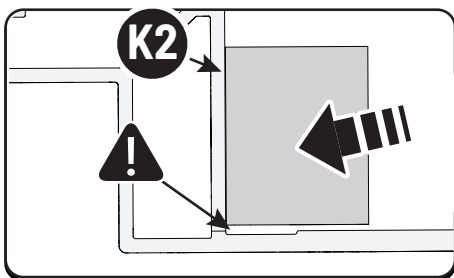
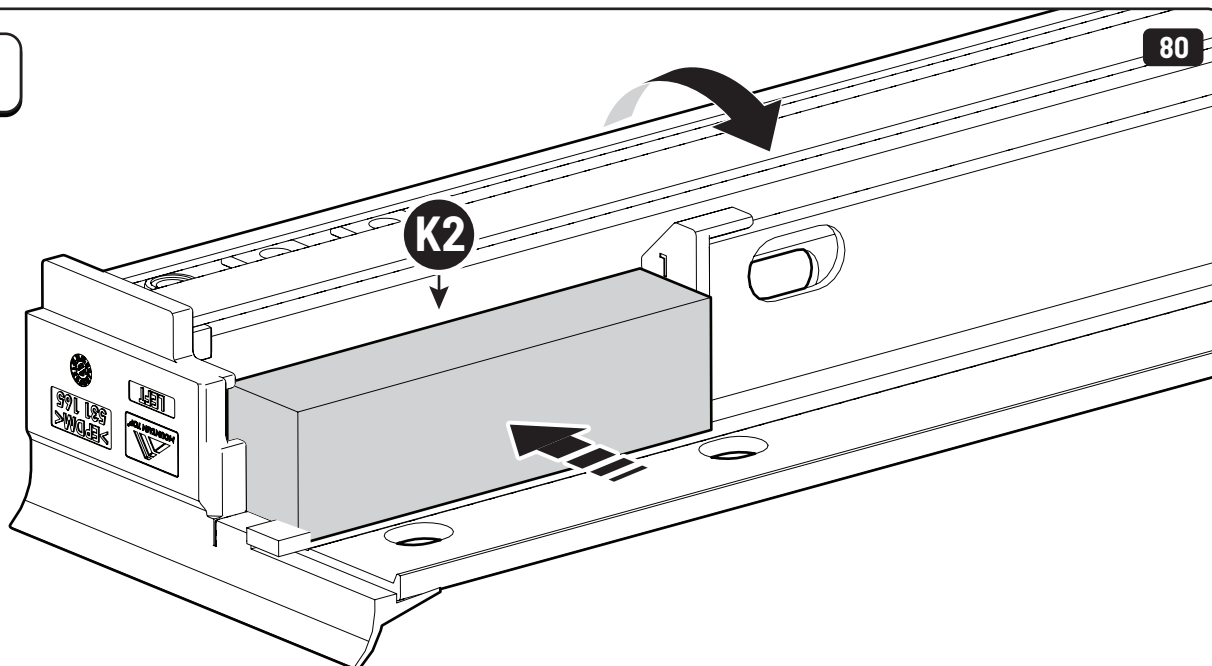
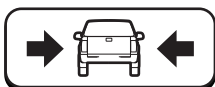
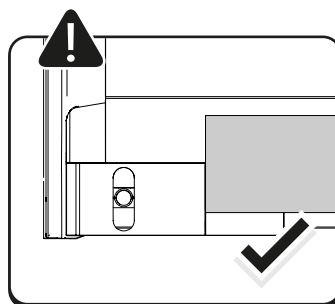
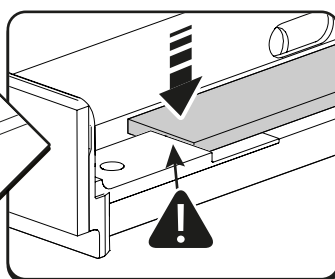
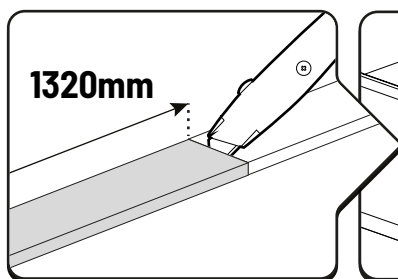
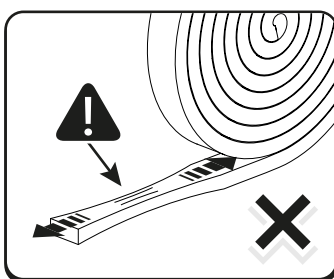
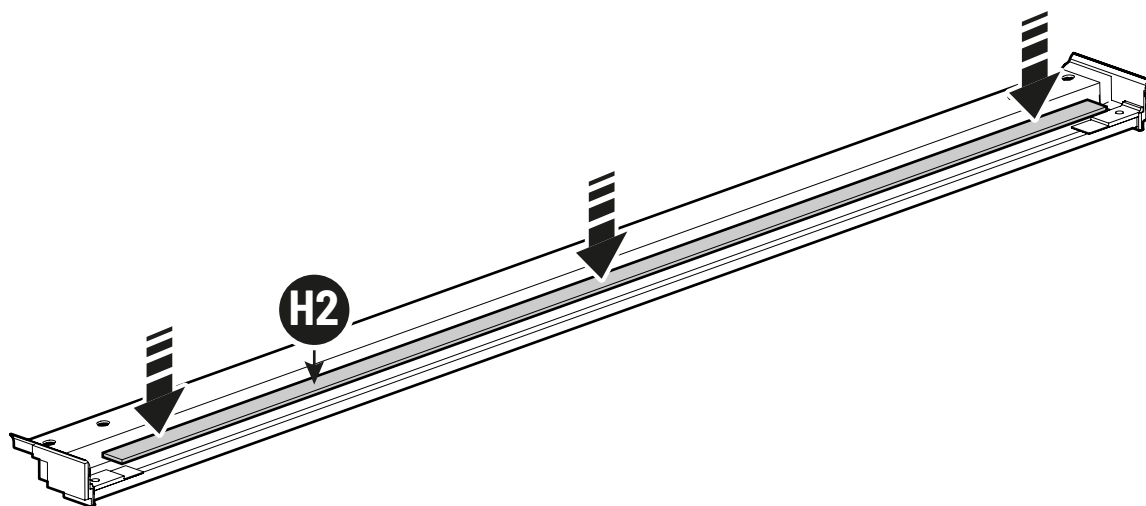
Super Glue (CA)

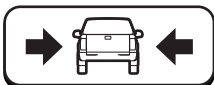
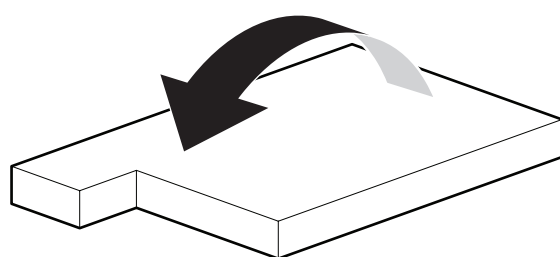
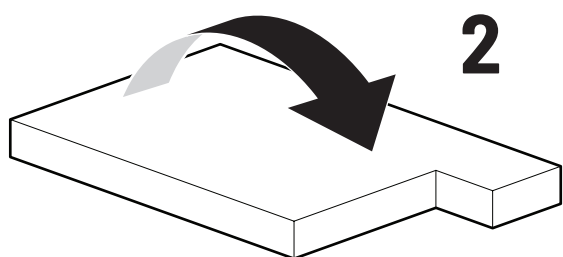
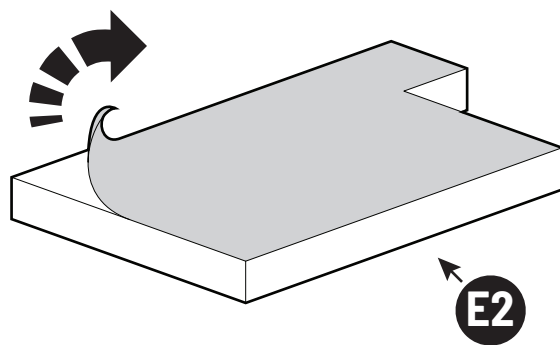
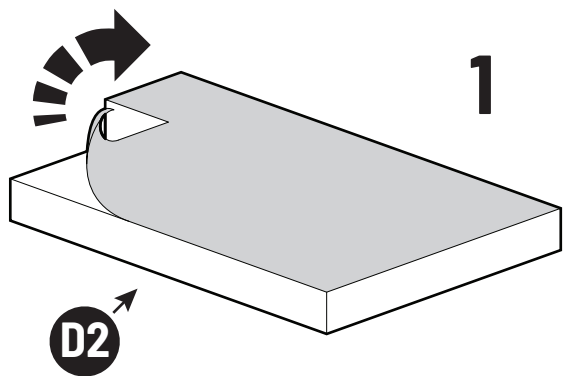
77



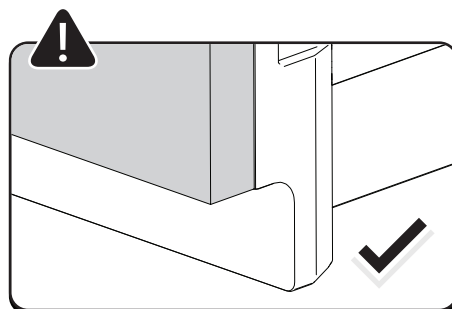
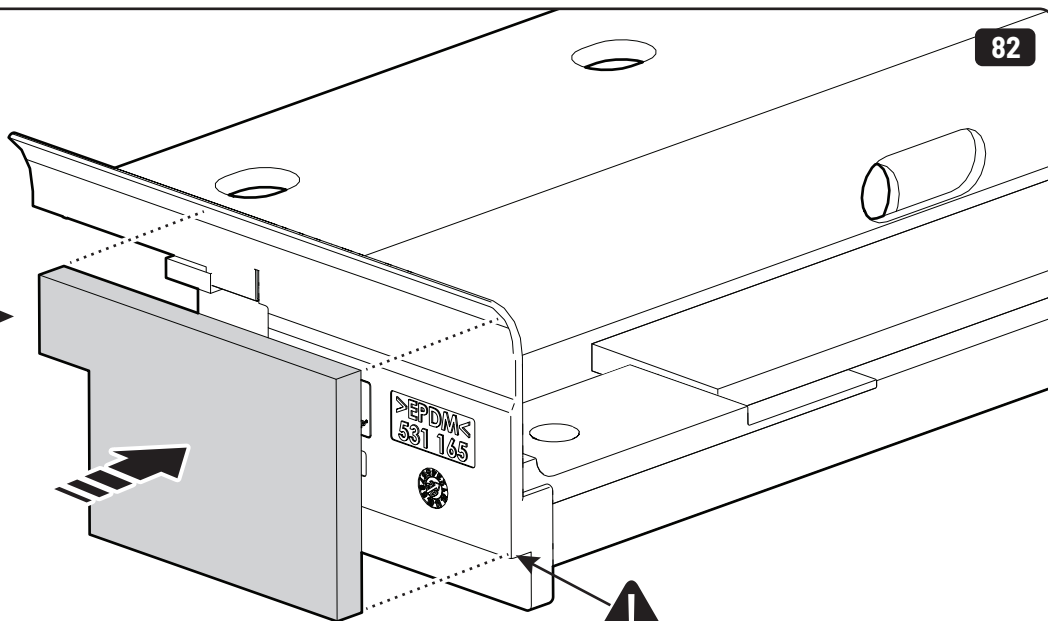
78

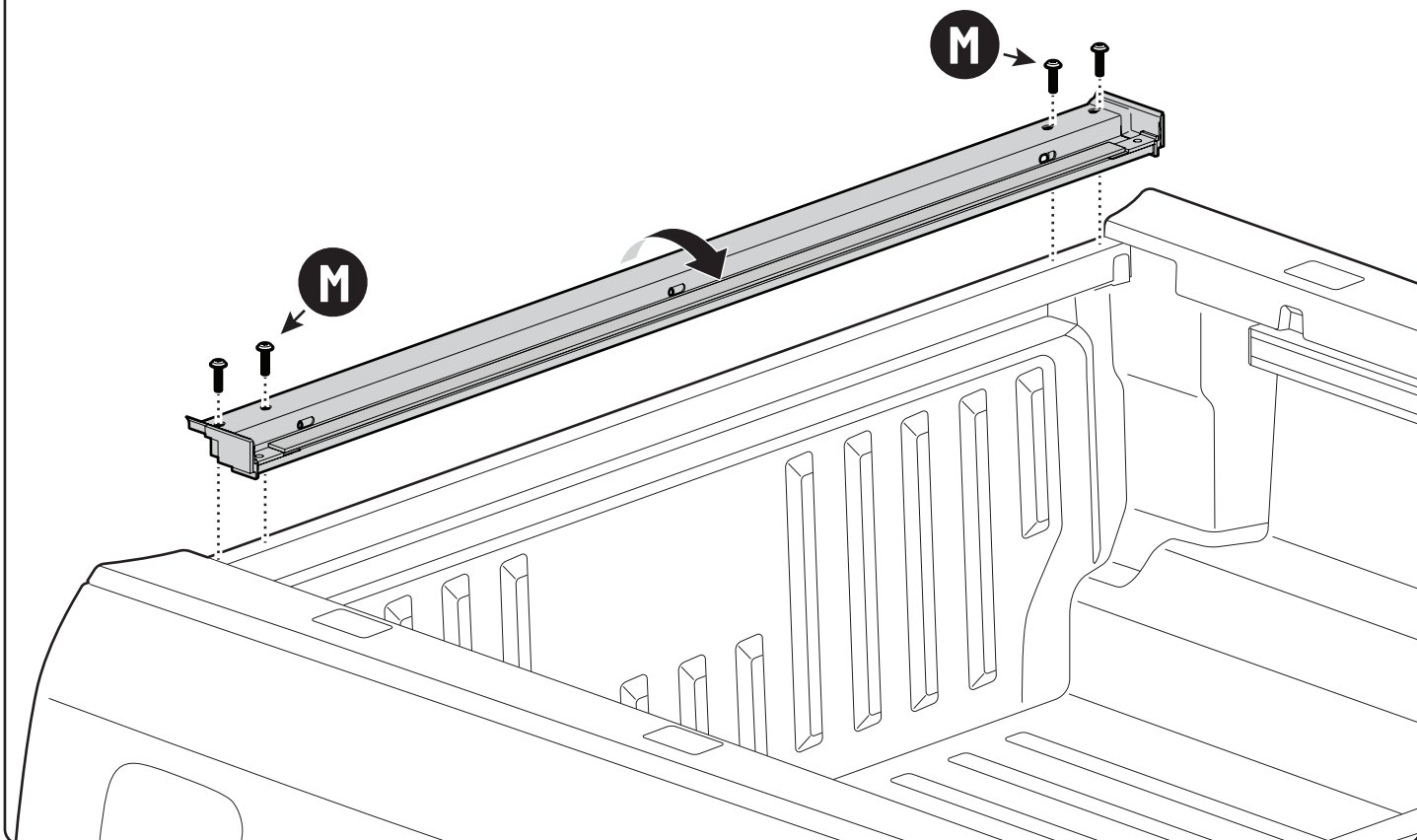
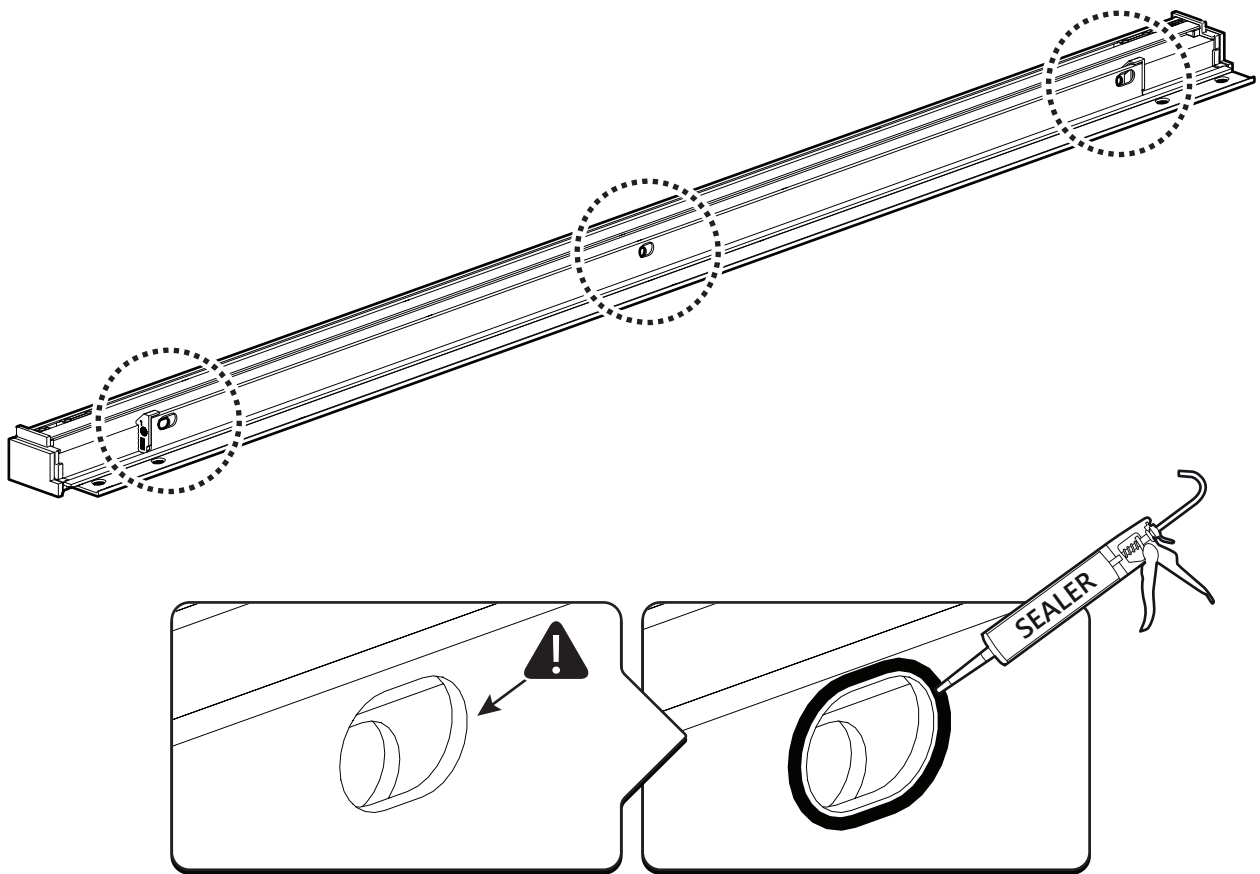


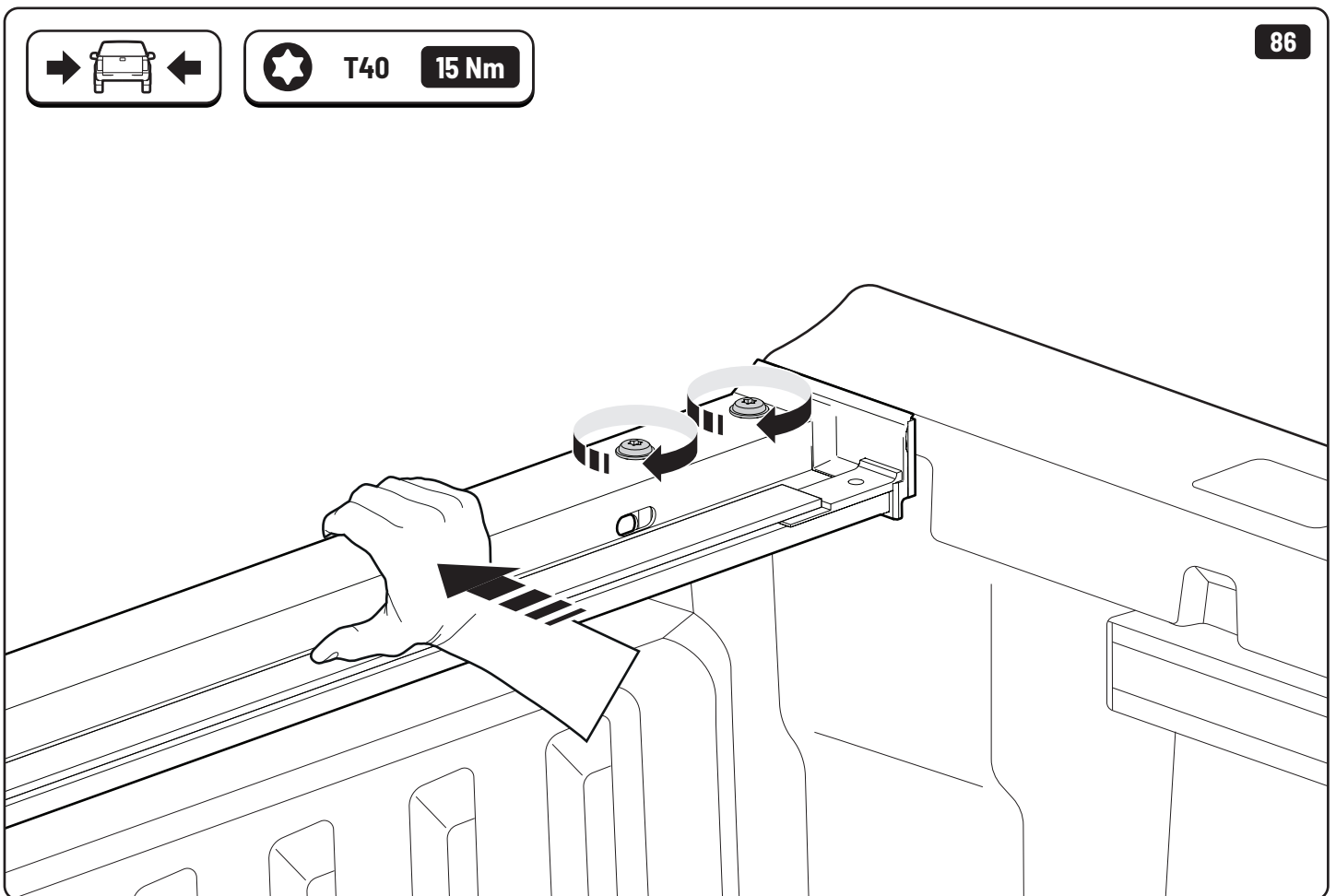
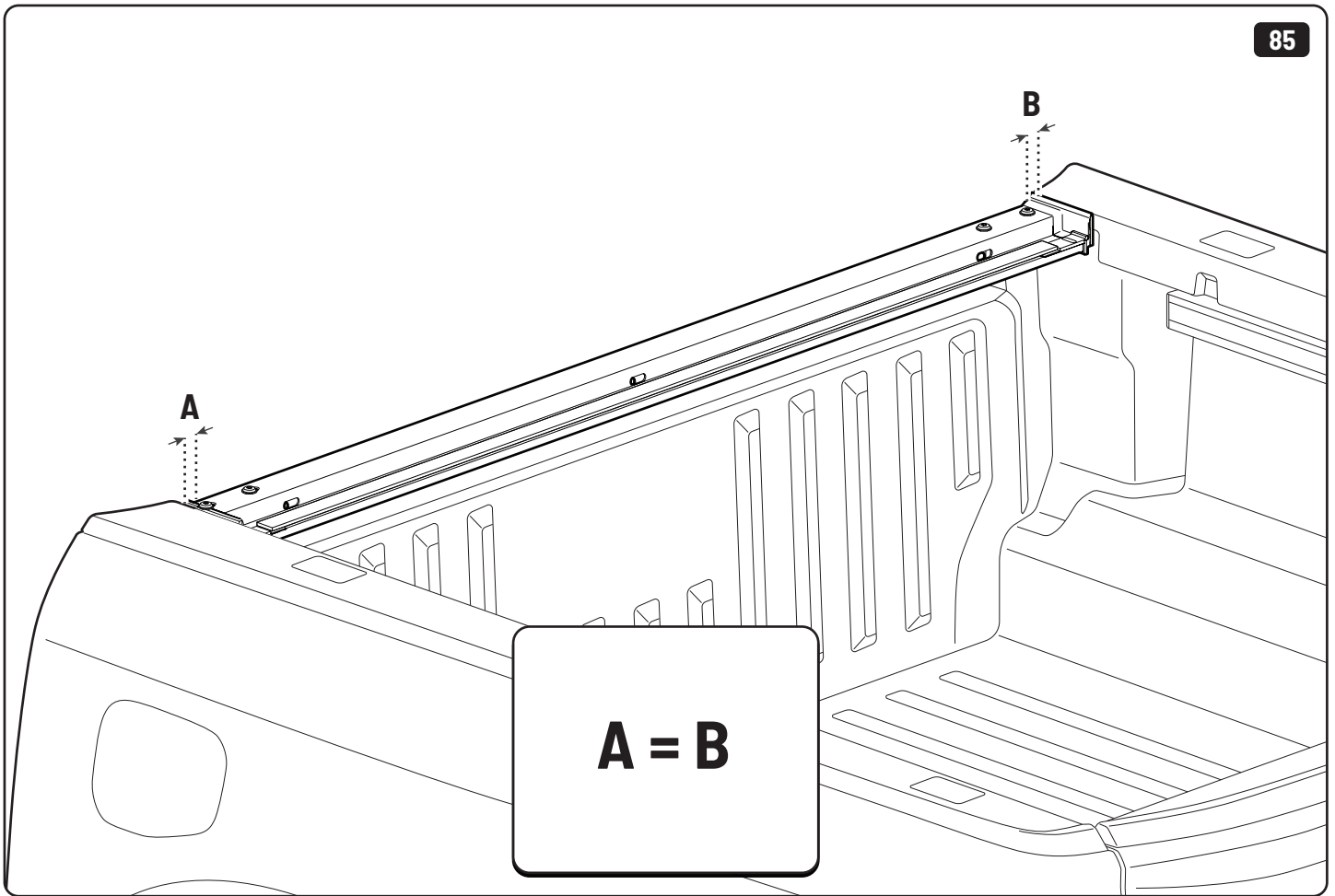


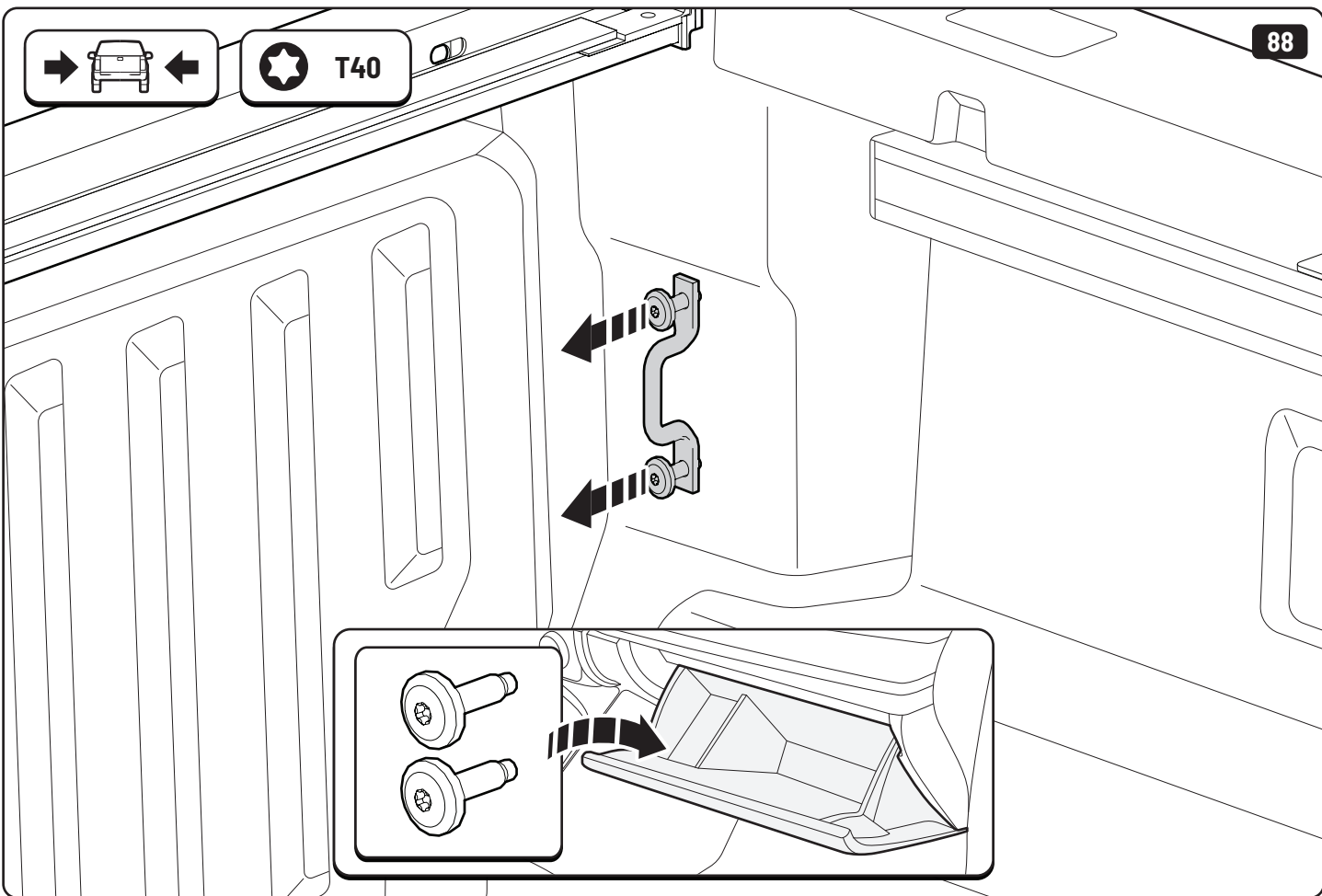
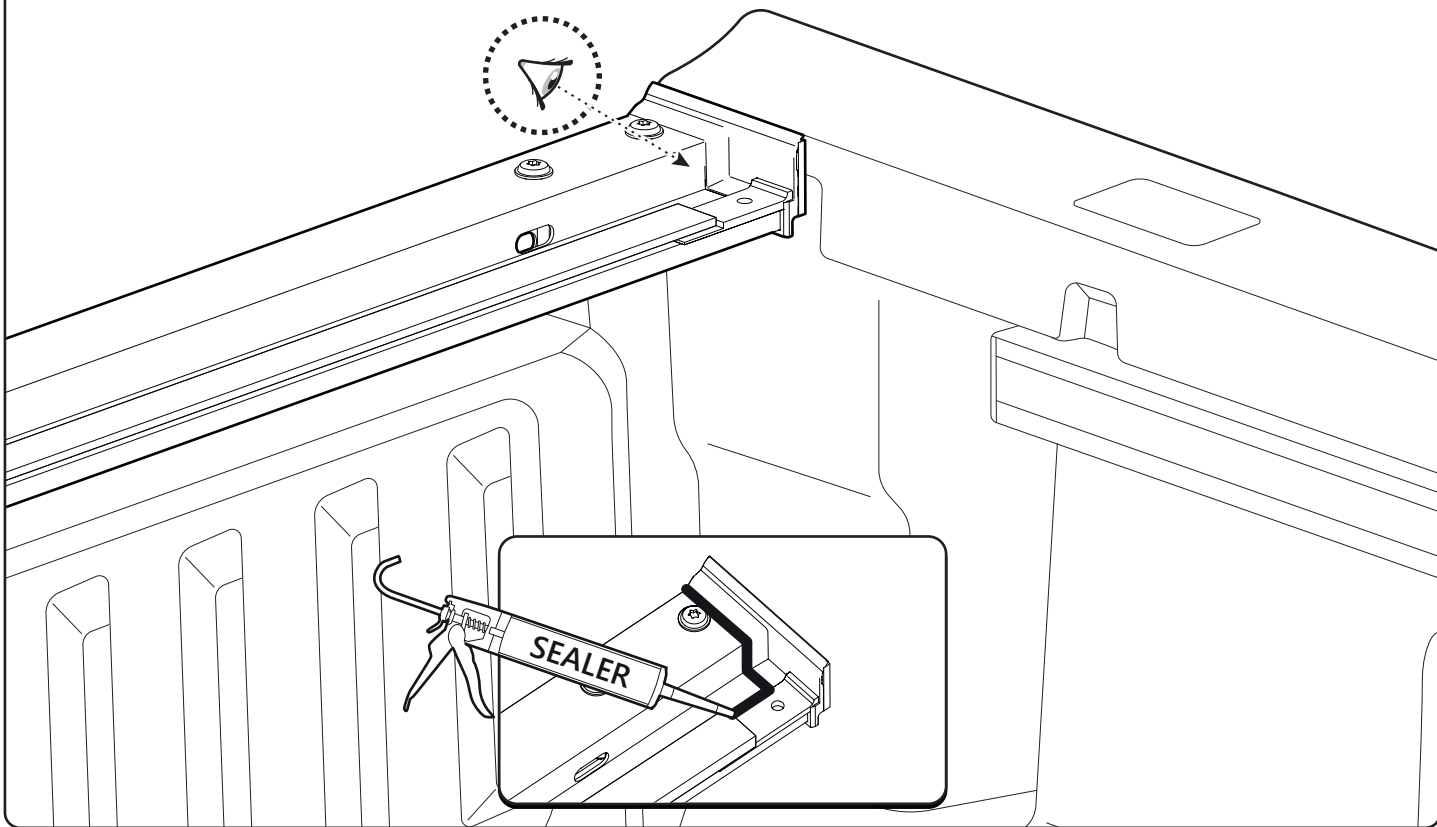


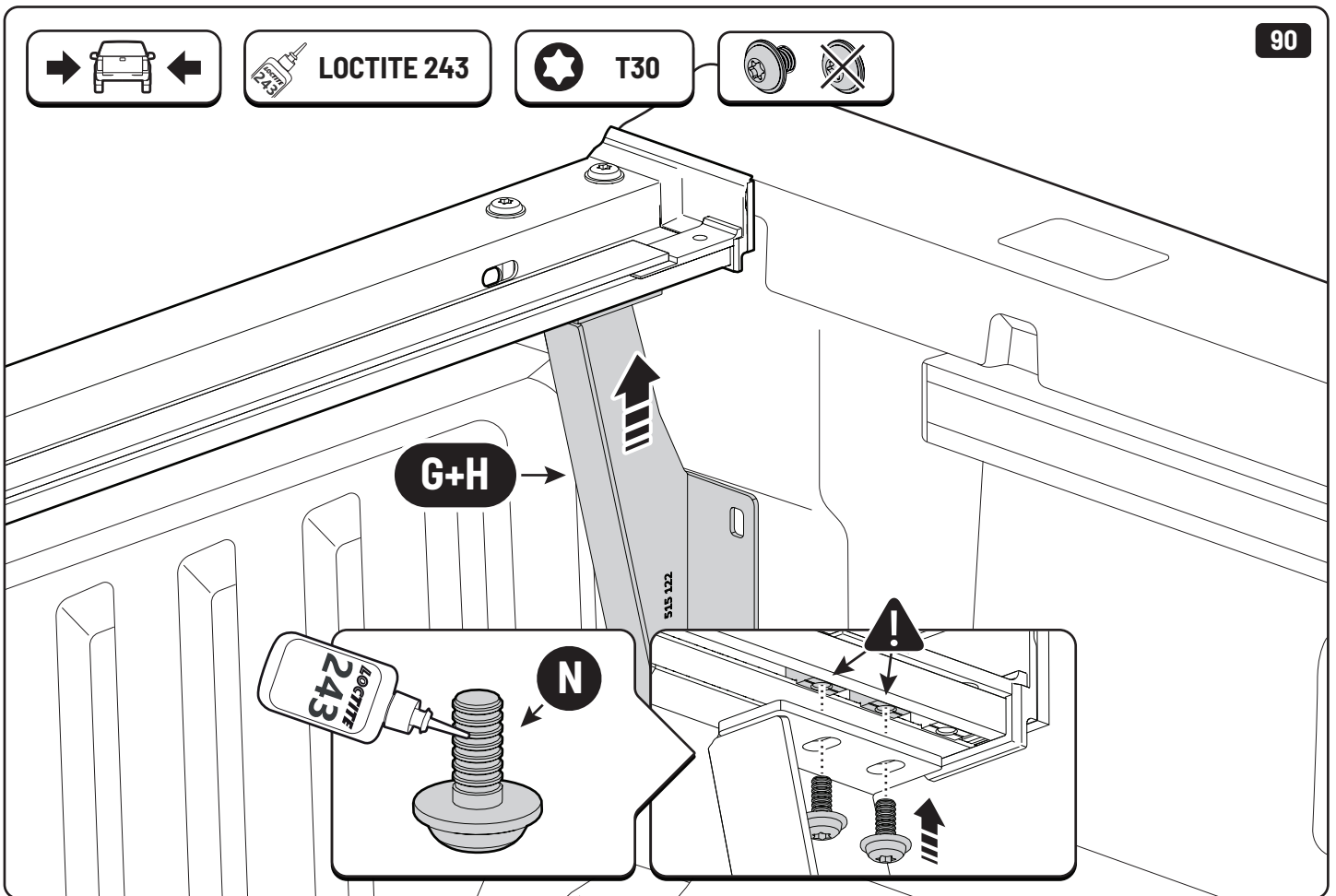
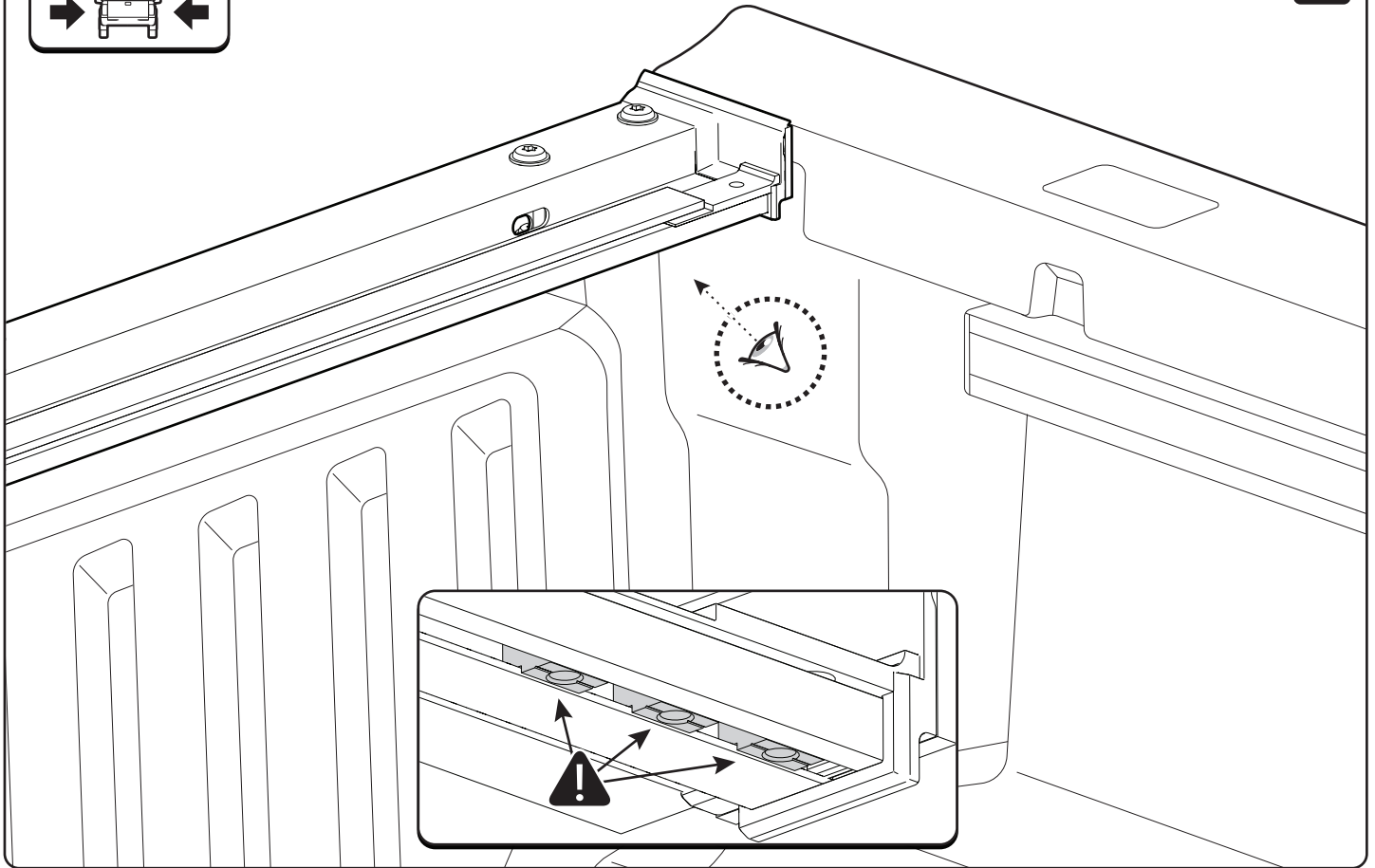
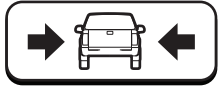
D2+E2

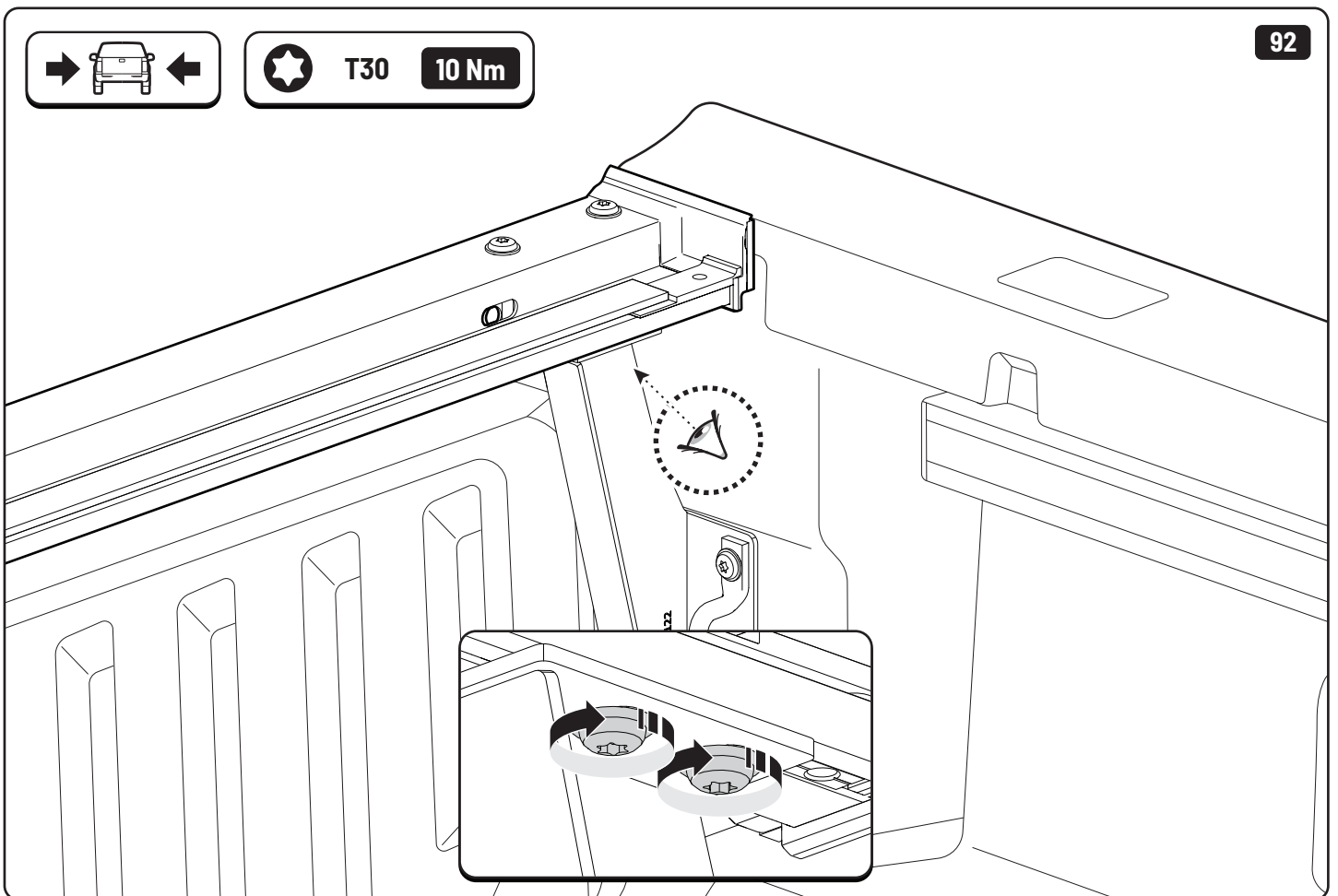
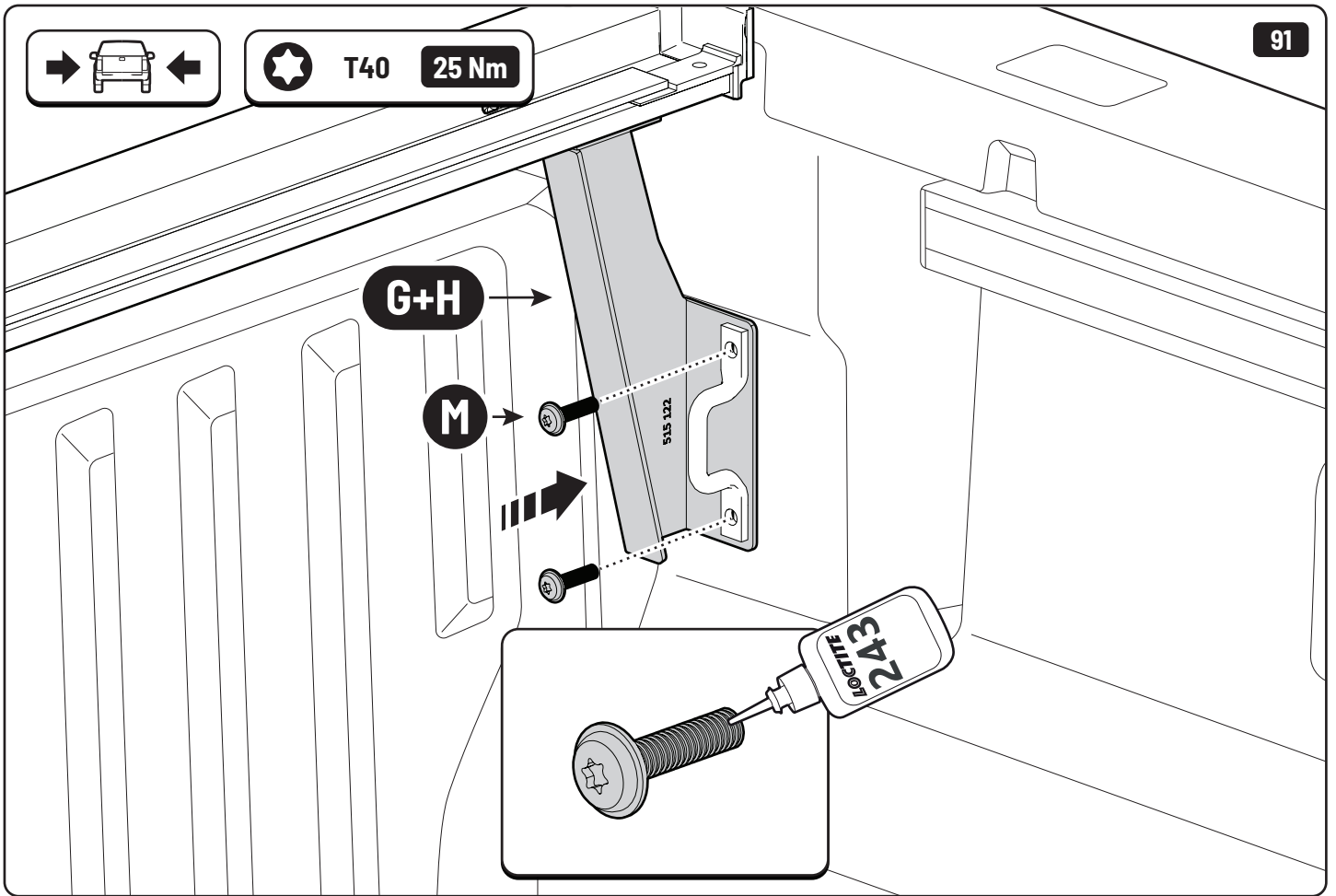


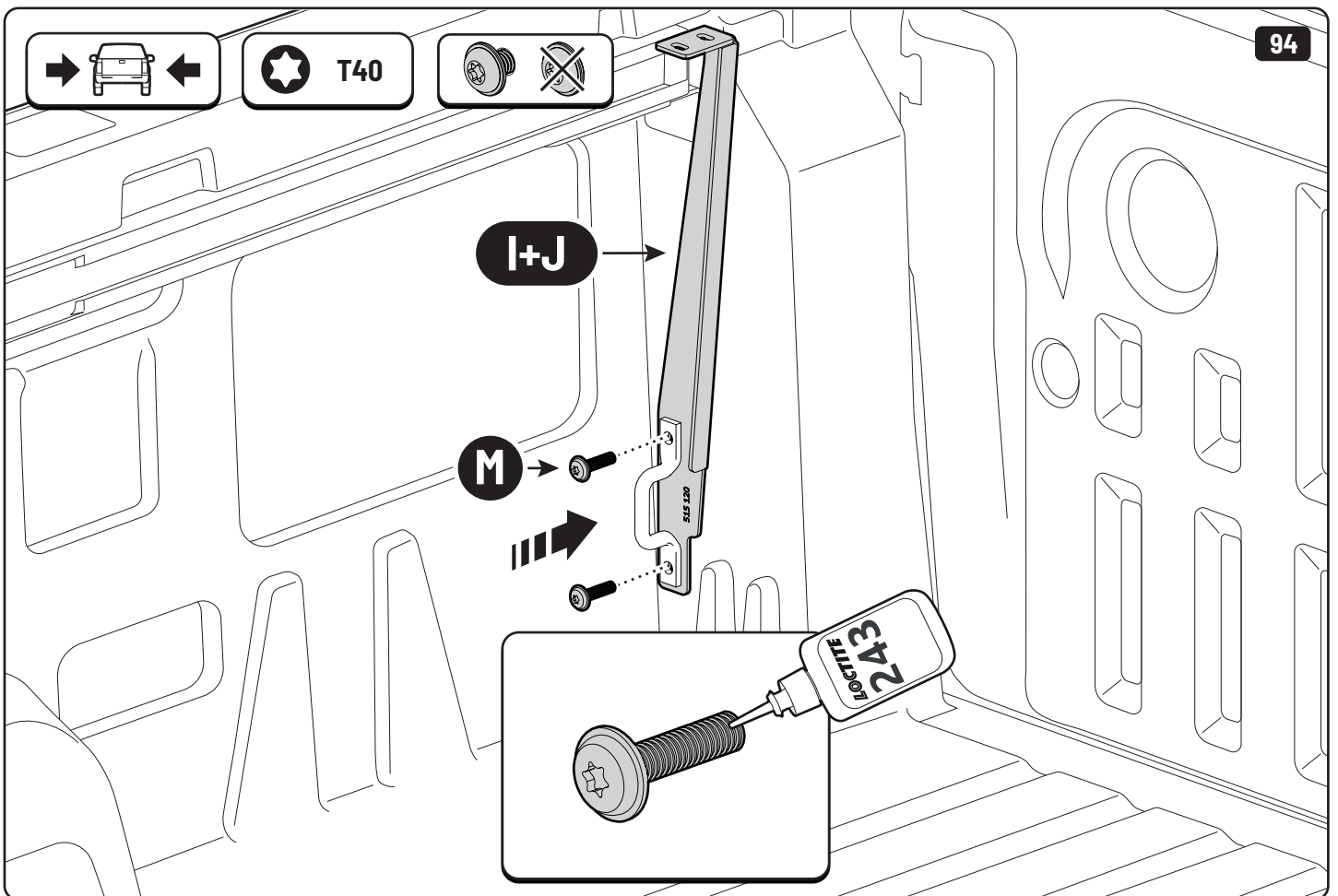
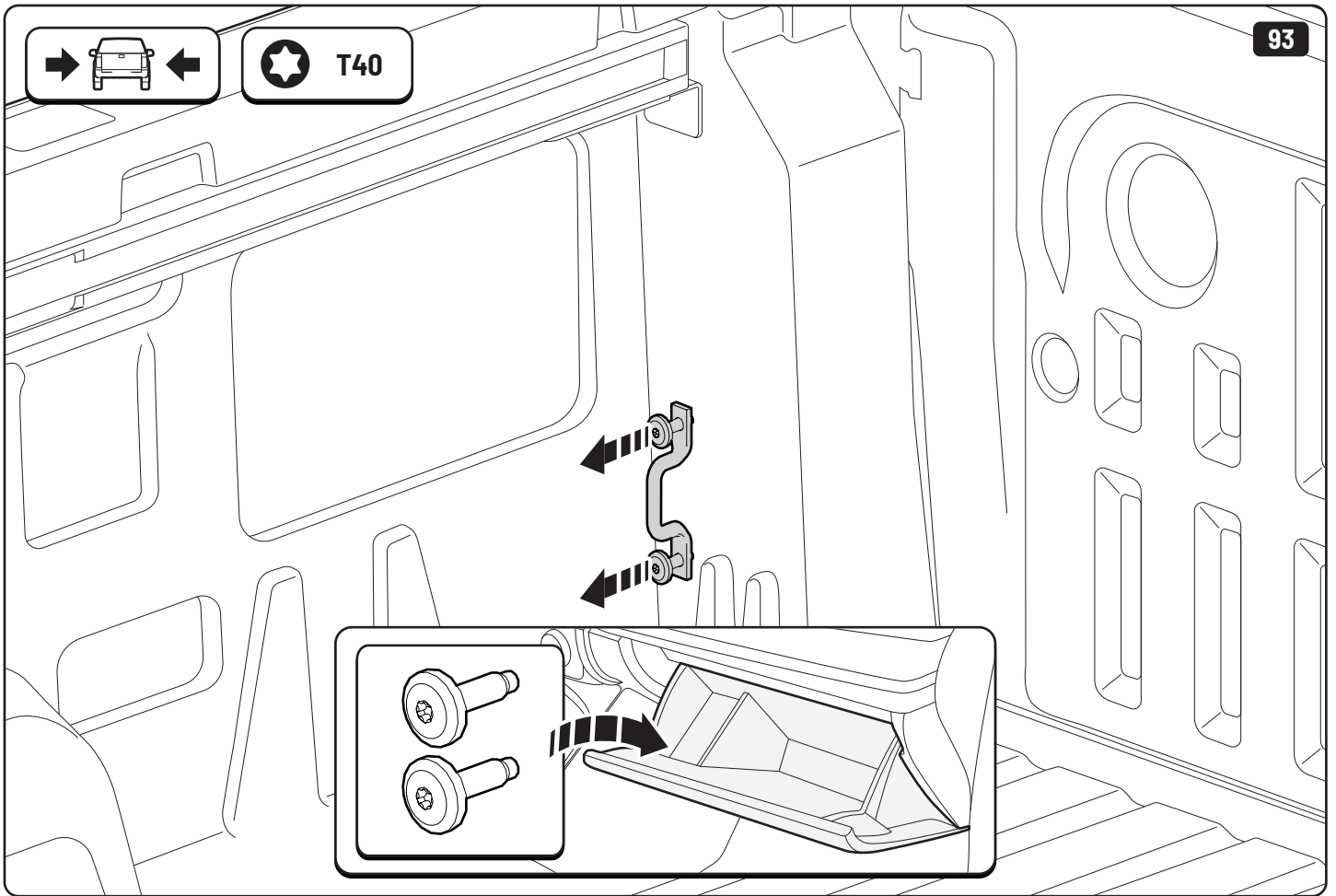


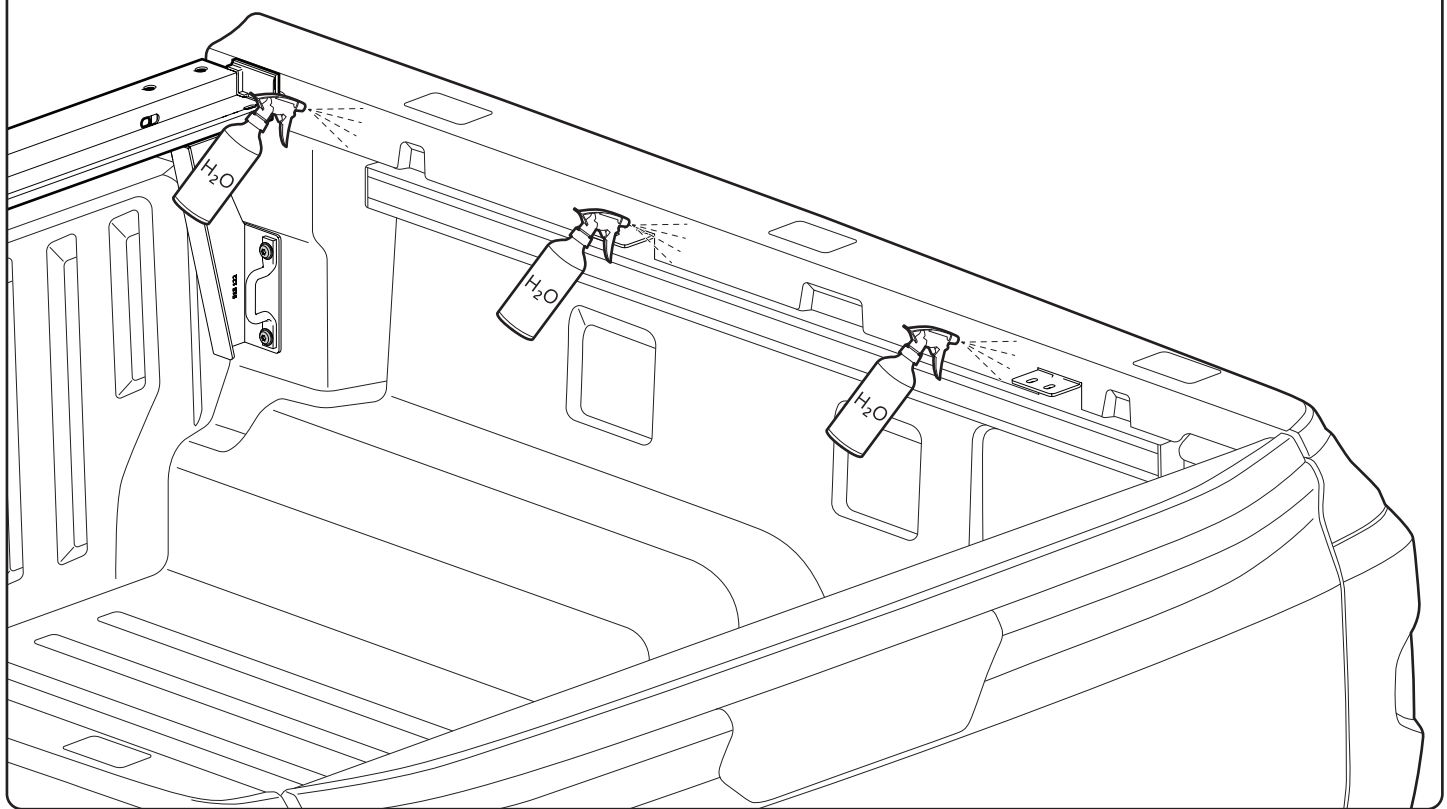






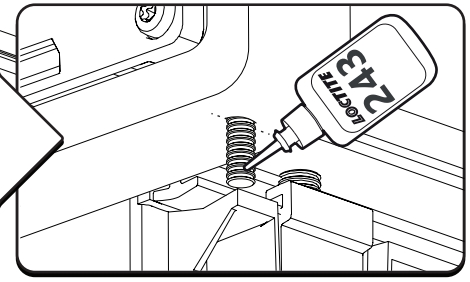
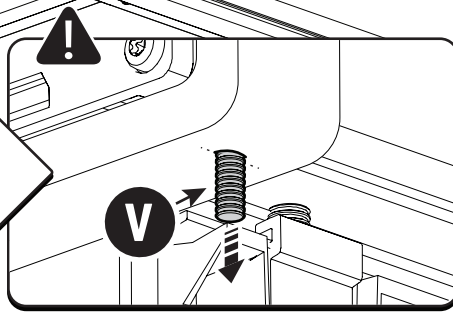
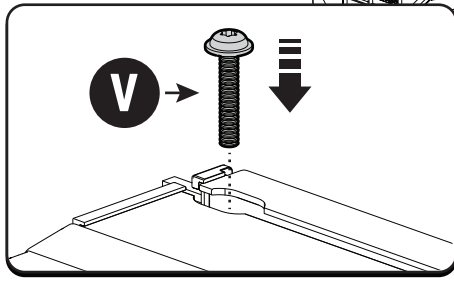
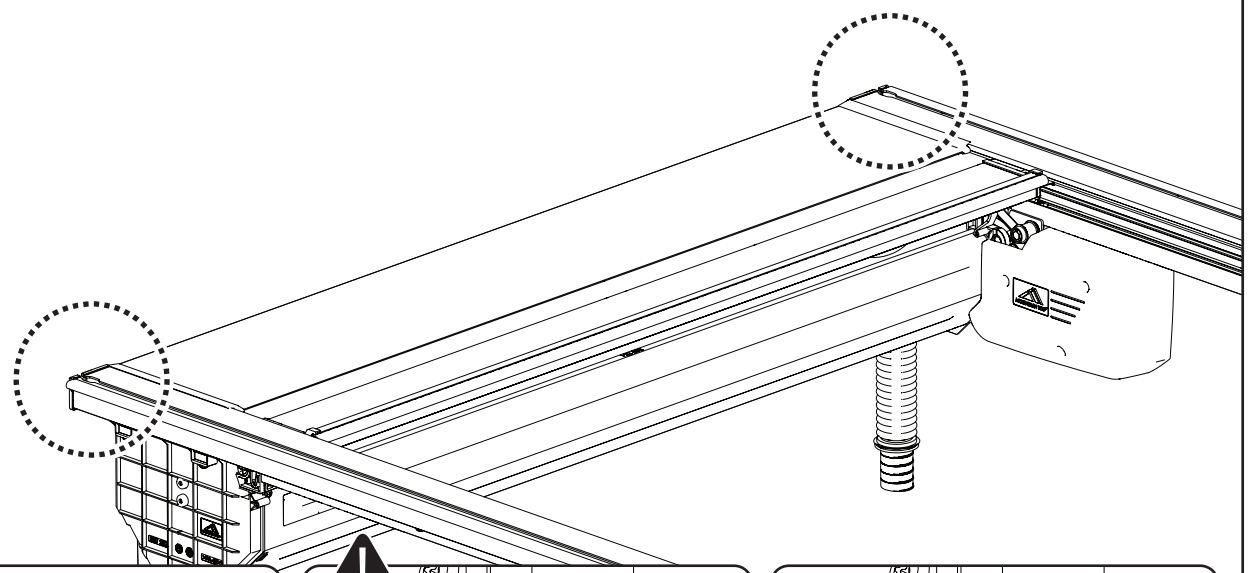
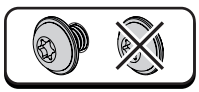






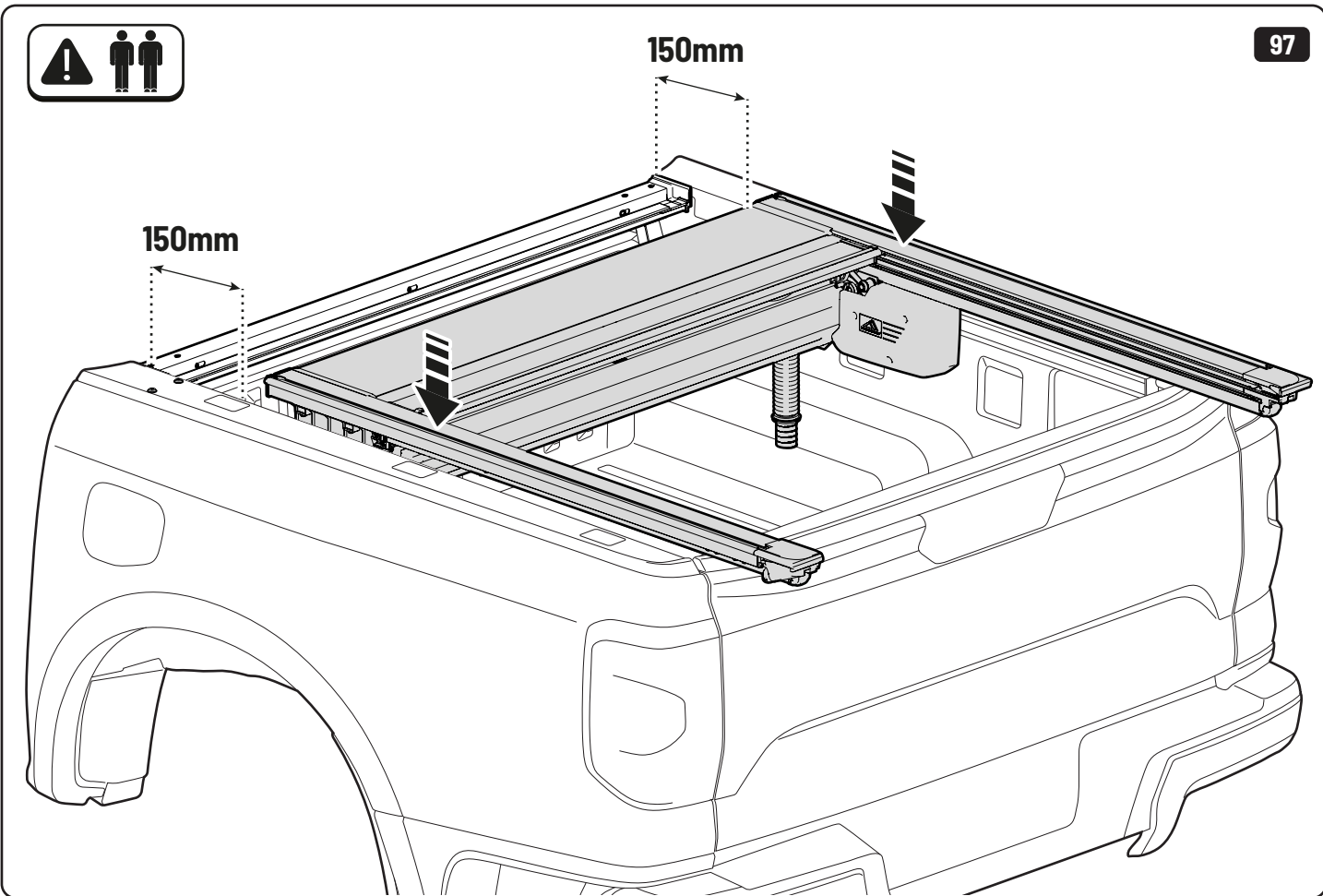
 **LOCTITE 243**

 **T30**

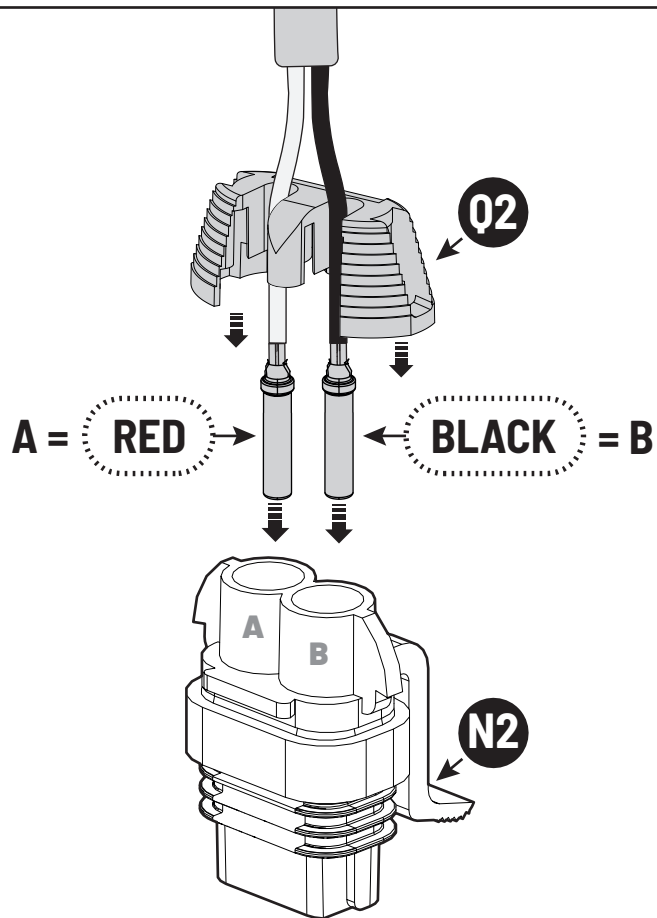


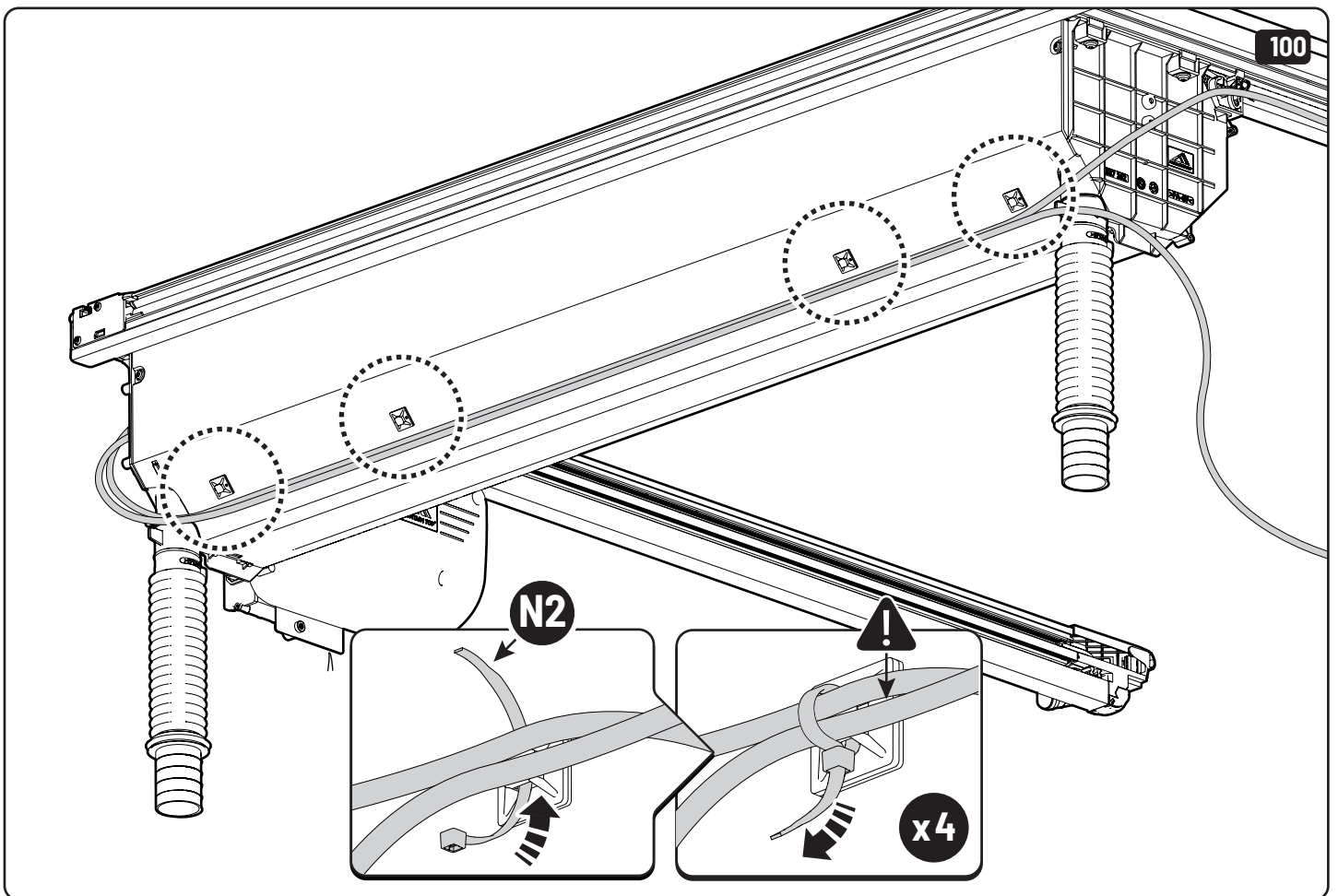
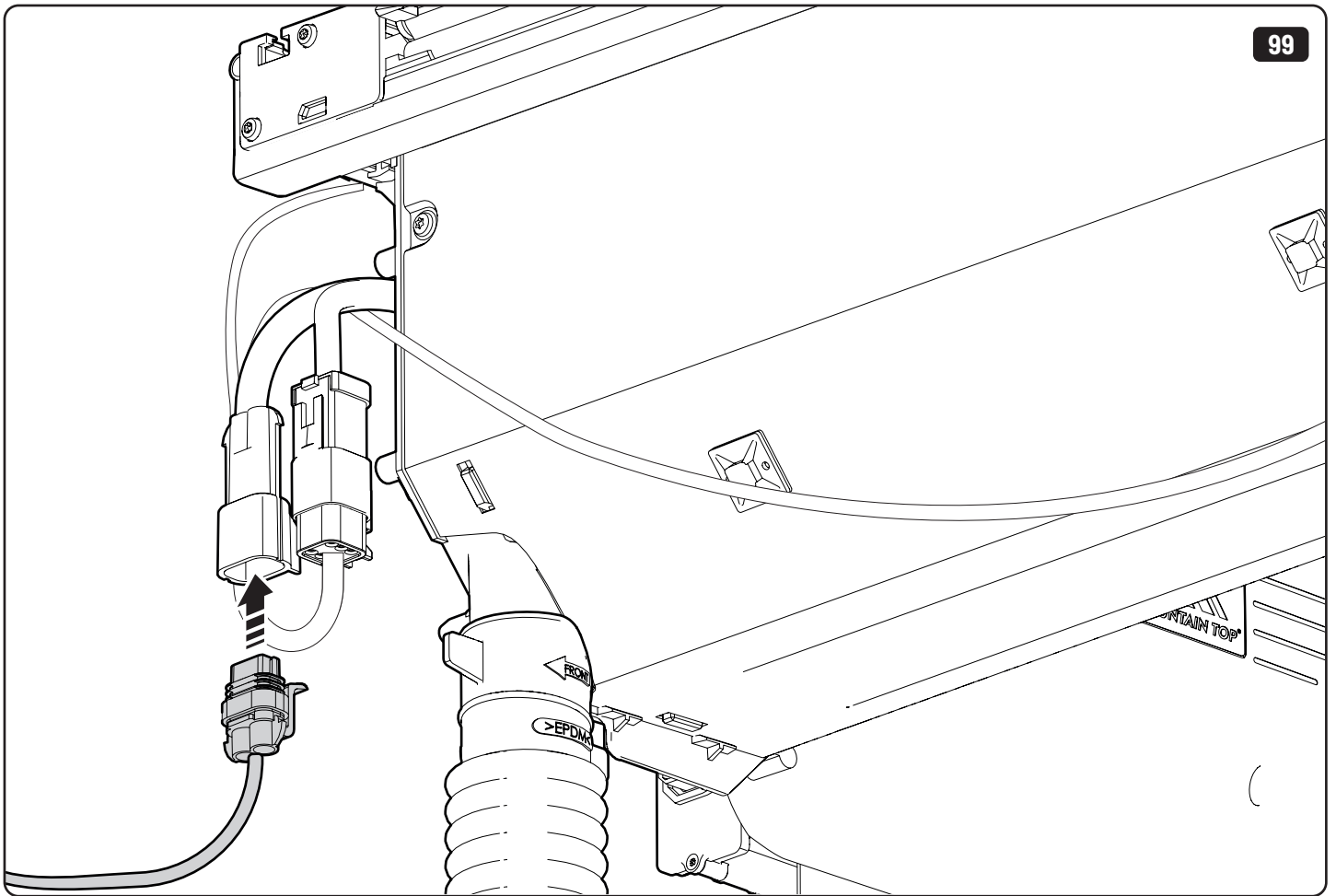


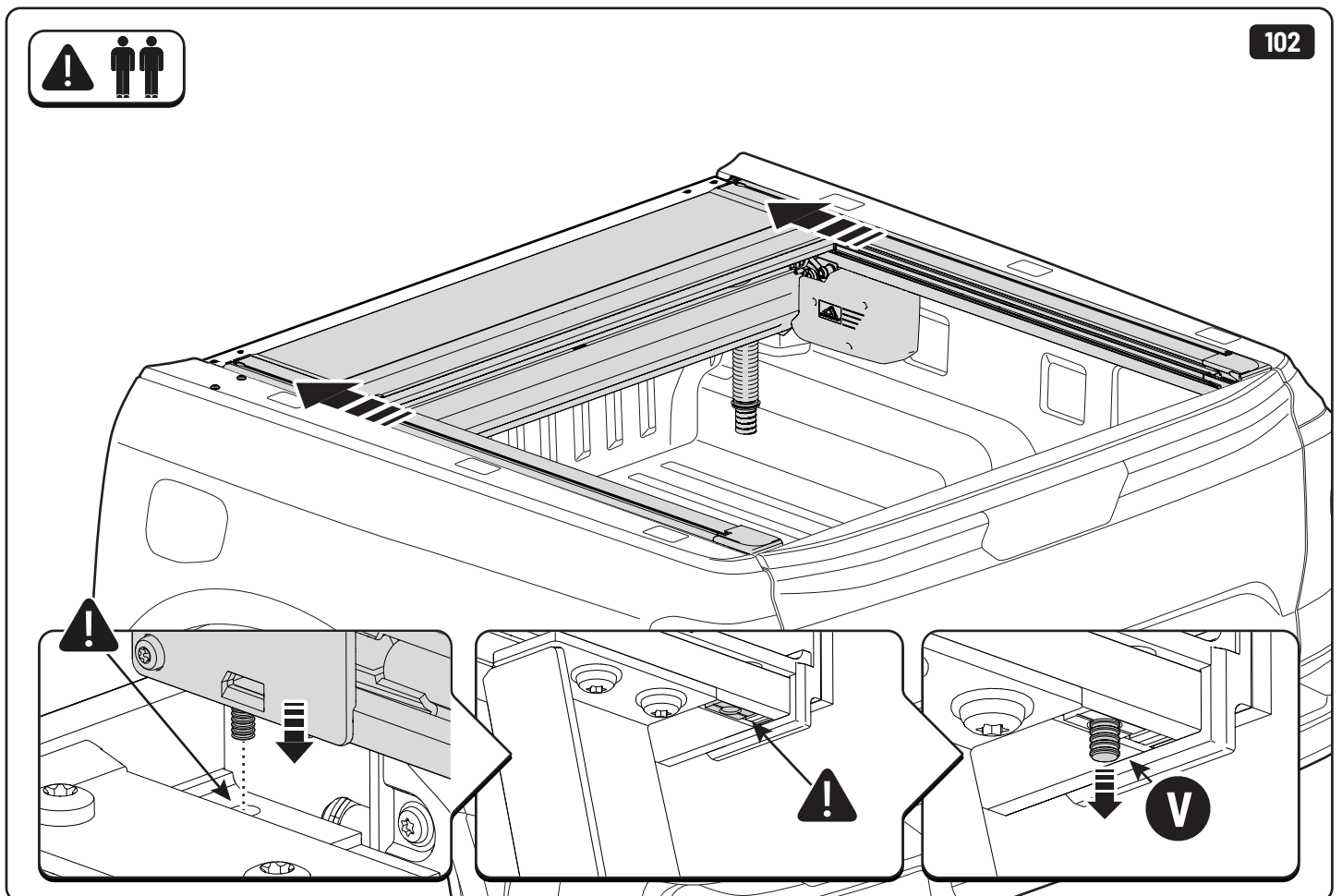
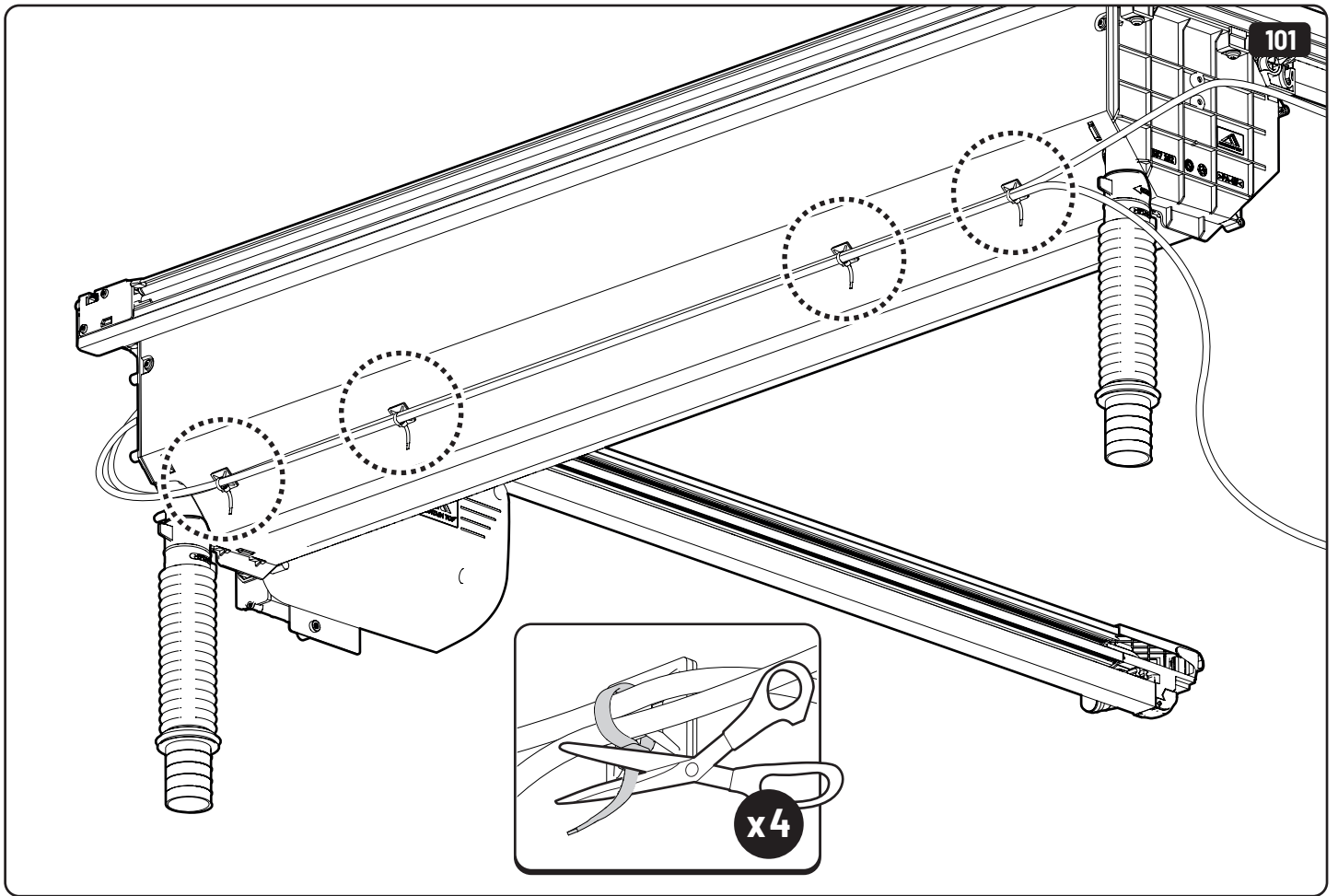
97

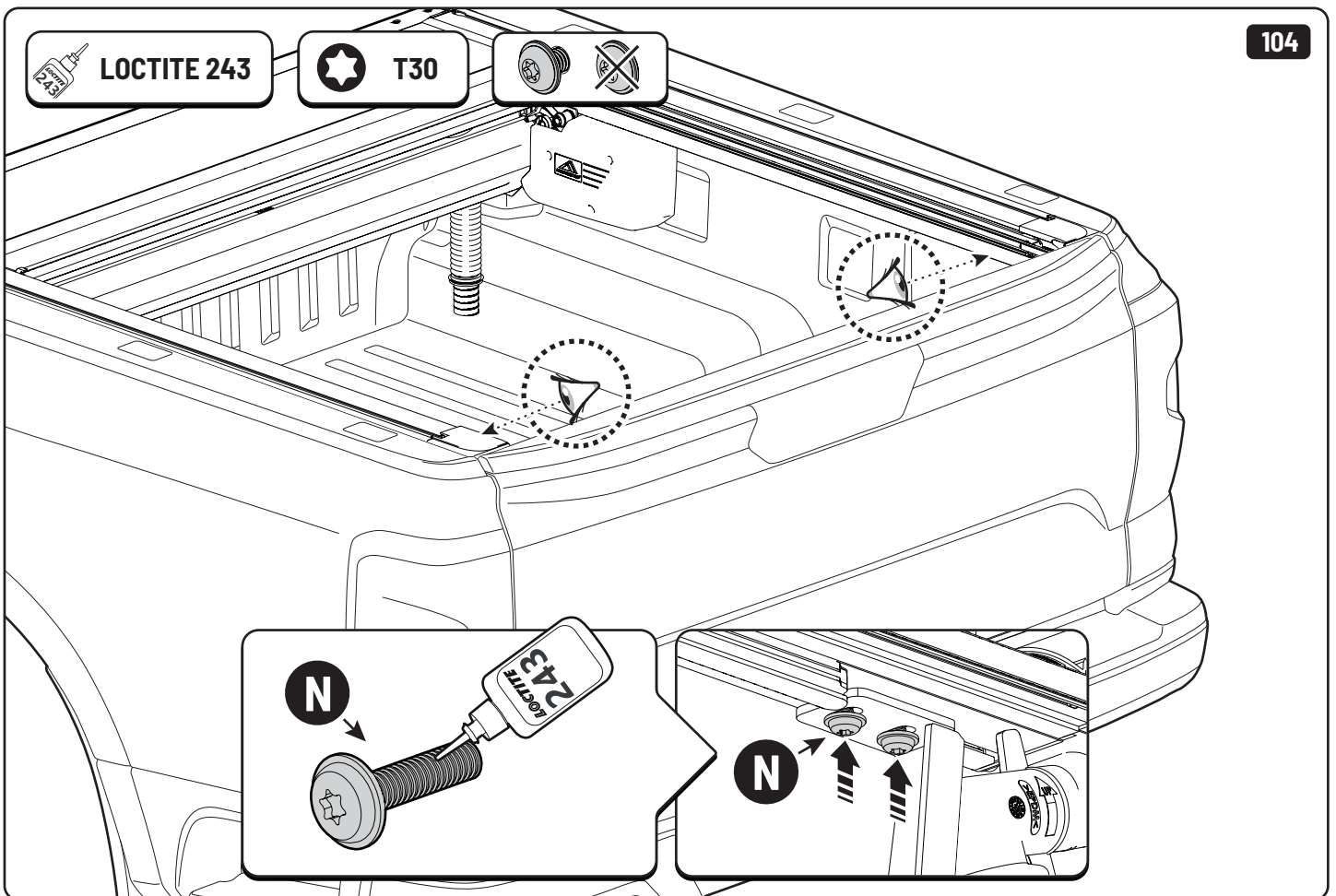
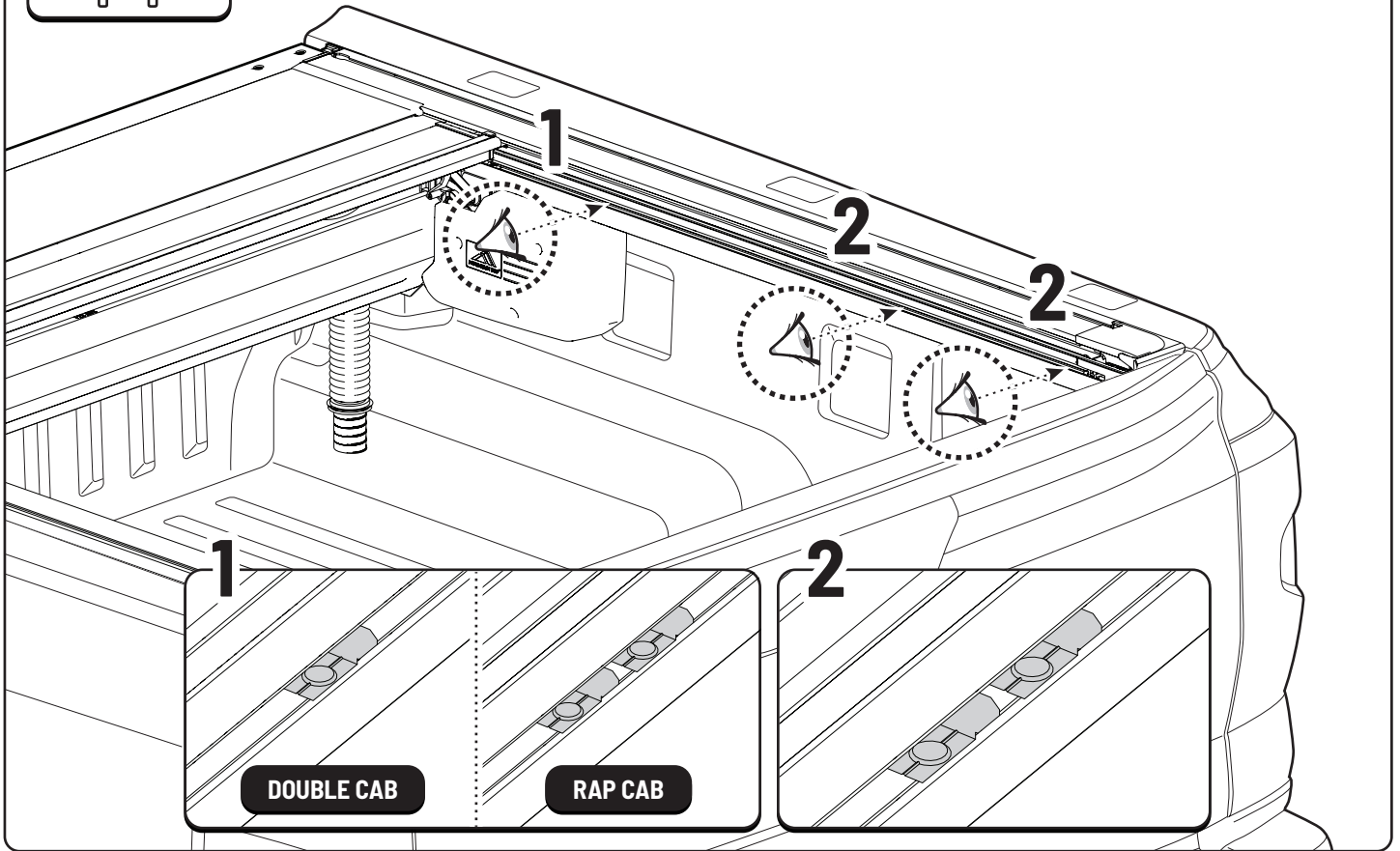


98







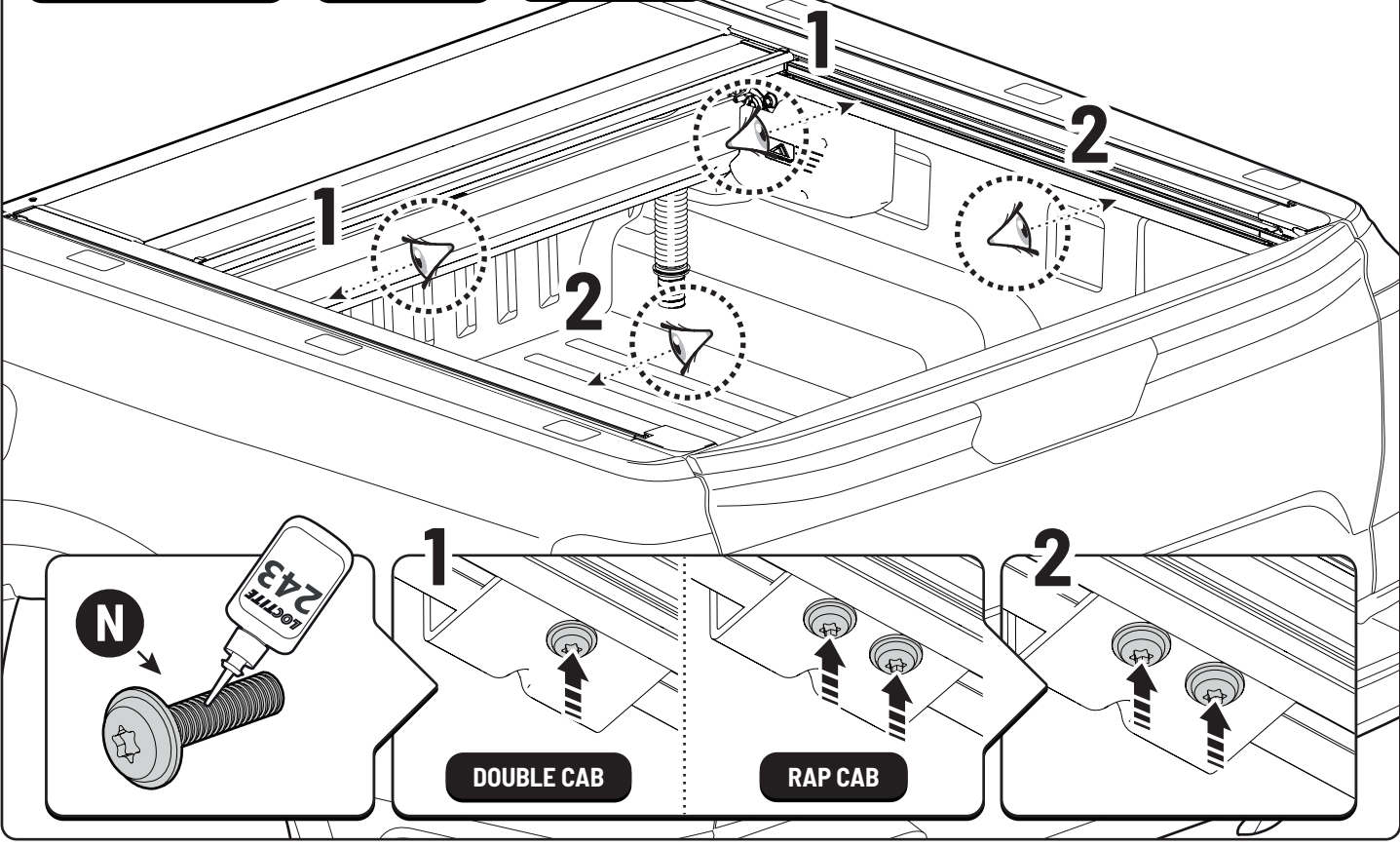


LOCTITE 243

T30



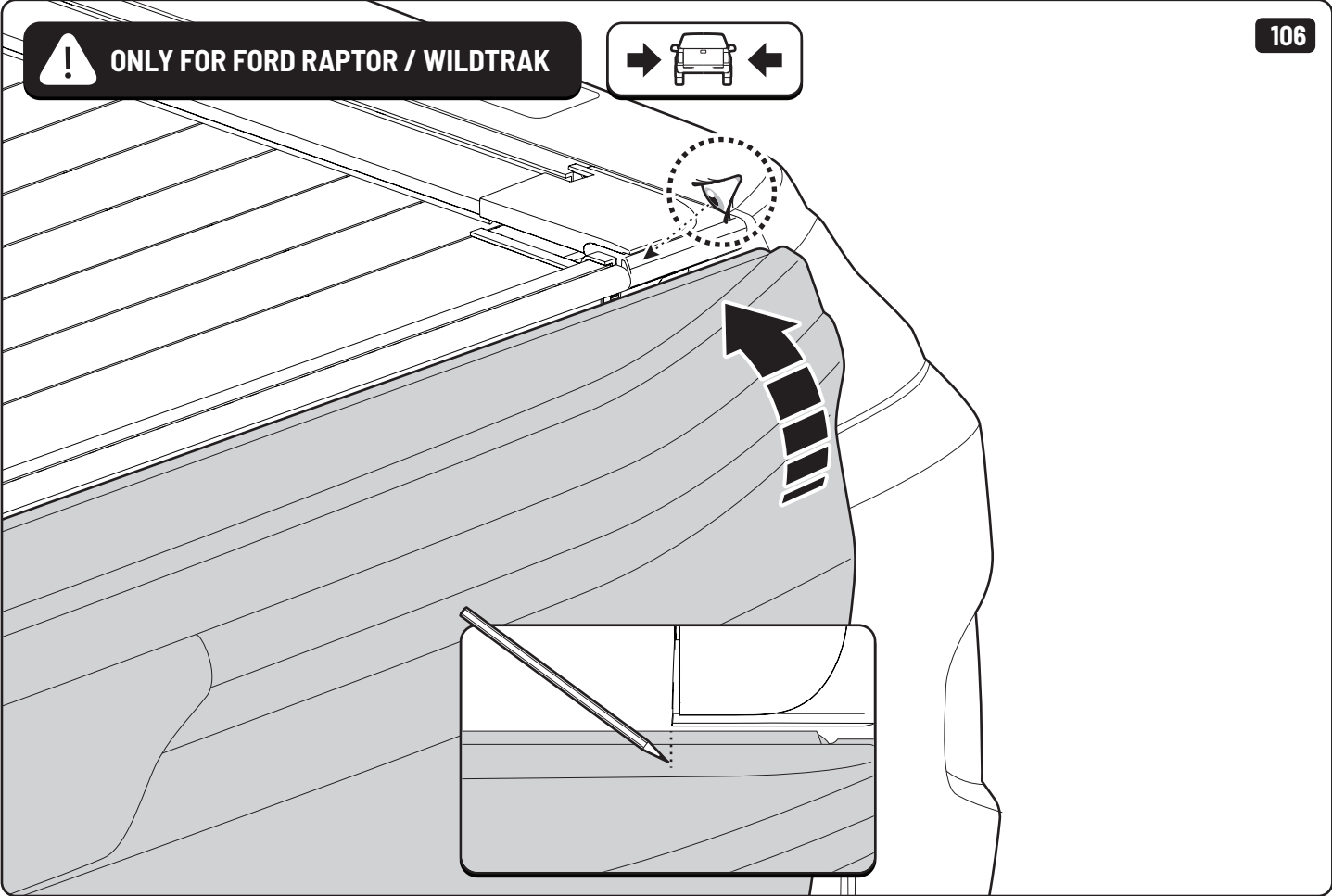
105



! ONLY FOR FORD RAPTOR / WILDTRAK



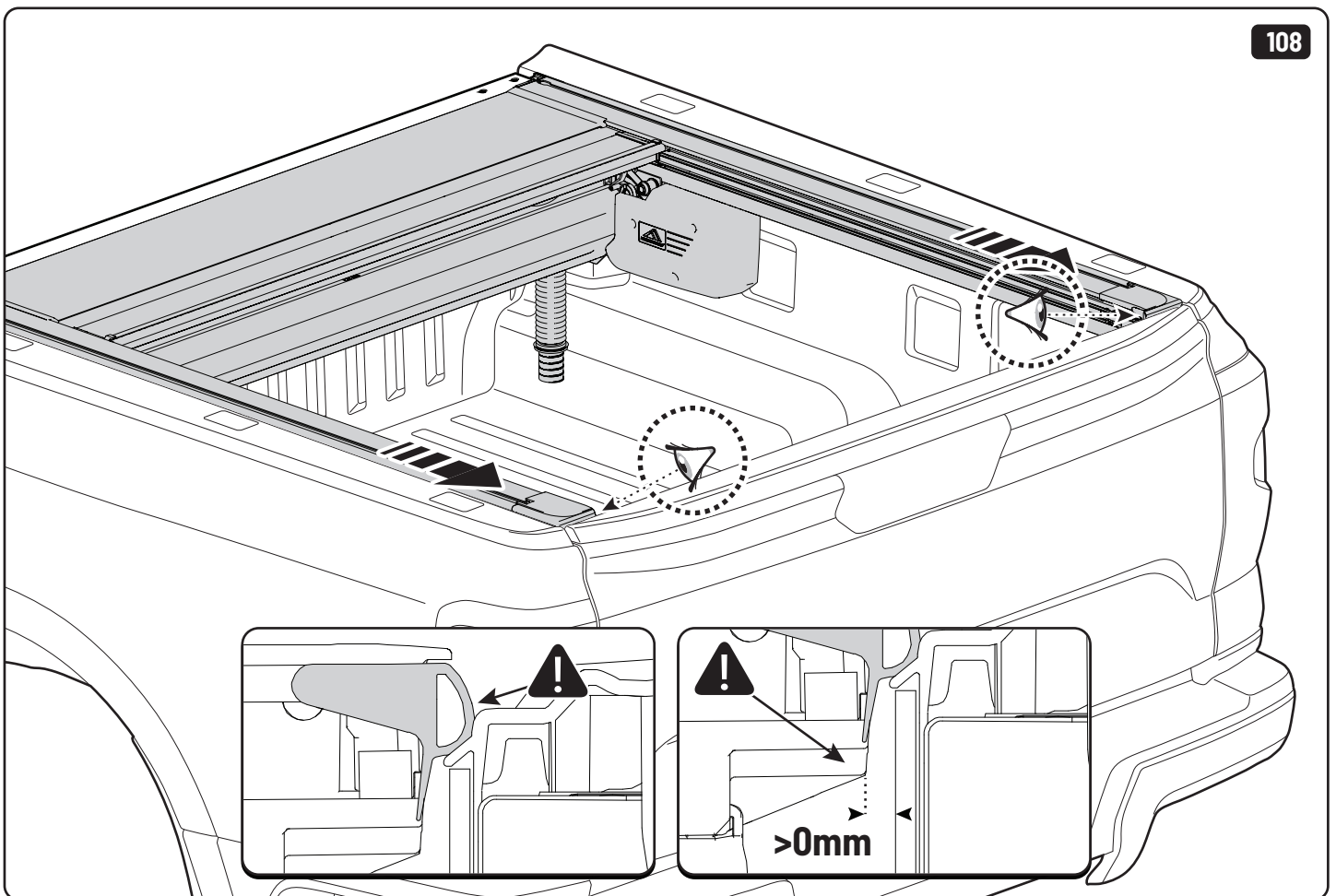
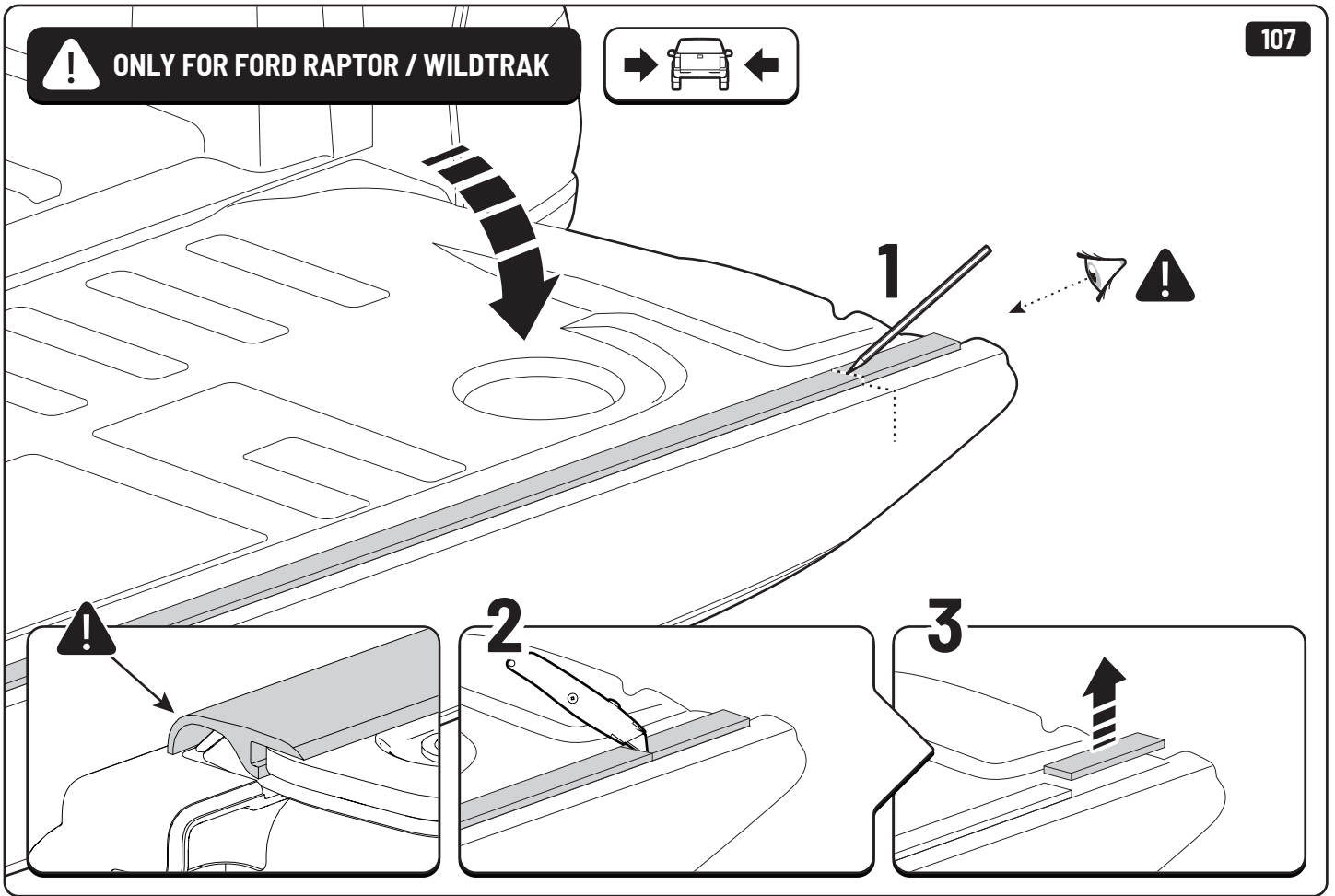
106



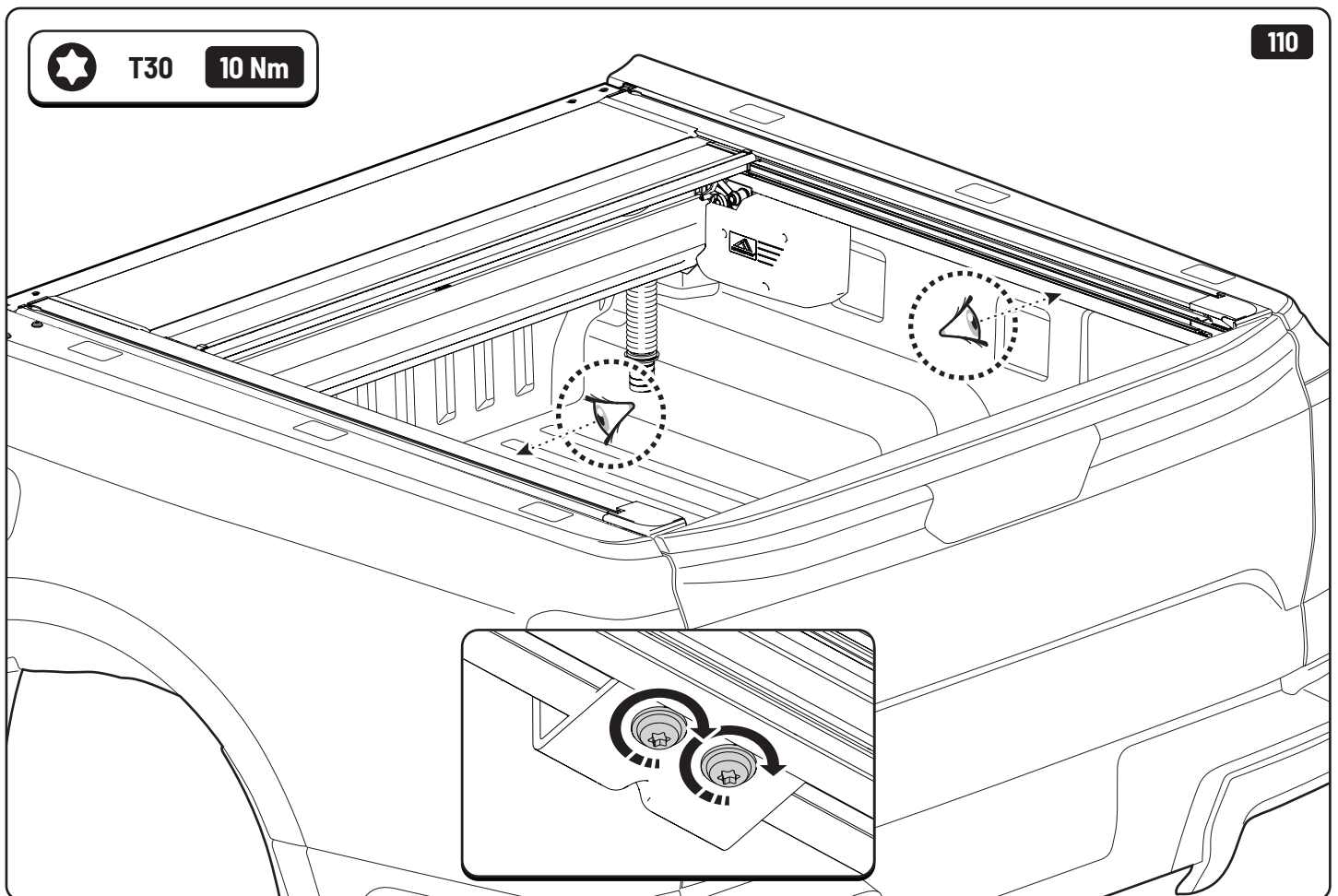
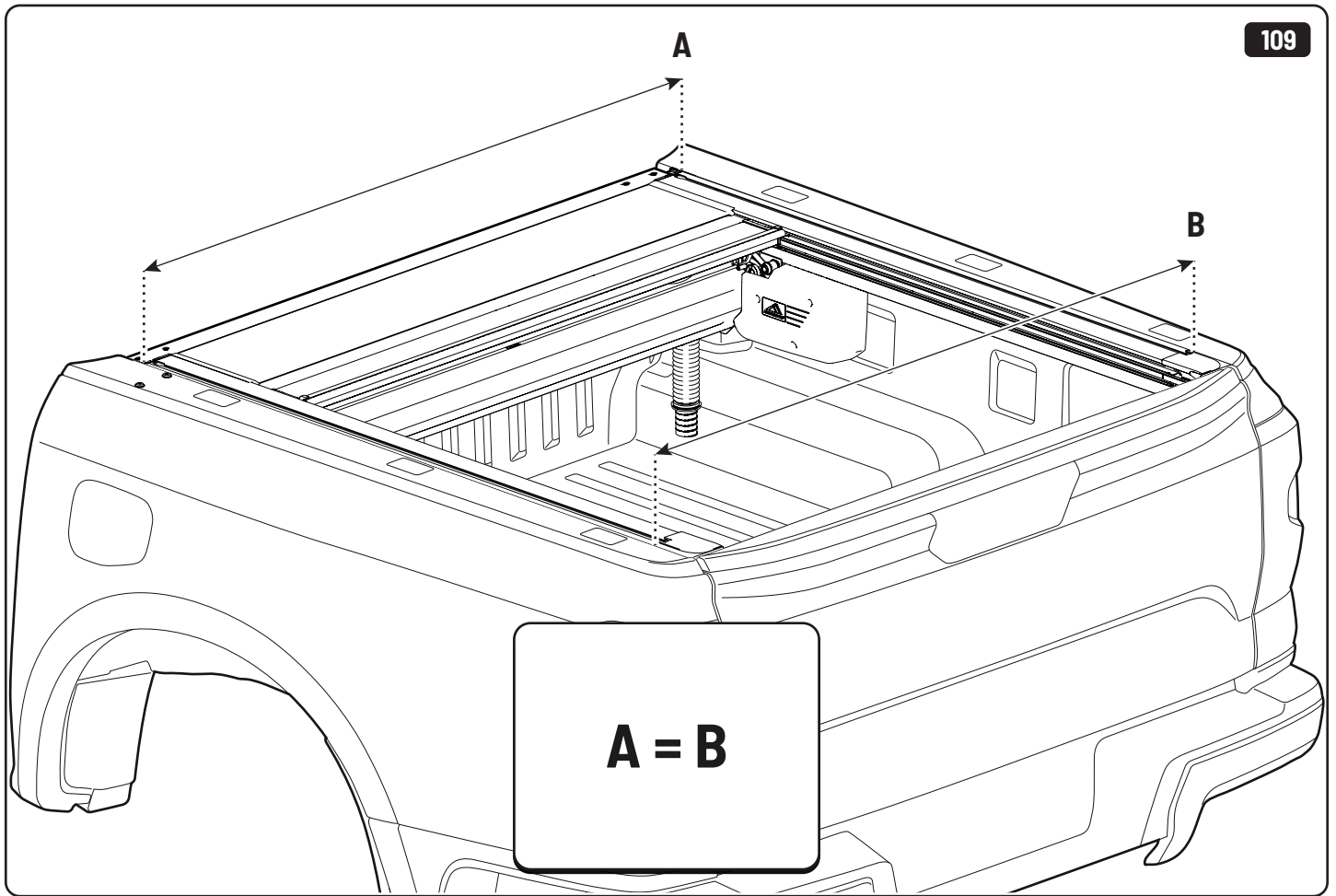
! ONLY FOR FORD RAPTOR / WILDTRAK

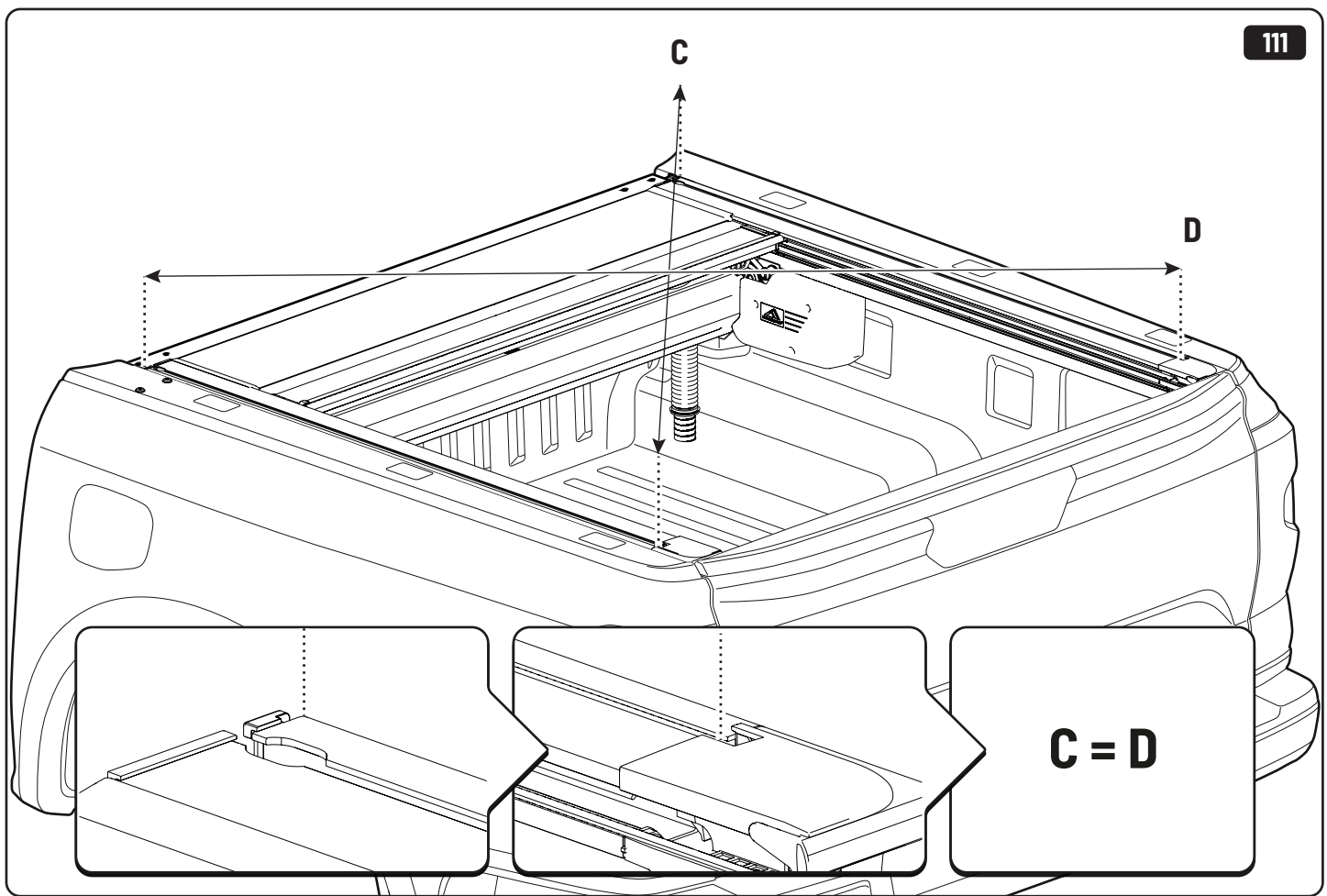


107

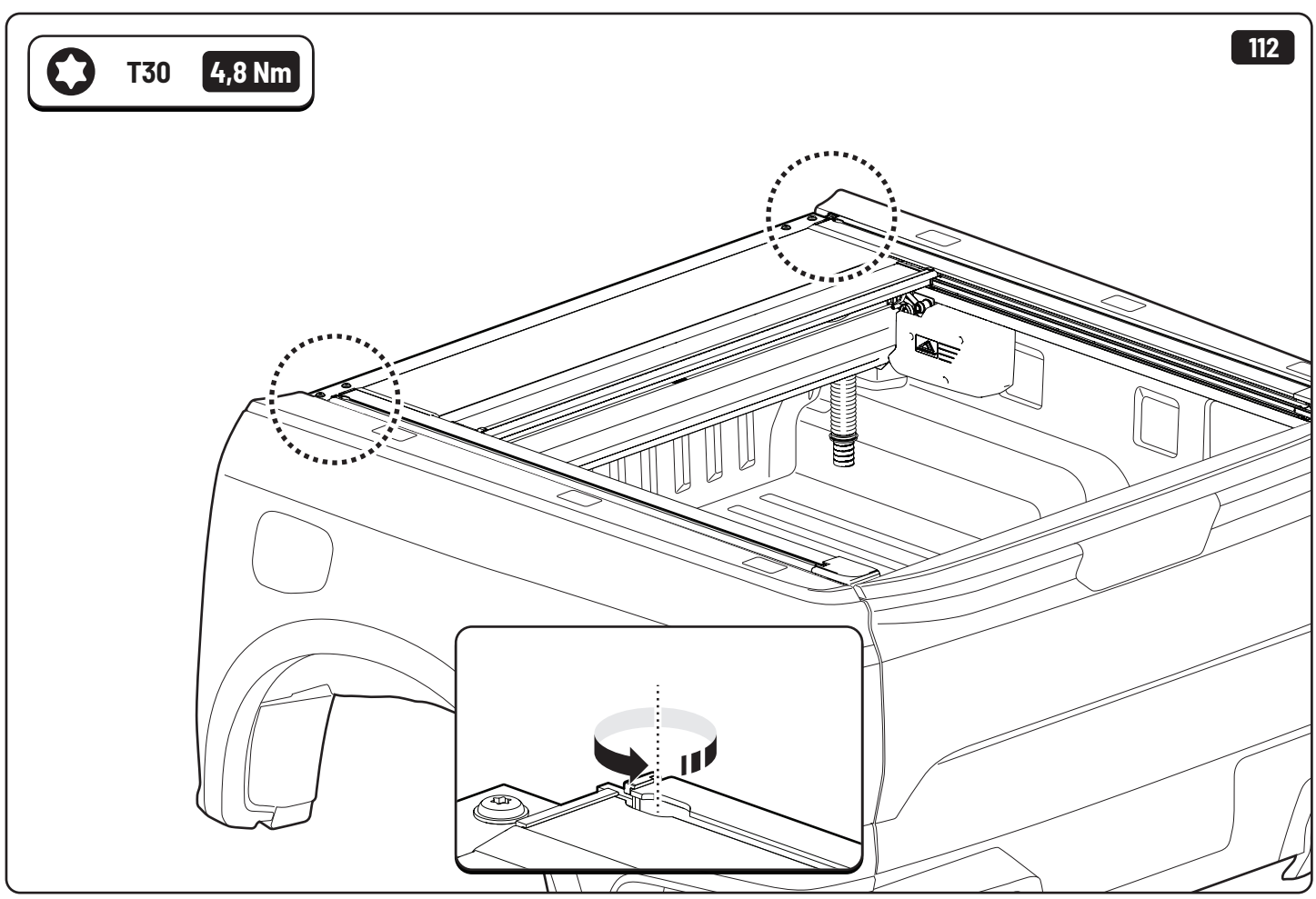


108

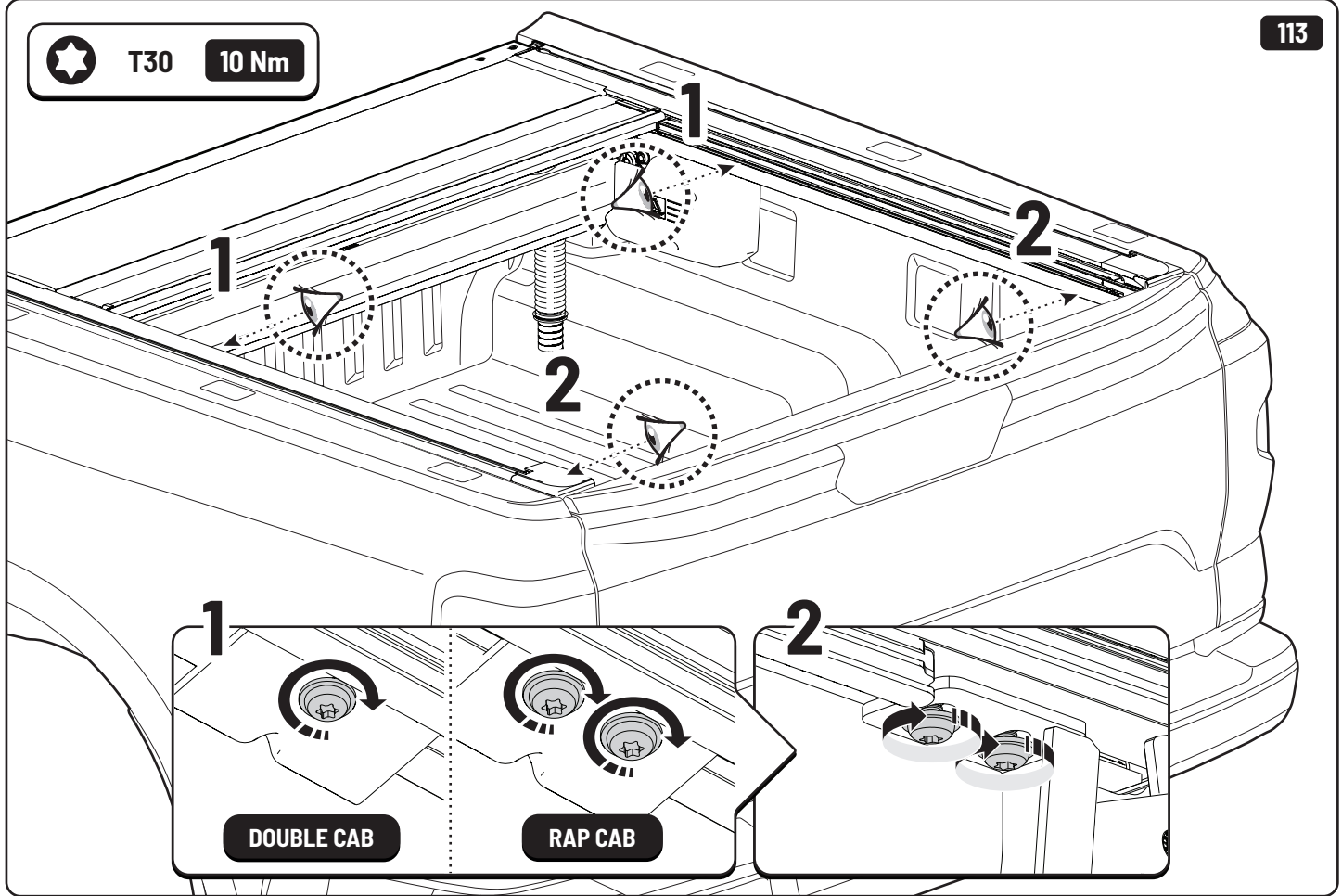




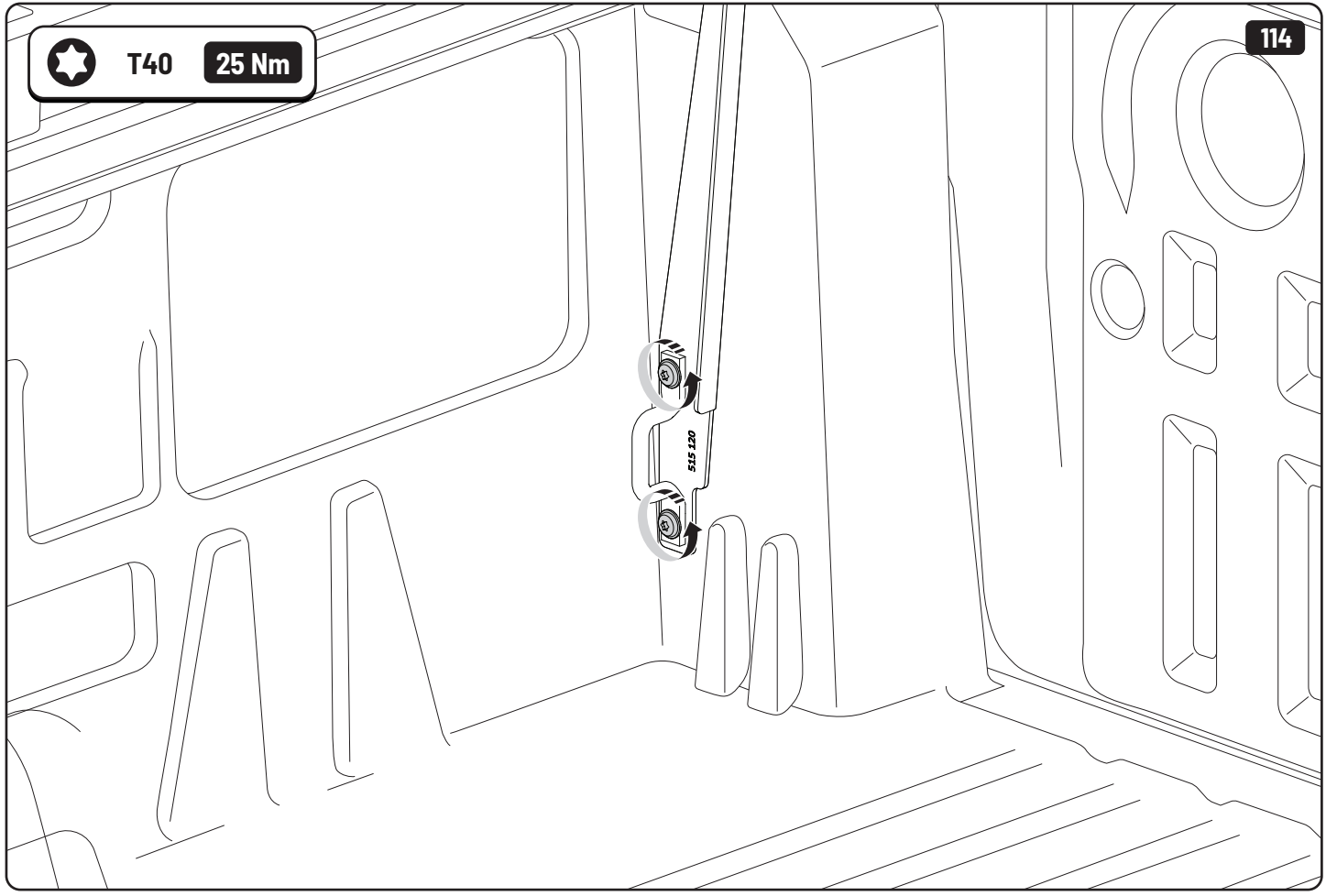
 T30 4,8 Nm

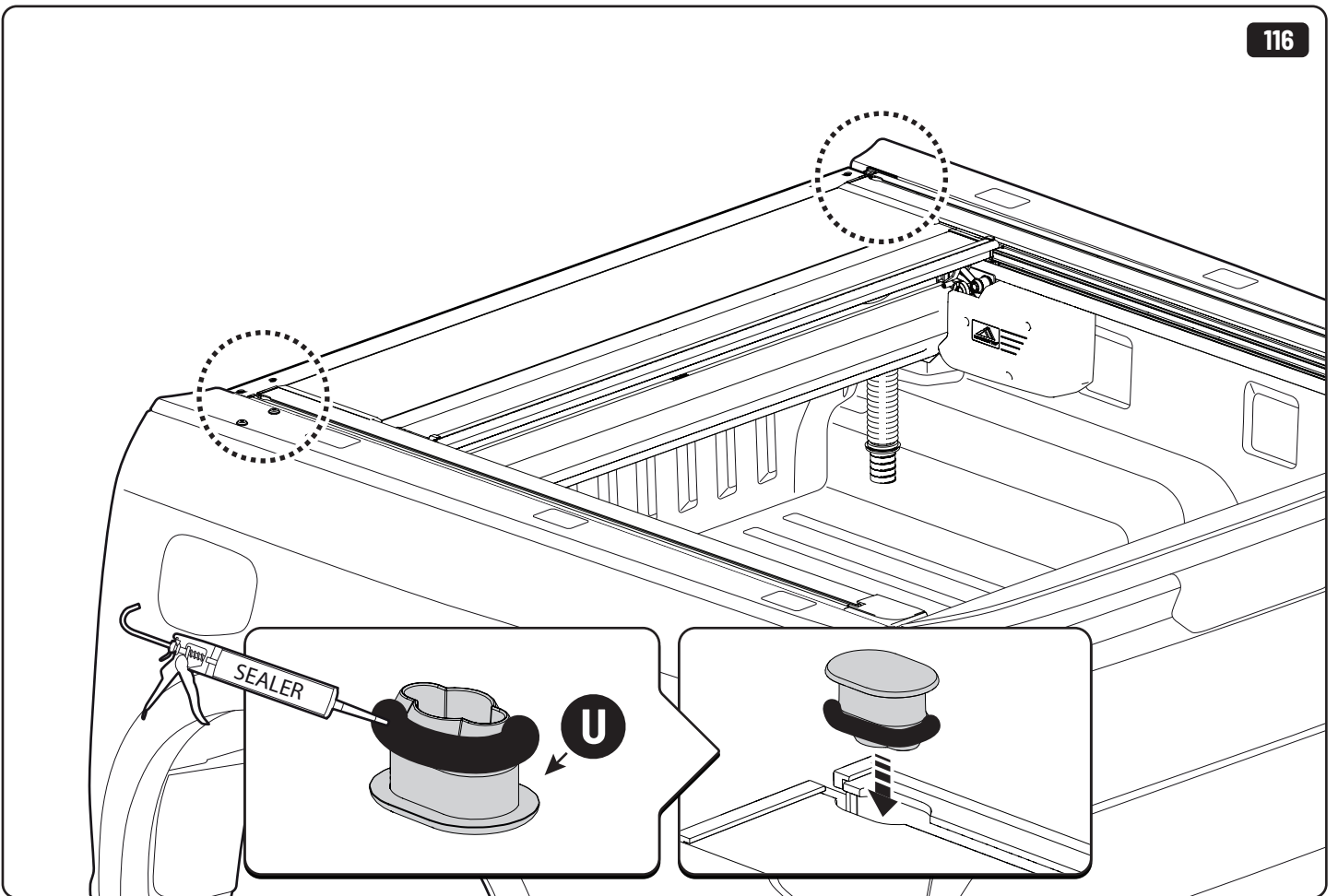
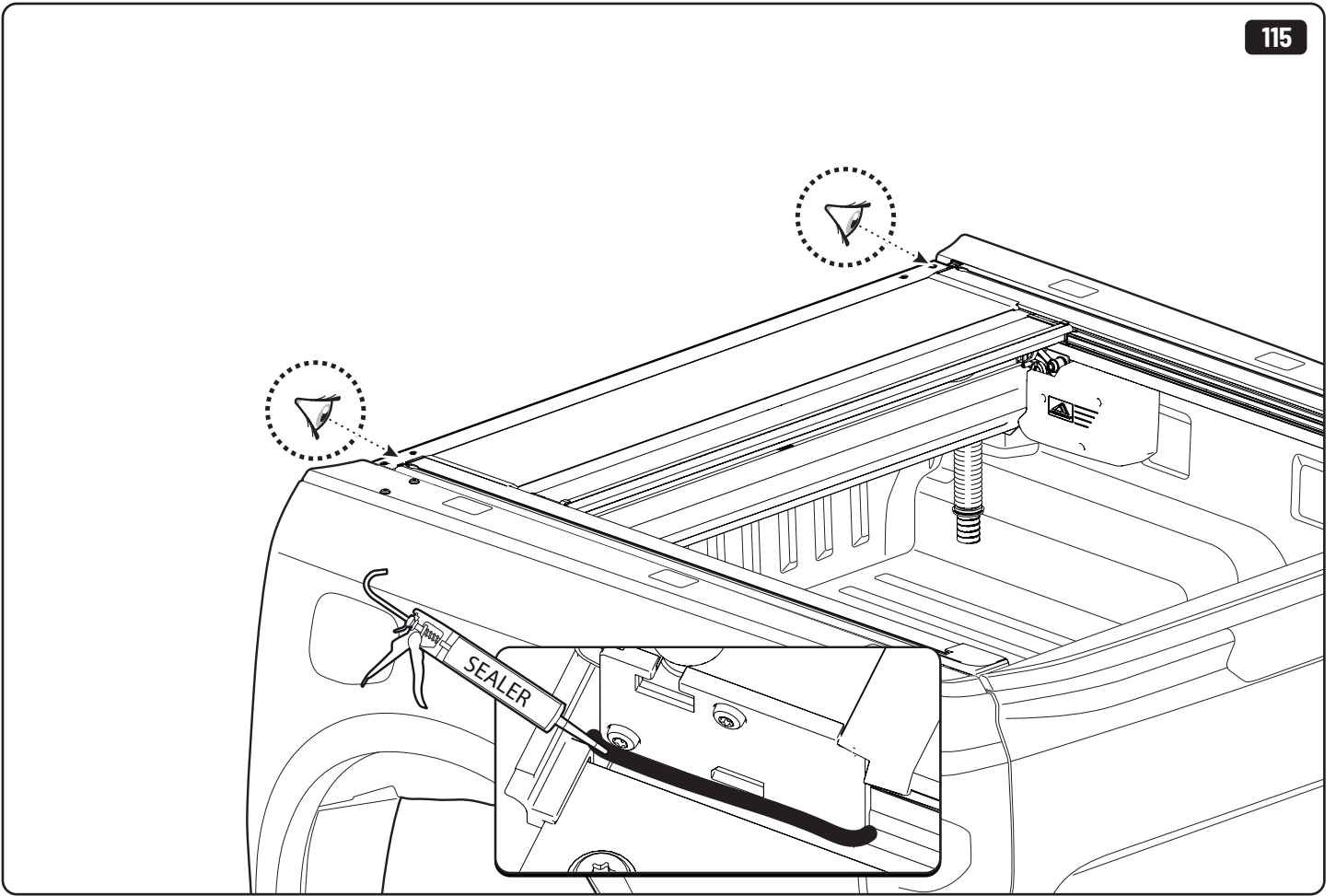


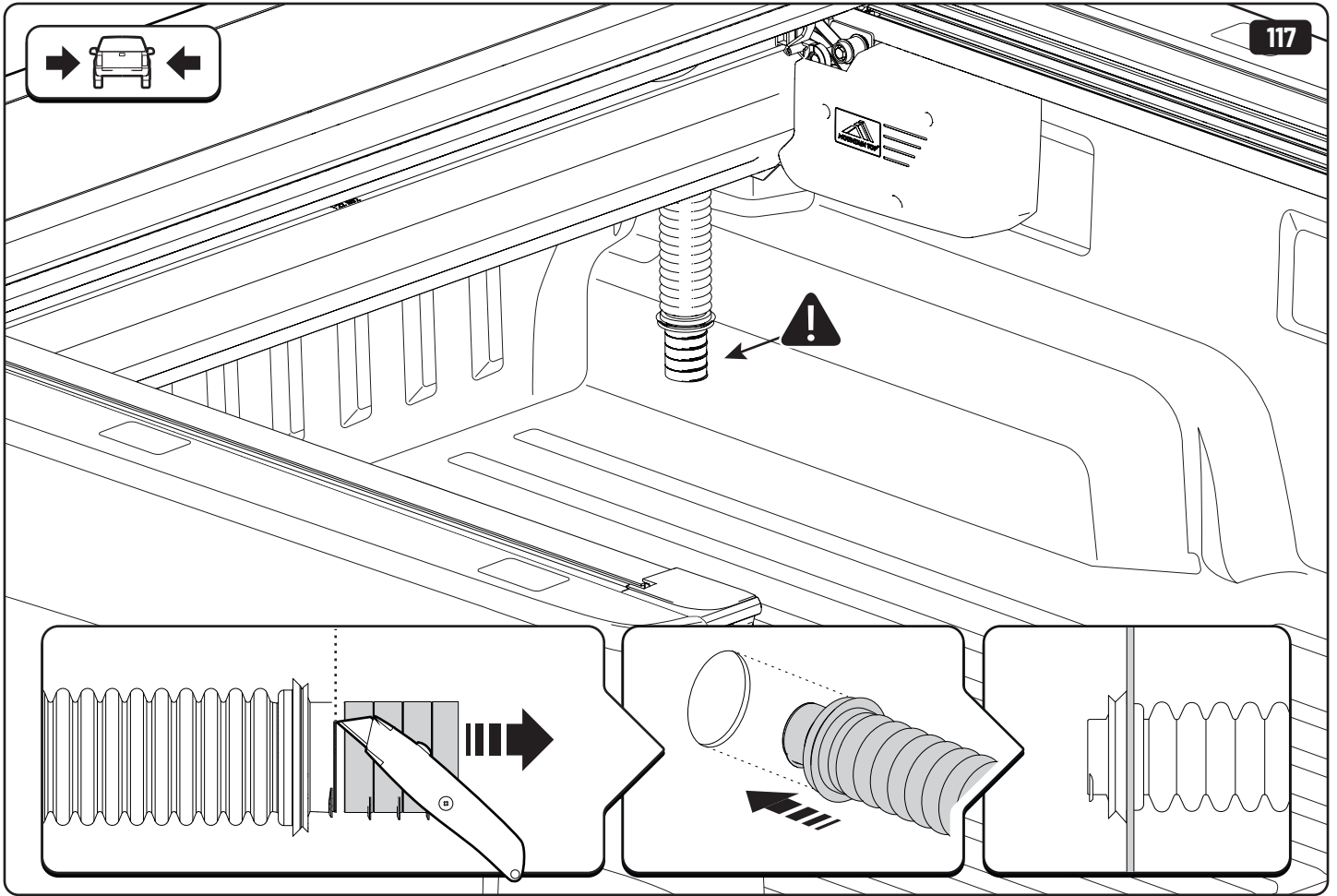
 T30 10 Nm

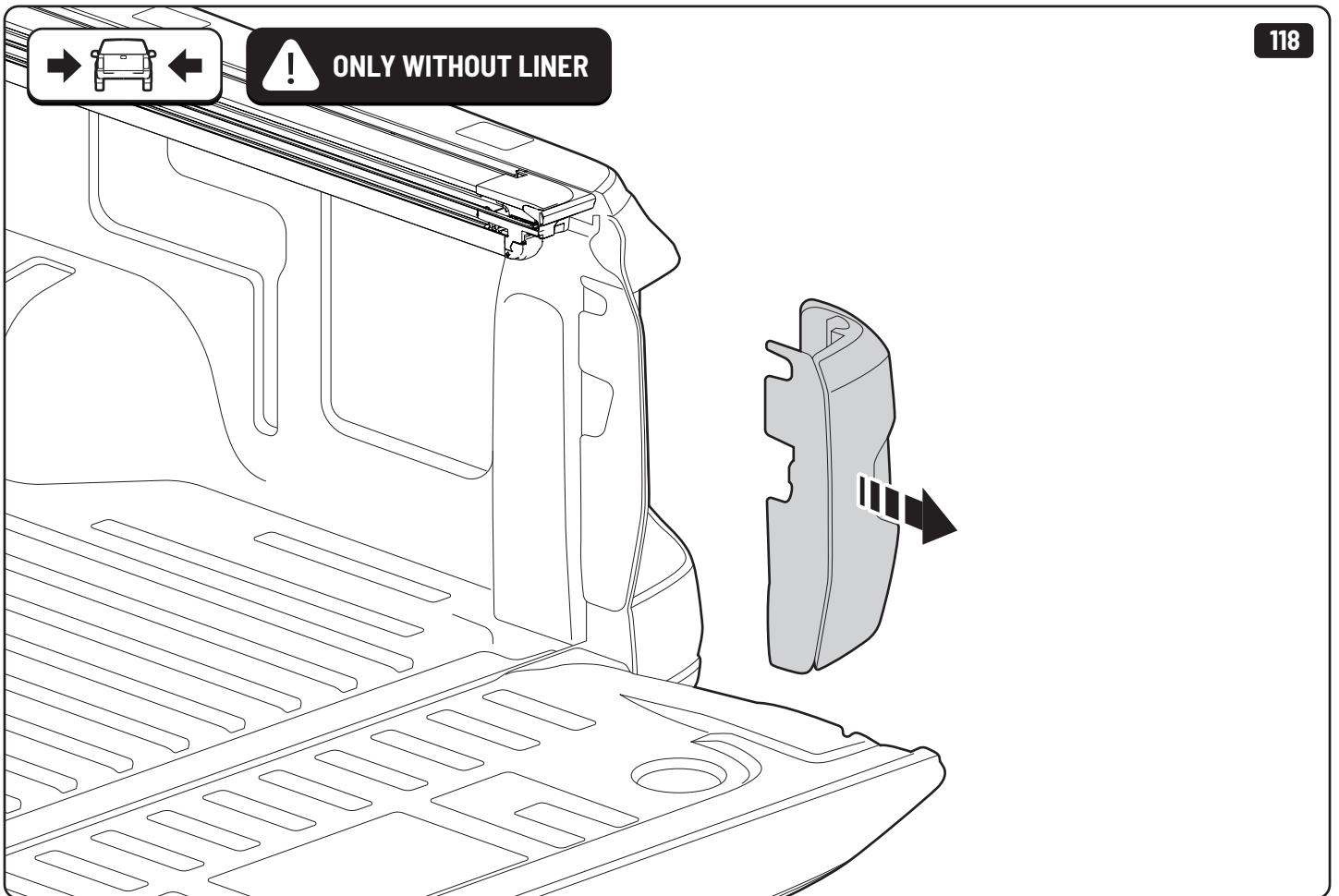
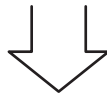
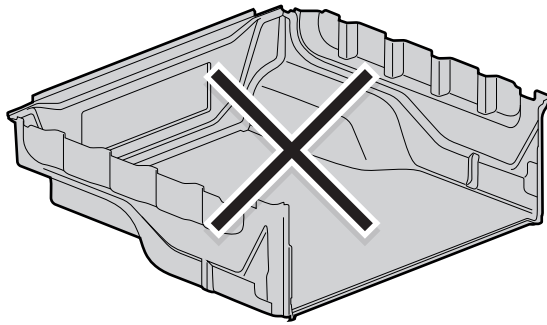
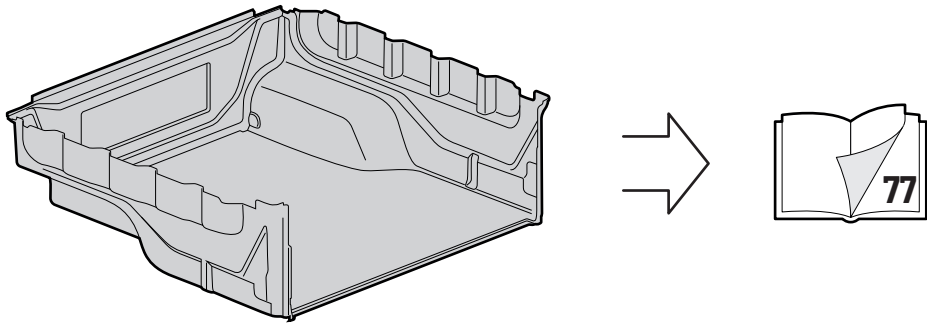


 T40 25 Nm



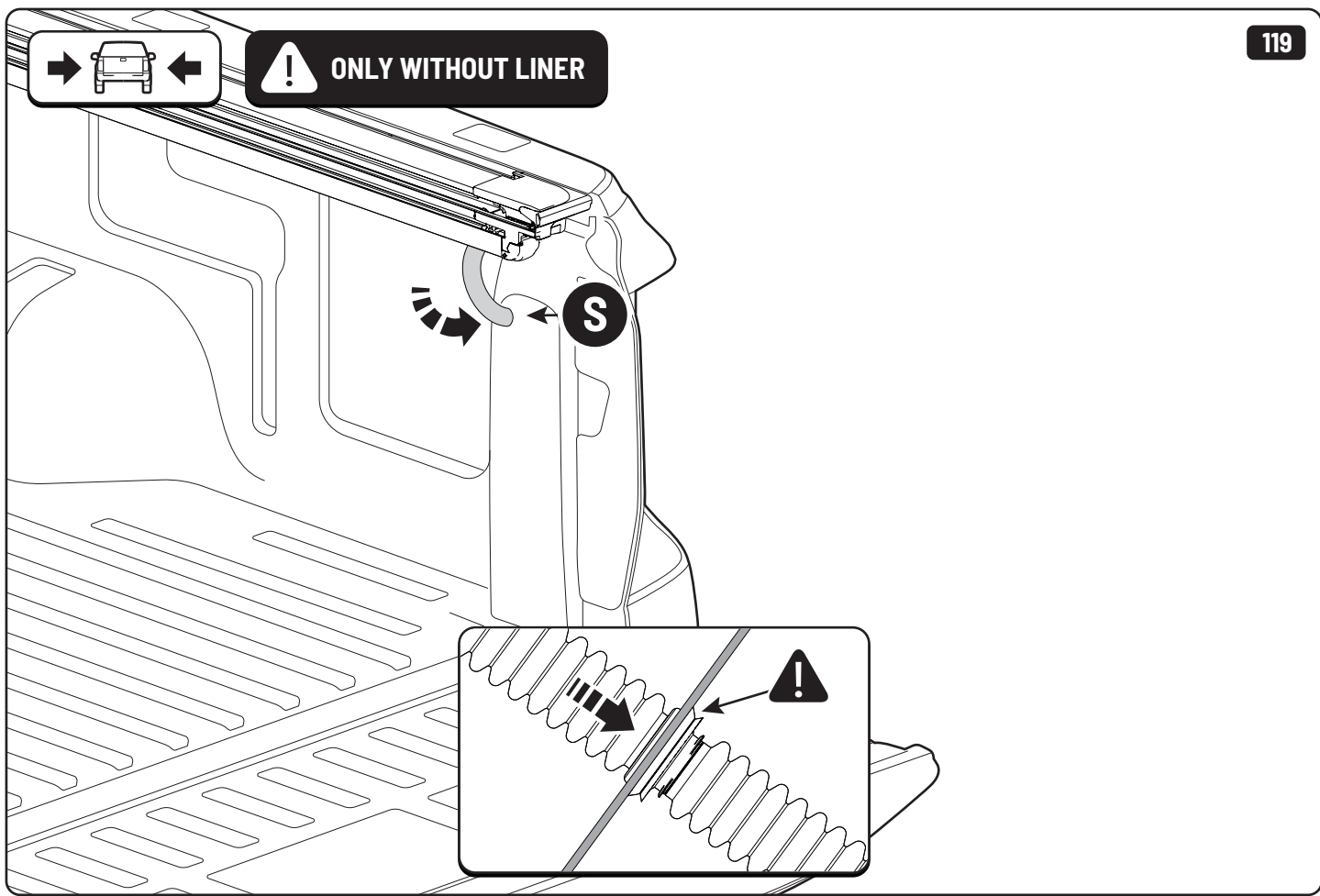




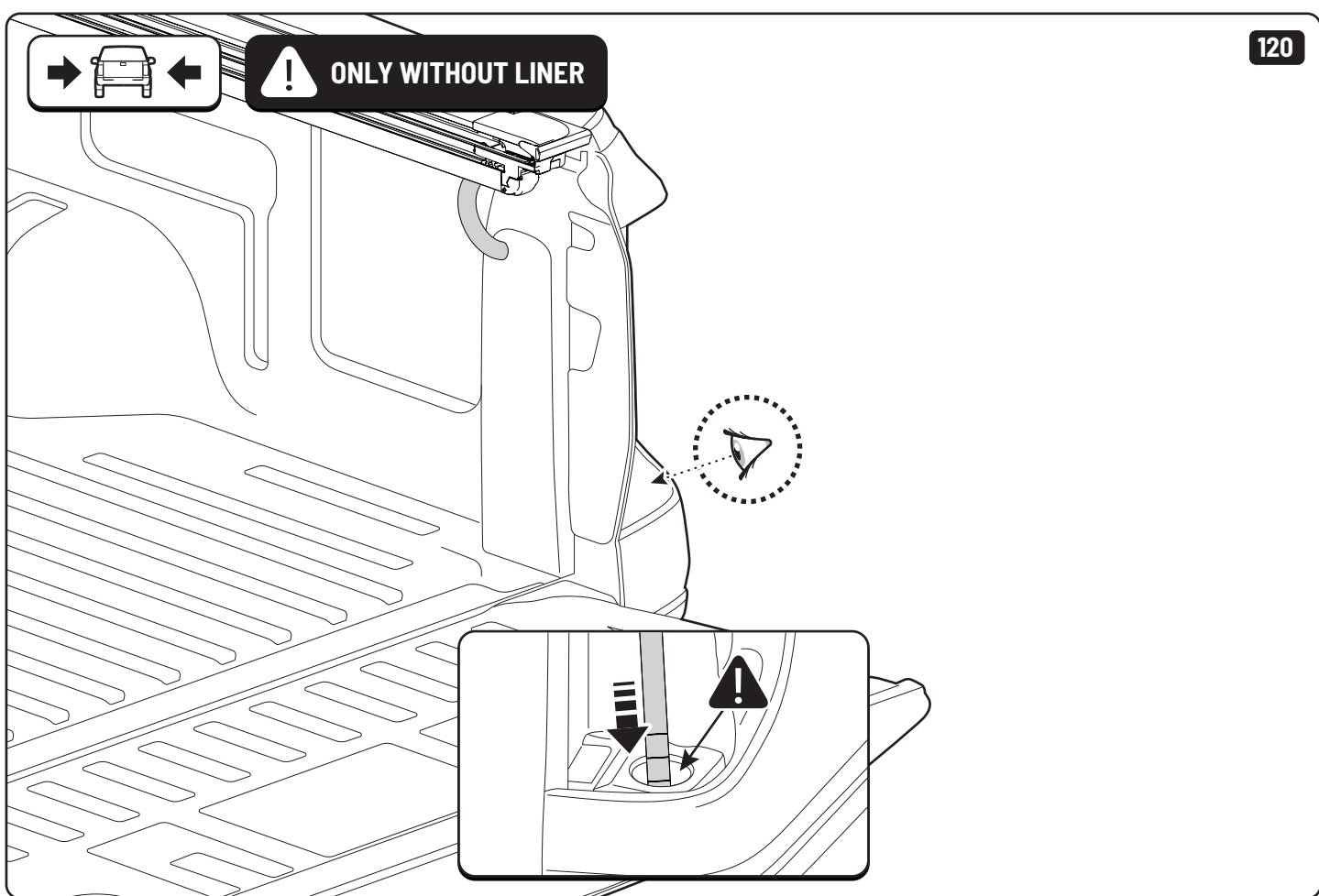




! ONLY WITHOUT LINER

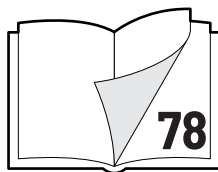
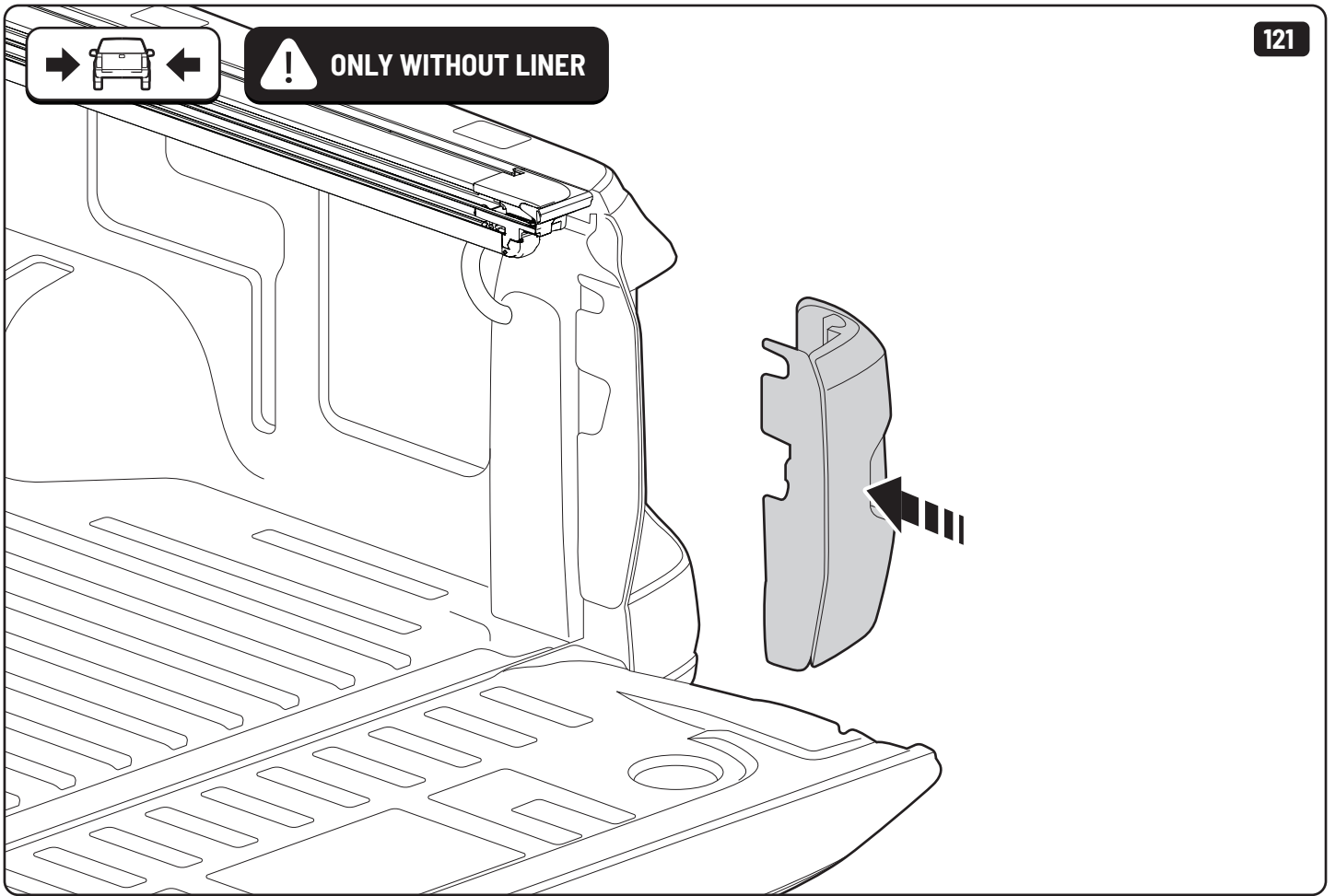


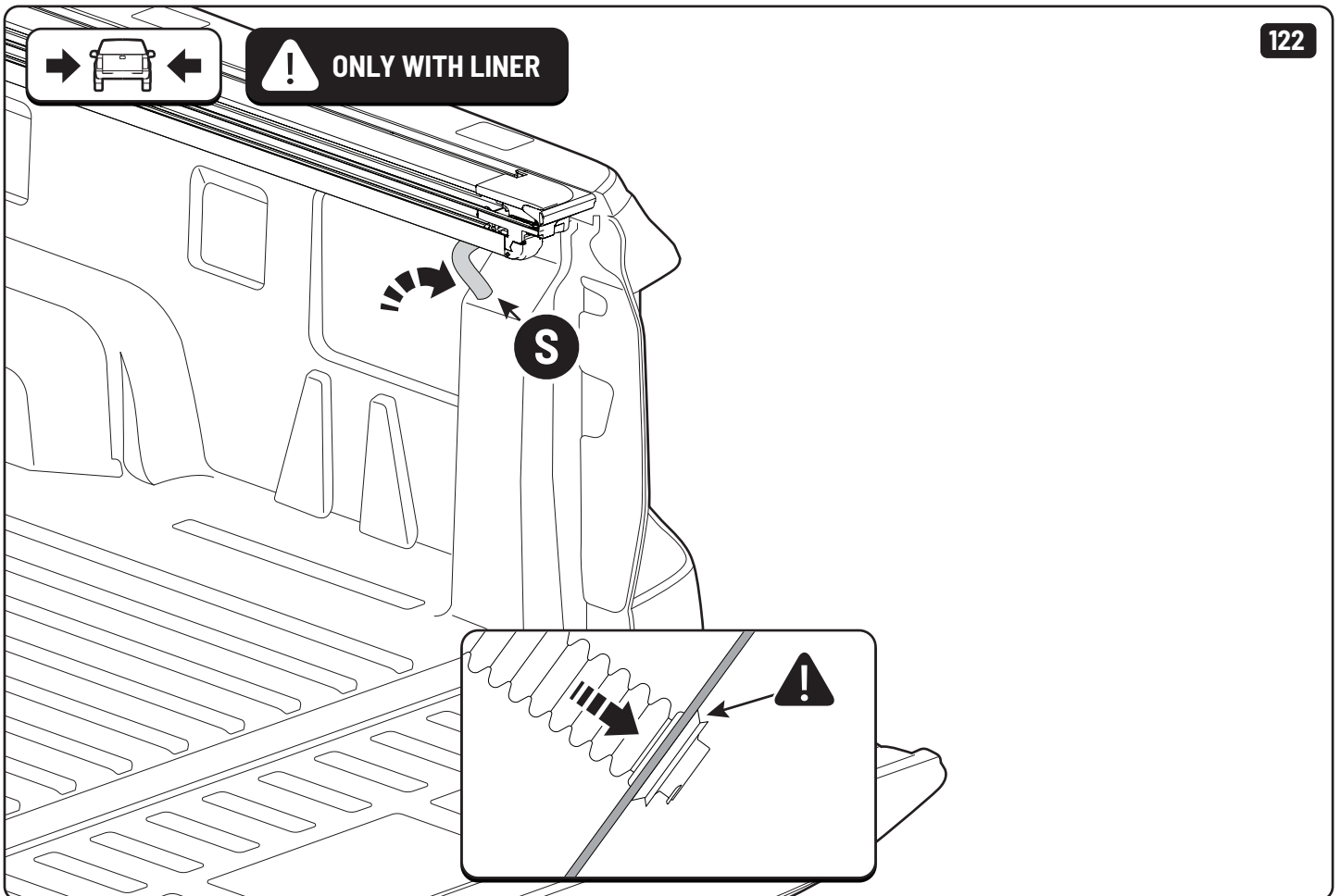
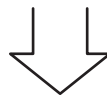
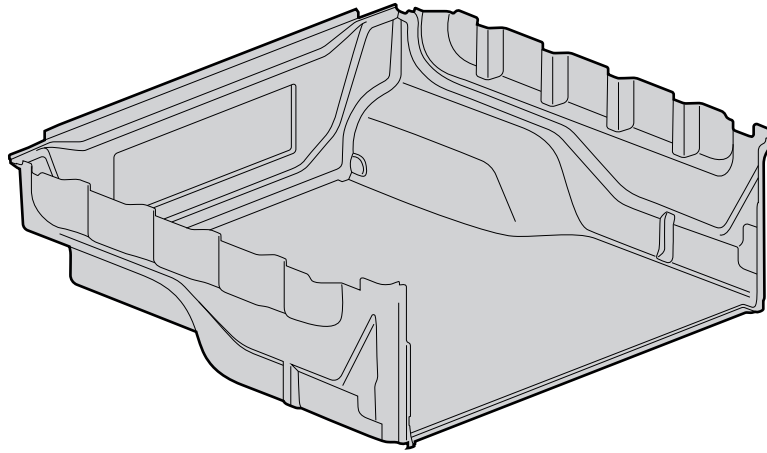
! ONLY WITHOUT LINER

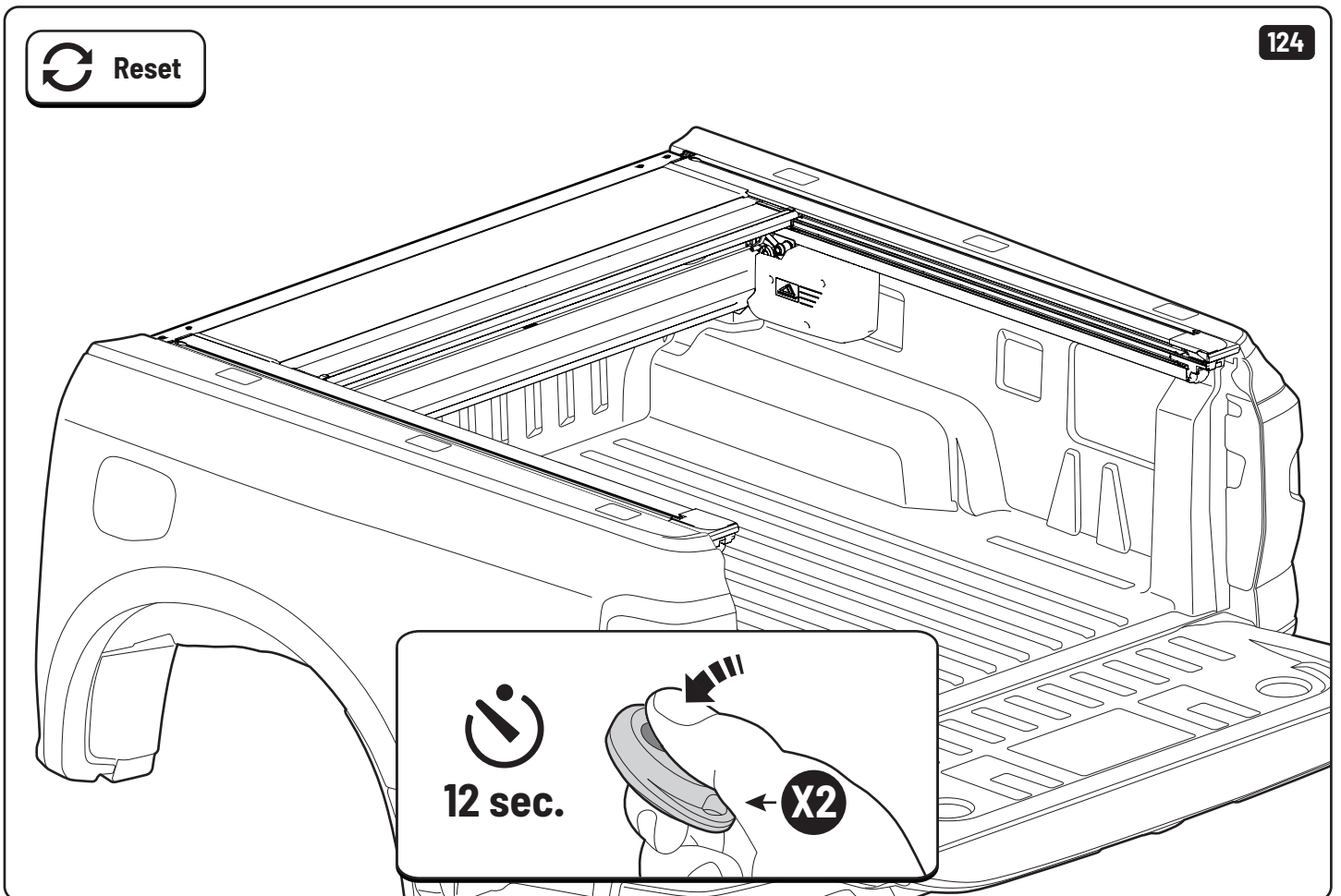
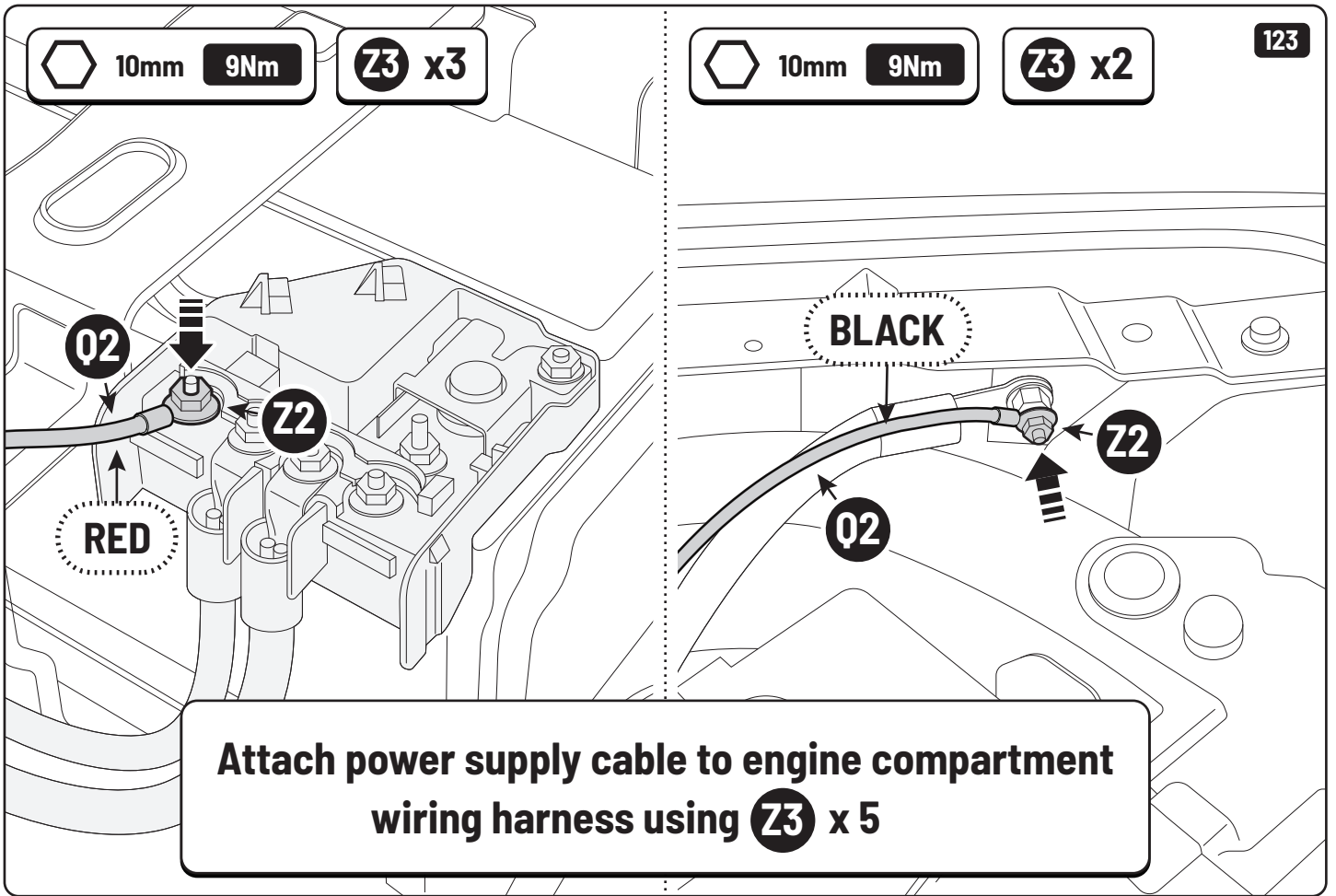




! ONLY WITHOUT LINER

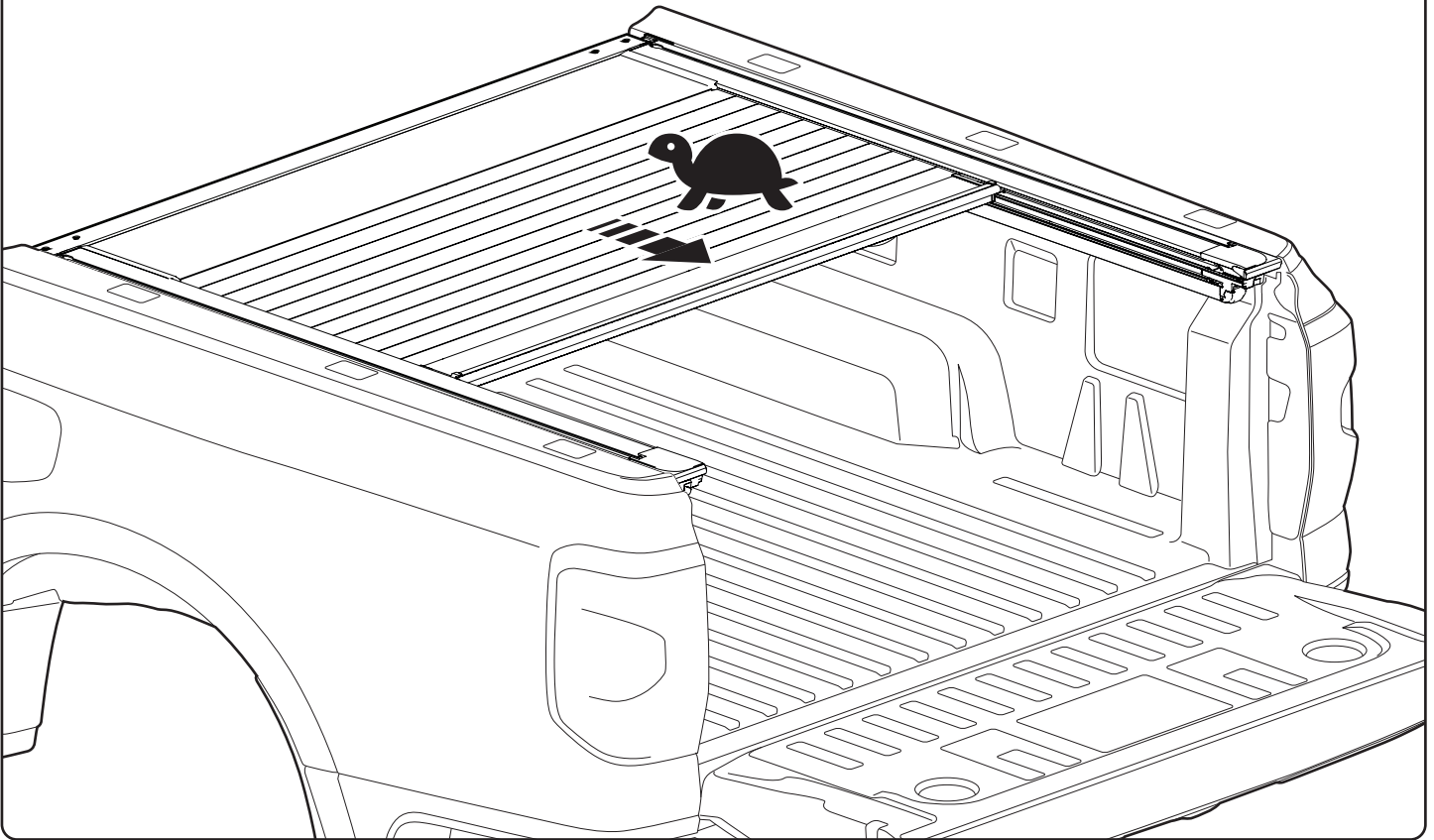




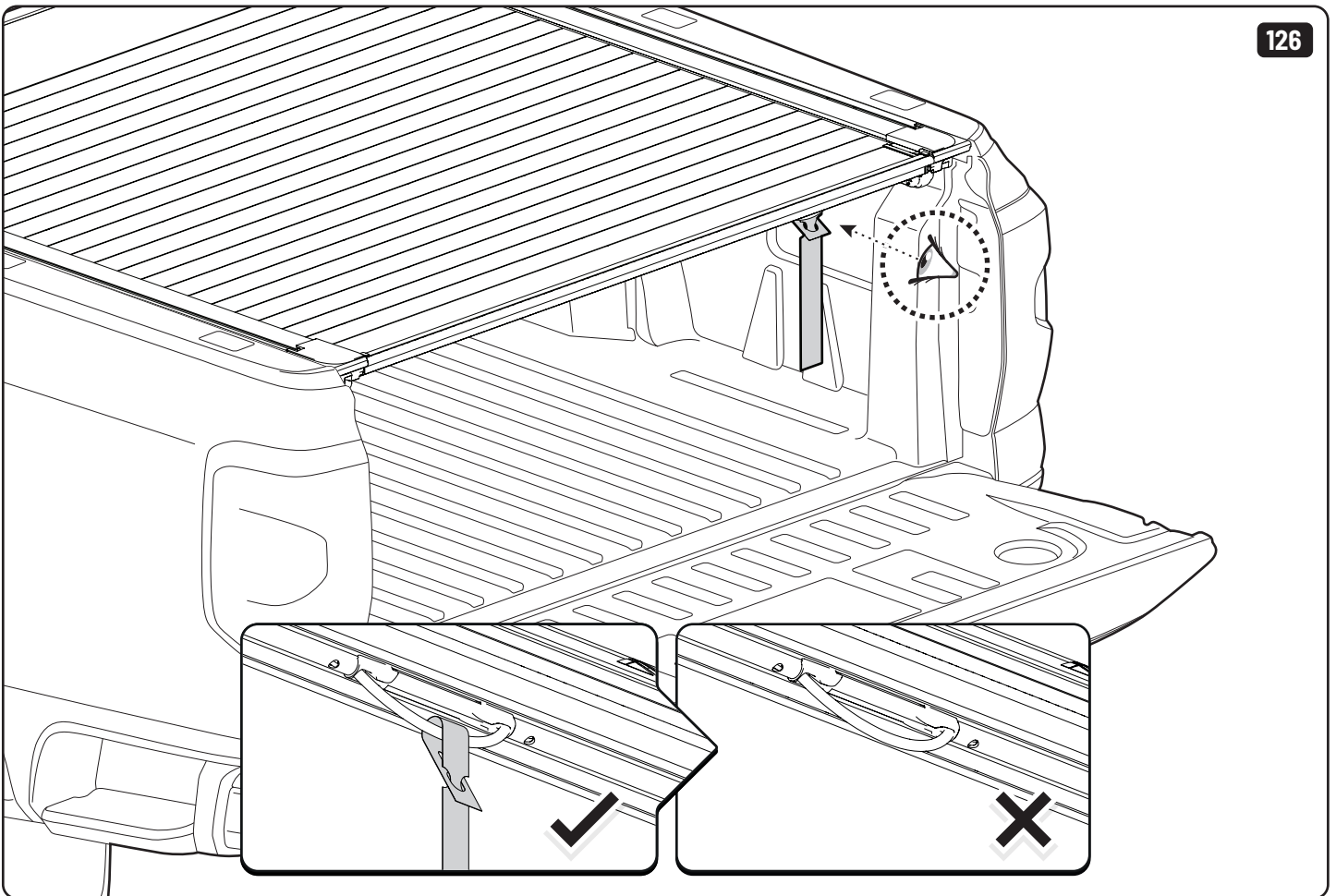


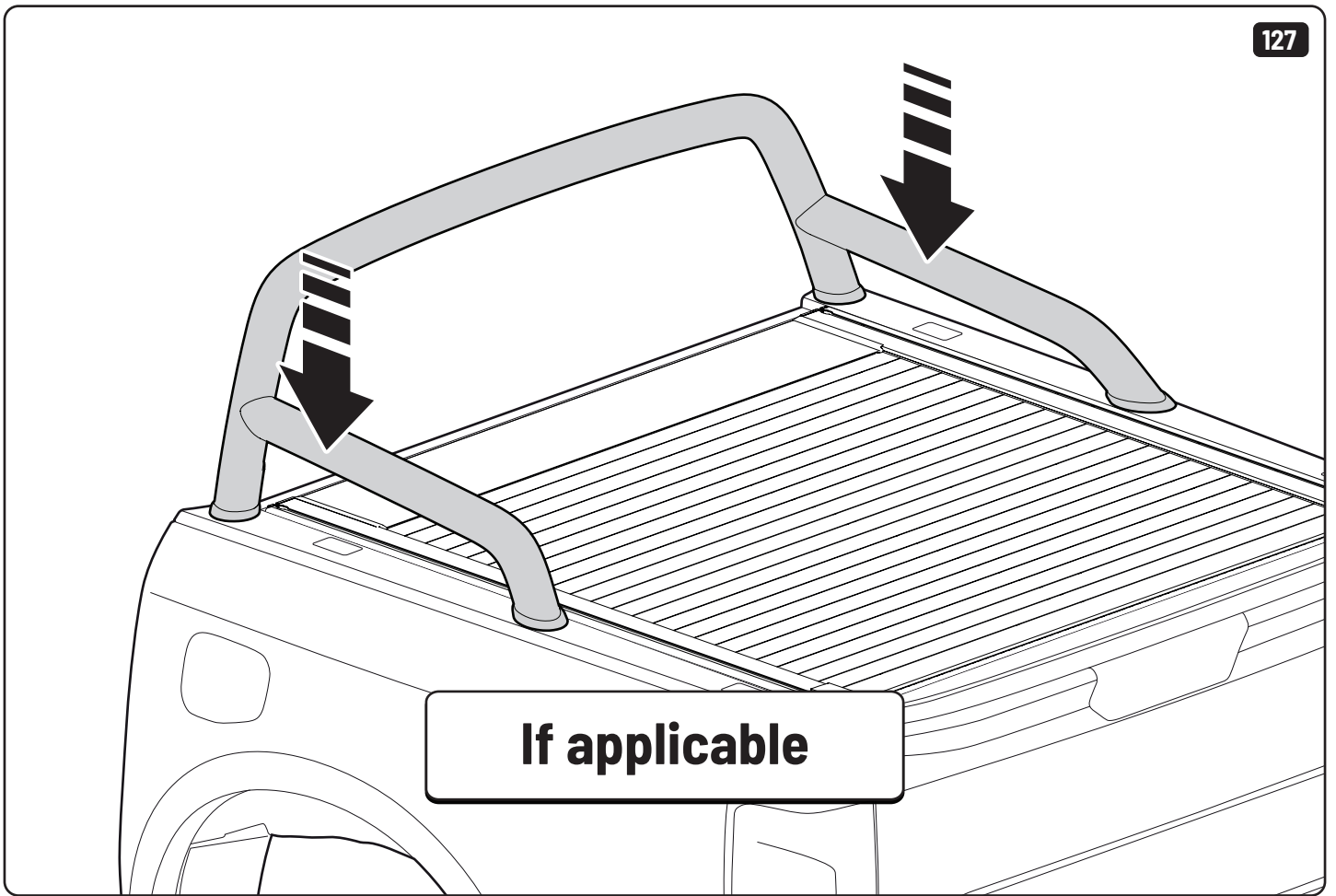
 Reset

125



126





If applicable



Steps	Page	Done by
Mounting gliding rail in canister	18-19	
Holes for drain	33-36 / 38-42	
Width + Cross measurement	69+70	
Tightening bracket screws	69-71	
Mounting drain	73+74-76 / 77	
Calibrate EVOe	78-79	



Customer Service +45 4810 2950 (08:00 - 16:00 CET)
Support info@mountaintop.dk
Website www.mountaintop.dk
Address Pedersholmparken 10, 3600 Frederikssund, Denmark

Part number (s)	Model / Year	Cab type (s)	Installation time	Weight
EVOe FO10 HB02	Ford Ranger/ 2022 ->	Double Cab	2 hour (s)	33 kg
EVOe FO11 HB02	Ford Ranger/ 2022 ->	Rap Cab	2 hour (s)	40 kg

GB Installation manual	S Monteringsanvisning	D Einbauanleitung
SF Asennusohje	E Instrucciones de montaje	CZ Návod k instalaci
F Notice de montage	H Szerelési utasítás	I Istruzioni di montaggio
PL Instrukcja montażu	P Instruções de instalação	GR Οδηγίες Εγκατάστασης
NL Installatie-instructies	RUS Инструкция по установке	DK Monteringsvejledning
TR Montaj Talimatı	N Monteringsveiledning	RO Instructiuni de instalare