

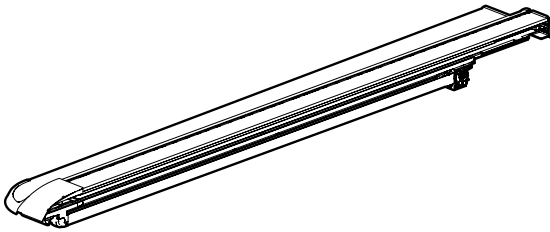
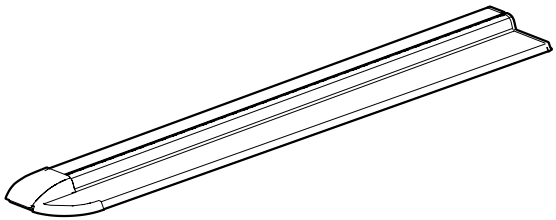
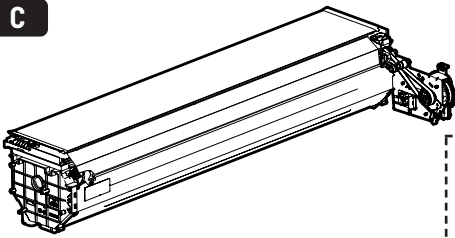
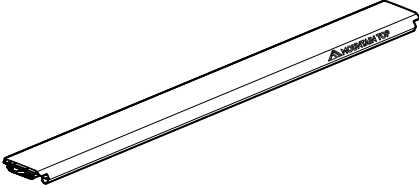


MOUNTAIN TOP® EVOe ROLL COVER

Installation manual

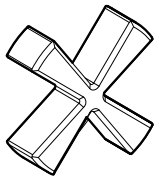
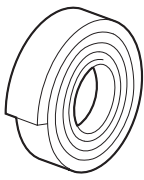
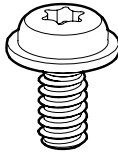
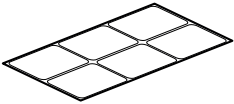
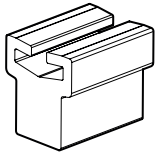
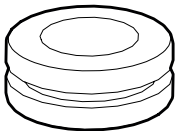
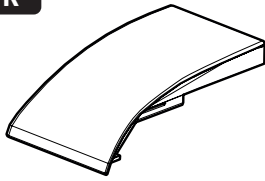
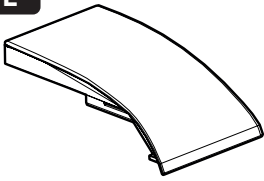
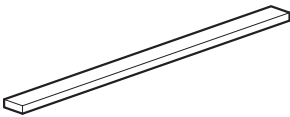
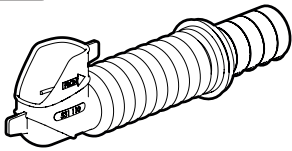
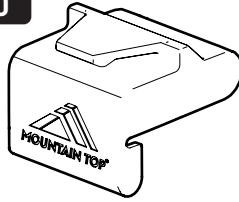
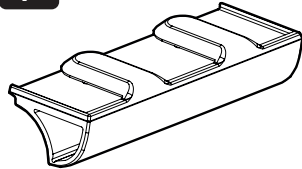


DOWNLOAD PDF

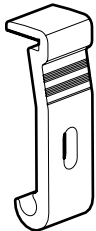
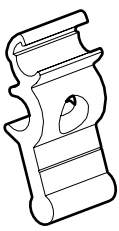
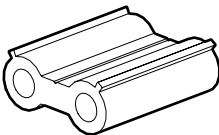
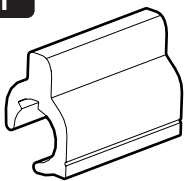
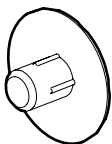
Parts

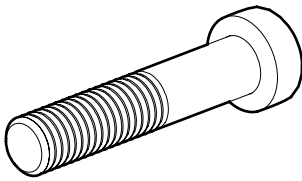
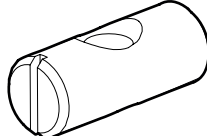

A		x1	B		x1	
C		x1	D		x1	
	K2		x2	L2		x1

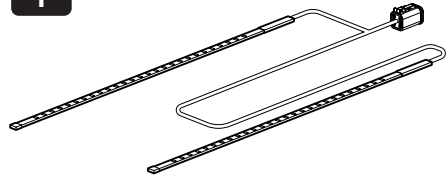
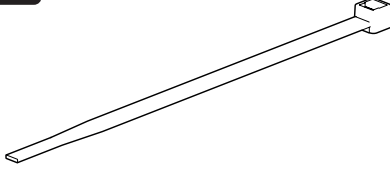
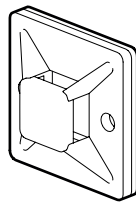
Kit

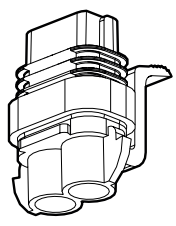

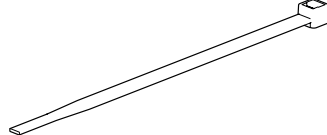
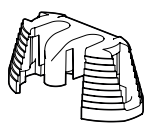
E		x2	F		x1	G		x5	H		x1
I		x5	J		x1	K		x1	L		x1
M		x2	N		x2	O		x2	P		x2

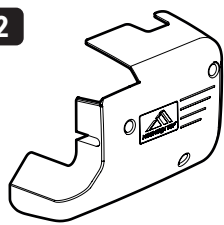
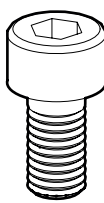
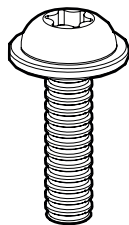
Kit

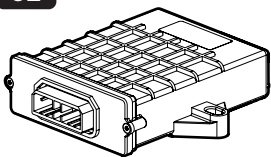
Q		x6	R		x6	S		x6	T		x6	U		x24
----------	---	----	----------	---	----	----------	---	----	----------	---	----	----------	---	-----



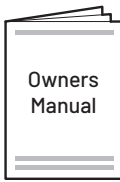
Kit		
V  x6	W  x6	X  x6

Kit		
Y  x1	A2  x6	B2  x6

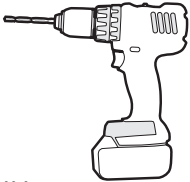
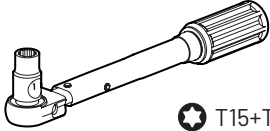


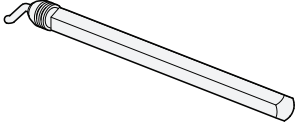
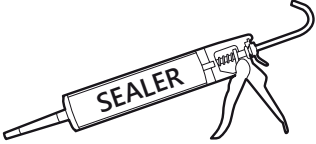
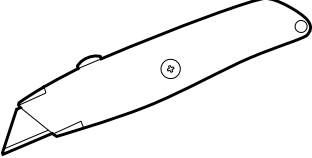
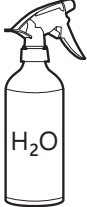
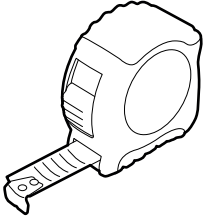
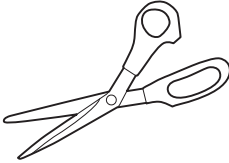
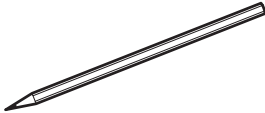

Power supply kit			
C2  x1	D2  x1	E2  x10	F2  x1

Kit		
G2  x1	H2  x3	I2  x2

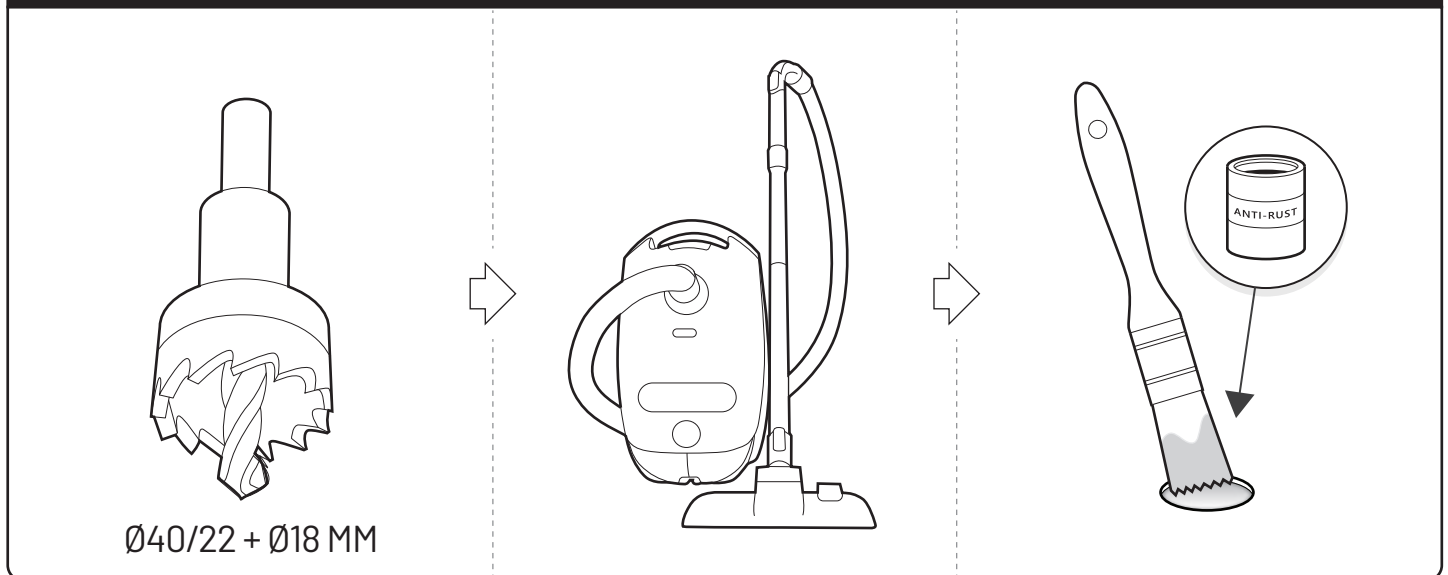
Kit
J2  x1

Kit		
 Manual x1	 TÜV x1	 Owners Manual x1

Tools needed

 Ø3.5MM	1 - 25 Nm  T15+T30 4+5 mm	 Rust protection Rostschutzmittel Anti-rouille Anti roest	 Silicone Spray
	 SEALER		 H ₂ O
			 LOCTITE 243

Applying rust protection



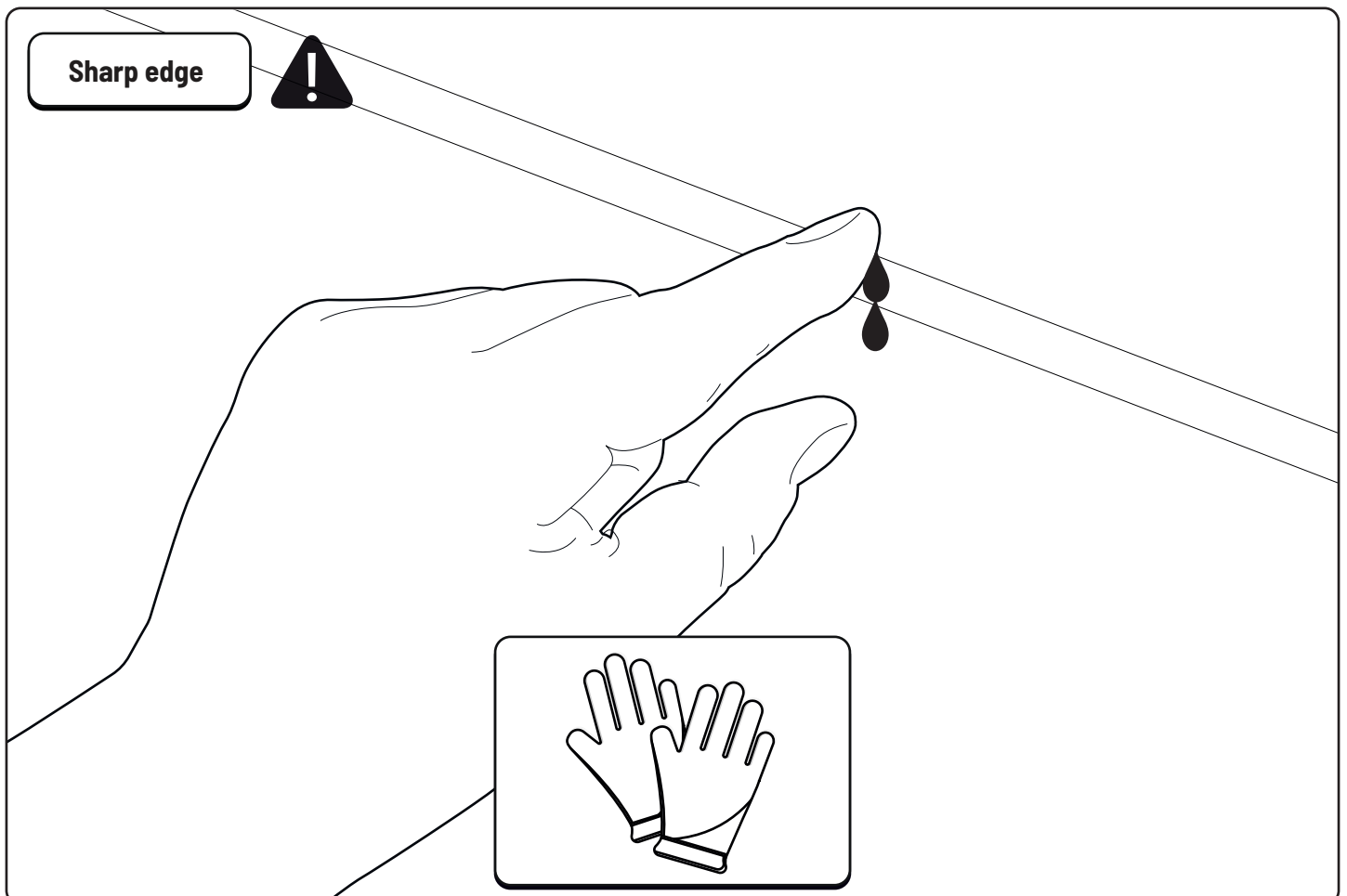


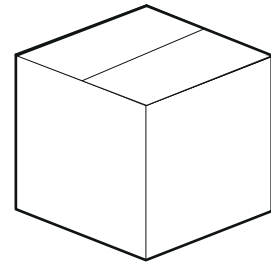
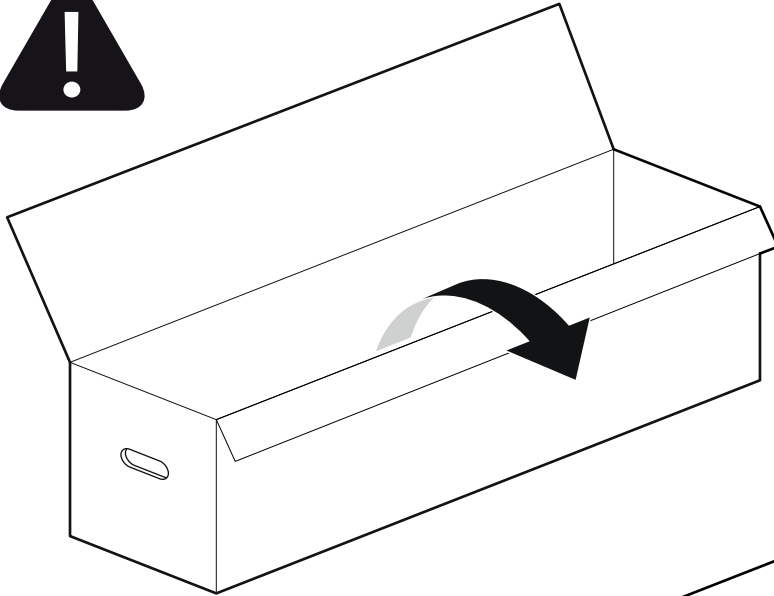
Also refer to VW manual **“Converters guidelines for the Amarok”** for general guidelines **“Add-on parts on the cargo box”**.

The side panels of the standard cargo box are not designed to support loads on the handrail.

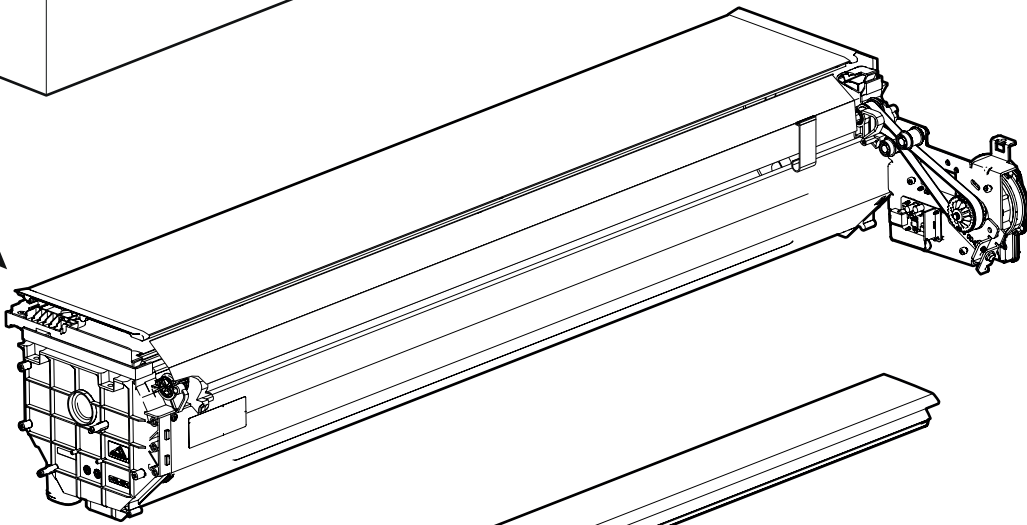
Remove all accessories from the truck bed that interferes with the roll cover before installing.

This includes cargo racks, bedliners, covers, cargo management systems etc.

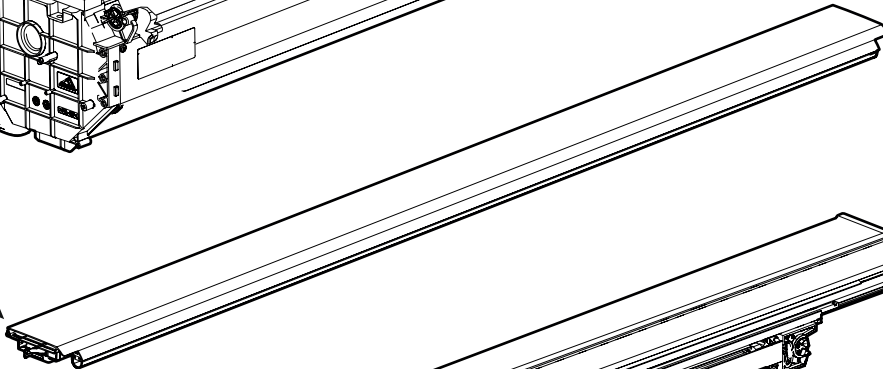




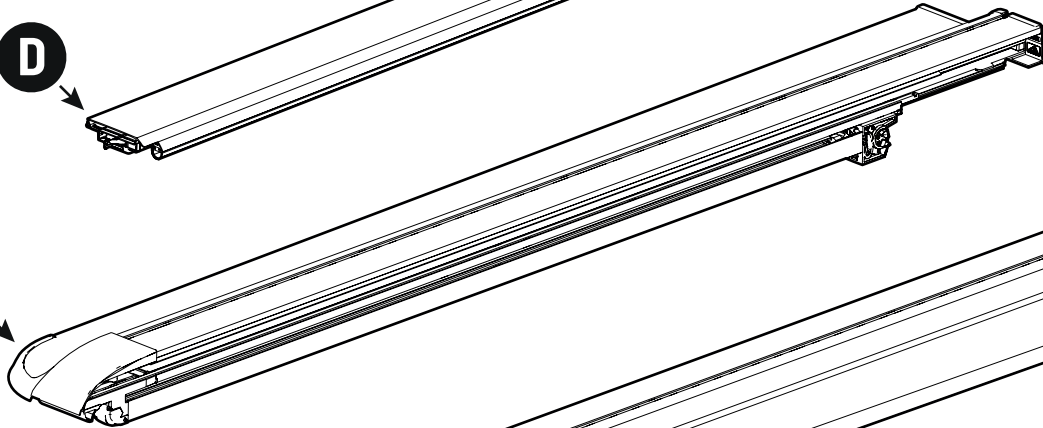
C



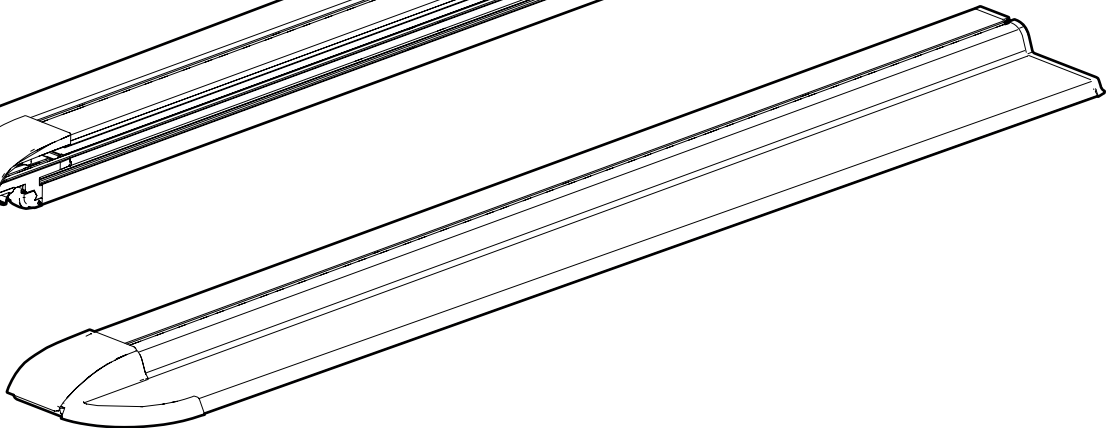
D

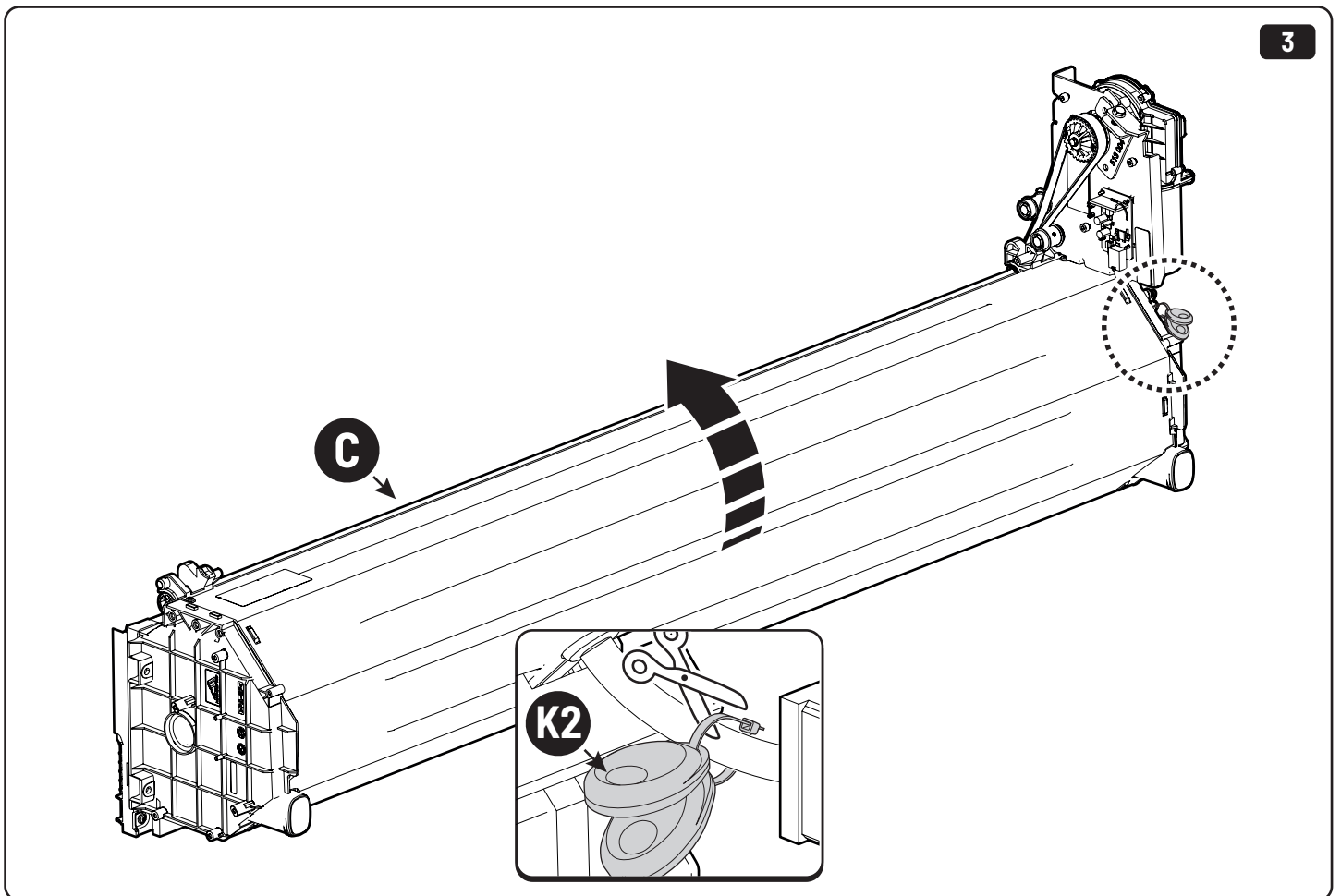
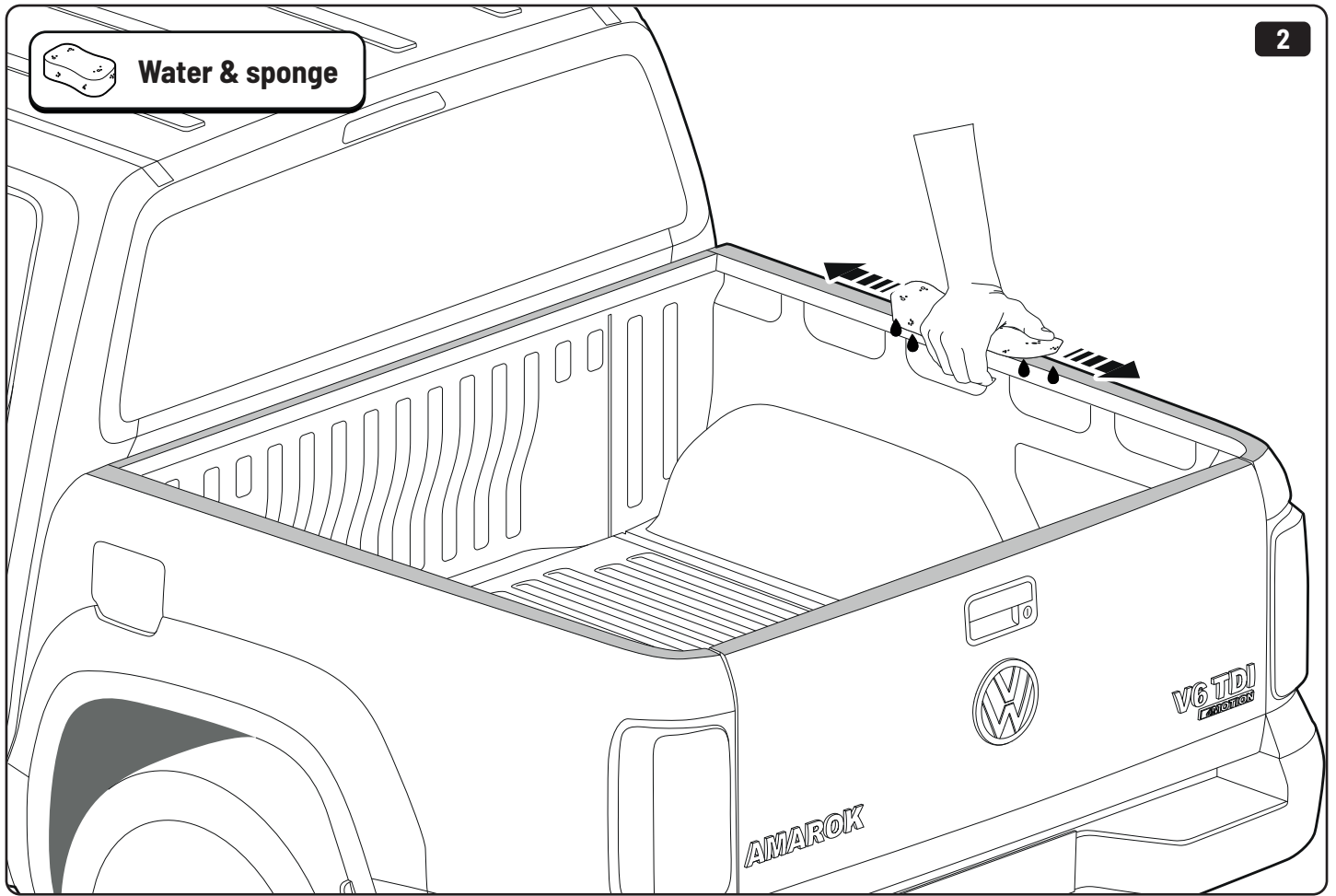


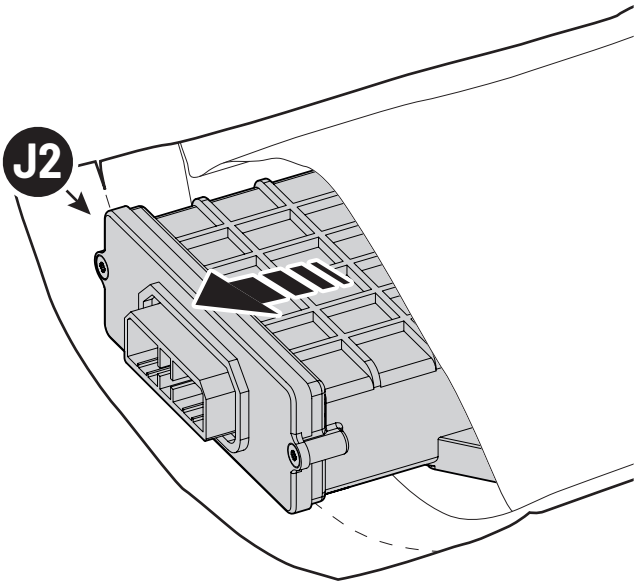
A



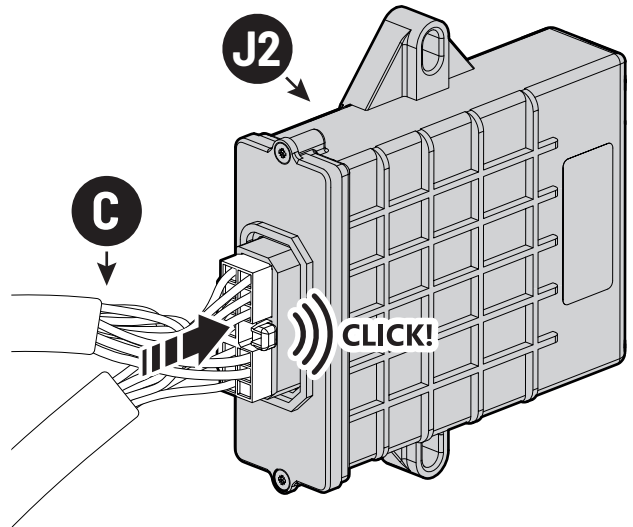
B





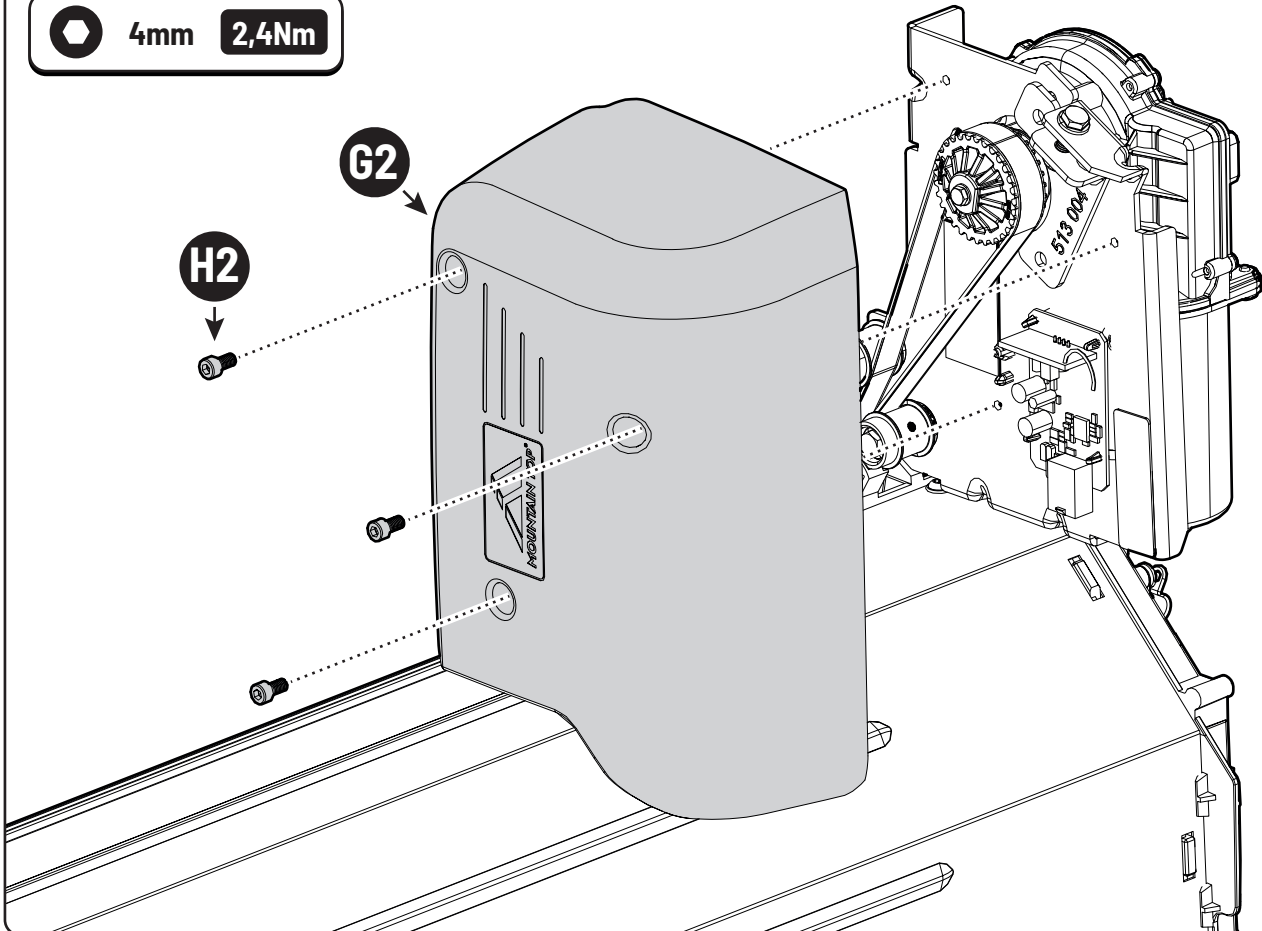


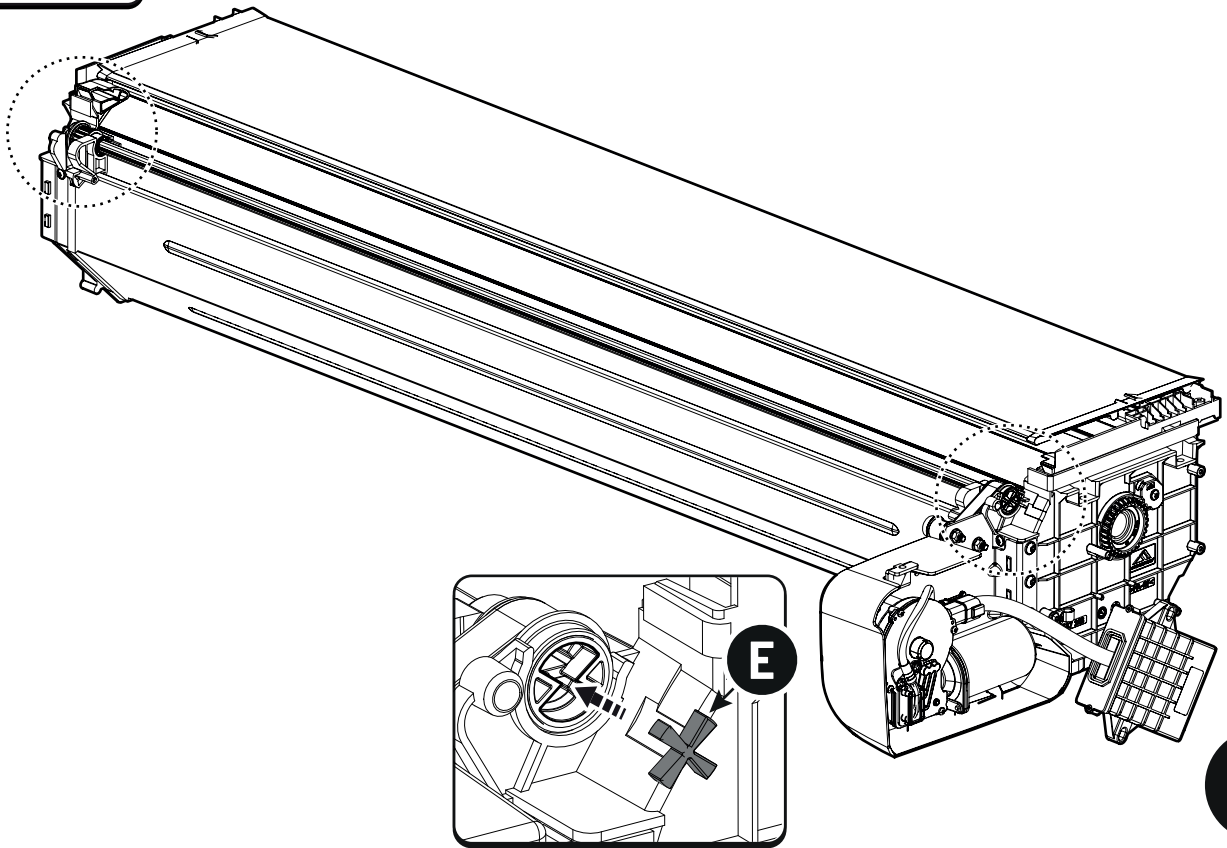
1



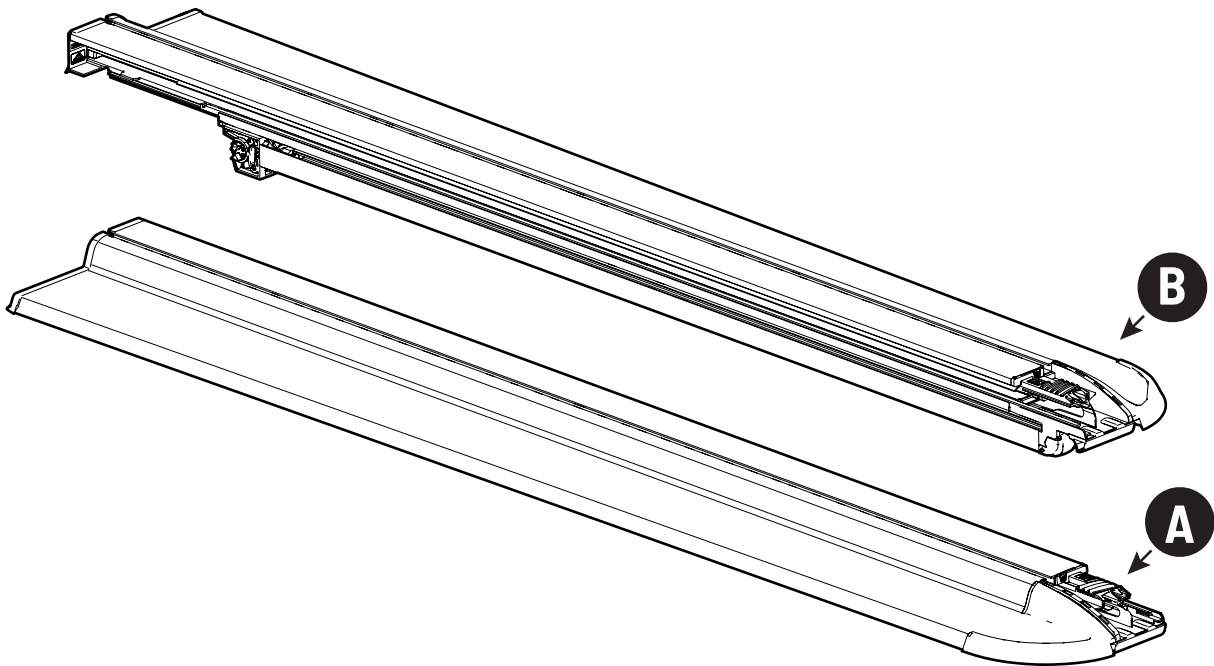
2

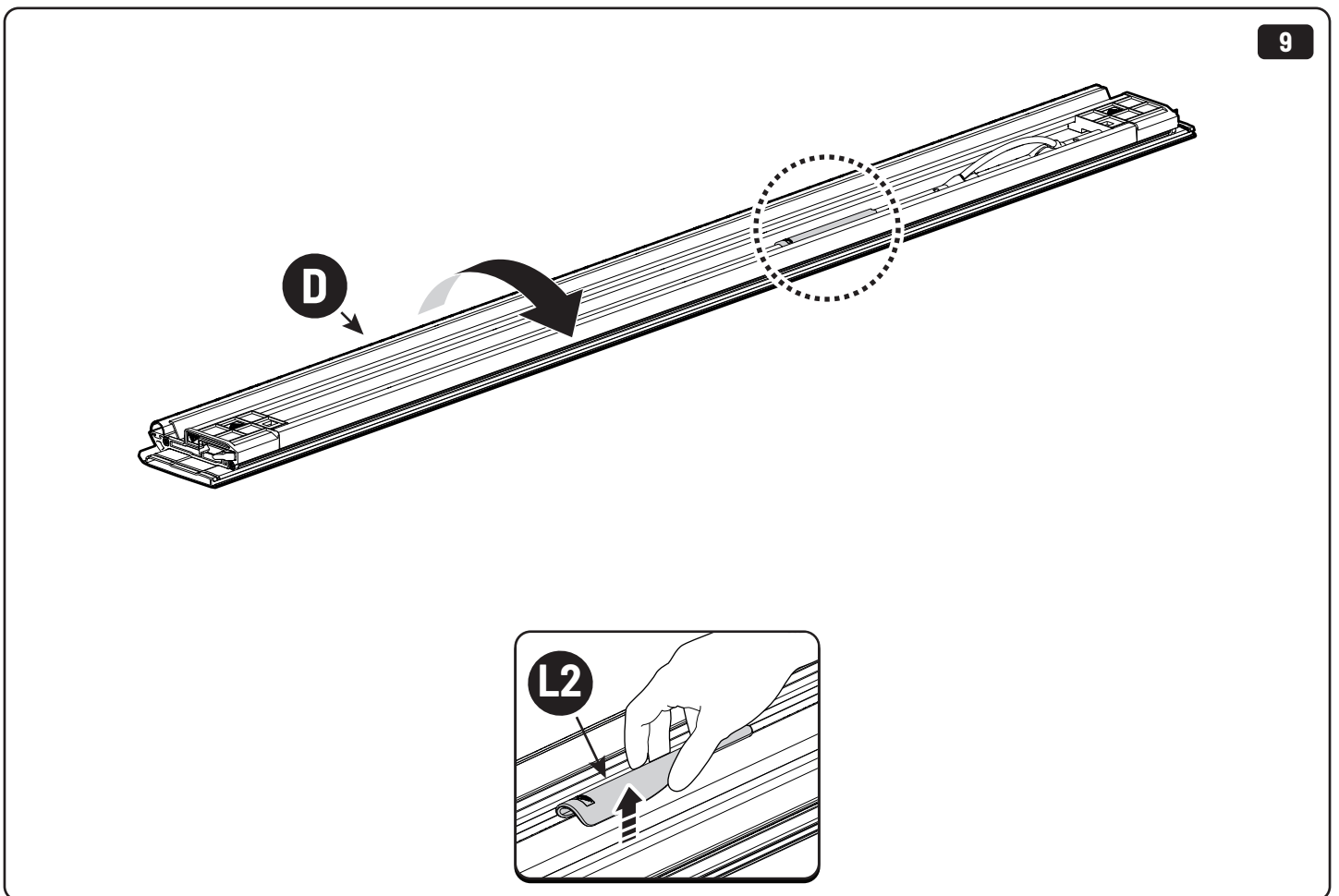
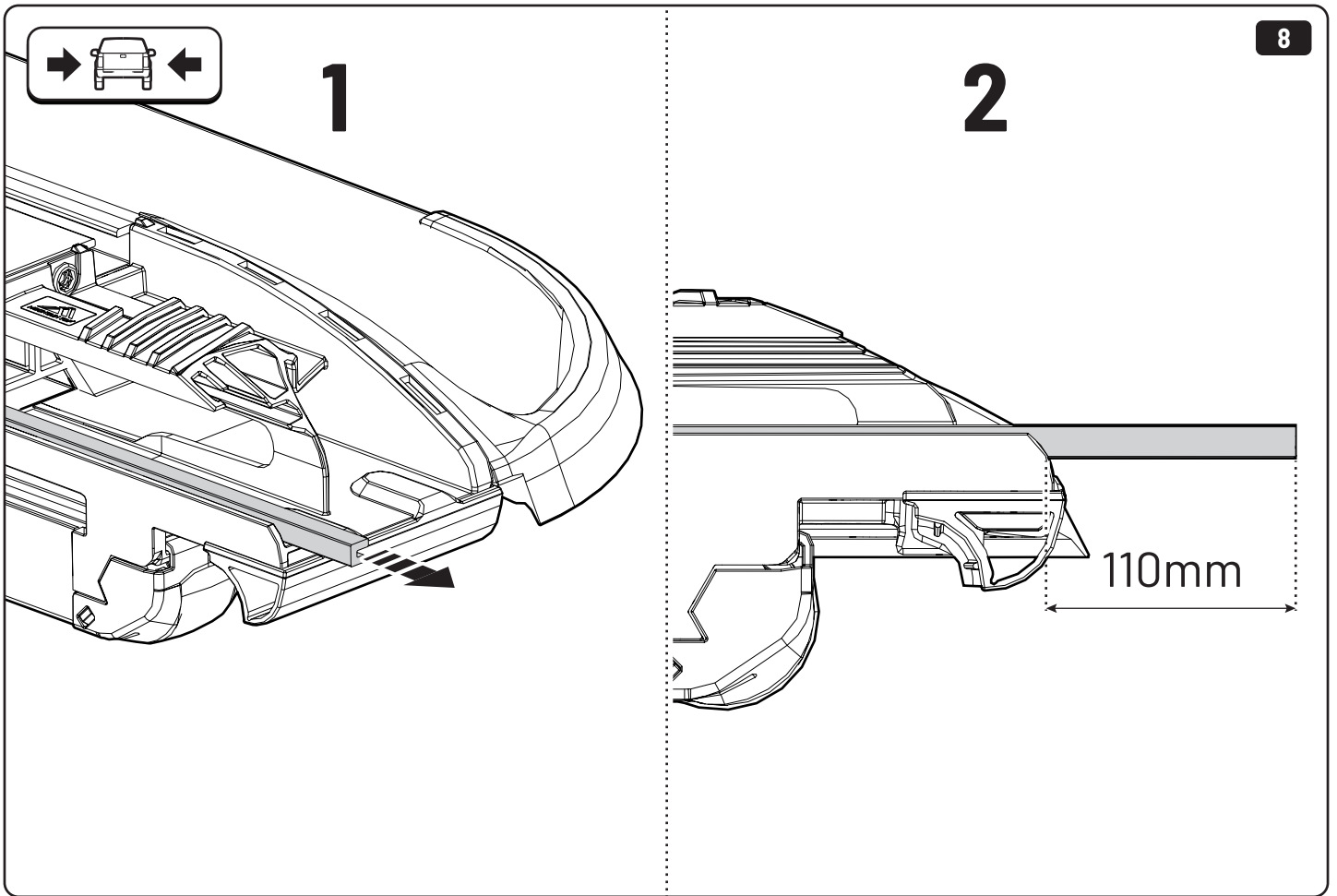
4mm 2,4Nm

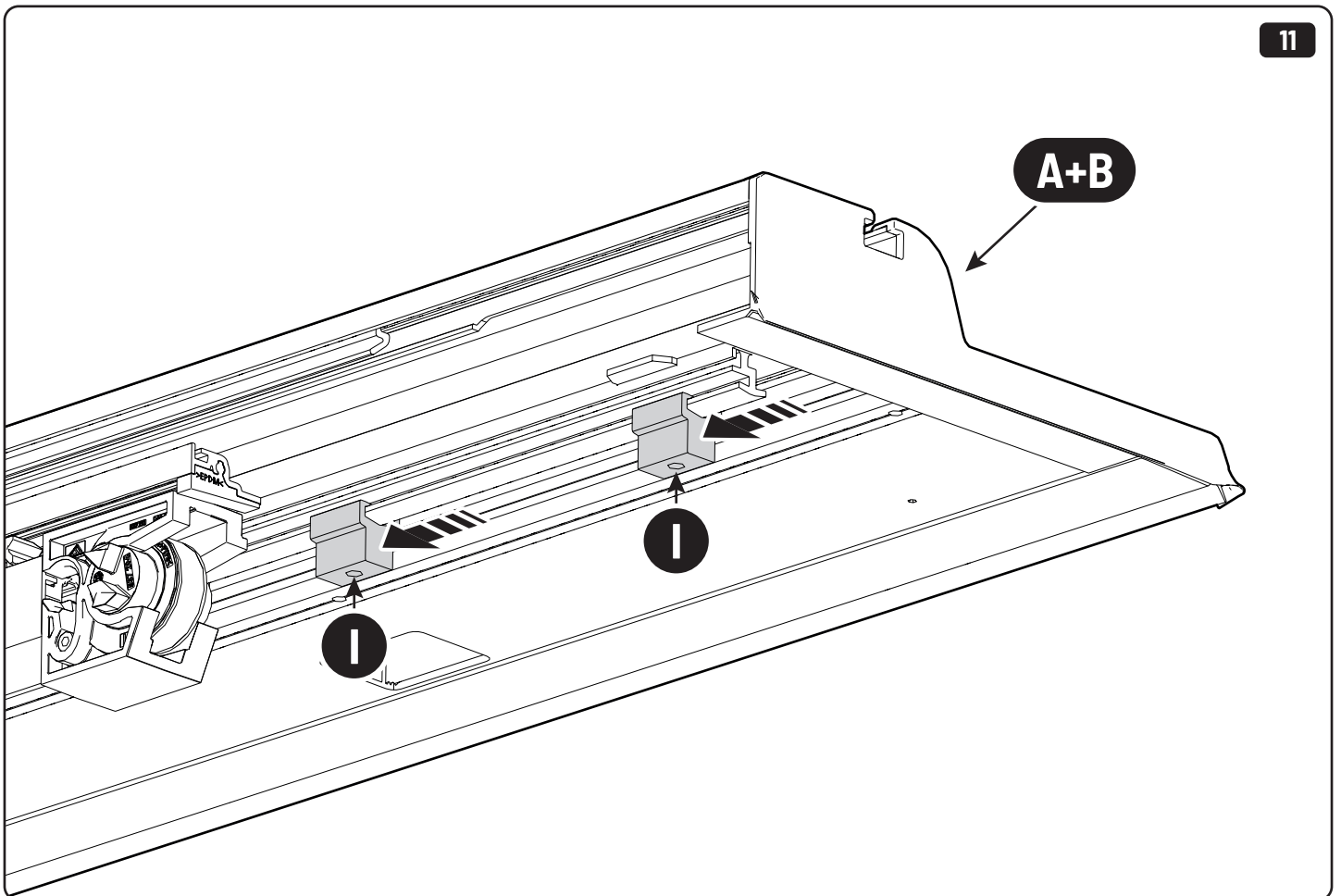
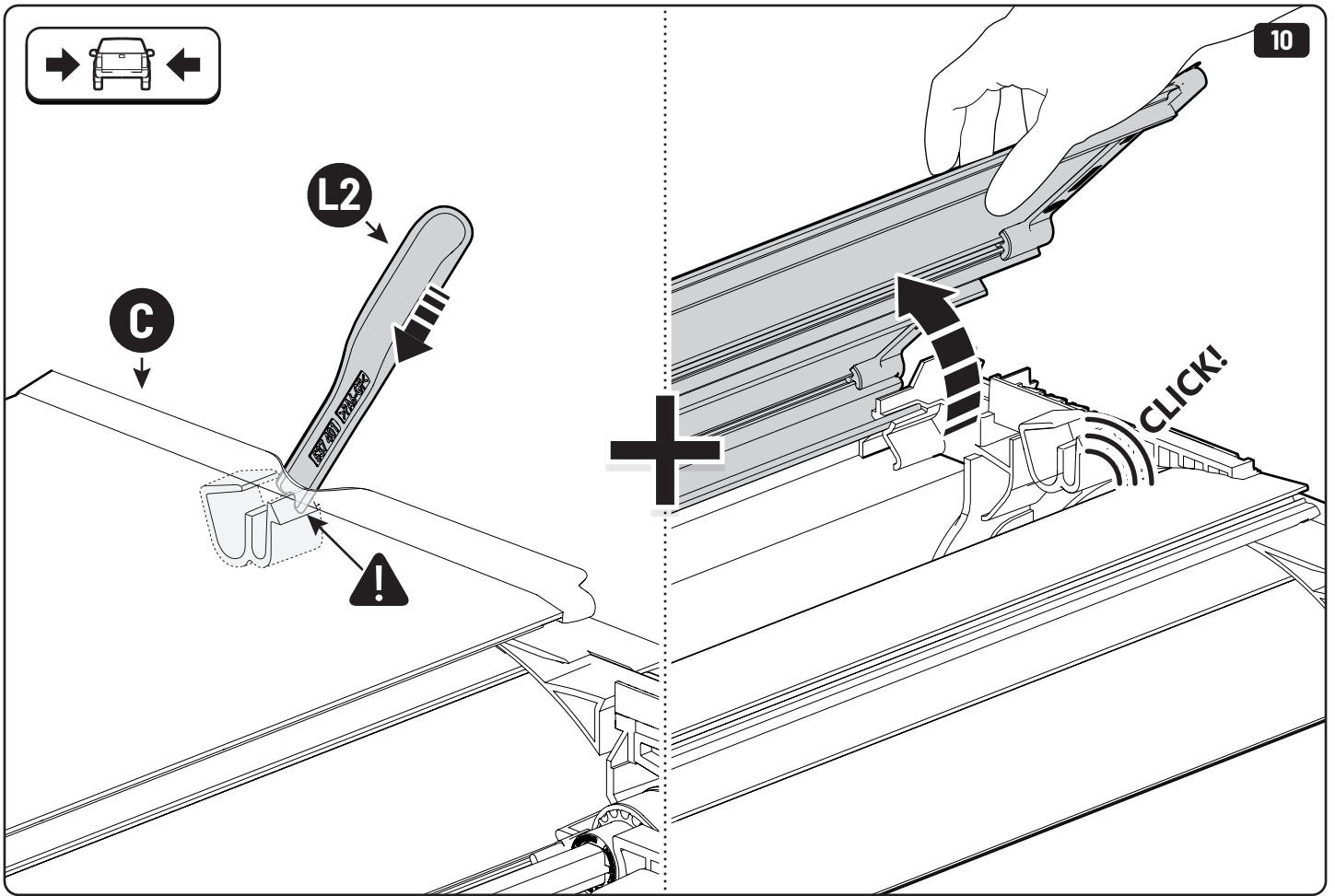


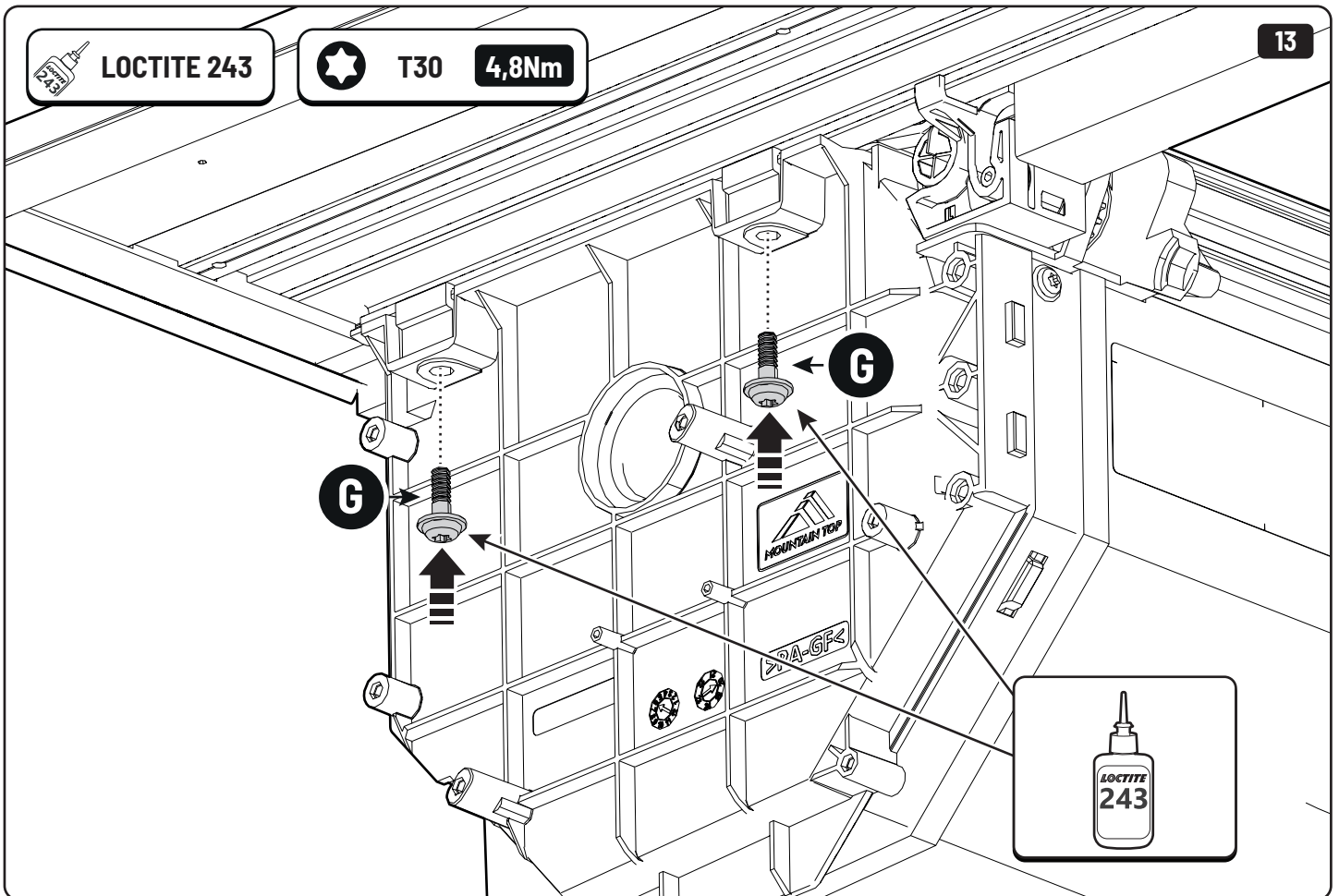
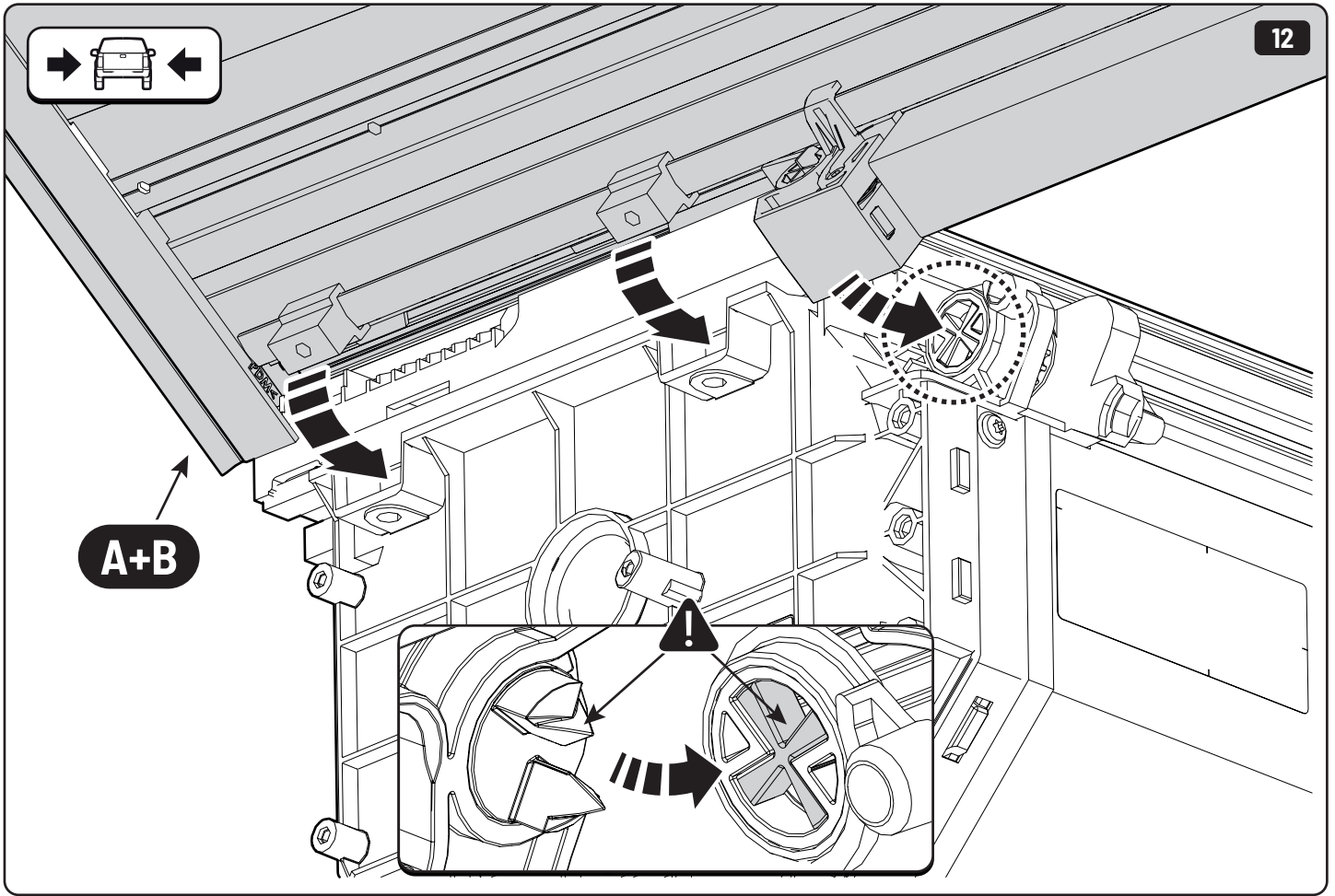


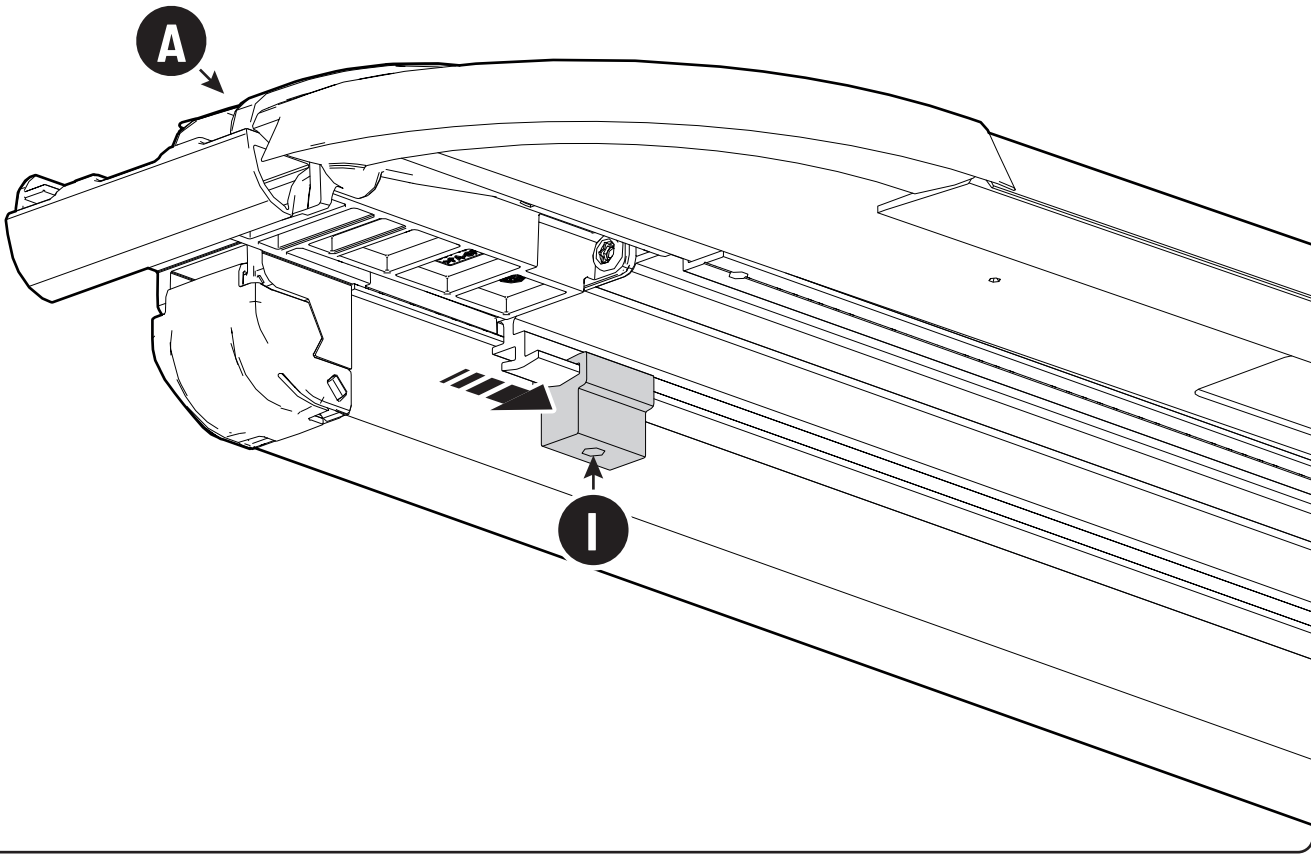
x2



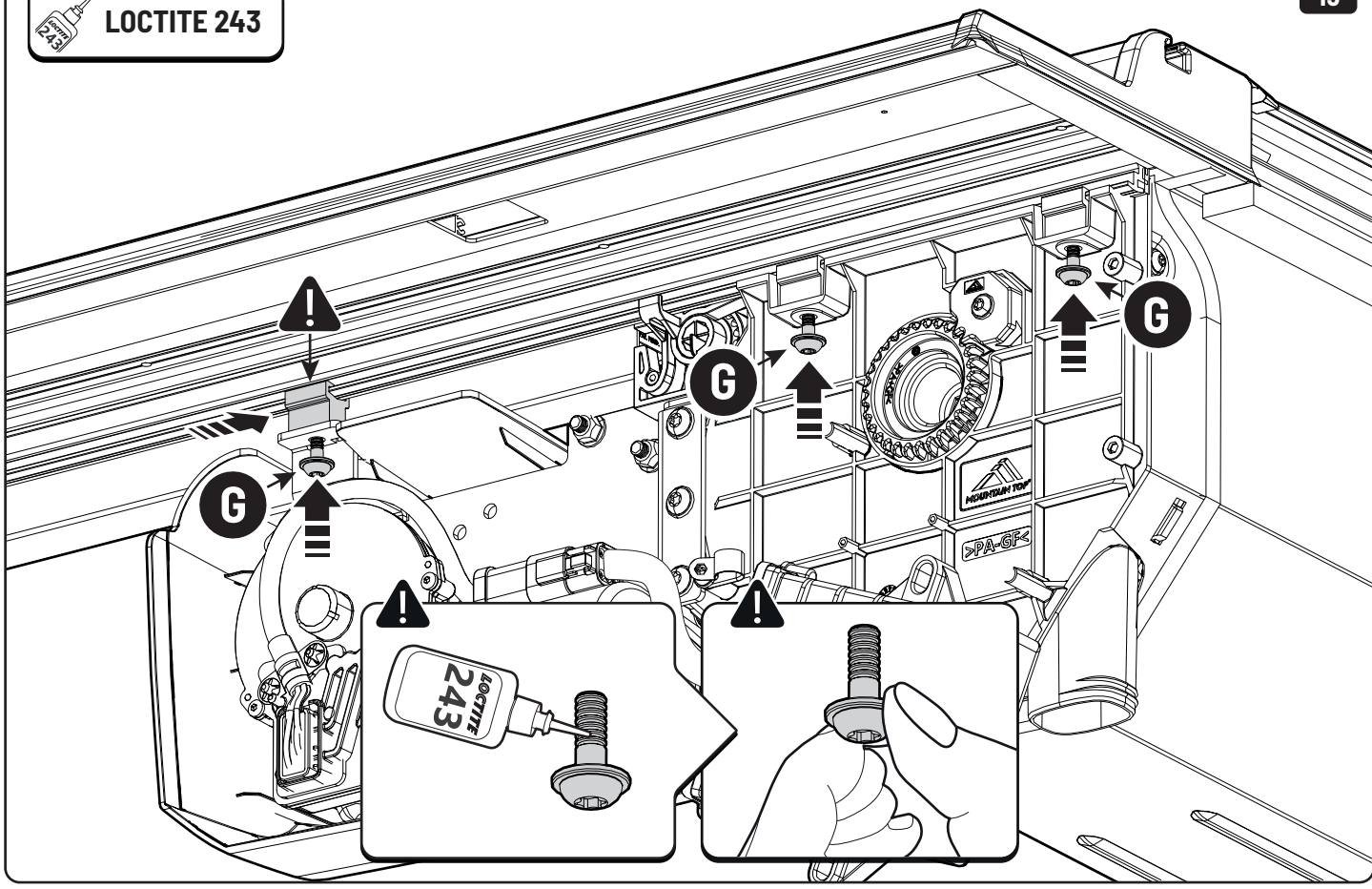








 **LOCTITE 243**

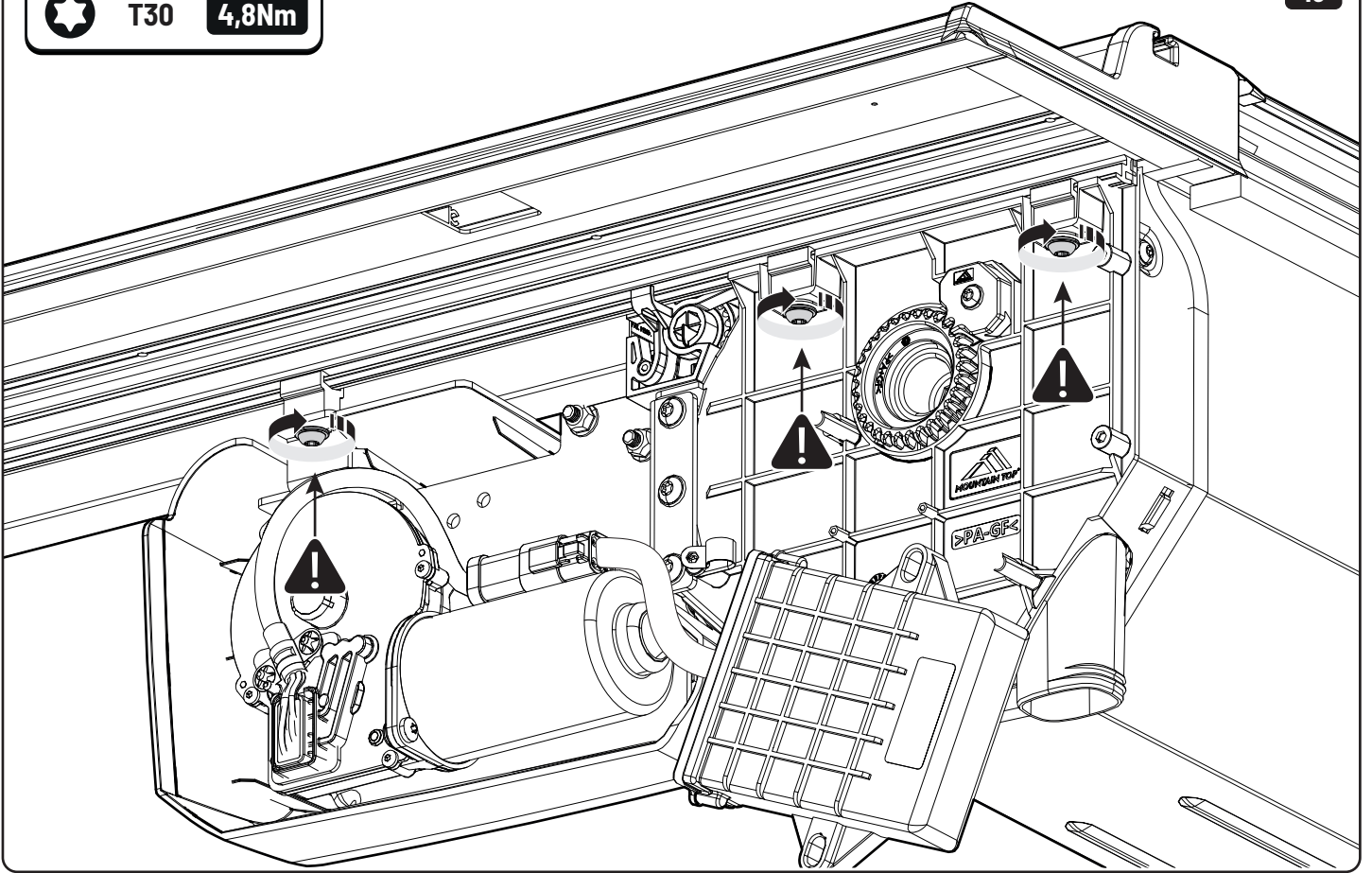




T30

4,8Nm

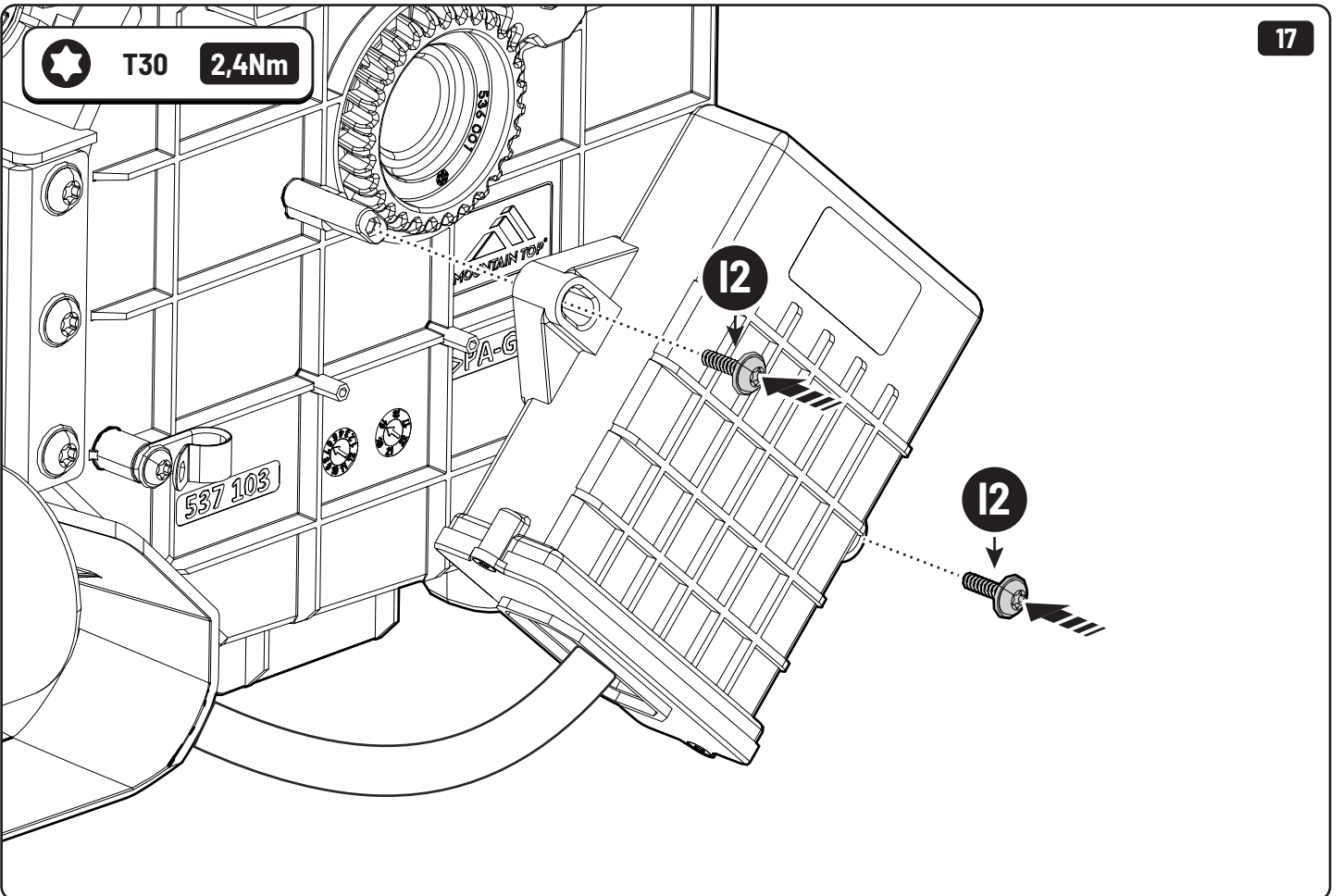
16

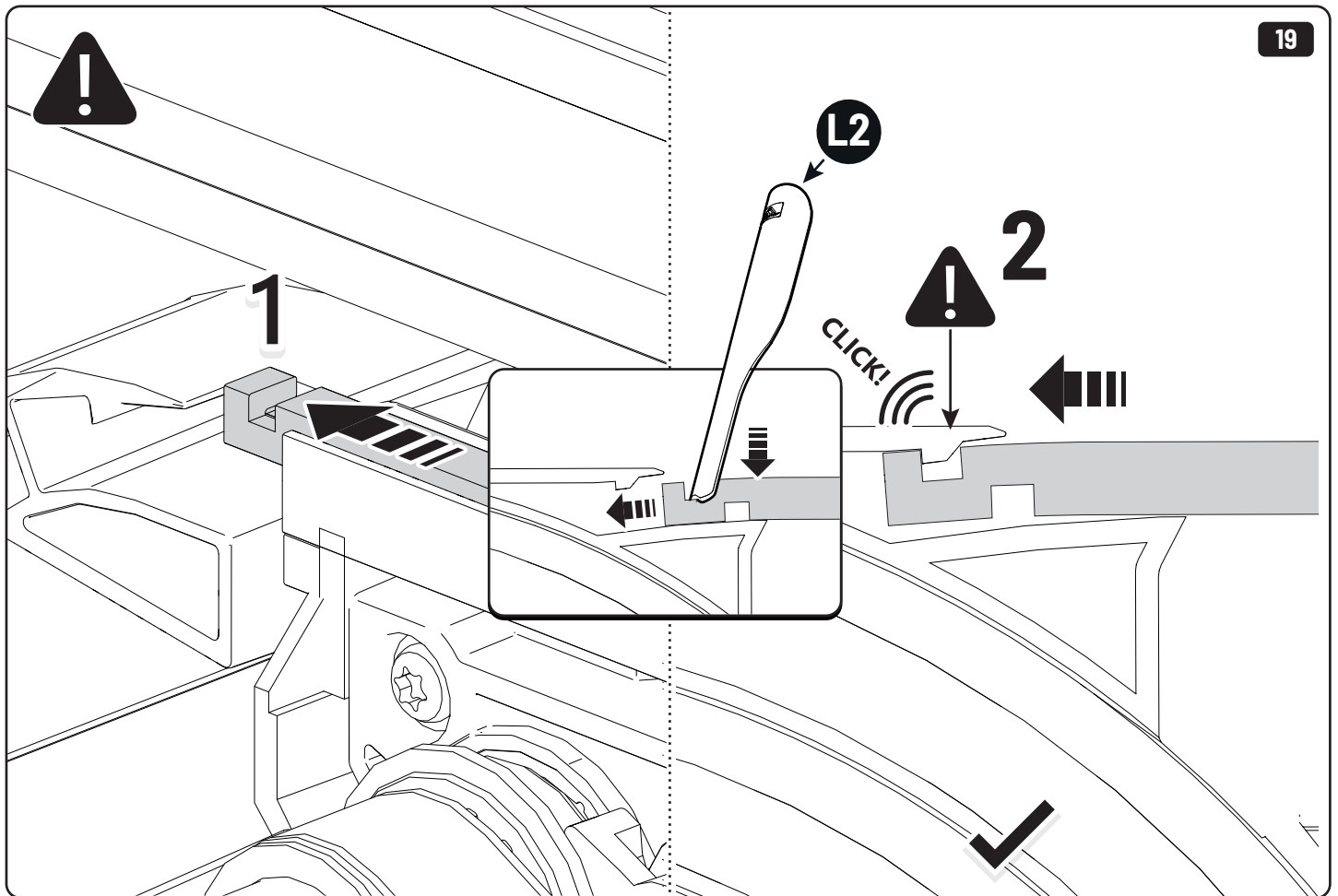
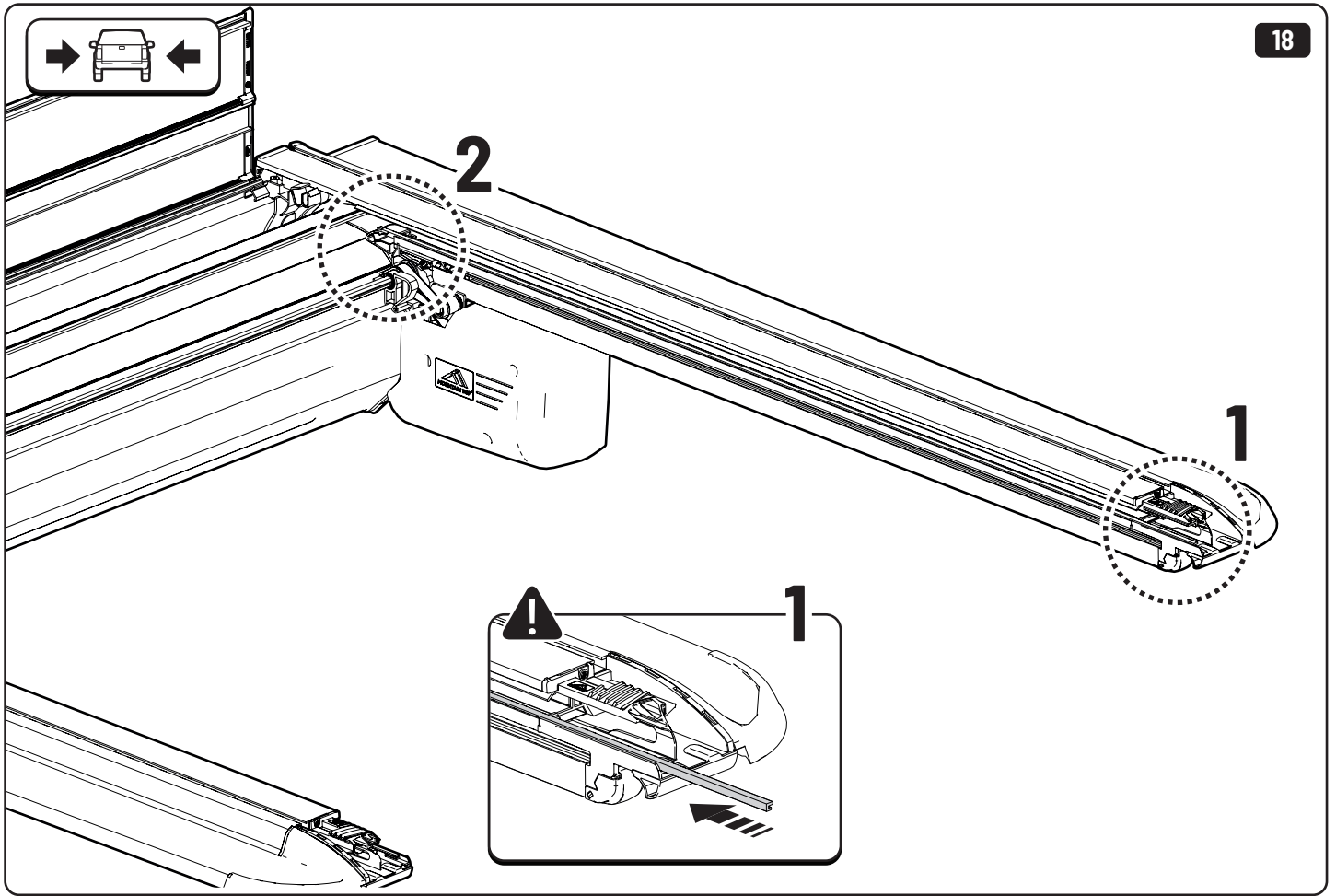


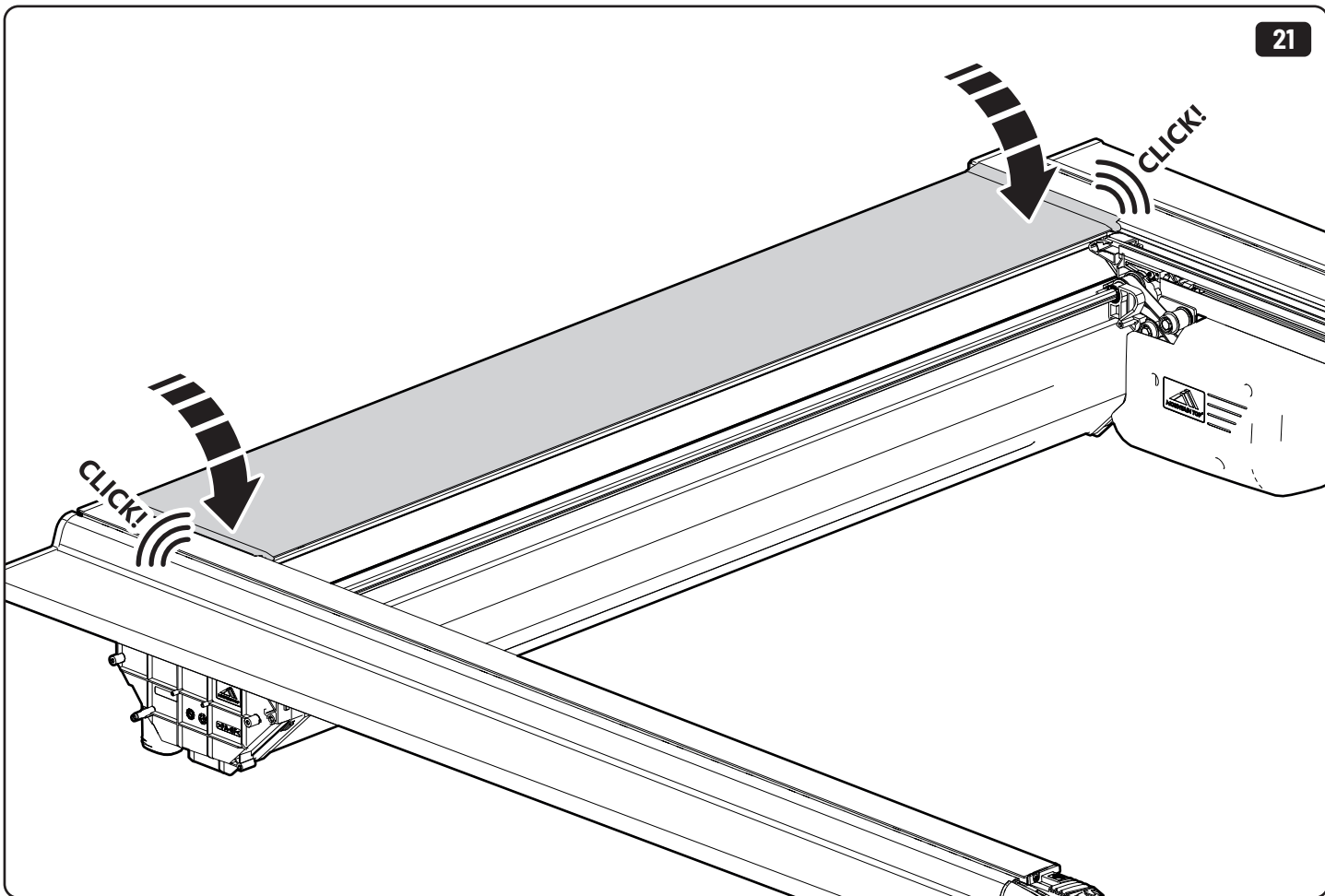
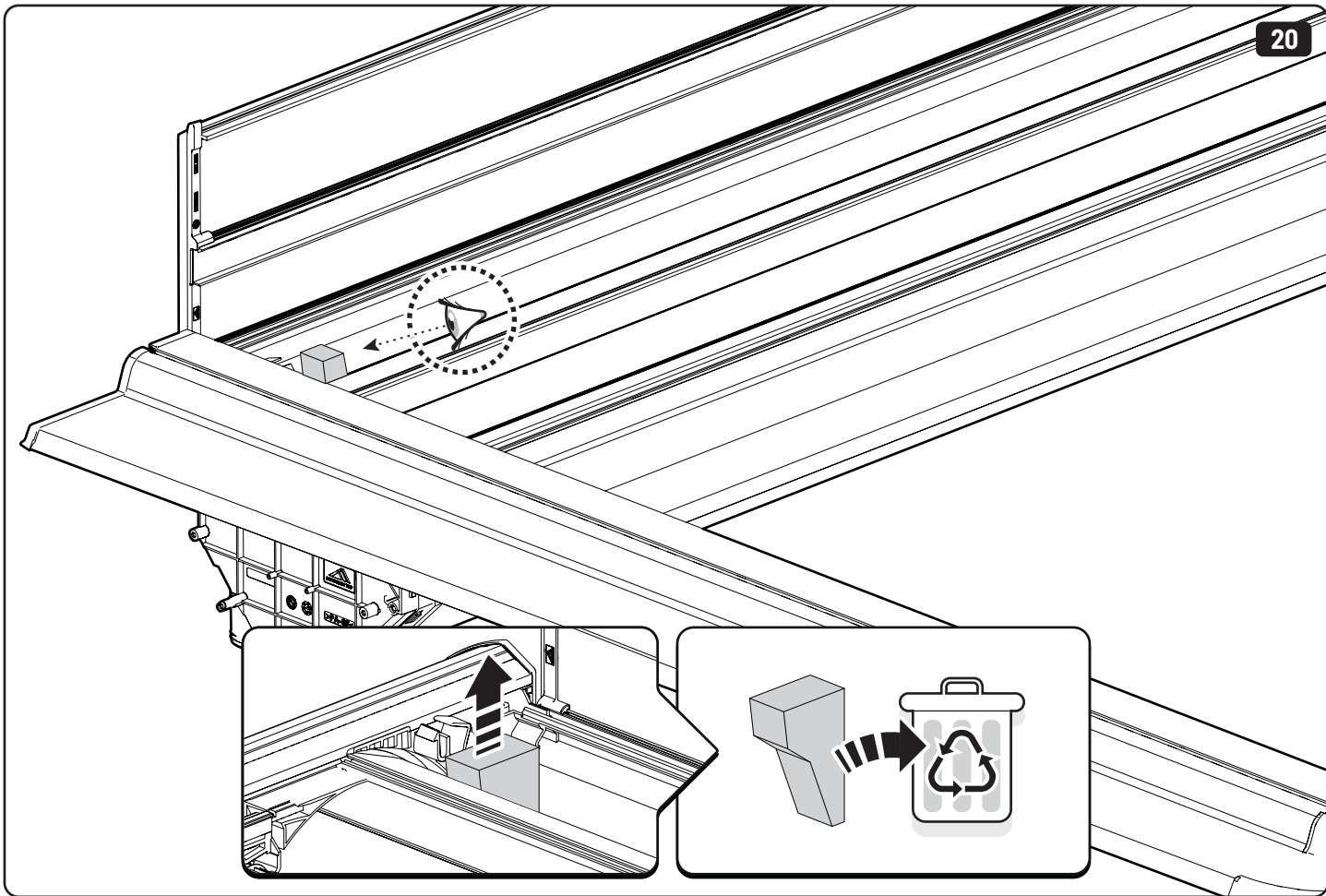
T30

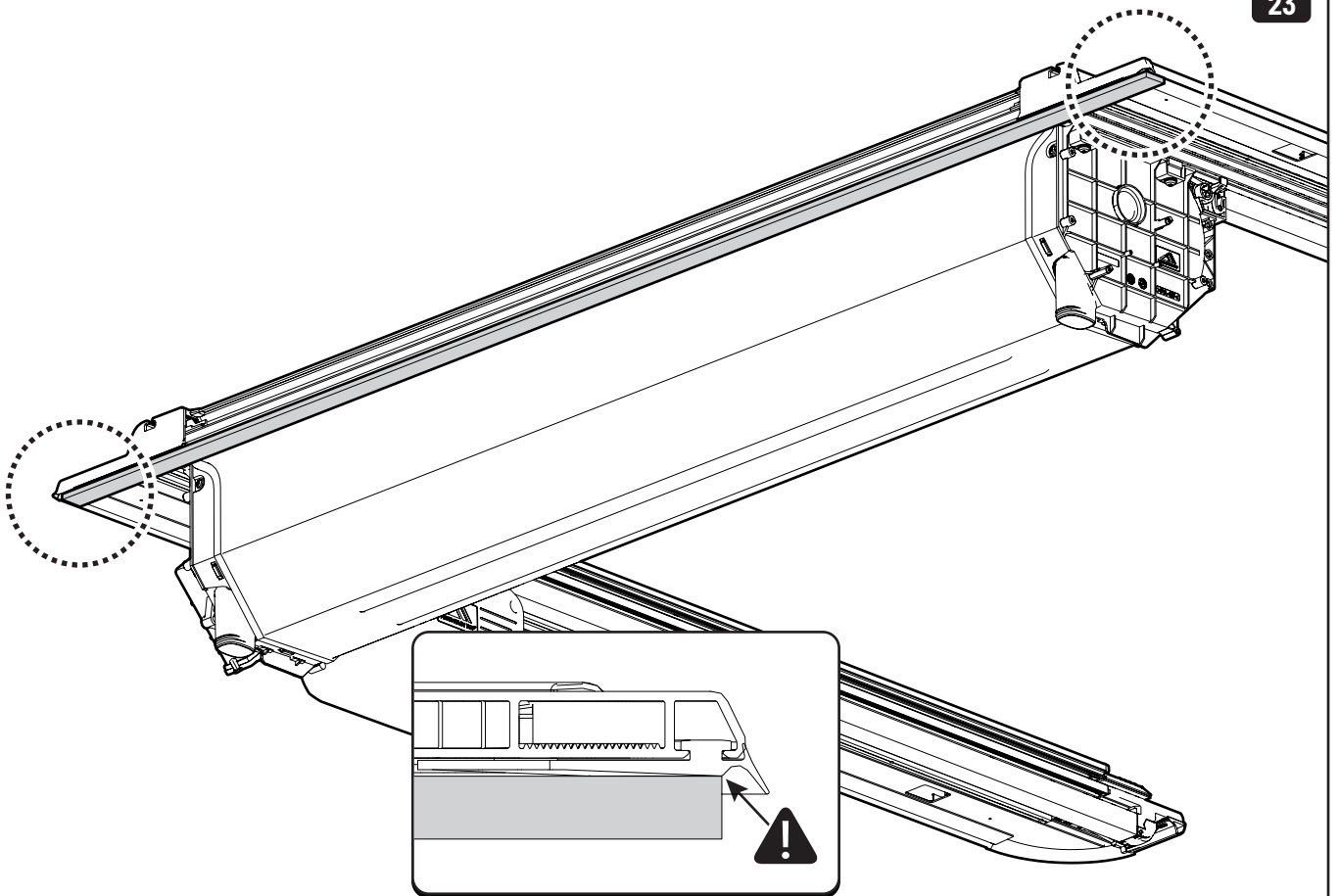
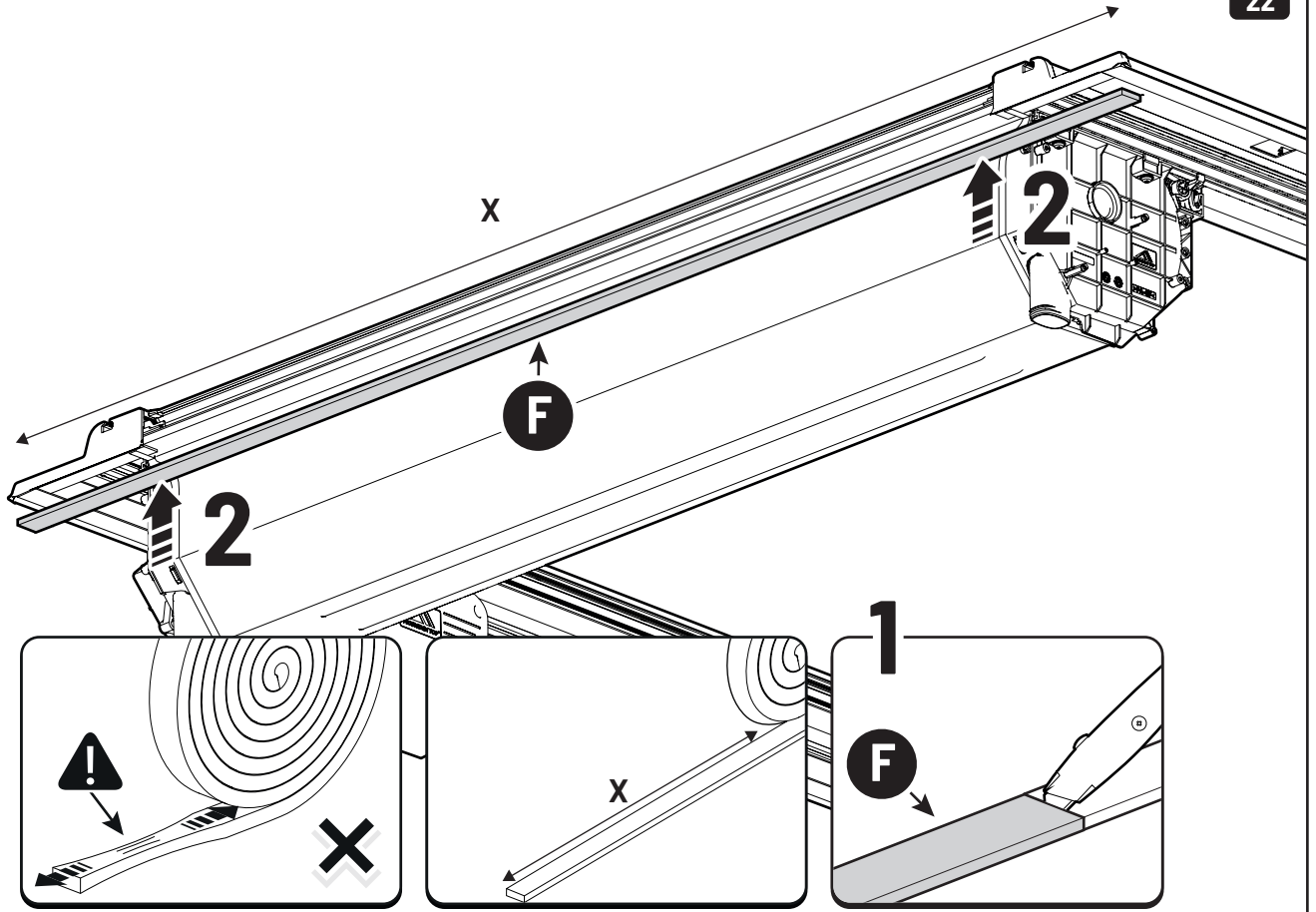
2,4Nm

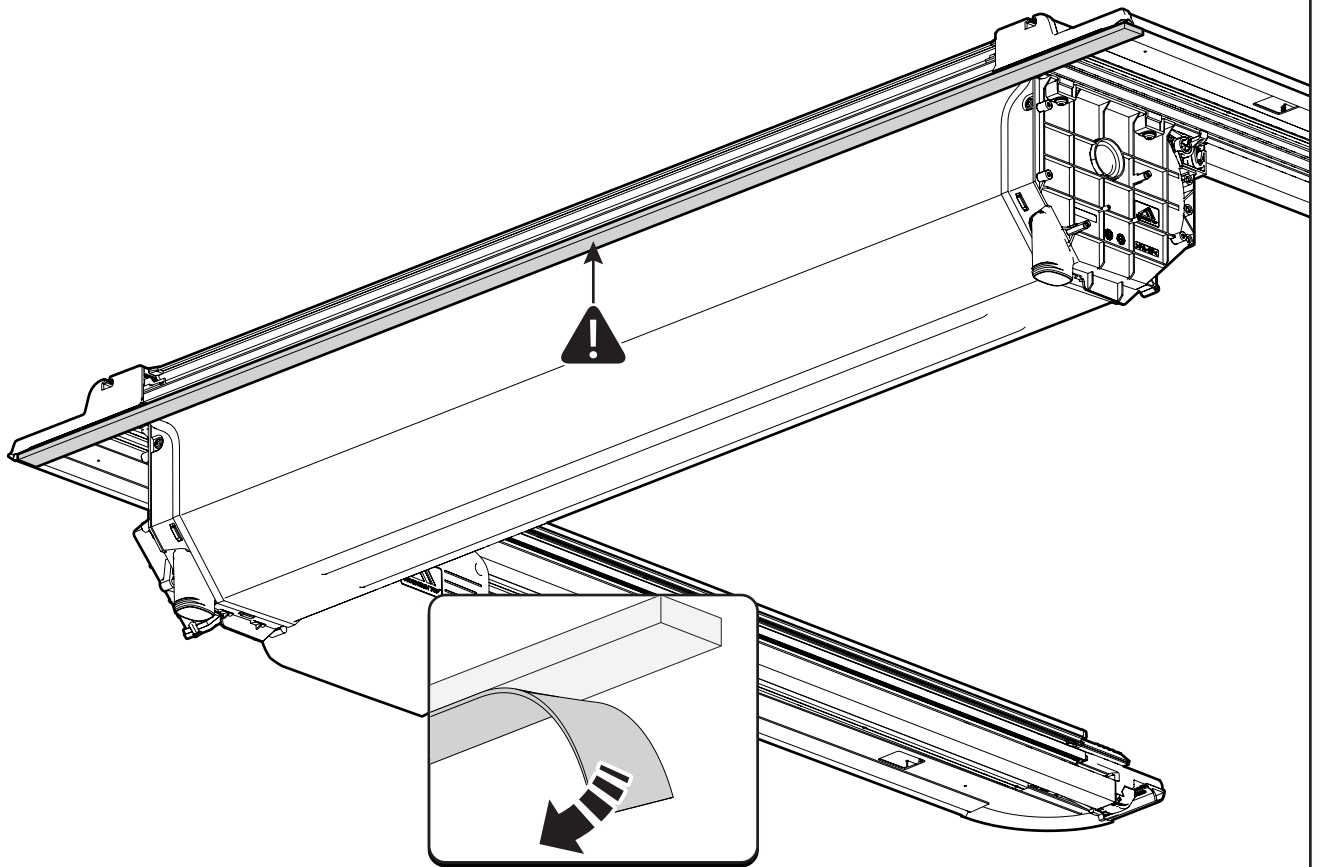
17

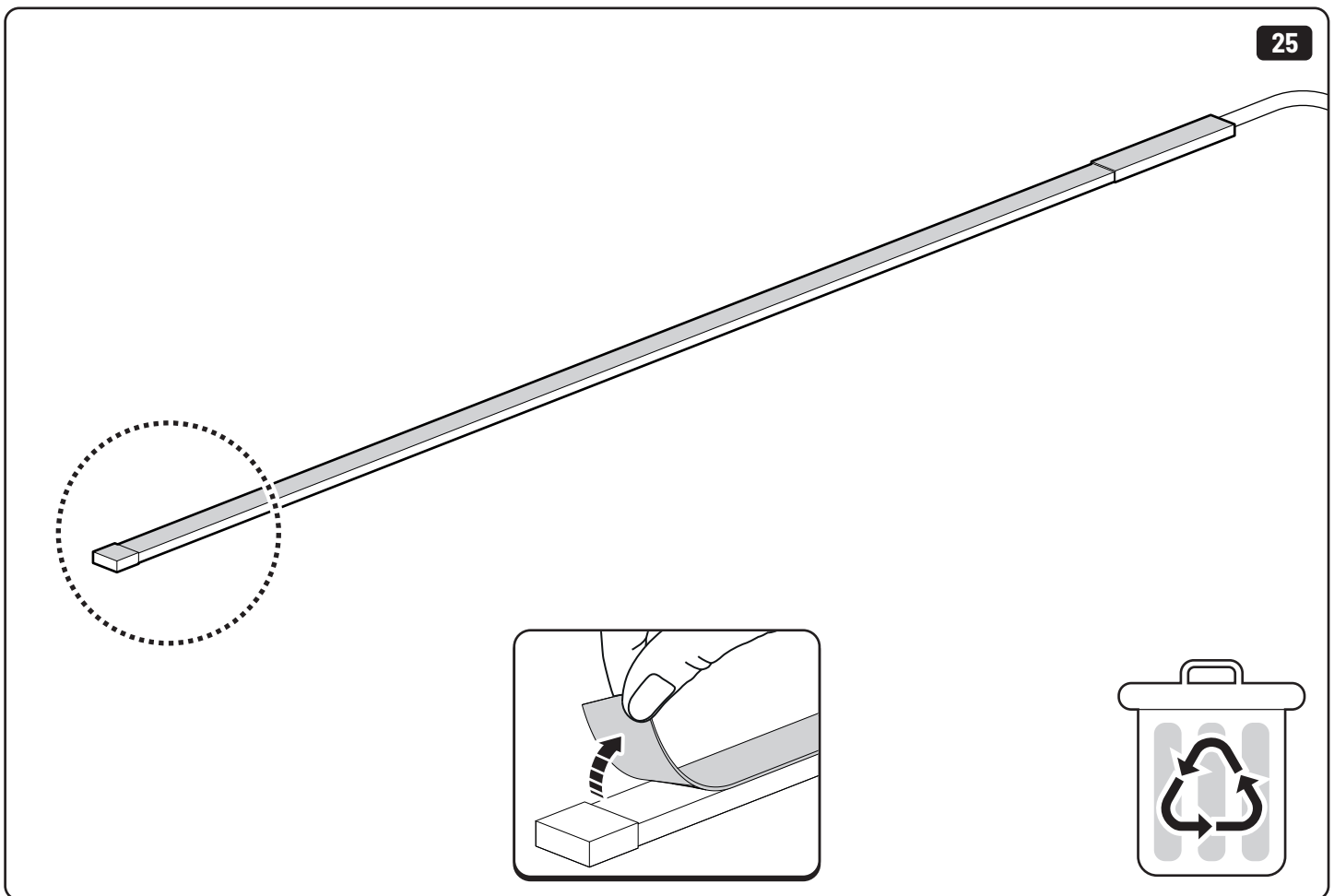
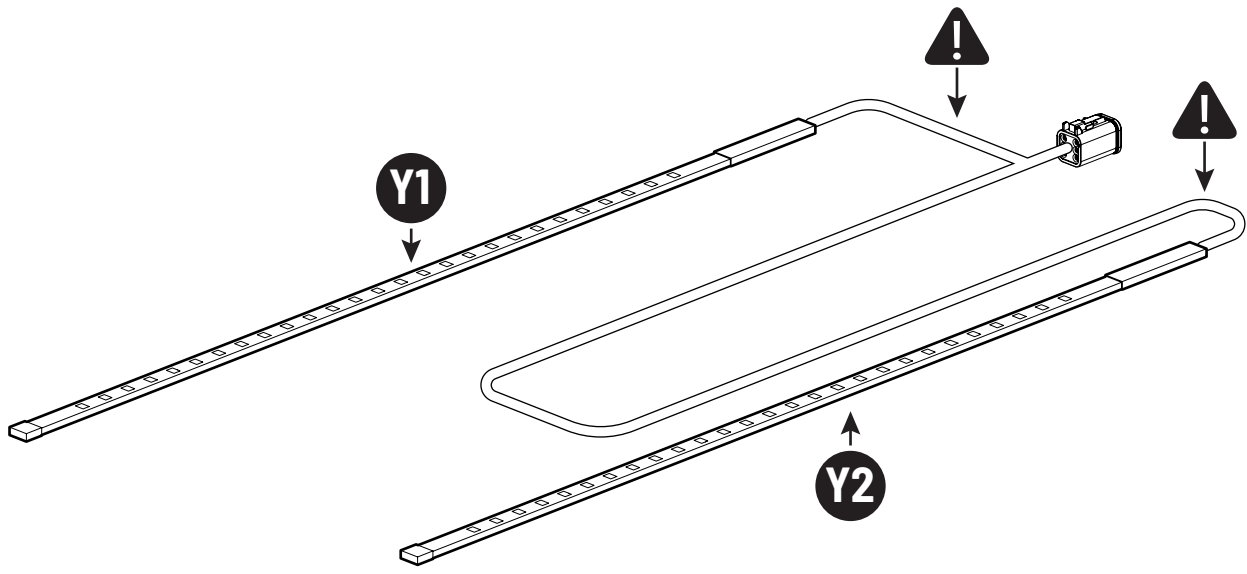


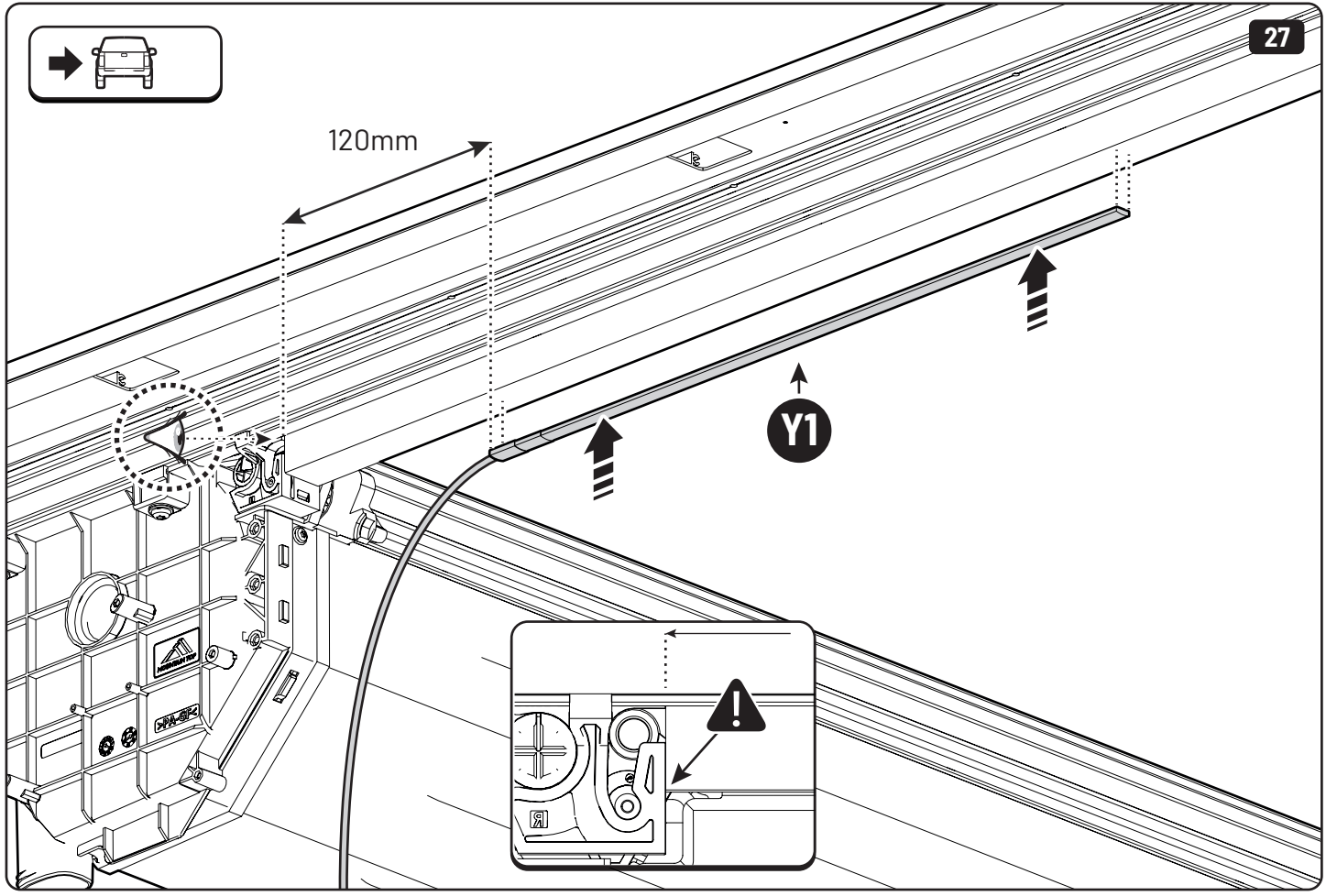
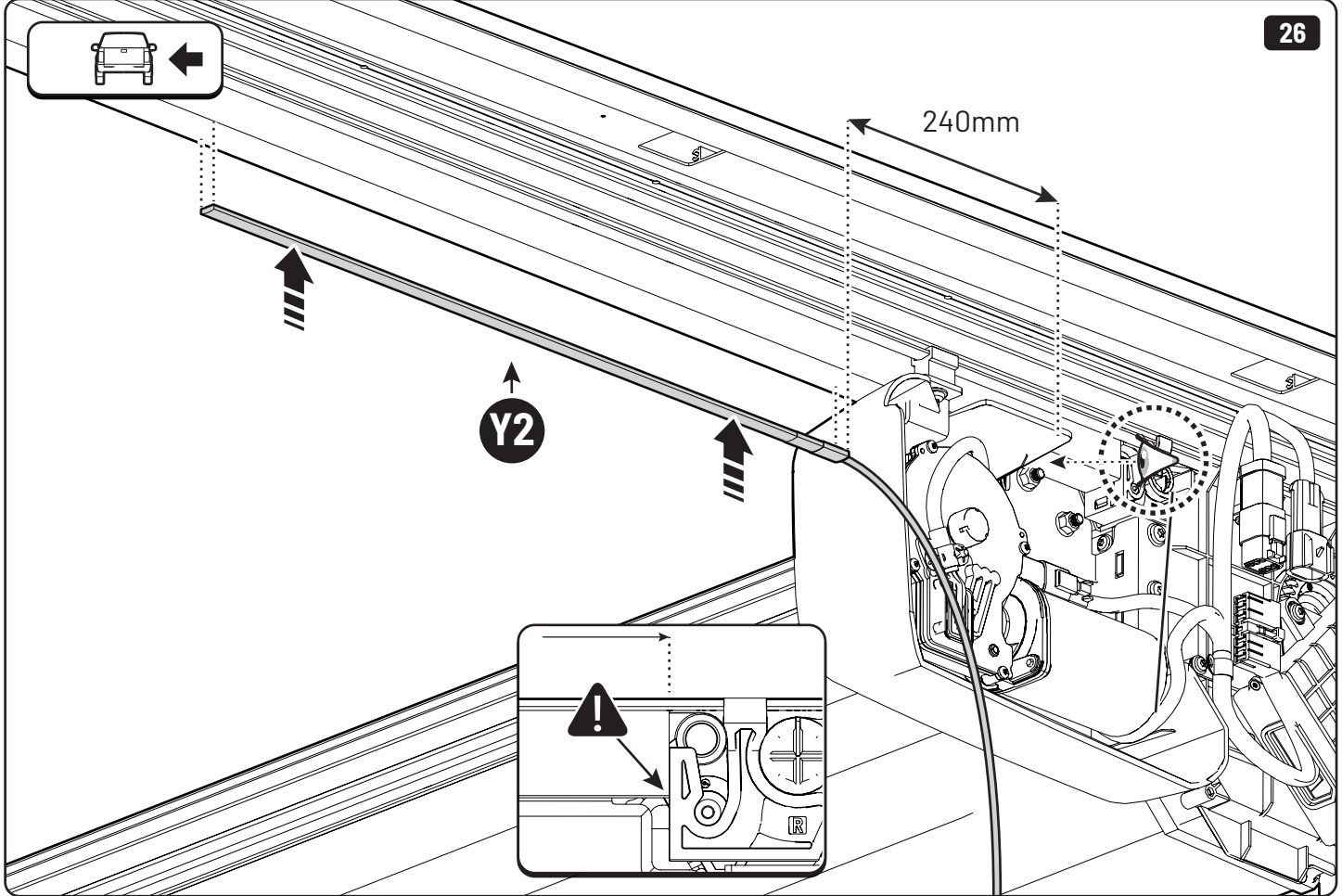


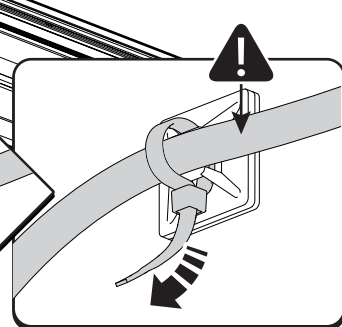
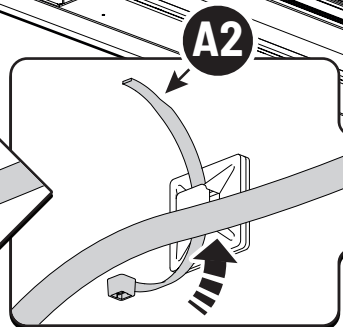
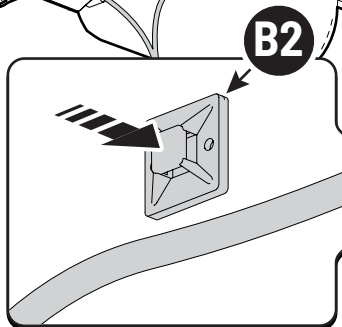
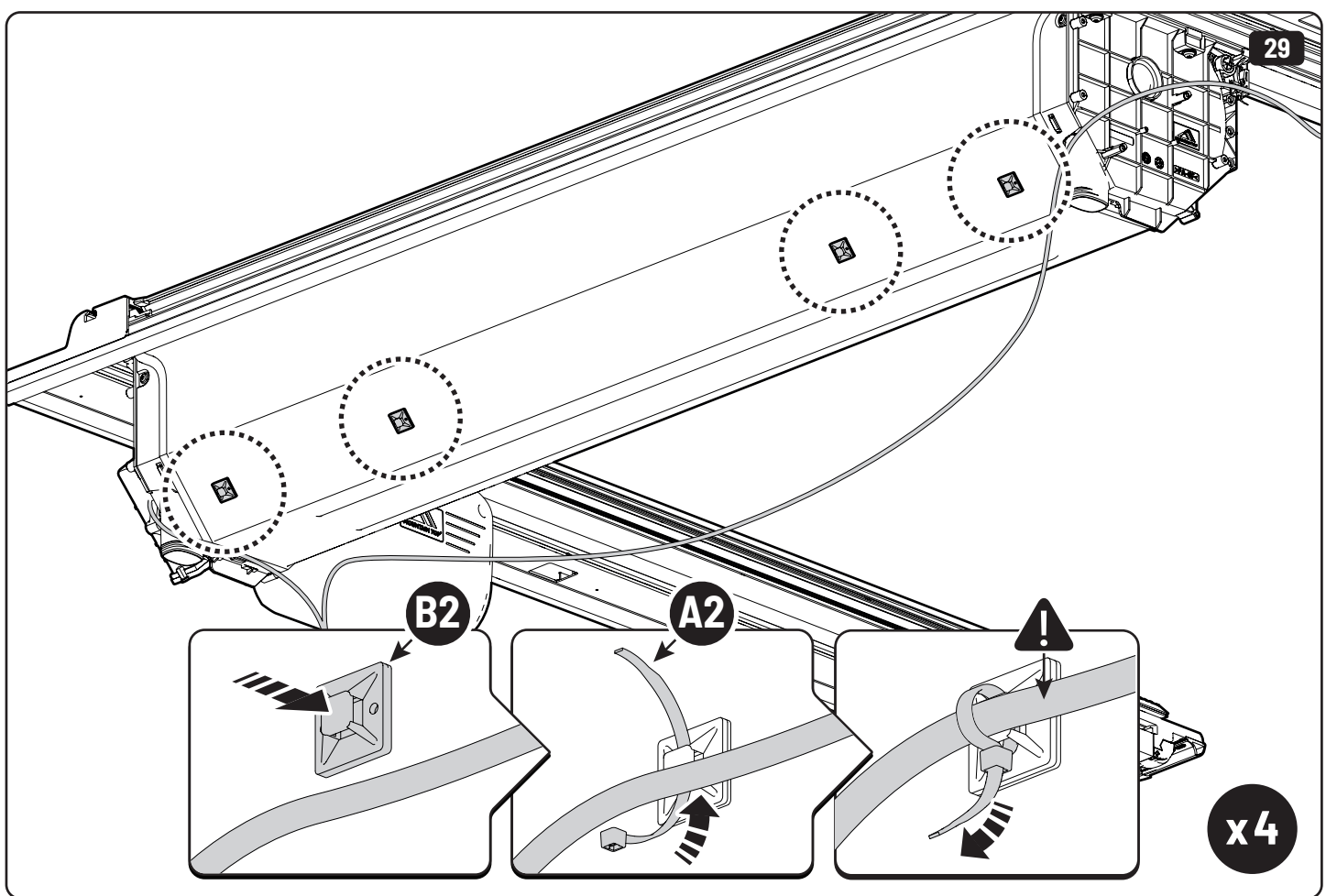
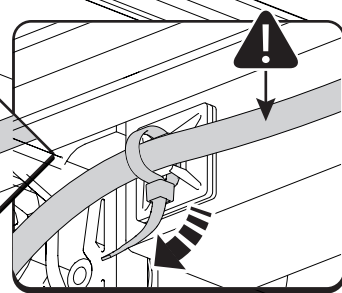
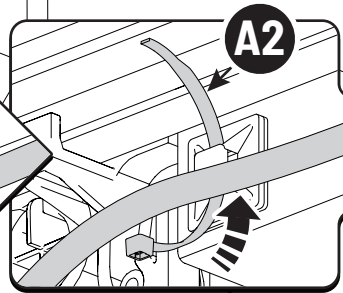
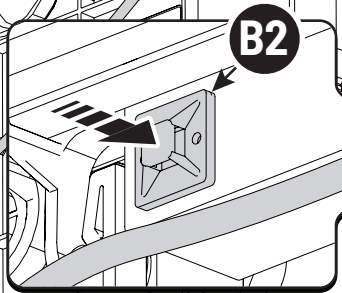
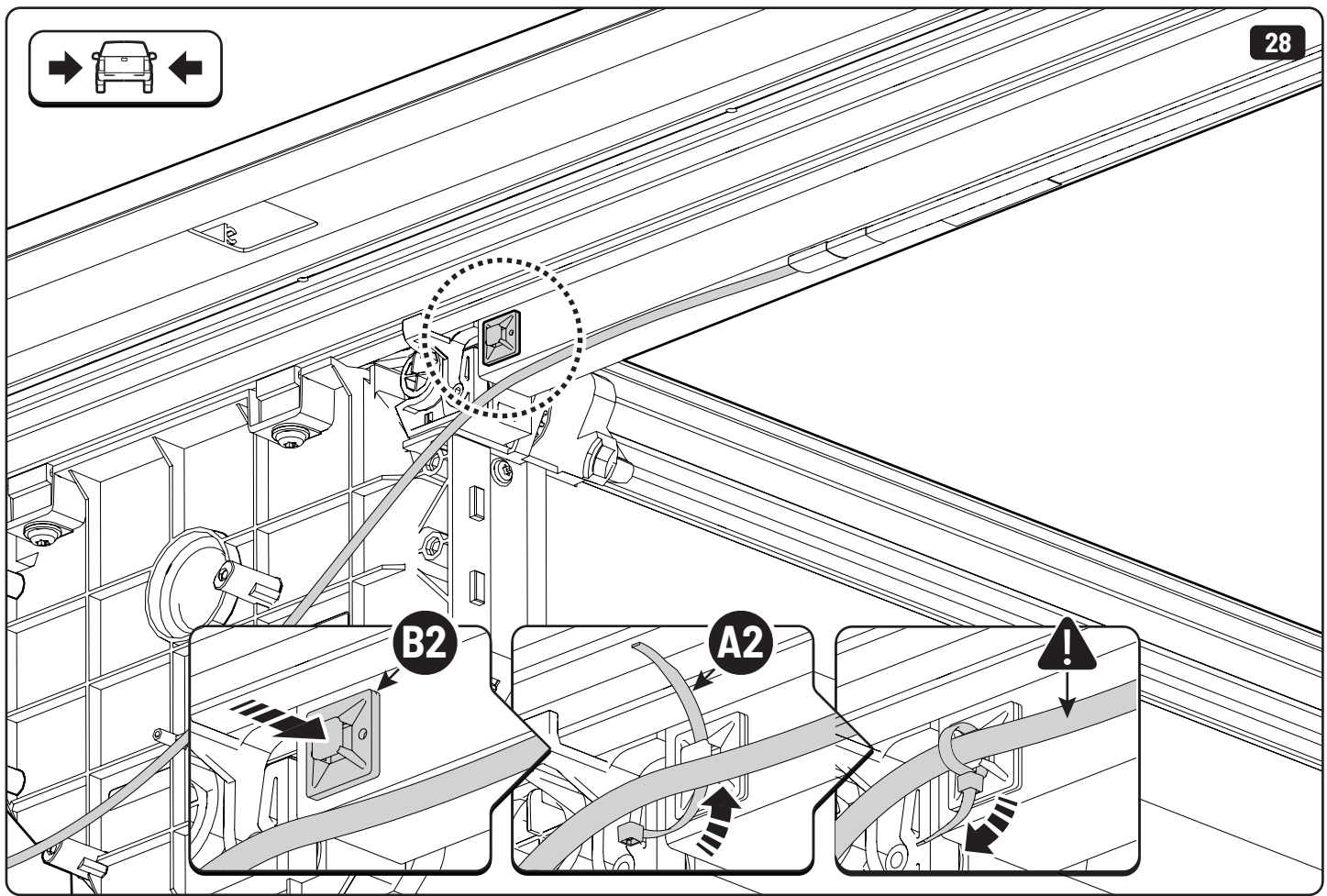




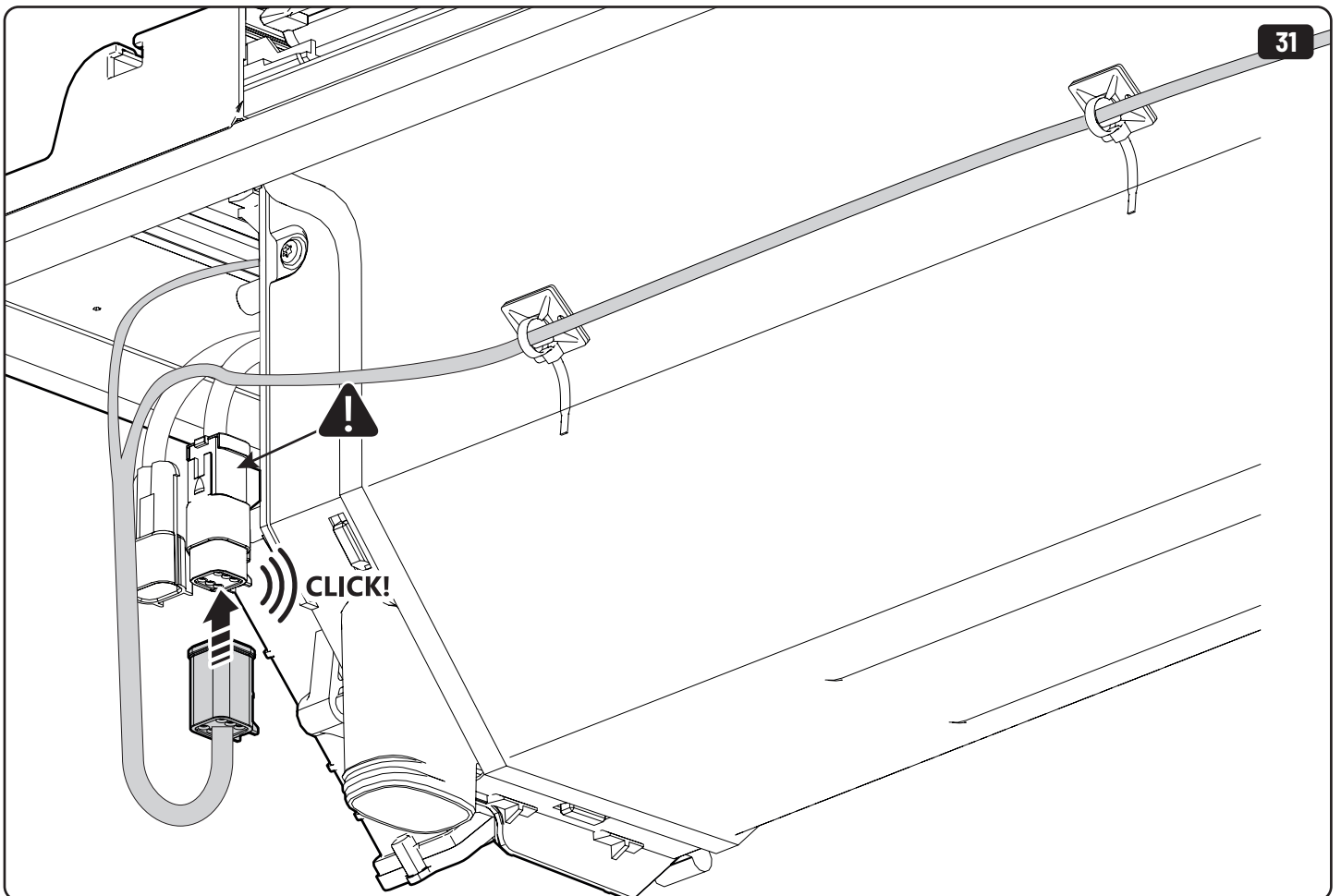
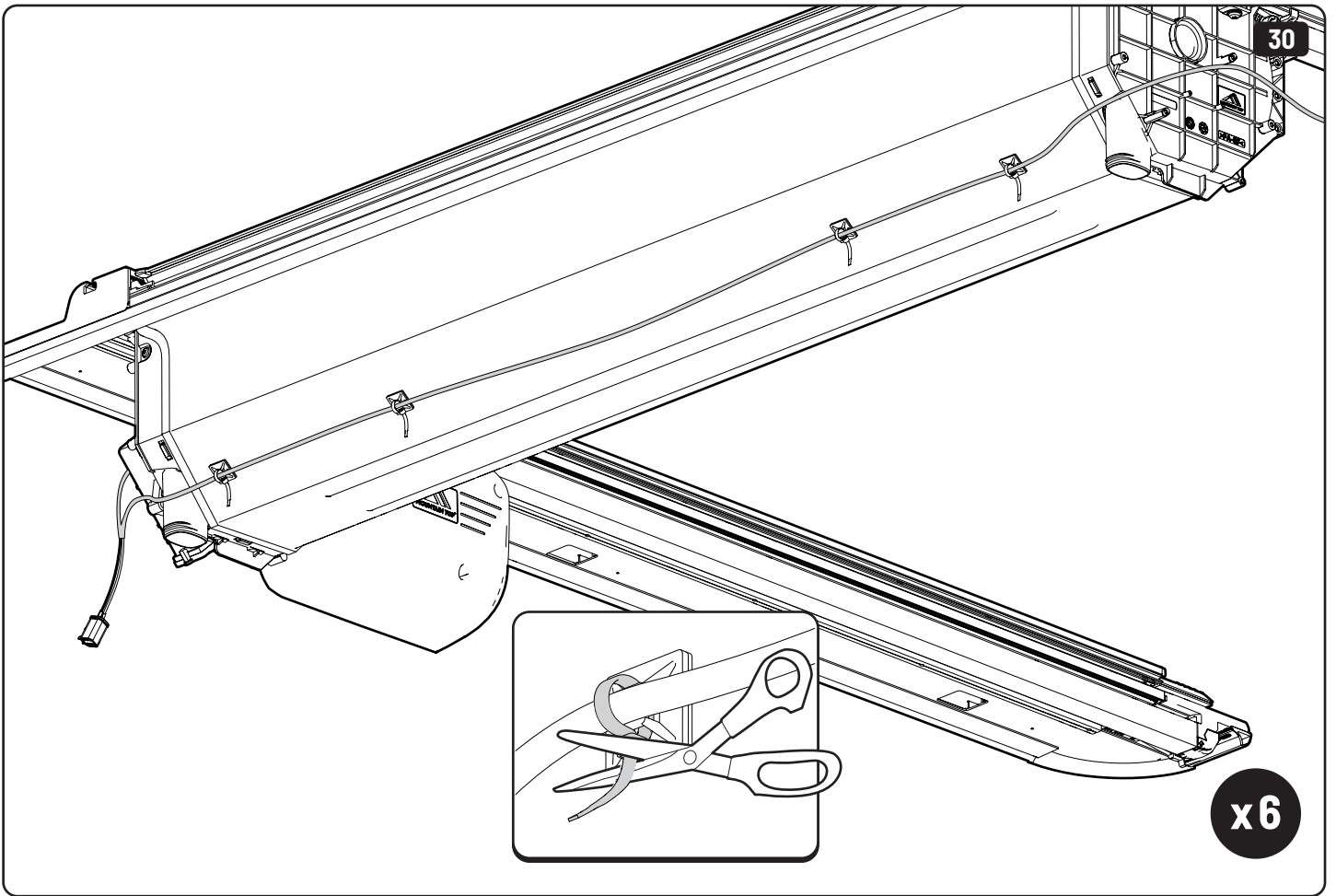


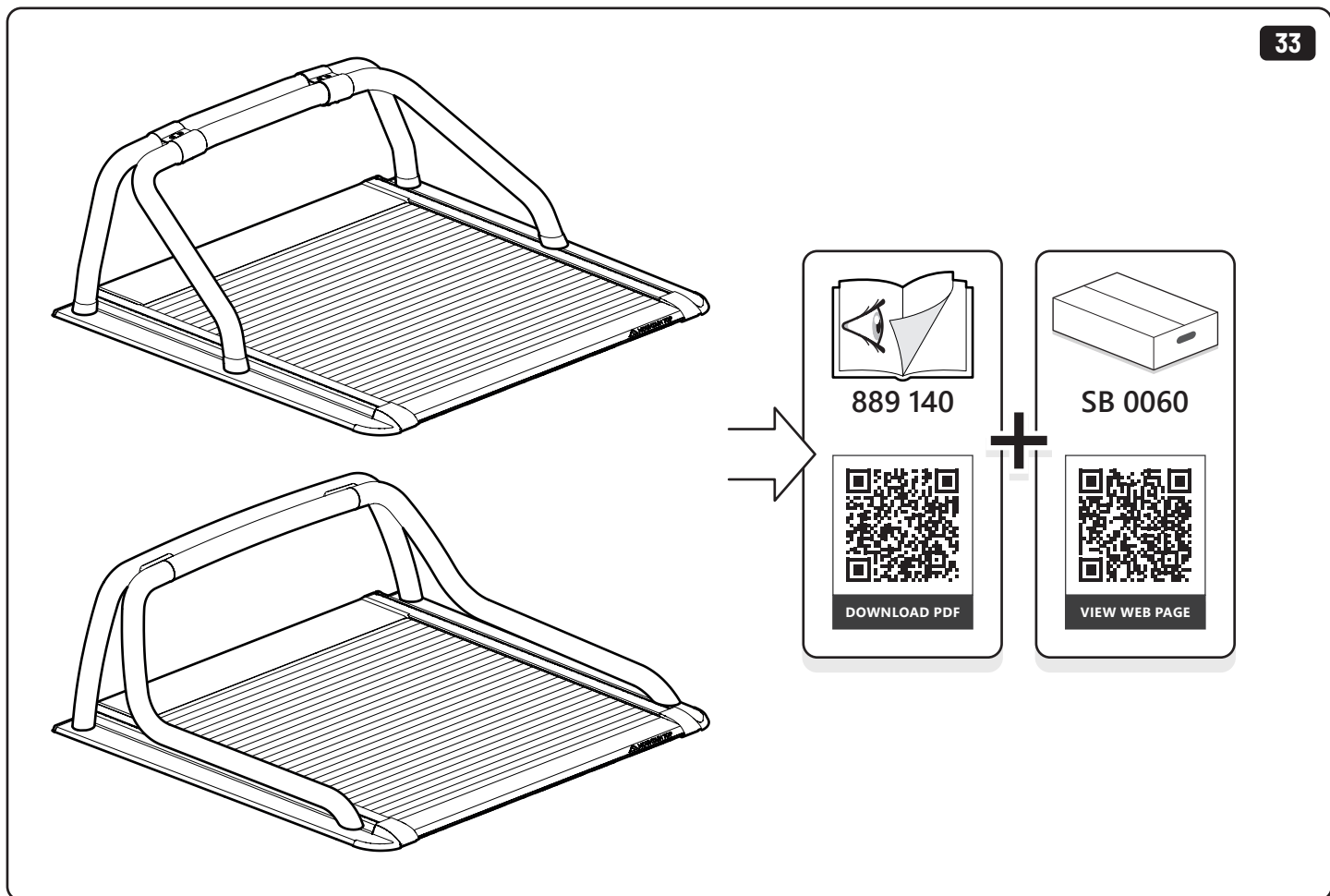
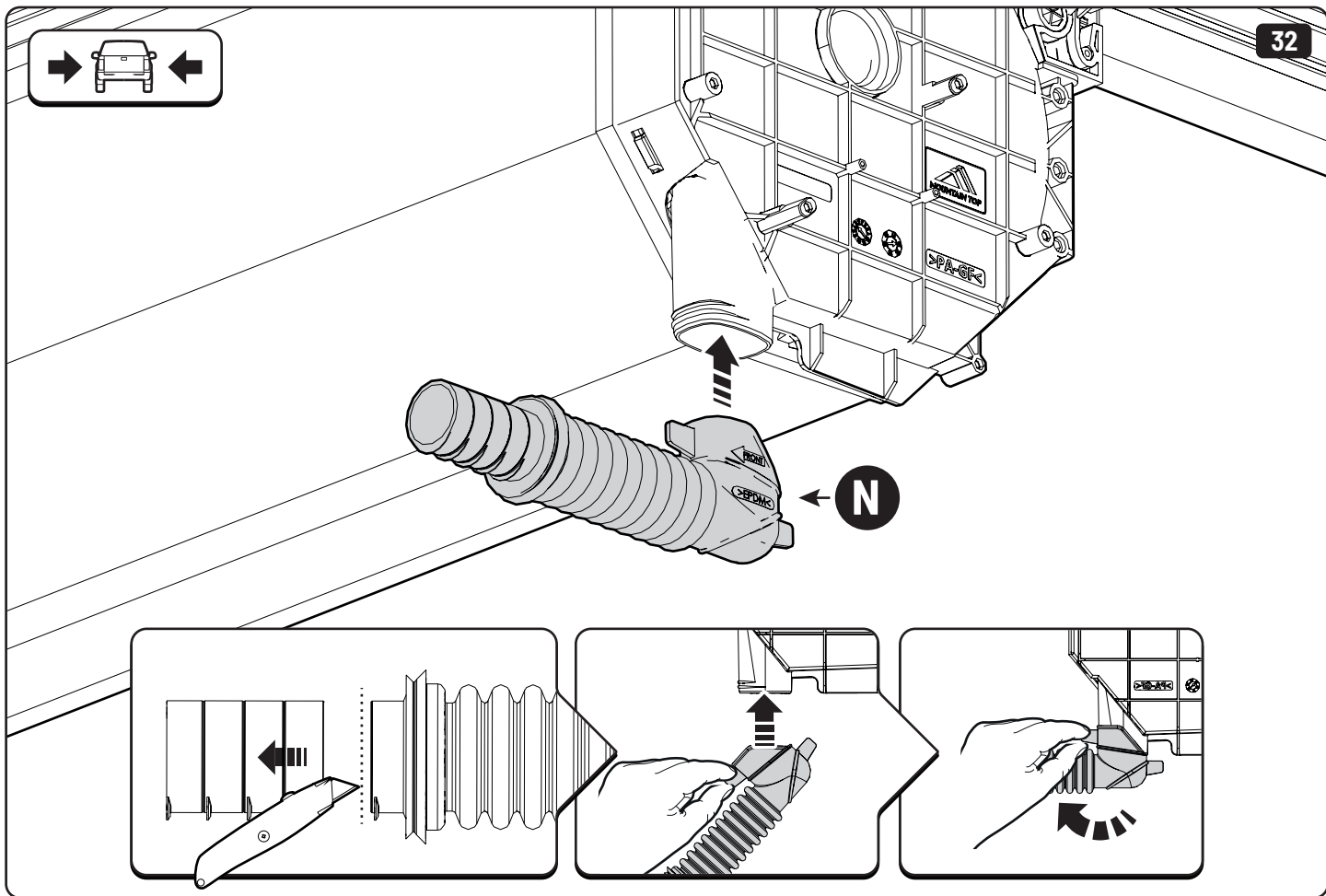


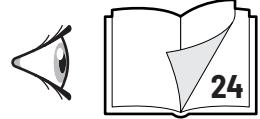
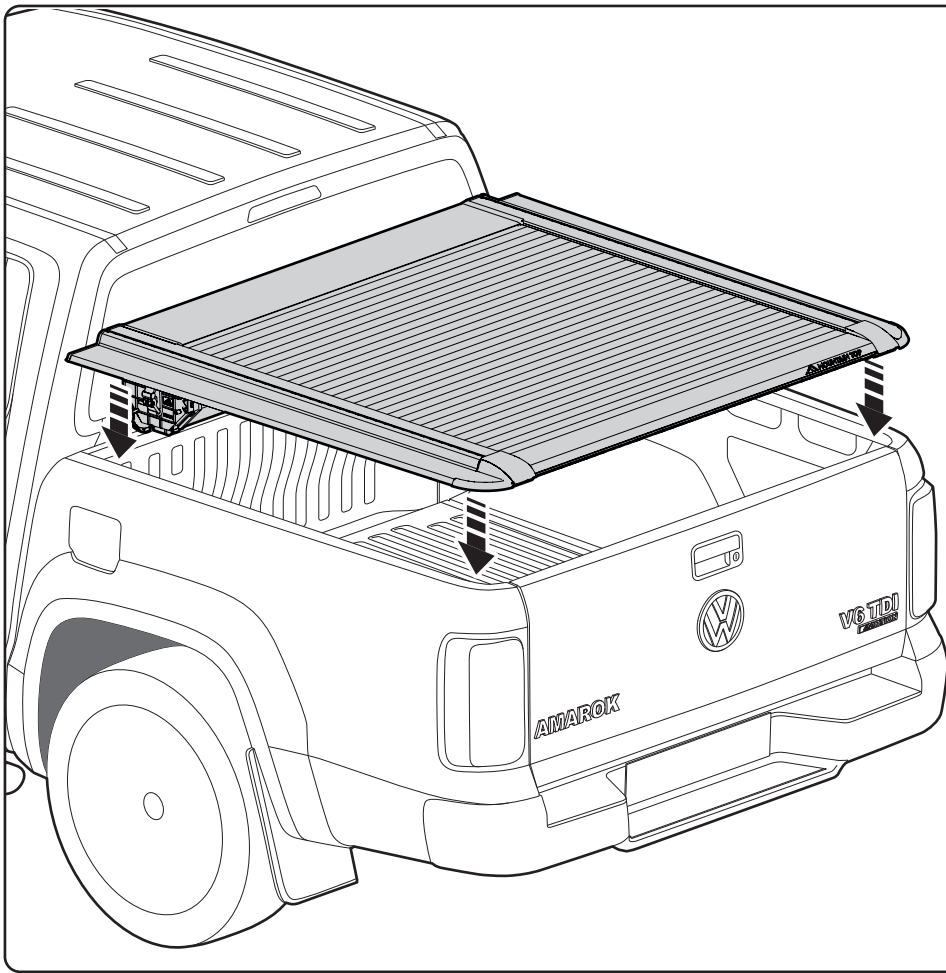


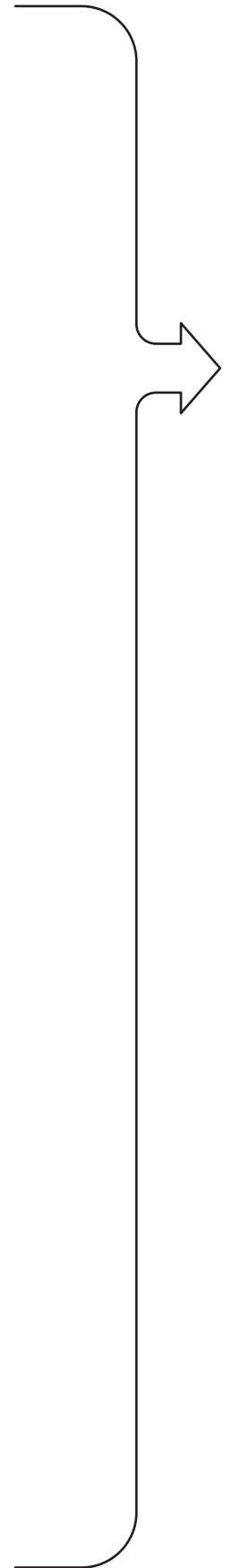
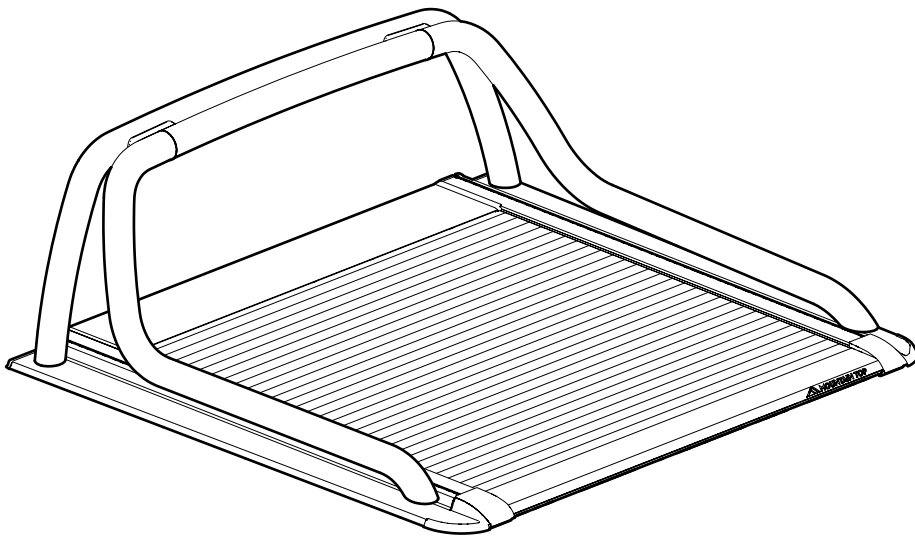
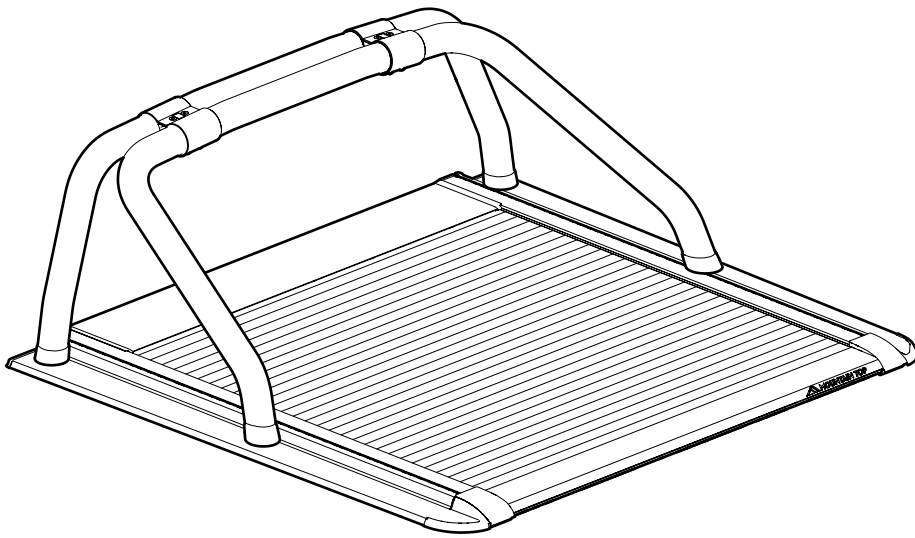
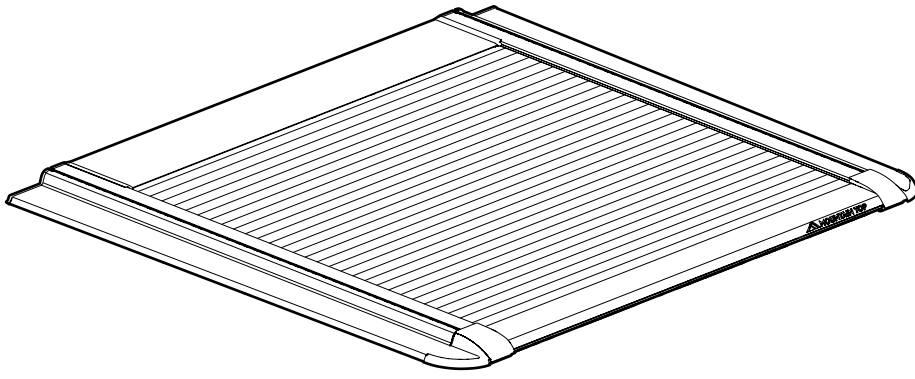


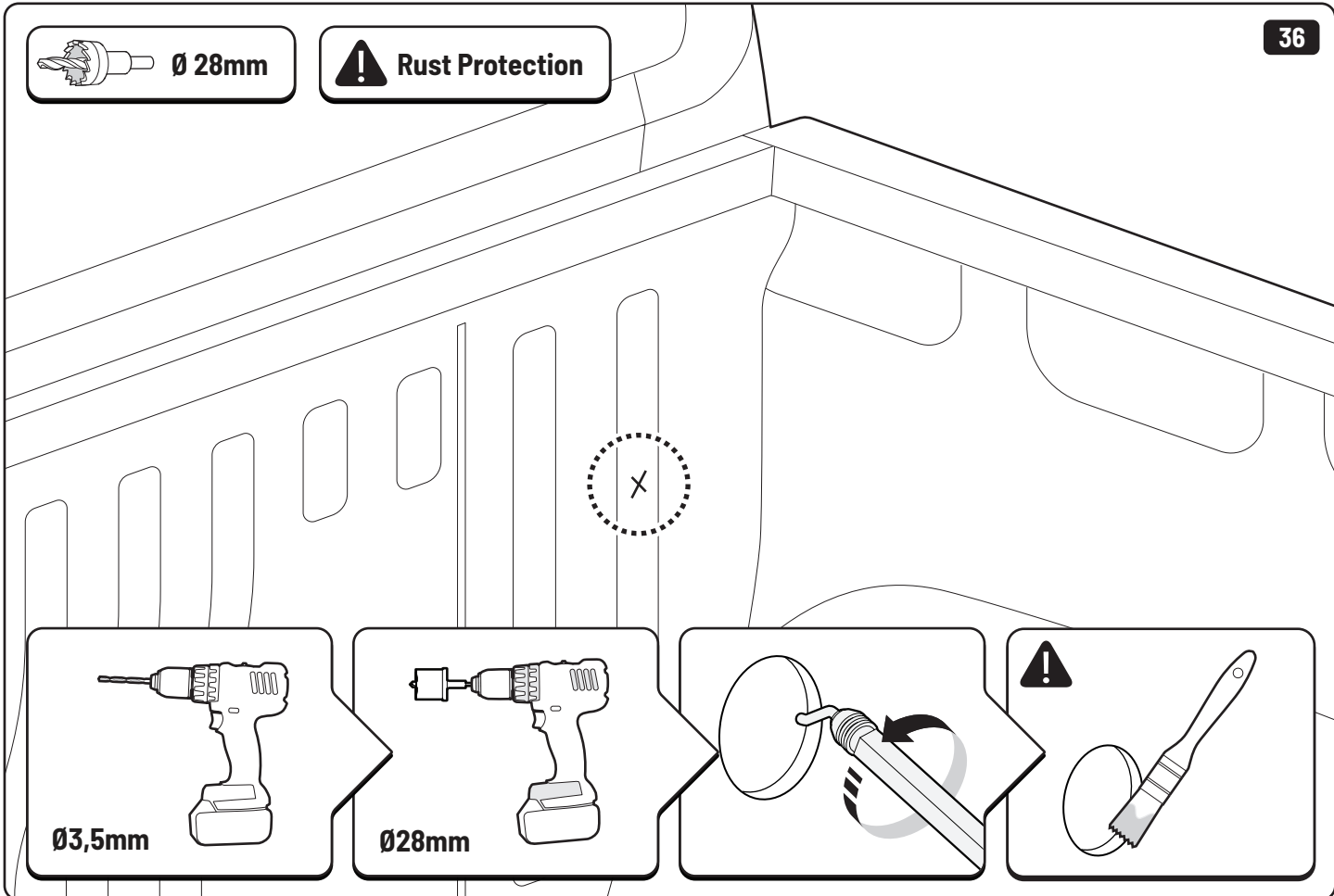
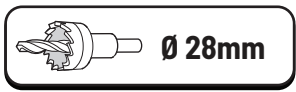
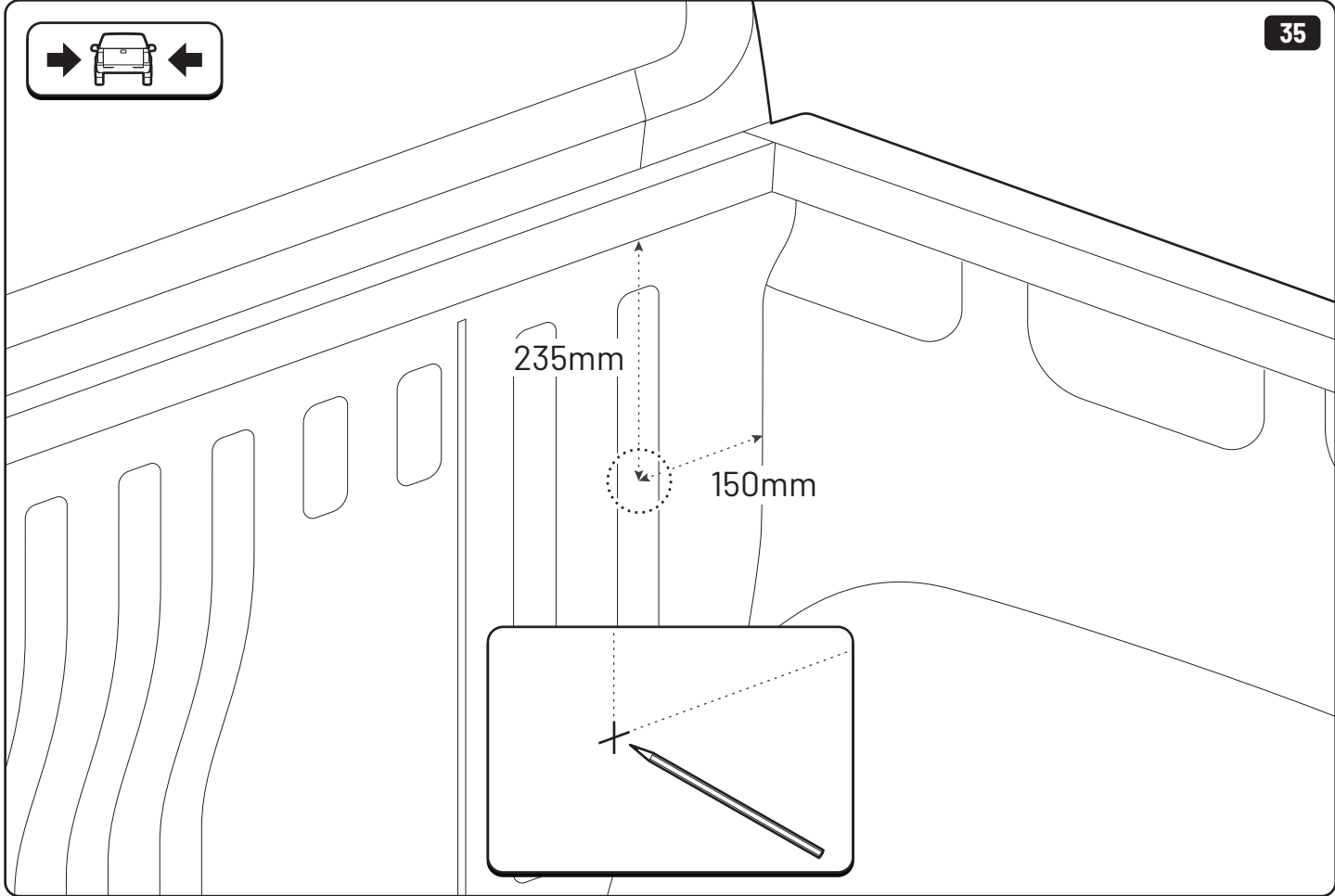
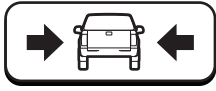
x4

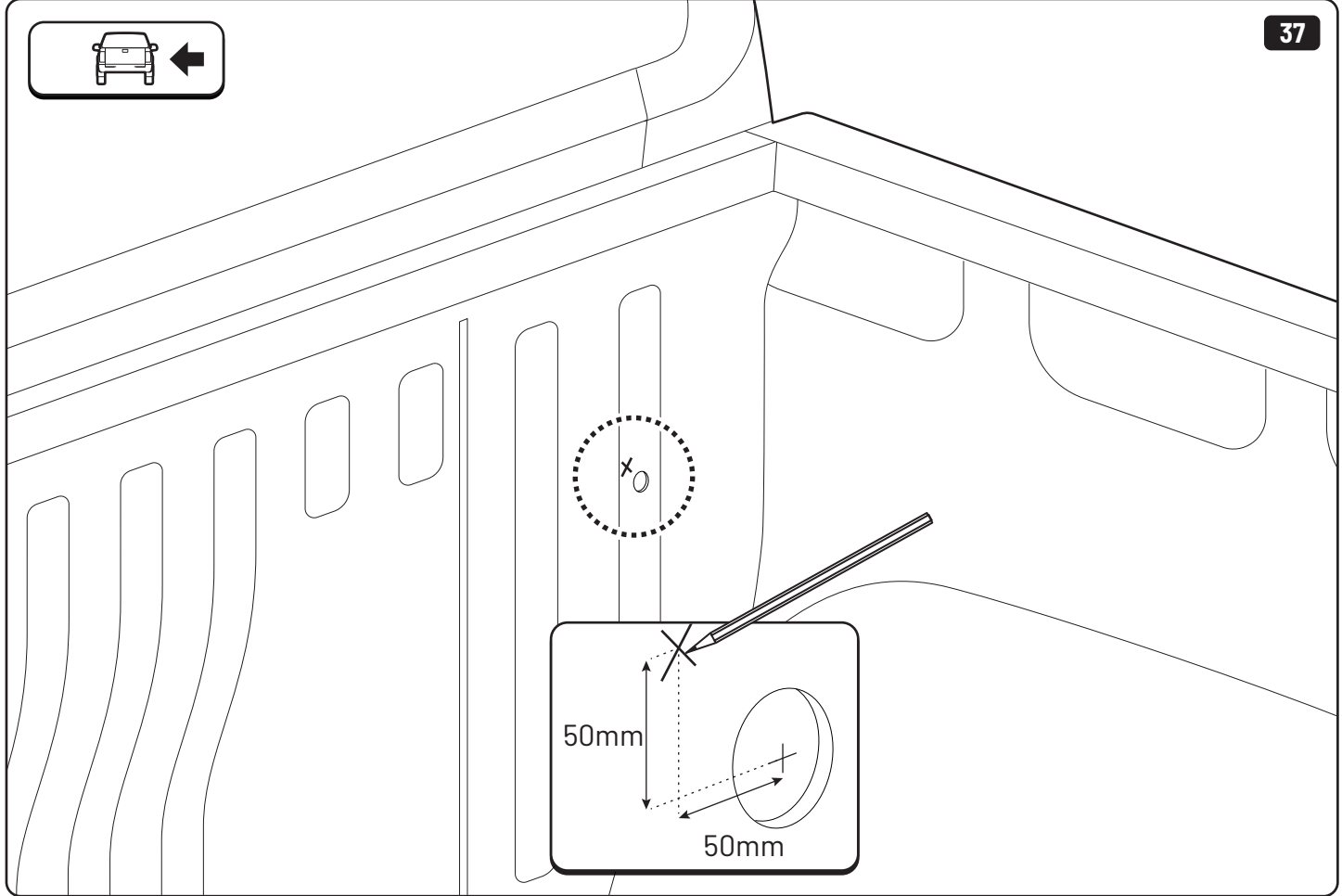
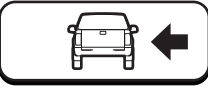




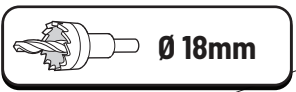




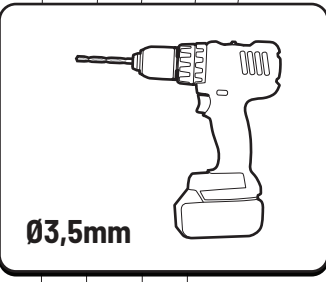
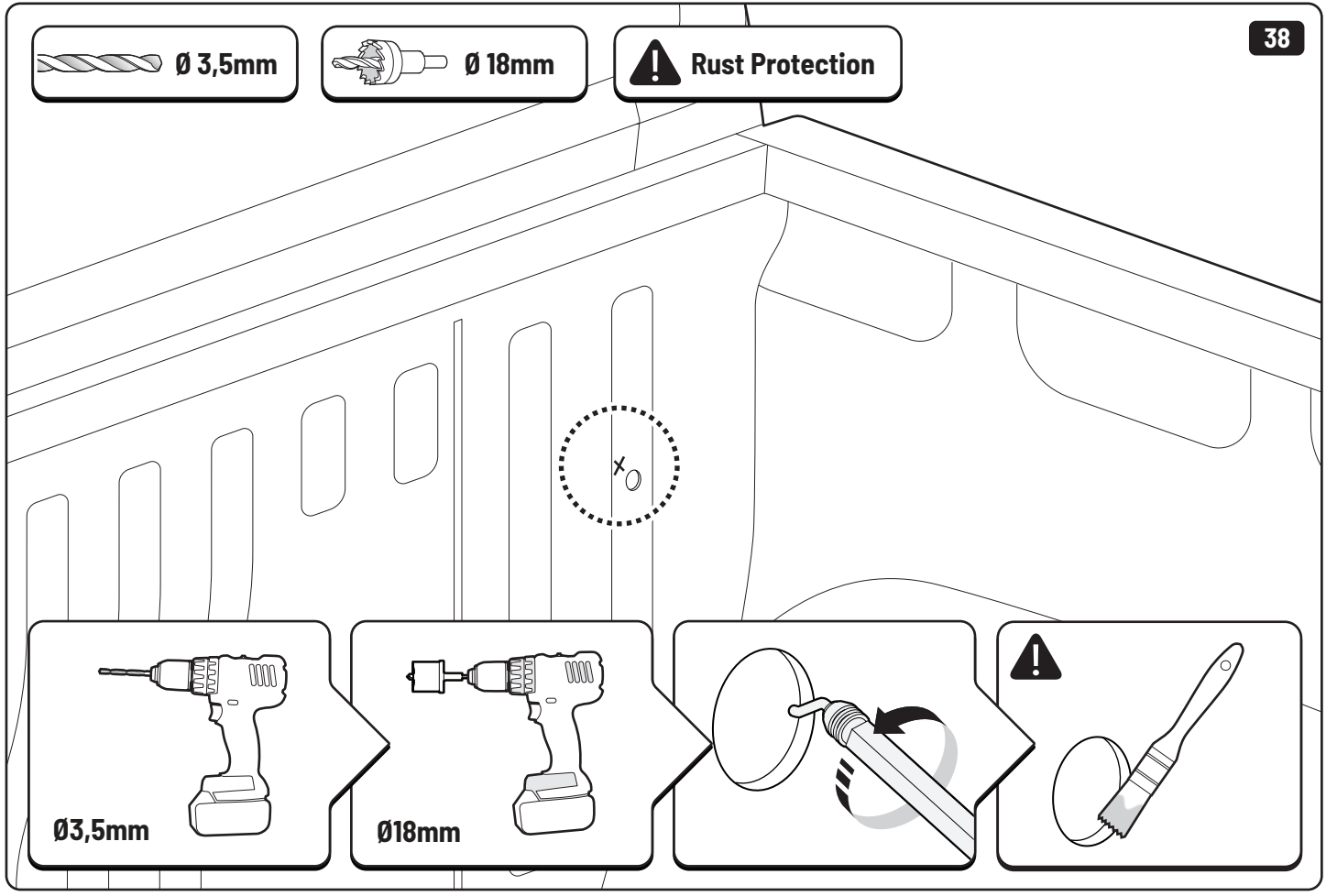




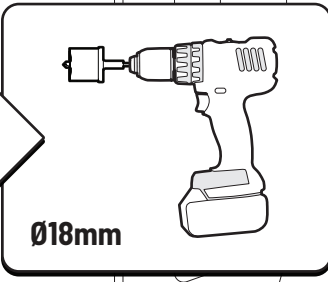
Ø 3,5mm



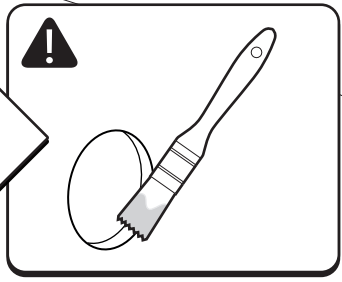
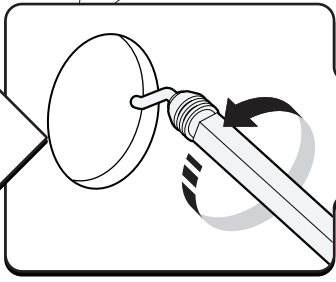
Ø 18mm

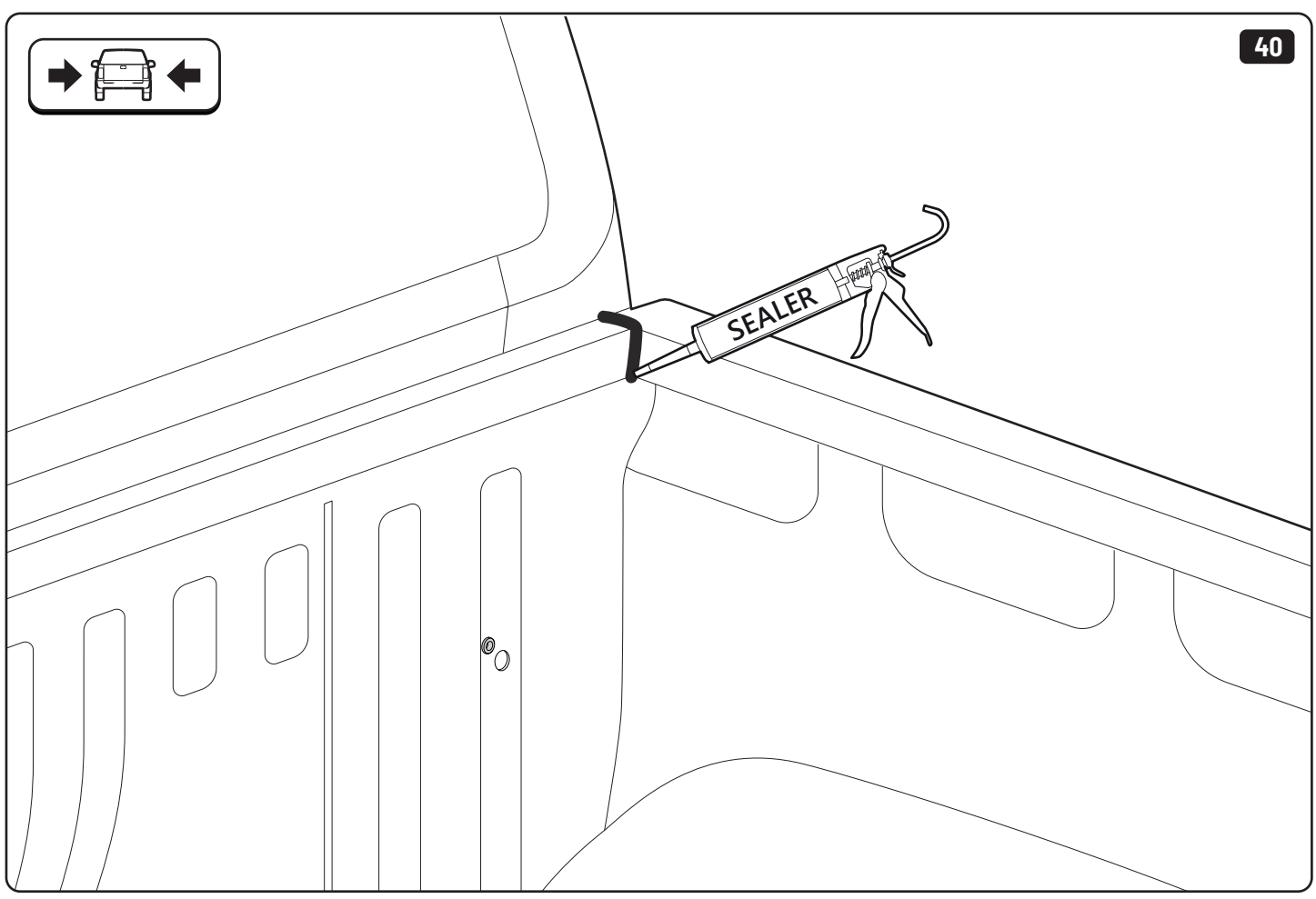
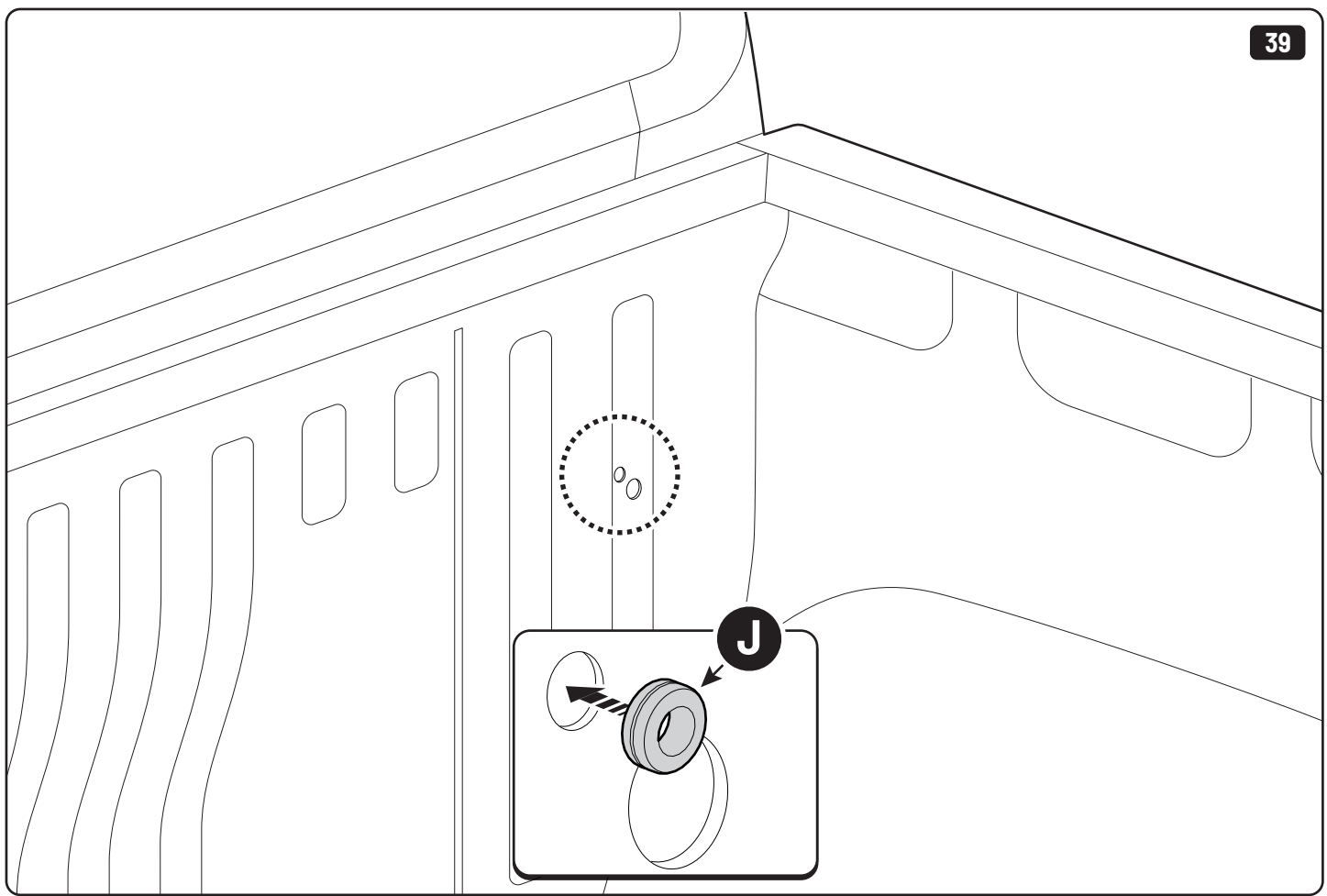


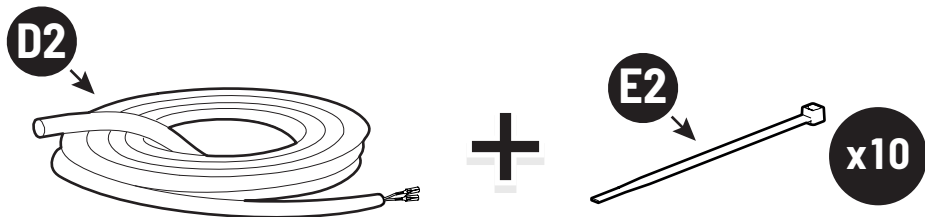
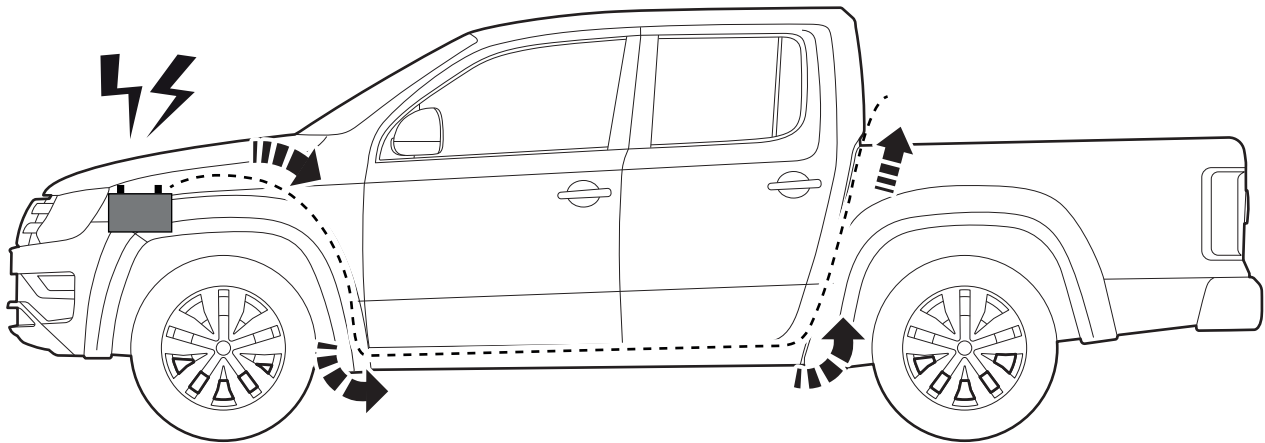
Ø3,5mm



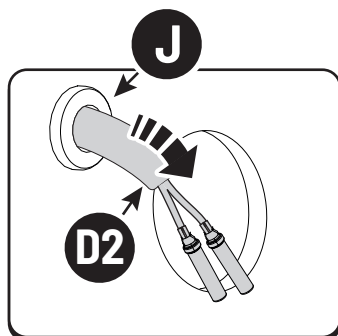
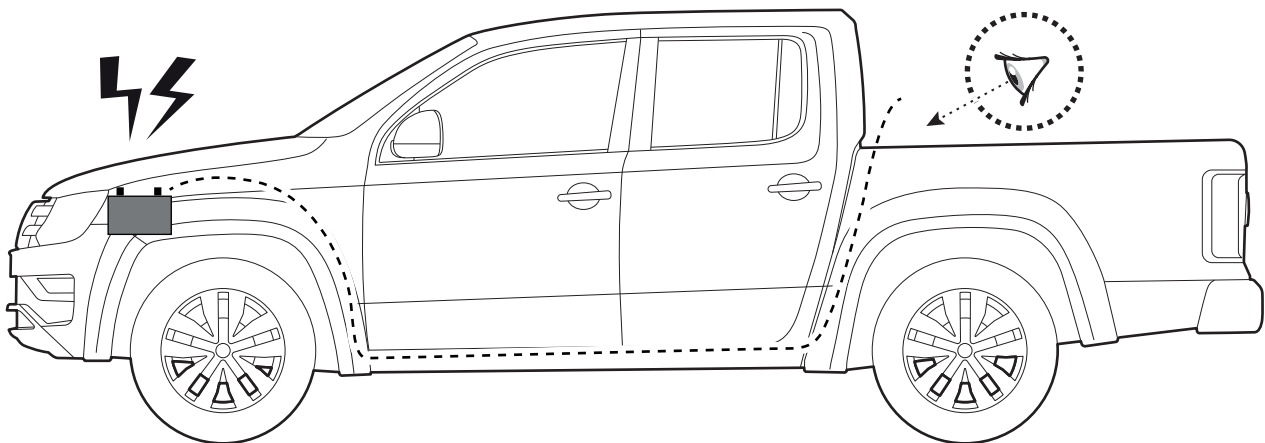
Ø18mm

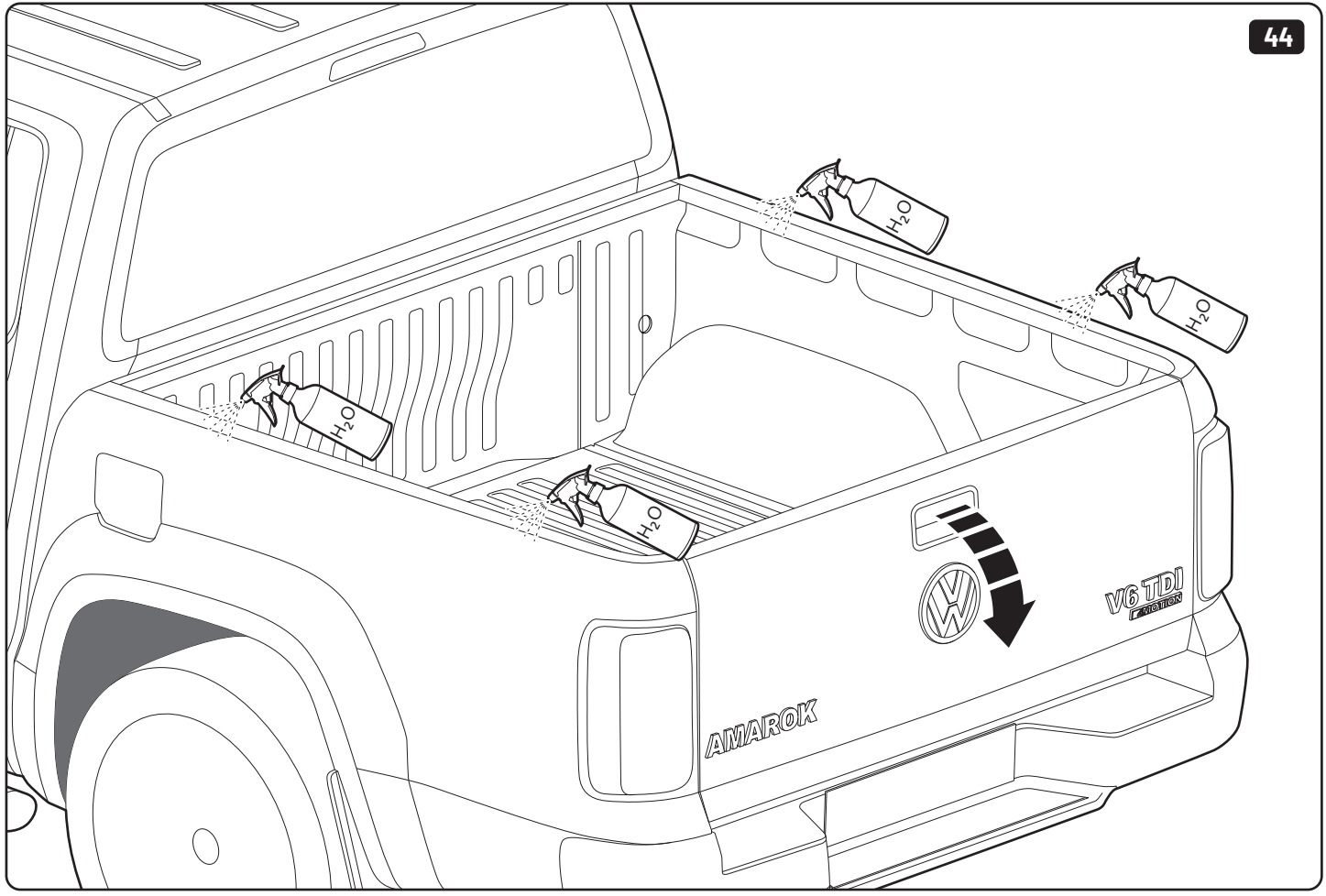
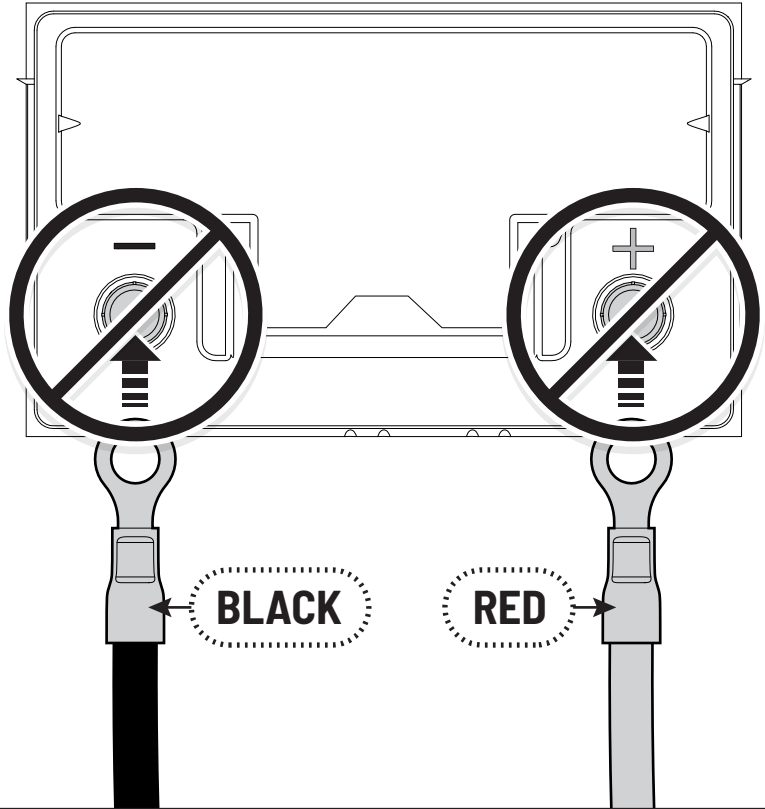


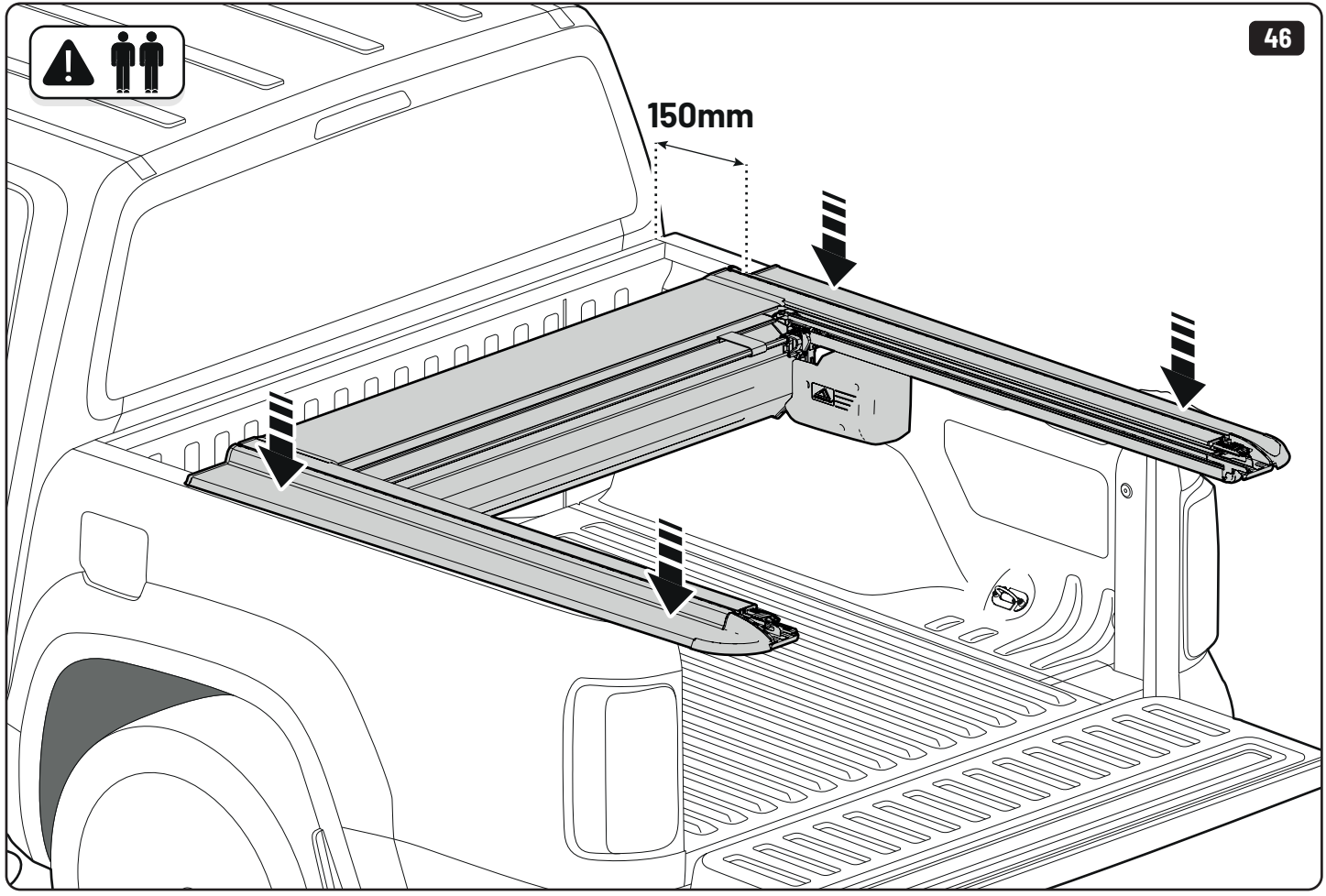
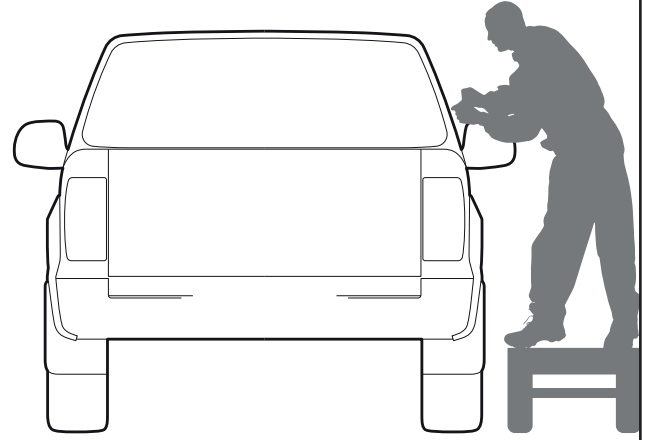
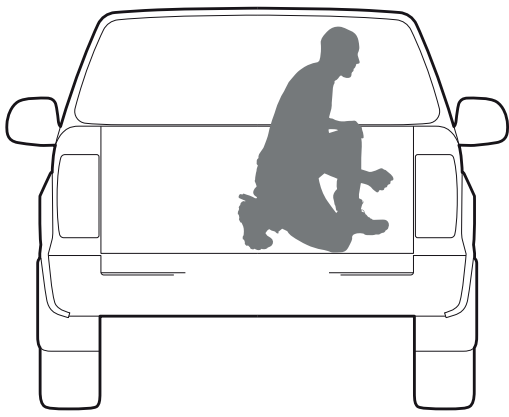


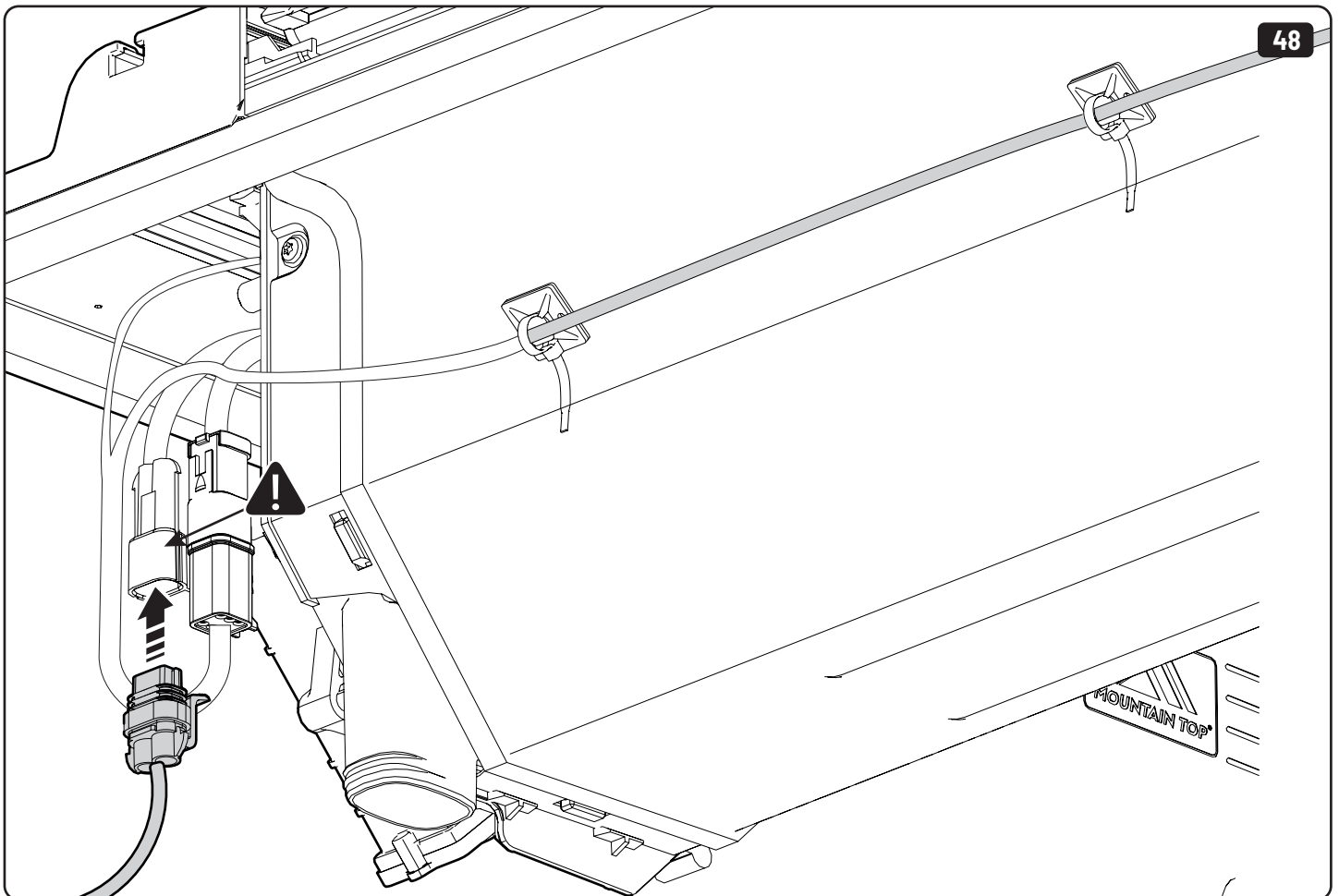
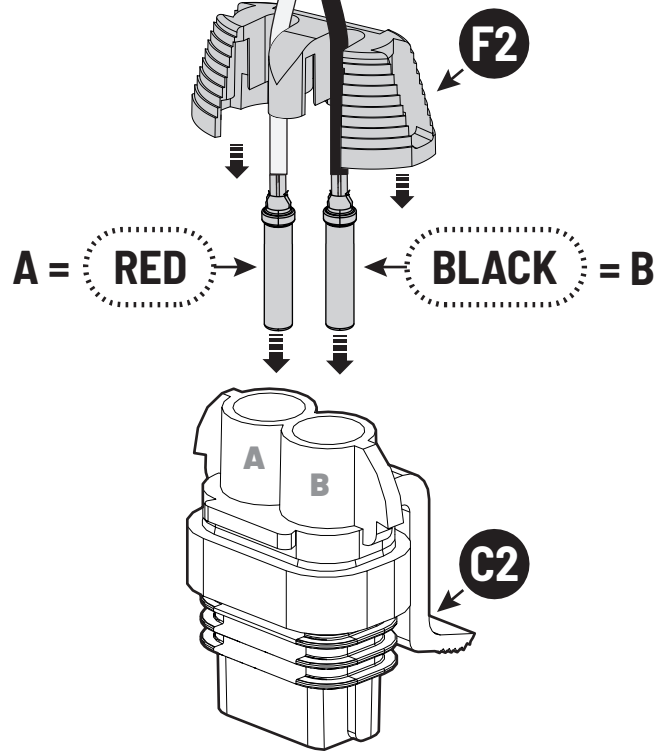


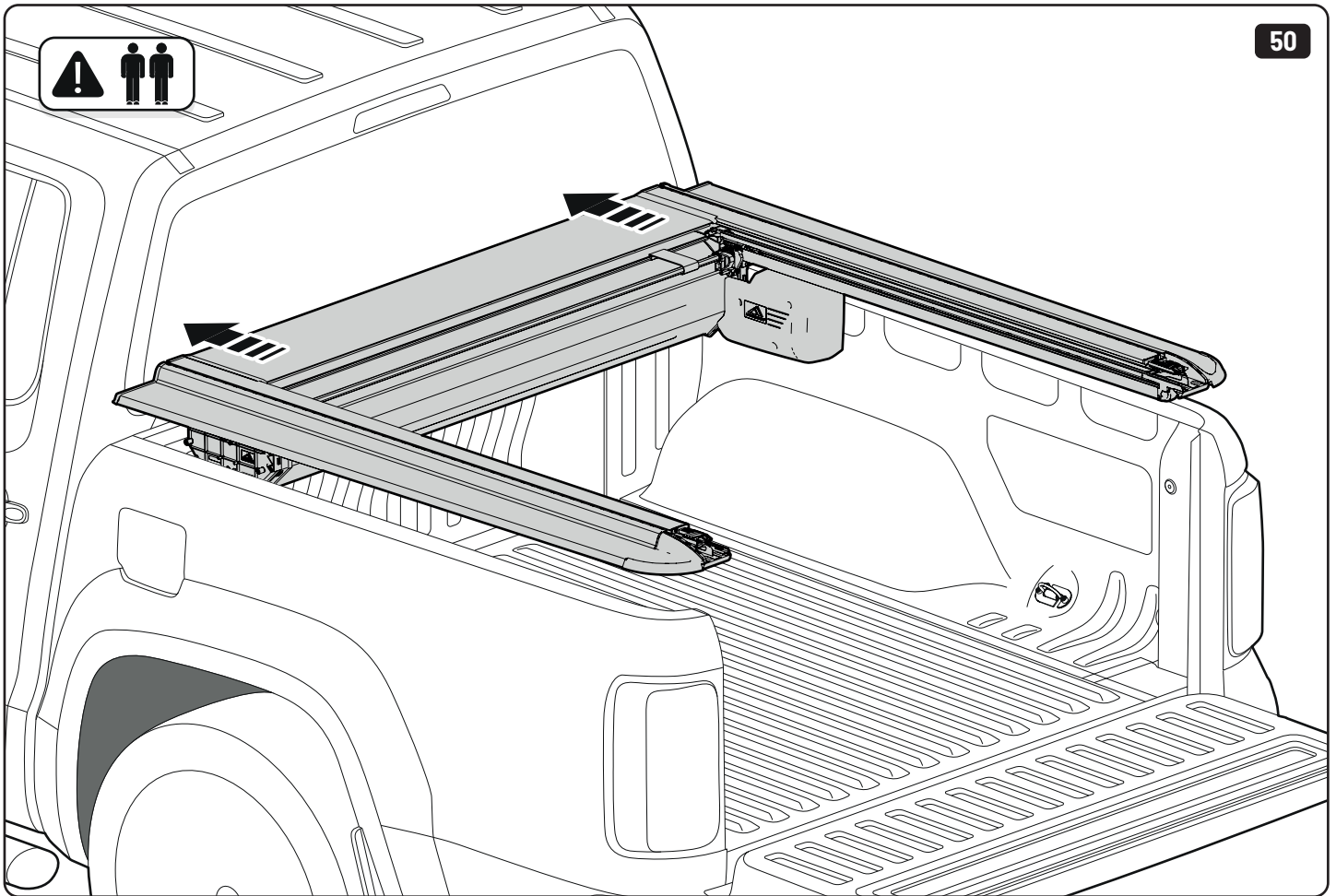
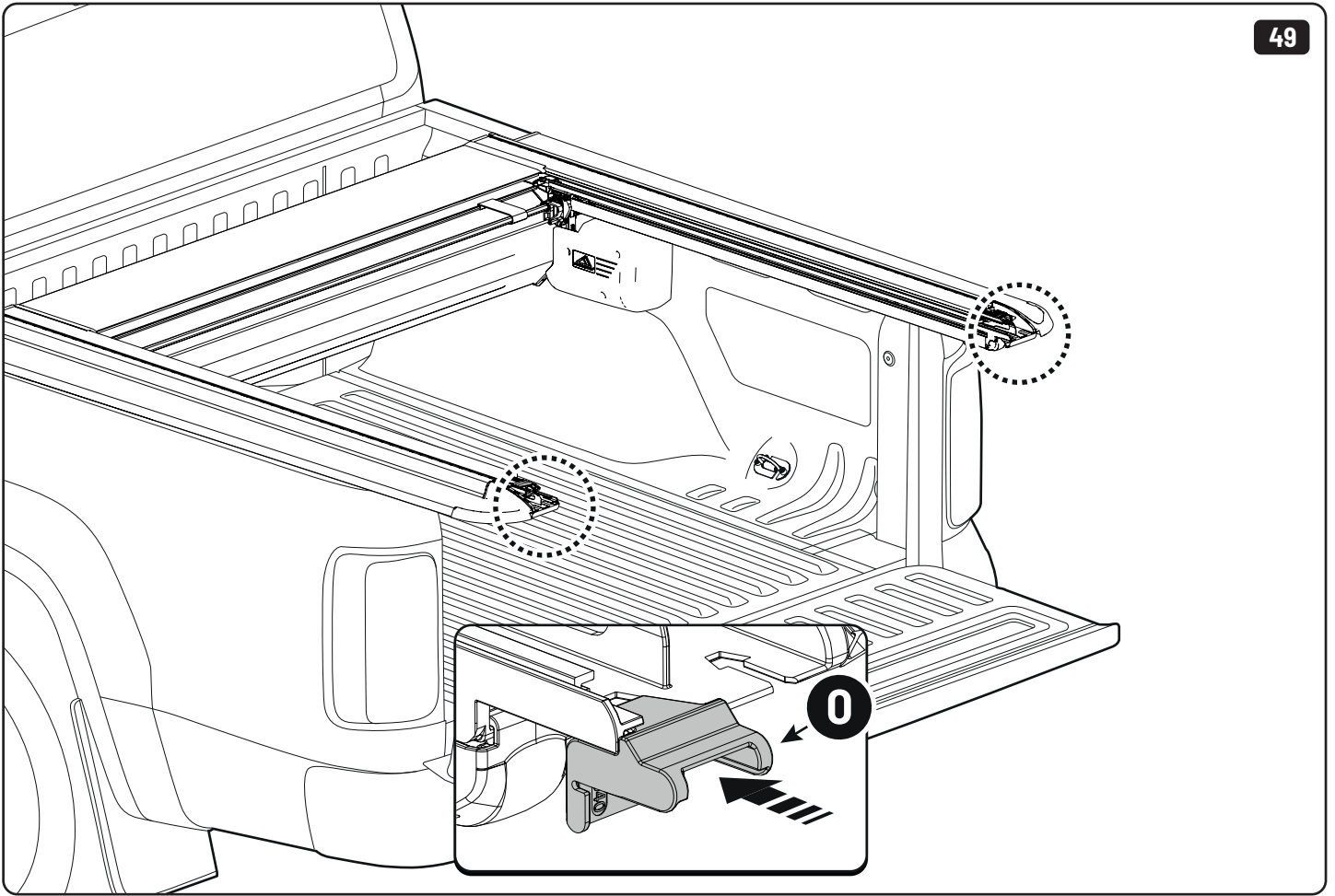
Only to be installed by authorized personell

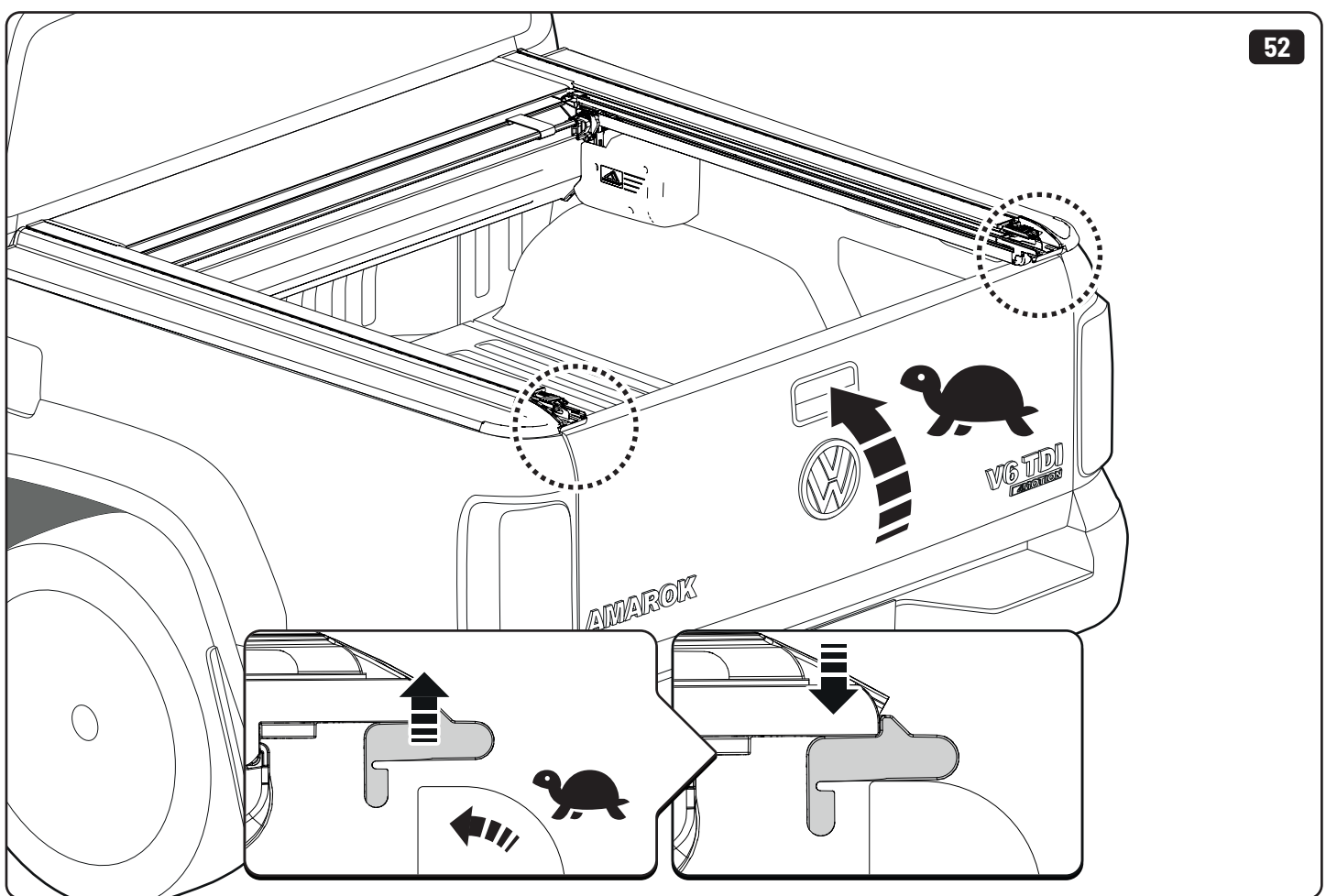
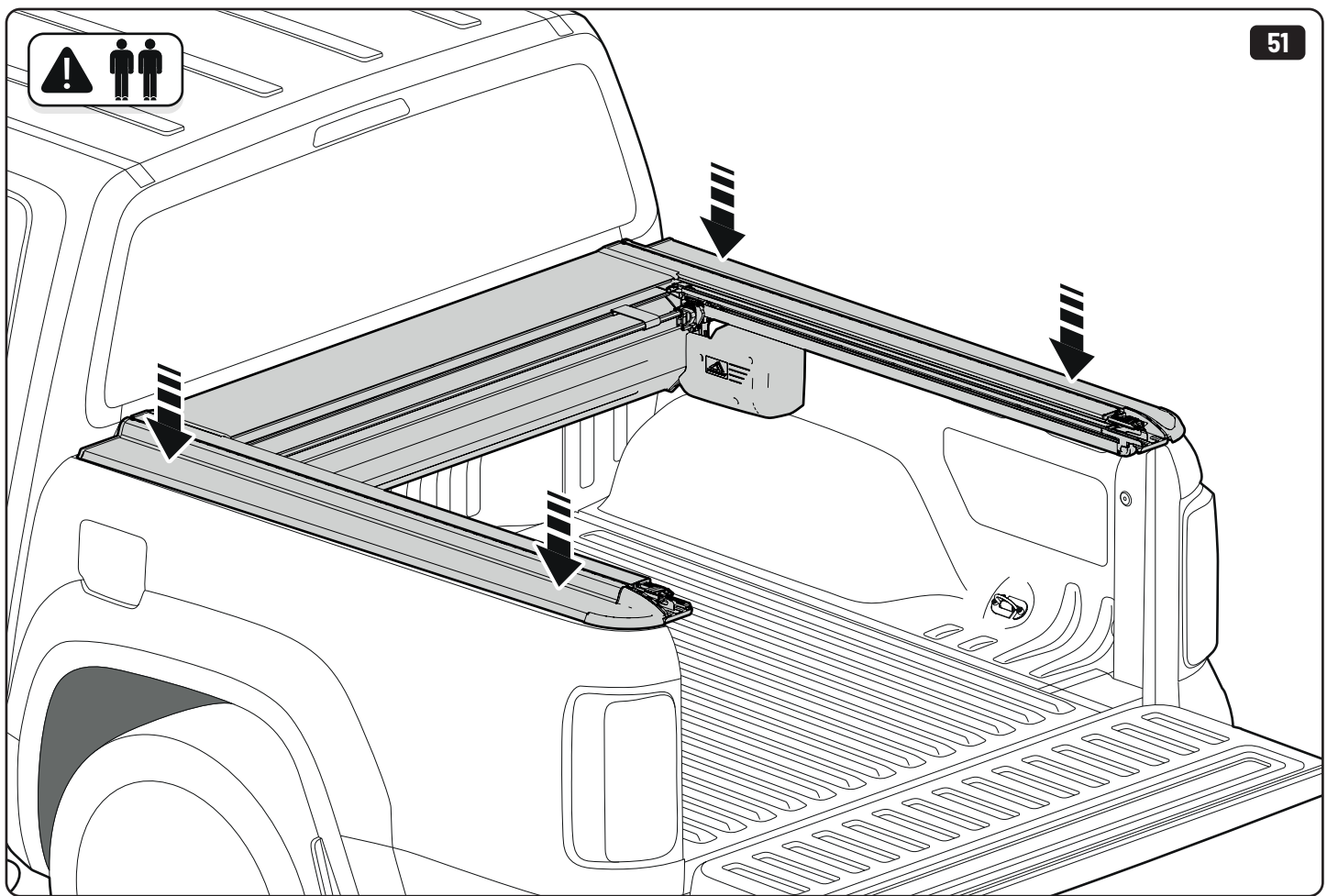


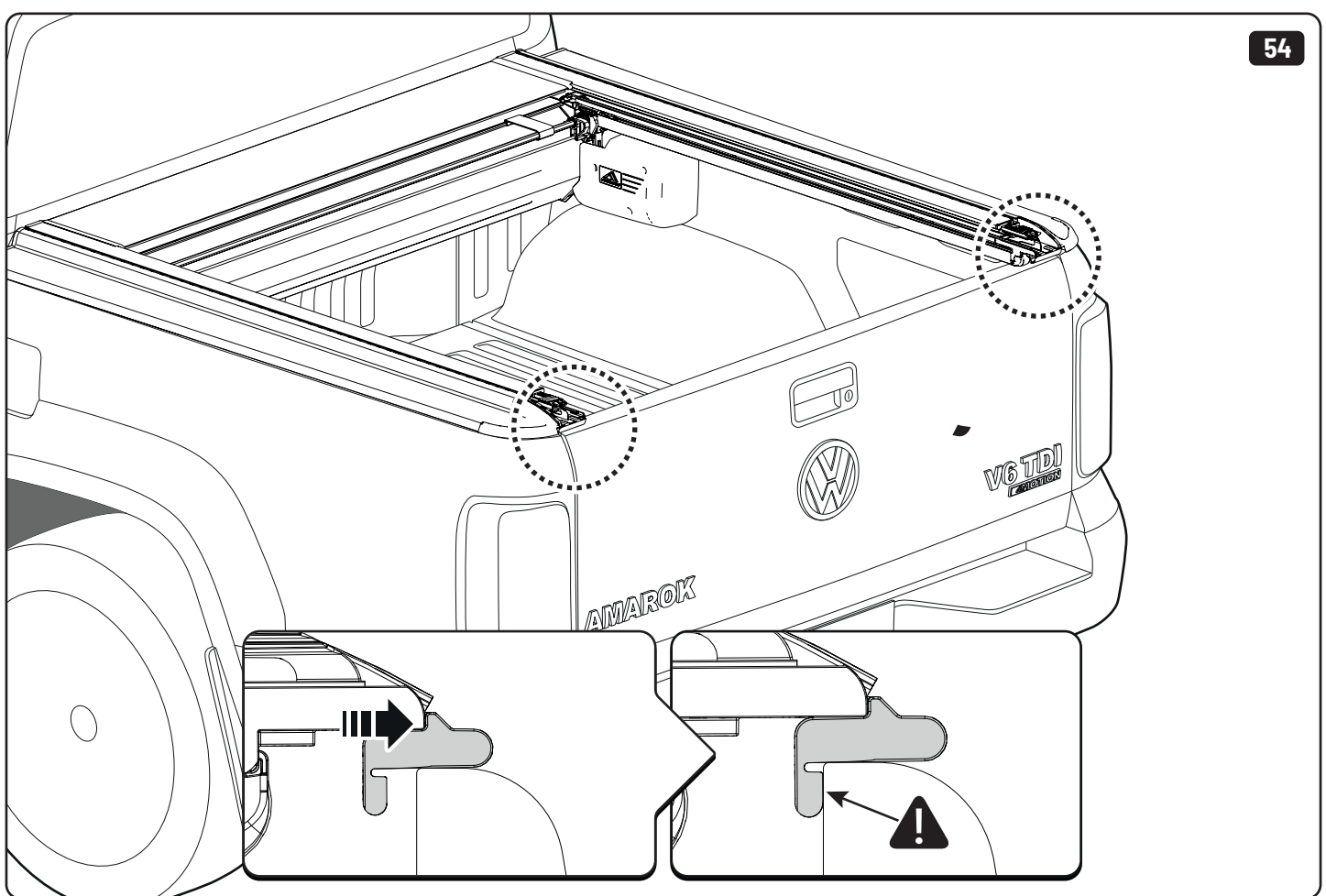
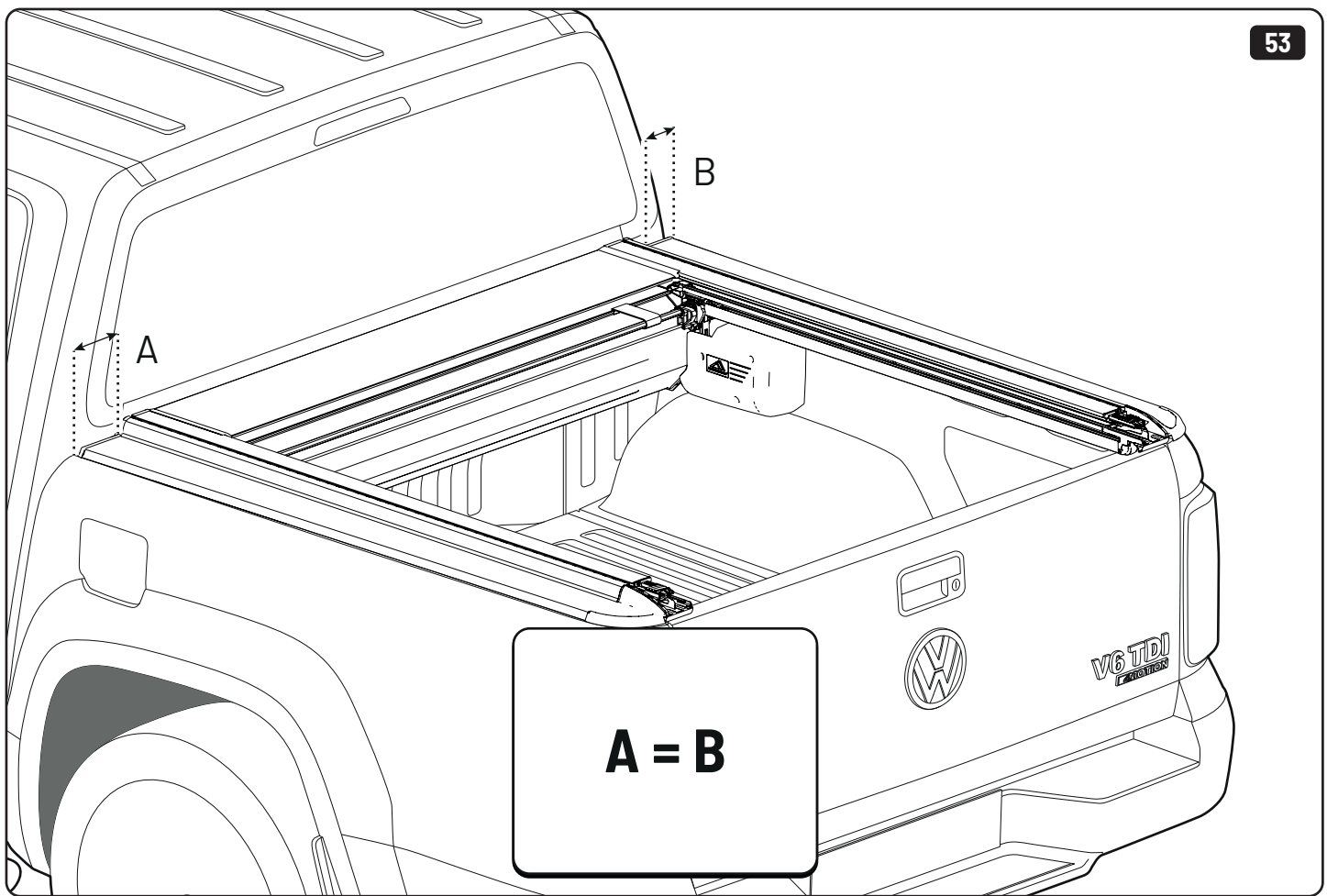


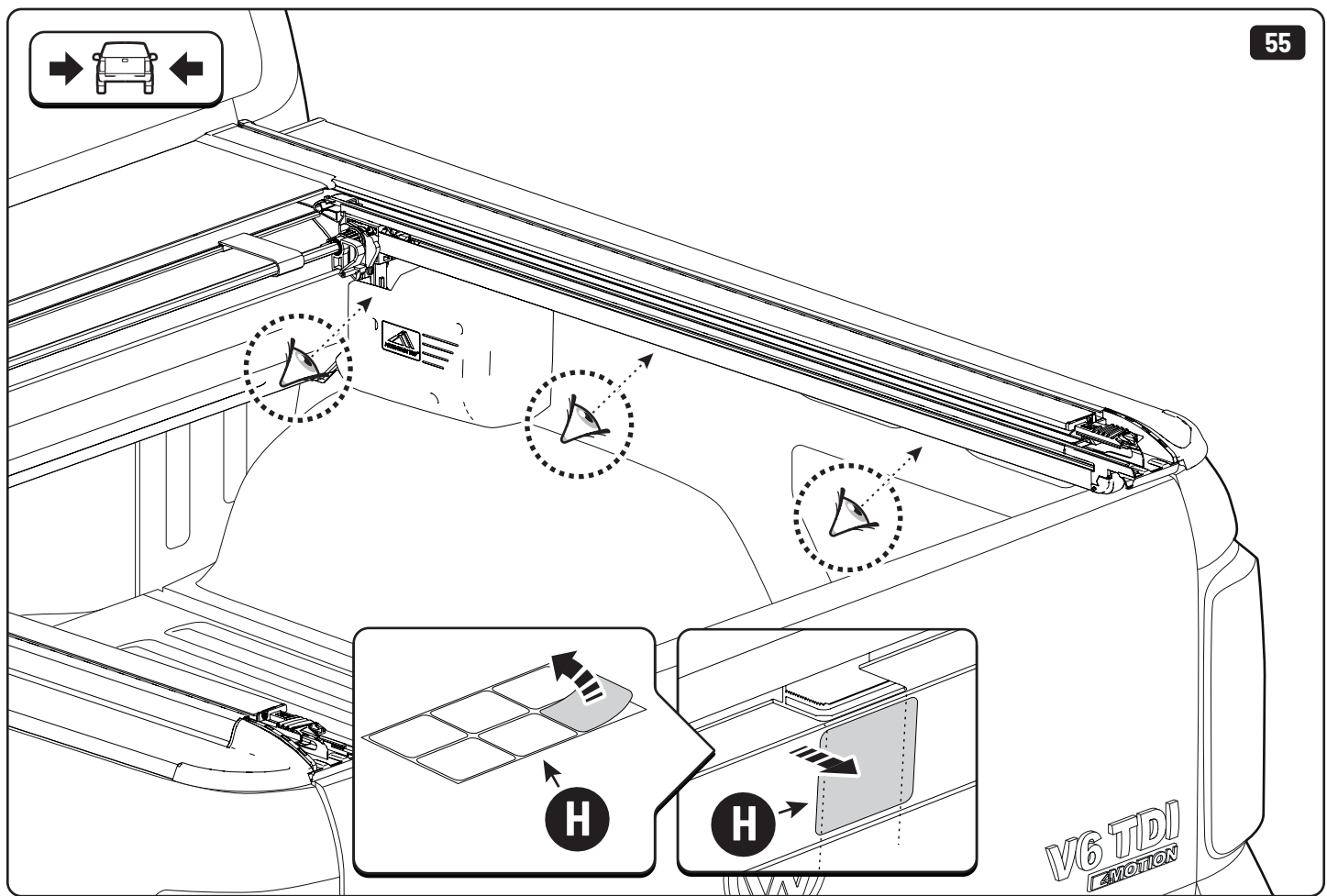
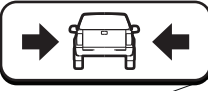






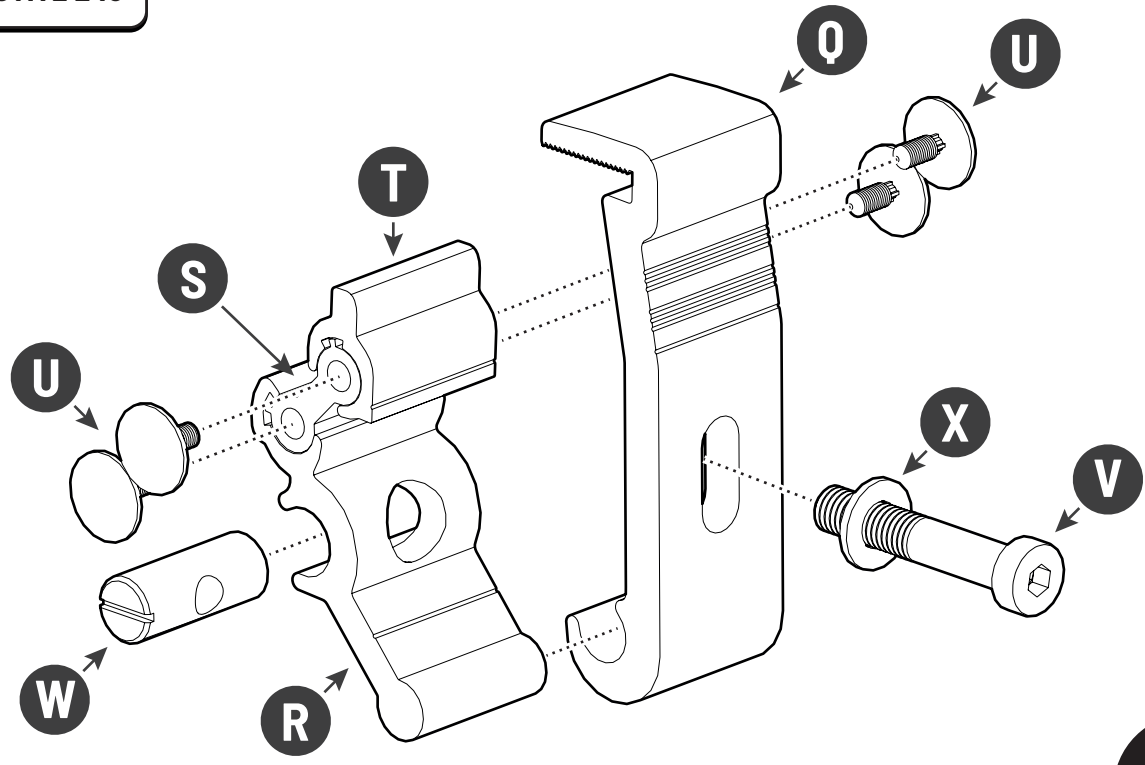




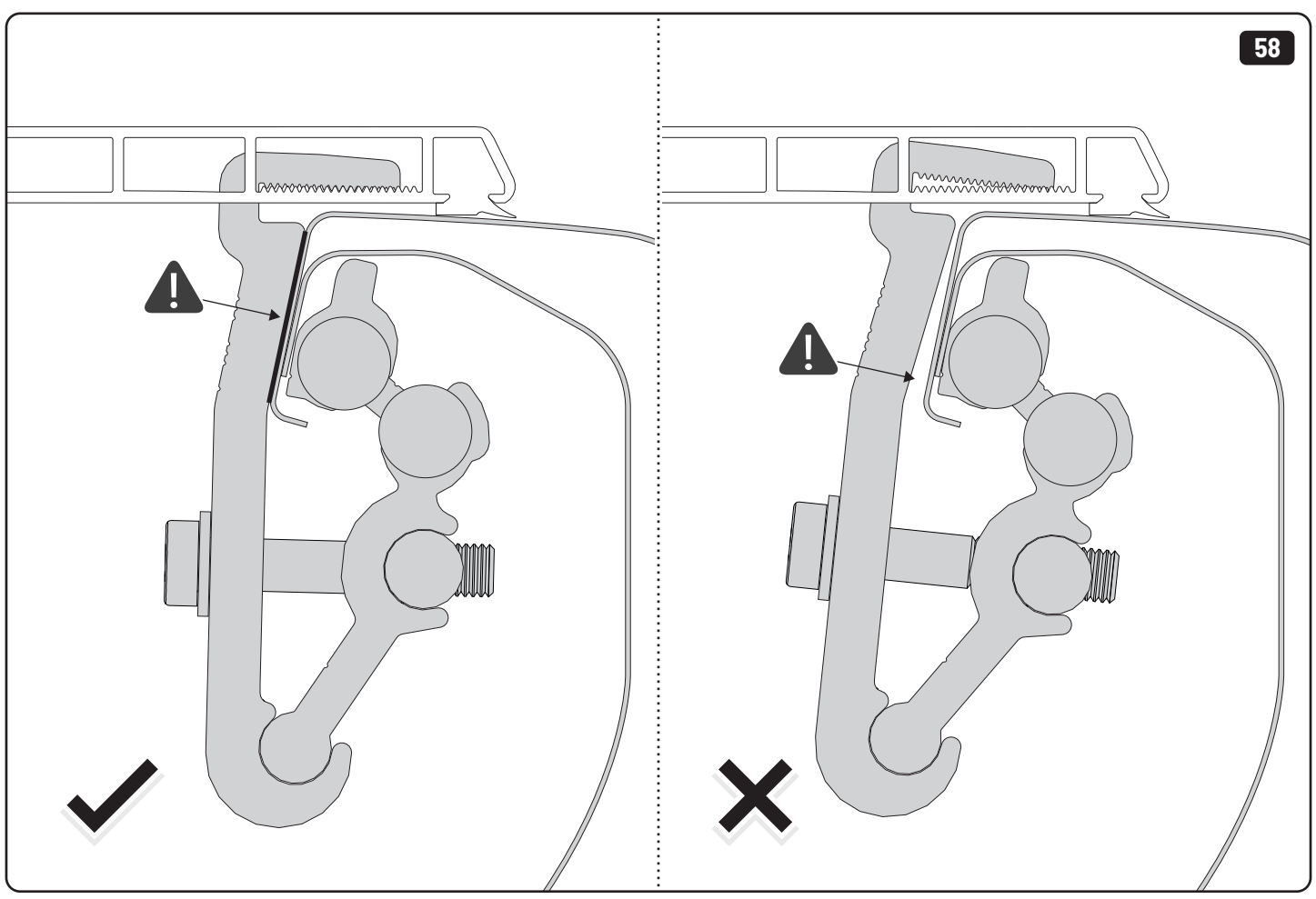
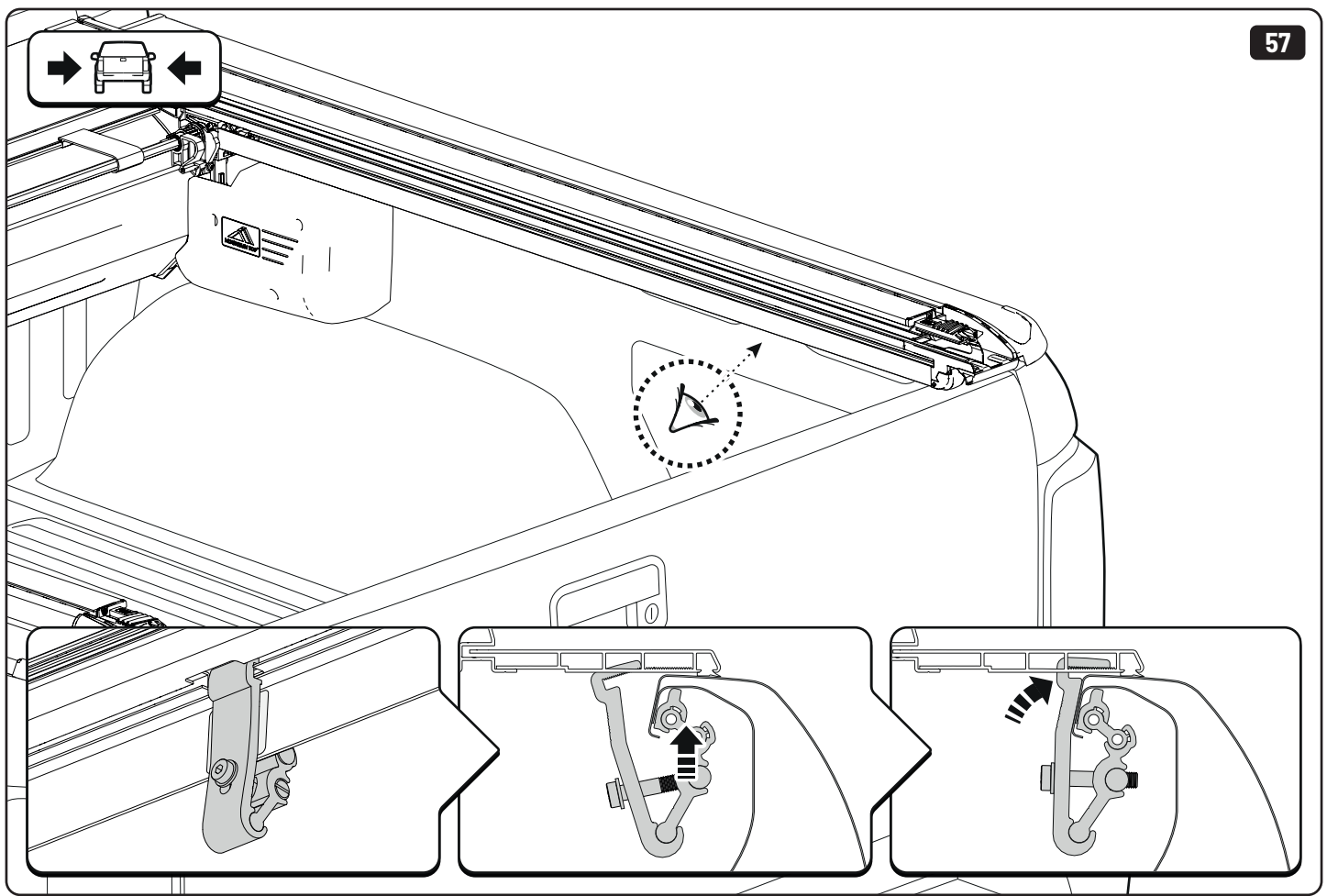


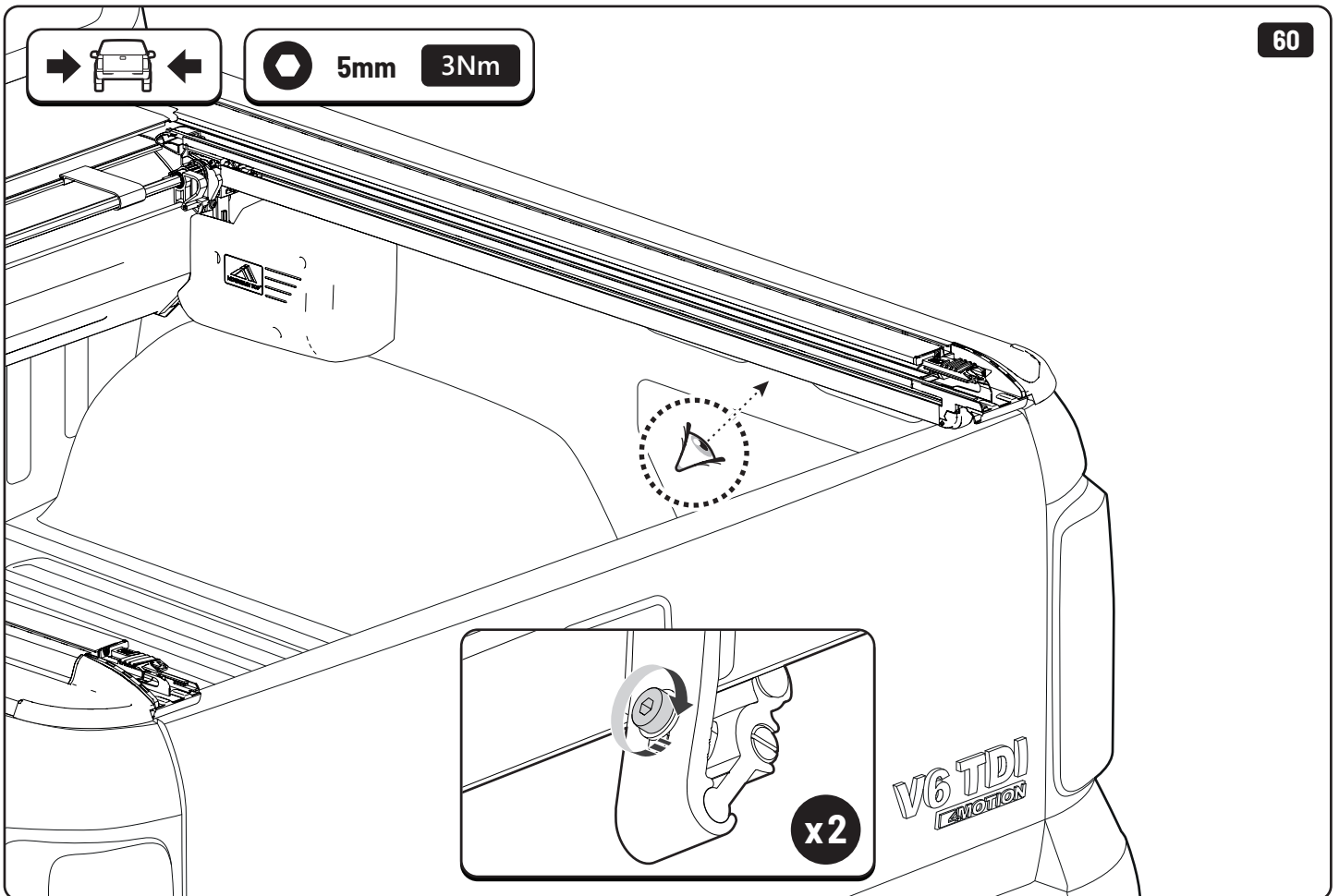
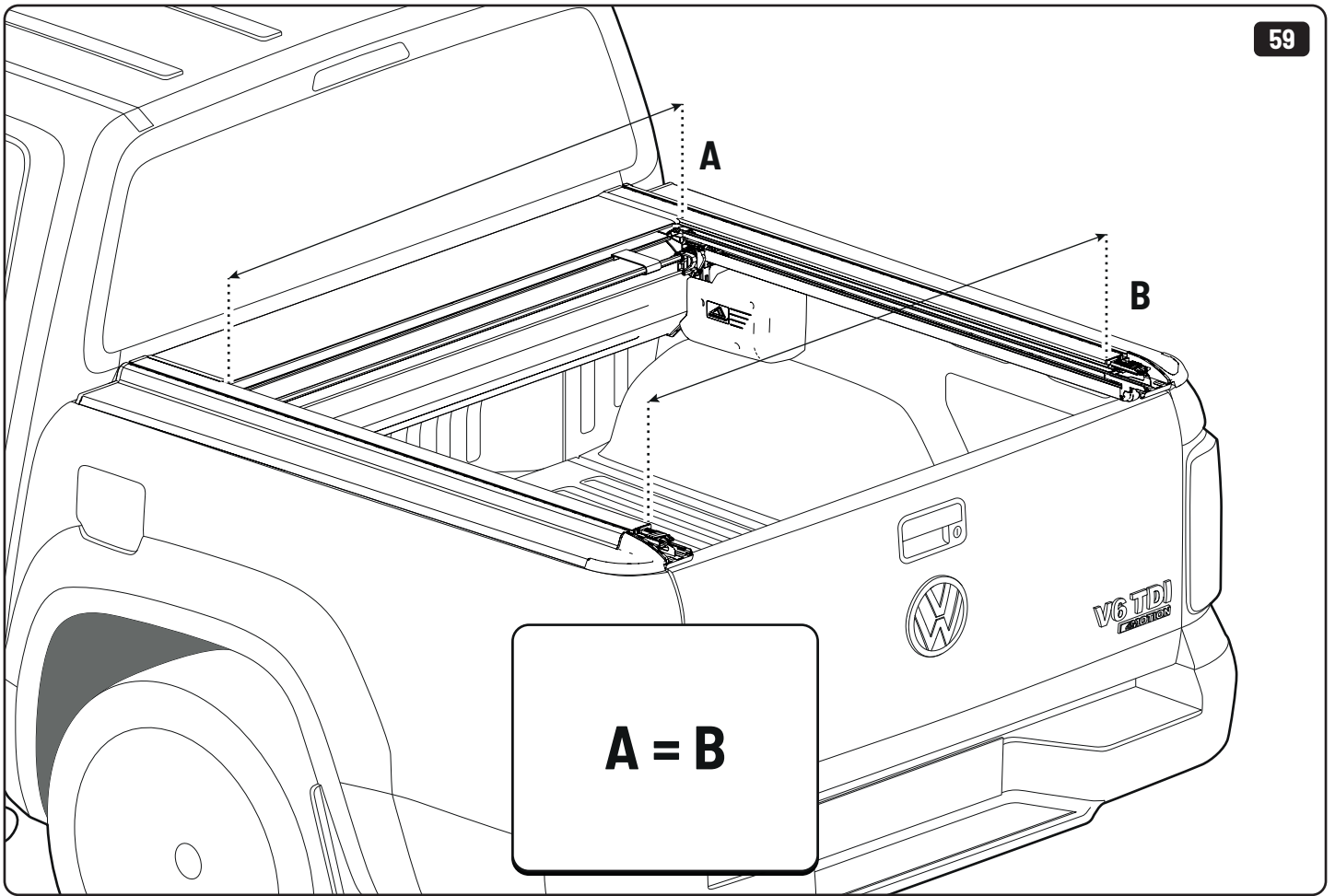
V6 TDI
4 MOTION

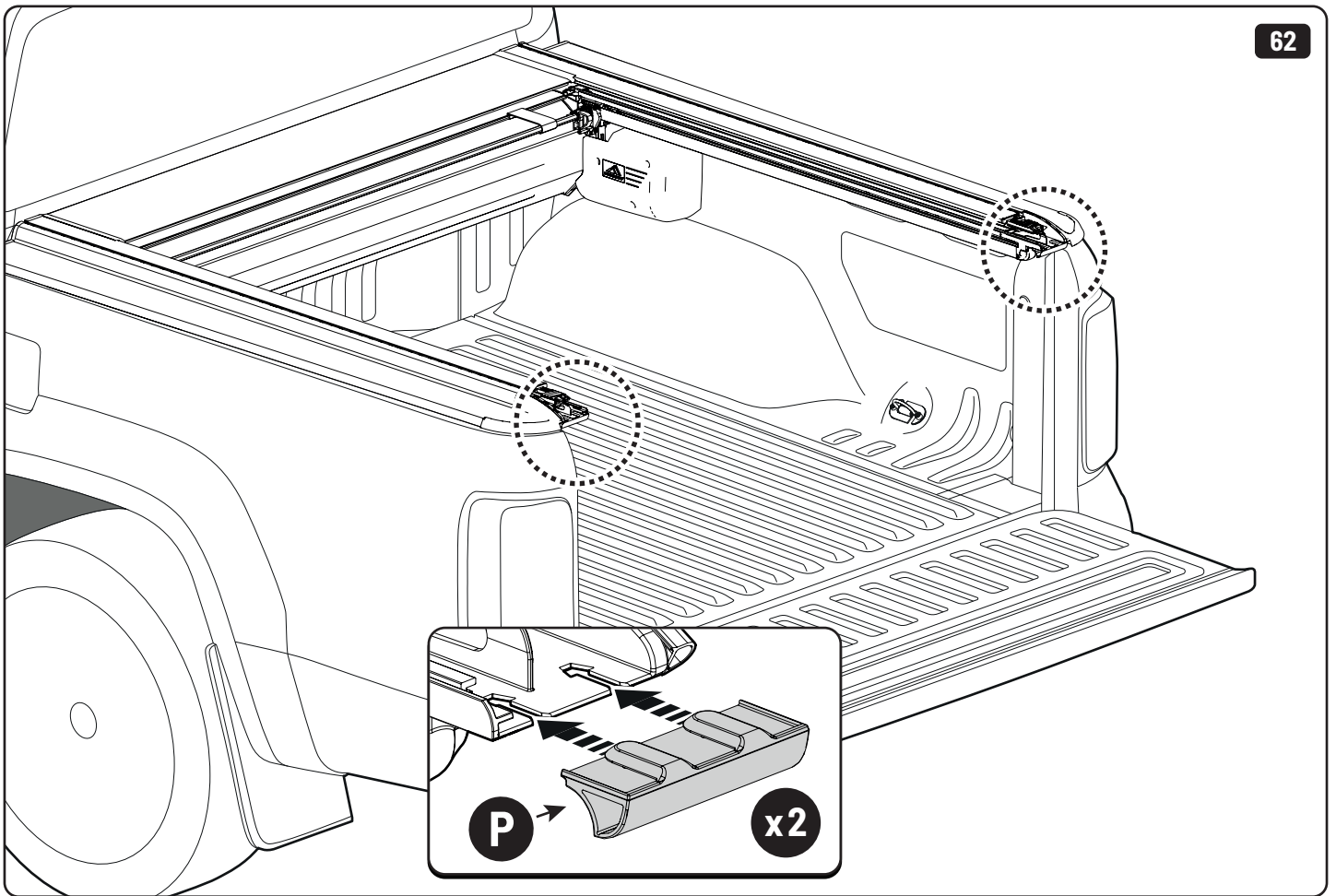
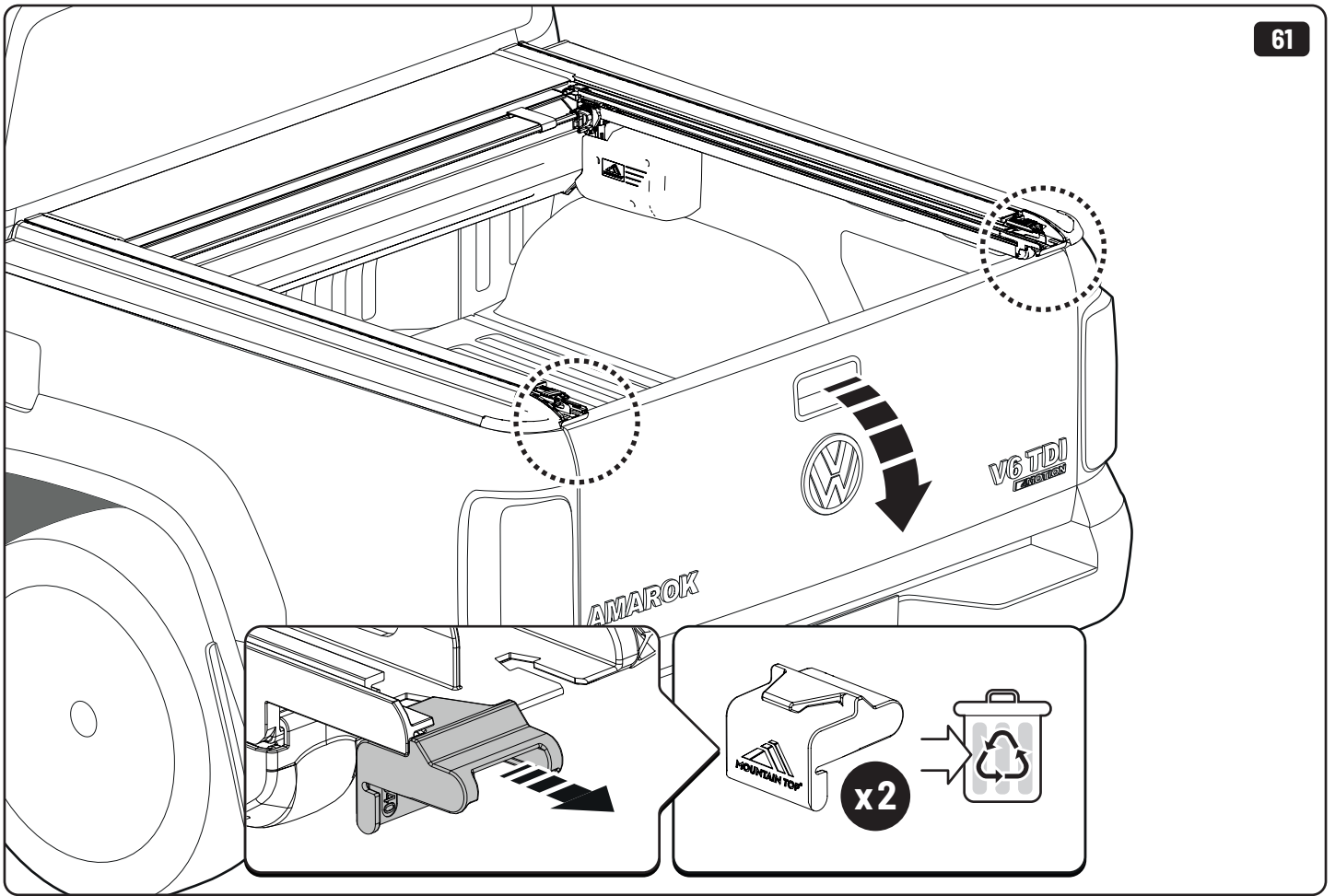
 LOCTITE 243

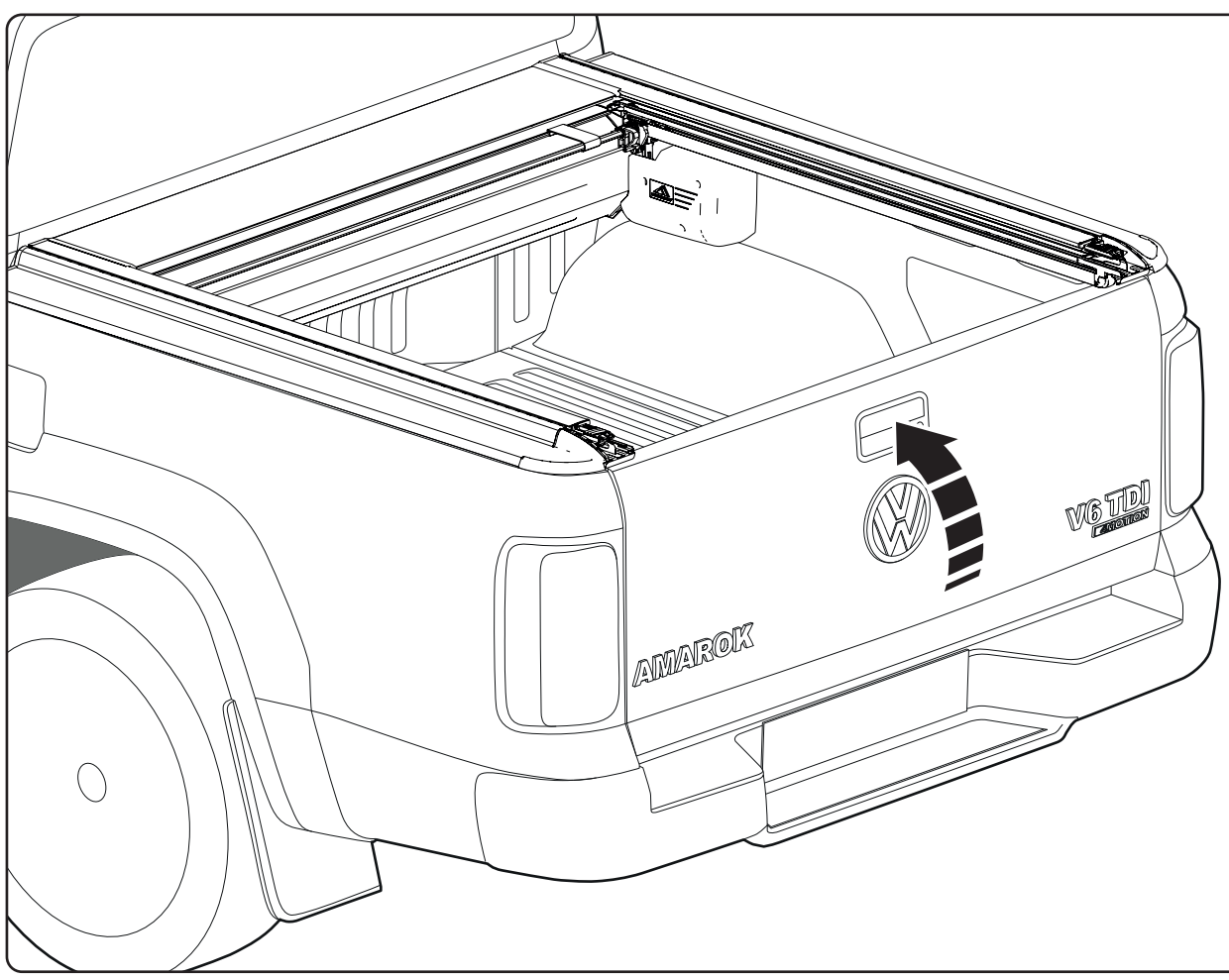
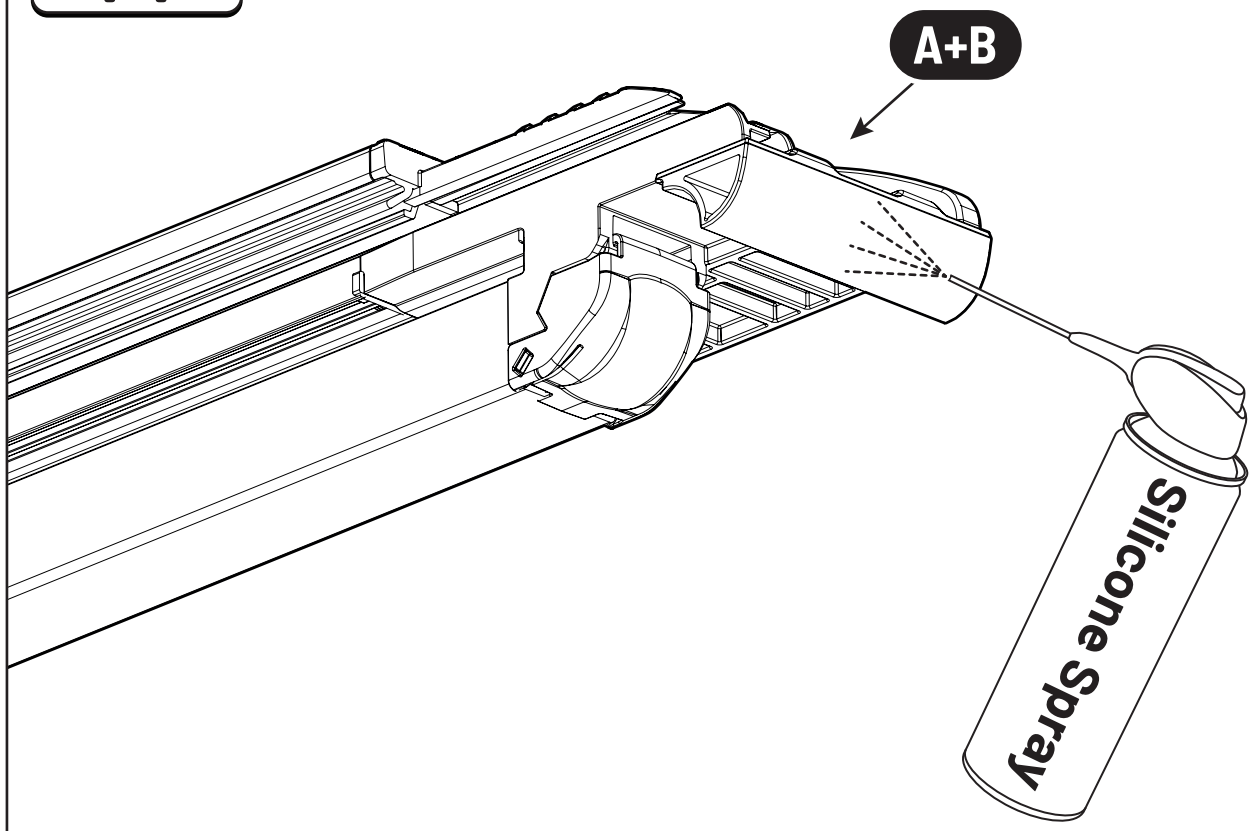
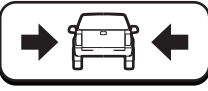


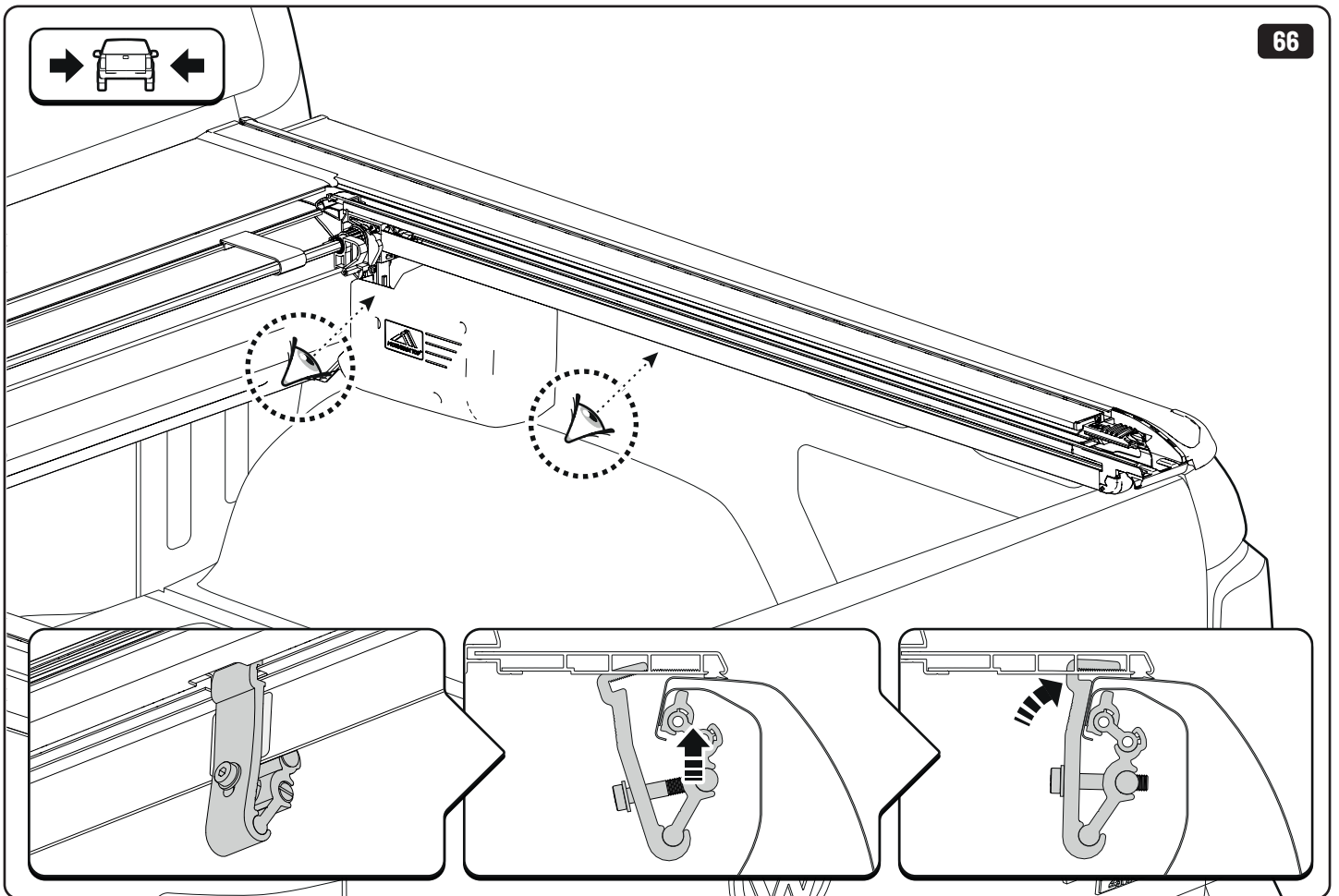
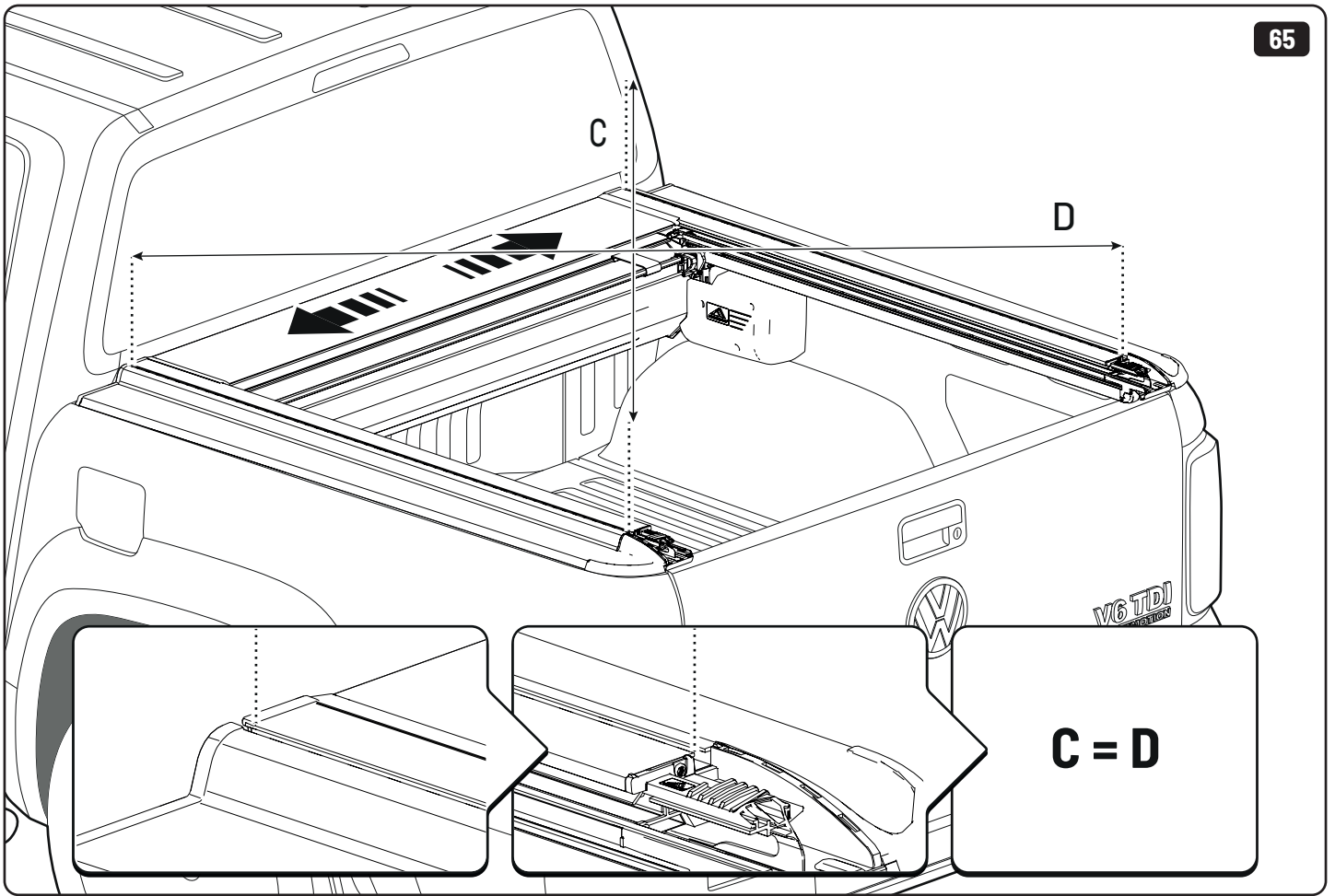
x6

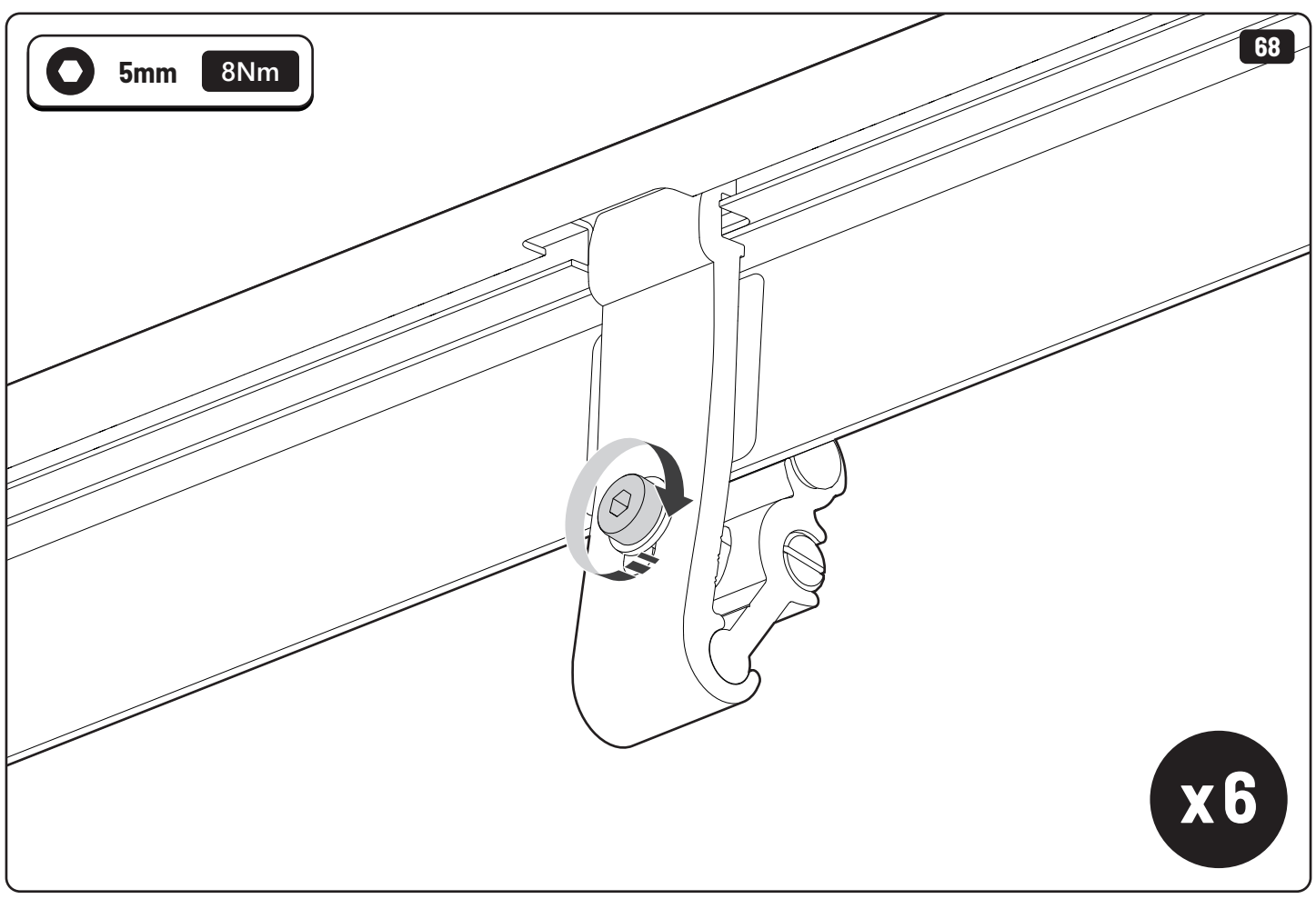
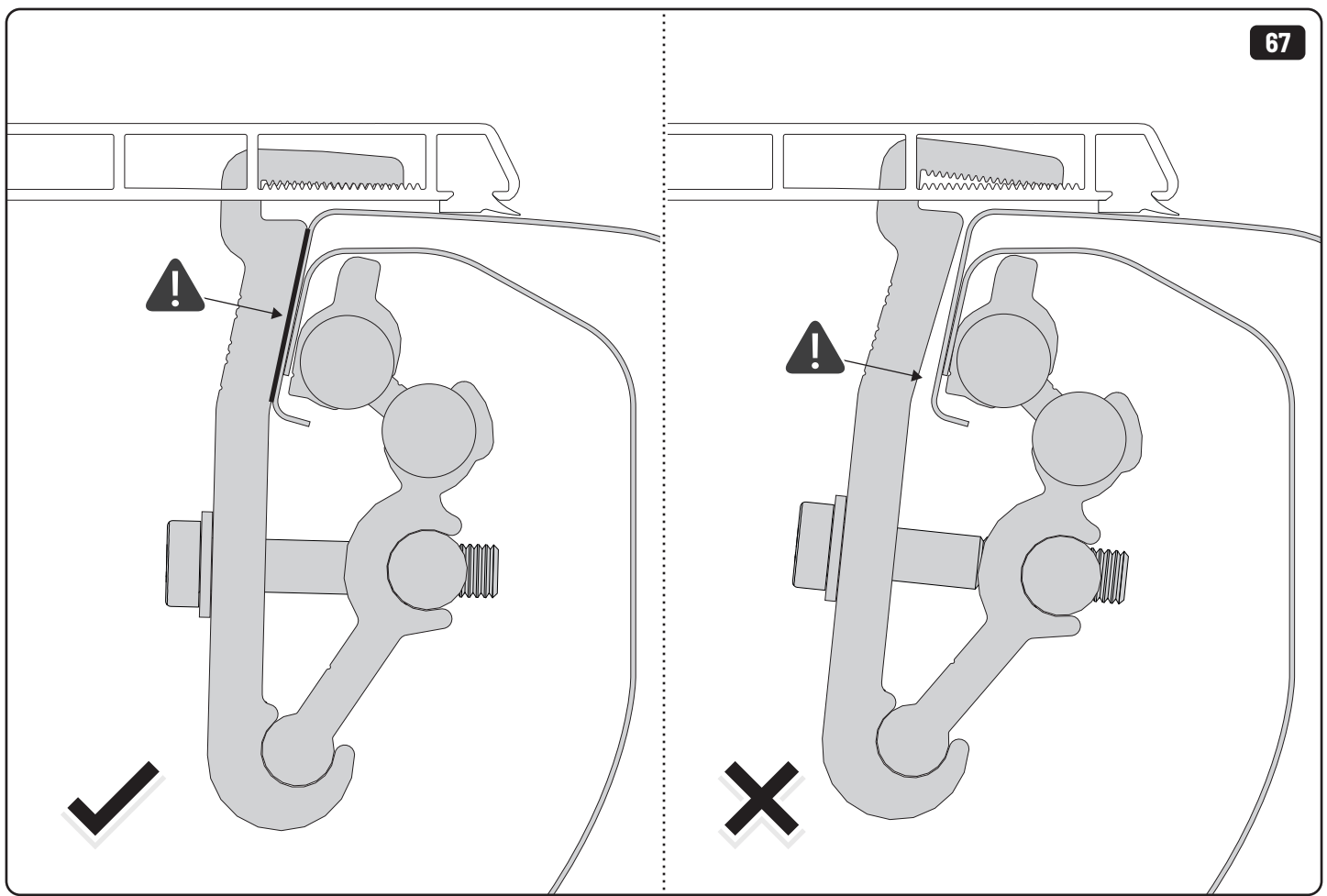


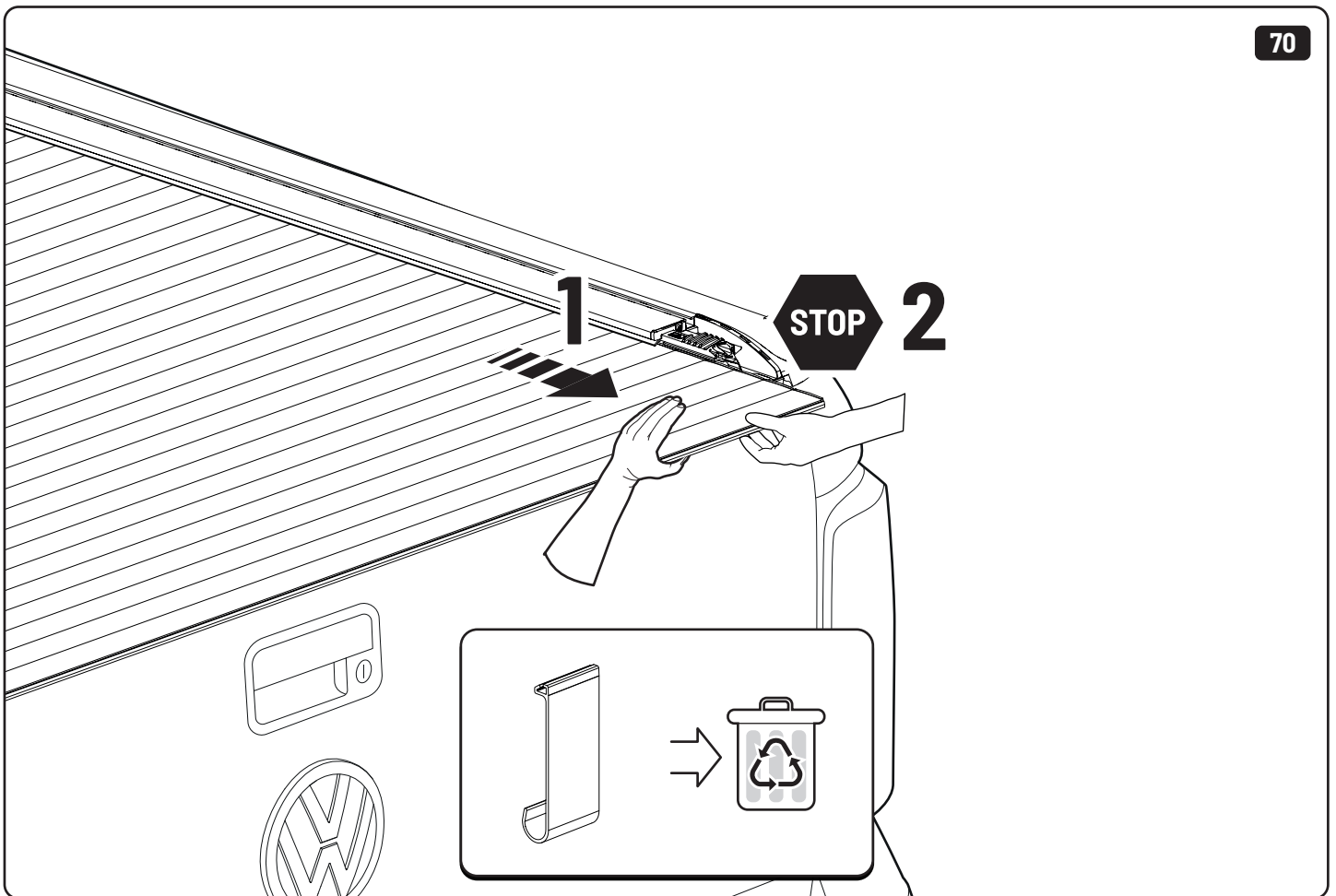
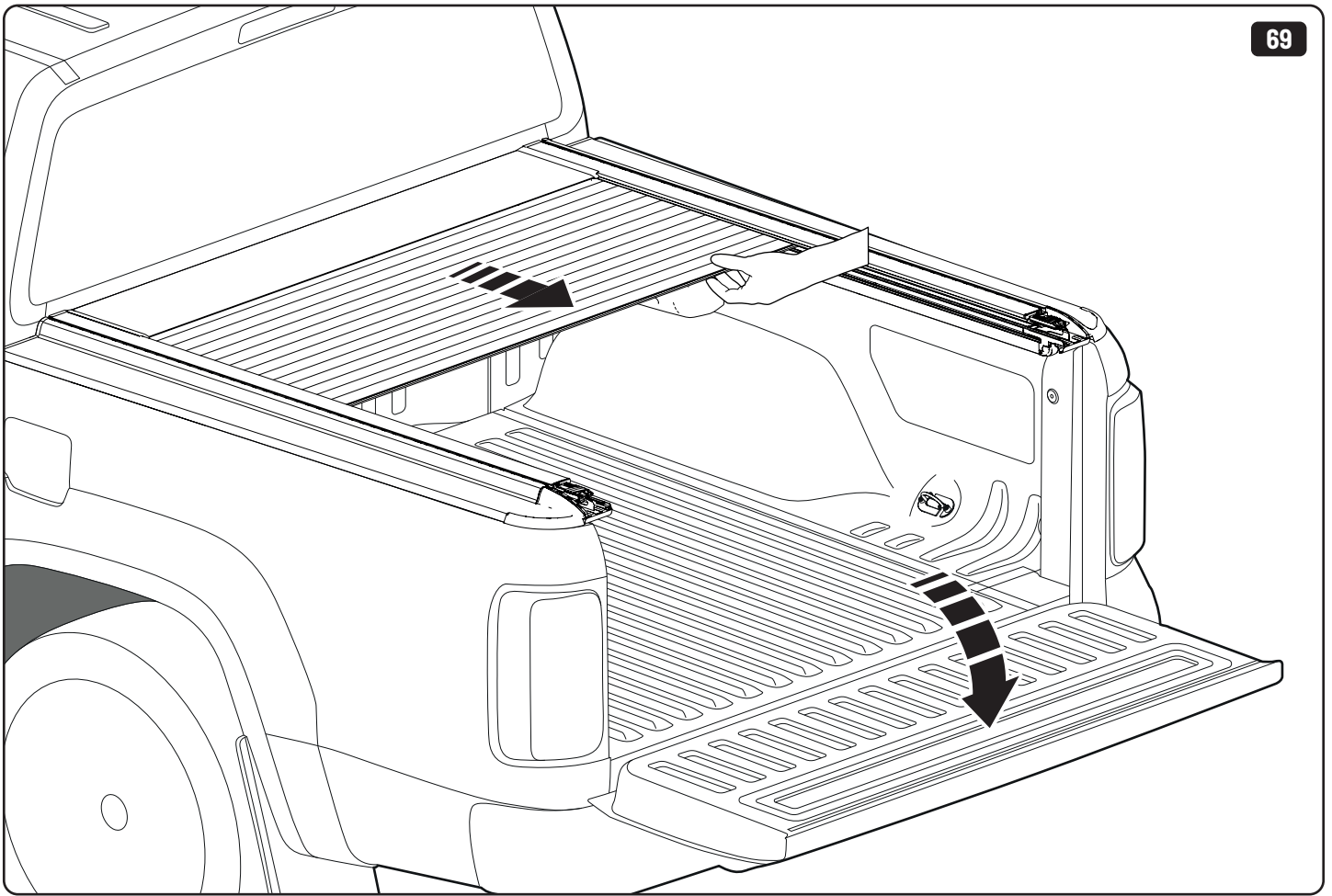


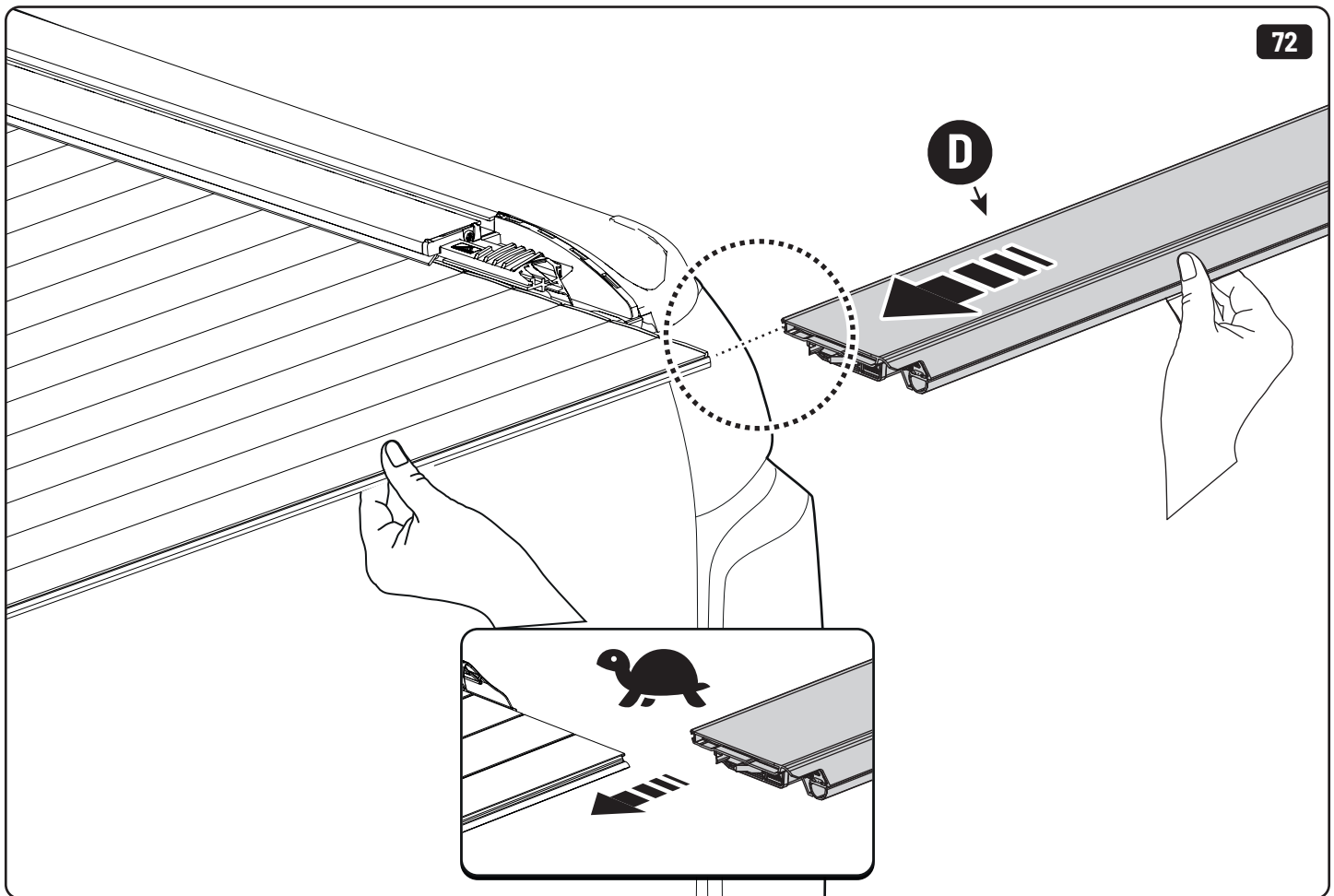
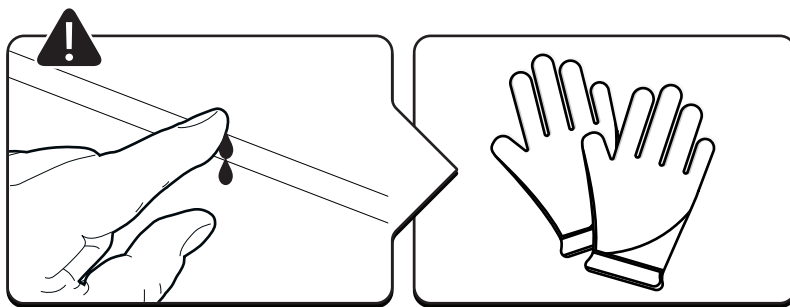
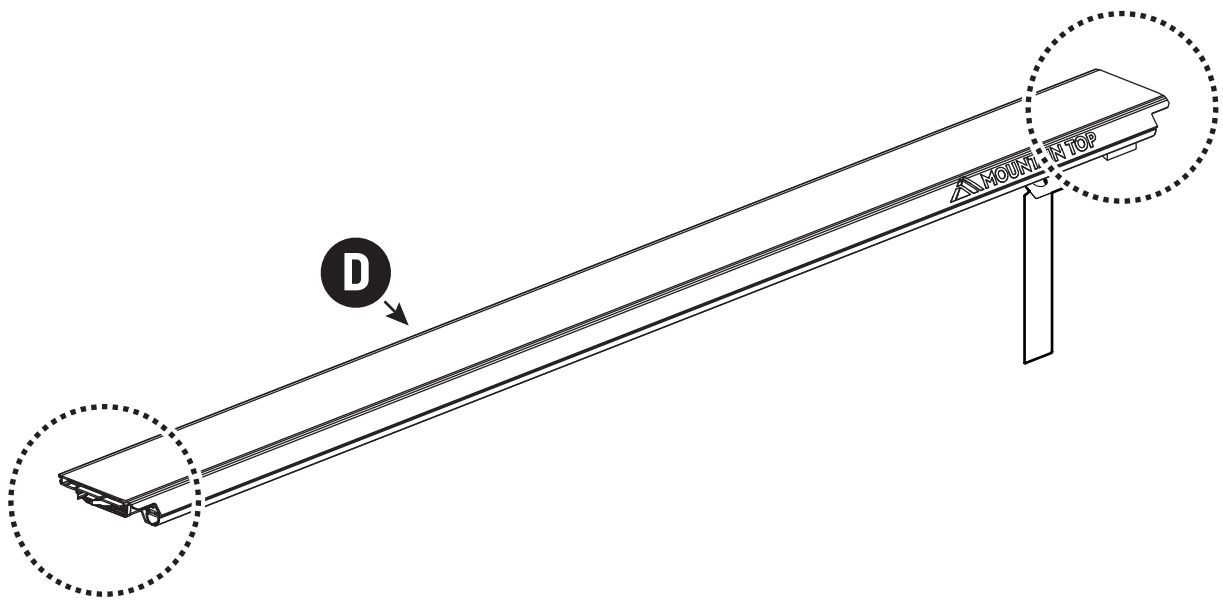


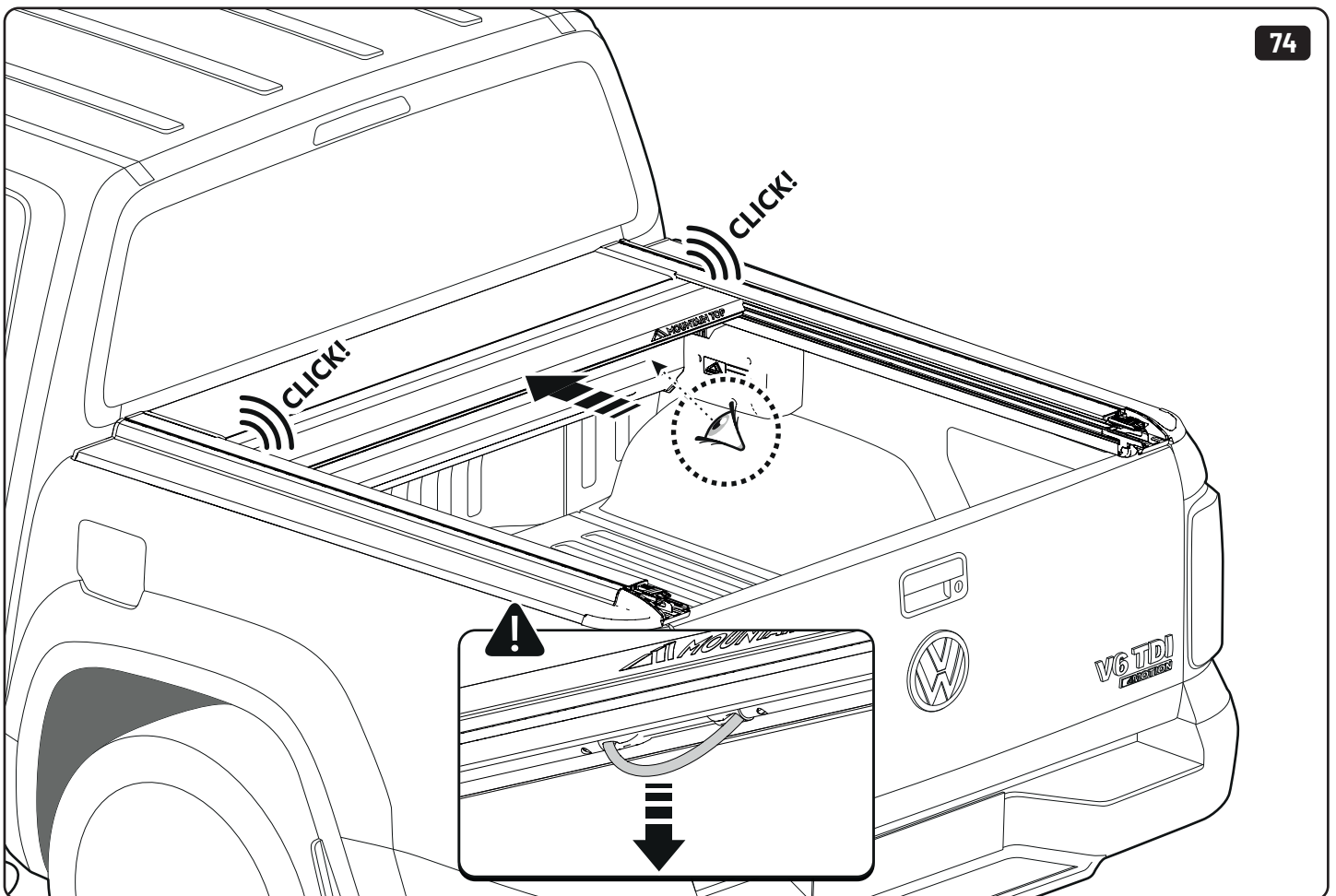
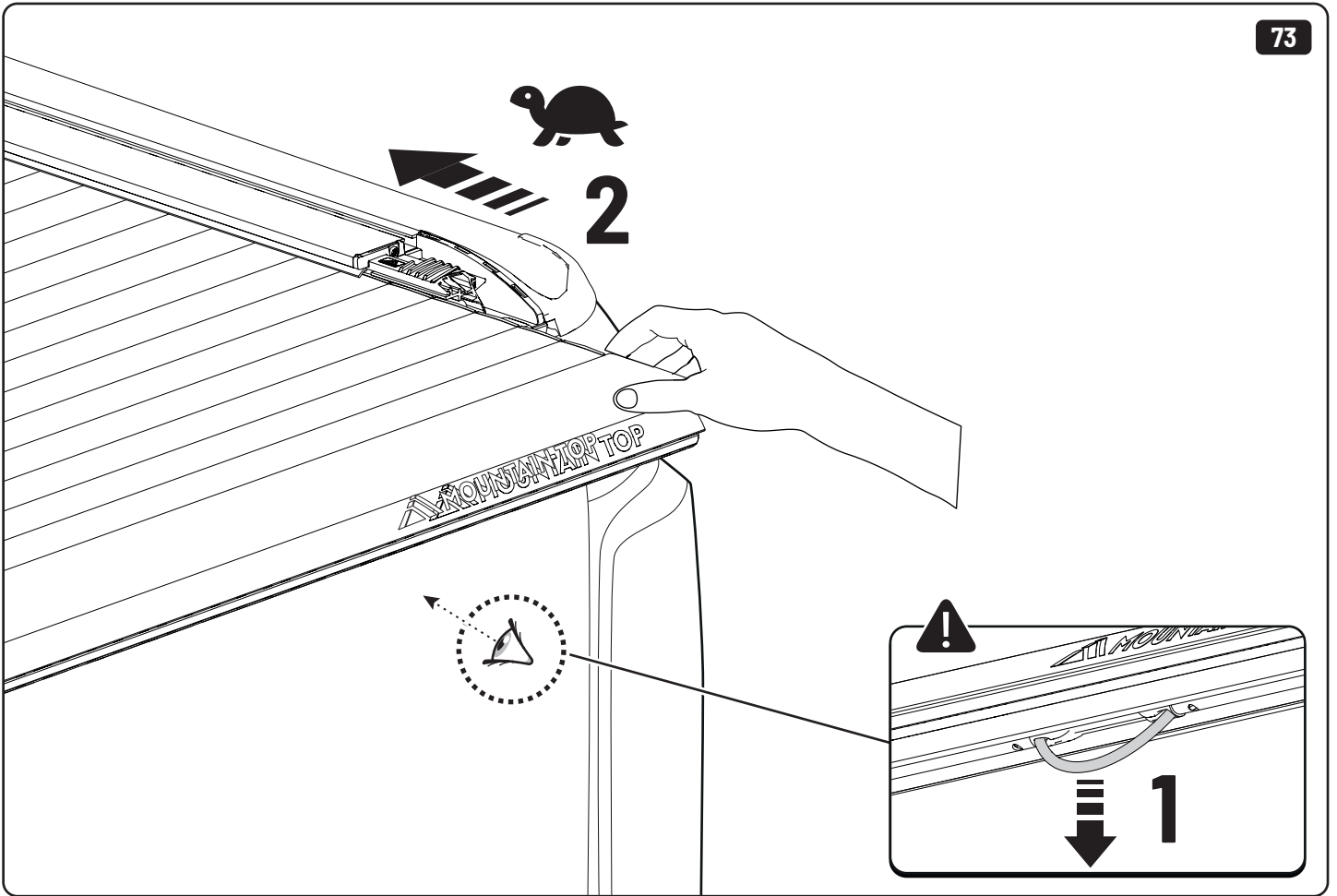


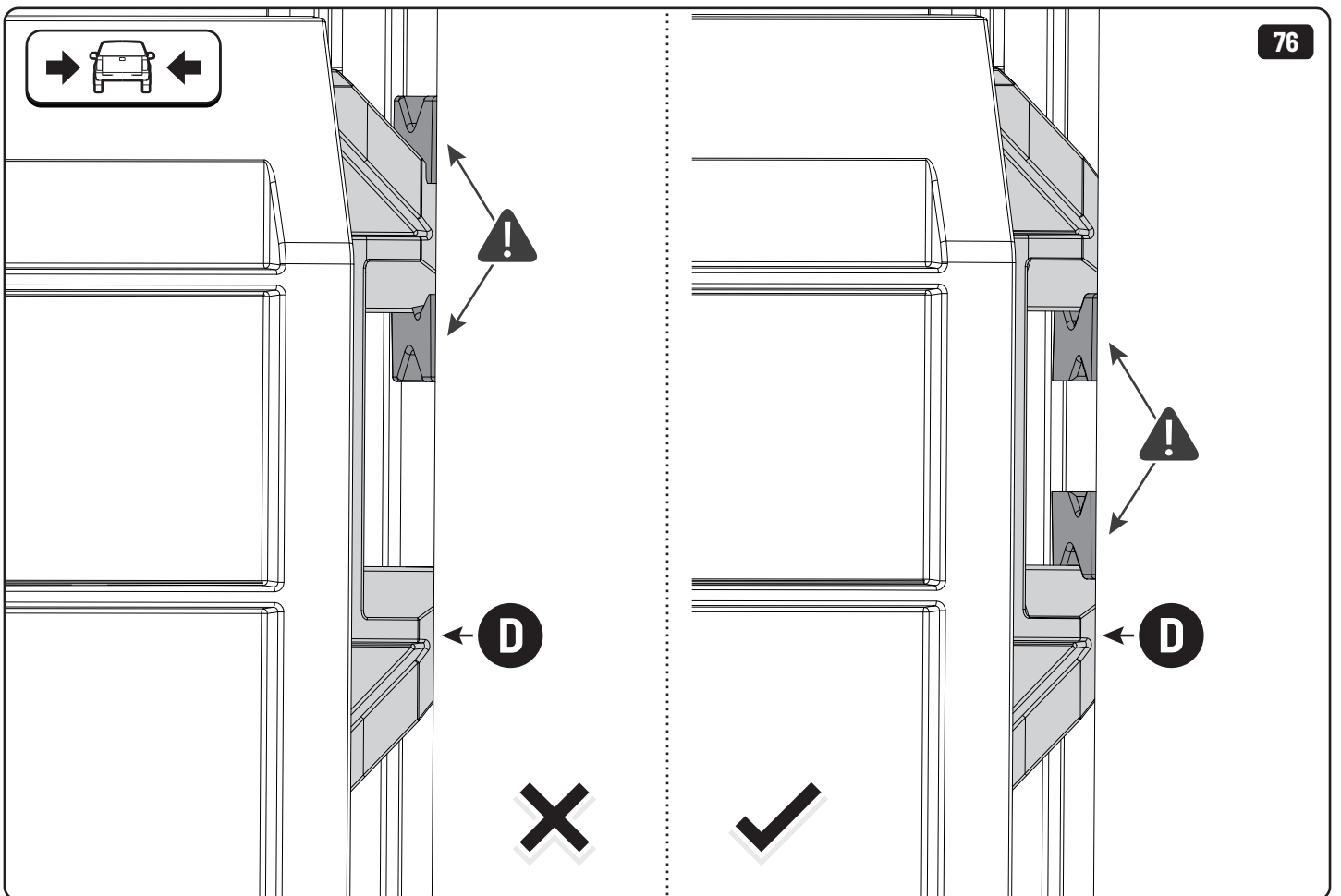
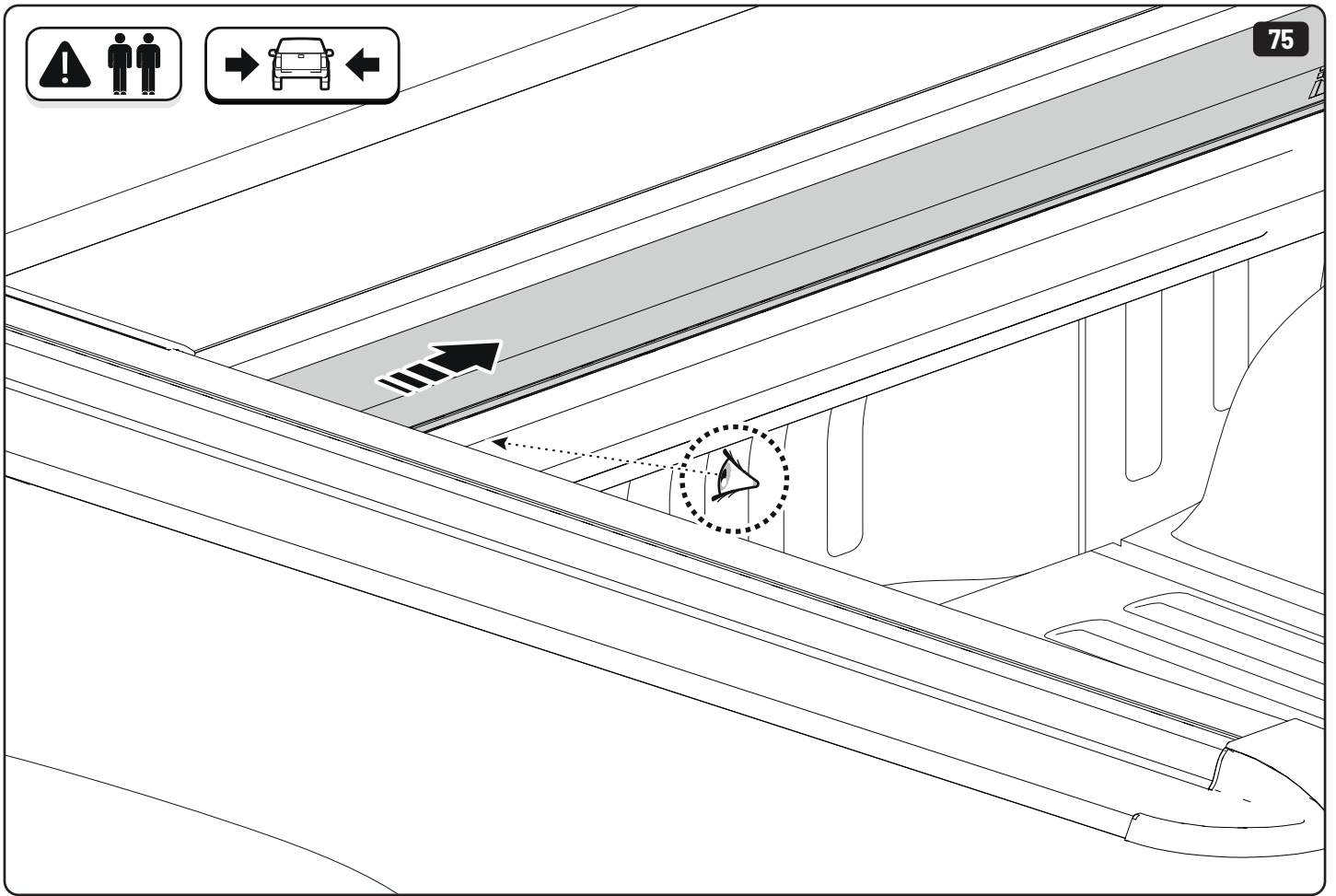


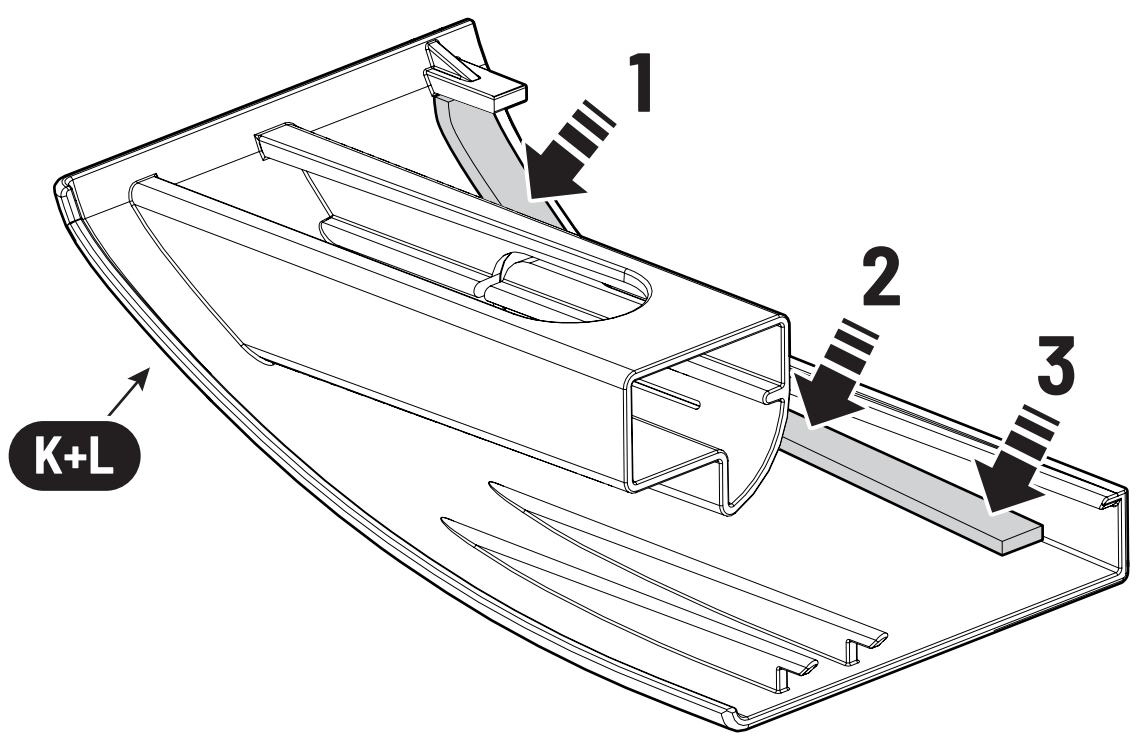
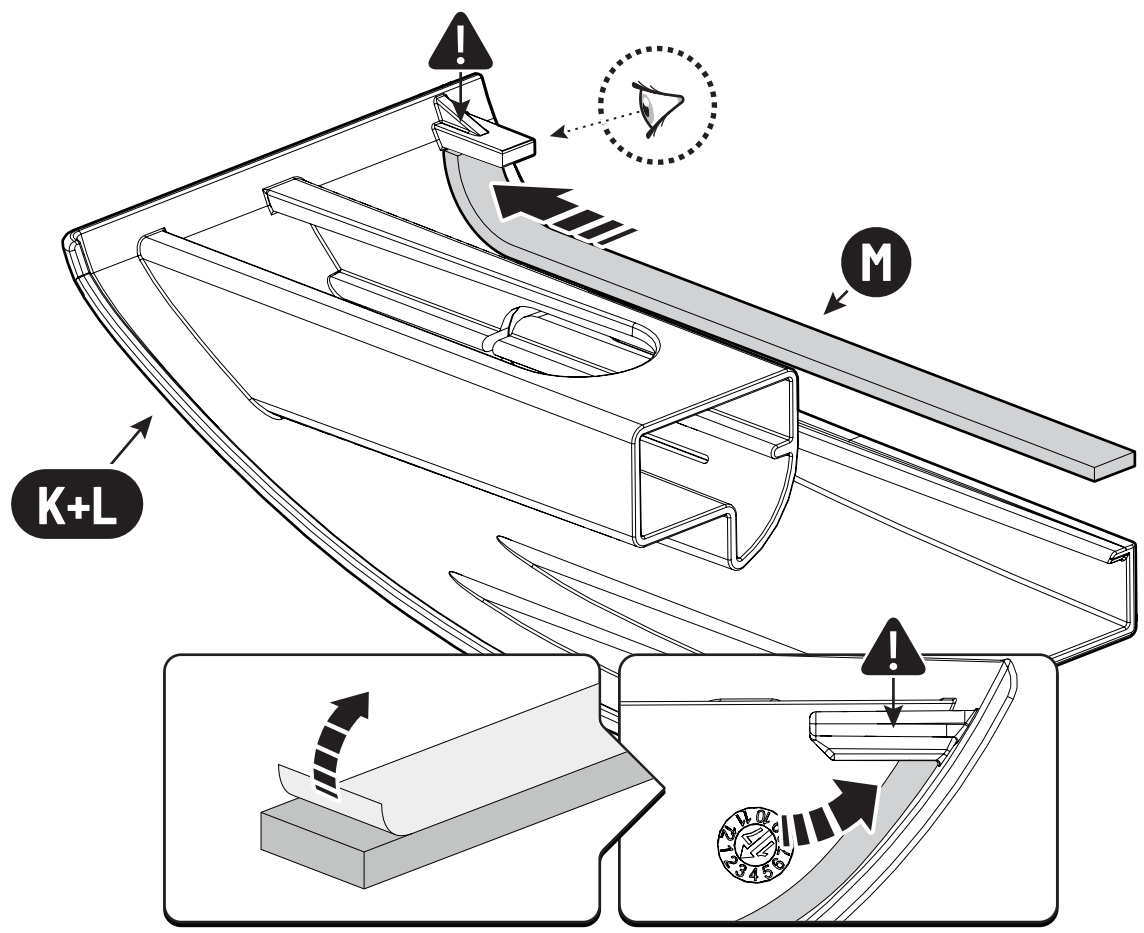


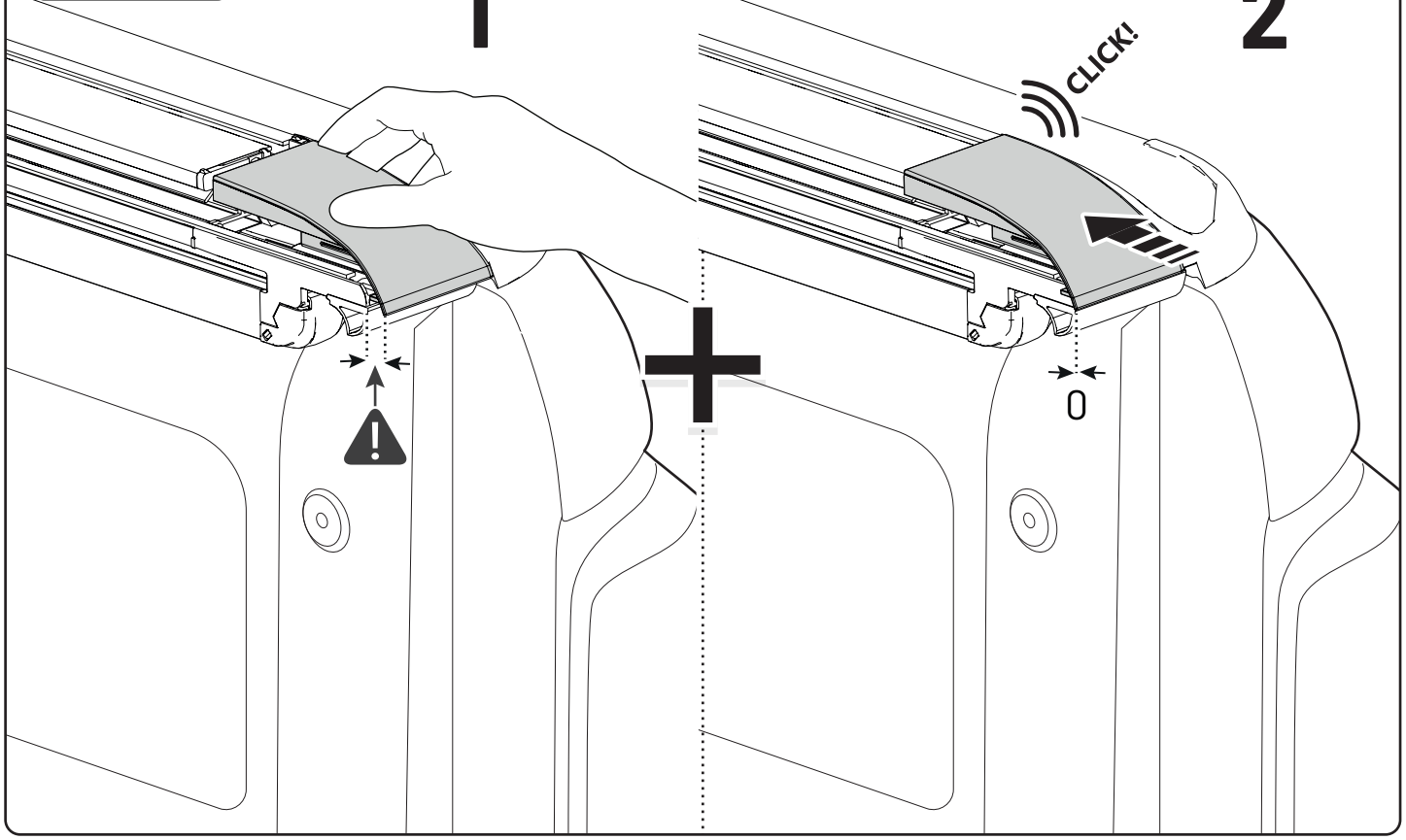
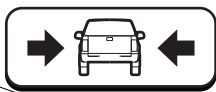
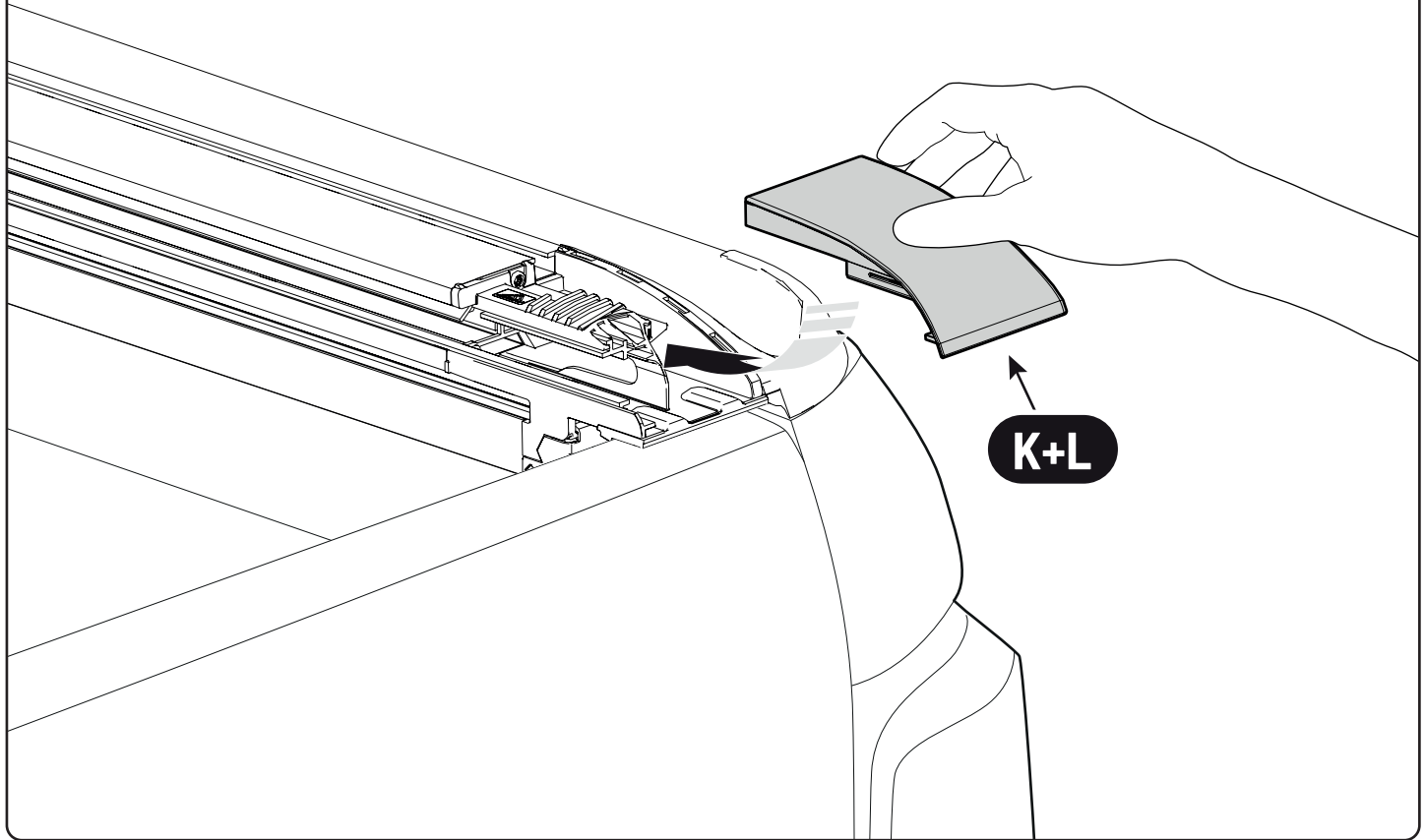
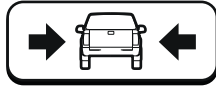


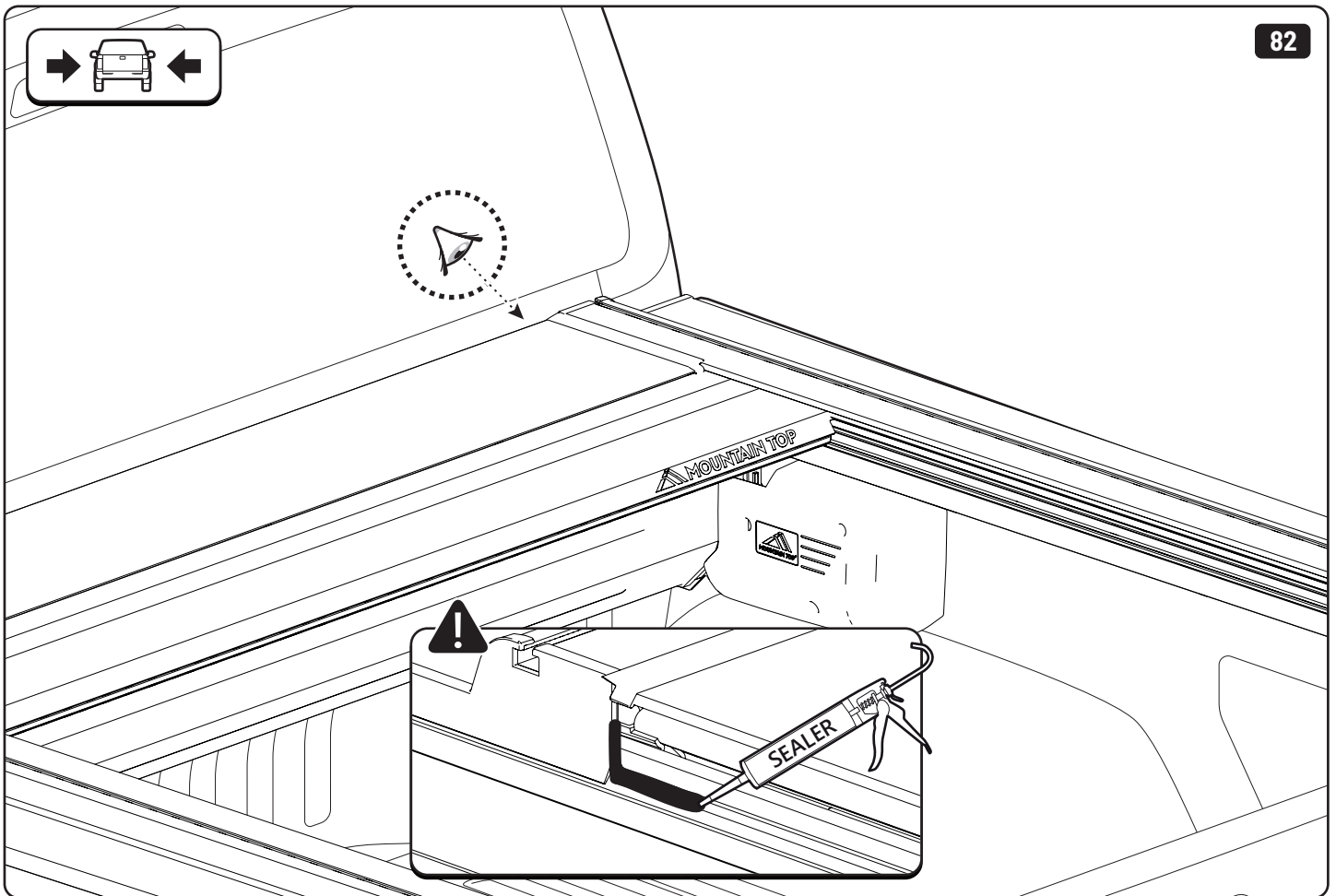
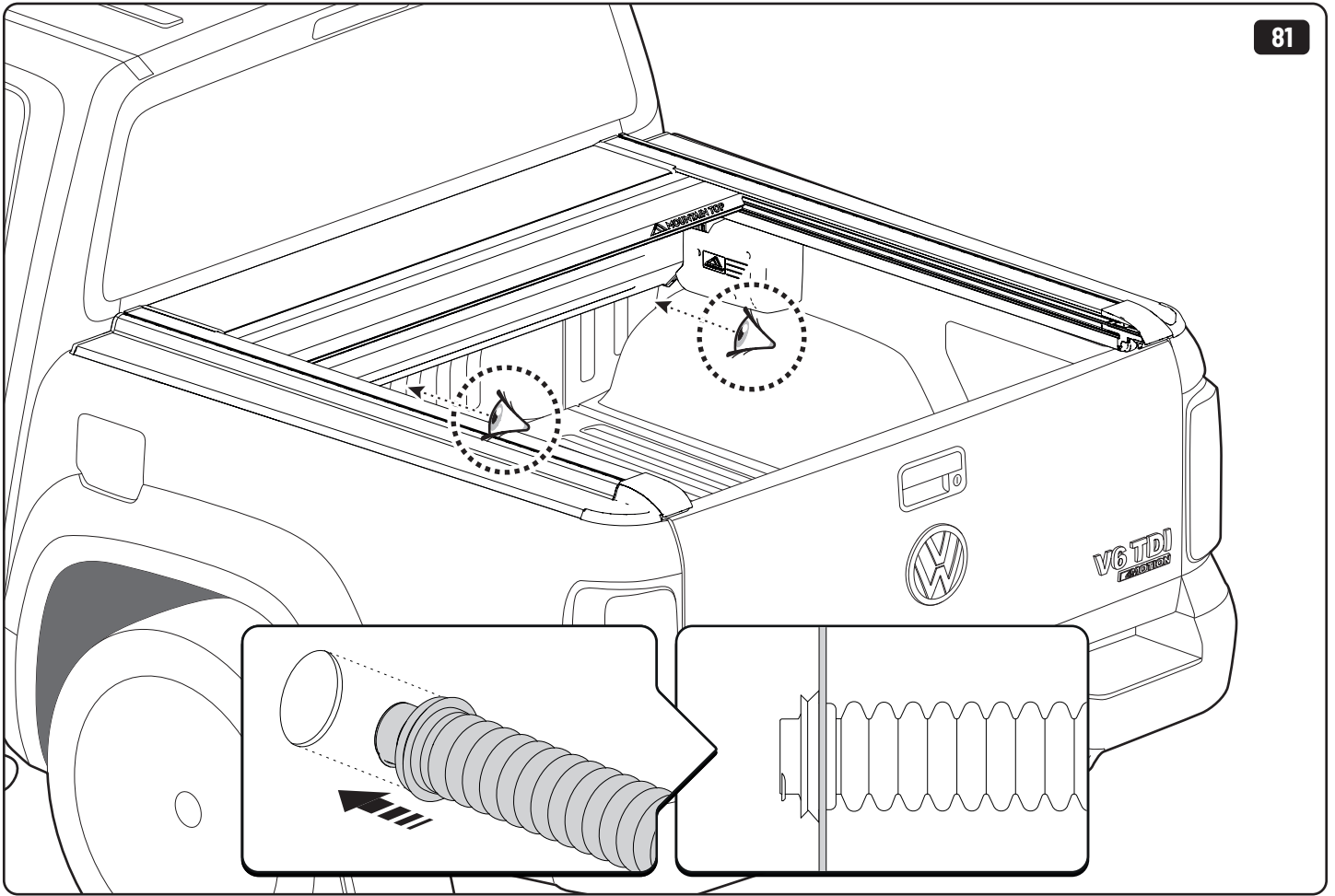


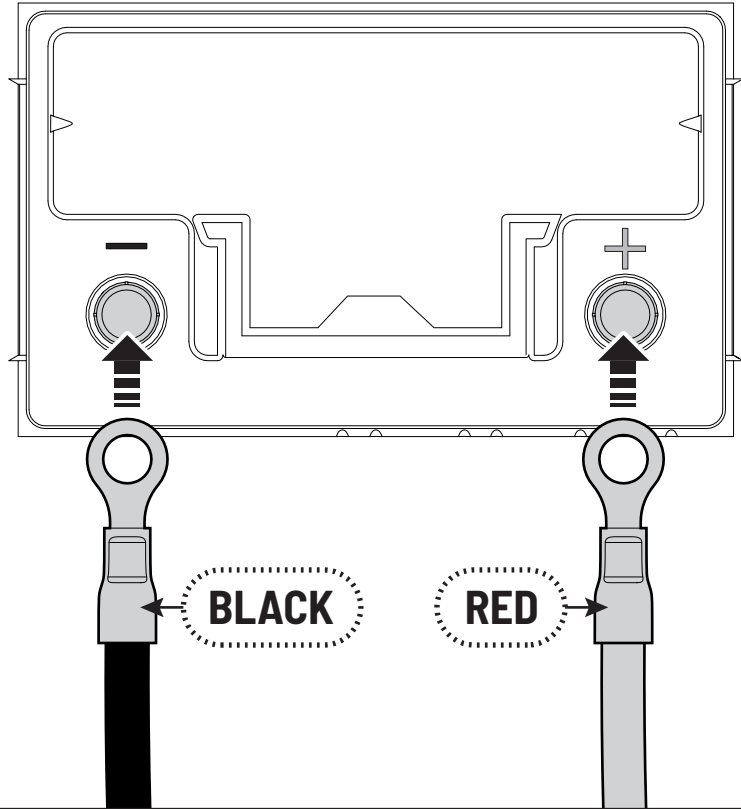




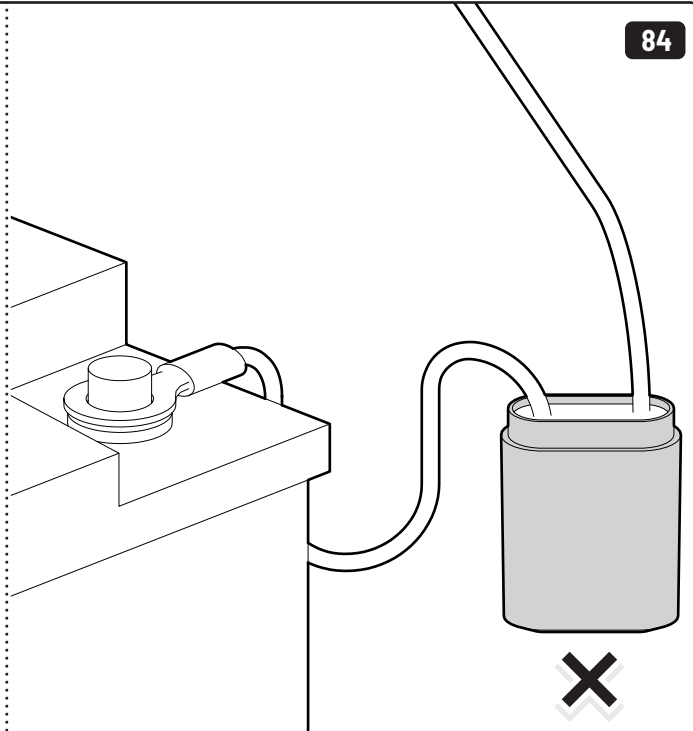
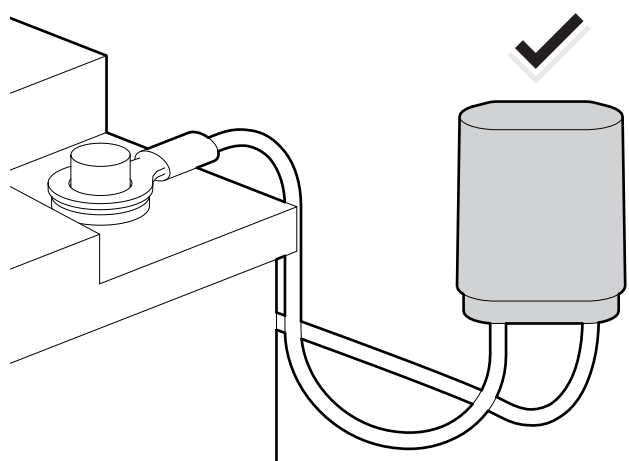




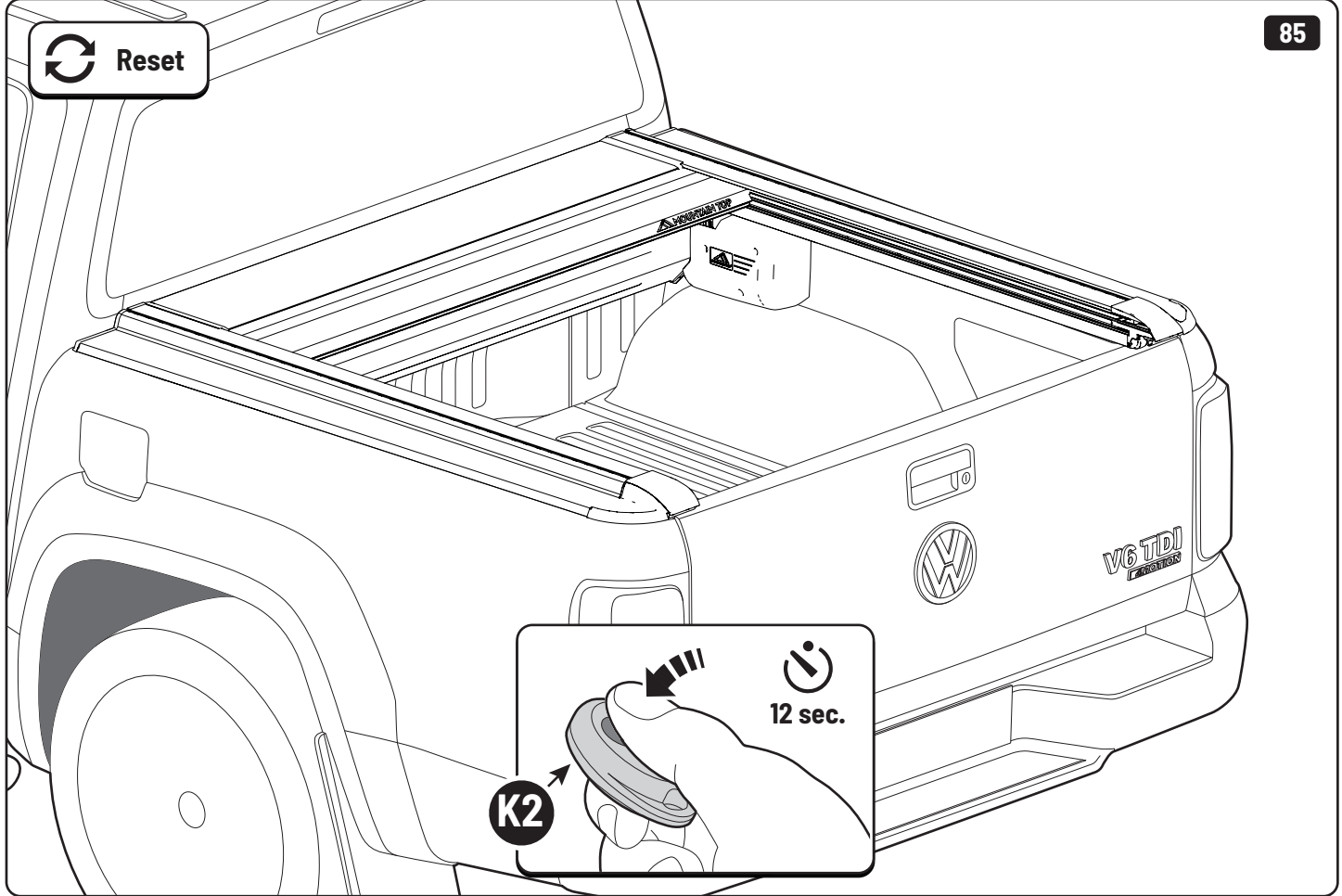




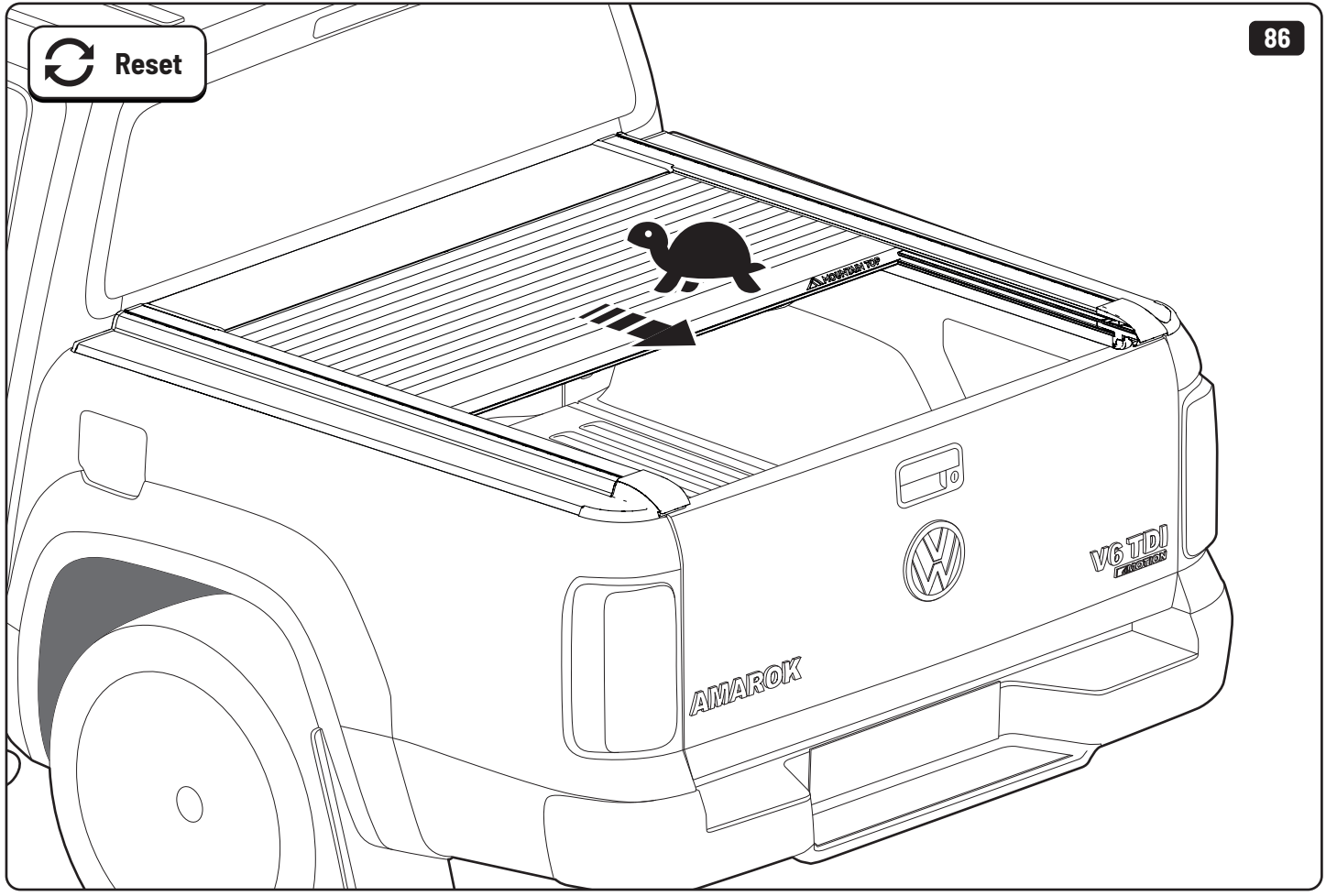
 **MAX 20A**

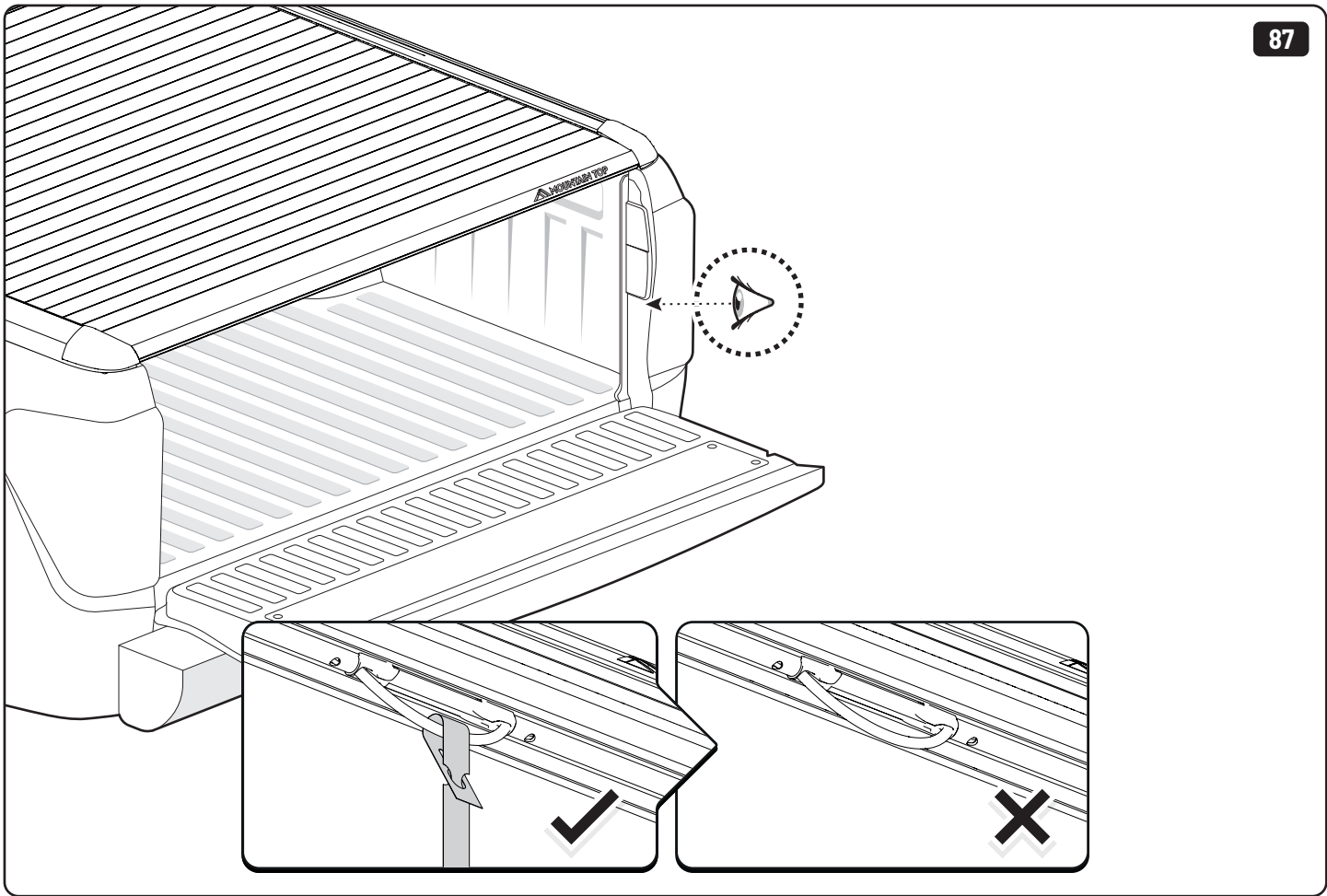


 Reset



 Reset







Steps	Page	Done by
Mounting rubber cross	8	
Mounting gliding rail in canister	14-15	
Holes for drain	26	
Width + Cross measurement	38+41	
Tightening bolts	38+42	
Mounting drain	49	



Customer Service +45 4810 2950 (08:00 - 16:00 CET)
Support info@mountaintop.dk
Website www.mountaintop.dk
Address Pedersholmparken 10, 3600 Frederikssund, Denmark

Part number (s)	Model / Year	Cab type (s)	Installation time	Weight
EVOe VW80 PB01	Amarok / 2016 ->	Double Cab	1 hour (s)	43 kg

GB Installation manual	S Monteringsanvisning	D Einbauanleitung
SF Asennusohje	E Instrucciones de montaje	CZ Návod k instalaci
F Notice de montage	H Szerelési utasítás	I Istruzioni di montaggio
PL Instrukcja montażu	P Instruções de instalação	GR Οδηγίες Εγκατάστασης
NL Installatie-instructies	RUS Инструкция по установке	DK Monteringsvejledning
TR Montaj Talimatı	N Monteringsveiledning	RO Instructiuni de instalare