

- Extra reinforced steel cast body.
- Lightweight and strong design.
- 100% Holding negative-acting hydraulic brake system.
- Standard pressure roller and roller fairlead.
- Easy assembly, high rope capacity and high torque hydromotor.
- Standard manual rope unloading system.
- CE Machinery Directive 2006/42/EC
- Meets SAE J706 rating

Specifications

- Max. pulling capacity** : 35000 kg (77140 lbs)
- Max. rope length** : 80m (262 ft)
- Recommended wire rope** : 26 mm (1") 2160Mpa
- Hydromotor** : 125cc (7.5 in³)
- Max. pump flow** : 60 L/min (15.8 g/min)
- Gear ratio** : 234 : 1
- Oil types and capacity** : 85W 140 - 16L
- Max. working pressure** : 160 bar (2320 psi)

Winch : (kg / lbs)
738.4 kg (1627.4 lbs)

Roller Fairlead : (kg / lbs)
50 kg (110.2 lbs)

Cable Tensioner : (kg / lbs)
12 kg (26.4 lbs)

Mounting Bolts : (kg / lbs)
20 pieces M22 8,8

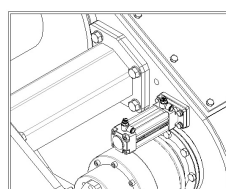
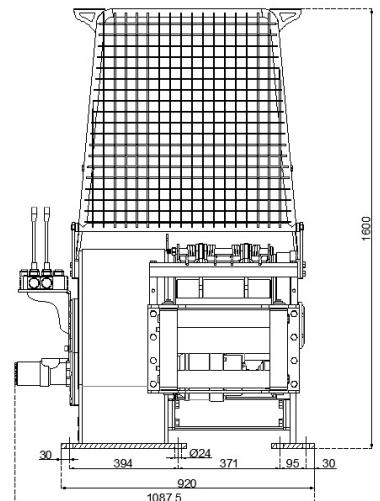
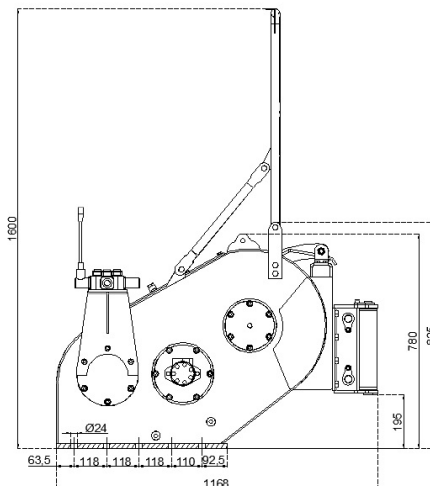
Standards Hydraulic Inlets
Cable tensioner G 1/2"
Roller Fairlead

Optional
IP67 - IP 68

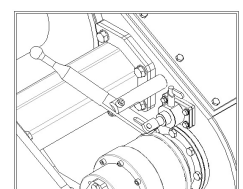
Warning !

- Before operating the winch, A-B lines must be open to T line (tank line) of the control valve in center position.
- This winch is designed and manufactured for pulling, don't lift person or material.
- Always keep last 5 wrap on the drum.
- The technical details given above are just for information.
- HAMMER WINCH keeps the right to change the technical details.
- Pneumatic working pressure : Min 9 bar - Max 12 bar (Min130 psi - Max 174 psi)
- Do not pull a load in fast rope winding mode as the brake system is not activated!

Rope Winding Layer	Pulling Capacity kg / lbs	Rope Speed m / min- ft / min	Rope Length m / ft	No-load fast winding m / min
1	35000 kg / 77140 lbs	1.4 m/min - 4.5 ft/min	9.3 m / 30.3 ft	15 m/min - 49 ft/min
2	29119kg / 64179 lbs	1.6 m/min - 5.3 ft/min	19.5 m / 64 ft	18 m/min - 58 ft/min
3	24930 kg / 54946 lbs	1.9 m/min - 6.2 ft/min	32.5 m / 106.6 ft	21 m/min - 68 ft/min
4	21794 kg / 48036 lbs	2.2 m/min - 7.2 ft/min	46 m / 151.5 ft	24 m/min - 78 ft/min
5	19360 kg / 42669 lbs	2.45 m/min - 8 ft/min	63 m / 206 ft	27 m/min - 88 ft/min
6	17414 kg / 38382 lbs	2.75 m/min - 9 ft/min	80 m / 262 ft	30 m/min - 98 ft/min



Activating or deactivating the high speed winding/unwinding mode pneumatically.



Activating or deactivating the high speed winding/unwinding mode manually.