

- Extra reinforced steel cast body.
- Lightweight and strong design.
- 100% Holding negative-acting hydraulic brake system.
- Standard pressure roller and roller fairlead.
- Easy assembly, high rope capacity and high torque hydromotor
- Standard manual rope unloading system
- CE Machinery Directive 2006/42/EC
- Meets SAE J706 rating

Specifications

Max. pulling capacity (kg / lbs)	: 10000 kg (22040 lbs)
Max. rope length (m / ft)	: 51.3 m (168.2 ft)
Recommended wire rope (mm / in)	: 16 mm (7/11") 1960Mpa
Hydromotor (cc / in³)	: 160cc (10 in ³)
Max. pump flow (L / min - g / min)	: 60 L (15.8 g)
Gear ratio	: 28 : 1
Oil types and capacity	: 85W 90 - 2L
Max. working pressure (bar / psi)	: 145 bar (2103 psi)

Rope Winding Layer	Pulling Capacity kg / lbs	Rope Speed m / min - ft / min	Rope Length m / ft
1	10000 kg / 22040 lbs	6.3m/min - 20.6ft/min	10.2m / 33.5ft
2	8502 kg / 18739 lbs	7.4m/min - 24.2ft/min	21.9m / 71.8ft
3	7394 kg / 16298 lbs	8.5m/min - 27.9ft/min	35.8m / 117.4ft
4	6542 kg / 14420 lbs	9.6m/min - 31.5ft/min	51.3m / 168.2ft

Winch : (kg / lbs)

184 kg (405 lbs)

Roller Fairlead : (kg / lbs)

18 kg (39,6 lbs)

Cable Tensioner : (kg / lbs)

8 kg (17,6 lbs)

Mounting Bolts

16 pieces M16 8,8

Standards

Cable tensioner
Roller Fairlead
Manual Clutch

Hydraulic Inlets

G 1/2"

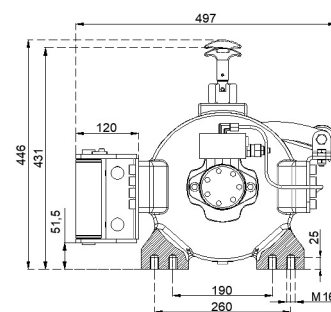
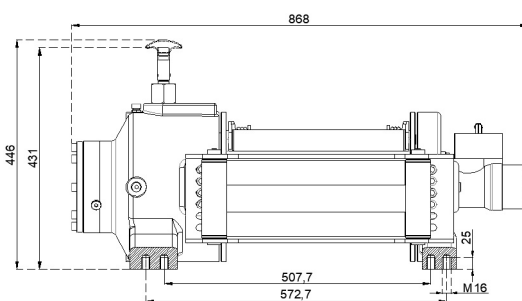
Optional

Air Clutch
IP67 - IP 68
Pneumatic Cable Tensioner

Warning !

- Before operating the winch, A-B lines must be open to T line (tank line) of the control valve in center position.
- This winch is designed and manufactured for pulling, don't lift person or material.
- Always keep last 5 wrap on the drum.
- The technical details given above are just for information.
- HAMMER WINCH keeps the right to change the technical details.
- Pneumatic working pressure: Min 9 bar - Max 12 bar (Min 130 psi - Max 174 psi)

Manual Clutch



Air Clutch

