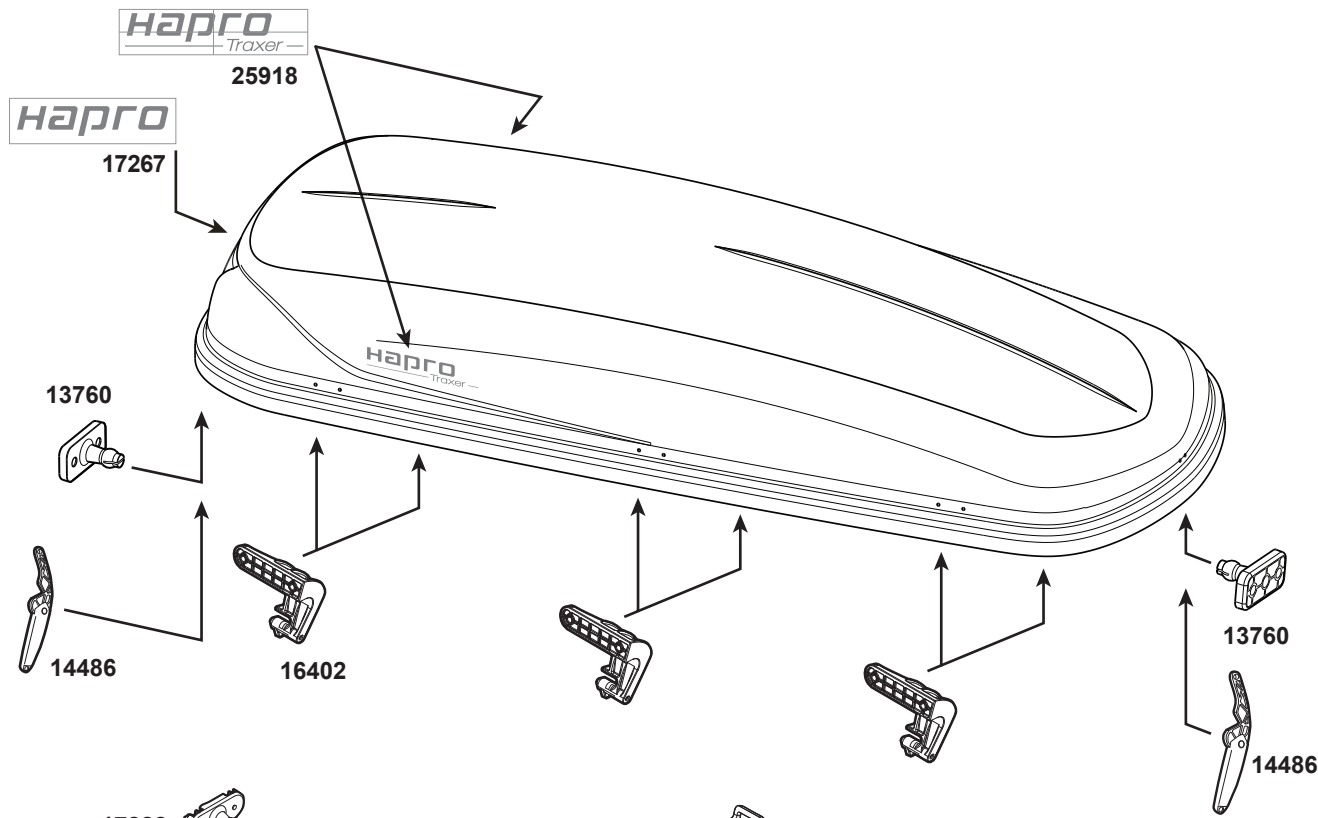


# 25909 - Traxer 8.6 Anthra/Anthra

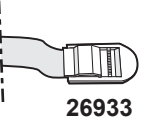
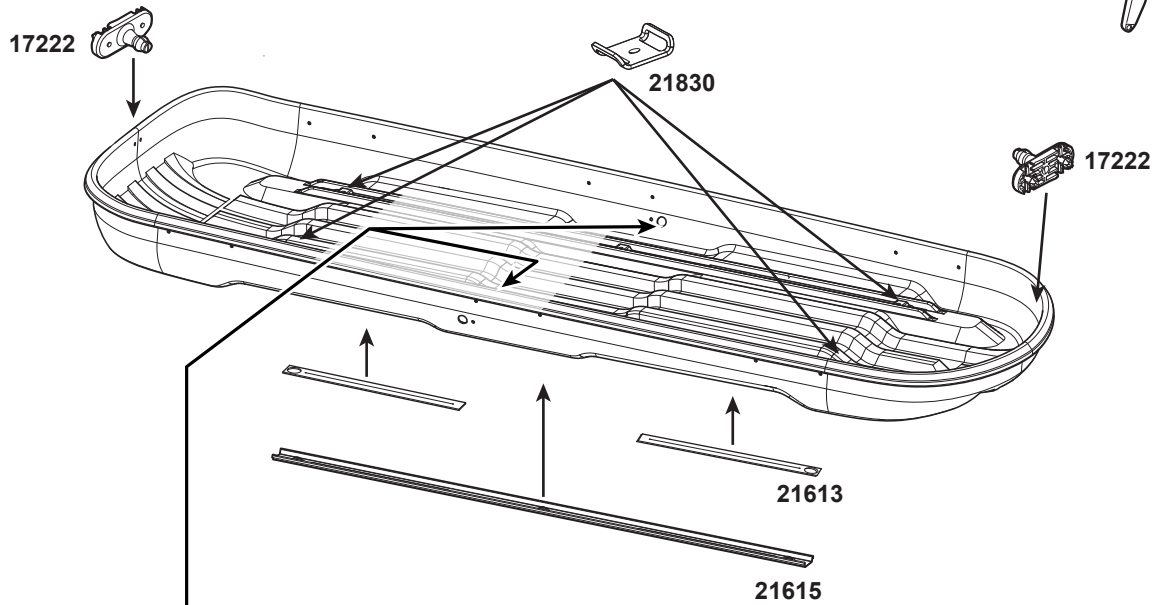
# Hapro



00029



00398



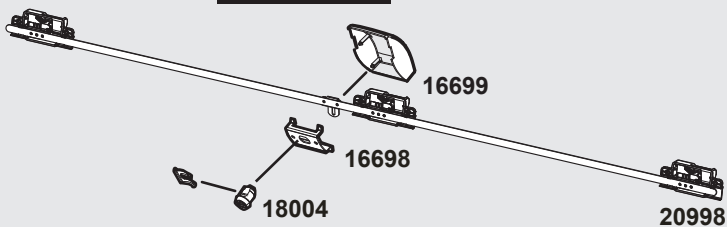
26933

MANUAL



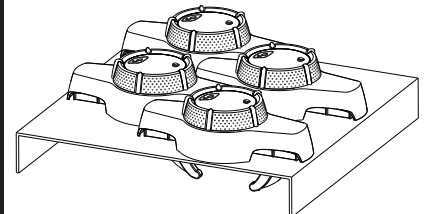
26685

## SYSTEM A



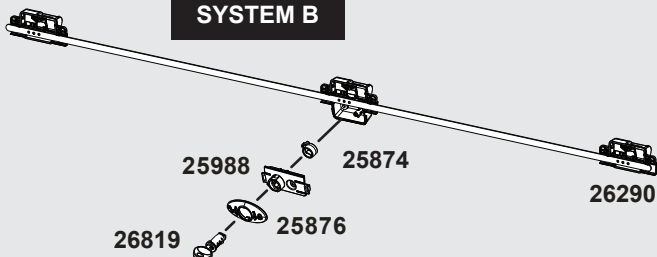
No.:

2	5		
---	---	--	--



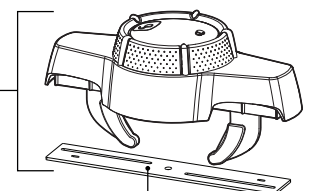
ART.NO: 27000

## SYSTEM B



No.:

2			
---	--	--	--



ART.NO: 21612

ART.NO: 27001